

T3571

**S/N 362811001
& above**

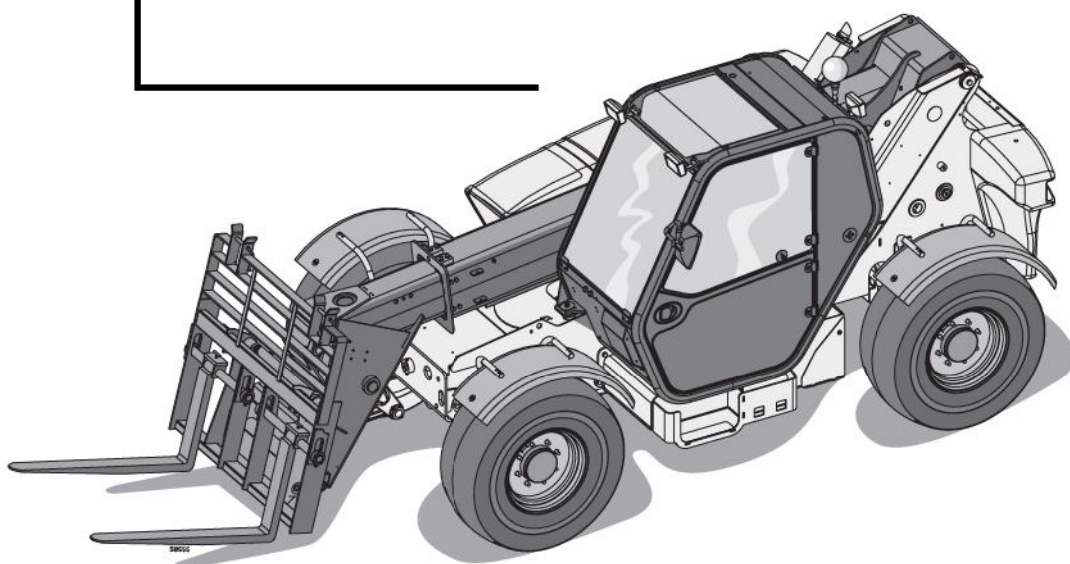
T3571L

**S/N 362911001
& above**



Bobcat®

SERVICE MANUAL



Doosan purchased Bobcat Company from Ingersoll-Rand Company in 2007. Any reference to Ingersoll-Rand Company or use of trademarks, service marks, logos, or other proprietary identifying marks belonging to Ingersoll-Rand Company in this manual is historical or nominative in nature, and is not meant to suggest a current affiliation between Ingersoll-Rand Company and Bobcat Company or the products of either.

CONTENTS

FOREWORD	II
SAFETY INSTRUCTIONS	V
SERIAL NUMBER LOCATIONS.....	VII
DELIVERY REPORT	VII
IDENTIFICATION OF THE TELESCOPIC HANDLER.....	VIII
SAFETY AND MAINTENANCE	10-01
HYDRAULIC SYSTEM.....	20-01
HYDROSTATIC SYSTEM.....	30-01
DRIVE SYSTEM.....	40-01
MAIN FRAME.....	50-01
ELECTRICAL SYSTEM AND ANALYSIS.....	60-01
ENGINE SERVICE.....	70-01
HEATING, VENTILATION, AIR CONDITIONING	80-01
SPECIFICATIONS	SPEC-01

**SAFETY &
MAINTENANCE**

**HYDRAULIC
SYSTEM**

**HYDROSTATIC
SYSTEM**

**DRIVE
SYSTEM**

MAIN FRAME

**ELECTRICAL
SYSTEM &
ANALYSIS**

**ENGINE
SERVICE**

HVAC

SPECIFICATIONS

Thank you so much for reading.
Please click the “Buy Now!”
button below to download the
complete manual.



After you pay.

You can download the most
perfect and complete manual in
the world immediately.

Our support email:

ebooklibonline@outlook.com