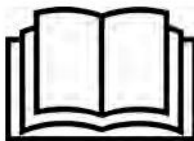
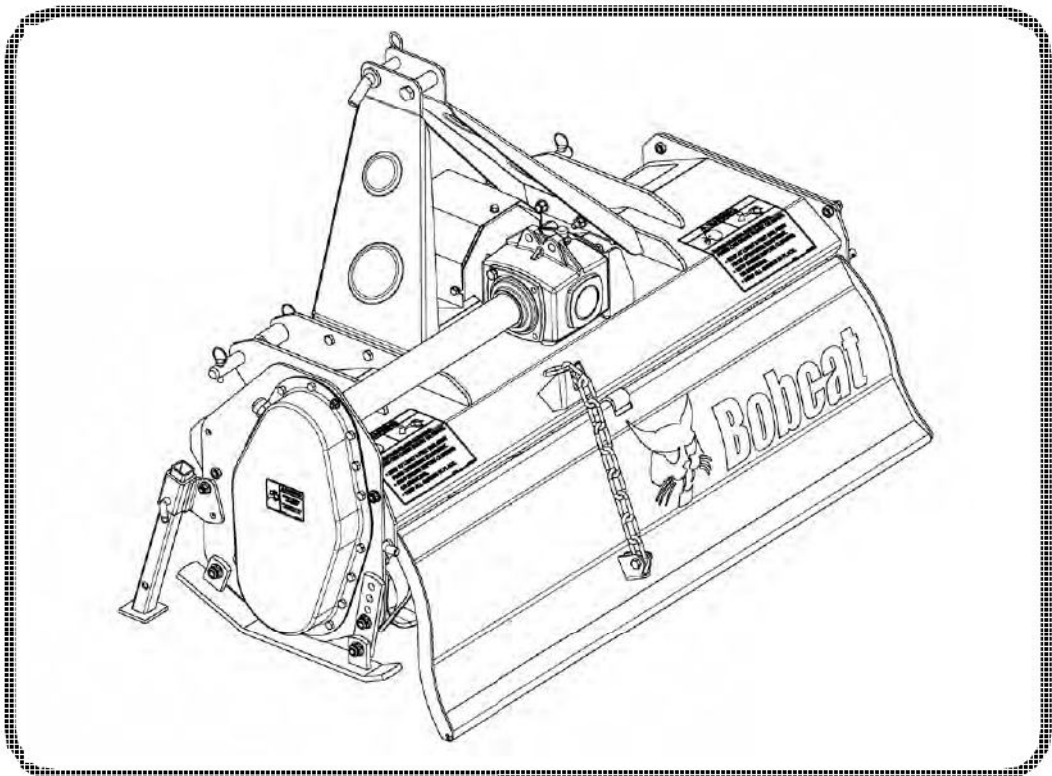




Bobcat®

Service Manual Three-Point Tiller

(TILLER 3TIL48) S/N ADL700101 & Above
(TILLER 3TIL60) S/N ADKY00101 & Above
(TILLER 3TIL74) S/N ADL400101 & Above



CONTENTS

SAFETY & MAINTENANCE	10-01
MAINFRAME	20-01
SPECIFICATIONS	SPEC-01
ALPHABETICAL INDEX	INDEX-01

Thank you so much for reading.
Please click the “Buy Now!”
button below to download the
complete manual.



After you pay.

You can download the most
perfect and complete manual in
the world immediately.

Our support email:

ebooklibonline@outlook.com