

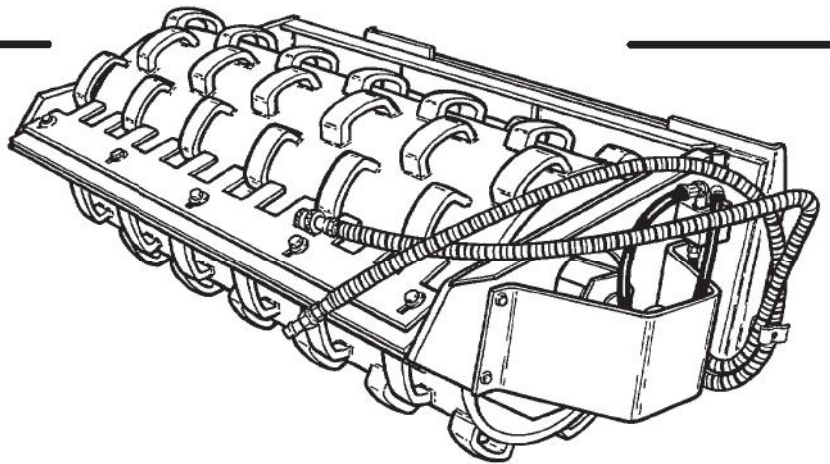


Bobcat®

Vibratory Roller

Service Manual

48 inch S/N 802900101 & Above
48 inch S/N 803400101 & Above
48 inch S/N 054800101 & Above
48 inch S/N 063100101 & Above
72 inch S/N 054900101 & Above
72 inch S/N 063200101 & Above



Doosan purchased Bobcat Company from Ingersoll-Rand Company in 2007. Any reference to Ingersoll-Rand Company or use of trademarks, service marks, logos, or other proprietary identifying marks belonging to Ingersoll-Rand Company in this manual is historical or nominative in nature, and is not meant to suggest a current affiliation between Ingersoll-Rand Company and Bobcat Company or the products of either.



CONTENTS

| | |
|-------------------------------------|---------|
| SERIAL NUMBER LOCATION | .iii .. |
| IDENTIFICATION | iv .. |
| PREVENTIVE MAINTENANCE | 10-10-1 |
| HYDRAULIC SYSTEM | 20-10-1 |
| MAIN FRAME | 30-10-1 |
| SPECIFICATIONS AND SCHEMATICS | 40-10-1 |

**PREVENTIVE
MAINTENANCE**

**HYDRAULIC
SYSTEM**

MAIN FRAME

**SPECIFICATIONS
AND
SCHEMATICS**

**CALIFORNIA
PROPOSITION 65 WARNING**

Diesel engine exhaust and some of its constituents are known to the State of California to cause cancer, birth defects and other reproductive harm.

Thank you so much for reading.
Please click the “Buy Now!”
button below to download the
complete manual.



After you pay.

You can download the most
perfect and complete manual in
the world immediately.

Our support email:

ebooklibonline@outlook.com