

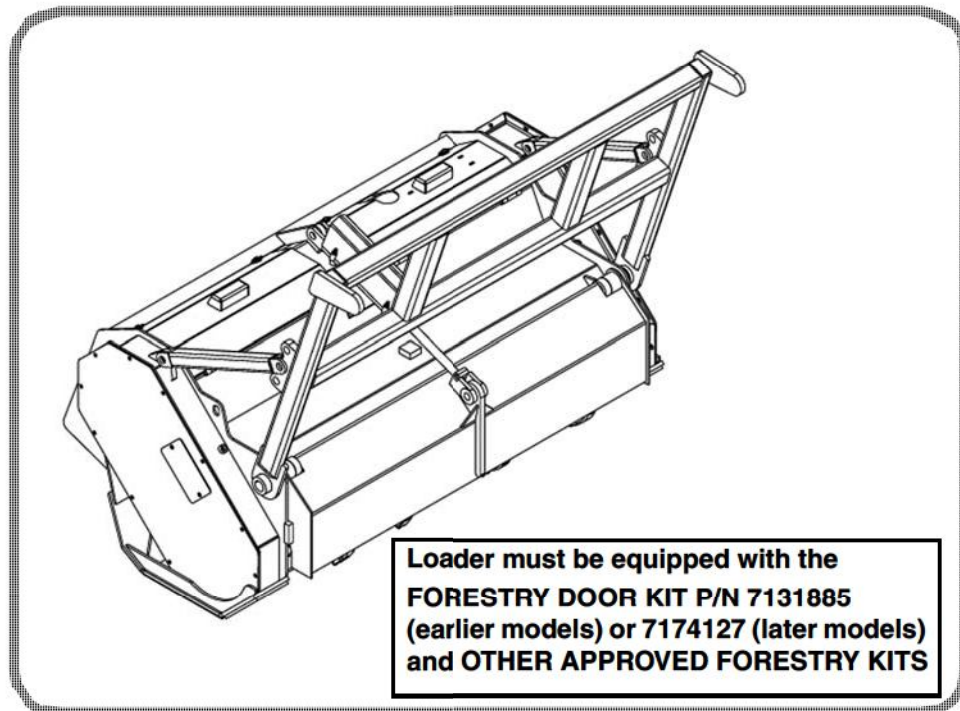


Bobcat®

Service Manual

Forestry Cutter

(FRST CTRR FRC50) S/N ADTN00101 & Above
(FRST CTRR FRC50) S/N ANR600101 & Above
(FRST CTRR FRC50 2SPD) S/N ATSY00101 & Above
(Forestry Cutter) S/N A6ZB00101 & Above
(FRST CTRR FRC60) S/N ANR500101 & Above
(FRST CTRR FRC60 2 SPD) S/N ATV100101 & Above



CONTENTS

SAFETY & MAINTENANCE	10-01
HYDRAULIC SYSTEM	20-01
MAINFRAME	30-01
SPECIFICATIONS	SPEC-01
ALPHABETICAL INDEX	INDEX-01

Thank you so much for reading.
Please click the “Buy Now!”
button below to download the
complete manual.



After you pay.

You can download the most
perfect and complete manual in
the world immediately.

Our support email:

ebooklibonline@outlook.com