



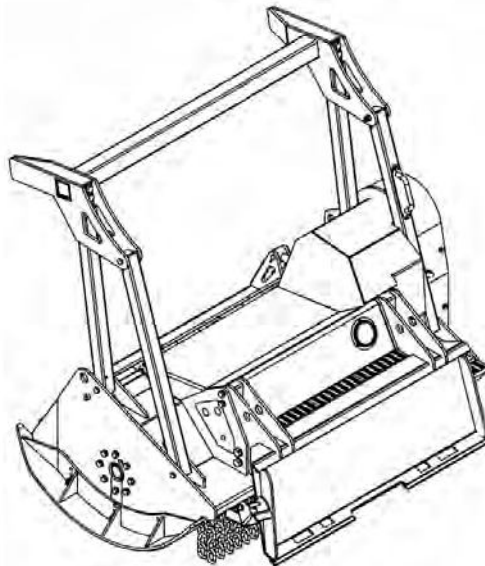
# Bobcat®

---

## Service Manual Forestry Cutter

---

**(FRST CTTR FRC150) AD8900101 & Above**



**Loader must be equipped with the FORESTRY DOOR KIT  
P/N 7131885 (earlier models) or 7174127 (later models)  
and OTHER APPROVED FORESTRY KITS**



## CONTENTS

SAFETY AND MAINTENANCE .....	10-01
HYDRAULIC SYSTEM .....	20-01
MAINFRAME .....	30-01
ELECTRICAL SYSTEM .....	40-01
SPECIFICATIONS .....	SPEC-01
ALPHABETICAL INDEX .....	INDEX-01

Thank you so much for reading.  
Please click the “Buy Now!”  
button below to download the  
complete manual.



After you pay.

You can download the most  
perfect and complete manual in  
the world immediately.

Our support email:

[ebooklibonline@outlook.com](mailto:ebooklibonline@outlook.com)