



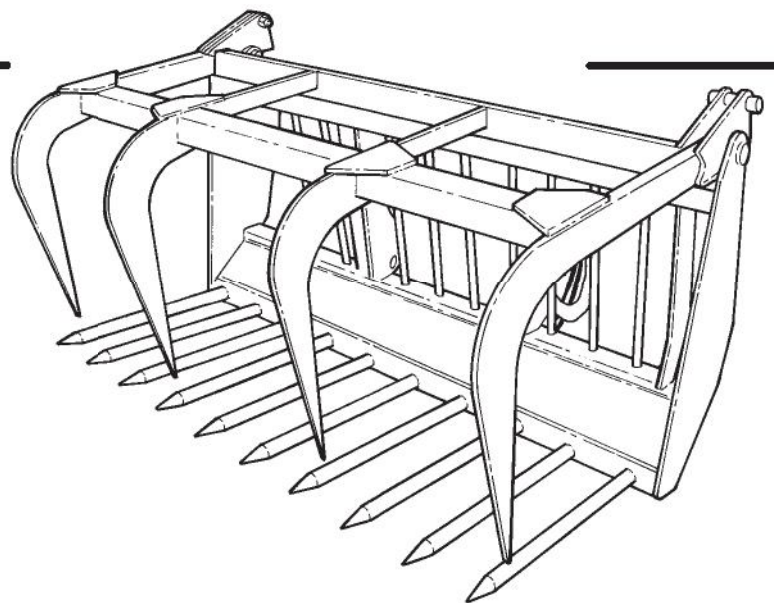
Bobcat®

Grapple

90" Fork &
90" Bucket

VersaHANDLER Attachment Service Manual

S/N 029100101 & Above
S/N 028900101 & Above



Doosan purchased Bobcat Company from Ingersoll-Rand Company in 2007. Any reference to Ingersoll-Rand Company or use of trademarks, service marks, logos, or other proprietary identifying marks belonging to Ingersoll-Rand Company in this manual is historical or nominative in nature, and is not meant to suggest a current affiliation between Ingersoll-Rand Company and Bobcat Company or the products of either.



Printed in U.S.A.

CONTENTS

SERIAL NUMBER LOCATIONiii . . .
PARTS IDENTIFICATIONiv . . .
SAFETY AND MAINTENANCE10-01
HYDRAULIC SYSTEM20-01
MAIN FRAME30-01
SPECIFICATIONS AND SCHEMATICS40-01

**SAFETY AND
MAINTENANCE**

**HYDRAULIC
SYSTEM**

**MAIN
FRAME**

**SPECIFICATIONS
AND
SCHEMATICS**

**CALIFORNIA
PROPOSITION 65 WARNING**

Diesel engine exhaust and some of its constituents are known to the State of California to cause cancer, birth defects and other reproductive harm.

Thank you so much for reading.
Please click the “Buy Now!”
button below to download the
complete manual.



After you pay.

You can download the most
perfect and complete manual in
the world immediately.

Our support email:

ebooklibonline@outlook.com