

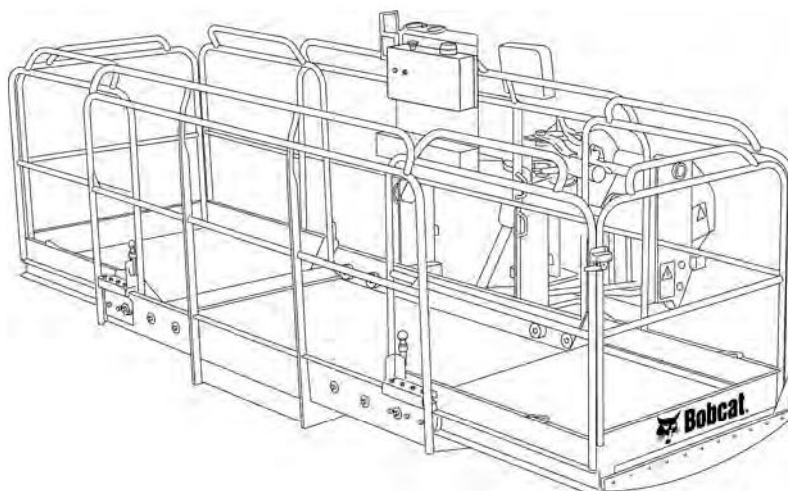
Man Platform

S/N A6SH 00101
& above



Bobcat®

Service Manual



Bobcat

Printed in Europe

CONTENTS

ATTACHMENT DELIVERY REPORT	iii
SERIAL NUMBER LOCATION	iii
IDENTIFICATION AND MACHINE SIGNS (DECALS)	iv
SAFETY AND MAINTENANCE	10-01
HYDRAULIC SYSTEM	20-01
MAIN FRAME	30-01
ELECTRICAL SYSTEM	40-01

**SAFETY AND
MAINTENANCE**

**HYDRAULIC
SYSTEM**

**MAIN
FRAME**

**ELECTRICAL
SYSTEM**

Thank you so much for reading.
Please click the “Buy Now!”
button below to download the
complete manual.



After you pay.

You can download the most
perfect and complete manual in
the world immediately.

Our support email:

ebooklibonline@outlook.com