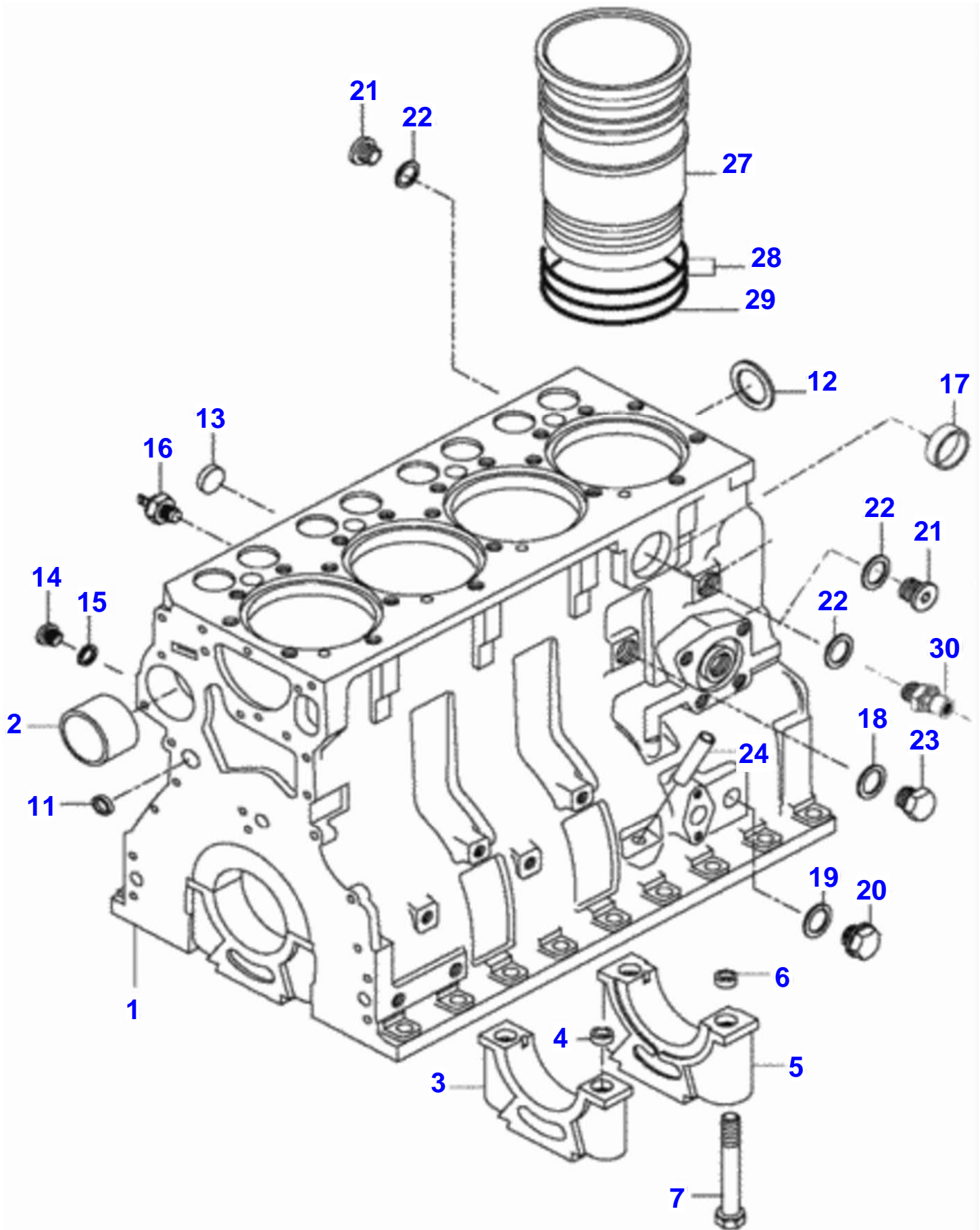


Page Title	Page Number
Cylinder Block	020-0010
Flywheel And Gear Rim	020-0015
Cylinder Head	020-0020
Valve Mechanism	020-0025
Crankshaft Mechanism	020-0030
Gear Housing	020-0035
Engine Oil Cooler	020-0040
Sump	020-0045
Air Filter	020-0050
Inlet And Exhaust Manifold	020-0055
Muffler	020-0060
Turbocharger	020-0065
Instalation Air Filter	020-0070
Oil Pan Protector	020-0075
Sedimentation Filter	020-0080
Feed Pump And Fuel Filter	020-0085
Injection Pump	020-0090
Throttle System	020-0095
Radiator	020-0100
Water Pump And Fan	020-0105
Gasket Set S1	020-0110
Gasket Kit S1 + S2	020-0115
Repair Kit	020-0120

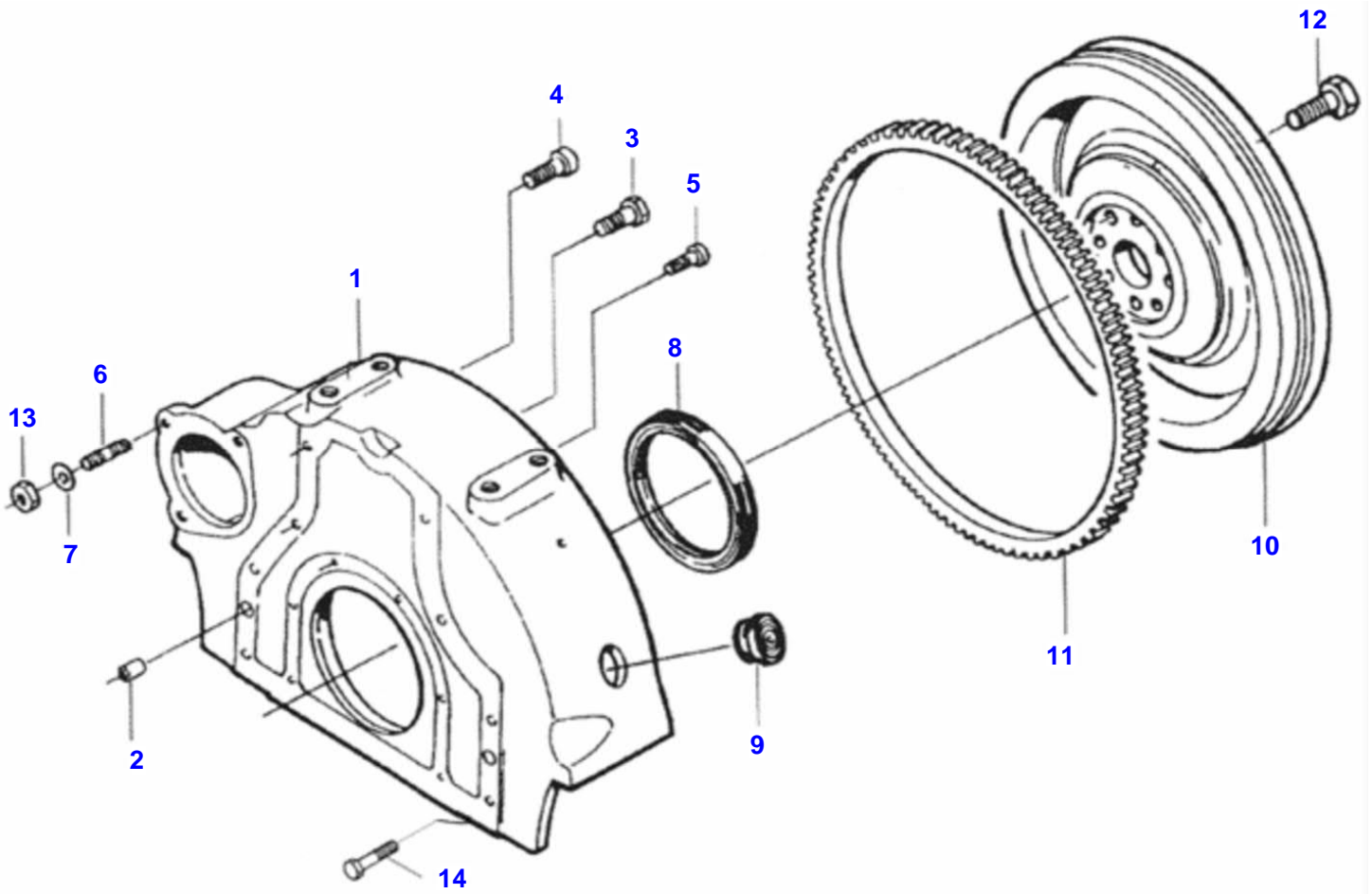
BM 100 GII TRACTOR (BR) - C010006
00003333



Cylinder Block

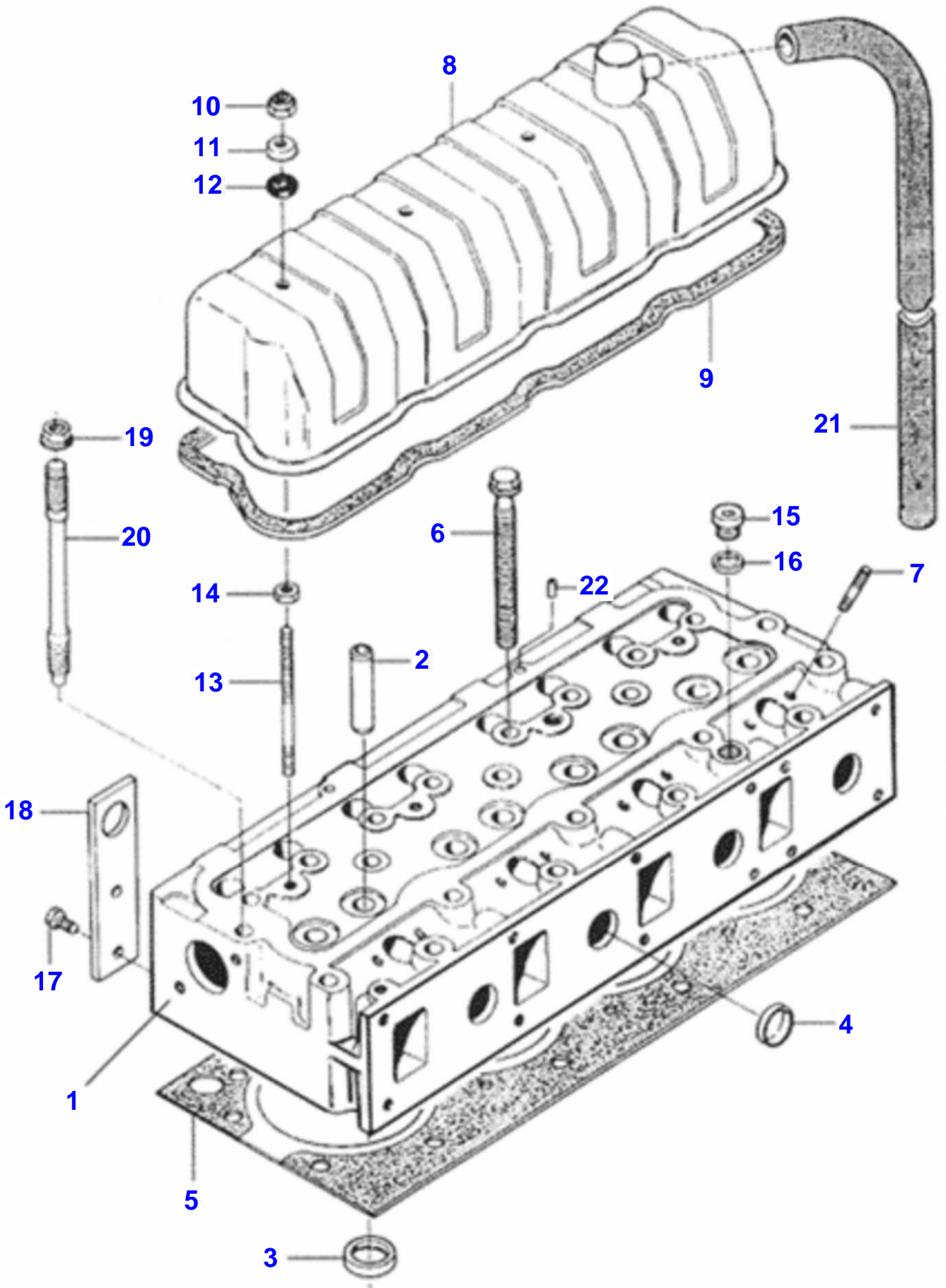
Item	Part Number	Qty	Description	Comments
1	V836766377	1	Assy	
2	V836866069	1	Bush	
3		4	Bearing Cover	[A]
4	V836214478	8	Guide Bushing	
5		1	Bearing Cover	[A]
6	V836214478	2	Guide Bushing	
7	V529903180	10	Screw	
11	V640016016	4	Plug	
12	V836529872	1	Pad	
13	V640016018	1	Plug	
14	VGR0261	2	Plug	
15	V615571014	3	Washer	
16	V887283760	1	Pressure Sensor	
17	V640016040	1	Plug	
18	VKH3617	1	Collet	
19	V615881216	1	Collet	
20	V640305012	5	Plug	
21	V640325018	2	Plug	
22	VKH4946	2	Collet	
23	V836019756	1	Plug	
24	V836014334	1	Pipe	
27	V836647933	4	Liner	flange 9,08 mm
	V836647935	4	Liner	flange 9,23 mm
	V836647934	4	Liner	flange 9,13mm
	V836647420	4	Cylinder Liner	Std - flange 9,0
28	V836647502	8	Collet	
29	V836647503	4	Collet	
30	V836119837	1	Connection	

FOOTNOTE [A] DELIVERED ONLY COMPLETE WITH BLOCK



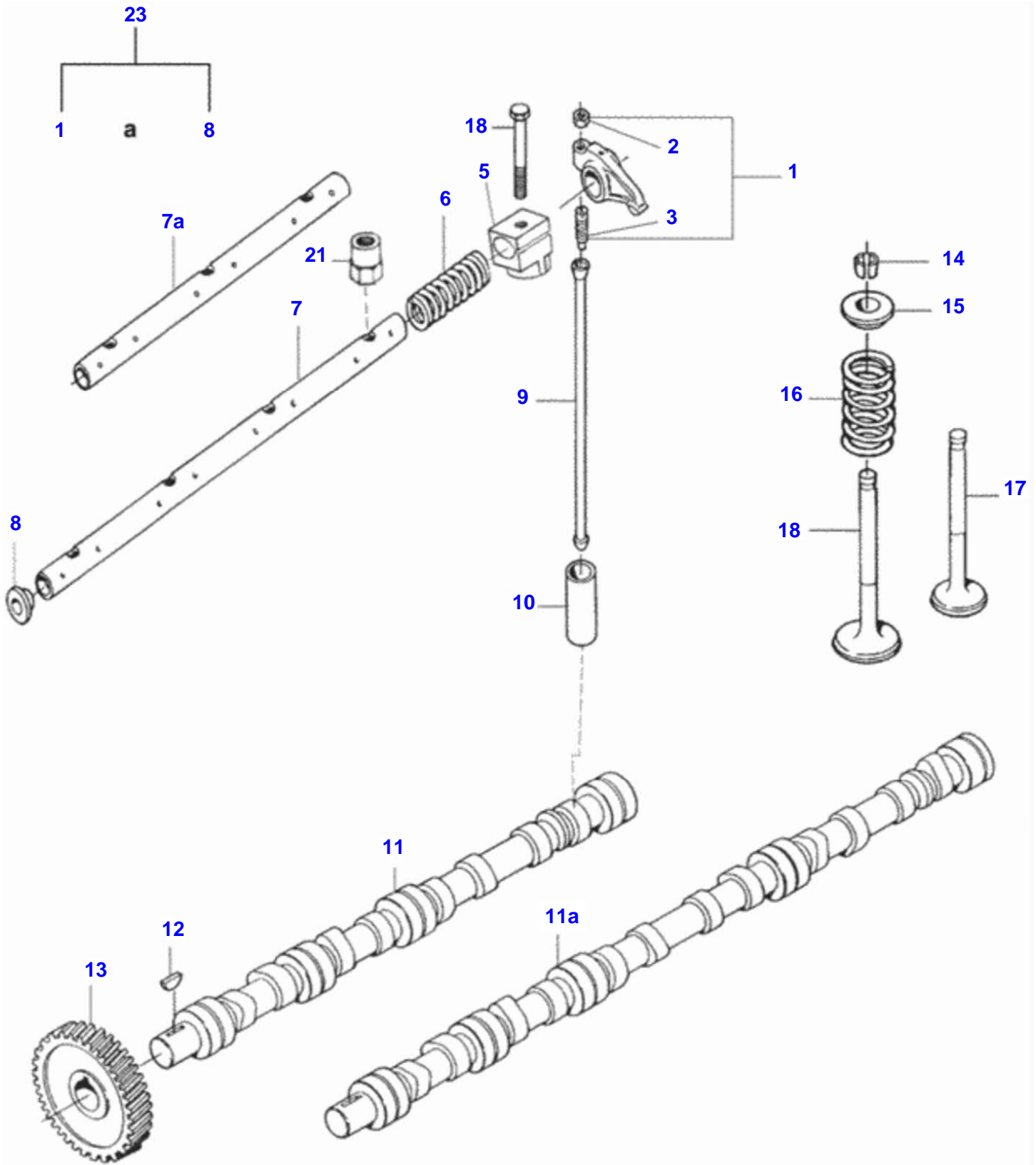
Flywheel And Gear Rim

Item	Part Number	Qty	Description
1	V836647443	1	Flywheel Housing
2	V598359850	1	Pin
3	V528902220	6	Bolt
4	V581705440	2	Bolt
5	V581705030	6	Screw
6	V546801800	3	Dog
7	V500951000	3	Washer
8	V614500002	1	Seal
9	V836007572	1	Plug
10	V836755038	1	Flywheel
11	V836117970	1	Starter Ring
12	V528902230	8	Screw
13	V504601000	3	Nut
14	VHC8519	2	Bolt



Cylinder Head

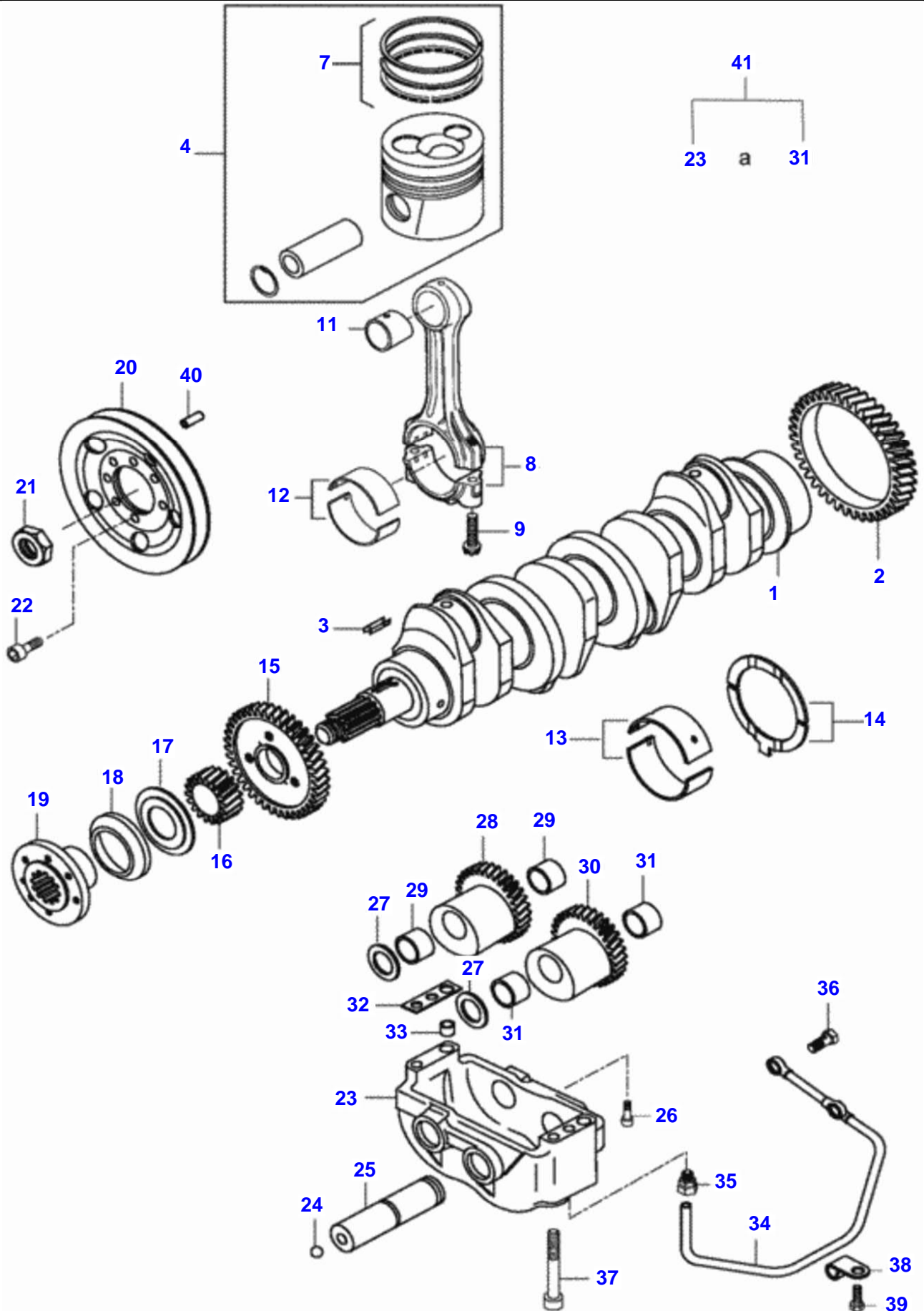
Item	Part Number	Qty	Description
1	V836755385	1	Head
2	V836673175	8	Valve Guide
3	V836647936	4	Valve Seat
	V836647600	4	Valve Seat
4	V836647942	7	Pad
5	V836766301	1	Cylinder
6	V836646383	20	Screw
7	V546901435	8	Dog
8	V836746361	1	Cover
9	V836746362	1	Gasket
10	VJB8905	4	Nut
11	V836119855	4	Washer
12	V836012841	4	Washer
13	V546801900	4	Dog
14	VJB1110	4	Nut
15	V640325018	1	Plug
16	V615881822	1	Collet
17	V528801380	4	Bolt
18	V836855349	2	Eyelet
19	V836859110	2	Nut
20	V836859109	2	Dog
21	V836755007	1	Hose
22	V595953360	2	Pin



Valve Mechanism

Item	Part Number	Qty	Description
1	V836667042	8	Complete
2	V512861000	8	Nut
3	V837069023	8	Bolt
5	V836666609	4	Bracket
6	V836655884	3	Spring
7	V836755871	1	Shaft
8	V837069020	2	Plug
9	V836655867	8	Rod
10	V836014264	8	Tappet
11	V836746375	1	Shaft
12	V603305760	1	Key
13	V836646389	1	Gear
14	V836646382	16	Valve Cotter
15	V836646381	8	Spring Plate
16	V836646380	8	Spring
17	V836646357	4	Valve Exhaust
18	V836646356	4	Valve Inlet
21	V836655406	4	Nut
23	V836767044	1	Valve

BM 100 GII TRACTOR (BR) - C010006
00002074

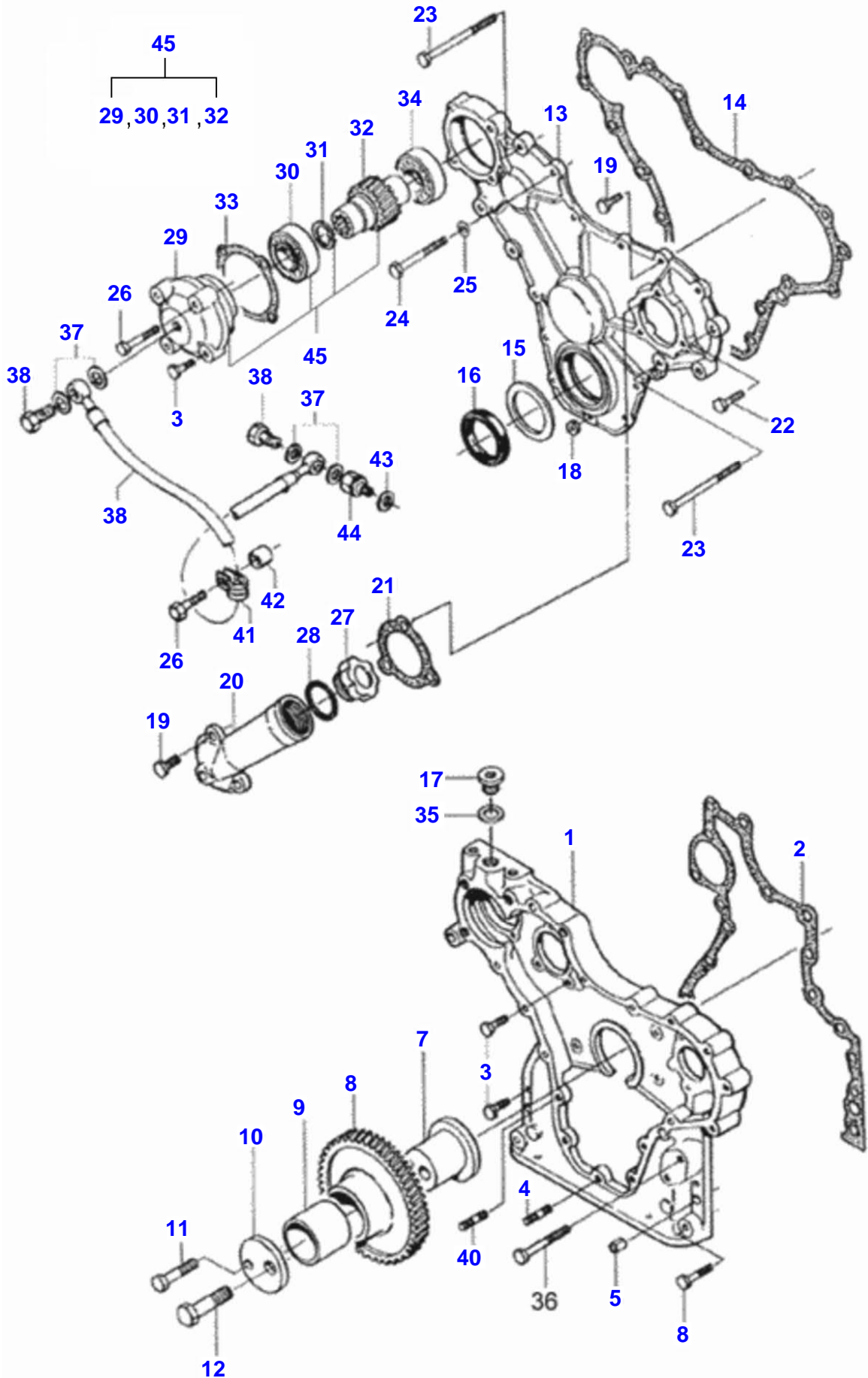


Crankshaft Mechanism

Item	Part Number	Qty	Description	Comments
1	V836752303	1	Crankshaft	
2	V836124524	1	Gear	
3	V603345110	1	Key	
4	V88605300	4	Complete Piston	
7	V836640126	4	Piston Ring Set	
8	V82659800	1	Kit, Conrod	
9	V836864141	8	Screw	
11	V836110646	4	Bush	
12	V836112767	4	Slider Bearing	1,50mm
	V836110552	4	Big End Bearing	[A]
	V836112762	4	Slider Bearing	0,25mm
	V836112763	4	Slider Bearing	0,50mm
	V836112765	4	Slider Bearing	1,00mm
13	V836655514	5	Big-end Bearing	[A]
	V836655536	5	Big-end Bearing	0,25mm
	V836655537	5	Big-end Bearing	0,50mm
	V836655539	5	Big-end Bearing	1,50mm
	V836655538	5	Big-end Bearing	1,00mm
14	V836120333	2	Washer	0,20mm
	V836120332	2	Washer	0,10mm
	V836119459	2	Washer	Standard
15	V836119550	1	Gear	
16	V836122840	1	Gear	
17	V836129781	1	Ring	
18	V836136271	1	Dustcap	
19	V836846463	1	Hub	
20	V836655449	1	Pulley	
21	V836647310	1	Nut	
22	V581804580	6	Bolt	
23	V836747348	1	Housing	
24	V616810103	2	Ball	
25	V836146879	2	Shaft	
26	V581804200	2	Bolt	
27	V836146880	4	Washer	
28	V836146877	1	Gear	
29	V836146876	2	Bush	
30	V836146878	1	Gear	
31	V836146876	2	Bush	
32	V836119920	X	Shim	
33	V598359850	2	Pin	
34	V836747478	1	Pipe	
35	V641016008	1	Connection	
36	V640435008	2	Bolt	
37	V581805170	2	Allen Bolt	
38	V602071608	1	Clamp	
39	VHA6313	1	Screw	
40	V595953360	1	Pin	
41	V836766123	1	Engine	

FOOTNOTE [A] STANDARD

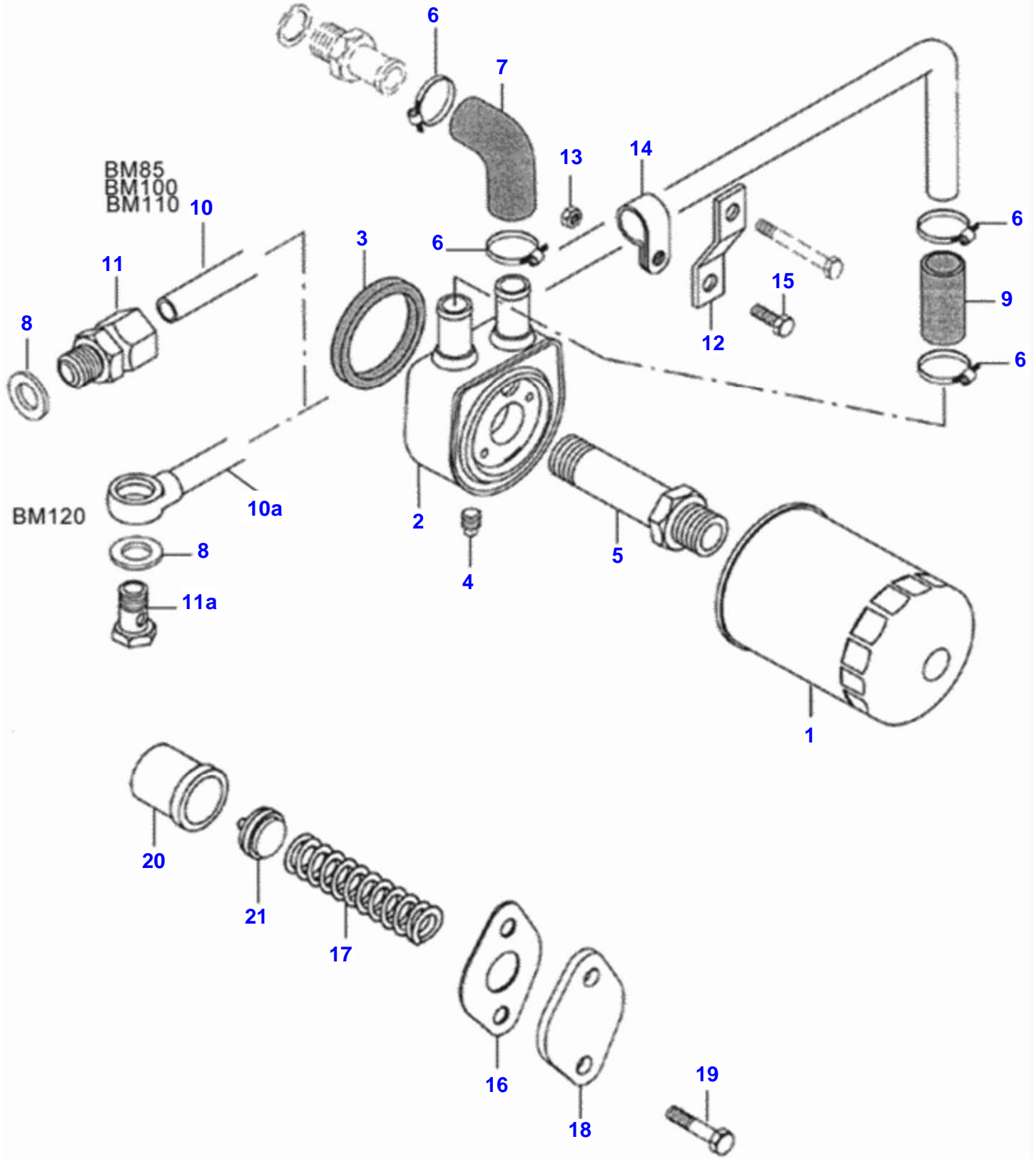
BM 100 GII TRACTOR (BR) - C010006
00000125



Gear Housing

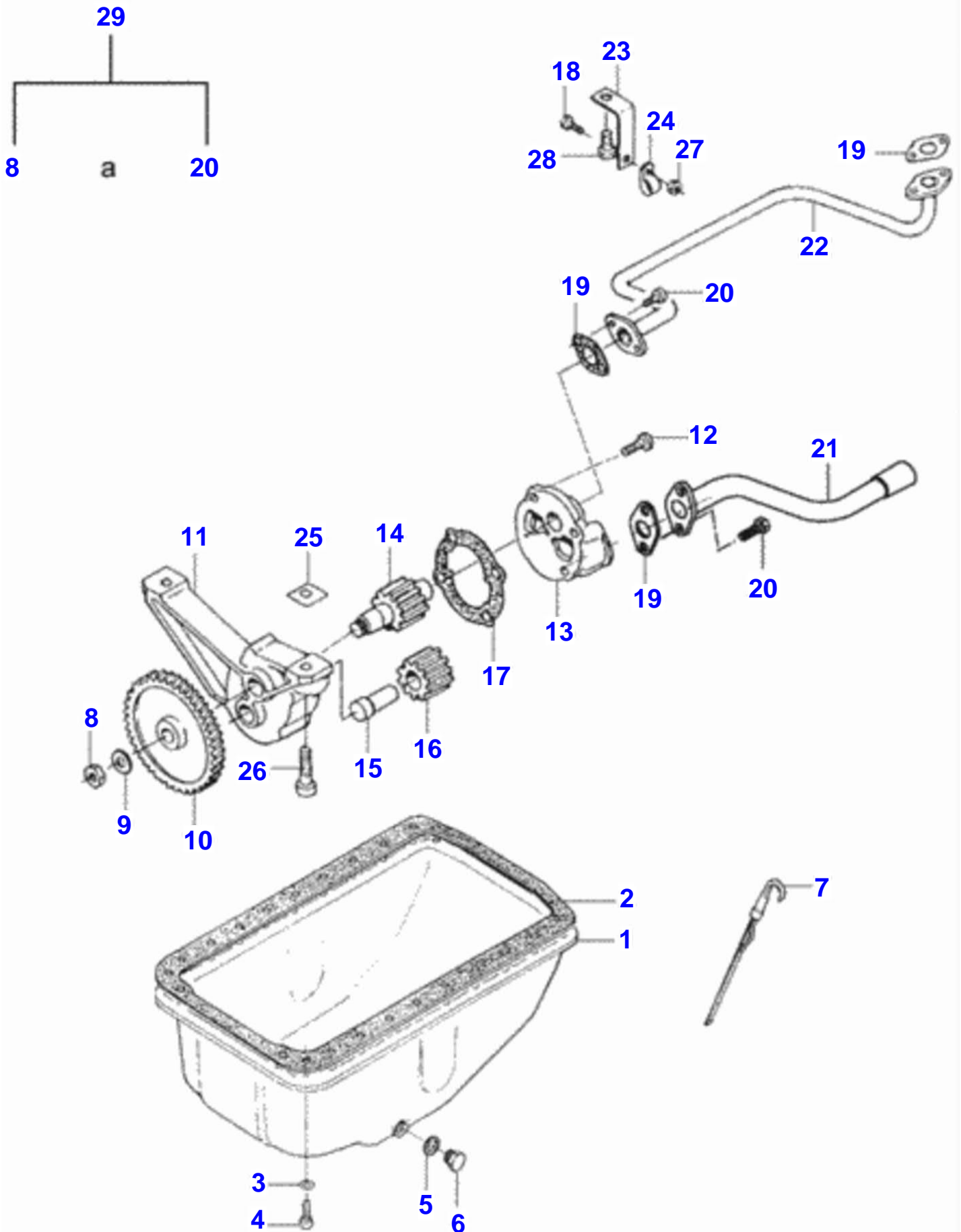
Item	Part Number	Qty	Description
1	V836652221	1	Timing Gear Case
2	V836647419	1	Gasket
3	VHA6324	10	Screw
4	V546801380	5	Dog
5	VJE8802	4	Pin
6	V529801440	2	Screw
7	V836138356	1	Shaft
8	V836138354	1	Gear
9	V836139039	1	Bush
10	V836129845	1	Flange
11	V529801910	1	Screw
12	V529902720	1	Screw
13	V836647575	1	Cover
14	V835336796	1	Gasket
15	V836129782	1	Collet
16	V614105880	1	Seal
17	V640325018	1	Plug
18	VJB1108	5	Nut
19	V528801380	5	Bolt
20	V836746921	1	Filler
21	V836129946	1	Gasket
22	VHA9230	3	Screw
23	V529801500	2	Screw
24	VHA8328	3	Screw
25	V836120989	1	Washer
26	V529801460	3	Screw
27	V836338733	1	Cover
28	V614604740	1	Collet
29	V836655230	1	Bearing Housing
30	VLA1014	1	Bearing
31	VKG3031	1	Circlip
32	V836122843	1	Shaft
33	V835336793	1	Gasket
34	VLA1014	1	Bearing
35	V615881822	1	Collet
36	VHA8327	1	Screw
37	V615870610	4	Washer
38	V82619400	2	Banjo Bolt
39	V82607600	1	Hose
40	V546801410	1	Dog
41	V602060612	1	Clamp
42	V836119296	1	Spacer
43	V615571014	1	Washer
44	V836655233	1	Connection
45	V836647725	1	Bearing

BM 100 GII TRACTOR (BR) - C010006
00000304



Engine Oil Cooler

Item	Part Number	Qty	Description
1	V836647133	1	Oil Filter
2	V836129315	1	Oil Cooler
3	V835331586	1	Seal
4	V836131366	1	Plug
5	V836647405	1	Connection
6	VGP3910	4	Clamp
7	V836747124	4	Hose
8	VKH3617	1	Collet
9	V836129978	1	Hose
10	V836747848	1	Pipe
11	V641086015	1	Connection
12	V836847930	1	Bracket
13	VJB1108	1	Nut
14	V602074615	1	Clamp
15	VHA6323	1	Screw
16	V836322190	1	Gasket
17	V836659523	1	Spring
18	V836129849	1	Cover
19	VHA9230	2	Screw
20	V836659521	1	Retention
21	V836659522	1	Plate



Sump

Item	Part Number	Qty	Description	Comments
1	V836128794	1	Oil Sump	
2	V836107726	1	Gasket	S2
3	V500950800	22	Washer	
4	VHC9325	22	Allen Bolt	
5	VKH3617	1	Collet	S2
6	V836019756	1	Plug	
7	V836014330	1	Measuring	
8	V504861000	1	Nut	
9	V836122910	1	Washer	
10	V836338667	1	Gear	
11	V836120195	1	Housing	
12	V528801380	4	Bolt	
13	V836119794	1	Cover	
14	V836652600	1	Gear	
15	V836120191	1	Shaft	
16	V836120193	1	Gear	
17	V836119796	1	Gasket	S2
18	VHA6323	1	Screw	
19	V836008449	3	Gasket	S2
20	VHC9326	6	Screw	
21	V836759171	1	Pipe	
22	V836746457	1	Pipe	
23	V836746572	1	Bracket	
24	V602074618	1	Clamp	
25	V836007871	X	Spacing Plate	
26	VHC8338	2	Screw	
27	VJB1108	1	Nut	
28	VHA9234	1	Bolt	
29	V836652603	1	Built Oil Pump	

Thank you so much for reading.
Please click the “Buy Now!”
button below to download the
complete manual.



After you pay.

You can download the most
perfect and complete manual in
the world immediately.

Our support email:

ebooklibonline@outlook.com