

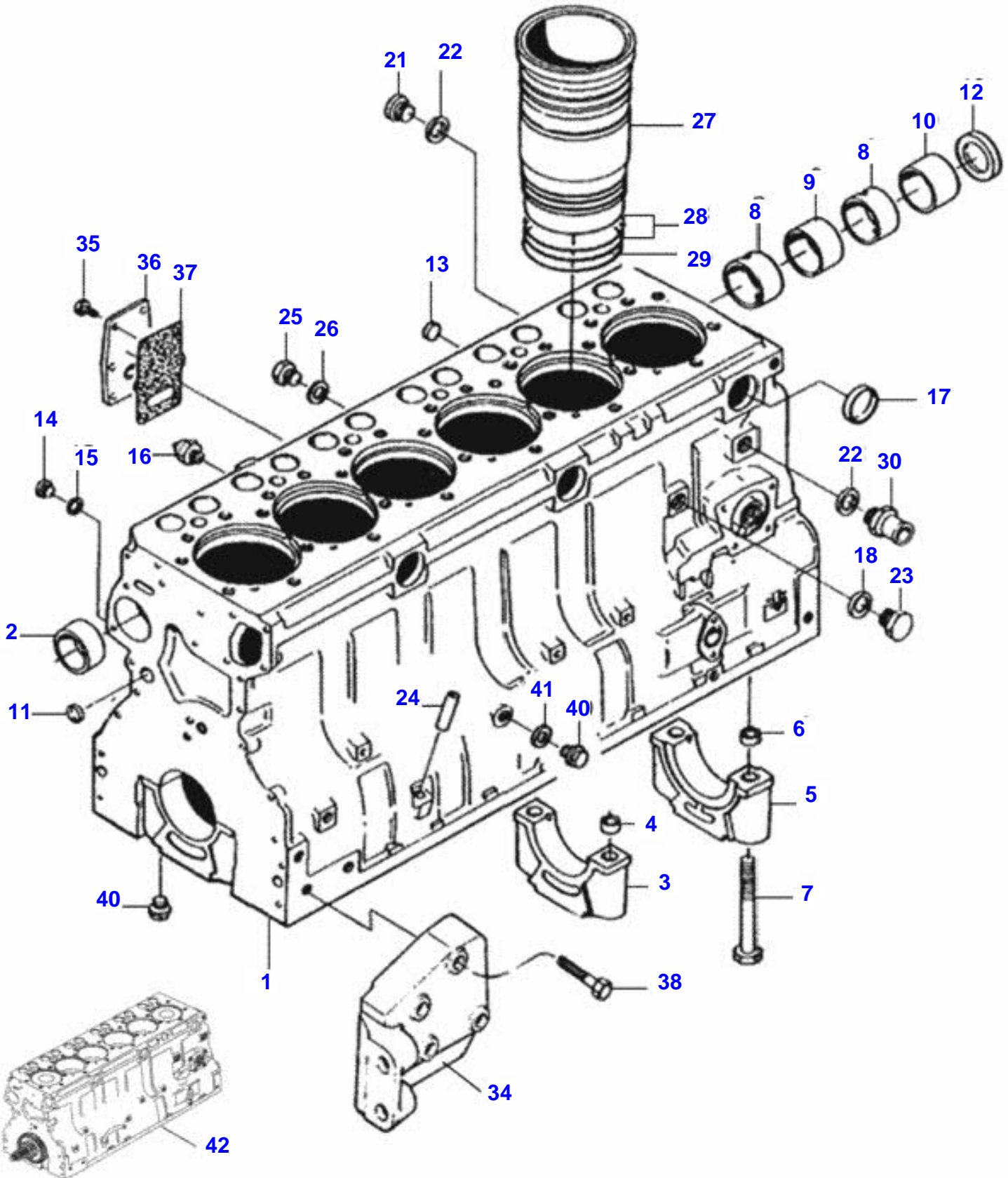
Page Title	Page Number
ADHESIVES (PORTUGUESE)	100-01-109
ADHESIVES (SPANISH)	100-01-112
ADHESIVES (ENGLISH)	100-01-115
ADHESIVES (PORTUGUESE)	100-02-110
ADHESIVES (SPANISH)	100-02-113
ADHESIVES (ENGLISH)	100-02-116
ADHESIVES (PORTUGUESE)	100-03-111
ADHESIVES (SPANISH)	100-03-114
ADHESIVES (ENGLISH)	100-03-117
ADHESIVES (PORTUGUESE)	100-04-2168
ADHESIVES (SPANISH)	100-04-2171
ADHESIVES (ENGLISH)	100-04-2174
ADHESIVES (PORTUGUESE)	100-05-2169
ADHESIVES (SPANISH)	100-05-2172
ADHESIVES (ENGLISH)	100-05-2175
ADHESIVES (PORTUGUESE)	100-06-2170
ADHESIVES (SPANISH)	100-06-2173
ADHESIVES (ENGLISH)	100-06-2176
TOLL'S BOX	101-01-108
ADHESIVES (ENGLISH)	102-07-2202
CYLINDER BLOCK	021-02-118
FLYWHEEL AND GEAR RIM	021-04-262
CYLINDER HEAD	021-06-122
VALVE MECHANISM	021-07-123
CRANKSHAFT MECHANISM	021-10-281
GEAR HOUSING	021-11-125
ENGINE OIL COOLER	021-12-126
SUMP	021-15-791
AIR FILTER	021-16-128
INLET AND EXHAUST MANIFOLD	021-17-129
MUFFLER	021-18-130
INSTALATION AIR FILTER	021-20-148
SEDIMENTATION FILTER	022-01-132
FEED PUMP AND FUEL FILTER	022-02-133
INJECTION PUMP	022-04-136
THROTTLE SYSTEM	022-05-137
RADIATOR	023-01-138
WATER PUMP AND FAN	023-03-140
GASKET KIT- S1 +S2	028-03-1486
REPAIR KIT	028-05-2225
STARTER MOTOR - BOSCH	031-01-29
STARTER MOTOR- 4,2K W	031-02-2058
ALTERNATOR - 55A	031-03-150
ALTERNATOR BOSCH - 90A	031-05-1284
REAR ELETRICAL SYSTEM FOR CAB	032-01-157
REAR ELETRICAL SYSTEM FOR CAB	032-03-155
INSTRUMENTS	032-04-151
LIGHTS	032-05-152
PANEL ELETRIC SYSTEM	032-06-153
FRONT ELETRIC SYSTEM	032-07-154

## TABLE OF CONTENTS

ROTATING LIGHT (OPTIONAL EQUIPMENT)	039-01-162
RADIO (OPTIONAL )	039-02-1350
FRONT WINDOW WIPER AND WASHER (OPTIONAL)	039-03-302
REAR WINDOW WIPER AND WASHER	039-04-38
REAR FOG LIGHT (OPTIONAL)	039-05-159
LIGHT NUMBER PLATE	039-07-160
CLUTCH	041-02-164
HOUSING GEAR BOX AND DRIVE SYSTEM	042-01-165
GEAR SHIFT LEVERS	042-02-166
COUNTERSHAFT	042-03-169
MAINSHAFT	042-04-168
BEVEL CONICAL PINION SHAFT	042-05-170
BEVEL CONICAL PINION SHAFT (TAB)	042-06-301
TRANSMISSION DIFFERENTIAL	042-07-167
VALVE PLATE	042-08-171
TRANSMISSION COOLING	042-10-173
MULTITORQUE CONTROL	044-01-174
SHIFT ON THE GO UNDER DRIVE	044-02-175
SHIFT ON THE GO UNDER DRIVE	044-03-176
POWER TAKE OFF 540 RPM	046-01-177
POWER TAKE OFF 540 - 1000 RPM	046-02-178
POWER TAKE OFF 540 RPM PROPORCIONAL	046-03-179
REAR HOUSING AND PTO LEVER	046-04-180
REAR COVER	046-05-181
SERVICE BRAKE CONTROL DRIVE	051-01-57
DIFFERENTIAL LOCK DRIVE	051-02-183
BRAKE CONTROL DRIVE	051-03-184
FINAL DRIVE	052-01-182
STEERING WHEEL COLUMN	061-01-185
HYDRAULIC STEERING (4x4)	061-04-775
HYDROSTATIC STEERING UNIT DANFOSS	061-07-189
FRONT DRIVE SELECTING LEVER	063-01-192
FRONT AXLE DANA (4x4)	064-02-194
BEVEL GEAR, PINION AND DOUBLE JOINT - DANA	064-03-195
DIFFERENTIAL DANA	064-04-196
PLANETARY GEAR HOUSING AND WHEEL HUB - DANA	064-05-197
STEERING CYLINDER AND ARM - DANA	064-06-198
FRONT AND REAR BEARINGS, ZF AXLE - APL 350	065-02-469
FRONT DRIVE AXLE ZF APL350	065-03-922
DOUBLE JOINT - AXLE ZF APL350	065-04-492
FRONT AXLE CASING ZF AS3050	065-05-1527
CROWN GEAR/BEVEL PINION SHAFT AND REAR SUPPORT - ZF AS3050	065-06-1528
DIFFERENTIAL - ZF AS3050	065-07-1529
JOINT HOUSING - ZF AS3050	065-08-1530
PLANETARY GEAR - ZF AS3050	065-09-1531
STEERING CYLINDER - ZF AS3050	065-10-1532
SHAFT UNIVERSAL GROUP - CARDAN STD	065-11-1904
FUEL TANK	071-02-214
FRONT WHEEL (4x4)	072-02-210
REAR WHEEL	072-04-862
REAR WHEEL (OPTIONAL)	072-05-212
DOUBLE REAR WHEEL 13.6 X 38, 14.9 X 28	072-06-1545

BUFFER AND FRONT COUNTERWEIGHT	079-01-205
REAR WHEEL COUNTERWEIGHTS (TYRE 18.4 x 34,18.4 x 30 and 13.6 x 38) )	079-03-208
REAR WHELL COUNTERWEIGHTS (TYRE 23.1 x 26 e 23.1 x 30))	079-04-1364
REAR WHEEL COUNTERWEIGHT - ACCESSORY	079-05-1367
ROOF	081-01-226
CAB FRAME	081-02-222
DOOR AND GLASS OF THE CAB	081-03-224
WINDSCREEN	081-04-223
REAR WINDOW AND GLASS OF THE CAB	081-05-225
CAB INSULATOR	081-06-220
INSULATING AND COATING FOR CAB	081-07-221
OLD SEAT MODEL	081-08-230
SEAT (PART 1)	081-09-1287
SEAT (PART 2)	081-10-1286
SEAT (PART 3)	081-11-1285
FRONT AND REAR MUDGUARDS	081-13-1533
INSTRUMENTS PANEL	082-01-215
OPEN CAB	083-01-218
FRONT SHIELDS	083-03-217
SAFETY FRAME AND ROOF (OPTIONAL )	089-01-219
AIR CONDITIONING (OPTIONAL)	089-03-1534
HEATING UNIT	089-04-227
HYDRAULIC PUMP	091-01-240
HYDRAULIC PUMP AND PIPE SYSTEM	091-03-1537
HYDRAULIC PUMP AND PIPE SYSTEM	091-05-1558
LIFT ARM	091-06-233
UPPER LINK ROD AND SENSITIVITY SYSTEM	091-07-234
LIFT CONNECTION AND STABILIZER	091-08-235
LIFT CYLINDER	091-09-241
TRAILER HITCH	091-10-242
BY-PASS AND PRESSURE RELIEF VALVE	092-01-232
DIRECTIONAL CONTROL VALVE - NEW	092-02-1538
HYDRAULIC CONTROL LEVERS AND CONTROL	093-01-231
DIRECTIONAL CONTROL VALVE - ANTIQUE	093-03-243

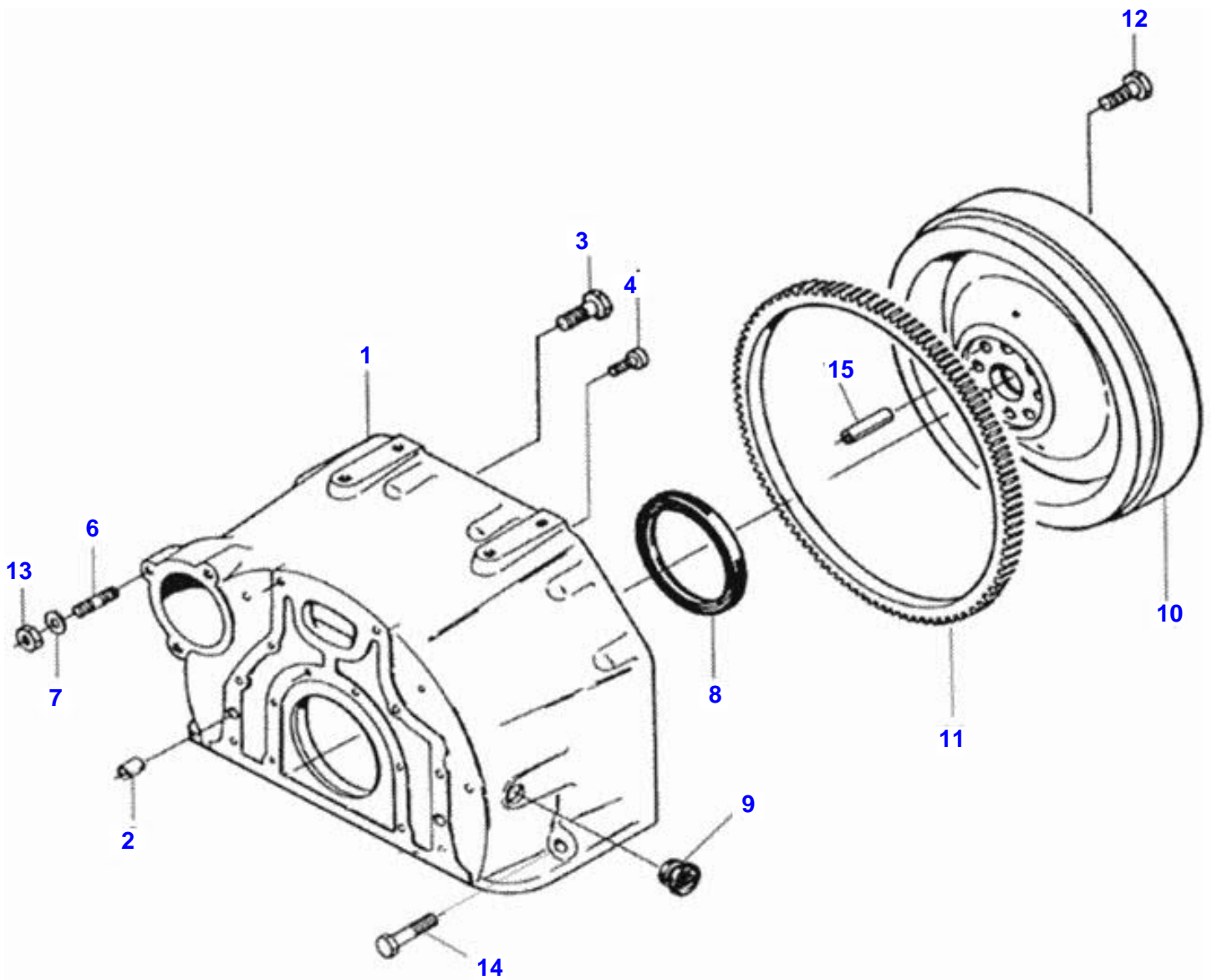
BM120 TRACTOR (BRAZIL)  
CYLINDER BLOCK



## CYLINDER BLOCK

Item	Part Number	Qty	Description	Comments
1	V837070103	1	Cylinder block	Ref. 2 - 10
2	V836866069	1	Bushing	
3	V	6	Bearing cover	*
4	V836214478	12	Guide bushing	
5	V	1	Bearing cover	*
6	V836214478	2	Guide bushing	
7	V529903180	14	Screw	
8	V836852460	2	Bushing	
9	V836852459	1	Bushing	
10	V836852461	1	Bushing	
11	V640016016	4	Plug ring cylinder block	
12	V836852744	1	Plug	
13	VGR5111	3	Plug	
14	VGR0261	3	Plug	
15	V615571014	3	Seal ring	
16	V887283760	1	Pressure switch	
17	V640016040	3	Plug	
18	VKH3617	1	Seal ring	
21	V640325018	1	Plug	
22	VKH4946	2	O-ring	
23	V836019756	1	Plug	
24	V836014334	1	Pipe	
25	VGR0277	1	Plug	
26	VKH3635	1	Seal ring	
27	V836647934	6	Cylinder liner	Flange 9,13 mm
	V836647935	6	Cylinder liner	Flange 9,23 mm
	V836647933	6	Cylinder liner	Flange 9,08 mm
	V836673191	6	Cylinder liner	Ref. 27 e 28
28	V836647502	12	O-ring, cylinder liner	
29	V836647503	8	O-ring, cylinder liner	
30	V82615500	1	Pipe	
34	V82055800	1	Right support	
	V836852656	1	Left support	
35	VHC9326	6	Screw	
36	V836846444	1	Cover	
37	V836322852	1	Gasket cover	
38	V529802682	8	Screw	
40	V640305012	7	Plug	
41	V615881216	1	O-ring	
42	V88659600	1	Shot engine	
			Delivered only complete with block	

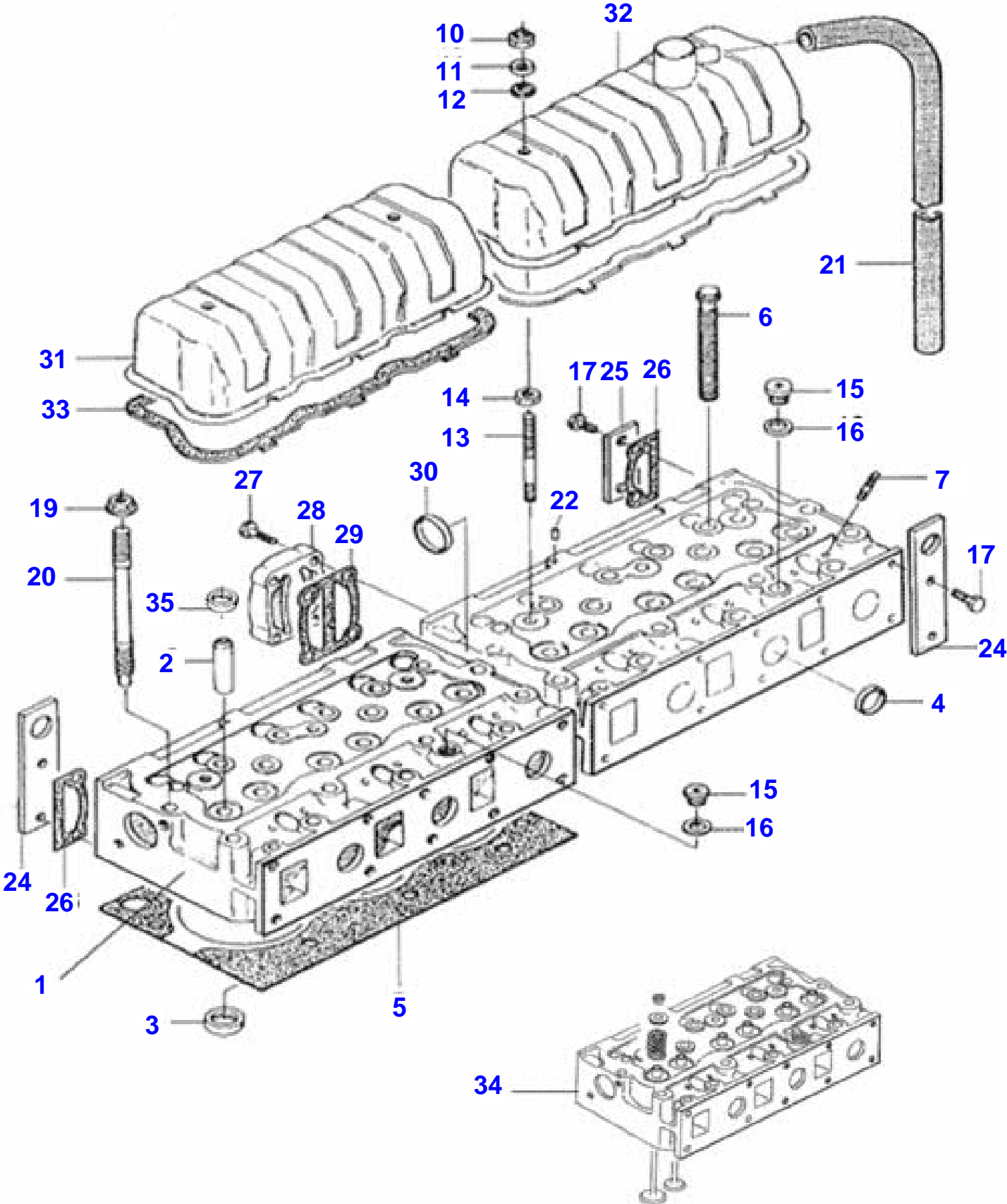
BM120 TRACTOR (BRAZIL)  
FLYWHEEL AND GEAR RIM



## FLYWHEEL AND GEAR RIM

Item	Part Number	Qty	Description
1	V836647439	1	Flywheel housing
2	V598359850	2	Pin
3	V52890220	15	Screw
4	V581705030	6	Screw
6	V546801800	1	Stud bolt
7	V500951000	3	Washer
8	V614500002	1	Oil seal, crankshaft
9	V836007572	1	Plug
10	V82609500	1	Flywheel and housing
11	V835328783	1	Gear rim
12	V528902230	8	Screw
13	V504601000	3	Nut
14	VHC8519	2	Screw
15	V595955060	1	Pin

BM120 TRACTOR (BRAZIL)  
CYLINDER HEAD

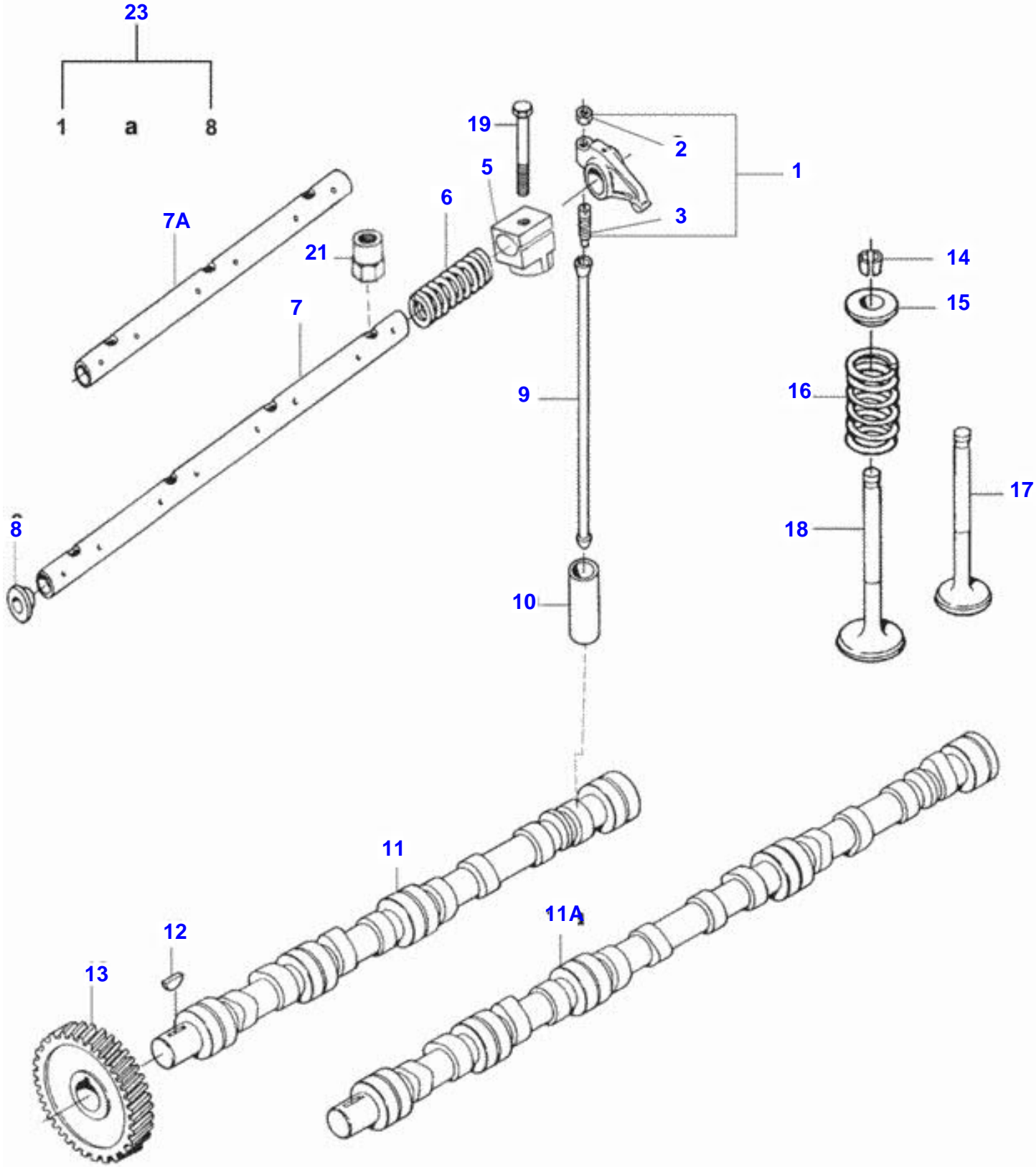




## CYLINDER HEAD

Item	Part Number	Qty	Description	Comments
1	V836855381	2	Cylinder head	Novo
2	V836673175	12	Valve guide	
3	V836647600	6	Valve seat	
	V836647936	6	Intake valve	
4	V836647942	10	Cover	
5	V837070290	2	Cylinder head gasket	
6	V836859104	32	Screw	
7	V546901435	12	Stud bolt	
10	VJB8905	4	Nut	
11	V836119855	4	Washer	
12	V836012841	4	Rubber washer	
13	V546801900	4	Stud bolt	
14	VJB1110	4	Nut	
15	V640325018	2	Plug	
16	V836859110	2	Nut	
17	VHA6323	6	Screw	
19	V836859110	2	Nut	
20	V836859109	2	Stud bolt	
21	V836755007	1	Hose	
22	V595959140	2	Pressure pin	
24	V836855349	2	Suspension lifteye	
25	V836855350	1	Cover	
26	V836867753	2	Gasket	
27	V528801820	4	Screw	
28	V836855348	1	Connecting part	
29	V836866214	1	Gasket	
30	V640016045	1	Cover	
31	V836846448	1	Cover	
32	V836646359	1	Cover	
33	V836646360	2	Gasket valve cover	
34	V89605400	2	Assy cylinder head	
35	V837073166	1	Oil seal	

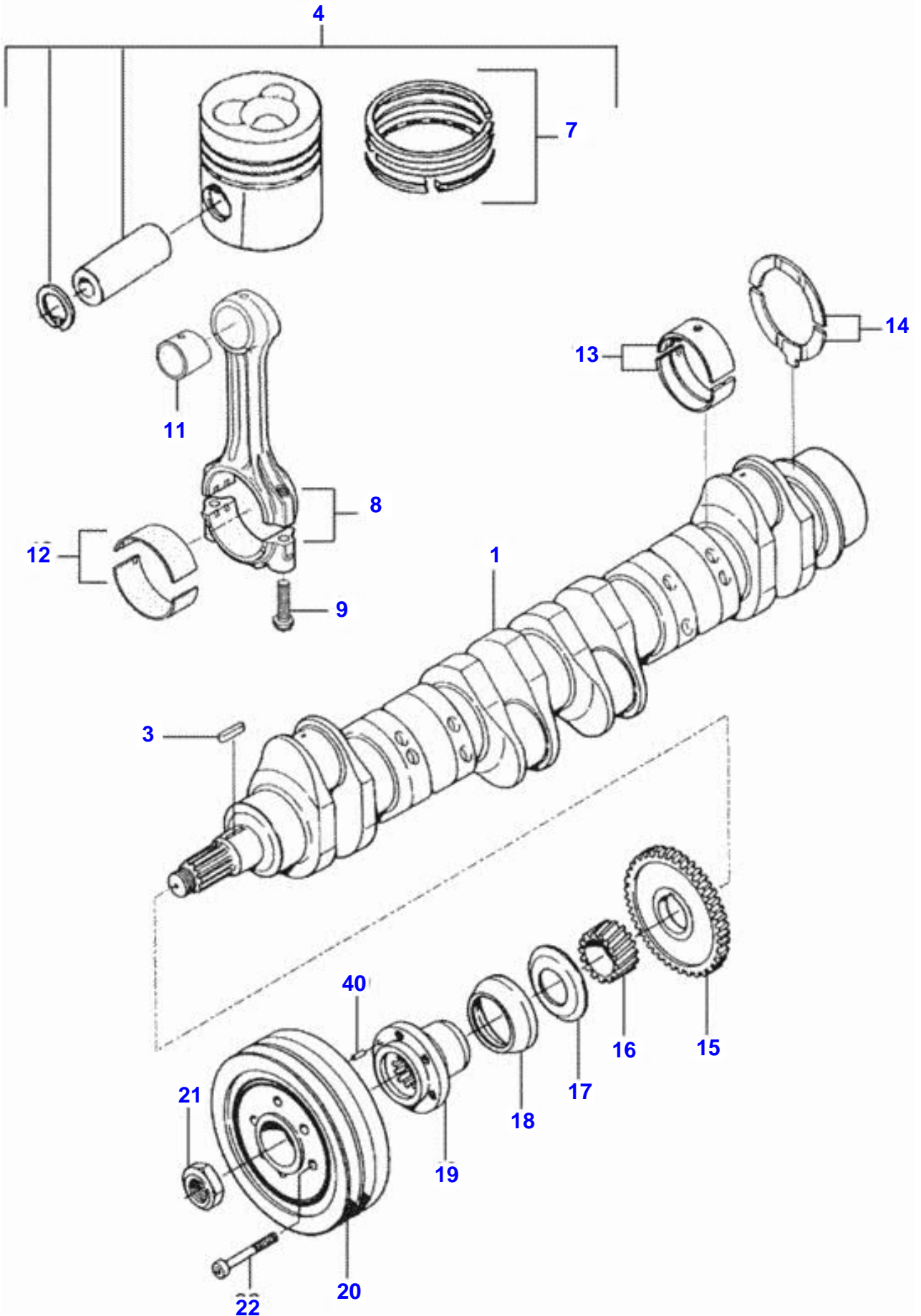
BM120 TRACTOR (BRAZIL)  
VALVE MECHANISM



## VALVE MECHANISM

Item	Part Number	Qty	Description	Comments
1	V836667042	12	Assy rocker arm	Ref. 2 e 3
2	V512861000	12	Nut	
3	V837069023	12	Screw	
5	V836666609	6	Bracket	
6	V836655884	4	Compresion Spring	
7A	V836655870	2	Shaft	
8	V837069020	4	Plug	
9	V836655867	12	Push rod	
10	V836014264	12	Valve tappet	
11A	V836866054	1	Valve control axle	
12	V603305760	1	Shifting	
13	V836646389	1	Gear	
14	V836646382	24	Valve cotter	
15	V836646381	12	Spring plate	
16	V836646380	12	Spring	
17	V836646357	6	Exhaust vane	
18	V836646356	6	Intake valve	
19	V529801910	2	Screw	
21	V836655406	6	Nut	
23	V836667043	1	Valve mechanism - assembly	Ref. 1,2,3,5,6,7,8

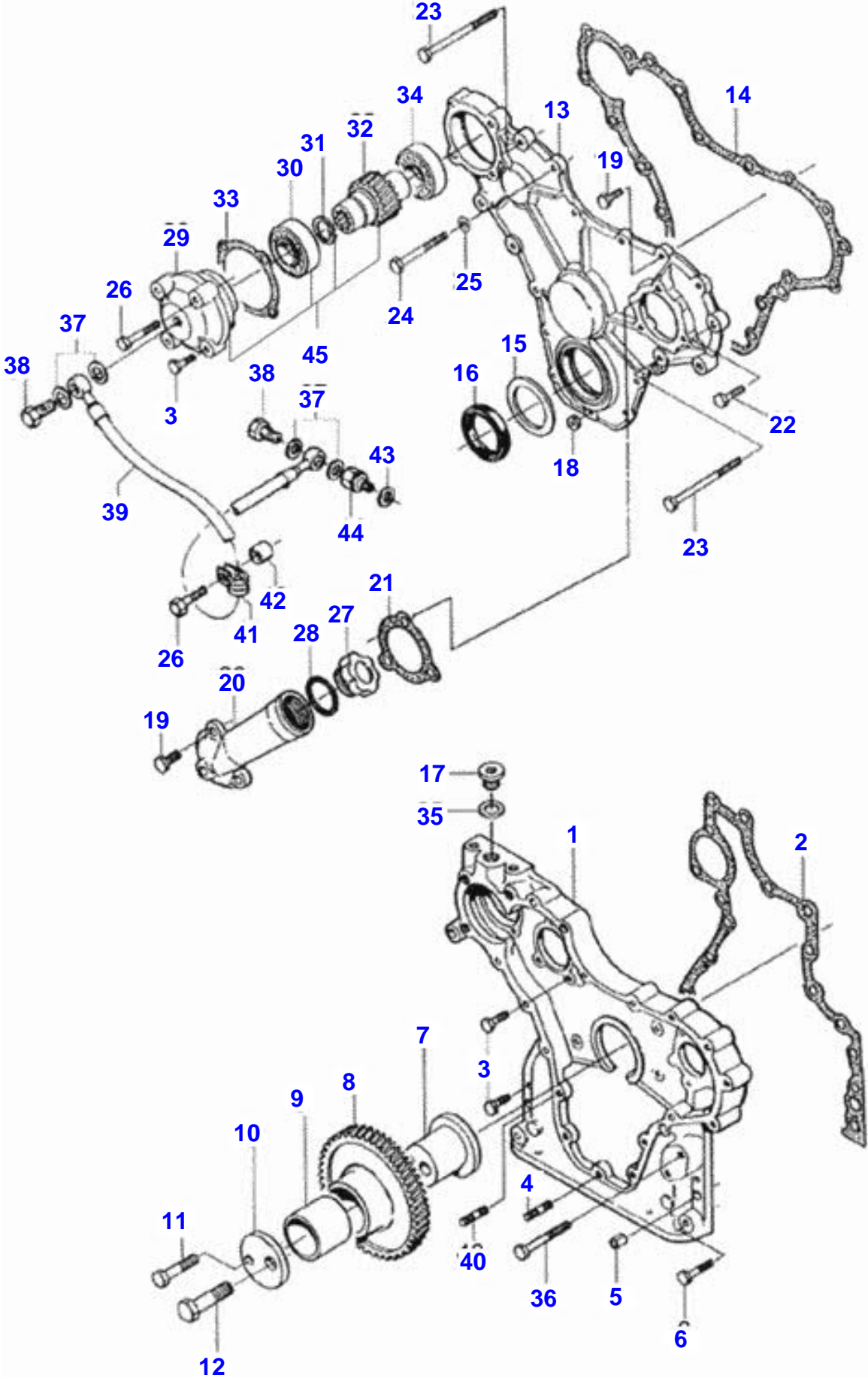
# BM120 TRACTOR (BRAZIL) CRANKSHAFT MECHANISM



## CRANKSHAFT MECHANISM

Item	Part Number	Qty	Description	Comments
1	V836859075	1	Crankshaft	
3	V603345110	1	Shifting	
4	V88605300	6	Complete piston	
7	V836640126	6	Piston ring set	
8	V82659900	1	Connecting rod 6 cylinders kit	
9	V836864141	12	Screw	
11	V836646271	6	Bushing	
12	V836110552	6	Big-end bearing STD	
	V836112762	6	Big-end bearing 0,25 mm	
	V836112763	6	Big-end bearing 0,50 mm	
	V836112765	6	Big-end bearing 1,00 mm	
	V836112767	6	Big-end bearing 1,50 mm	
13	V836655514	7	Big-end bearing STD	
	V836655536	7	Main bearing 0,25mm	
	V836655537	7	Main bearing 0,50mm	
	V836655538	7	Main bearing 1,00mm	
	V836655539	7	Main bearing 1,50mm	
14	V836120332	2	Thrust washer	0,10mm
	V836120333	2	Thrust washer	0,20mm
	V836119459	2	Thrust washer	Standard
15	V836119550	1	Gear	
16	V836122840	1	Gear	
17	V836129781	1	Ring	
18	V836136271	1	Dust cover	
19	V836846463	1	Hub	
20	V836864290	1	Pulley	
21	V836847641	1	Nut	
22	V581804680	6	Set screw	
40	V595953360	1	Pin	

BM120 TRACTOR (BRAZIL)  
GEAR HOUSING



## GEAR HOUSING

Item	Part Number	Qty	Description	Comments
1	V836652221	1	Gear housing	
2	V836647419	1	Gasket gear housing	
3	VHA6324	10	Screw	
4	V546801380	4	Stud bolt	
5	VJE8802	4	Pin	
6	V529801440	2	Screw	
7	V836766127	1	Shaft	
8	V836138354	1	Gear assy	
9	V836139039	1	Bushing	
10	V836129845	1	Washer	
11	V529801910	1	Screw	
12	V529902720	1	Screw	
13	V836647575	1	Cover	
14	V835336796	1	Gasket front cover	
15	V836129782	1	Shield ring	
16	V836673387	1	Oil seal, crankshaft	
17	V640325018	1	Plug	
18	VJB1108	4	Nut	
19	V528801380	6	Screw	
20	V836746921	1	Pipe	
21	V89617700	1	Silicone Gasket cover	
22	VHA9230	3	Screw	
23	V529801500	2	Screw	
24	VHA8328	3	Screw	
25	V836120989	1	Washer	
26	V529801460	3	Screw	
27	V836338733	1	Cover	
28	V614604740	1	O-ring, oil cap	
29	V836655230	1	Bearing housing	
30	VLA1014	1	Bearing	
31	VKG3031	1	Circlip	
32	V836122843	1	Shaft	
33	V835336793	1	Gasket, bearing cover	
34	VLA1014	1	Bearing	
35	V615881822	1	Seal ring	
36	VHA8327	1	Screw	
37	V615870610	4	Seal washer	
38	V82619400	2	Banjo bolt	
39	V82607600	1	Hose	
40	V546801410	1	Stud bolt	
41	V602060612	1	Clamp	
42	V836119296	1	Spacer	
43	V615571014	1	Seal ring	
44	V836655233	1	Connection	
45	V836647725	1	Bearing housing assy	Ref. 29, 30, 31 e 32

Thank you so much for reading.  
Please click the “Buy Now!”  
button below to download the  
complete manual.



After you pay.

You can download the most  
perfect and complete manual in  
the world immediately.

Our support email:

[ebooklibonline@outlook.com](mailto:ebooklibonline@outlook.com)