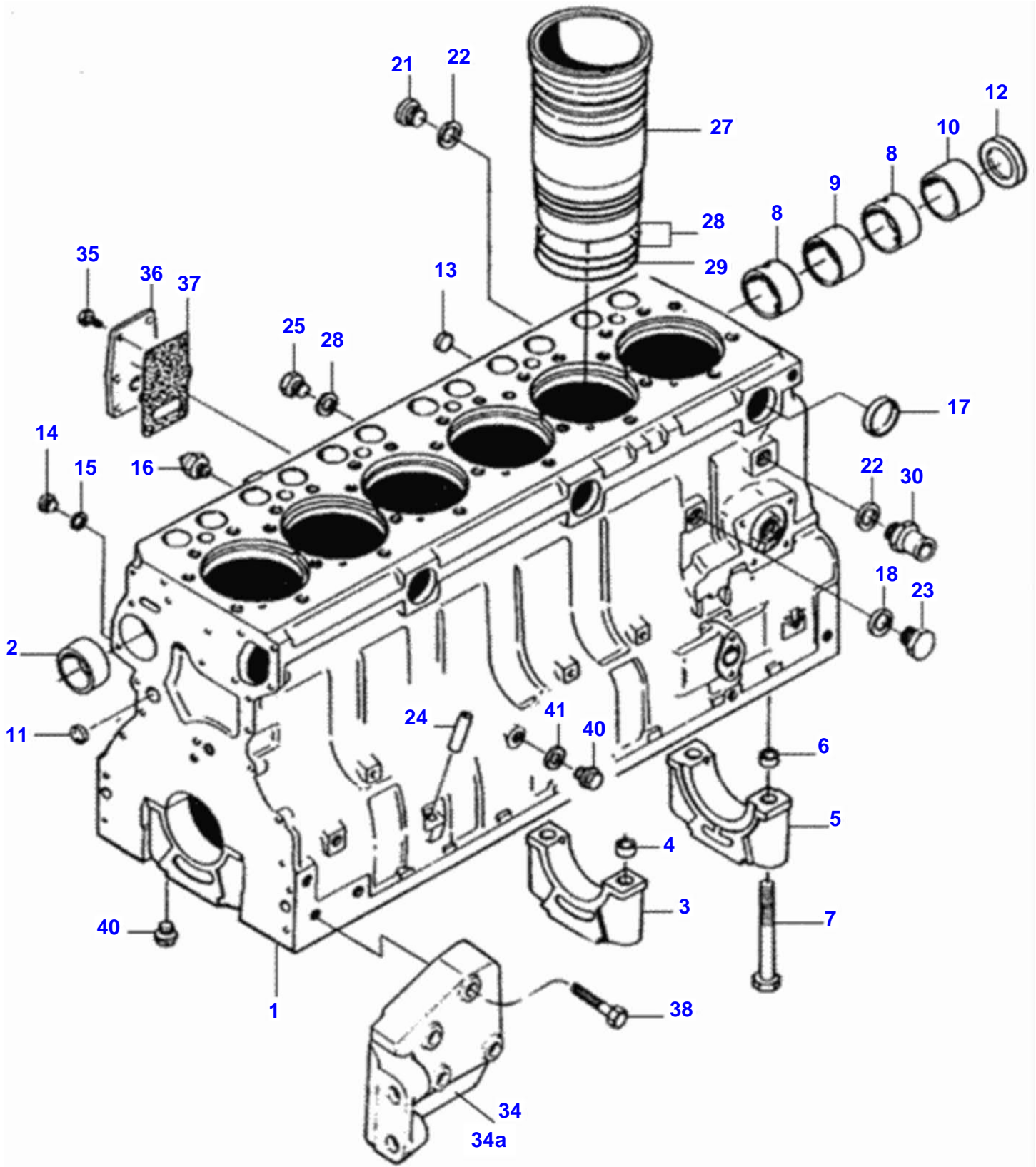


Page Title	Page Number
Cylinder Block	020-0010
Flywheel And Gear Rim	020-0015
Cylinder Head	020-0020
Valve Mechanism	020-0025
Crankshaft Mechanism	020-0030
Gear Housing	020-0035
Engine Oil Cooler	020-0040
Sump	020-0045
Air Filter	020-0050
Inlet And Exhaust Manifold	020-0055
Muffler	020-0060
Instalation Air Filter	020-0065
Sedimentation Filter	020-0070
Feed Pump And Fuel Filter	020-0075
Injection Pump	020-0080
Throttle System	020-0085
Radiator	020-0090
Water Pump And Fan	020-0095
Gasket Kit- S1 +S2	020-0100
Repair Kit	020-0105

BM 120 GII TRACTOR (BR) - C012004  
00000303

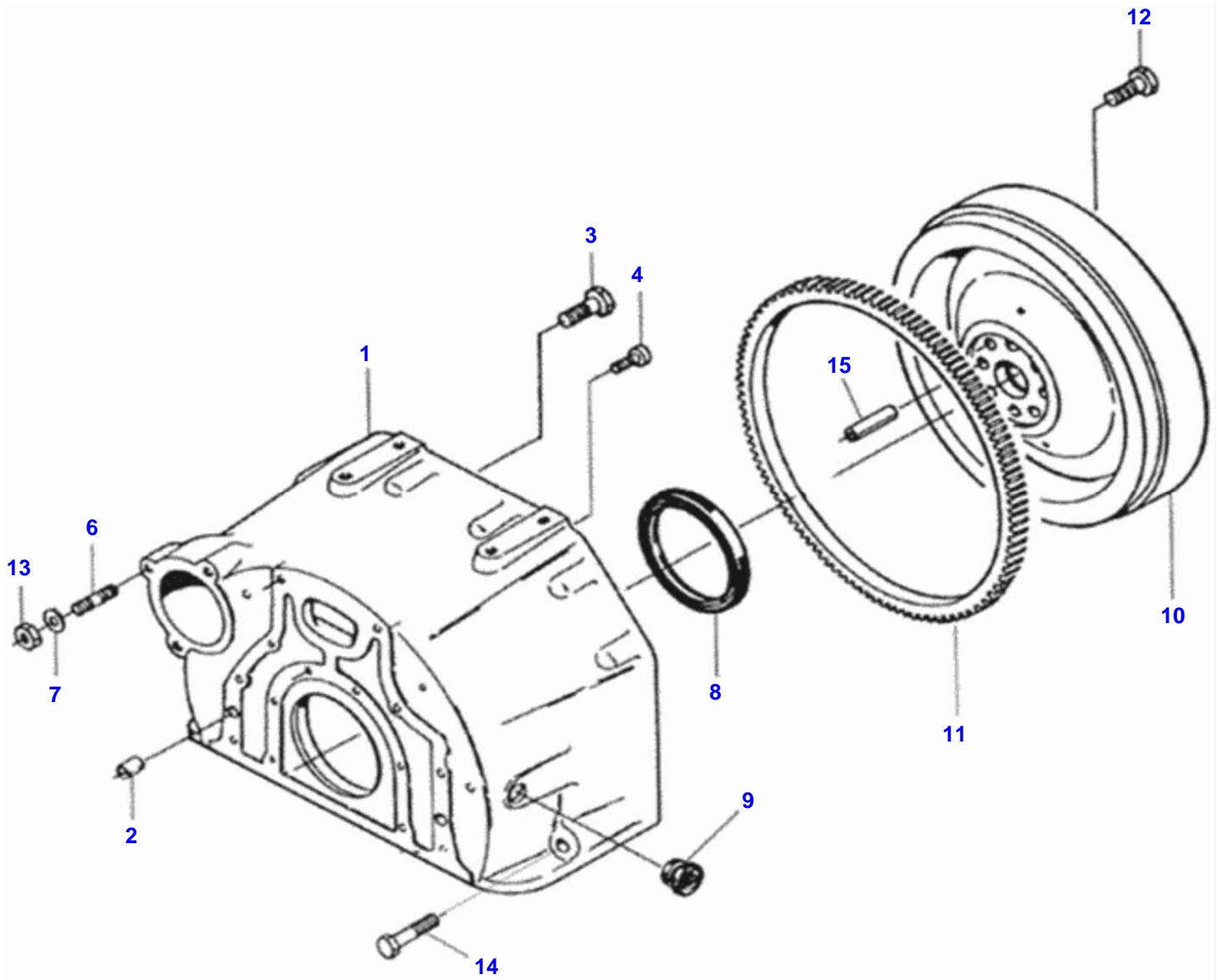


## Cylinder Block

Item	Part Number	Qty	Description	Comments
1	V836866110	1	Cylinder Block	Ref. 2 - 10
2	V836322610	1	Bush	
3		6	Bearing Cover	[A]
4	V836214478	12	Guide Bushing	
5		1	Bearing Cover	[A]
6	V836214478	2	Guide Bushing	
7	V529903180	14	Screw	
8	V836852460	2	Bush	
9	V836852459	1	Bush	
10	V836852461	1	Bush	
11	V640016016	4	Plug	
12	V836852744	1	Plug	
13	V640016018	3	Plug	
14	VGR0261	3	Plug	
15	V615571014	3	Washer	
16	V887283760	1	Pressure Sensor	
17	V640016040	3	Plug	
18	VKH3617	1	Collet	
21	V640325018	1	Plug	
22	VKH4946	2	Collet	
23	V836019756	1	Plug	
24	V836014334	1	Pipe	
25	VGR0277	1	Plug	
26	VKH3635	1	Collet	
27	V836647935	6	Liner	Flange 9,23 mm
	V836666990	6	Liner	
	V836647933	6	Liner	Flange 9,08 mm
	V836647934	6	Liner	Flange 9,13 mm
28	V836647502	12	Collet	
29	V836647503	8	Collet	
30	V82615500	1	Pipe	
34	V836852656	1	Bracket	
	V82055800	1	Bracket	
35	VHC9326	6	Screw	
36	V836846444	1	Cover	
37	V836322852	1	Cover Gasket	
38	V529802682	8	Screw	
40	V640305012	7	Plug	
41	V615881216	1	Collet	

FOOTNOTE [A] DELIVERED ONLY COMPLETE WITH BLOCK

BM 120 GII TRACTOR (BR) - C012004  
00000561



## Flywheel And Gear Rim

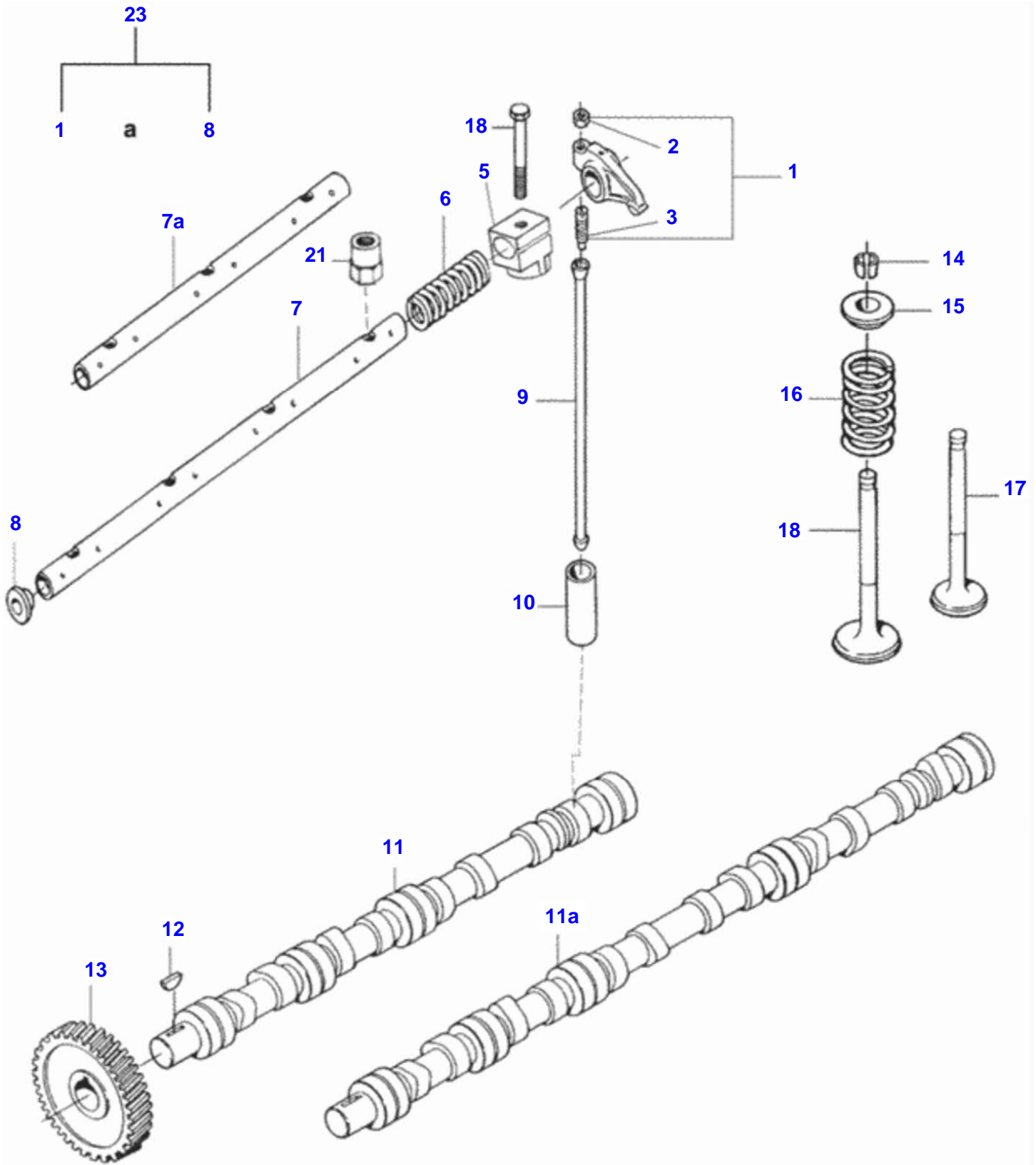
Item	Part Number	Qty	Description
1	V836647439	1	Flywheel Housing
2	V598359850	2	Pin
3	V52890220	15	Bolt
4	V581705030	6	Screw
6	V546801800	1	Dog
7	V500951000	3	Washer
8	V614500002	1	Seal
9	V836007572	1	Plug
10	V82609500	1	Flywheel
11	V835328783	1	Starter Ring
12	V528902230	8	Screw
13	V504601000	3	Nut
14	VHC8519	2	Bolt
15	V595955060	1	Pin



## Cylinder Head

Item	Part Number	Qty	Description	Comments
	V836647936	6	Valve Seat	
1	V836855381	2	Head	Novo
2	V836673175	12	Valve Guide	
3	V836647600	6	Valve Seat	
4	V836647942	10	Pad	
5	V837070290	2	Head Gaskets	
6	V836859104	32	Bolt	
7	V546901435	12	Dog	
10	VJB8905	4	Nut	
11	V836119855	4	Washer	
12	V836012841	4	Washer	
13	V546801900	4	Dog	
14	VJB1110	4	Nut	
15	V640325018	2	Plug	
16	V836859110	2	Nut	
17	V528801380	6	Bolt	
19	V836859110	2	Nut	
20	V836859109	2	Dog	
21	V836755007	1	Hose	
22	V595953360	2	Pin	
24	V836855349	2	Eyelet	
25	V836855350	1	Cover	
26	V836866215	2	Gasket	
27	V528801820	4	Screw	
28	V836855348	1	Plate	
29	V836866214	1	Gasket	
30	V640016045	1	Pad	
31	V836846448	1	Cover	
32	V836646359	1	Cover	
33	V836646360	2	Gasket	

BM 120 GII TRACTOR (BR) - C012004  
0000285

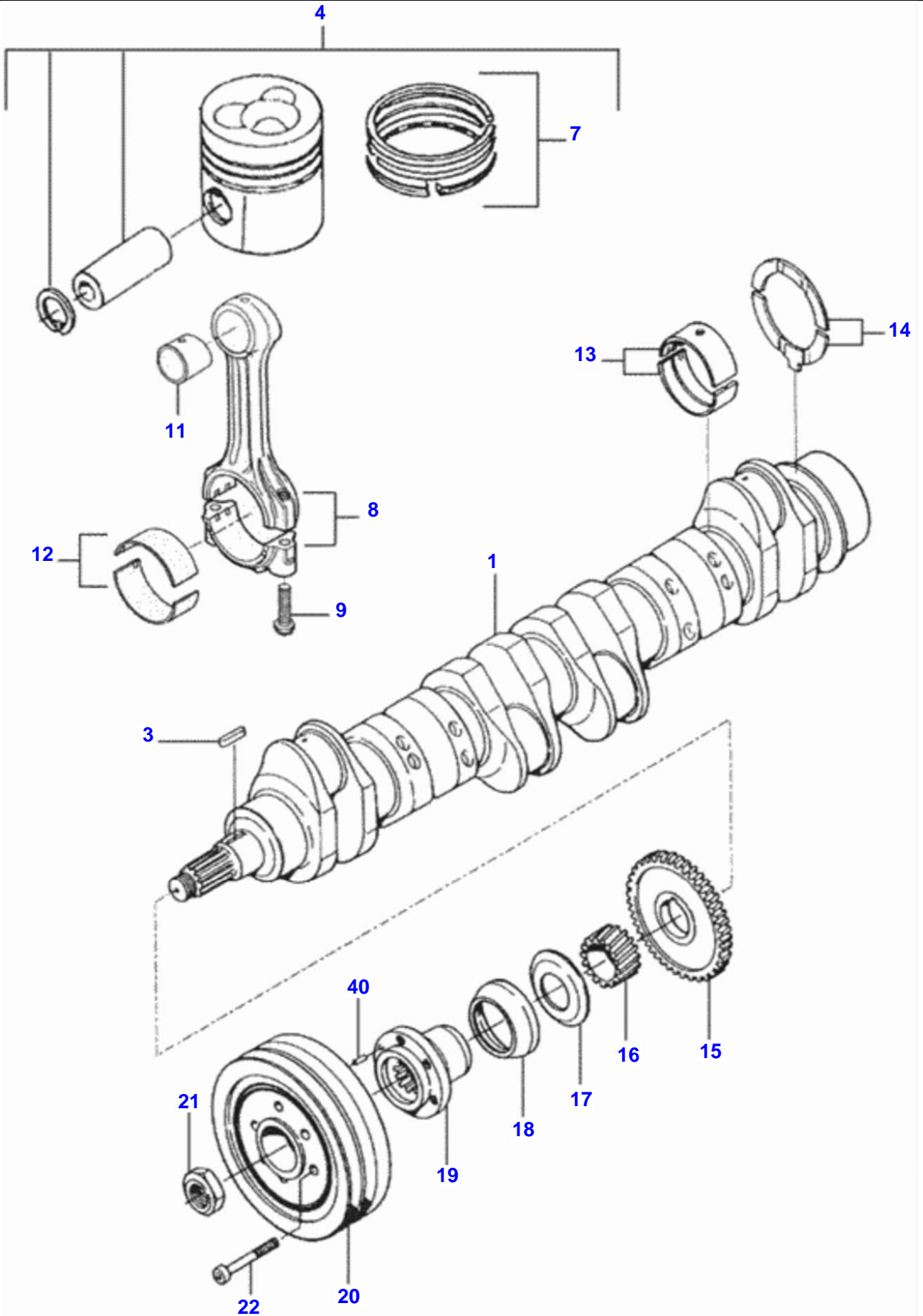




## Valve Mechanism

Item	Part Number	Qty	Description	Comments
	V836655870	2	Shaft	
	V836866054	1	Camshaft	
1	V836667042	12	Complete	Ref. 2 e 3
2	V512861000	12	Nut	
3	V837069023	12	Bolt	
5	V836666609	6	Bracket	
6	V836655884	4	Spring	
8	V837069020	4	Plug	
9	V836655867	12	Rod	
10	V836014264	12	Tappet	
12	V603305760	1	Key	
13	V836646389	1	Gear	
14	V836646382	24	Valve Cotter	
15	V836646381	12	Spring Plate	
16	V836646380	12	Spring	
17	V836646357	6	Valve Exhaust	
18	V836646356	6	Valve Inlet	
19	V529801910	2	Screw	
21	V836655406	6	Nut	
23	V836667043	1	Parts Pack	Ref. 1,2,3,5,6,7

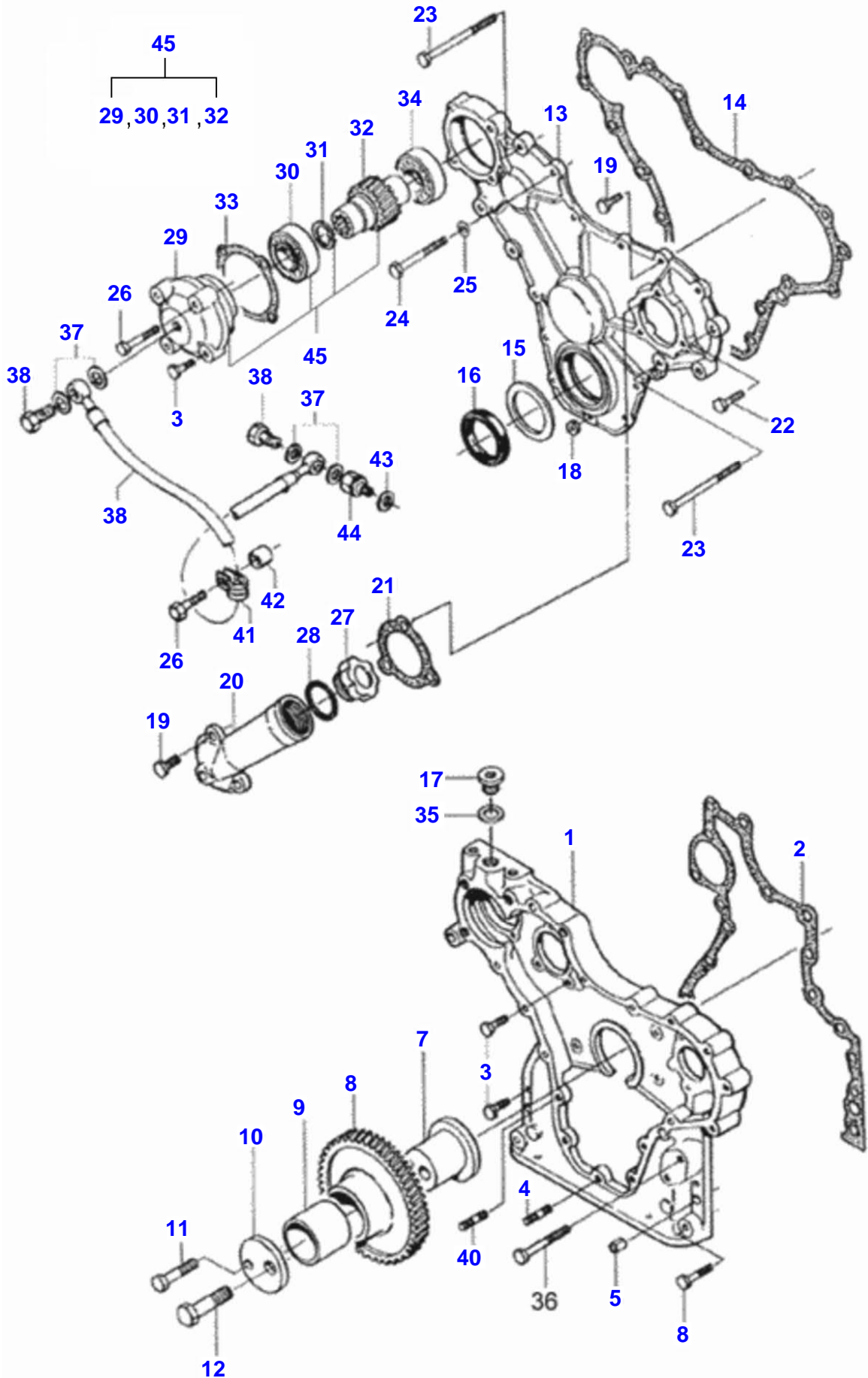
BM 120 GII TRACTOR (BR) - C012004  
0000283



## Crankshaft Mechanism

Item	Part Number	Qty	Description	Comments
1	V836859075	1	Crankshaft	
3	V603345110	1	Key	
4	V88605300	6	Complete Piston	
7	V836640126	6	Piston Ring Set	
8	V82659900	1	Kit, Conrod	
9	V836864141	12	Screw	
11	V836646271	6	Bush	
12	V836112762	6	Slider Bearing	
	V836110552	6	Big End Bearing	
	V836112767	6	Slider Bearing	
	V836112765	6	Slider Bearing	
	V836112763	6	Slider Bearing	
13	V836655539	7	Big-end Bearing	
	V836655538	7	Big-end Bearing	
	V836655537	7	Big-end Bearing	
	V836655514	7	Big-end Bearing	
	V836655536	7	Big-end Bearing	
14	V836120333	2	Washer	0,20mm
	V836120332	2	Washer	0,10mm
	V836119459	2	Washer	Standard
15	V836119550	1	Gear	
16	V836122840	1	Gear	
17	V836129781	1	Ring	
18	V836136271	1	Dustcap	
19	V836846463	1	Hub	
20	V836864290	1	Pulley	
21	V836647310	1	Nut	
22	V581804680	6	Allen Bolt	
40	V595953360	1	Pin	

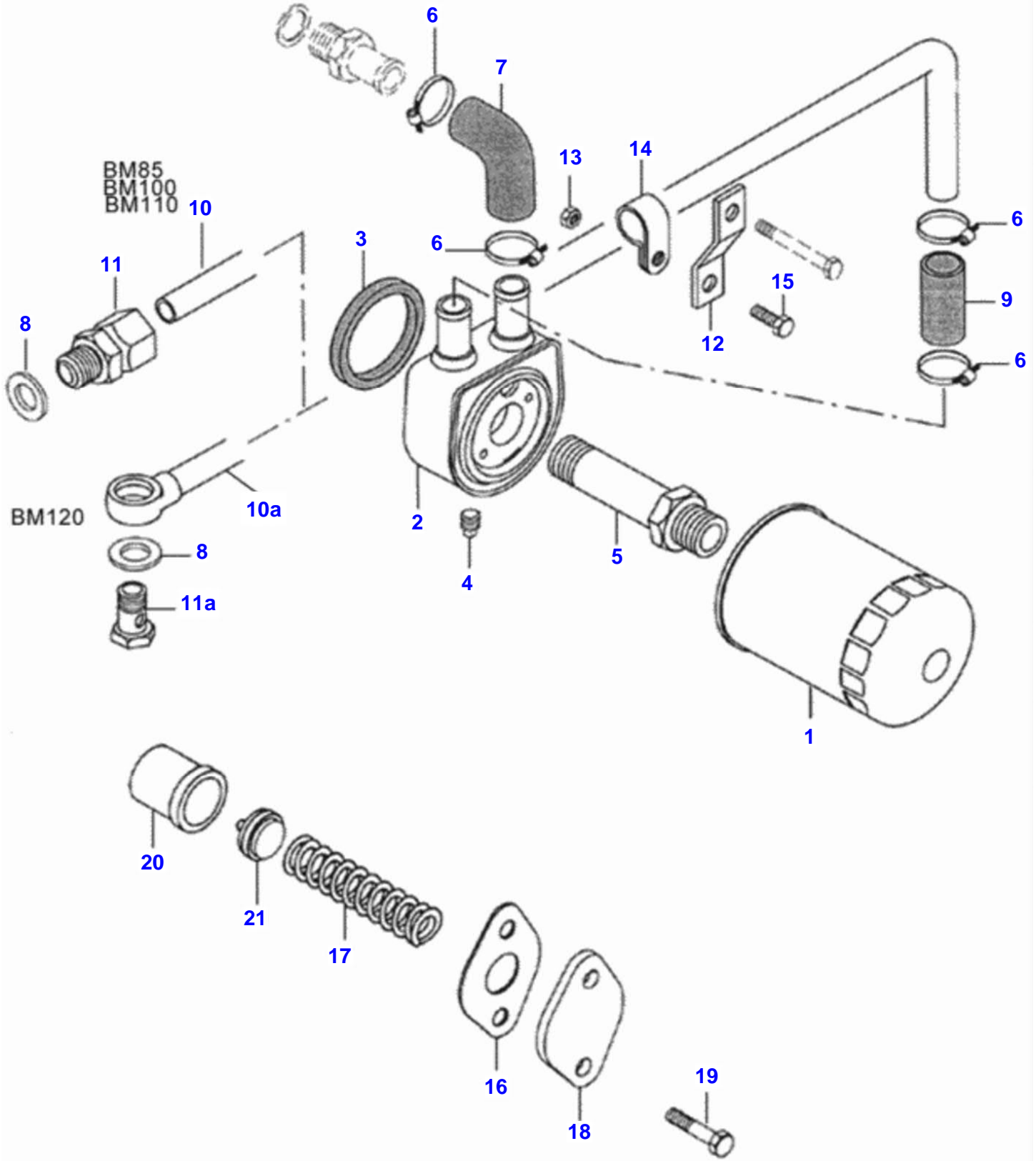
BM 120 GII TRACTOR (BR) - C012004  
00000125



## Gear Housing

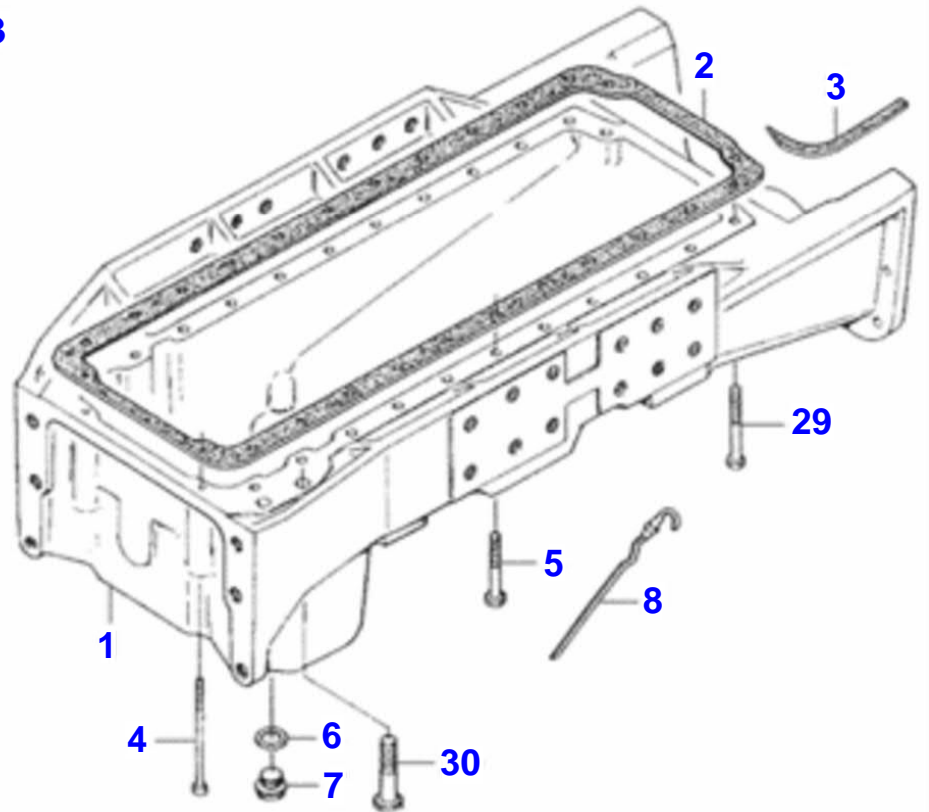
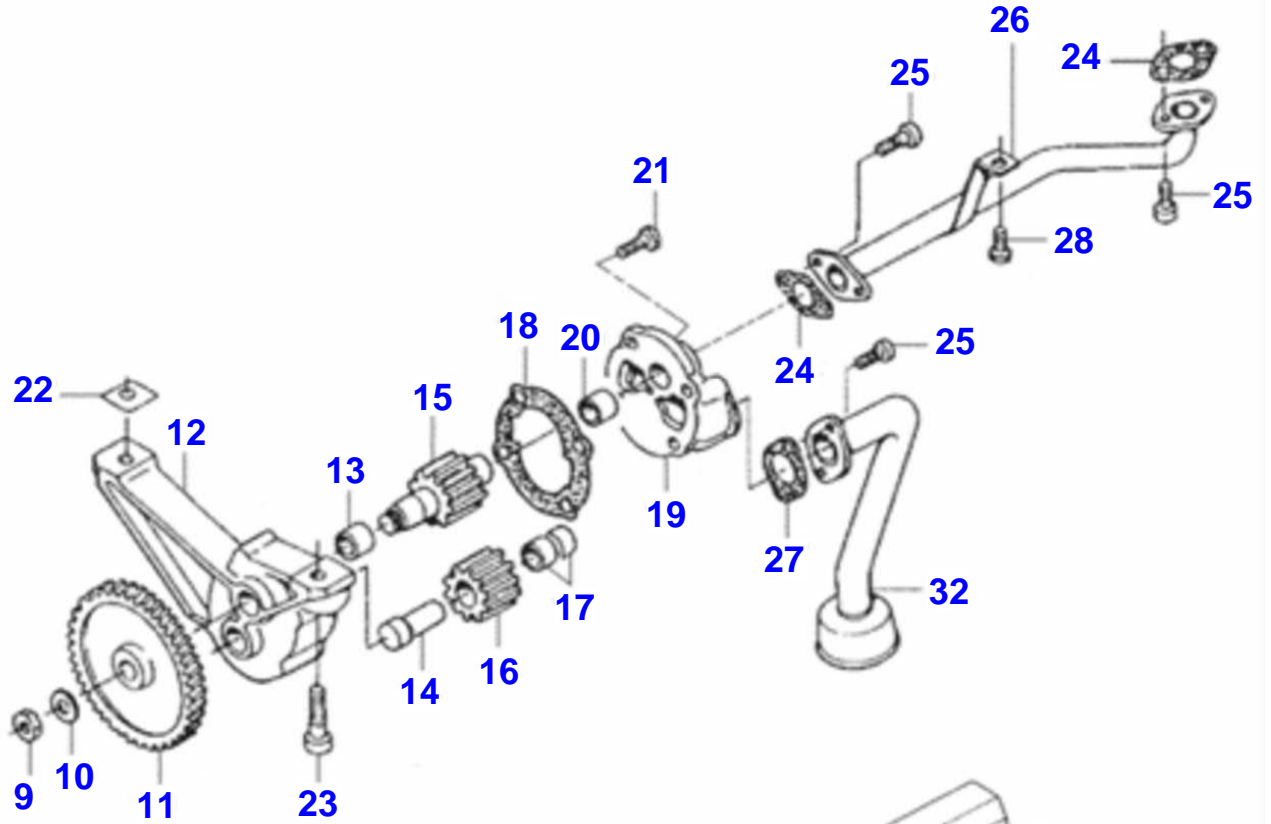
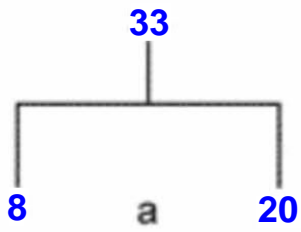
Item	Part Number	Qty	Description	Comments
1	V836652221	1	Timing Gear Case	
2	V836647419	1	Gasket	
3	VHA6324	10	Screw	
4	V546801380	4	Dog	
5	VJE8802	4	Pin	
6	V529801440	2	Screw	
7	V836138356	1	Shaft	
8	V836138354	1	Gear	
9	V836139039	1	Bush	
10	V836129845	1	Flange	
11	V529801910	1	Screw	
12	V529902720	1	Screw	
13	V836647575	1	Cover	
14	V835336796	1	Gasket	
15	V836129782	1	Collet	
16	V614105880	1	Seal	
17	V640325018	1	Plug	
18	VJB1108	4	Nut	
19	V528801380	6	Bolt	
20	V836746921	1	Filler	
21	V836129946	1	Gasket	
22	VHA9230	3	Screw	
23	V529801500	2	Screw	
24	VHA8328	3	Screw	
25	V836120989	1	Washer	
26	V529801460	3	Screw	
27	V836338733	1	Cover	
28	V614604740	1	Collet	
29	V836655230	1	Bearing Housing	
30	VLA1014	1	Bearing	
31	VKG3031	1	Circlip	
32	V836122843	1	Shaft	
33	V835336793	1	Gasket	
34	VLA1014	1	Bearing	
35	V615881822	1	Collet	
36	VHA8327	1	Screw	
37	V615870610	4	Washer	
38	V82619400	2	Banjo Bolt	
39	V82607600	1	Hose	
40	V546801410	1	Dog	
41	V602060612	1	Clamp	
42	V836119296	1	Spacer	
43	V615571014	1	Washer	
44	V836655233	1	Connection	
45	V836647725	1	Bearing	Ref. 29, 30, 31

BM 120 GII TRACTOR (BR) - C012004  
00000304



## Engine Oil Cooler

Item	Part Number	Qty	Description	Comments
	V836847929	1	Pipe	
	V640435015	1	Screw	
1	V836647133	1	Oil Filter	
2	V836129315	1	Oil Cooler	Include 3 and
3	V835331586	1	Seal	
4	V836131366	1	Plug	
5	V836647405	1	Connection	
6	VGP3910	4	Clamp	
7	V836747124	4	Hose	
8	VKH3617	1	Collet	
9	V836129978	1	Hose	
12	V836847930	1	Bracket	
13	VJB1108	1	Nut	
14	V602074615	1	Clamp	
15	VHA6323	1	Screw	
16	V836322190	1	Gasket	
17	V836659523	1	Spring	
18	V836129849	1	Cover	
19	VHA9230	2	Screw	
20	V836659521	1	Retention	
21	V836659522	1	Plate	





## Sump

Item	Part Number	Qty	Description	Comments
1	V836852918	1	Oil Sump	
2	V836322183	1	Gasket	
3	V836346142	2	Gasket Oil Sump	
4	V581704830	2	Screw	
5	V529901890	14	Bolt	
6	VKH3610	1	Collet	
7	VGR0225	1	Plug	
8	V836014330	1	Measuring	
9	V504861000	1	Nut	
10	V836122910	1	Washer	
11	V836338667	1	Gear	
12	V836338186	1	Housing	
13	V836322909	1	Bush	
14	V836338668	1	Shaft	
15	V836338181	1	Gear	
16	V836338180	1	Gear	
17	V836322909	2	Bush	
18	V836119796	1	Gasket	
19	V836855297	1	Cover	
20	V836322909	1	Bush	
21	V528801380	4	Bolt	
22	V836007871	X	Spacing Plate	
23	VHC8338	2	Screw	
24	V836008449	2	Gasket	
25	VHA6323	6	Screw	
26	V82650800	1	Pipe	
27	V82653700	1	Gasket	
28	VHA6313	1	Screw	
29	V529901930	6	Bolt	
30	V529903130	4	Bolt	
32	V836859673	1	Suction Pipe	
33	V836855300	1	Oil Pump	Reference 8 to 2

Thank you so much for reading.  
Please click the “Buy Now!”  
button below to download the  
complete manual.



After you pay.

You can download the most  
perfect and complete manual in  
the world immediately.

Our support email:

[ebooklibonline@outlook.com](mailto:ebooklibonline@outlook.com)