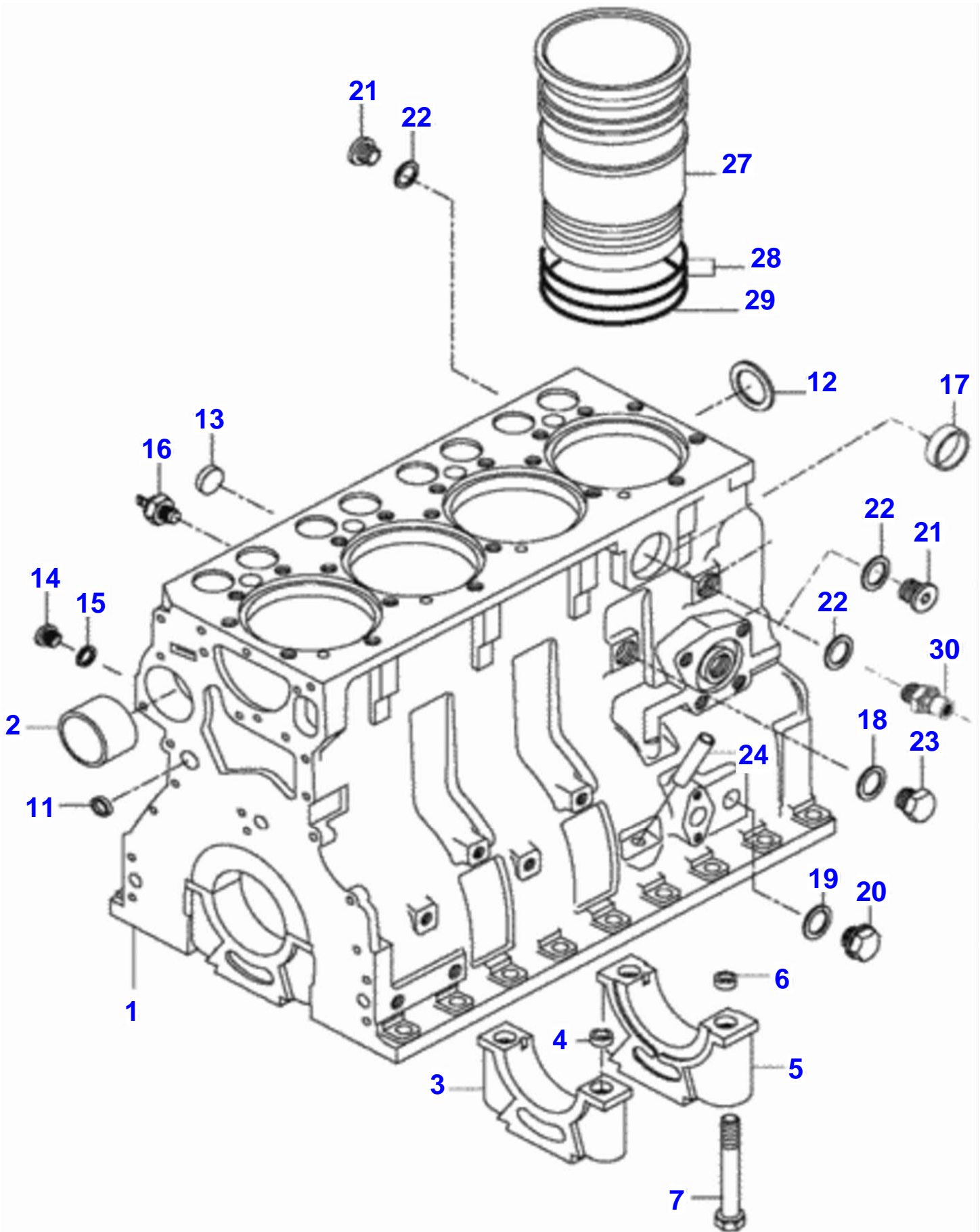


Page Title	Page Number
Cylinder Block	020-0010
Flywheel And Gear Rim	020-0015
Cylinder Head	020-0020
Valve Mechanism	020-0025
Crankshaft Mechanism	020-0030
Gear Housing	020-0035
Engine Oil Cooler	020-0040
Sump	020-0045
Air Filter	020-0050
Inlet And Exhaust Manifold	020-0055
Muffler	020-0060
Turbocharger	020-0065
Instalation Air Filter	020-0070
Intercooler System	020-0075
Sedimentation Filter	020-0080
Feed Pump And Fuel Filter	020-0085
Injection Pump	020-0090
Throttle System	020-0095
Radiator	020-0100
Water Pump And Fan	020-0105
Gasket Set S1	020-0110
Gasket Kit S1 + S2	020-0115
Repair Kit	020-0120

BM 125i TRACTOR (BR) - C012502
00003333

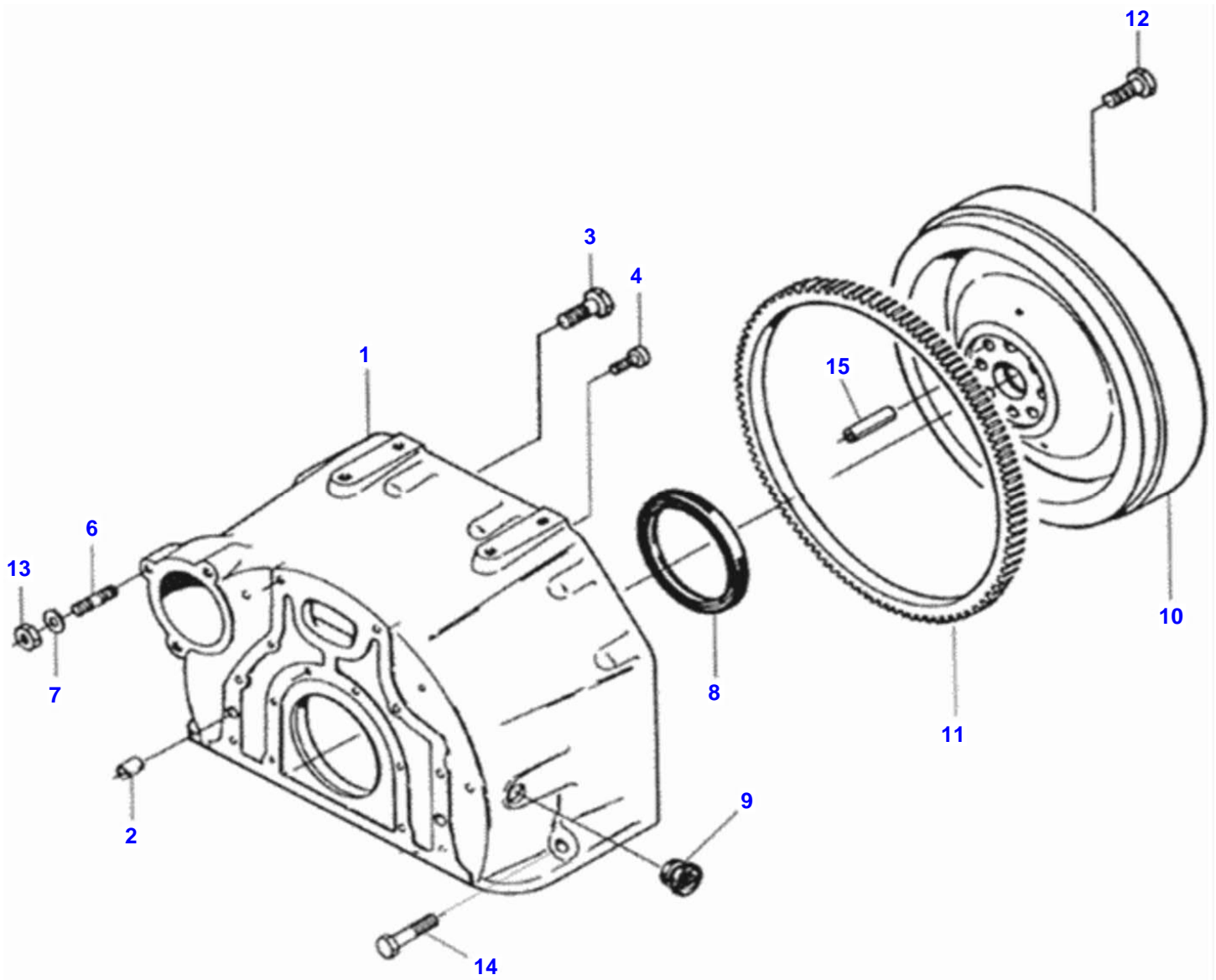


Cylinder Block

Item	Part Number	Qty	Description	Comments
1	V836766377	1	Assy	
2	V836866069	1	Bush	
3		4	Bearing Cover	[A]
4	V836214478	8	Guide Bushing	
5		1	Bearing Cover	[A]
6	V836214478	2	Guide Bushing	
7	V529903180	10	Screw	
11	V640016016	4	Plug	
12	V836529872	1	Pad	
13	V640016018	1	Plug	
14	VGR0261	1	Plug	
15	V615571014	1	Washer	
16	V887283760	1	Pressure Sensor	
17	V640016040	1	Plug	
18	VKH3617	1	Collet	
19	V615881216	1	Collet	
20	V640305012	5	Plug	
21	V640325018	1	Plug	
22	VKH4946	2	Collet	
23	V836019756	1	Plug	
24	V836014334	1	Pipe	
27	V836647420	4	Cylinder Liner	Std - flange 9,0
	V836647934	4	Liner	flange 9,13mm
	V836647933	4	Liner	flange 9,08 mm
	V836647935	4	Liner	flange 9,23 mm
28	V836647502	8	Collet	
29	V836647503	4	Collet	
30	V836119837	1	Connection	

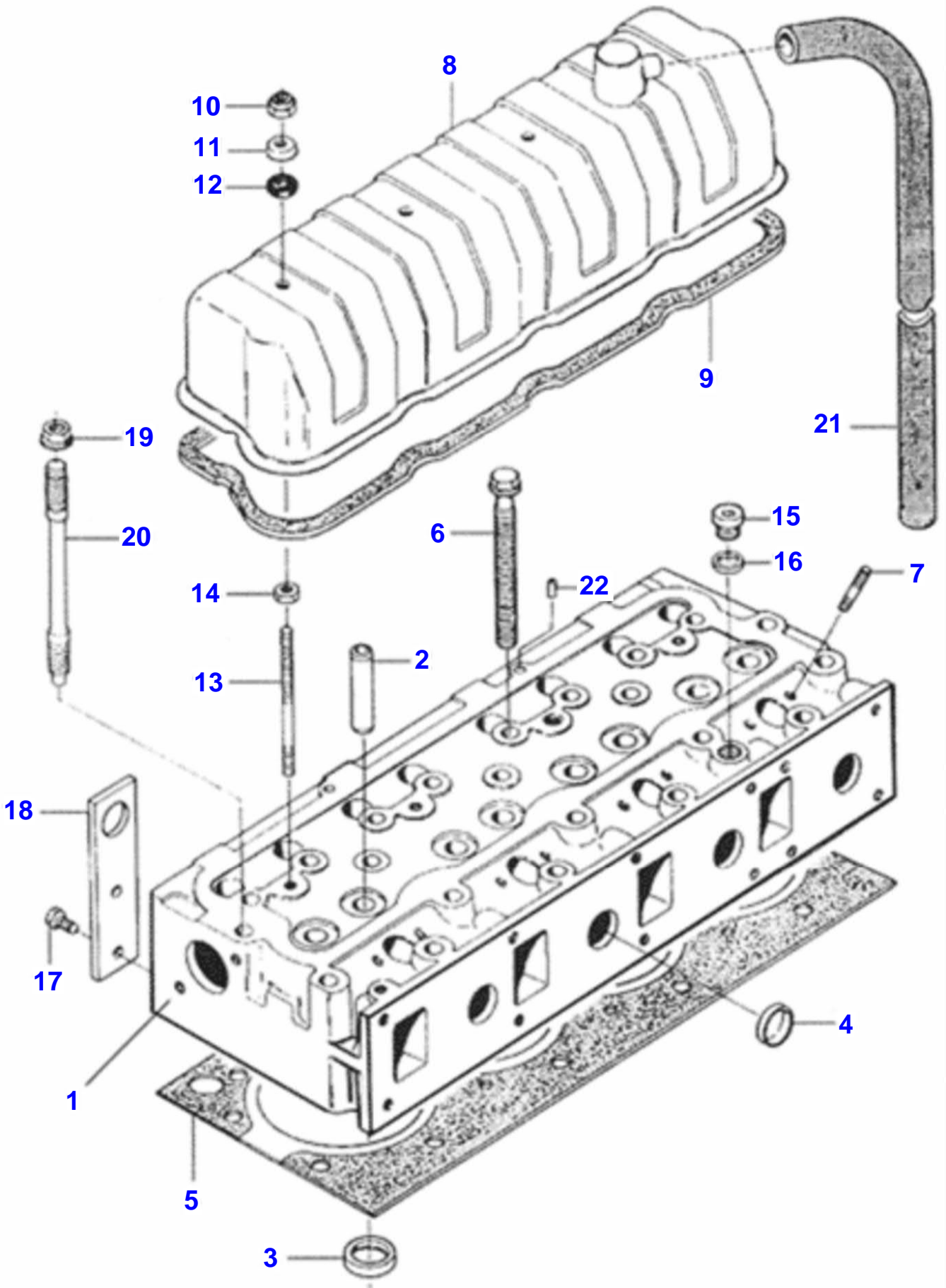
FOOTNOTE [A] DELIVERED ONLY COMPLETE WITH BLOCK

BM 125i TRACTOR (BR) - C012502
0000561



Flywheel And Gear Rim

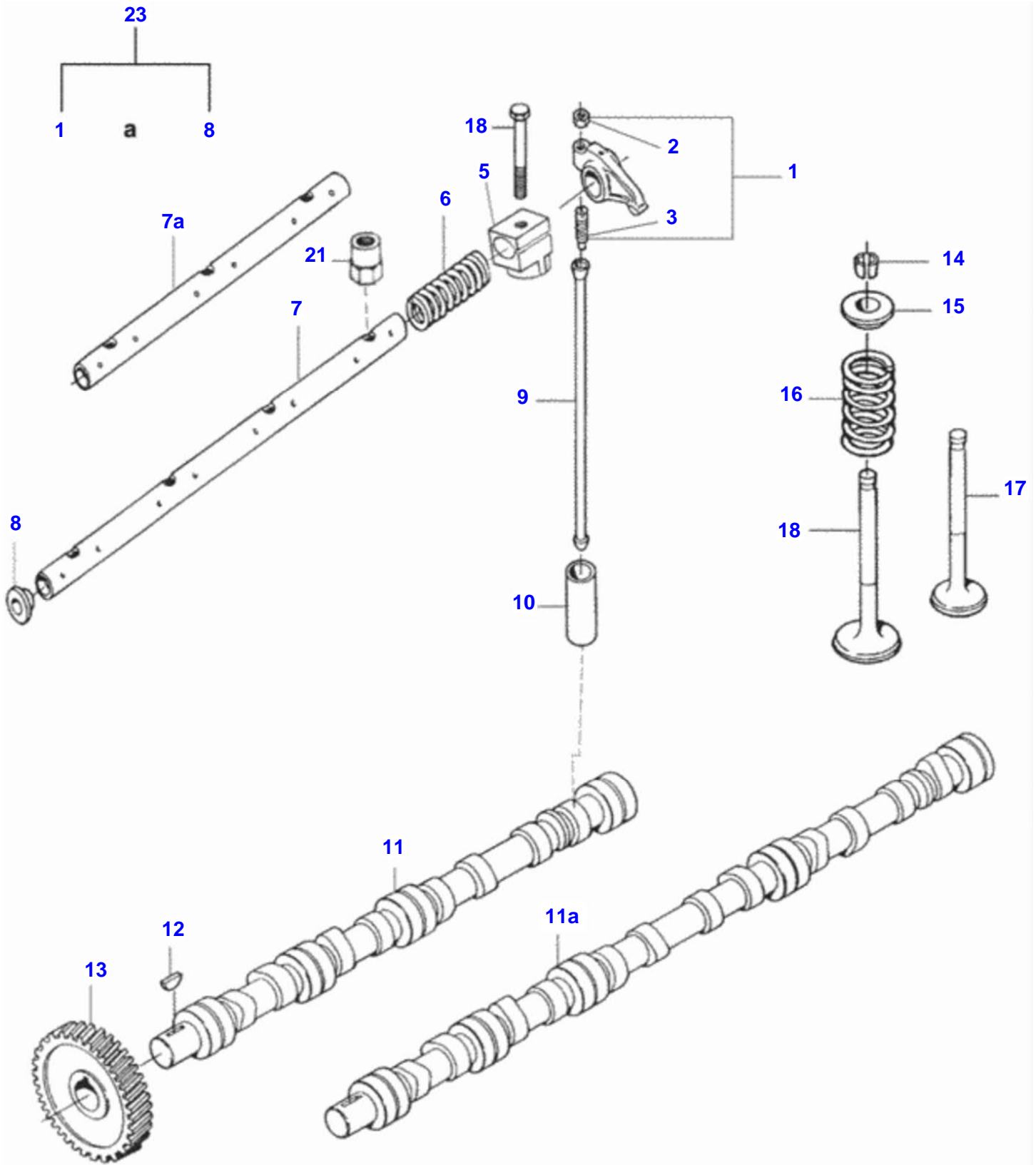
Item	Part Number	Qty	Description
1	V836647439	1	Flywheel Housing
2	V598359850	2	Pin
3	V52890220	15	Bolt
4	V581705030	6	Screw
6	V546801800	1	Dog
7	V500951000	3	Washer
8	V614500002	1	Seal
9	V836007572	1	Plug
10	V82609500	1	Flywheel
11	V835328783	1	Starter Ring
12	V528902230	8	Screw
13	V504601000	3	Nut
14	VHC8519	2	Bolt
15	V595955060	1	Pin



Cylinder Head

Item	Part Number	Qty	Description
1	V836755385	1	Head
2	V836673175	8	Valve Guide
3	V836647936	4	Valve Seat
	V836647600	4	Valve Seat
4	V836647942	7	Pad
5	V836766301	1	Cylinder
6	V836646383	20	Screw
7	V546901435	8	Dog
8	V836746361	1	Cover
9	V836746362	1	Gasket
10	VJB8905	4	Nut
11	V836119855	4	Washer
12	V836012841	4	Washer
13	V546801900	4	Dog
14	VJB1110	4	Nut
15	V640325018	1	Plug
16	V615881822	1	Collet
17	V528801380	4	Bolt
18	V836855349	2	Eyelet
19	V836859110	2	Nut
20	V836859109	2	Dog
21	V836755007	1	Hose
22	V595953360	2	Pin

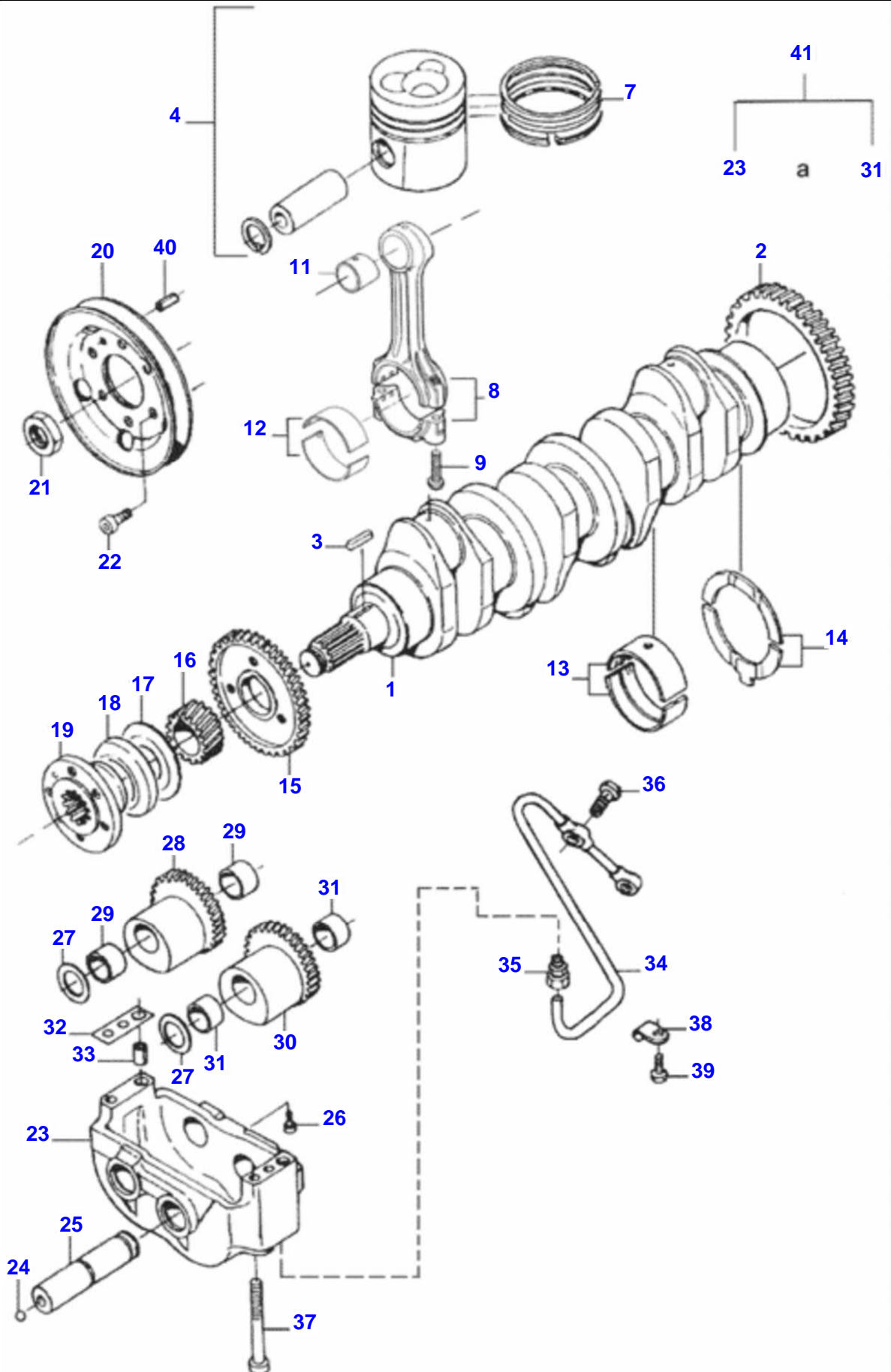
BM 125i TRACTOR (BR) - C012502
0000285



Valve Mechanism

Item	Part Number	Qty	Description
1	V836667042	8	Complete
2	V512861000	8	Nut
3	V837069023	8	Bolt
5	V836666609	4	Bracket
6	V836655884	3	Spring
7	V836755871	1	Shaft
8	V837069020	2	Plug
9	V836655867	8	Rod
10	V836014264	8	Tappet
11	V836746375	1	Shaft
12	V603305760	1	Key
13	V836646389	1	Gear
14	V836646382	16	Valve Cotter
15	V836646381	8	Spring Plate
16	V836646380	8	Spring
17	V836646357	4	Valve Exhaust
18	V836646356	4	Valve Inlet
21	V836655406	4	Nut
23	V836767044	1	Valve

BM 125i TRACTOR (BR) - C012502
00002323

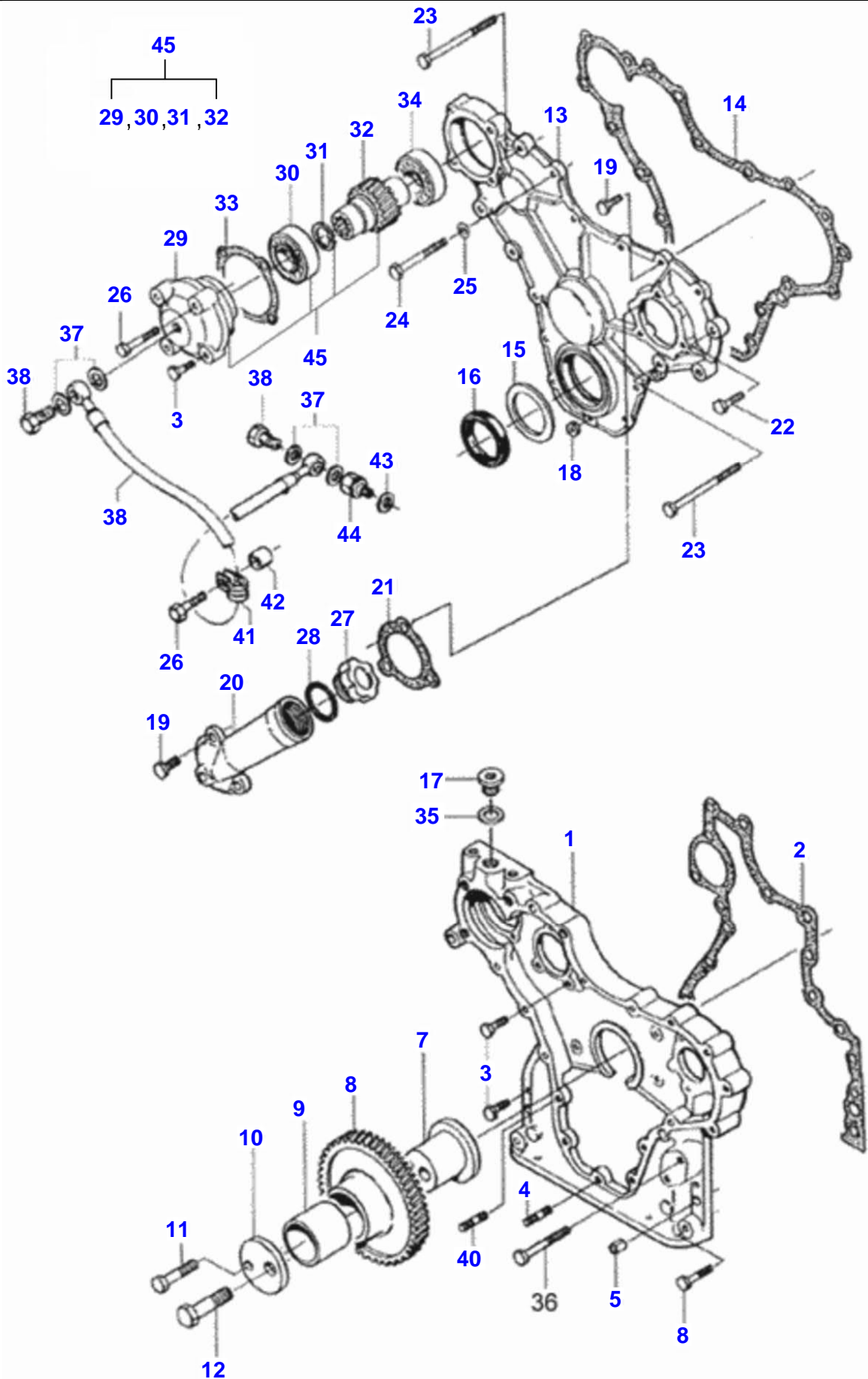


Crankshaft Mechanism

Item	Part Number	Qty	Description	Comments
1	V836747324	1	Crankshaft	
2	V836124524	1	Gear	
3	V603345110	1	Key	
4	V836640073	4	Piston	
7	V836640078	4	Kit, Ring	
8	V82659800	1	Kit, Conrod	
9	V836864141	8	Screw	
11	V836646271	4	Bush	
12	V836112765	4	Slider Bearing	1,00mm
	V836112763	4	Slider Bearing	0,50mm
	V836112762	4	Slider Bearing	0,25mm
	V836110552	4	Big End Bearing	[A]
	V836112767	4	Slider Bearing	1,50mm
13	V836655538	5	Big-end Bearing	1,00mm
	V836655537	5	Big-end Bearing	0,50mm
	V836655536	5	Big-end Bearing	0,25mm
	V836655514	5	Big-end Bearing	[A]
	V836655539	5	Big-end Bearing	1,50mm
14	V836119459	2	Washer	Standard
	V836120332	2	Washer	
	V836120333	2	Washer	
15	V836119550	1	Gear	
16	V836122840	1	Gear	
17	V836129781	1	Ring	
18	V836136271	1	Dustcap	
19	V836846463	1	Hub	
20	V836655449	1	Pulley	
21	V836647310	1	Nut	
22	V581804580	6	Bolt	
23	V836747348	1	Housing	
24	V616810103	2	Ball	
25	V836146879	2	Shaft	
26	V581804200	2	Bolt	
27	V836146880	4	Washer	
28	V836146877	1	Gear	Ref. 29
29	V836146876	2	Bush	
30	V836146878	1	Gear	Ref. 31
31	V836146876	2	Bush	
32	V836119920	X	Shim	
33	V598359850	2	Pin	
34	V836747298	1	Pipe	
35	V641016008	1	Connection	
36	V640435008	2	Bolt	
37	V581805170	4	Allen Bolt	
38	V602071608	1	Clamp	
39	VHA6313	1	Screw	
40	V595953360	1	Pin	
41	V836766123	1	Engine	Ref. 23 a 31

FOOTNOTE [A] STANDARD

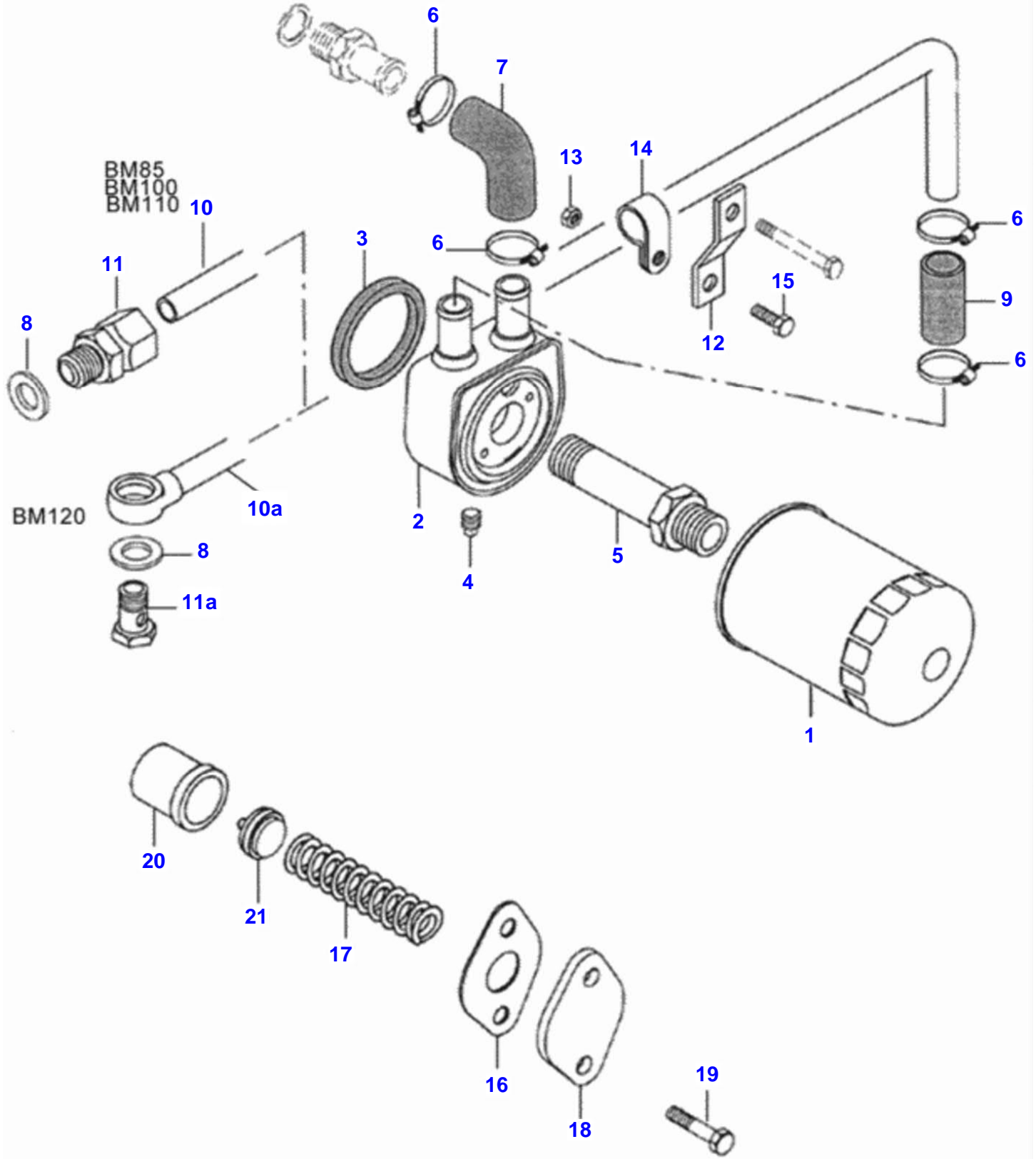
BM 125i TRACTOR (BR) - C012502
00000125



Gear Housing

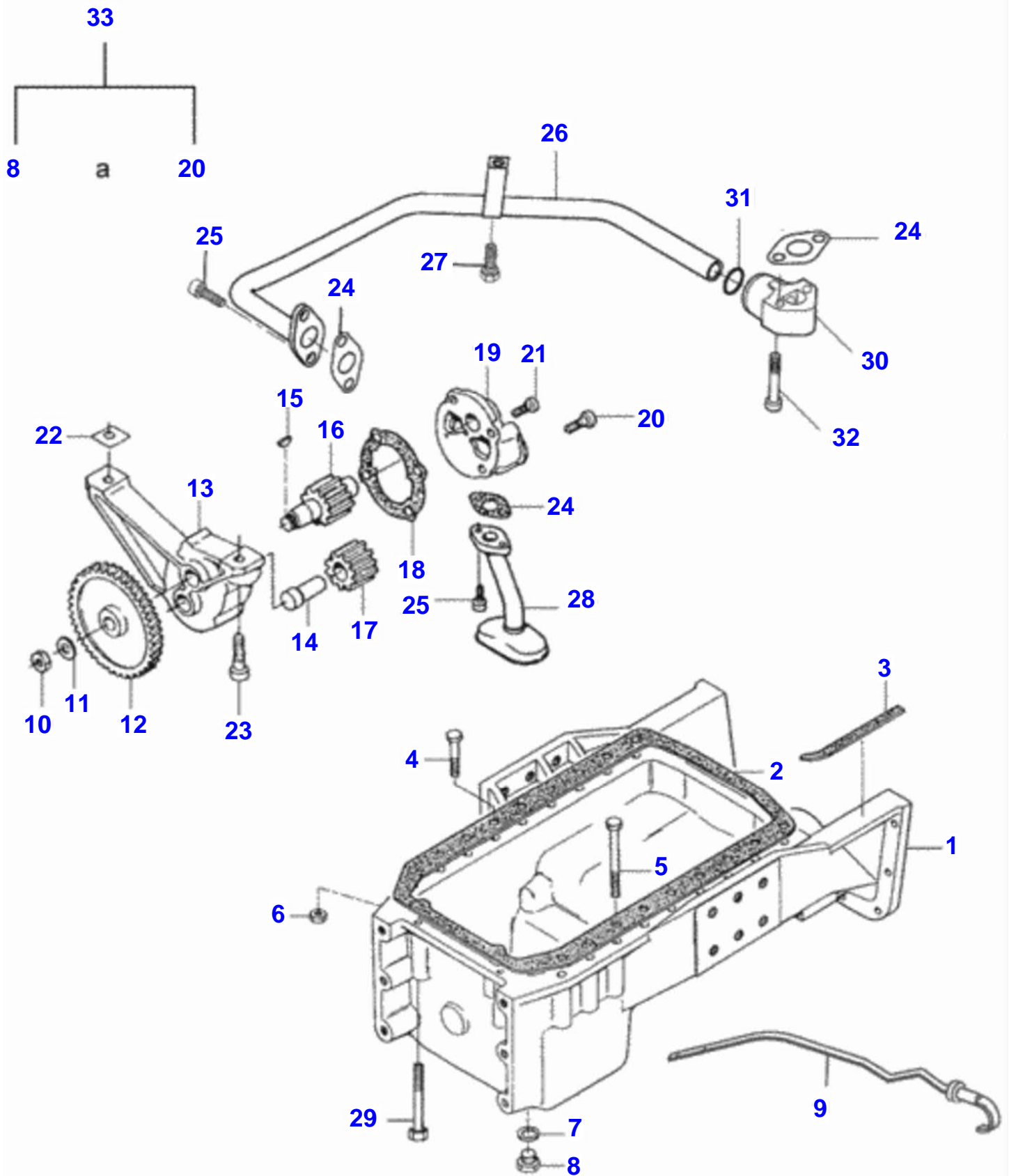
Item	Part Number	Qty	Description	Comments
1	V836652221	1	Timing Gear Case	
2	V836647419	1	Gasket	
3	VHA6324	10	Screw	
4	V546801380	5	Dog	
5	VJE8802	4	Pin	
6	V529801440	2	Screw	
7	V836138356	1	Shaft	
8	V836138354	1	Gear	
9	V836139039	1	Bush	
10	V836129845	1	Flange	
11	V529801910	1	Screw	
12	V529902720	1	Screw	
13	V836647575	1	Cover	
14	V835336796	1	Gasket	
15	V836129782	1	Collet	
16	V614105880	1	Seal	
17	V640325018	1	Plug	
18	VJB1108	5	Nut	
19	V528801380	5	Bolt	
20	V836746921	1	Filler	
21	V836129946	1	Gasket	
22	VHA9230	3	Screw	
23	V529801500	2	Screw	
24	VHA8328	3	Screw	
25	V836120989	1	Washer	
26	V529801460	3	Screw	
27	V836338733	1	Cover	
28	V614604740	1	Collet	
29	V836655230	1	Bearing Housing	
30	VLA1014	1	Bearing	
31	VKG3031	1	Circlip	
32	V836122843	1	Shaft	
33	V835336793	1	Gasket	
34	VLA1014	1	Bearing	
35	V615881822	1	Collet	
36	VHA8327	1	Screw	
37	V615870610	4	Washer	
38	V82619400	2	Banjo Bolt	
39	V82607600	1	Hose	
40	V546801410	1	Dog	
41	V602060612	1	Clamp	
42	V836119296	1	Spacer	
43	V615571014	1	Washer	
44	V836655233	1	Connection	
45	V836647725	1	Bearing	Ref. 29, 30, 31

BM 125i TRACTOR (BR) - C012502
00000304



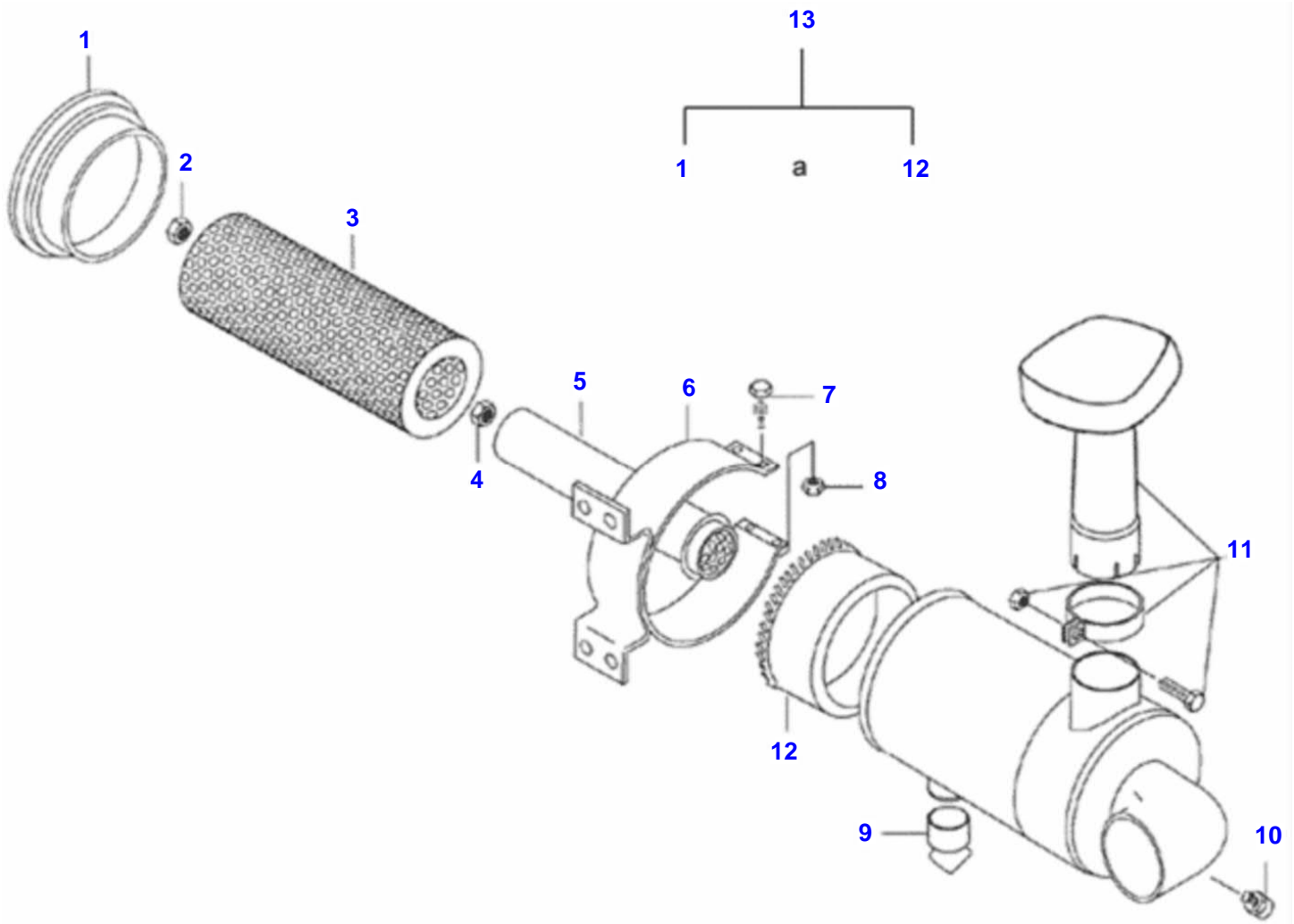
Engine Oil Cooler

Item	Part Number	Qty	Description	Comments
1	V836647133	1	Oil Filter	
2	V836129315	1	Oil Cooler	
3	V835331586	1	Seal	(2)
4	V836131366	1	Plug	
5	V836647405	1	Connection	
6	VGP3910	4	Clamp	
7	V836747124	4	Hose	
8	VKH3617	1	Collet	
9	V836129978	1	Hose	
10	V836747848	1	Pipe	
11	V641086015	1	Connection	
12	V836847930	1	Bracket	
13	VJB1108	1	Nut	
14	V602074615	1	Clamp	
15	VHA6323	1	Screw	
16	V836322190	1	Gasket	
17	V836659523	1	Spring	
18	V836129849	1	Cover	
19	VHA9230	2	Screw	
20	V836659521	1	Retention	
21	V836659522	1	Plate	



Sump

Item	Part Number	Qty	Description
1	V836752609	1	Oil Sump
2	V836129728	1	Gasket Sump
3	V836129727	2	Gasket Oil Sump
4	VHA8347	10	Screw
5	VHA8352	6	Screw
6	VJB1112	16	Nut
7	VKH3610	1	Collet
8	VGR0225	1	Plug
9	V836747067	1	Dipstick
10	V504861000	1	Nut
11	V836122910	1	Washer
12	V836338667	1	Gear
13	V836120195	1	Housing
14	V836120191	1	Shaft
15	V603305530	1	Key
16	V836652600	1	Gear
17	V836120193	1	Gear
18	V836119796	1	Gasket
19	V836129412	1	Cover
20	V529801440	2	Screw
21	V528801380	2	Bolt
22	V836007871	X	Spacing Plate
23	VHC8338	2	Screw
24	V836008449	3	Gasket
25	VHC9326	6	Screw
26	V836766983	1	Pressure Tube
27	V528801760	1	Bolt
28	V836138033	1	Suction Pipe
29	V581804800	2	Bolt
30	V836766984	1	Connection
31	V614701830	1	Snapping
32	V581804680	2	Allen Bolt
33	V836652605	1	Oil Pump



Air Filter

Item	Part Number	Qty	Description	Comments
1	V80306100	1	Cover	
2	V80060900	1	Nut	
3	V80270500	1	Filter Element	[A]
4	V80061000	1	Nut	
5	V80270400	1	Segurit Element	[B]
6	V80270300	1	Clamp	
7	V80304000	2	Bolt	
8	V80304100	2	Nut	
9	V80306200	1	Dust Valve	
10	V33389600	1	Sender	
11	V83634500	1	Rain Protectorin	
12	V81003700	1	Cyclone Housing	
13	V83634600	1	Complete	

FOOTNOTE [A] OUTER

FOOTNOTE [B] INNER

Thank you so much for reading.
Please click the “Buy Now!”
button below to download the
complete manual.



After you pay.

You can download the most
perfect and complete manual in
the world immediately.

Our support email:

ebooklibonline@outlook.com