

Page Title	Page Number
TOLL'S BOX	101-01-108
ADHESIVES (PORTUGUESE)	101-02-1811
ADHESIVES (SPANISH)	101-02-1813
ADHESIVES (ENGLISH)	101-02-1815
ADHESIVES (PORTUGUESE)	101-03-1812
ADHESIVES (SPANISH)	101-03-1814
ADHESIVES (ENGLISH)	101-03-1816
ADHESIVES (PORTUGUESE)	101-04-1959
ADHESIVES (SPANISH)	101-04-1965
ADHESIVES (ENGLISH)	101-04-1971
ADHESIVES (PORTUGUESE)	101-05-1960
ADHESIVES (SPANISH)	101-05-1966
ADHESIVES (ENGLISH)	101-05-1972
ADHESIVES (PORTUGUESE)	101-06-1962
ADHESIVES (SPANISH)	101-06-1967
ADHESIVES (ENGLISH)	101-06-1973
ADHESIVES (PORTUGUESE)	101-07-1963
ADHESIVES (SPANISH)	101-07-1968
ADHESIVES (ENGLISH)	101-07-1974
ADHESIVES (PORTUGUESE)	101-08-1964
ADHESIVES (SPANISH)	101-08-1969
ADHESIVES (ENGLISH)	101-08-1975
ADHESIVES - STANDARD (PORTUGUESE)	102-07-2157
CYLINDER BLOCK	021-01-8
FLYWHEEL AND HOUSING	021-02-9
CYLINDER HEAD	021-03-10
VALVE MECHANISM	021-04-11
CRANKSHAFT MECHANISM	021-05-12
FRONT COVER	021-06-1162
OIL COOLER	021-07-14
SUMP	021-08-15
AIR FILTER	021-09-1785
INLET AND EXHAUST MANIFOLD	021-11-1917
MUFFLER AND INSTALATION AIR FILTER	021-12-1786
SIDE MUFFLER	021-13-1930
TURBOCHARGER	021-14-19
SEDIMENTATION FILTER	022-01-20
FUEL FILTER	022-02-21
INJECTION PUMP	022-03-22
THROTTLE SYSTEM	022-05-1780
RADIATOR	023-01-1787
WATER PUMP	023-02-881
GASKET SET - S1	028-01-26
GASKET SET S1 + S2	028-02-27
ENGINE REPAIR KIT	028-03-28
STARTER MOTOR- 4,2K W	031-02-2058
ALTERNATOR ISKRA 55A- PLATFORM	031-04-1799
ALTERNATOR ISKRA 120A- CAB	031-06-1796
UPPER ELECTRICAL SYSTEM	032-01-1800
ELECTRICAL SYSTEM	032-02-1801

## TABLE OF CONTENTS

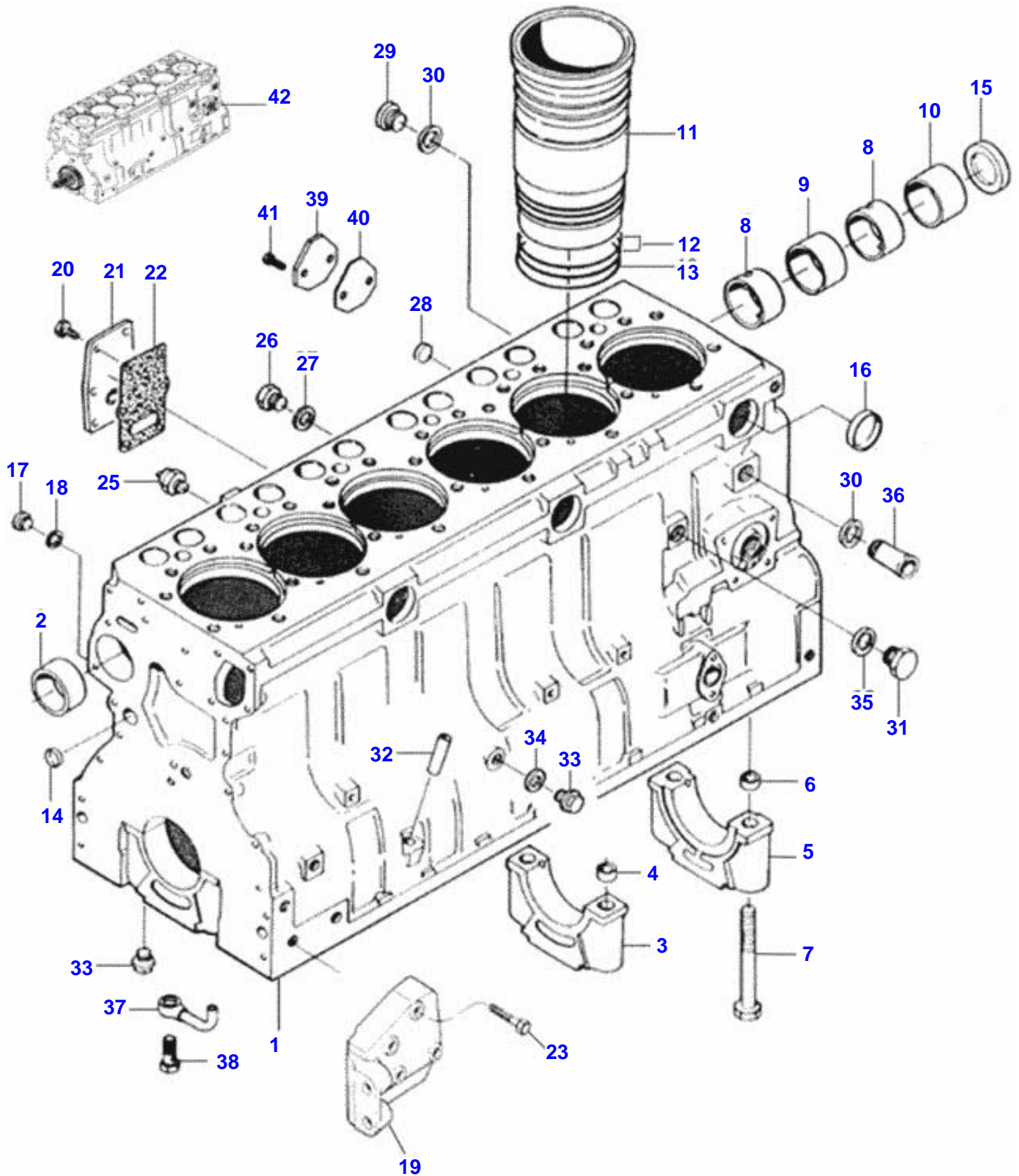
REAR ELETRICAL SYSTEM CAB	032-03-1802
INSTRUMENTS	032-04-1790
LIGHTS	032-05-1803
FRONT ELETRIC SYSTEM	032-07-1818
FRONT WINDOW WIPER	032-08-1821
BATTERY AND SUPPORT	032-09-1822
RADIO	039-02-1825
REAR WINDOW WIPER AND WASHER	039-04-38
FOG LIGHT (OPTIONAL)	039-06-1828
LIGHT NUMBER PLATE (OPTIONAL)	039-07-1829
SINGLE CLUTCH	041-01-1805
DOUBLE CLUTCH	041-02-1806
DOUBLE CLUTCH	041-03-47
SINGLE CLUTCH CONTROL	041-04-1807
DOUBLE CLUTCH CONTROL	041-05-1902
GEARBOX HOUSING	042-01-1354
COUNTERSHAFT, MAINSHAFT, BEVEL PINION SHAFT(HD)	042-03-50
DIFFERENTIAL	042-04-51
GEARBOX COOLING	042-05-1824
LEVERS HOUSING	042-06-1351
RANGE AND SPEED GEAR LEVERS	042-08-1910
GEARBOX SPEED MULTIPLYER	044-01-53
POWER TAKE OFF 540 RPM	046-01-745
PTO LEVER SYSTEM	046-02-1914
POWER TAKE OFF 540/1000 - 1000RPM	046-04-746
SERVICE BRAKE CONTROL DRIVE	051-01-57
CONTROL BRAKE SYSTEM	051-02-1843
FINAL DRIVES AND BRAKES	052-01-55
DIFFERENTIAL LOCK DRIVE	052-02-1844
STEERING WHEEL AND COLUMN	061-01-1832
STEERING WHEEL AND ADJUSTABLE COLUMN	061-02-1830
HYDRAULIC STEERING	061-03-1915
HYDROSTATIC STEERING UNIT DANFOSS	061-04-61
FRAME AND BEARING OF FRONT AXLE CARRARO	064-01-1933
ARTICULATION HOUSING CARRARO 20.43UP	064-02-63
FLANGE, BEVEL GEAR AND PINION CARRARO	064-03-64
DOUBLE JOINT CARRARO	064-04-66
PLANETARY GEAR HOUSING CARRARO	064-05-67
DIFFERENTIAL- CARRARO	064-06-65
CARDAN SHAFT	064-08-1546
FRONT DRIVE SELECTING	064-09-1778
FRONT DRIVE SELECTING	064-10-913
FRONT DRIVE SELECTING LEVER	064-11-1779
FRAME, BEARING AND CARDAN	068-01-849
DIFFERENTIAL AND AXLE HOUSING - 4WD ZF APL-359	068-02-850
SWIVEL HOUSING/PLANETARY GEAR 4WD ZF APL 359	068-03-851
STEERING CYLINDER AND ARM 4WD ZF APL-359	068-04-852
FUEL TANK	071-01-1842
FUEL TANK	071-02-1841
FRONT WHEEL 4 X 4	072-01-74
REAR WHEEL	072-02-1409
REAR WHEEL (OPTIONAL)	072-03-1410

DOUBLE REAR WHEEL	072-04-1411
BUFFER AND FRONT COUNTERWEIGHT	079-01-69
REAR WHEEL COUNTERWEIGHT (TYRE 18.4 AND 20.8 )- ACCESSORY	079-02-73
REAR WHELL COUNTERWEIGHT (TYRE 24.5) - ACCESSORY	079-03-75
REAR WHEEL COUNTERWEIGHT (TYRE 23.1) - ACCESSORY	079-04-76
REAR WHELL COUNTERWEIGHT (TYRE 24.5)	079-05-1542
ROOF	081-01-1879
CAB FRAME	081-03-1888
DOOR AND GLASS OF THE CAB	081-04-1770
FRONT GLASSES	081-05-1912
REAR WINDOW AND GLASS OF THE CAB	081-06-1885
WINDSCREEN	081-07-1769
INSULATING AND COATING FOR CAB	081-08-1894
FRONT MUDGUARDS	081-10-1891
REAR MUDGUARD	081-12-1890
SOFT SEAT (PART 1)	081-13-1298
SOFT SEAT (PART 2)	081-14-1297
SOFT SEAT (PART 3)	081-15-1296
SEAT FOR CAB (PART 1) OPTIONAL	081-16-1301
SEAT FOR CAB (PART 2) OPTIONAL	081-17-1299
SEAT FOR CAB (PART 3) OPTIONAL	081-18-1300
INSTRUMENTS PANEL	082-01-1886
PLATAFORM	083-01-1893
FRONT SHIELDS	083-02-1937
SAFETY FRAME AND ROOF (OPTIONAL )	089-01-1898
AIR CONDITIONING (OPTIONAL EQUIPMENT)	089-02-1838
HEATING UNIT	089-03-91
INTERN REAR VIEW MIRROR	089-05-1881
HYDRAULIC PUMP	091-01-917
HYDRAULIC VALVE	091-04-1874
GEARBOX UPPER COVER	091-05-96
NEW HYDRAULIC LEVER SYSTEM	091-07-1927
LIFT CYLINDER	091-08-97
UPPER LINK ROD AND PECKER LIFT	091-09-99
LIFT CONNECTION	091-10-100
TRAILER HITCH	091-11-911
BALL PIN TRACTION KIT	091-12-1903
AUXILIARY LIFT CYLINDER	091-13-101
AUXILIARY CYLINDER D=76,2MM	091-15-1569
HYDRAULIC OIL CONTAINER	091-17-1877
HYDRAULIC SYSTEM OF VARIABLE FLOW - 45L	092-01-2061
HYDRAULIC SYSTEM OF VARIABLE FLOW - 45L	092-02-2075
HYDRAULIC SYSTEM OF VARIABLE FLOW - 45L	092-03-2076
HYDRAULIC SYSTEM OF VARIABLE FLOW - 45L	092-04-2077
HYDRAULIC SYSTEM OF VARIABLE FLOW - 45L	092-05-2078
PRESSURE LINE OF VARIABLE FLOW 45L	092-06-2079
VARIABLE FLOW PUMP- 45L	092-07-2080
SUCTION LINE VARIABLE FLOW 45L	092-08-2081
LOAD SENSE VARIABLE FLOW 45L	092-09-2085
RETURN LINE - RADIATOR X TANK VARIABLE FLOW 45L	092-10-2086
RESPIRATION ADITIONAL TANK VARIABLE FLOW 45L	092-11-2087

## TABLE OF CONTENTS

RETURN COMMAND LINE VARIABLE FLOW 45L	092-12-2088
ADDITIONAL TANK OF VARIABLE FLOW 45L	092-13-2089
HYDRAULIC COMMAND OF VARIABLE FLOW 45L	092-14-2090
HYDRAULIC PUMP AND PIPES SYSTEM DNC65	093-01-2050
REMOTE CONTROL VALVE- DNC65	093-02-2029
RESERVOIR OIL-DNC65	093-03-2047
DIRECTIONAL CONTROL VALVES LEVERS-DNC65	093-04-1931
SIDE HYDRAULICA PUMP- HIFLOW	094-01-2008
SIDE PUMP SUCTION PIPE - HIFLOW	094-02-2007
FRONT HYDRAULIC PUMP- HIFLOW	094-03-2004
FRONT PUMP SUCTION PIPE- HIFLOW	094-04-2009
PRESSURE PIPE - HIFLOW	094-05-2020
PRESSURE PIPE - HIFLOW	094-06-2021
CONNECTION BLOCK - HIFLOW	094-07-2024
DEPART CONTROL VALVE - HIFLOW	094-08-2023
REMOTE CONTROL VALVE- HIFLOW DNC120	094-09-2022
HYDRAULIC SYSTEM SUPPORT - HIFLOW	094-10-2025
HYDRAULIC OIL CONTAINER - HIFLOW	094-11-2026
HYDRAULIC OIL COOLER - HIFLOW	094-12-2027
FRONT CARDAN OF PUMP (DANA) HIFLOW	094-13-2006
FRONT CARDAN OF PUMP (NM) HIFLOW	094-14-2005
ELETRONIC HILIFT	095-01-1919
ELETRONIC HILIFT OVERFLOW	095-02-1923
ASSEMBLED ELETRICAL EHRB	095-03-1924
COMMON HILIFT	095-04-1925
COMMON HILIFT	095-05-1998
PLANTING IMPLEMENT KIT	096-01-1470
PLANTING IMPLEMENT KIT	096-02-868
PLANTING IMPLEMENT KIT	096-03-869
SUGAR CANE IMPLEMENT WITH MOTOR	096-04-867
SUGAR CANE IMPLEMENT WITH MOTOR	096-04-871
SUGAR CANE IMPLEMENT WITH MOTOR	096-05-870
SUGAR CANE IMPLEMENT WITHOUT MOTOR	096-06-859
SUGAR CANE IMPLEMENT WITHOUT MOTOR	096-07-857

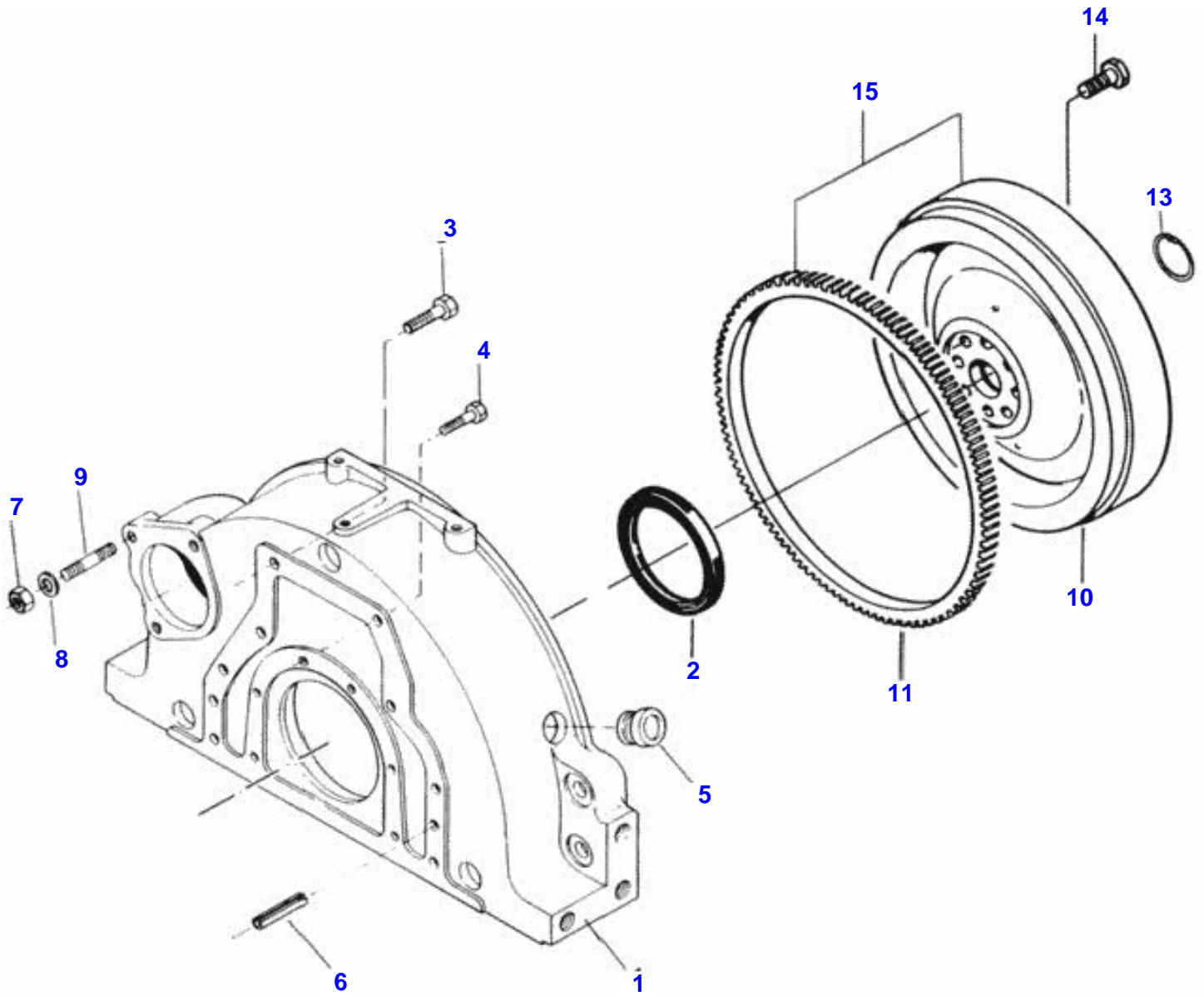
BH145 TRACTOR (BRAZIL)  
CYLINDER BLOCK



## CYLINDER BLOCK

Item	Part Number	Qty	Description	Comments
1	V837070103	1	Cylinder block	Ref. 2-10
2	V836866036	1	Bushing 1st undersize	
	V836866069	1	Bushing	
3	V	6	Bearing cover	*
4	V836214478	12	Guide bushing	
5	V	1	Bearing cover	*
6	V836214478	2	Guide bushing	
7	V529903180	14	Screw	
8	V836852460	2	Bushing	
	V836852466	2	Bushing 1st undersize	
9	V836852459	1	Bushing	
	V836852460	1	Bushing	
10	V836852461	1	Bushing	
	V836852467	1	Bushing 1st undersize	
11	V836666900	6	Cylinder liner	Ref. 12 e 13 s=9,03 std
	V836647933	6	Cylinder liner	s= 9,08mm
	V836647934	6	Cylinder liner	s= 9,13mm
	V836647935	6	Cylinder liner	s= 9,23mm
12	V836647502	12	O-ring, cylinder liner	S2
13	V836647503	6	O-ring, cylinder liner	S2
14	V640016016	4	Plug ring cylinder block	S2
15	V836852744	1	Plug	
16	V640016040	3	Plug	
17	VGR0261	4	Plug	
18	V615571014	4	Seal ring	S2
19	V82055800	1	Right support	
	V836852656	1	Left support	
20	VHC9326	6	Screw	
21	V836847994	1	Cover	
22	V836322852	1	Gasket cover	S2
23	V529802682	8	Screw	
25	V887283760	1	Pressure switch	
26	VGR0277	1	Plug	
27	VKH3625	1	Seal ring	S2
28	VGR5111	3	Plug	
29	V640325018	1	Plug	
30	V615881822	2	Seal ring	S2
31	V836019756	1	Plug	
32	V836014334	1	Pipe	
33	V640305012	7	Plug	
34	V615881216	1	O-ring	S2
35	VKH3617	1	Seal ring	S2
36	V82615500	1	Pipe	
42	V88659600	1	Shot engine	
			Delivered only complete with block	

BH145 TRACTOR (BRAZIL)  
FLYWHEEL AND HOUSING

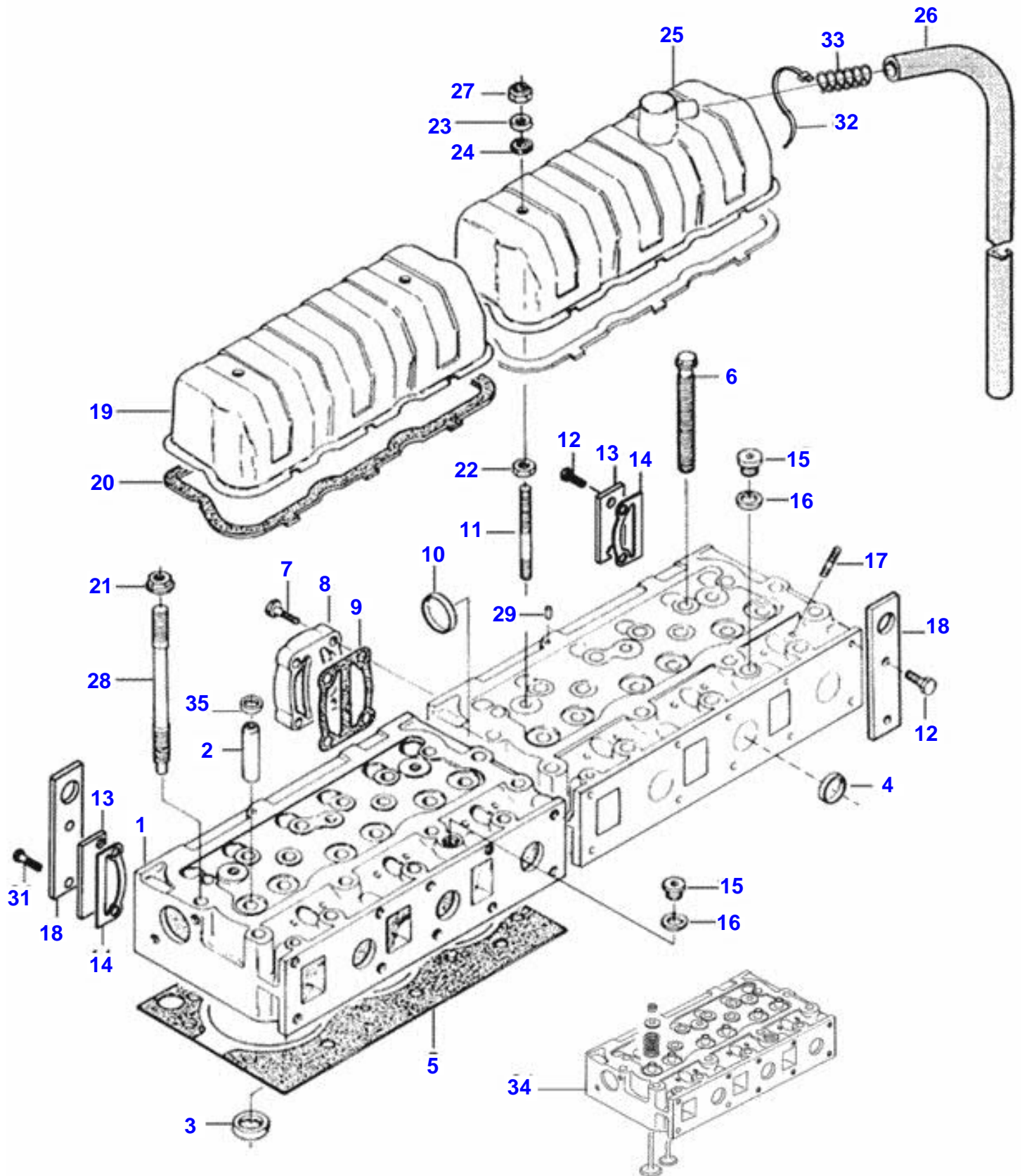


## FLYWHEEL AND HOUSING

Item	Part Number	Qty	Description	Comments
1	V82052610	1	Flywheel housing	
2	V614500002	1	Oil seal, crankshaft	S2
3	V528902230	7	Screw	
4	V581705030	6	Screw	
5	V836007572	1	Plug	
6	VJE8802	2	Pin	
7	VJB1110	3	Nut	
8	V500951000	3	Washer	
9	V546801800	3	Stud bolt	
10	V82063010	1	Flywheel	*
	V82060400	1	Flywheel	**
11	V835328783	1	Gear rim	
13	VKG3072	1	Circlip	**
14	V529902250	7	Screw	
15	V85815900	1	Flywheel and gear rim	*
	V82060300	1	Flywheel and gear rim	**
			Single clutch	
			Double clutch	



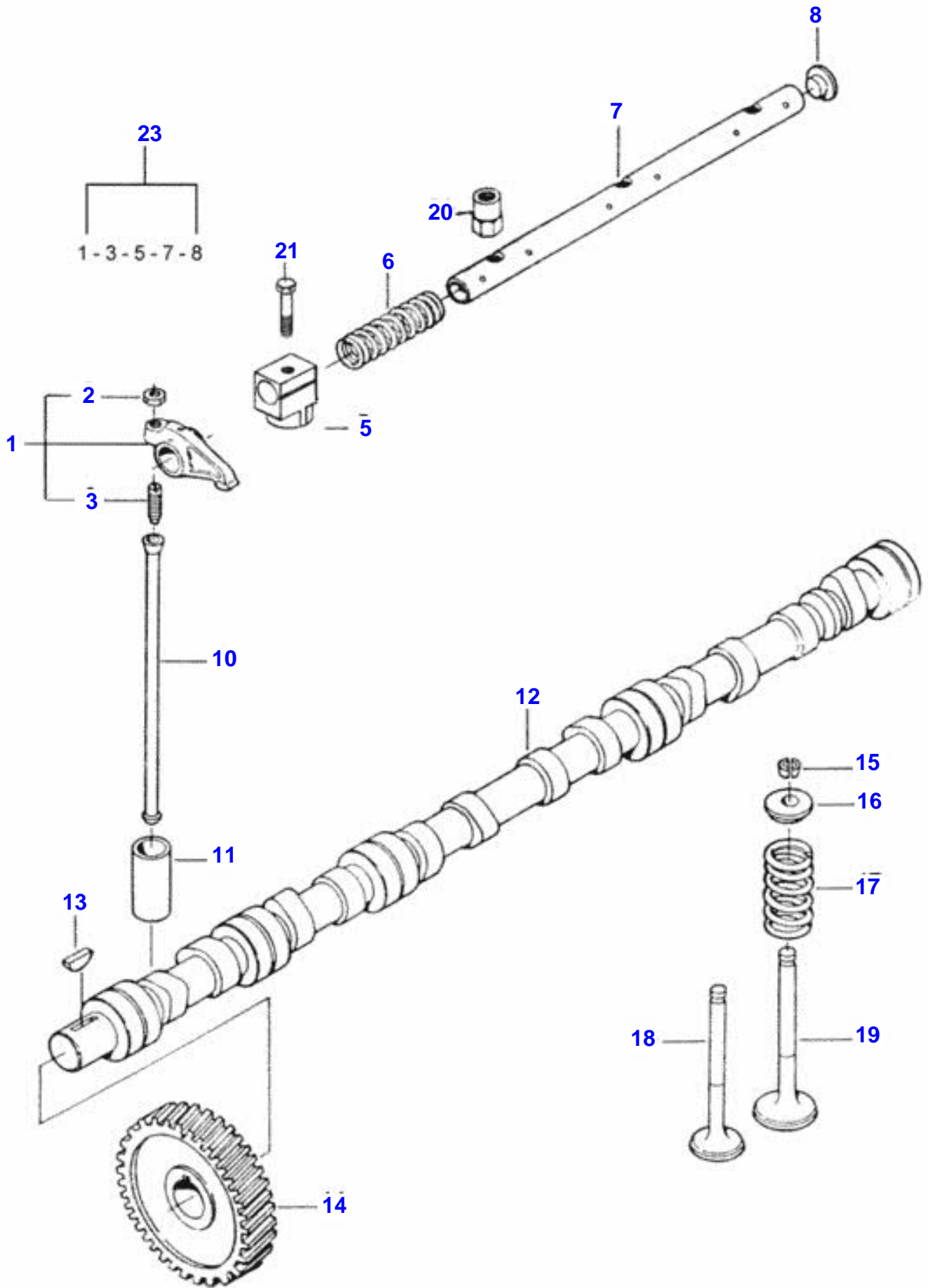
BH145 TRACTOR (BRAZIL)  
CYLINDER HEAD



## CYLINDER HEAD

Item	Part Number	Qty	Description	Comments
1	V836855381	2	Cylinder head	
2	V836673175	12	Valve guide	
3	V836647600	6	Valve seat	
	V836647936	6	Intake valve	
4	V836647942	10	Cover	
5	V837070290	2	Cylinder head gasket	S1
6	V836859104	32	Screw	
7	VHA6323	4	Screw	
8	V836855348	1	Connecting part	
9	V836846447	1	Gasket	S1
10	V640016045	1	Cover	
11	V546801900	4	Stud bolt	
12	V528801800	4	Screw	
13	V836855350	2	Cover	
14	V836846449	2	Gasket cover	S1
15	V640325018	2	Plug	
16	VKH3617	2	Seal ring	S1
17	V546901435	12	Stud bolt	
18	V836855349	2	Suspension lifteye	
19	V836846448	1	Cover	
20	V836646360	2	Gasket valve cover	S1
21	V836859110	2	Nut	
22	VJB1110	4	Nut	
23	V836119855	4	Washer	
24	V836012841	4	Rubber washer	S1
25	V836646359	1	Cover	
26	V835338706	1	Hose	
27	VJB8905	4	Nut	
28	V836859109	2	Stud bolt	
29	V595959140	2	Pressure pin	
31	V528801820	2	Screw	
32	V243020	1	Clamp	
33	V836659103	1	Spring	
34	V89605400	2	Assy cylinder head	
35	V837073166	1	Oil seal	

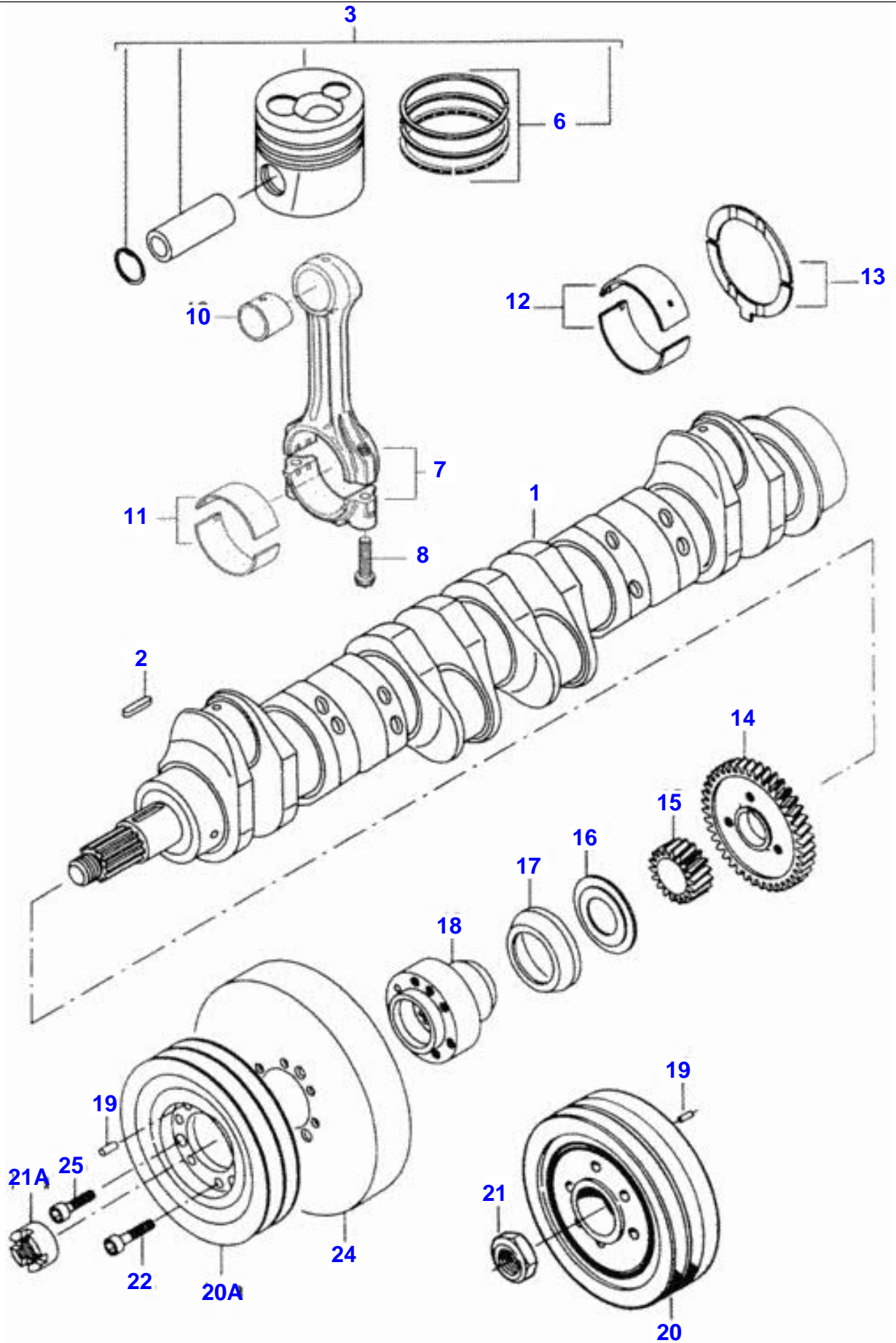
BH145 TRACTOR (BRAZIL)  
VALVE MECHANISM



## VALVE MECHANISM

Item	Part Number	Qty	Description	Comments
1	V836667042	12	Assy rocker arm	Ref. 2, 3
2	V512861000	12	Nut	
3	V837069023	12	Screw	
5	V836666609	6	Bracket	
6	V836655884	4	Compresion Spring	
7	V836655870	2	Shaft	
8	V837069020	4	Plug	
10	V836655867	12	Push rod	
11	V836014264	12	Valve tappet	
12	V836866054	1	Valve control axle	
13	V603305760	1	Shifting	
14	V836646389	1	Gear	
15	V836646382	24	Valve cotter	
16	V836646381	12	Spring plate	
17	V837073405	12	Spring	
18	V836646357	6	Exhaust vane	
19	V836646356	6	Intake valve	
20	V836655406	6	Nut	
21	V529801910	2	Screw	
23	V836667043	2	Valve mechanism - assembly	Ref. 1-3, 5-7, 8

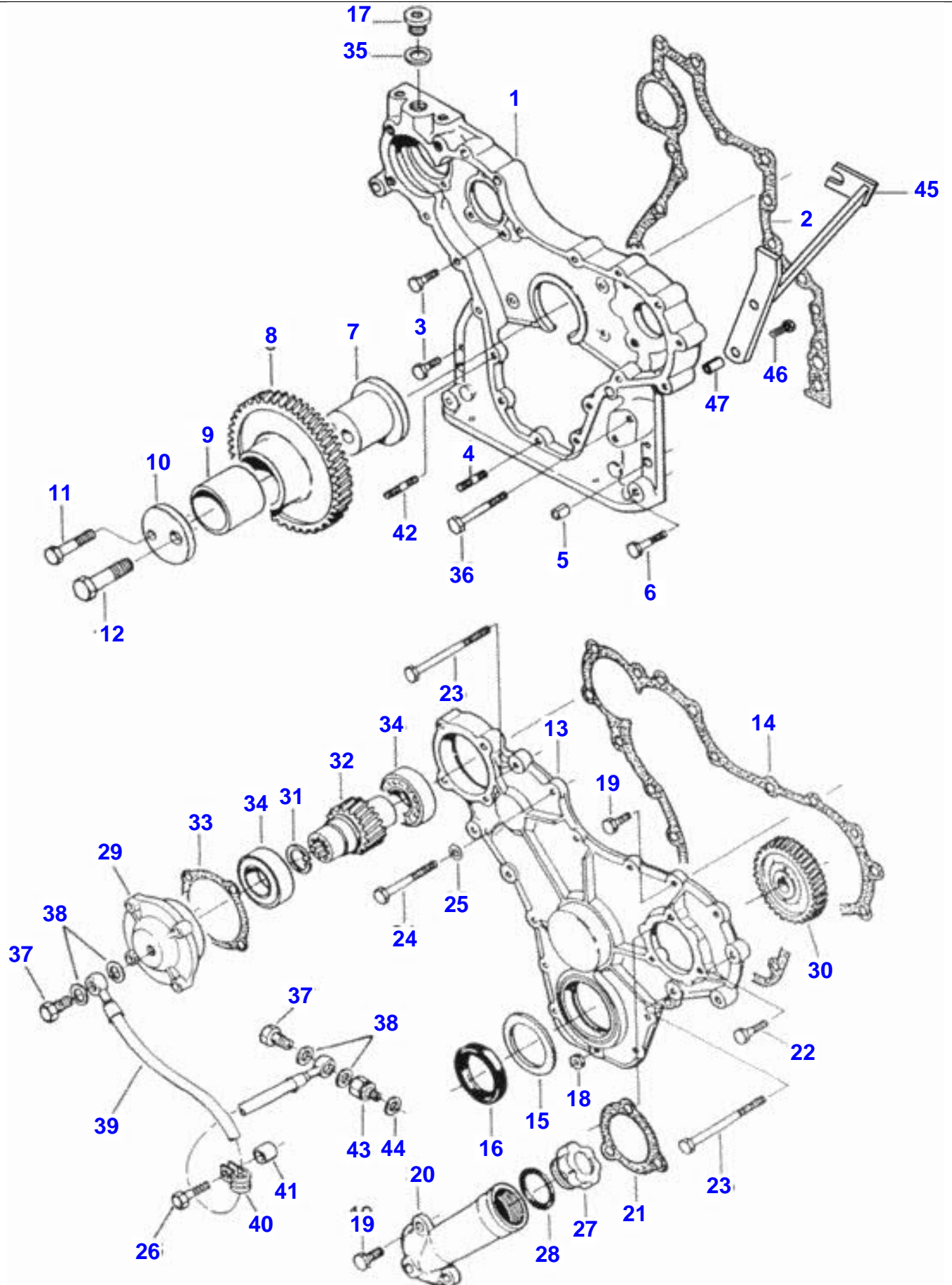
# BH145 TRACTOR (BRAZIL) CRANKSHAFT MECHANISM



## CRANKSHAFT MECHANISM

Item	Part Number	Qty	Description	Comments
1	V836859075	1	Crankshaft	
	V836873379	1	Crankshaft	(*)
2	V603345110	1	Shifting	
3	V836640073	6	Complete piston	
6	V836640078	6	Piston ring set	
7	V82659900	1	Connecting rod 6 cylinders kit	
8	V836864141	12	Screw	
10	V836646271	6	Bushing	
11	V836110552	6	Big-end bearing STD	
	V836112762	6	Big-end bearing 0,25 mm	
	V836112763	6	Big-end bearing 0,50 mm	
	V836112765	6	Big-end bearing 1,00 mm	
	V836112767	6	Big-end bearing 1,50 mm	
12	V836840944	6	Big-end bearing STD	
	V836655514	7	Big-end bearing STD	
	V836655536	7	Main bearing 0,25mm	
	V836655537	7	Main bearing 0,50mm	
	V836655538	7	Main bearing 1,00mm	
	V836655539	7	Main bearing 1,50mm	
	V836840978	6	Big-end bearing 0,25 mm	(*) 1 齧 reparo
	V836840979	6	Big-end bearing 0,50 mm	(*) 2 齧 reparo
	V836840980	6	Big-end bearing 1,00 mm	(*) 3 齧 reparo
	V836840981	6	Big-end bearing 1,50 mm	(*) 4 齧 reparo
13	V836879152	1	Thrust ring STD	(*)
	V836840982	2	Stop ring 0,10mm	(*)
	V836840983	2	Stop ring 0,20mm	(*)
	V836120332	2	Thrust washer	0,10 mm
	V836120333	2	Thrust washer	0,20 mm
	V836119459	2	Thrust washer	Standard
14	V836119550	1	Gear	
15	V836122840	1	Gear	
16	V836129781	1	Ring	
17	V836136271	1	Dust cover	
18	V836846463	1	Hub	
19	V595953360	1	Pin	
20	V836864290	1	Pulley	
21	V836847641	1	Nut	
22	V581804680	6	Set screw	

BH145 TRACTOR (BRAZIL)  
FRONT COVER

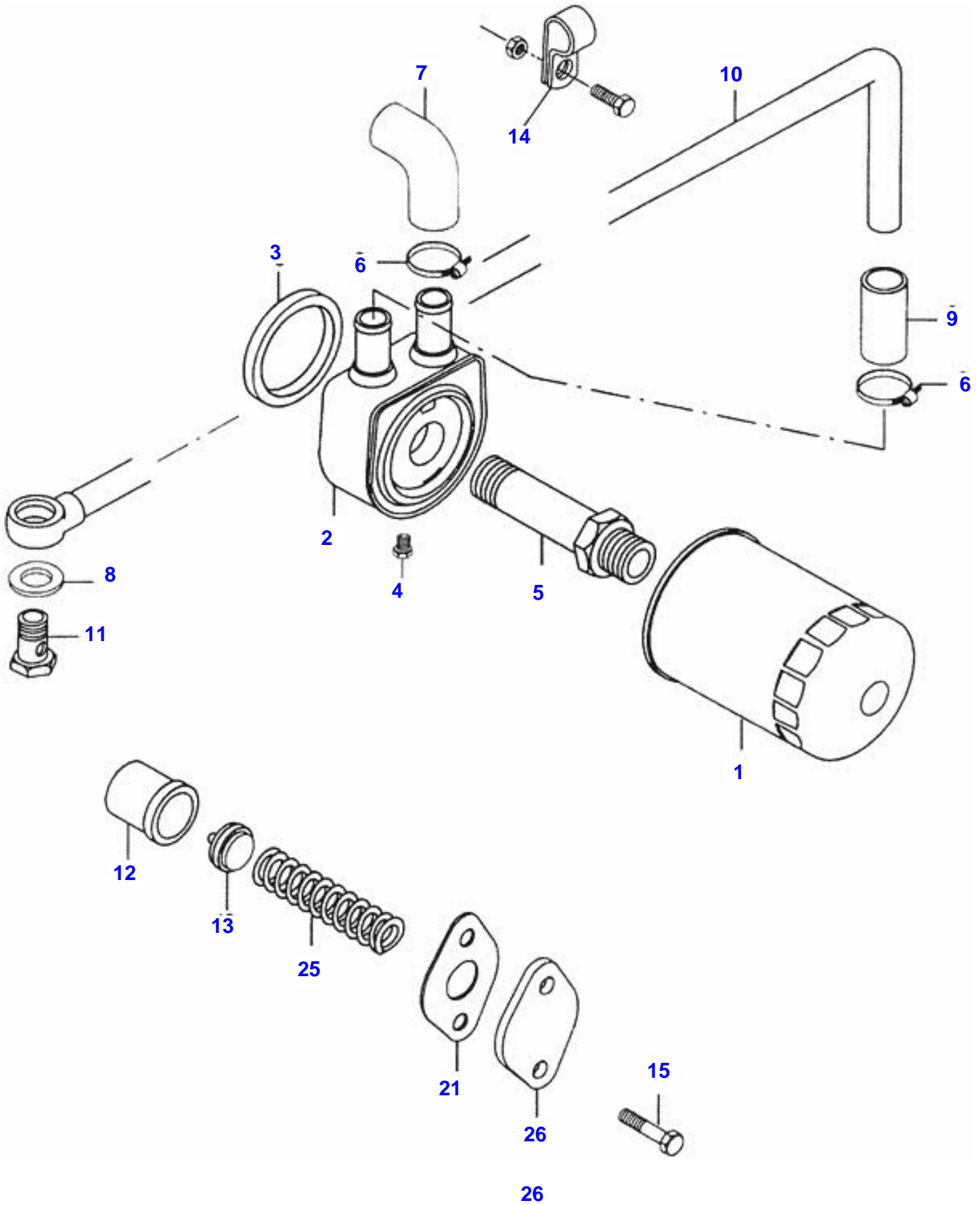


## FRONT COVER

Item	Part Number	Qty	Description	Comments
1	V836652221	1	Gear housing	
2	V836647419	1	Gasket gear housing	S2
3	VHA6324	10	Screw	
4	V546801380	4	Stud bolt	
5	VJE8802	4	Pin	
6	V529801440	2	Screw	
7	V836766127	1	Shaft	
8	V836138354	1	Gear assy	A=9
9	V836139039	1	Bushing	
10	V836129845	1	Washer	
11	V529801910	1	Screw	
12	V529902720	1	Screw	
13	V836647575	1	Cover	
14	V835336796	1	Gasket front cover	S2
15	V836129782	1	Shield ring	
16	V836673387	1	Oil seal, crankshaft	S2
17	V640325018	1	Plug	
18	VJB1108	4	Nut	
19	VHA9326	6	Screw	
20	V836746921	1	Pipe	
21	V89617700	1	Silicone Gasket cover	S2
22	VHA9230	3	Screw	
23	V529801500	2	Screw	
24	VHA8328	3	Screw	
25	V836120989	1	Washer	
26	V529801460	4	Screw	
27	V836338733	1	Cover	
28	V614604740	1	O-ring, oil cap	S2
29	V836655230	1	Bearing housing	
30	V836847891	1	Gear	
31	VKG3031	1	Circlip	
32	V836122843	1	Shaft	
33	V835336793	1	Gasket, bearing cover	S2
34	V610060096	2	Bearing	
35	V615881822	1	Seal ring	S2
36	VHA8327	1	Screw	
37	V835331289	2	Screw	
38	V615870610	4	Seal washer	
39	V82607600	1	Hose	
40	V602060612	1	Clamp	
41	V836119296	1	Spacer	
42	V546801410	1	Stud bolt	
43	V836655233	1	Connection	
44	V615571014	1	Seal ring	



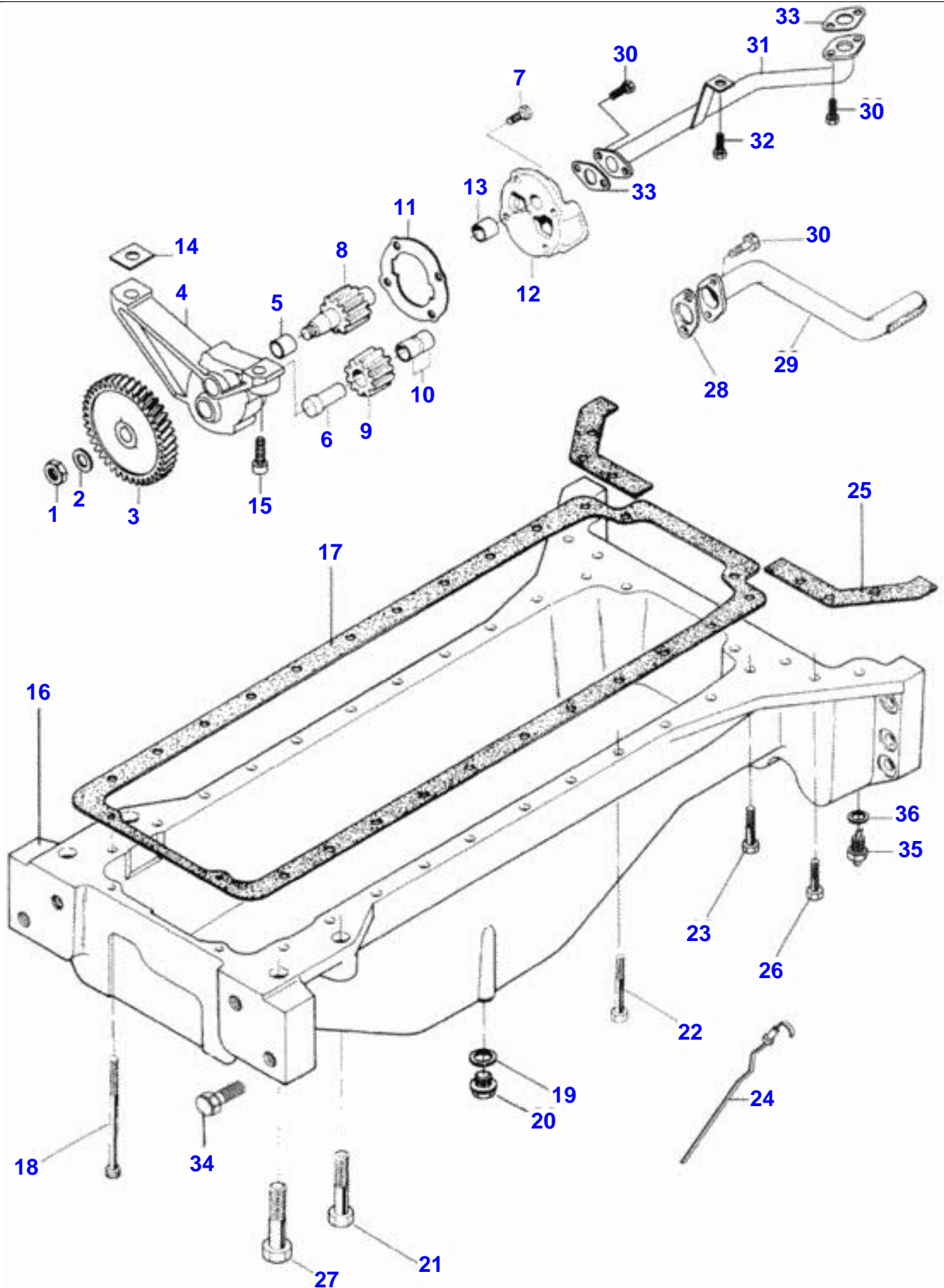
BH145 TRACTOR (BRAZIL)  
OIL COOLER



## OIL COOLER

Item	Part Number	Qty	Description	Comments
1	V836647133	1	Oil filter	
2	V836859699	1	Oil cooler	Ref. 3 e 4
3	V82689000	1	Seal ring	
4	V836131366	1	Plug	
5	V82613100	1	Connection	
6	VGP3910	4	Clamp	
7	V836747124	1	Hose	
8	VKH3617	2	Seal ring	S2
9	V836129978	1	Hose	
10	V836847929	1	Pipe	
11	V640435015	1	Screw	
12	V836659521	1	Seat valve	
13	V836659522	1	Valve plate	
14	V602074615	1	Clamp	
15	VH腕6323	2	Screw	
21	V836322190	1	Gasket	S2
25	V836659523	1	Spring	
26	V836659524	1	Cover	

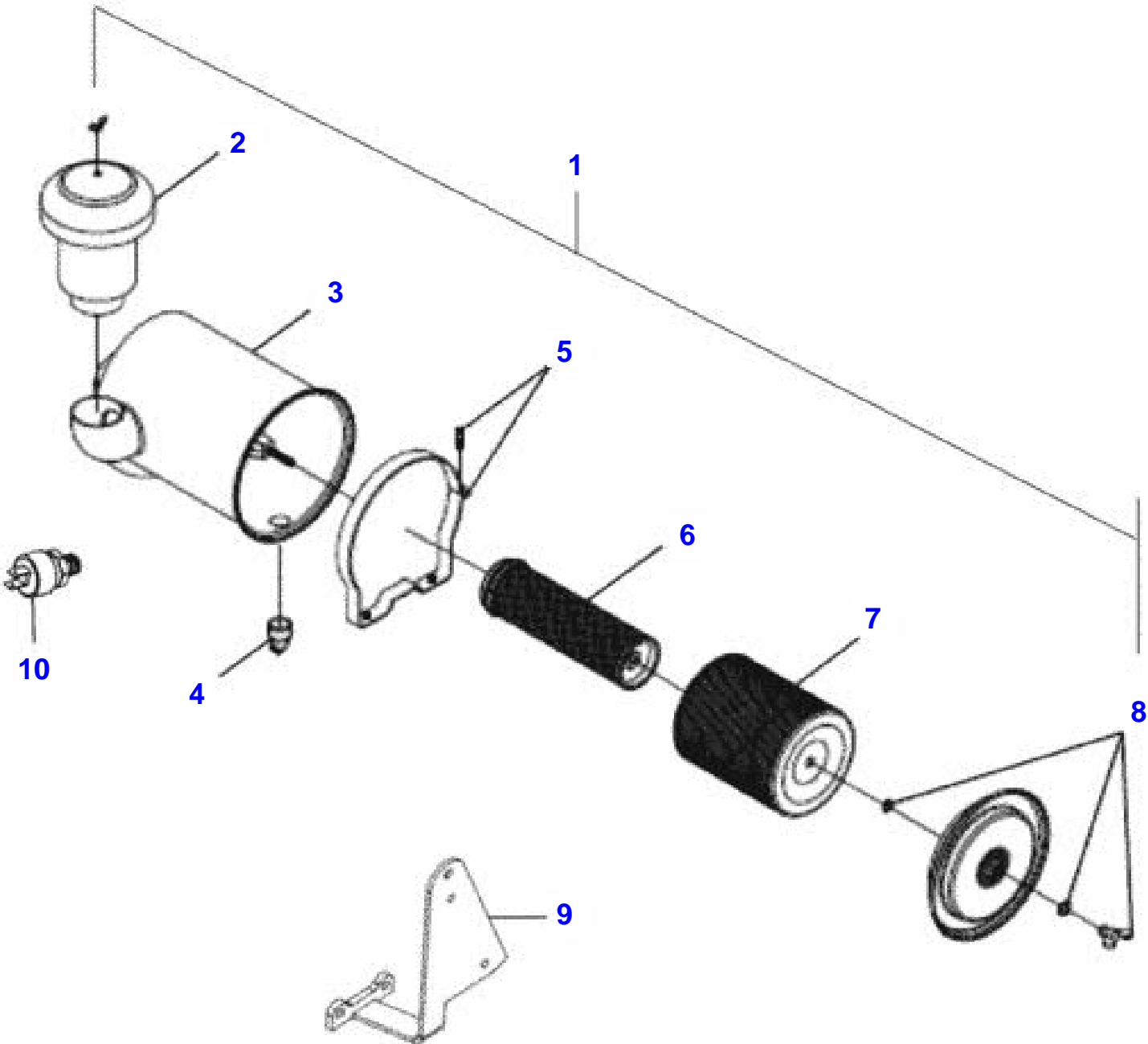
BH145 TRACTOR (BRAZIL)  
SUMP



## SUMP

Item	Part Number	Qty	Description	Comments
-	V836855300	1	Built oil pump	Ref. 1 a 13
1	V504861000	1	Nut	
2	V836122910	1	Washer	
3	V836338667	1	Gear	
4	V836338186	1	Housing	
5	V836322909	1	Bushing	
6	V836338668	1	Shaft	
7	VHA6323	4	Screw	
8	V836338181	1	Gear	
9	V836338180	1	Gear	
10	V836322909	2	Bushing	
11	V836338188	1	Gasket	S2
12	V836855297	1	Cover	
13	V836322909	1	Bushing	
14	V836007871	-	Spacing plate	*
15	VHC8338	2	Screw	
16	V82052500	1	Sump	
17	V89617500	1	Gasket, oil sump	S2
18	V581704830	2	Screw	
19	VKH3635	1	Seal ring	S2
20	VGR0277	1	Plug	
21	V529903990	2	Screw	
22	V529701880	22	Screw	
23	V82060200	2	Screw	
24	V82083700	1	Dipstick	
25	V82065000	2	Gasket	
26	V581705030	6	Screw	
27	V82064700	2	Screw	
28	V836122282	1	Gasket, oil pipe	S2
29	V82650900	1	Pipe	
30	VHC9326	6	Screw	
31	V82650800	1	Pressure tube	
32	VHA6322	1	Screw	
33	V836008449	2	Gasket, oil pipe	S2
34	VHA6370	2	Screw	M20 x 60mm
35	V82675800	2	Bolt	
36	VJD3116	2	Washer	
			According to necessity	

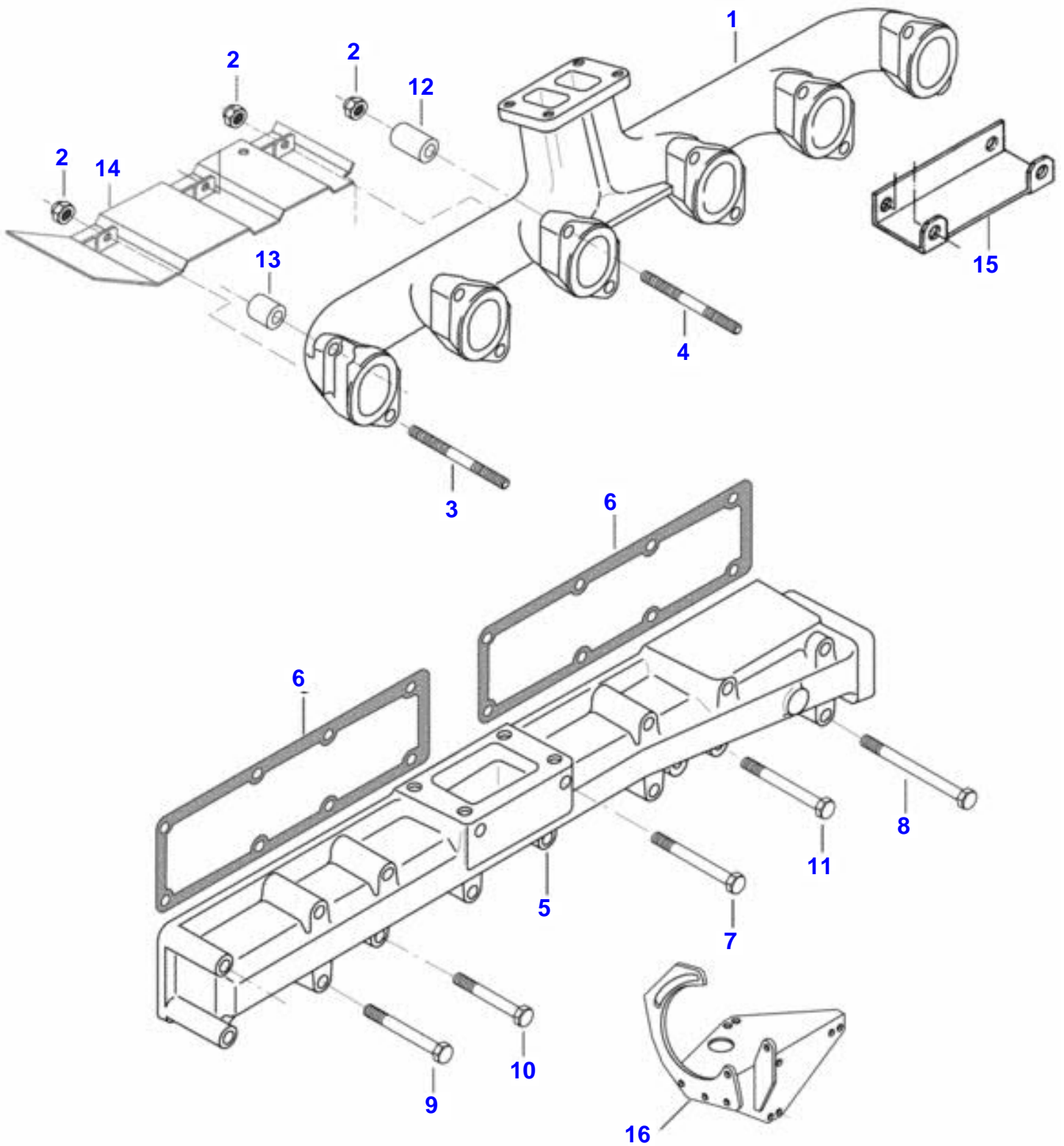
BH145 TRACTOR (BRAZIL)  
AIR FILTER



## AIR FILTER

Item	Part Number	Qty	Description	Comments
1	V83648100	1	Complete air filter	De 2 a 8
2	V83638000	1	Prefilter	
3	V83637900	1	Housing	
4	V82649700	1	Valve	
5	V82649900	1	Clamp	
6	V82649600	1	Segurit element	
7	V82649500	1	Filter element	
8	V82650000	1	Complete cover	
9	V83674600	1	Air filter support	
10	V33389600	1	Restriction indicator sensor	

BH145 TRACTOR (BRAZIL)  
INLET AND EXHAUST MANIFOLD

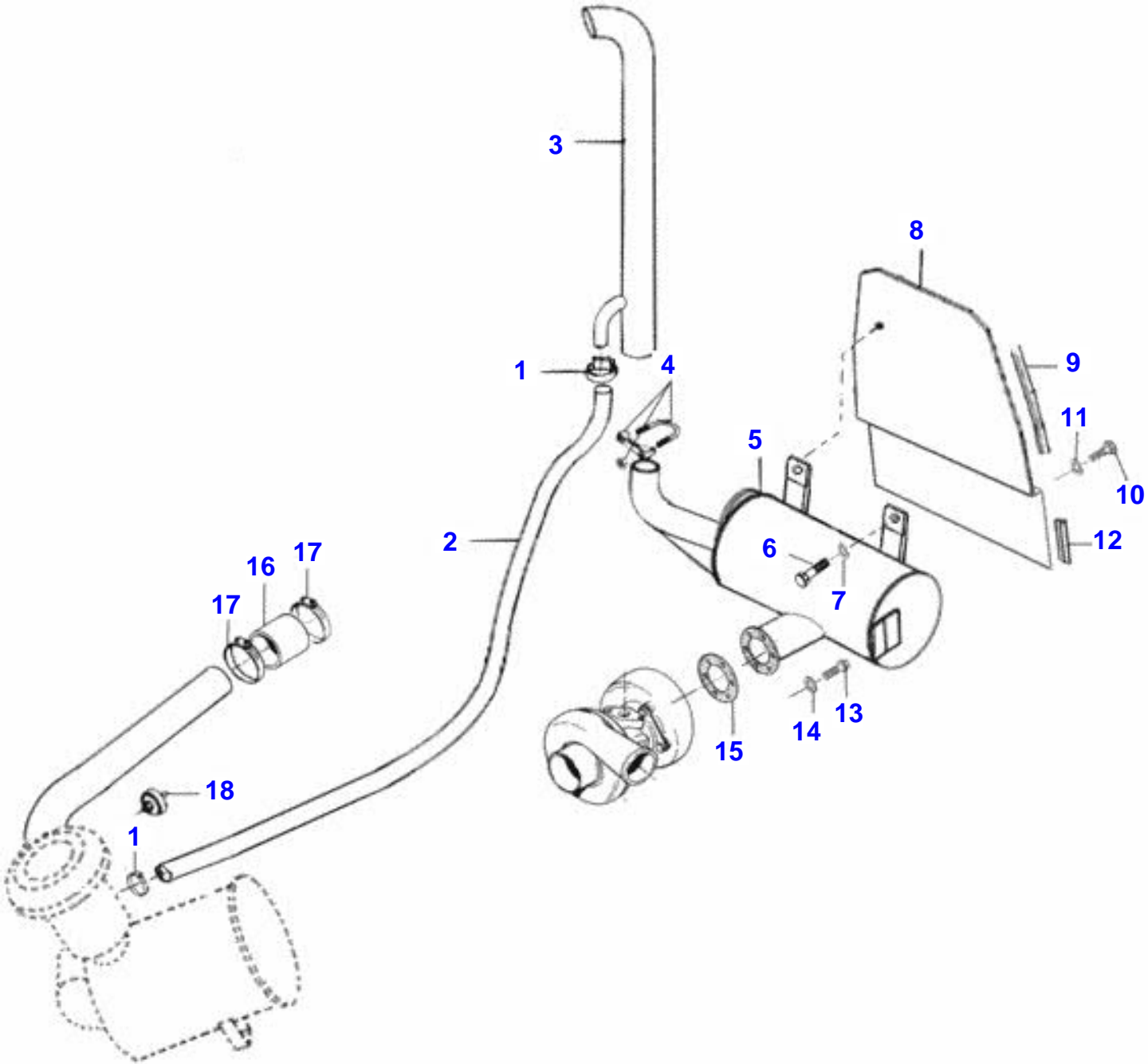


## INLET AND EXHAUST MANIFOLD

Item	Part Number	Qty	Description	Comments
1	V836867065	1	Exhaust manifold	
2	VJB1110	12	Nut	
3	V836859188	10	Stud bolt	
4	V836855955	2	Stud bolt	
5	V836847493	1	Intake manifold	
6	V836847496	2	Intake manifold gasket	S1
7	VHA9206	3	Screw	
8	V529801562	2	Screw	
9	VHA8330	9	Screw	
10	VHA8328	1	Screw	
11	VHA8331	1	Screw	
12	V836664012	2	Spacer	
13	V836664013	10	Spacer	
14	V83659900	1	Deflector	
15	V836647945	1	Deflector	
16	V85962000	1	Compressor bracket	Ver BS12/10



BH145 TRACTOR (BRAZIL)  
MUFFLER AND INSTALATION AIR FILTER



Thank you so much for reading.  
Please click the “Buy Now!”  
button below to download the  
complete manual.



After you pay.

You can download the most  
perfect and complete manual in  
the world immediately.

Our support email:

[ebooklibonline@outlook.com](mailto:ebooklibonline@outlook.com)