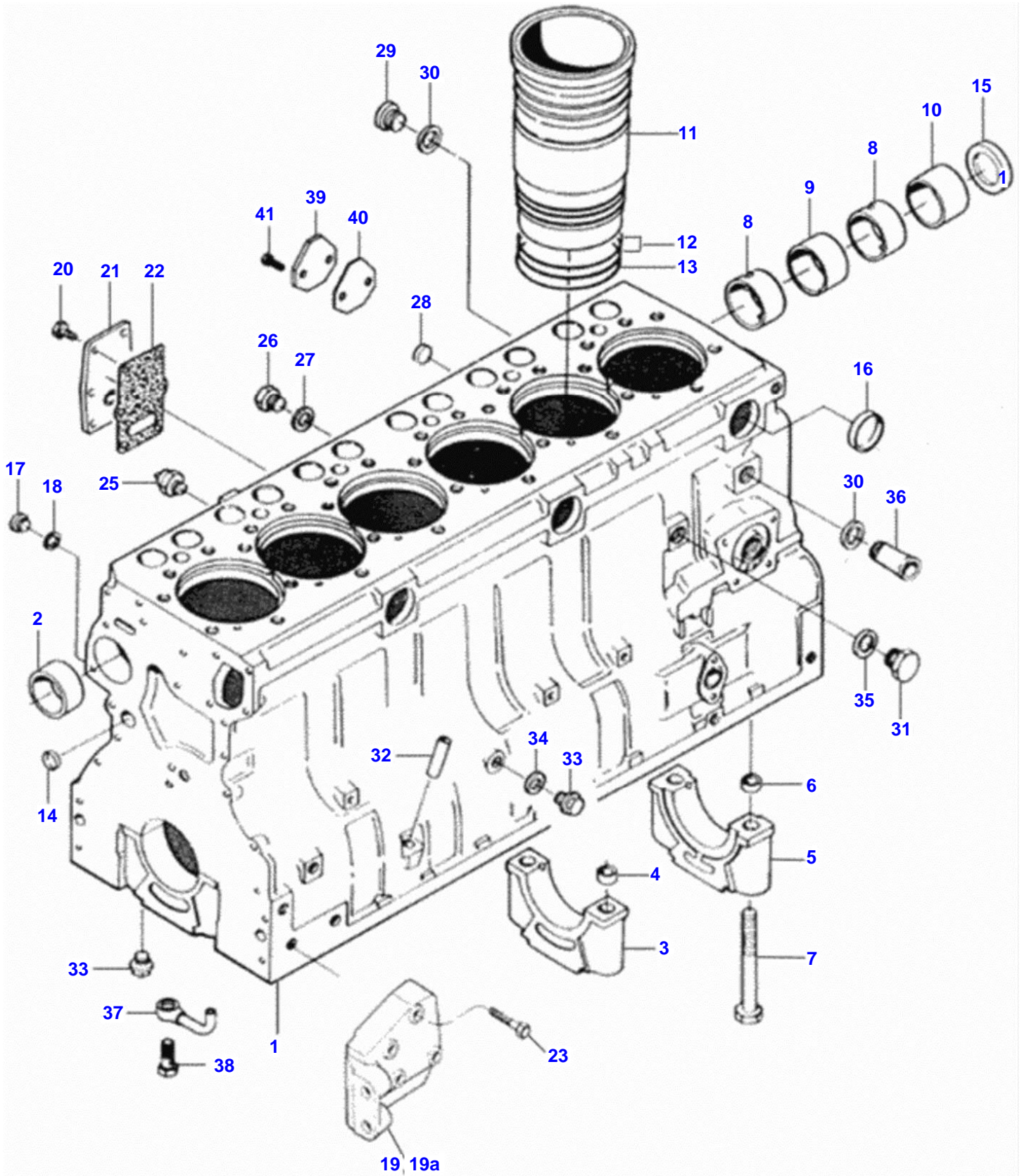


Page Number	Page Title	Page Reference
01-000-TOC	ENGINE, FUEL AND EXHAUST SYSTEM	01-000-TOC
02-000-TOC	AXLES	02-000-TOC
03-000-TOC	STEERING SYSTEM	03-000-TOC
04-000-TOC	DRIVE TRAIN SYSTEM	04-000-TOC
05-000-TOC	HYDRAULIC SYSTEM	05-000-TOC
06-000-TOC	ELECTRICAL SYSTEM	06-000-TOC
07-000-TOC	CAB	07-000-TOC
08-000-TOC	DECALS	08-000-TOC
09-000-TOC	WHEELS	09-000-TOC
10-000-TOC	ACCESSORIES	10-000-TOC

Page Number	Page Title	Page Reference
01-0001	CYLINDER BLOCK	V116Z008-1
01-0002	FLYWHEEL AND HOUSING	V201Z004-1
01-0003	CYLINDER HEAD	V120Z008-1
01-0004	VALVE MECHANISM	V660Z004-1
01-0005	CRANKSHAFT MECHANISM	V113Z008-1
01-0006	FRONT COVER	V240Z004-1
01-0007	OIL COOLER	V434Z004-1
01-0008	SUMP	V631Z008-1
01-0009	AIR FILTER	V019Z008-1
01-0010	AIR FILTER - OLD MODEL	V020Z002-1
01-0011	INLET AND EXHAUST MANIFOLD	V378Z008-1
01-0012	MUFFLER AND INSTALATION AIR FILTER	V425Z005-1
01-0013	MUFFLER AND INSTALATION AIR FILTER	V425Z006-1
01-0014	TURBOCHARGER	V653Z006-1
01-0015	SEDIMENTATION FILTER	V571Z008-1
01-0016	FUEL FILTER	V268Z008-1
01-0017	INJECTION PUMP	V369Z008-1
01-0018	THROTTLE SYSTEM	V641Z008-1
01-0019	RADIATOR	V475Z008-1
01-0020	WATER PUMP	V665Z005-1
01-0021	GASKET SET - S1	V288Z004-1
01-0022	GASKET KIT S1 + S2	V286Z004-1
01-0023	ENGINE REPAIR KIT	V185Z004-1
01-0024	FUEL TANK	V280Z009-1

BH160 TRACTOR (BR)
0000008



Item	Part Number	Qty	Description Comments	Technical Specification
1	V836866110	1	CYLINDER BLOCK Ref. 2-10	
2	V836866069	1	CAMSHAFT BEARING BUSH	
3	V836866036	1	CAMSHAFT BEARING BUSH	+ 0.40 MM
		6	BEARING COVER [A]	
4	V836214478	12	GUIDE SLEEVE	
5		1	BEARING COVER [A]	
6	V836214478	2	GUIDE SLEEVE	
7	V529903180	14	HEX CAP SCREW	
8	V836852466	2	CAMSHAFT BEARING BUSH	
	V836852460	2	CAMSHAFT BEARING BUSH	
9	V836852460	1	CAMSHAFT BEARING BUSH	
	V836852459	1	CAMSHAFT BEARING BUSH	
10	V836852467	1	CAMSHAFT BEARING BUSH	
	V836852461	1	CAMSHAFT BEARING BUSH	
11	V836666990	6	LINER s=9,03 std	
	V836647934	6	LINER s= 9,13mm	
	V836647935	6	LINER s= 9,23mm	
	V836647933	6	LINER s= 9,08mm	
12	V836647502	12	CYLINDER LINER O-RING S2	
13	V836647503	6	CYLINDER LINER O-RING S2	
14	V640016016	4	CUP PLUG S2	
15	V836852744	1	PLUG	
16	V640016040	3	CUP PLUG	
17	VGR0261	4	PLUG	M10 X 1 DIN910 5.8
18	V615571014	4	SEALING WASHER S2	
19	V82055800	1	RIGHT HAND CARRIER RIGHT HAND	
	V836852656	1	ENGINE MOUNT LEFT HAND	
20	VHC9326	6	HEX SOCKET SCREW	M8 X 20 SFS_EN_ISO_4762 8.8
21	V836847994	1	FLANGE	
22	V836322852	1	GASKET S2	
23	V529802682	8	HEX CAP SCREW	
25	V887283760	1	PRESSURE SWITCH	
26	VGR0277	1	PLUG	M16 (1.5)
27	VKH3625	1	GASKET S2	10 X 13.5 X 1 DIN7603 CU
28	V640016018	3	CUP PLUG	
29	V640325018	1	PLUG	
30	V615881822	2	SEALING WASHER S2	
31	V836019756	1	PLUG	
32	V836014334	1	OIL DIPSTICK GUIDE PIPE	
33	V640305012	7	PLUG	
34	V615881216	1	SEALING WASHER S2	
35	VKH3617	1	GASKET S2	A 18 X 22 X 1.5 DIN7603 CU
36	V82615500	1	ADJUSTABLE T-THREADED CONNECTION	
37	V836846231	6	PIPE	
38	V836338601	6	PRESSURE VALVE	
39	V836647400	1	COVER	

Valtra

BH160 TRACTOR (BR)

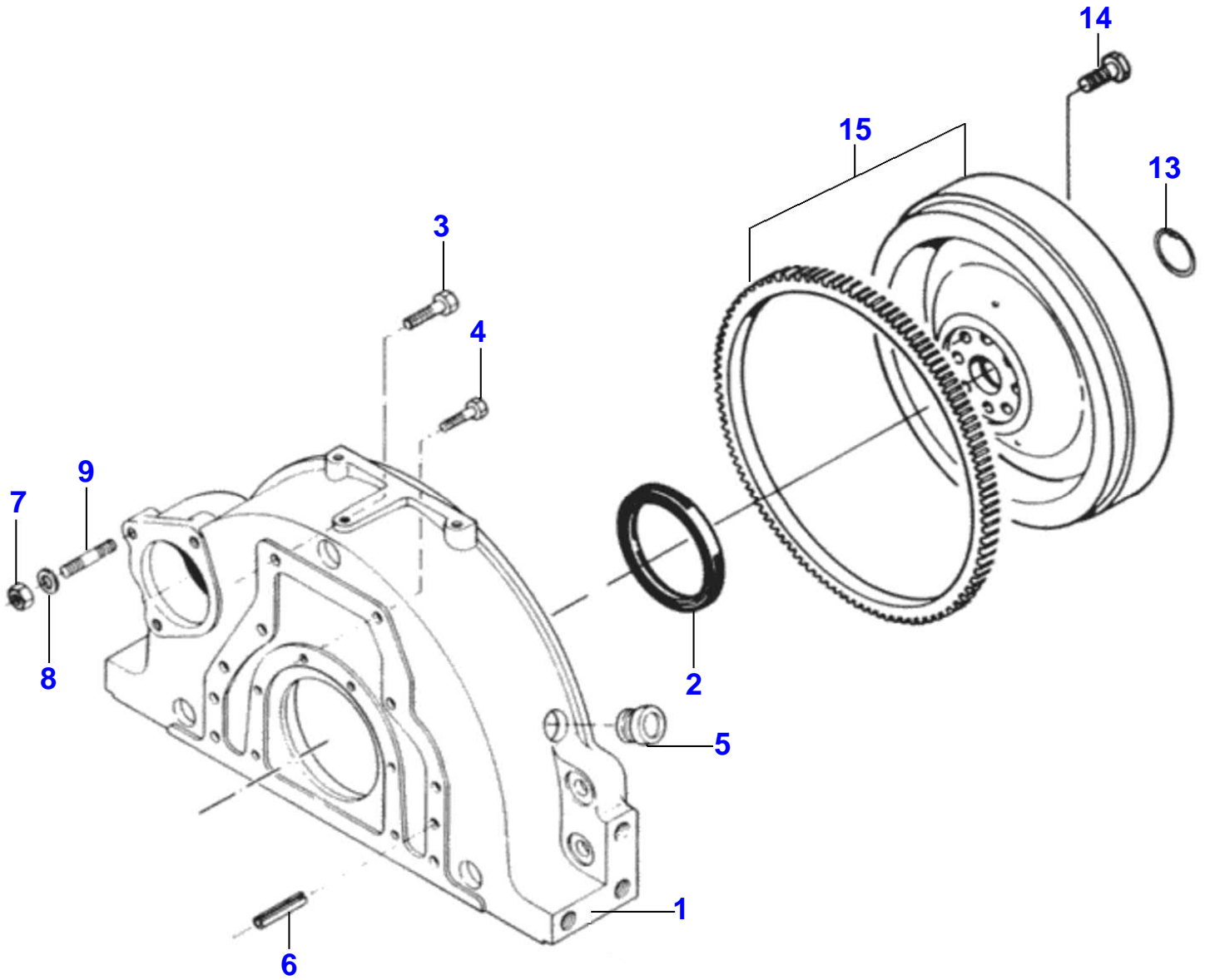
C016001

CYLINDER BLOCK

Page01-0001

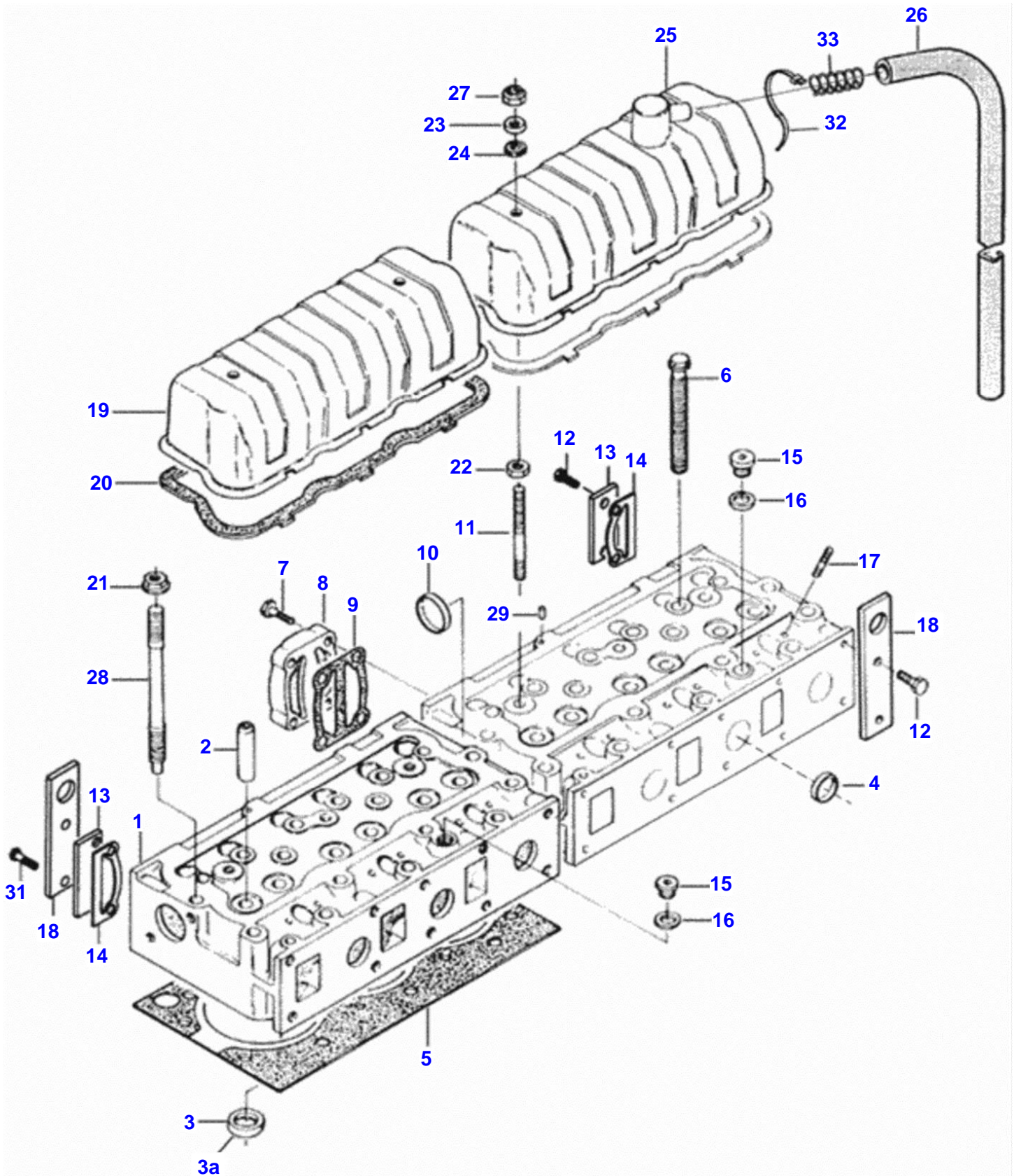
Item	Part Number	Qty	Description Comments	Technical Specification
40	V836647401	1	GASKET	
41	VHA6322	2	SCREW	M8 X 16 SFS_EN_ISO_4017 8.8
[A] DELIVERED ONLY COMPLETE WITH BLOCK				

BH160 TRACTOR (BR)
0000009



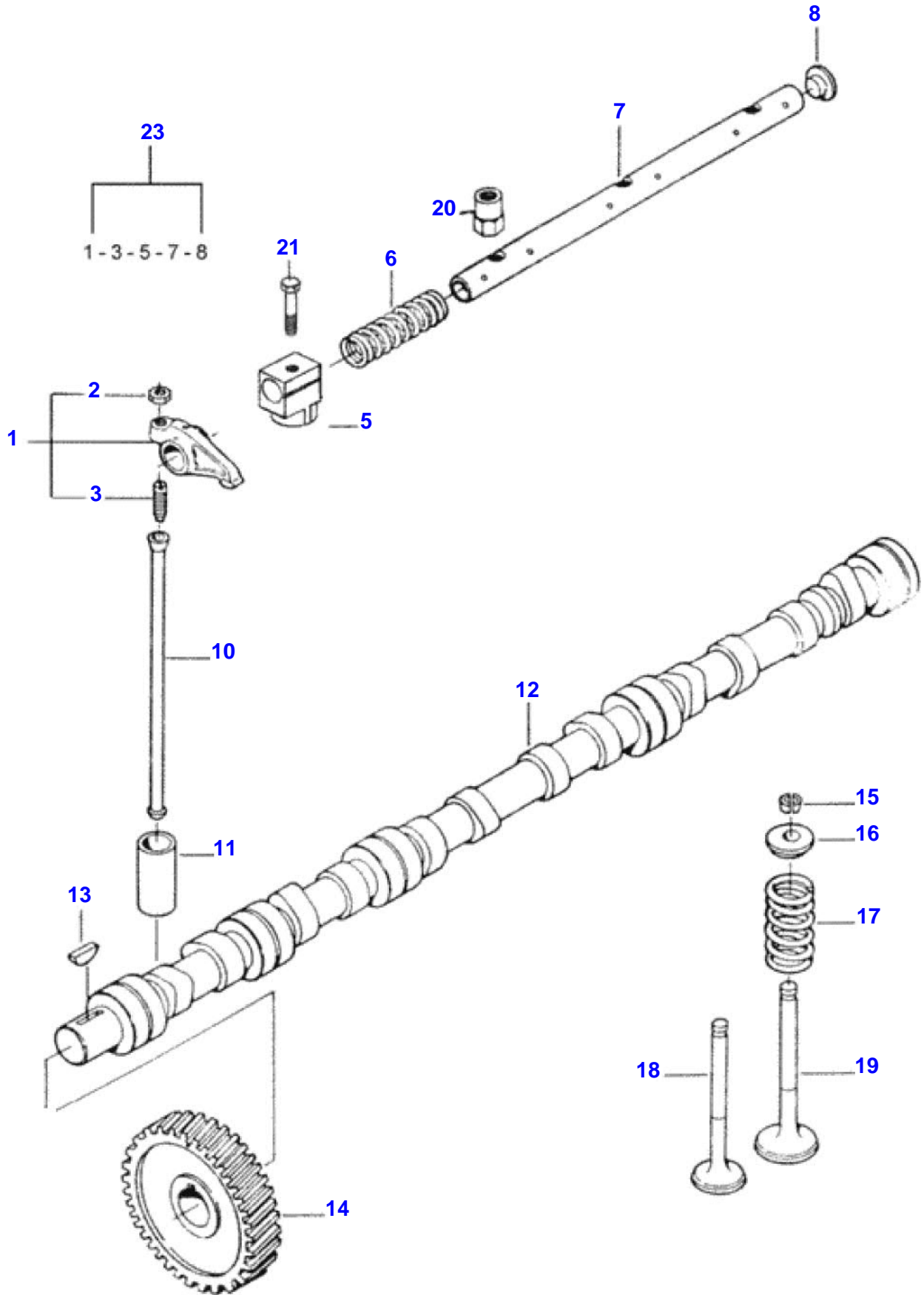
Item	Part Number	Qty	Description Comments	Technical Specification
1	V82052610	1	HOUSING	
2	V837074841	1	CRANKSHAFT SEAL S2	
3	V528902230	7	HEX CAP SCREW	
4	V581705030	6	HEX SOCKET SCREW	
5	V836007572	1	RUBBER PLUG	
6	VJE8802	2	PIN	
7	VJB1110	3	NUT	M10
8	V500951000	3	SPRING WASHER	
9	V546801800	3	STUD BOLT	
13	VKG3072	1	RETAINING RING [B]	72 X 2.5 DIN 472
14	V529902250	7	HEX CAP SCREW	
15	V82060300	1	FLYWHEEL, WITH RING GEAR [B]	Z=133
	V82062910	1	FLYWHEEL [A] [A] SINGLE CLUTCH [B] DOUBLE CLUTCH	

BH160 TRACTOR (BR)
00000334



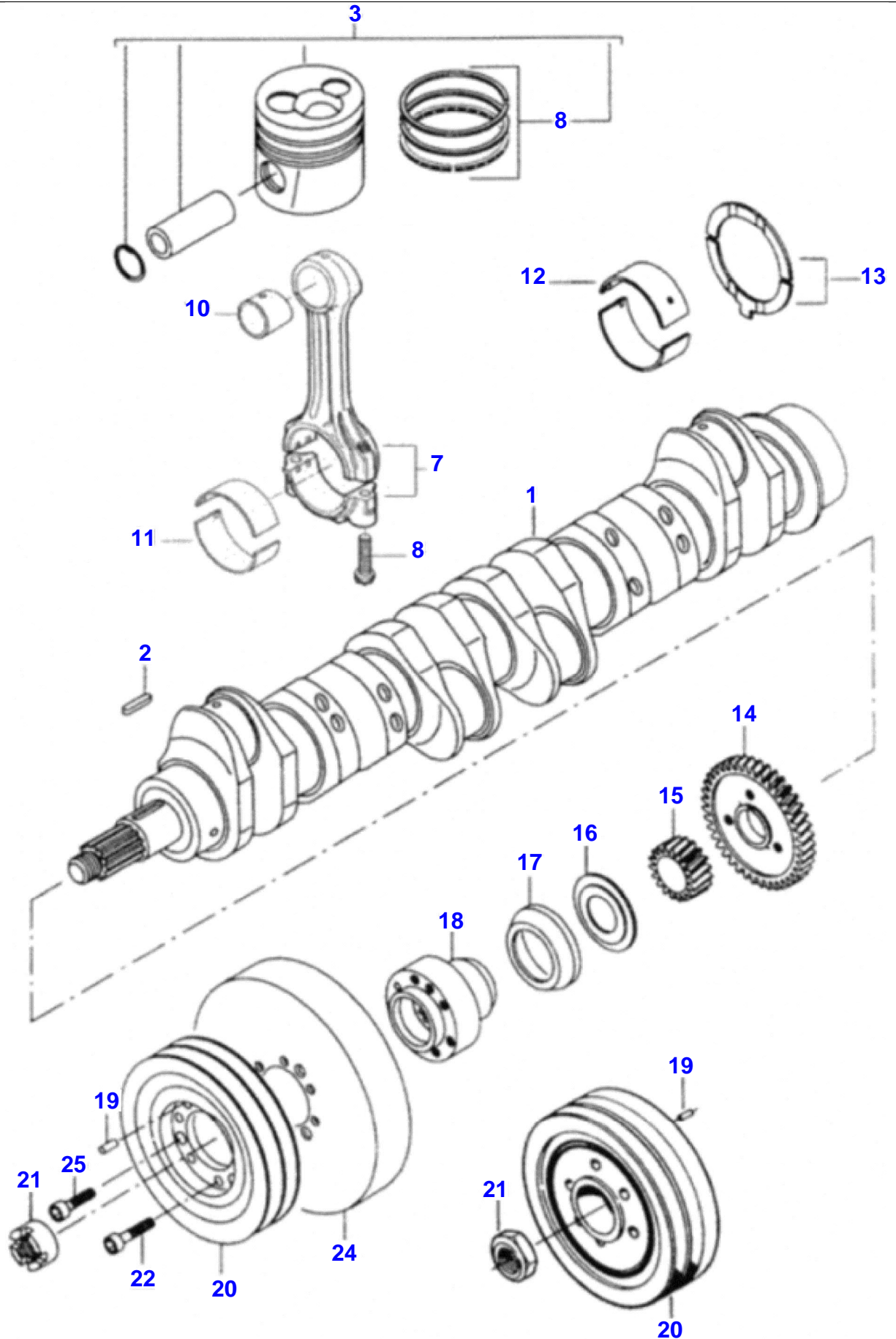
Item	Part Number	Qty	Description Comments	Technical Specification
	V836647936	6	VALVE SEAT	
1	V836855381	2	CYLINDER HEAD	
2	V836673175	12	VALVE GUIDE	
3	V836647600	6	VALVE SEAT	
4	V836647942	10	CUP PLUG	
5	V837084523	2	CYLINDER HEAD GASKET S1	
6	V836646383	32	SCREW	
7	V529801830	4	HEX CAP SCREW	
8	V836855348	1	CONNECTION FLANGE	
9	V836855418	1	GASKET S1	
10	V640016045	1	CUP PLUG	
11	V546801900	4	STUD BOLT	
12	V528801800	4	HEX CAP SCREW	
13	V836855350	2	BLOCK OFF PLATE	
14	V836855417	2	GASKET S1	
15	V640325018	2	PLUG	
16	V615881822	2	SEALING WASHER S1	
17	V546901435	12	STUD BOLT	
18	V836855349	2	LIFT EYE	
19	V836846448	1	VALVE ROCKER COVER	
20	V836646360	2	VALVE ROCKER COVER GASKET S1	
21	V836859110	2	NUT	
22	VJB1110	4	NUT	M10
23	V836119855	4	WASHER	
24	V836012841	4	RUBBER BUSH S1	
25	V836646359	1	VALVE ROCKER COVER	
26	V835338706	1	RUBBER HOSE	
27	VJB8905	4	LOCKNUT	M10 SFS_EN_ISO_10511
28	V836859109	2	STUD BOLT	
29	V595953360	2	PIN	
31	V528801820	2	HEX CAP SCREW	
32	V243020	1	CLAMP	
33	V836659103	1	SPRING	

BH160 TRACTOR (BR)
0000011



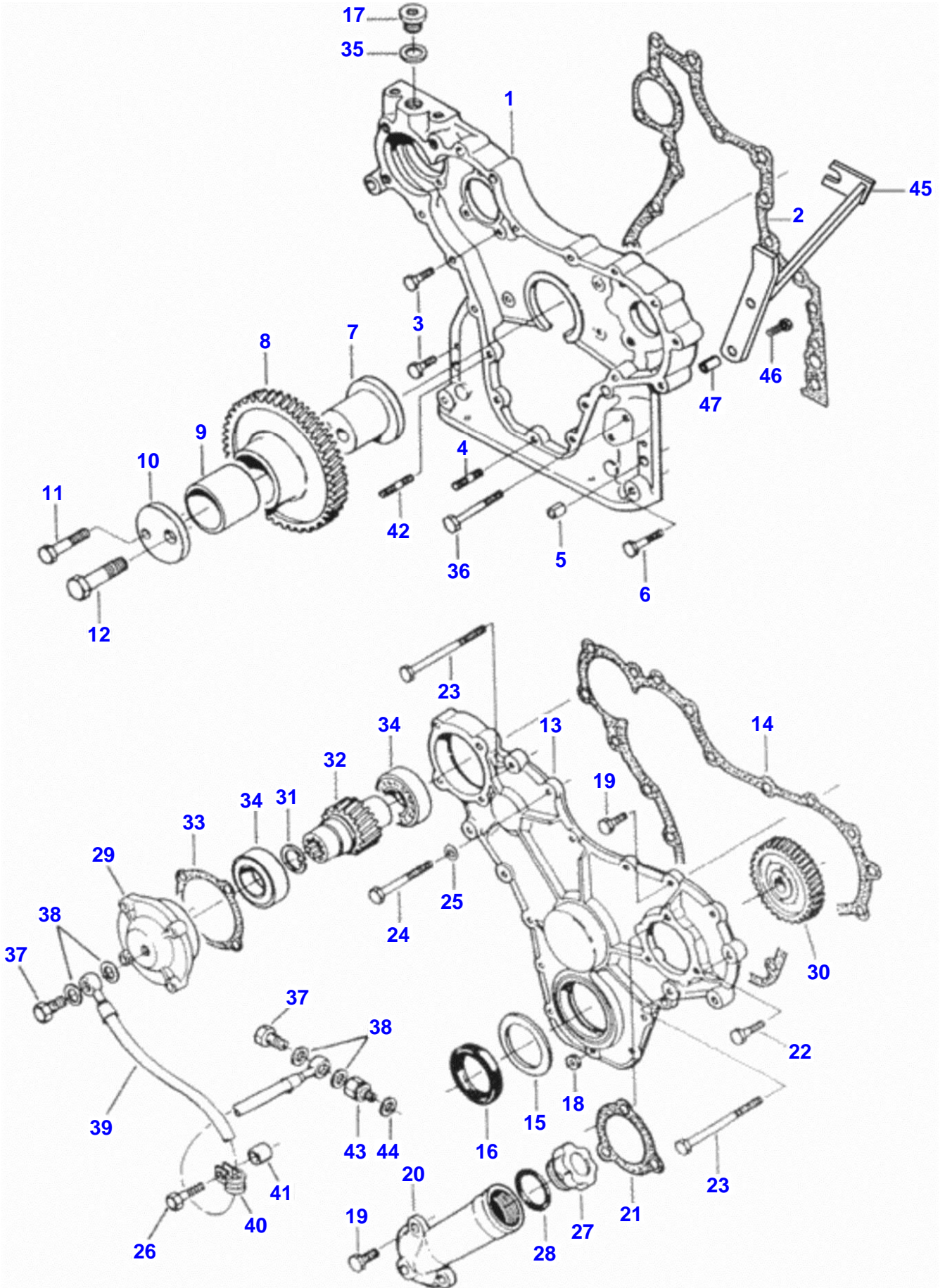
Item	Part Number	Qty	Description Comments
1	V836667042	12	ROCKER ARM Ref. 2, 3
2	V512861000	12	NUT
3	V837069023	12	VALVE ROCKER ADJUSTMENT SCREW
5	V836666609	6	BRACKET
6	V836655884	4	SPRING
7	V836655870	2	SHAFT
8	V837069020	4	PLUG
10	V836655867	12	PUSH ROD
11	V836014264	12	TAPPET
12	V836866054	1	CAMSHAFT
13	V603305760	1	WOODRUFF KEY
14	V836646389	1	GEAR,CAMSHAFT
15	V836646382	24	COTTER
16	V836646381	12	WASHER
17	V837073405	12	VALVE SPRING
18	V836646357	6	EXHAUST VALVE
19	V836646356	6	INTAKE VALVE
20	V836655406	6	SLEEVE NUT
21	V529801910	2	HEX CAP SCREW
23	V836667043	2	ROCKER SHAFT ASM Ref. 1-3, 5-7, 8

BH160 TRACTOR (BR)
0000012



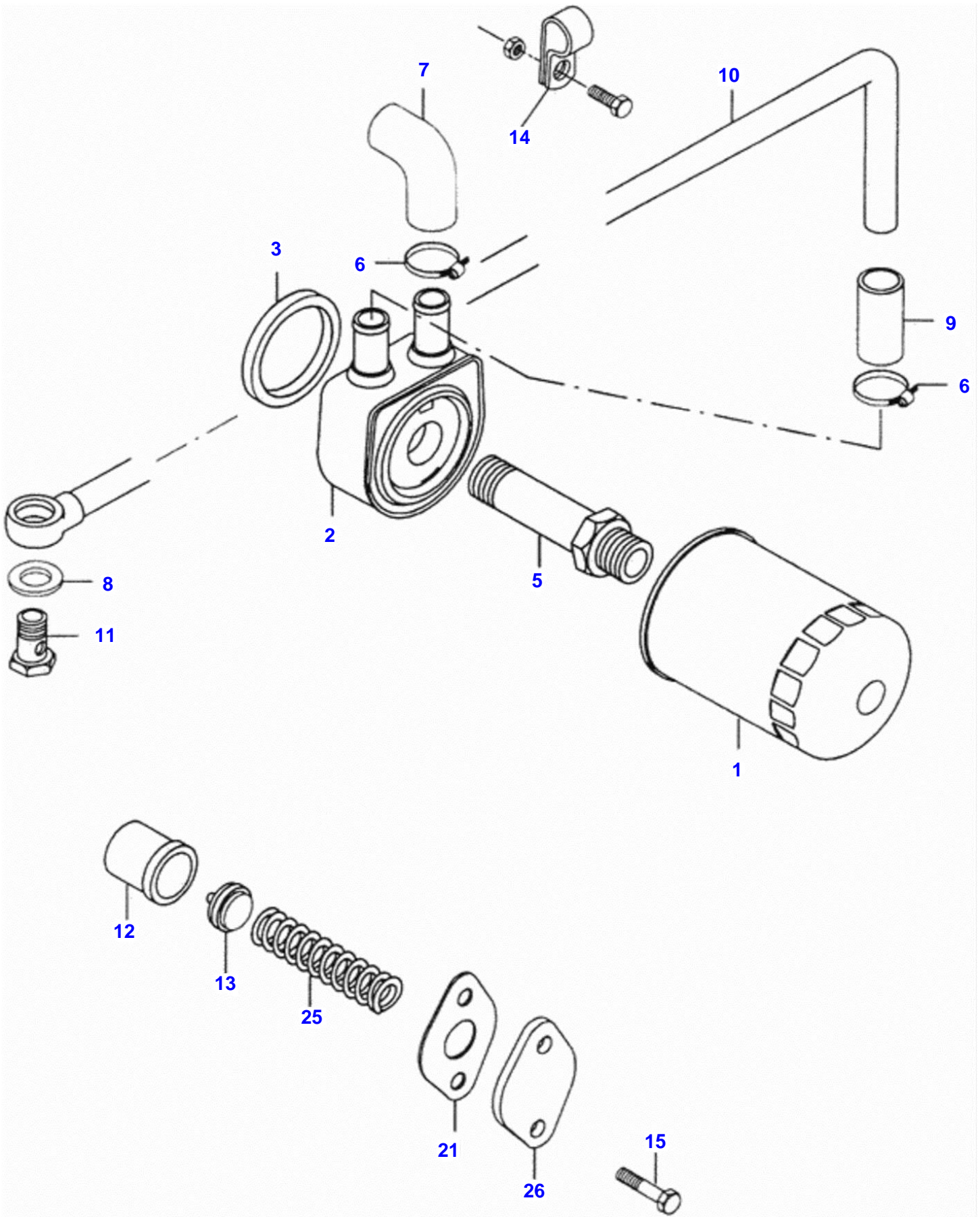
Item	Part Number	Qty	Description Comments	Technical Specification
1	V836859075	1	SHAFT	
2	V603345110	1	KEY	
3	V836640073	6	PISTON	
6	V836640078	6	PISTON RING KIT	
7	V82659900	1	KIT, CONROD	
8	V836864141	12	CONNECTING ROD BOLT	
10	V836646271	6	BEARING BUSH	
11	V836112767	6	BEARING SHELL 1,50mm	
	V836112763	6	BEARING SHELL 0,50mm	
	V836112762	6	BEARING SHELL 0,25mm	
	V836110552	12	BEARING SHELL	
	V836112765	6	BEARING SHELL 1,00mm	
12	V836655514	7	MAIN BEARING	
	V836655536	7	MAIN BEARING	
	V836655537	7	MAIN BEARING	
	V836655538	7	MAIN BEARING	
	V836655539	7	MAIN BEARING	
13	V836119459	2	THRUST WASHER Standard	
	V836120333	2	THRUST WASHER 0,20 mm	
	V836120332	2	THRUST WASHER 0,10 mm	
14	V836119550	1	GEAR,CRANKSHAFT	
15	V836122840	1	GEAR,CRANKSHAFT	
16	V836129781	1	RING	
17	V836136271	1	SHIELD	
18	V836322586	1	CRANKSHAFT HUB	
19	V595953360	1	PIN	
20	V836355025	1	CRANKSHAFT V-BELT PULLEY	
21	V836847641	1	CRANKSHAFT NUT	
22	VHC9327	6	HEX SOCKET SCREW	M8 X 25 SFS_EN_ISO_4762 8.8
24	V836840867	1	CRANKSHAFT VIBRATION DAMPENER	
25	V581804620	3	HEX SOCKET SCREW	

BH160 TRACTOR (BR)
00002518



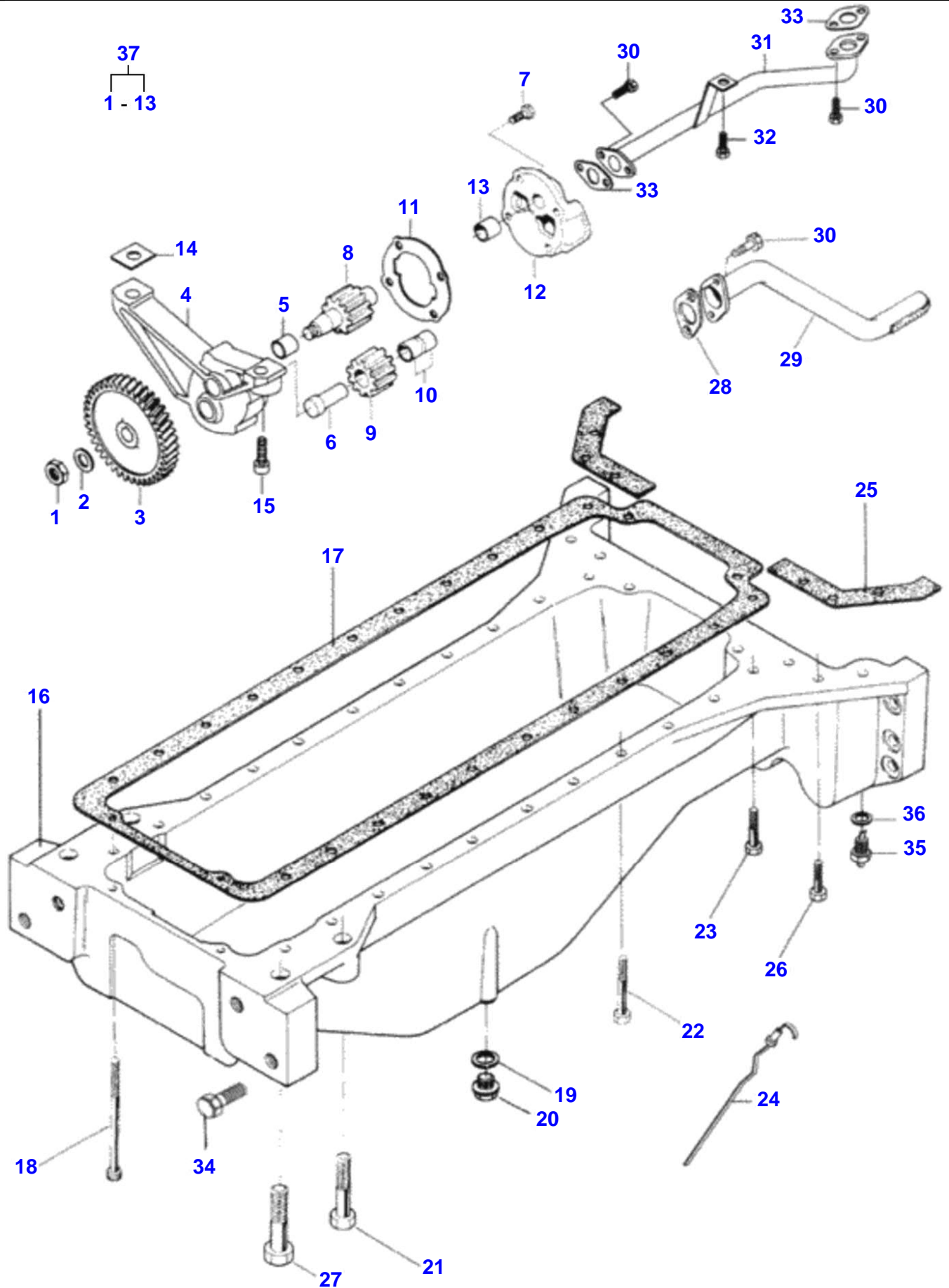
Item	Part Number	Qty	Description Comments	Technical Specification
1	V836652221	1	TIMING GEAR CASE	
2	V836647419	1	GASKET S2	
3	VHA6324	10	SCREW	M8 X 25 ISO 8.8
4	V546801380	4	STUD BOLT	
5	VJE8802	4	PIN	
6	V529801440	2	HEX CAP SCREW	
7	V836766127	1	SHAFT	
8	V836138354	1	IDLER GEAR A=9	
9	V836139039	1	BUSH	
10	V836129845	1	FLANGE	
11	V529801910	1	HEX CAP SCREW	
12	V529902720	1	HEX CAP SCREW	
13	V836647575	1	GEAR HOUSING FRONT COVER	
14	V835336796	1	GASKET S2	
15	V836129782	1	COVER	
16	V614105880	1	OIL SEAL S2	
17	V640325018	1	PLUG	
18	VJB1108	4	NUT	M8
19	VHA9326	6	SCREW	M16X1.5X40 DIN961 8.8
20	V836746921	1	PIPE	
21	V836129946	1	GASKET S2	
22	VHA9230	3	SCREW	M8 X 35 SFS_EN_ISO_4017 8.8
23	V529801500	2	HEX CAP SCREW	
24	VHA8328	3	SCREW	M8 X 60 SFS_EN_ISO_4014 8.8
25	V836120989	1	WASHER	
26	V529801460	4	HEX CAP SCREW	
27	V836338733	1	OIL FILLER CAP	
28	V614604740	1	O-RING S2	
29	V836655230	1	BEARING HOUSING	
30	V836847891	1	GEAR	
31	VKG3031	1	RETAINING RING	31X1.2 DIN472
32	V836674533	1	GEAR	
33	V835336793	1	GASKET S2	
34	V610060096	2	BALL BEARING	
35	V615881822	1	SEALING WASHER S2	
36	VHA8327	1	SCREW	M8 X 50 SFS_EN_ISO_4014 8.8
37	V835331289	2	BANJO BOLT	
38	V615870610	4	SEALING WASHER	
39	V82607600	1	HOSE	
40	V602060612	1	RETAINER CLAMP	
41	V836119296	1	SPACER PIECE	
42	V546801410	1	STUD BOLT	
43	V836655233	1	UNION	
44	V615571014	1	SEALING WASHER	

BH160 TRACTOR (BR)
0000014



Item	Part Number	Qty	Description Comments	Technical Specification
1	V836647133	1	ENGINE OIL FILTER	
2	V82613000	1	OIL COOLER Ref. 3 e 4	
3	V82689000	1	SEALING RING	
5	V82613100	1	CONNECTION	
6	VGP3910	4	HOSE CLIP	20 SMS2298
7	V836747124	1	RUBBER ELBOW	
8	VKH3617	2	GASKET S2	A 18 X 22 X 1.5 DIN7603 CU
9	V89740600	1	HOSE	
10	V89676500	1	TUBE	
11	V640435015	1	BANJO BOLT	
12	V836659521	1	VALVE SEAT	
13	V836659522	1	VALVE CONE	
14	V602074615	1	RETAINER CLAMP	
15	VHA6323	2	SCREW	M8 X 20 CL8.8
21	V836322190	1	GASKET S2	
25	V836864056	1	END	
26	V836659524	1	COVER	

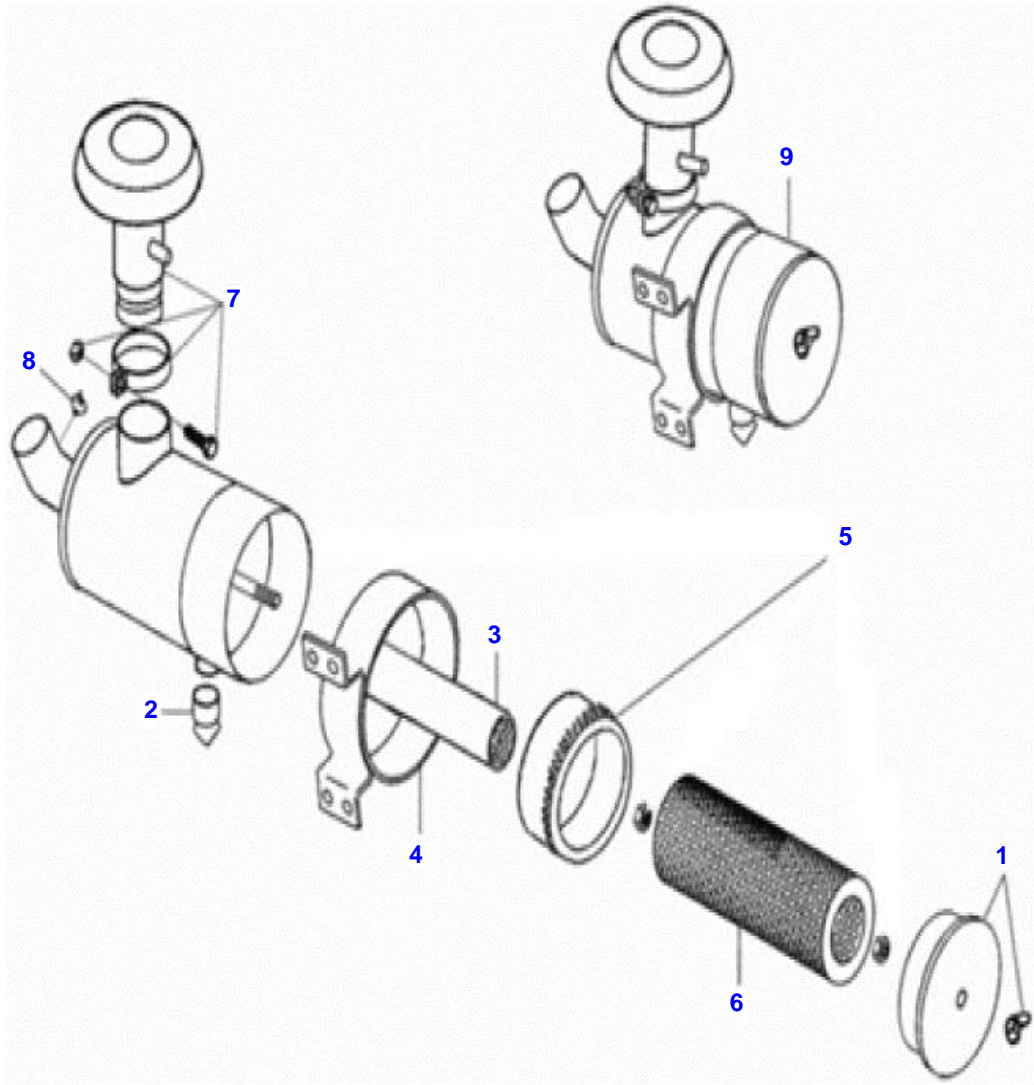
BH160 TRACTOR (BR)
0000015



Item	Part Number	Qty	Description Comments	Technical Specification
1	V504861000	1	NUT	
2	V836122910	1	WASHER	
3	V836338667	1	GEAR	
4	V836338186	1	FRAME	
5	V836322909	1	BUSH	
6	V836338668	1	OIL PUMP SHAFT	
7	VHA6323	4	SCREW	M8 X 20 CL8.8
8	V836338181	1	GEAR,OIL PUMP	
9	V836338180	1	GEAR,OIL PUMP	
10	V836322909	2	BUSH	
11	V836338188	1	GASKET S2	
12	V836855297	1	COVER	
13	V836322909	1	BUSH	
14	V836007871		SHIM [A]	
15	VHC8338	2	HEX SOCKET SCREW	M10 X 40 CL8.8 ZN
16	V82052510	1	OIL SUMP	
17	V836322183	1	OIL SUMP GASKET S2	
18	V581704830	2	HEX SOCKET SCREW	
19	VKH3635	1	SEALING WASHER S2	16-20 X 1.5 MM
20	VGR0277	1	PLUG	M16 (1.5)
21	V529903990	2	HEX CAP SCREW	
22	V529701880	22	HEX CAP SCREW	
23	V82060200	2	BOLT	M10X155;
24	V82083700	1	DIPSTICK	
25	V82065000	2	OIL SUMP GASKET	
26	V581705030	6	HEX SOCKET SCREW	
27	V82064700	2	BOLT	M20X190;
28	V836122282	1	GASKET S2	
29	V82650900	1	TUBE	
30	VHC9326	6	HEX SOCKET SCREW	M8 X 20 SFS_EN_ISO_4762 8.8
31	V82650800	1	TUBE	
32	VHA6322	1	SCREW	M8 X 16 SFS_EN_ISO_4017 8.8
33	V836008449	2	GASKET S2	
34	VHA6370	2	SCREW	M20 X 60 SFS_EN_ISO_4017 8.8
35	V82675800	2	BOLT	
36	VJD3116	2	SPRING WASHER	5/8" BV155 DIN127
999	V836855300	1	LUBRICATING OIL PUMP Ref. 1 a 13	

[A] ACCORDING TO NECESSITY

BH160 TRACTOR (BR)
00002519



Item	Part Number	Qty	Description Comments	Technical Specification
1	V82650000	1	BOTTOM	
2	V82649700	1	VALVE	
3	V82649600	1	AIR FITR.ELEMENT	SAFETY
4	V82649900	1	CLAMP	
5	V82649800	1	HOUSING	
6	V82649500	1	AIR FITR.ELEMENT	MAIN
7	V82648500	1	PREFILTER	
8	V33389600	1	SENSOR	6.5 KPA
9	V82648300	1	AIR FILTER Ref.1 - 7	

Thank you so much for reading.
Please click the “Buy Now!”
button below to download the
complete manual.



After you pay.

You can download the most
perfect and complete manual in
the world immediately.

Our support email:

ebooklibonline@outlook.com