

Page Title	Page Number
SPANNER	100-01-1
ADHESIVES (PORTUGUESE)	100-02-2
ADHESIVES (SPANISH)	100-02-2183
ADHESIVES (ENGLISH)	100-02-2187
ADHESIVES (SPANISH)	100-03-2182
ADHESIVES (ENGLISH)	100-03-2188
ADHESIVES (PORTUGUESE)	100-03-3
ADHESIVES (PORTUGUESE)	100-04-2177
ADHESIVES (ENGLISH)	100-04-2189
ADHESIVES (SPANISH)	100-04-4
ADHESIVES (PORTUGUESE)	100-05-2178
ADHESIVES (ENGLISH)	100-05-2190
ADHESIVES (SPANISH)	100-05-5
ADHESIVES (PORTUGUESE)	100-06-2179
ADHESIVES (SPANISH)	100-06-2184
ADHESIVES (ENGLISH)	100-06-6
ADHESIVES (PORTUGUESE)	100-07-2180
ADHESIVES (SPANISH)	100-07-2185
ADHESIVES (ENGLISH)	100-07-7
ADHESIVES (PORTUGUESE)	100-08-2181
ADHESIVES (SPANISH)	100-08-2186
ADHESIVES (ENGLISH)	100-08-2191
CYLINDER BLOCK	021-01-8
FLYWHEEL AND HOUSING	021-02-9
CYLINDER HEAD	021-03-10
VALVE MECHANISM	021-04-11
CRANKSHAFT MECHANISM	021-05-12
FRONT COVER	021-06-1162
OIL COOLER	021-07-14
SUMP	021-08-15
AIR FILTER	021-09-1170
AIR FILTER	021-10-16
INLET AND EXHAUST MANIFOLD	021-11-1916
MUFFLER AND INSTALATION AIR FILTER	021-12-1171
MUFFLER AND INSTALATION AIR FILTER	021-12-18
TURBOCHARGER	021-14-19
SEDIMENTATION FILTER	022-01-20
FUEL FILTER	022-02-21
INJECTION PUMP	022-03-22
THROTTLE SYSTEM	022-04-23
RADIATOR	023-01-1179
WATER PUMP	023-02-881
GASKET SET - S1	028-01-26
GASKET SET S1 + S2	028-02-27
ENGINE REPAIR KIT	028-03-28
STARTER MOTOR - BOSCH	031-01-29
STARTER MOTOR- 4,2K W	031-02-2058
ALTERNATOR BOSCH - 75A	031-04-1355
ALTERNATOR BOSCH - 90A	031-05-1293
REAR ELETRICAL SYSTEM FOR CAB	032-01-36

TABLE OF CONTENTS

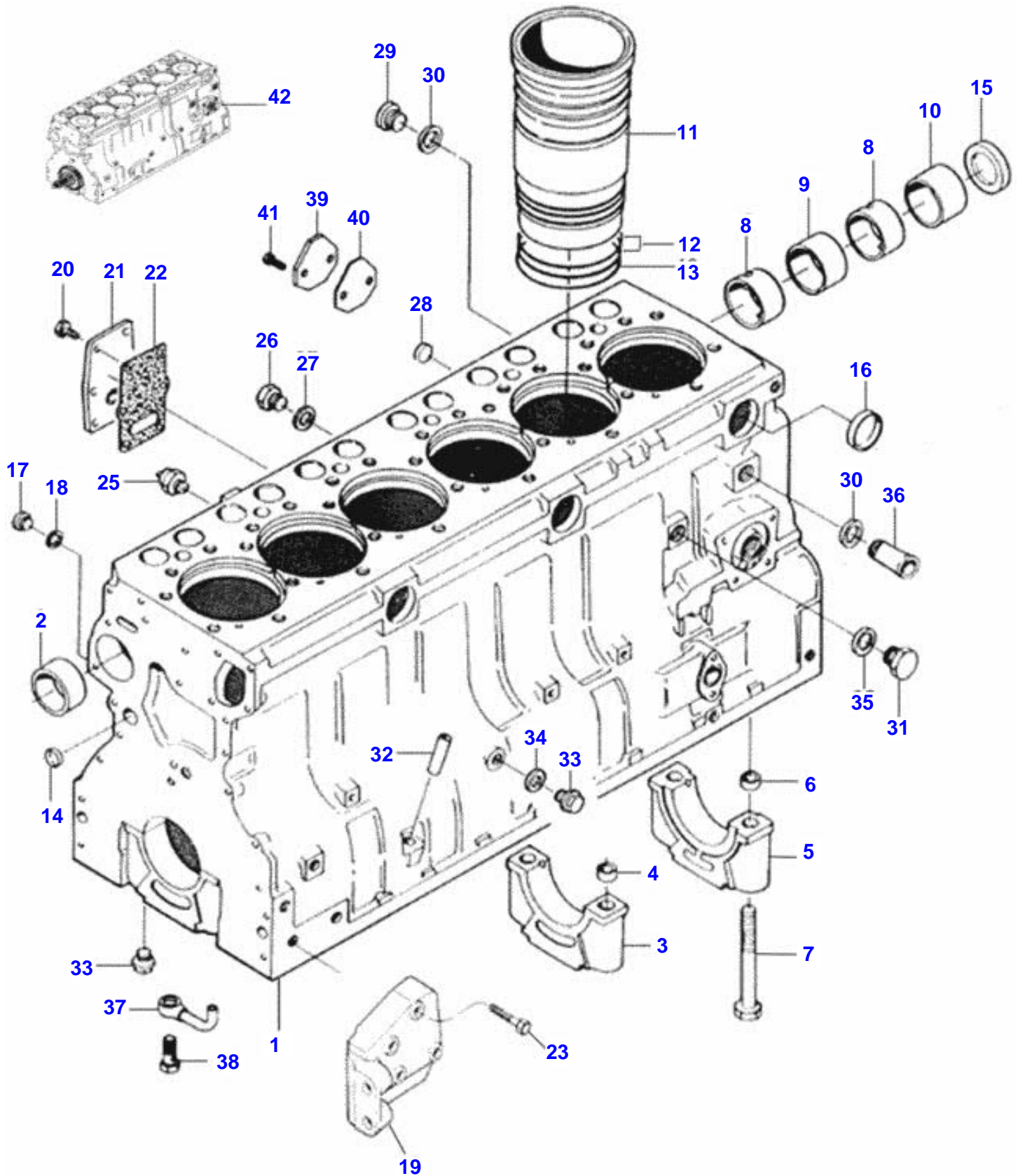
REAR ELETRICAL SYSTEM CAB	032-03-35
INSTRUMENTS	032-04-31
LIGHTS	032-05-32
PANEL ELETRIC SYSTEM	032-06-153
FRONT ELETRIC SYSTEM	032-07-34
ROTATING LIGHT (OPTIONAL)	039-01-42
RADIO (OPTIONAL)	039-02-1350
WINDSCREEN WIPER AND WASHER	039-03-37
REAR WINDOW WIPER AND WASHER	039-04-38
REAR FOG LIGHT (OPTIONAL)	039-05-39
LIGHT NUMBER PLATE (OPTIONAL)	039-06-40
SINGLE CLUTCH	041-01-1805
DOUBLE CLUTCH	041-02-44
DOUBLE CLUTCH	041-03-47
CLUTCH CONTROL	041-04-45
DOUBLE CLUTCH CONTROL	041-05-46
GEARBOX HOUSING	042-01-1354
GEARBOX HOUSING AND SHIFT LEVERS	042-01-48
COUNTERSHAFT, MAINSHAFT, BEVEL PINION (SYNCHRONIZED)	042-02-49
COUNTERSHAFT, MAINSHAFT, BEVEL PINION SHAFT(HD)	042-03-50
DIFFERENTIAL	042-04-51
GEARBOX COOLING	042-05-52
LEVERS HOUSING	042-06-1351
RANGE AND SPEED GEAR LEVERS	042-08-1910
GEARBOX SPEED MULTIPLYER	044-02-883
POWER TAKE OFF 540 RPM	046-01-745
POWER TAKE OFF 540/1000 - 1000RPM	046-04-746
SERVICE BRAKE CONTROL DRIVE	051-01-57
CONTROL BRAKE SYSTEM	051-02-1265
FINAL DRIVES AND BRAKES	052-01-55
DIFFERENTIAL LOCK DRIVE	052-02-56
STEERING WHEEL AND COLUMN	061-01-59
HYDRAULIC STEERING	061-03-543
HYDROSTATIC STEERING UNIT DANFOSS	061-04-61
FRAME AND BEARING OF FRONT AXLE CARRARO	064-01-62
ARTICULATION HOUSING CARRARO 20.43UP	064-02-63
FLANGE, BEVEL GEAR AND PINION CARRARO	064-03-64
DOUBLE JOINT CARRARO	064-04-66
PLANETARY GEAR HOUSING CARRARO	064-05-67
DIFFERENTIAL- CARRARO	064-06-65
FRONT AXLE SELECTING LEVER	064-07-68
CARDAN SHAFT	064-08-1546
FRONT DRIVE SELECTING	064-10-913
FRAME, BEARING AND CARDAN	068-01-849
DIFFERENTIAL AND AXLE HOUSING - 4WD ZF APL-359	068-02-850
SWIVEL HOUSING/PLANETARY GEAR 4WD ZF APL 359	068-03-851
STEERING CYLINDER AND ARM 4WD ZF APL-359	068-04-852
FUEL TANK	071-01-70
FRONT WHEEL 4 X 4	072-01-74
REAR WHEEL	072-02-1409
REAR WHEEL (OPTIONAL)	072-03-1410
DOUBLE REAR WHEEL	072-04-1411

BUFFER AND FRONT COUNTERWEIGHT	079-01-69
REAR WHEEL COUNTERWEIGHT (TYRE 18.4 AND 20.8)- ACCESSORY	079-02-73
REAR WHELL COUNTERWEIGHT (TYRE 24.5) - ACCESSORY	079-03-75
REAR WHEEL COUNTERWEIGHT (TYRE 23.1) - ACCESSORY	079-04-76
REAR WHELL COUNTERWEIGHT (TYRE 24.5)	079-05-1542
ROOF	081-01-90
OPEN CAB	081-02-81
OPEN CAB	081-02-82
CAB FRAME	081-03-86
DOOR AND GLASS OF THE CAB	081-04-88
REAR WINDOW AND GLASS OF THE CAB	081-06-89
WINDSCREEN	081-07-87
INSULATING AND COATING FOR CAB	081-08-85
CAB INSULATOR	081-09-84
MULDGUARDS AND PLATE FLOOR	081-10-1523
FRONT AND REAR MUDGUARDS- AXLE ZF359	081-11-1524
FRONT AND REAR MUDGUARDS- CARRARO	081-11-1525
SOFT SEAT (PART 1)	081-13-1298
SOFT SEAT (PART 2)	081-14-1297
SOFT SEAT (PART 3)	081-15-1296
SEAT FOR CAB (PART 1) OPTIONAL	081-16-1301
SEAT FOR CAB (PART 2) OPTIONAL	081-17-1299
SEAT FOR CAB (PART 3) OPTIONAL	081-18-1300
INSTRUMENTS PANEL	082-01-79
FRONT SHIELDS	083-02-80
SAFETY FRAME	089-01-83
AIR CONDITIONING (OPTIONAL EQUIPMENT)	089-02-92
HEATING UNIT	089-03-91
HYDRAULIC PUMP	091-01-917
HYDRAULIC PUMP AND PIPE SYSTEM	091-02-104
HYDRAULIC PUMP AND PIPE SYSTEM- ANTIGO	091-02-1875
HYDRAULIC PUMP AND PIPE SYSTEM - OPTIONAL	091-03-105
HYDRAULIC PUMP AND PIPE SYSTEM - OPTIONAL	091-03-1335
HYDRAULIC VALVE	091-04-920
GEARBOX UPPER COVER	091-05-96
OLD HYDRAULIC LEVER SYSTEM	091-06-1344
NEW HYDRAULIC LEVER SYSTEM	091-07-95
LIFT CYLINDER	091-08-97
UPPER LINK ROD AND PECKER LIFT	091-09-99
LIFT CONNECTION	091-10-100
TRAILER HITCH	091-11-103
AUXILIARY LIFT CYLINDER	091-13-101
AUXILIARY CYLINDER D=65MM	091-14-102
AUXILIARY CYLINDER D=76,2MM	091-15-1569
AUXILIARY CYLINDER D= 80MM	091-16-1516
DIRECTIONAL CONTROL VALVE	091-18-107
PLANTING IMPLEMENT KIT	096-01-1470
PLANTING IMPLEMENT KIT	096-02-868
PLANTING IMPLEMENT KIT	096-03-869
SUGAR CANE IMPLEMENT WITH MOTOR	096-04-867
SUGAR CANE IMPLEMENT WITH MOTOR	096-04-871

TABLE OF CONTENTS

SUGAR CANE IMPLEMENT WITH MOTOR	096-05-870
SUGAR CANE IMPLEMENT WITHOUT MOTOR	096-06-859
SUGAR CANE IMPLEMENT WITHOUT MOTOR	096-07-857
PLANTING IMPLEMENT KIT	096-08-1245
SUGAR CANE IMPLEMENT WITH MOTOR-HI-CONFORT	096-09-1246
SUGAR CANE IMPLEMENT WITHOUT MOTOR	096-10-860
SUGAR CANE IMPLEMENT WITHOUT MOTOR- HI-CONFORT	096-11-1250
SUGAR CANE IMPLEMENT WITH MOTOR - HI CONFORT	096-12-1251
SUGAR CANE IMPLEMENT WITHOUT MOTOR - HI CONFORT	096-13-1252

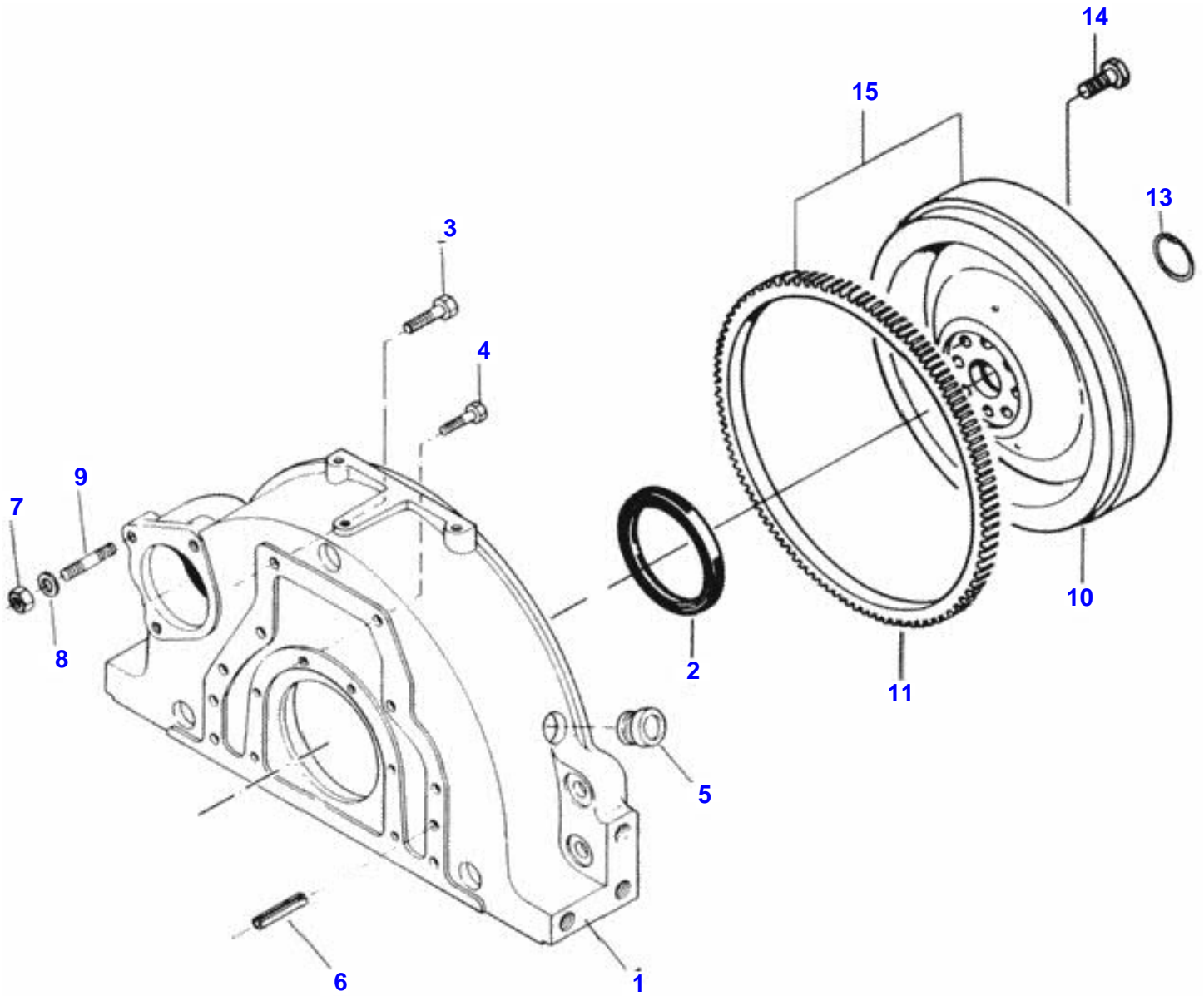
BH160 TRACTOR (BRAZIL) CYLINDER BLOCK



CYLINDER BLOCK

Item	Part Number	Qty	Description	Comments
1	V837070103	1	Cylinder block	Ref. 2-10
2	V836866036	1	Bushing 1st undersize	
	V836866069	1	Bushing	
3	V	6	Bearing cover	*
4	V836214478	12	Guide bushing	
5	V	1	Bearing cover	*
6	V836214478	2	Guide bushing	
7	V529903180	14	Screw	
8	V836852460	2	Bushing	
	V836852466	2	Bushing 1st undersize	
9	V836852459	1	Bushing	
	V836852460	1	Bushing	
10	V836852461	1	Bushing	
	V836852467	1	Bushing 1st undersize	
11	V836666900	6	Cylinder liner	Ref. 12 e 13 s=9,03 std
	V836647933	6	Cylinder liner	s= 9,08mm
	V836647934	6	Cylinder liner	s= 9,13mm
	V836647935	6	Cylinder liner	s= 9,23mm
12	V836647502	12	O-ring, cylinder liner	S2
13	V836647503	6	O-ring, cylinder liner	S2
14	V640016016	4	Plug ring cylinder block	S2
15	V836852744	1	Plug	
16	V640016040	3	Plug	
17	VGR0261	4	Plug	
18	V615571014	4	Seal ring	S2
19	V82055800	1	Right support	
	V836852656	1	Left support	
20	VHC9326	6	Screw	
21	V836847994	1	Cover	
22	V836322852	1	Gasket cover	S2
23	V529802682	8	Screw	
25	V887283760	1	Pressure switch	
26	VGR0277	1	Plug	
27	VKH3625	1	Seal ring	S2
28	VGR5111	3	Plug	
29	V640325018	1	Plug	
30	V615881822	2	Seal ring	S2
31	V836019756	1	Plug	
32	V836014334	1	Pipe	
33	V640305012	7	Plug	
34	V615881216	1	O-ring	S2
35	VKH3617	1	Seal ring	S2
36	V82615500	1	Pipe	
37	V836846231	6	Nozzle	
38	V836338601	6	Valve	
39	V836647400	1	Cover	
40	V836647401	1	Gasket feed pump	
41	VHA6322	2	Screw	
42	V88659600	1	Shot engine	
			Delivered only complete with block	

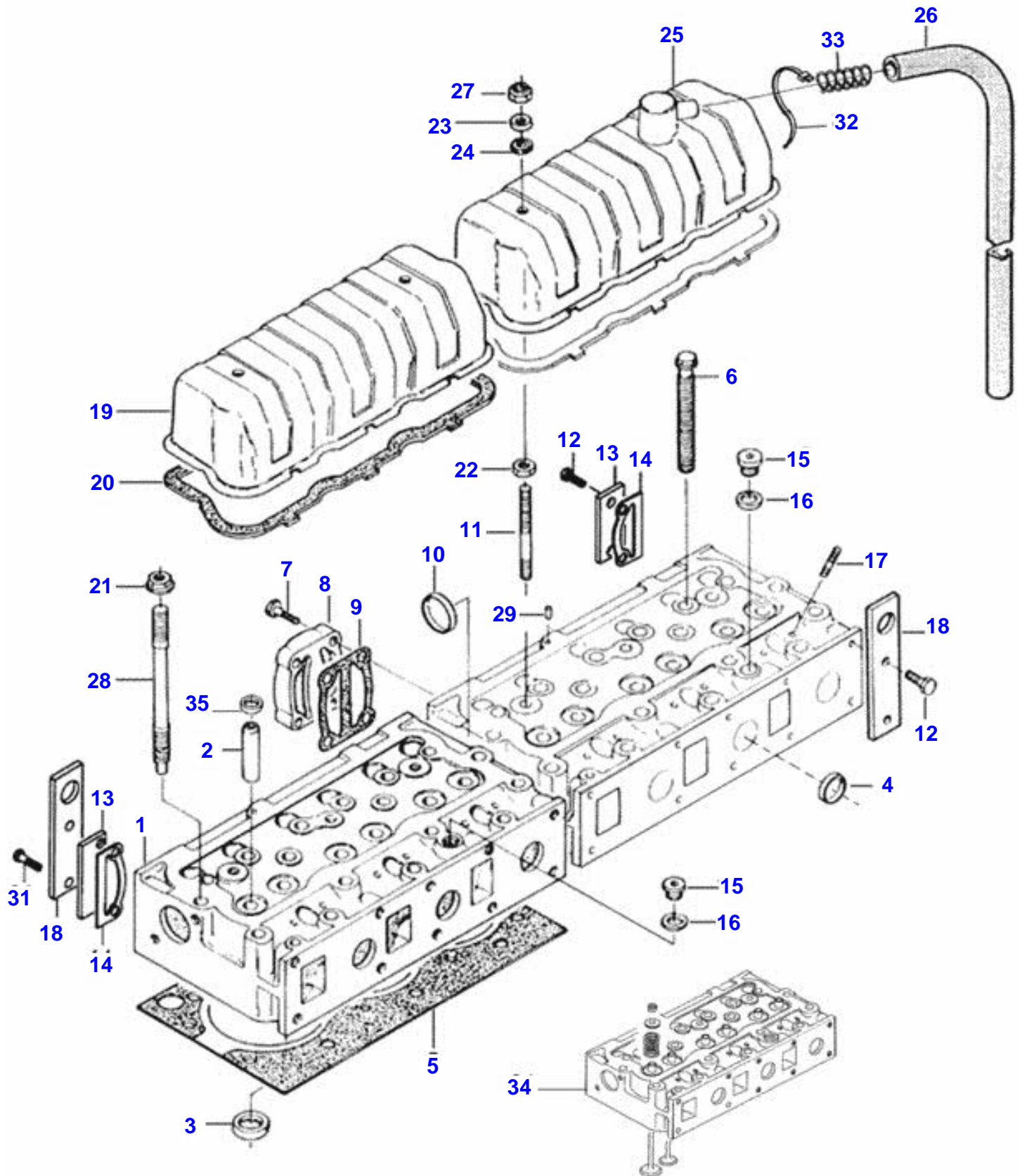
BH160 TRACTOR (BRAZIL)
FLYWHEEL AND HOUSING



FLYWHEEL AND HOUSING

Item	Part Number	Qty	Description	Comments
1	V82052610	1	Flywheel housing	
2	V614500002	1	Oil seal, crankshaft	S2
3	V528902230	7	Screw	
4	V581705030	6	Screw	
5	V836007572	1	Plug	
6	VJE8802	2	Pin	
7	VJB1110	3	Nut	
8	V500951000	3	Washer	
9	V546801800	3	Stud bolt	
10	V82063010	1	Flywheel	*
	V82060400	1	Flywheel	**
11	V835328783	1	Gear rim	
13	VKG3072	1	Circlip	**
14	V529902250	7	Screw	
15	V85815900	1	Flywheel and gear rim	*
	V82060300	1	Flywheel and gear rim	**
			Single clutch	
			Double clutch	

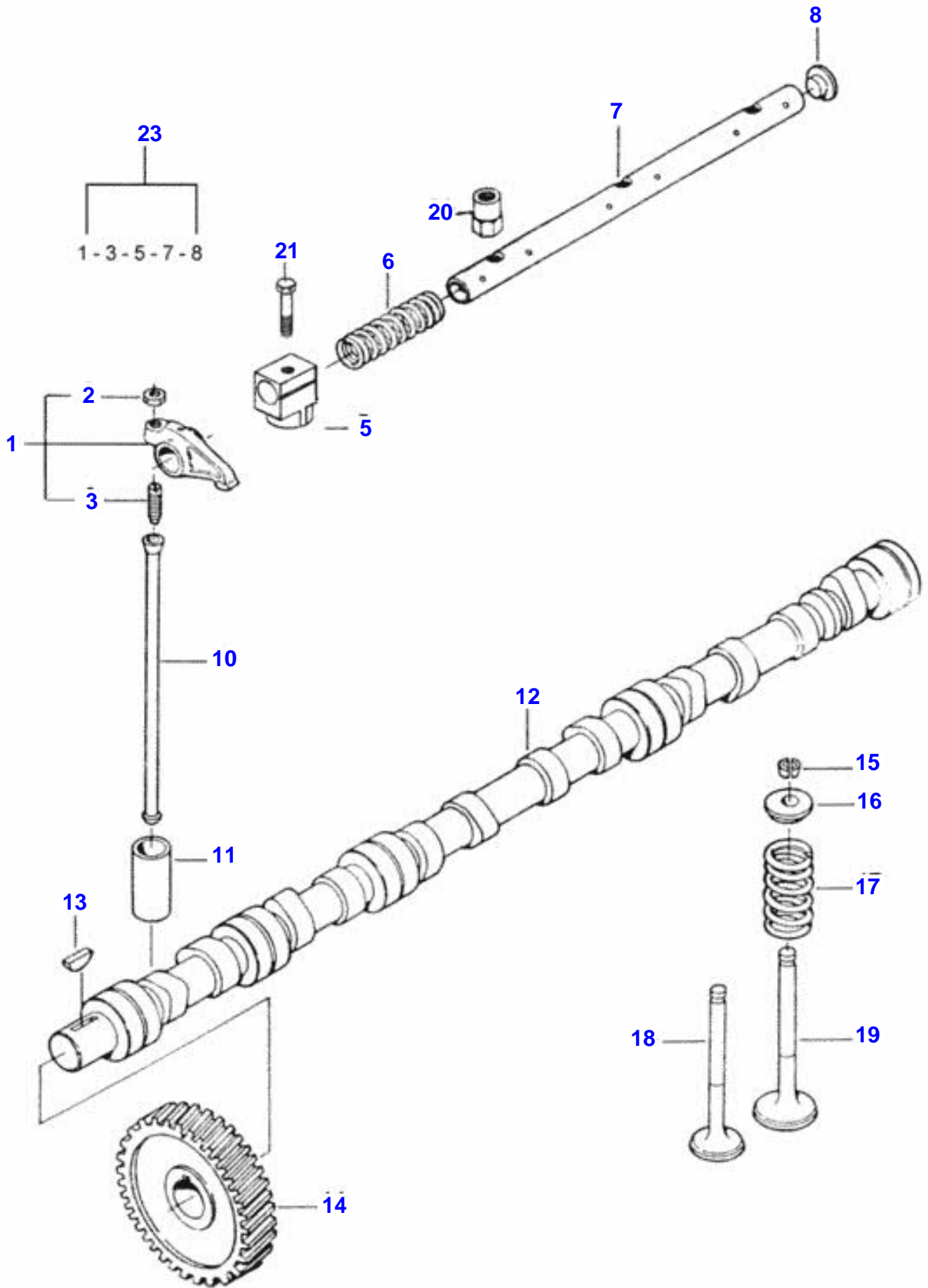
BH160 TRACTOR (BRAZIL)
CYLINDER HEAD



CYLINDER HEAD

Item	Part Number	Qty	Description	Comments
1	V836855381	2	Cylinder head	
2	V836673175	12	Valve guide	
3	V836647600	6	Valve seat	
	V836647936	6	Intake valve	
4	V836647942	10	Cover	
5	V837070290	2	Cylinder head gasket	S1
6	V836859104	32	Screw	
7	VHA6323	4	Screw	
8	V836855348	1	Connecting part	
9	V836846447	1	Gasket	S1
10	V640016045	1	Cover	
11	V546801900	4	Stud bolt	
12	V528801800	4	Screw	
13	V836855350	2	Cover	
14	V836846449	2	Gasket cover	S1
15	V640325018	2	Plug	
16	VKH3617	2	Seal ring	S1
17	V546901435	12	Stud bolt	
18	V836855349	2	Suspension lifteye	
19	V836846448	1	Cover	
20	V836646360	2	Gasket valve cover	S1
21	V836859110	2	Nut	
22	VJB1110	4	Nut	
23	V836119855	4	Washer	
24	V836012841	4	Rubber washer	S1
25	V836646359	1	Cover	
26	V835338706	1	Hose	
27	VJB8905	4	Nut	
28	V836859109	2	Stud bolt	
29	V595959140	2	Pressure pin	
31	V528801820	2	Screw	
32	V243020	1	Clamp	
33	V836659103	1	Spring	
34	V89605400	2	Assy cylinder head	
35	V837073166	1	Oil seal	

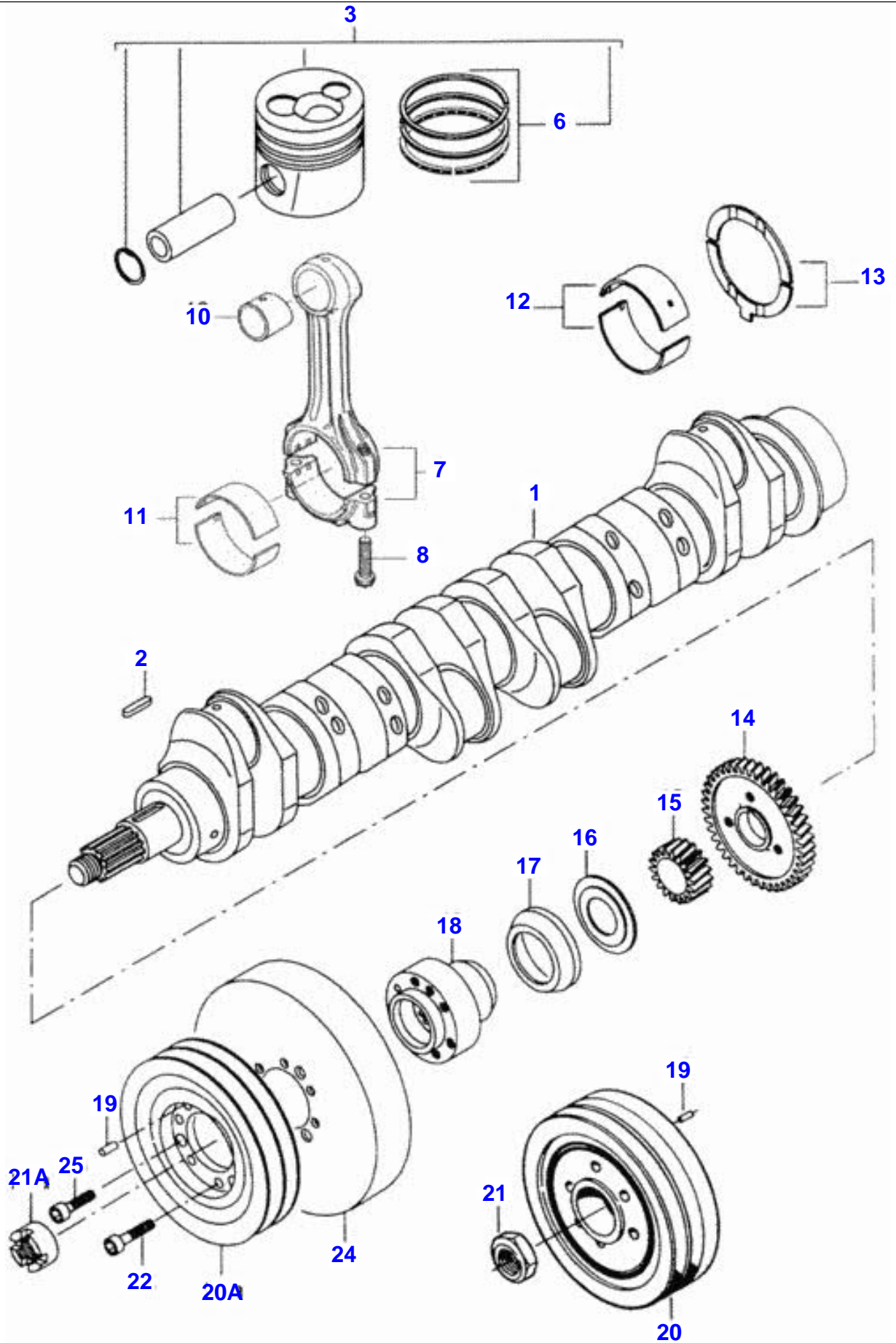
BH160 TRACTOR (BRAZIL)
VALVE MECHANISM



VALVE MECHANISM

Item	Part Number	Qty	Description	Comments
1	V836667042	12	Assy rocker arm	Ref. 2, 3
2	V512861000	12	Nut	
3	V837069023	12	Screw	
5	V836666609	6	Bracket	
6	V836655884	4	Compresion Spring	
7	V836655870	2	Shaft	
8	V837069020	4	Plug	
10	V836655867	12	Push rod	
11	V836014264	12	Valve tappet	
12	V836866054	1	Valve control axle	
13	V603305760	1	Shifting	
14	V836646389	1	Gear	
15	V836646382	24	Valve cotter	
16	V836646381	12	Spring plate	
17	V837073405	12	Spring	
18	V836646357	6	Exhaust vale	
19	V836646356	6	Intake valve	
20	V836655406	6	Nut	
21	V529801910	2	Screw	
23	V836667043	2	Valve mechanism - assembly	Ref. 1-3, 5-7, 8

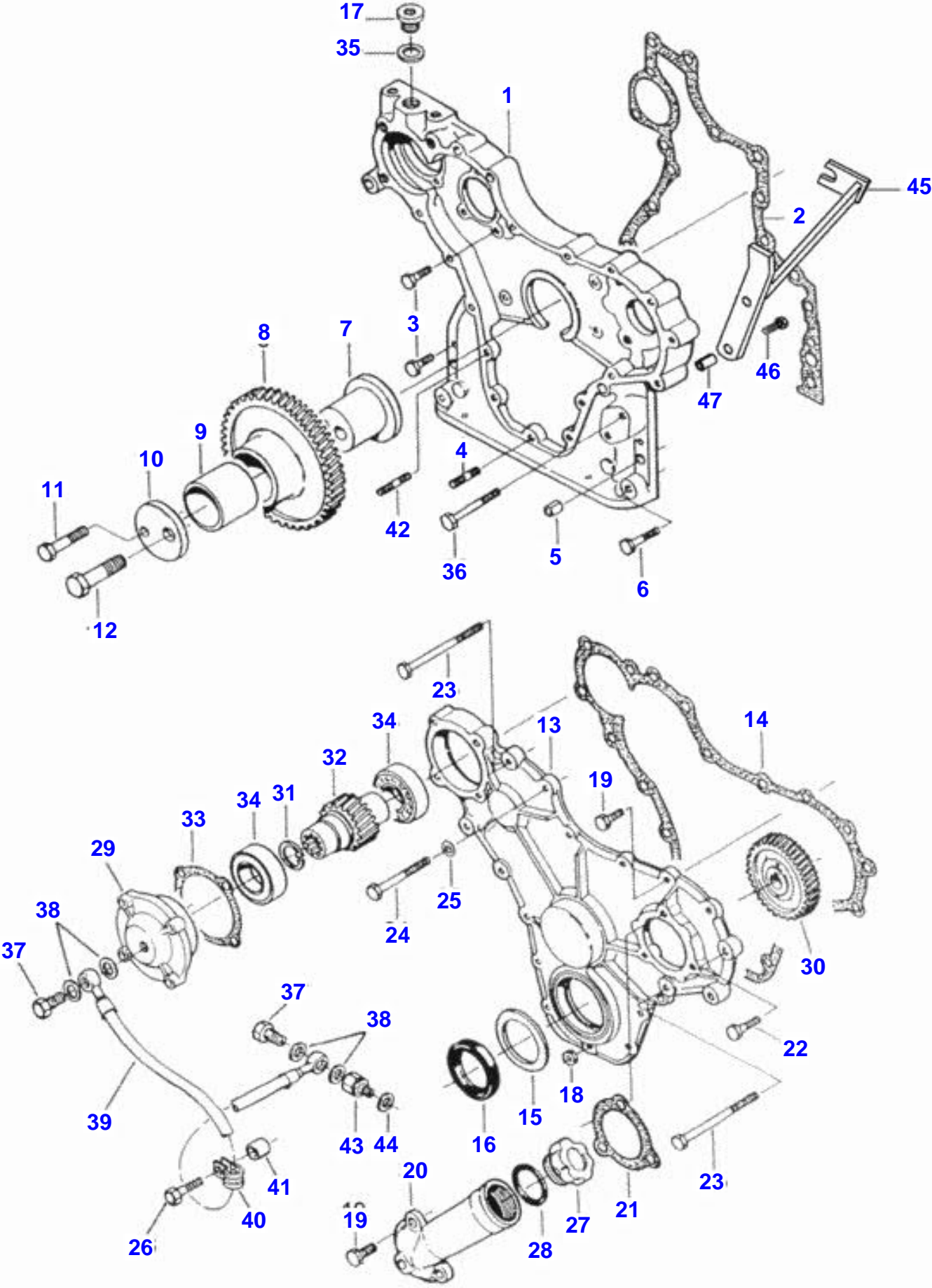
BH160 TRACTOR (BRAZIL)
CRANKSHAFT MECHANISM



CRANKSHAFT MECHANISM

Item	Part Number	Qty	Description	Comments
1	V836859075	1	Crankshaft	
2	V603345110	1	Shifting	
3	V836640073	6	Complete piston	
6	V836640078	6	Piston ring set	
7	V82659900	1	Connecting rod 6 cylinders kit	
8	V836864141	12	Screw	
10	V836646271	6	Bushing	
11	V836110552	6	Big-end bearing STD	
	V836112762	6	Big-end bearing 0,25 mm	
	V836112763	6	Big-end bearing 0,50 mm	
	V836112765	6	Big-end bearing 1,00 mm	
	V836112767	6	Big-end bearing 1,50 mm	
12	V836655514	7	Big-end bearing STD	
	V836655536	7	Main bearing 0,25mm	
	V836655537	7	Main bearing 0,50mm	
	V836655538	7	Main bearing 1,00mm	
	V836655539	7	Main bearing 1,50mm	
13	V836120332	2	Thrust washer	0,10 mm
	V836120333	2	Thrust washer	0,20 mm
	V836119459	2	Thrust washer	Standard
14	V836119550	1	Gear	
15	V836122840	1	Gear	
16	V836129781	1	Ring	
17	V836136271	1	Dust cover	
18	V836322586	1	Hub	
19	V595953360	1	Pin	
20A	V836355025	1	Pulley	
21A	V836847641	1	Nut	
22	VHC9327	6	Screw	
24	V836840867	1	Damper	
25	V581804620	3	Screw	

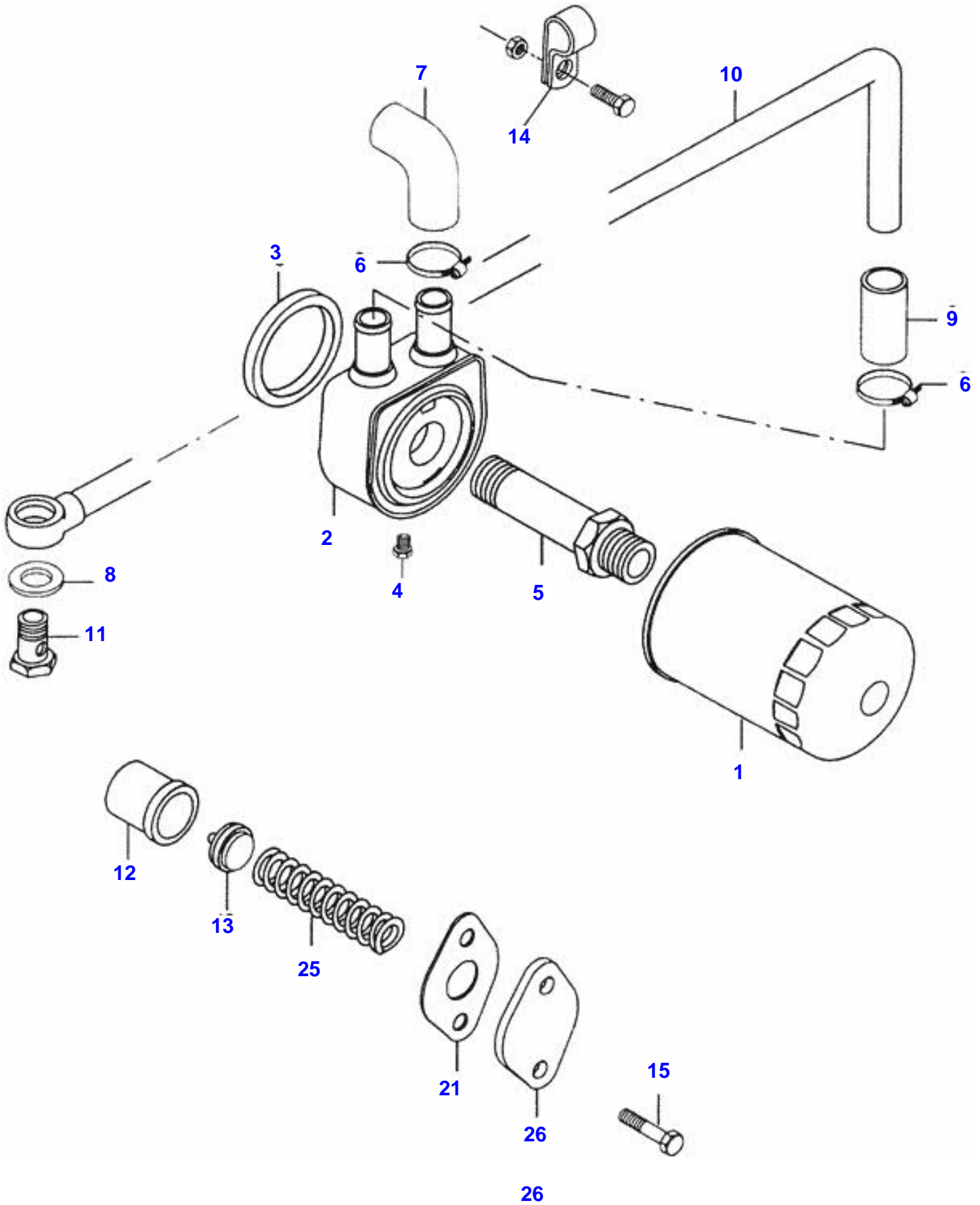
BH160 TRACTOR (BRAZIL)
FRONT COVER



FRONT COVER

Item	Part Number	Qty	Description	Comments
1	V836652221	1	Gear housing	
2	V836647419	1	Gasket gear housing	S2
3	VHA6324	10	Screw	
4	V546801380	4	Stud bolt	
5	VJE8802	4	Pin	
6	V529801440	2	Screw	
7	V836766127	1	Shaft	
8	V836138354	1	Gear assy	A=9
9	V836139039	1	Bushing	
10	V836129845	1	Washer	
11	V529801910	1	Screw	
12	V529902720	1	Screw	
13	V836647575	1	Cover	
14	V835336796	1	Gasket front cover	S2
15	V836129782	1	Shield ring	
16	V836673387	1	Oil seal, crankshaft	S2
17	V640325018	1	Plug	
18	VJB1108	4	Nut	
19	VHA9326	6	Screw	
20	V836746921	1	Pipe	
21	V89617700	1	Silicone Gasket cover	S2
22	VHA9230	3	Screw	
23	V529801500	2	Screw	
24	VHA8328	3	Screw	
25	V836120989	1	Washer	
26	V529801460	4	Screw	
27	V836338733	1	Cover	
28	V614604740	1	O-ring, oil cap	S2
29	V836655230	1	Bearing housing	
30	V836847891	1	Gear	
31	VKG3031	1	Circlip	
32	V836122843	1	Shaft	
33	V835336793	1	Gasket, bearing cover	S2
34	V610060096	2	Bearing	
35	V615881822	1	Seal ring	S2
36	VHA8327	1	Screw	
37	V835331289	2	Screw	
38	V615870610	4	Seal washer	
39	V82607600	1	Hose	
40	V602060612	1	Clamp	
41	V836119296	1	Spacer	
42	V546801410	1	Stud bolt	
43	V836655233	1	Connection	
44	V615571014	1	Seal ring	

BH160 TRACTOR (BRAZIL)
OIL COOLER



Thank you so much for reading.
Please click the “Buy Now!”
button below to download the
complete manual.



After you pay.

You can download the most
perfect and complete manual in
the world immediately.

Our support email:

ebooklibonline@outlook.com