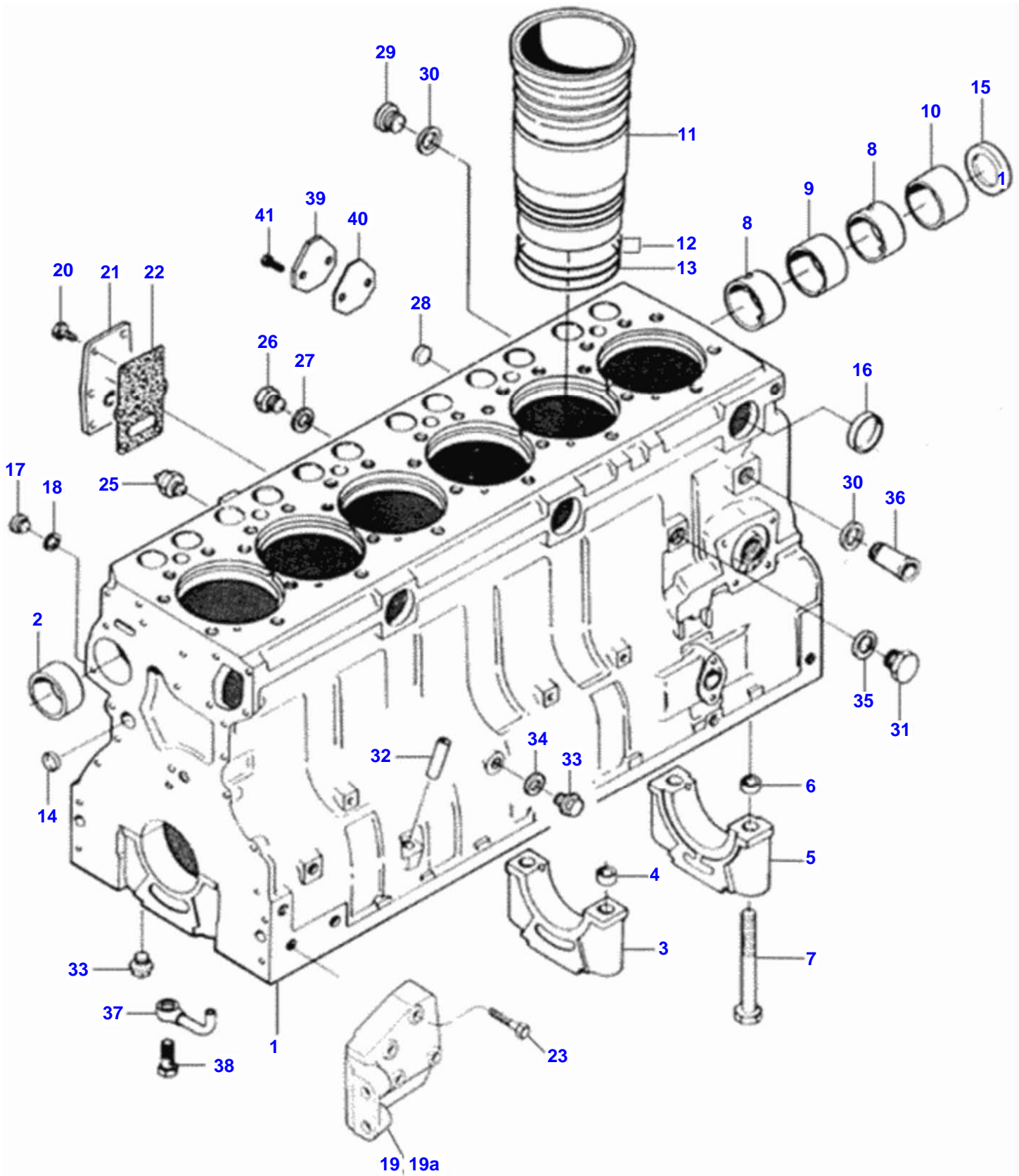


Page Title	Page Number
Cylinder Block	020-0010
Flywheel And Housing	020-0015
Cylinder Head	020-0020
Valve Mechanism	020-0025
Crankshaft Mechanism	020-0030
Front Cover	020-0035
Oil Cooler	020-0040
Sump	020-0045
Air Filter	020-0050
Inlet And Exhaust Manifold	020-0055
Muffler And Instalation Air Filter	020-0060
Side Muffler	020-0065
Turbocharger	020-0070
Sedimentation Filter	020-0075
Fuel Filter	020-0080
Injection Pump	020-0085
Throttle System	020-0090
Radiator	020-0095
Water Pump	020-0100
Water Pump	020-0105
Gasket Set - S1	020-0110
Gasket Kit S1 + S2	020-0115
Engine Repair Kit	020-0120

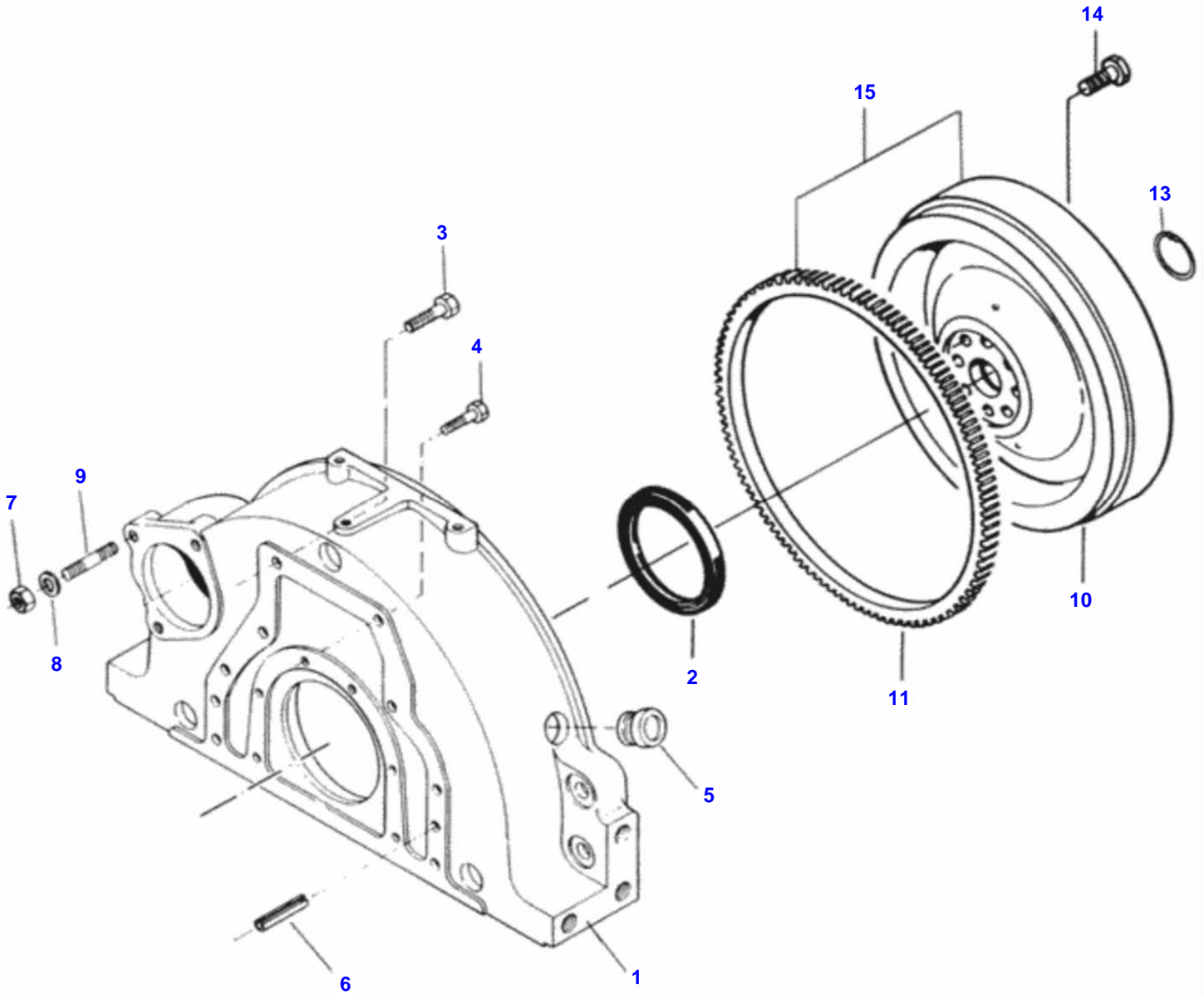
BH 165 TRACTOR (BR) - C016502
0000008



Cylinder Block

Item	Part Number	Qty	Description	Comments
1	V836866110	1	Cylinder Block	Ref. 2-10
2	V836866036	1	Bushing	
	V836866069	1	Bush	
3		6	Bearing Cover	[A]
4	V836214478	12	Guide Bushing	
5		1	Bearing Cover	[A]
6	V836214478	2	Guide Bushing	
7	V529903180	14	Screw	
8	V836852460	2	Bush	
	V836852466	2	Bush	
9	V836852459	1	Bush	
	V836852460	1	Bush	
10	V836852467	1	Bush	
	V836852461	1	Bush	
11	V836647933	6	Liner	s= 9,08mm
	V836647935	6	Liner	s= 9,23mm
	V836666990	6	Liner	s=9,03 std
	V836647934	6	Liner	s= 9,13mm
12	V836647502	12	Collet	S2
13	V836647503	6	Collet	S2
14	V640016016	4	Plug	S2
15	V836852744	1	Plug	
16	V640016040	3	Plug	
17	VGR0261	4	Plug	
18	V615571014	4	Washer	S2
19	V82055800	1	Bracket	
	V836852656	1	Bracket	
20	VHC9326	6	Screw	
21	V836847994	1	Cover	
22	V836322852	1	Cover Gasket	S2
23	V529802682	8	Screw	
25	V887283760	1	Pressure Sensor	
26	VGR0277	1	Plug	
27	VKH3625	1	Collet	S2
28	V640016018	3	Plug	
29	V640325018	1	Plug	
30	V615881822	2	Collet	S2
31	V836019756	1	Plug	
32	V836014334	1	Pipe	
33	V640305012	7	Plug	
34	V615881216	1	Collet	S2
35	VKH3617	1	Collet	S2
36	V82615500	1	Pipe	
37	V836846231	6	Nozzle	
38	V836338601	6	Valve	
39	V836647400	1	Cover	
40	V836647401	1	Gasket	
41	VHA6322	2	Screw	

FOOTNOTE [A] DELIVERED ONLY COMPLETE WITH BLOCK



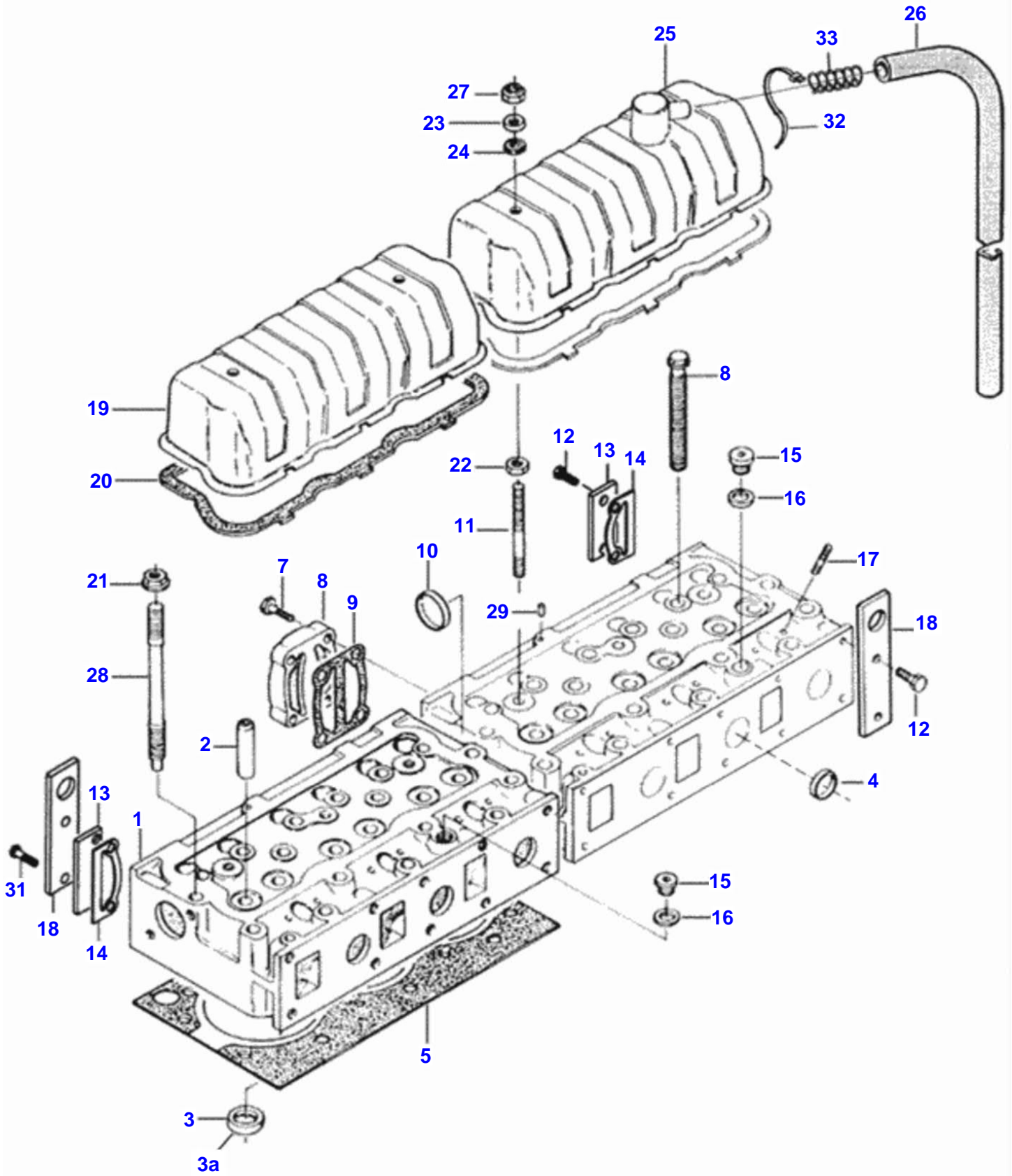
Flywheel And Housing

Item	Part Number	Qty	Description	Comments
1	V82052610	1	Housing	
2	V614500002	1	Seal	S2
3	V528902230	7	Screw	
4	V581705030	6	Screw	
5	V836007572	1	Plug	
6	VJE8802	2	Pin	
7	VJB1110	3	Nut	
8	V500951000	3	Washer	
9	V546801800	3	Dog	
10	V82060400	1	Flywheel	[B]
	V82063010	1	Flywheel	[A]
11	V835328783	1	Starter Ring	
13	VKG3072	1	Circlip	[B]
14	V529902250	7	Screw	
15	V82062910	1	Flywheel Assy.	[A]
	V82060300	1	Flywheel Assy.	[B]

FOOTNOTE [A] SINGLE CLUTCH

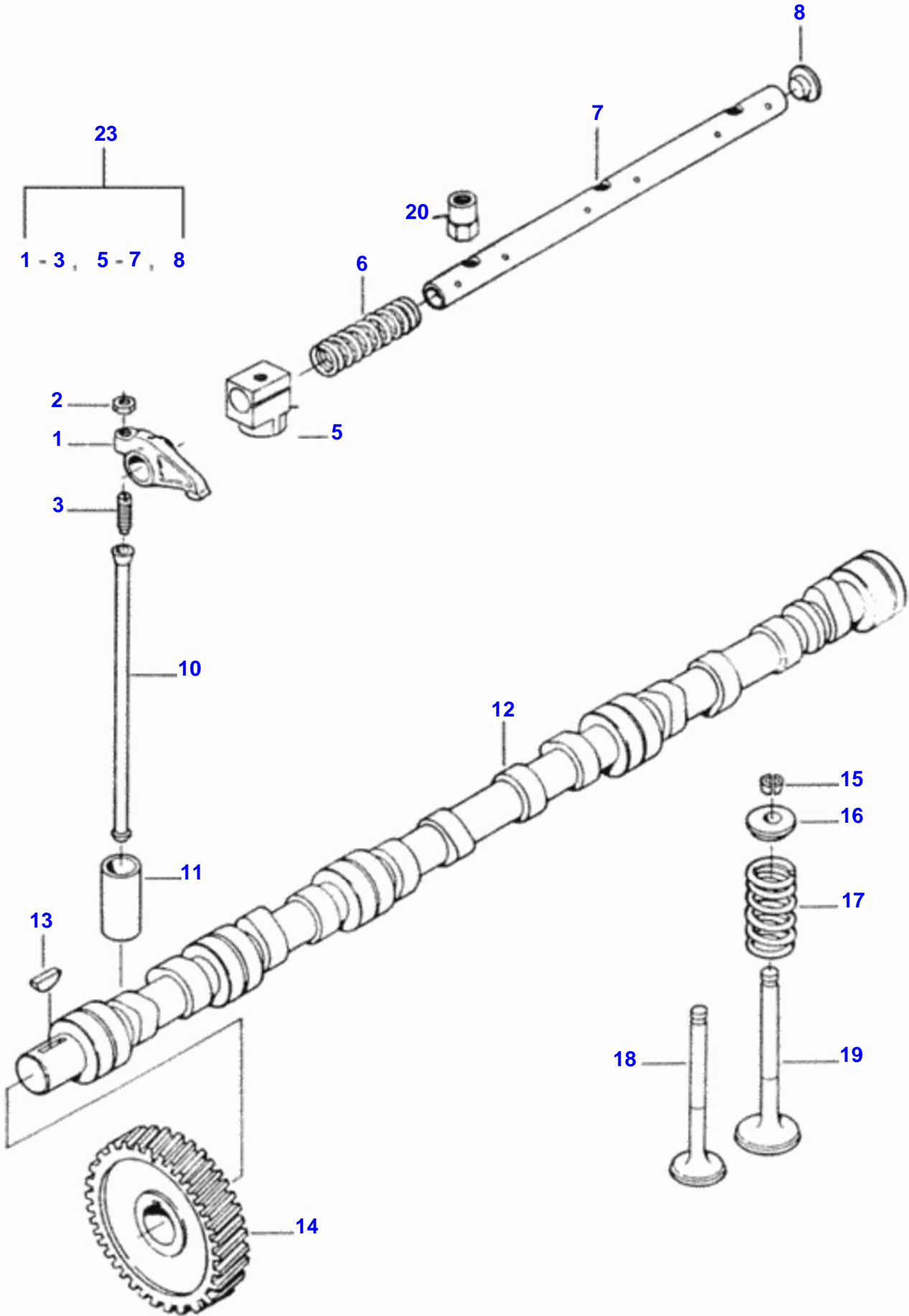
FOOTNOTE [B] DOUBLE CLUTCH

BH 165 TRACTOR (BR) - C016502
00000334



Cylinder Head

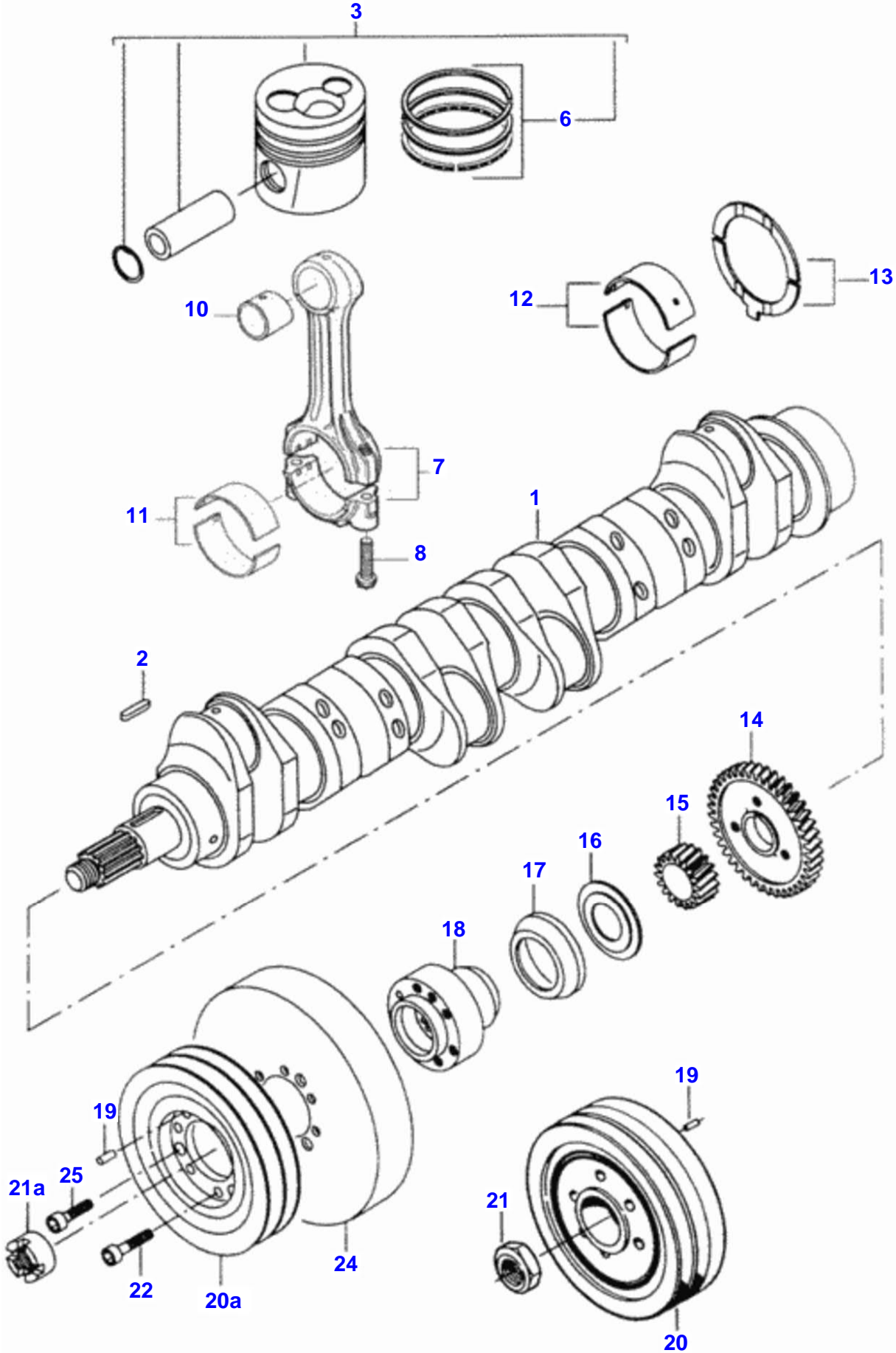
Item	Part Number	Qty	Description	Comments
	V836647936	6	Valve Seat	
1	V836855381	2	Head	
2	V836673175	12	Valve Guide	
3	V836647600	6	Valve Seat	
4	V836647942	10	Pad	
5	V837070290	2	Head Gaskets	S1
6	V836646383	32	Screw	
7	V529801830	4	Screw	
8	V836855348	1	Plate	
9	V836855418	1	Gasket	S1
10	V640016045	1	Pad	
11	V546801900	4	Dog	
12	V528801800	4	Screw	
13	V836855350	2	Cover	
14	V836855417	2	Gasket	S1
15	V640325018	2	Plug	
16	V615881822	2	Collet	S1
17	V546901435	12	Dog	
18	V836855349	2	Eyelet	
19	V836846448	1	Cover	
20	V836646360	2	Gasket	S1
21	V836859110	2	Nut	
22	VJB1110	4	Nut	
23	V836119855	4	Washer	
24	V836012841	4	Washer	S1
25	V836646359	1	Cover	
26	V835338706	1	Hose	
27	VJB8905	4	Nut	
28	V836859109	2	Dog	
29	V595953360	2	Pin	
31	V528801820	2	Screw	
32	V243020	1	Clamp	
33	V836659103	1	Spring	



Valve Mechanism

Item	Part Number	Qty	Description	Comments
1	V836667042	12	Complete	Ref. 2, 3
2	V512861000	12	Nut	
3	V837069023	12	Bolt	
5	V836666609	6	Bracket	
6	V836655884	4	Spring	
7	V836655870	2	Shaft	
8	V837069020	4	Plug	
10	V836655867	12	Rod	
11	V836014264	12	Tappet	
12	V836866054	1	Camshaft	
13	V603305760	1	Key	
14	V836646389	1	Gear	
15	V836646382	24	Valve Cotter	
16	V836646381	12	Spring Plate	
17	V837073405	12	Spring	
18	V836646357	6	Valve Exhaust	
19	V836646356	6	Valve Inlet	
20	V836655406	6	Nut	
21	V529801910	2	Screw	
23	V836667043	2	Parts Pack	Ref. 1-3, 5-7, 8

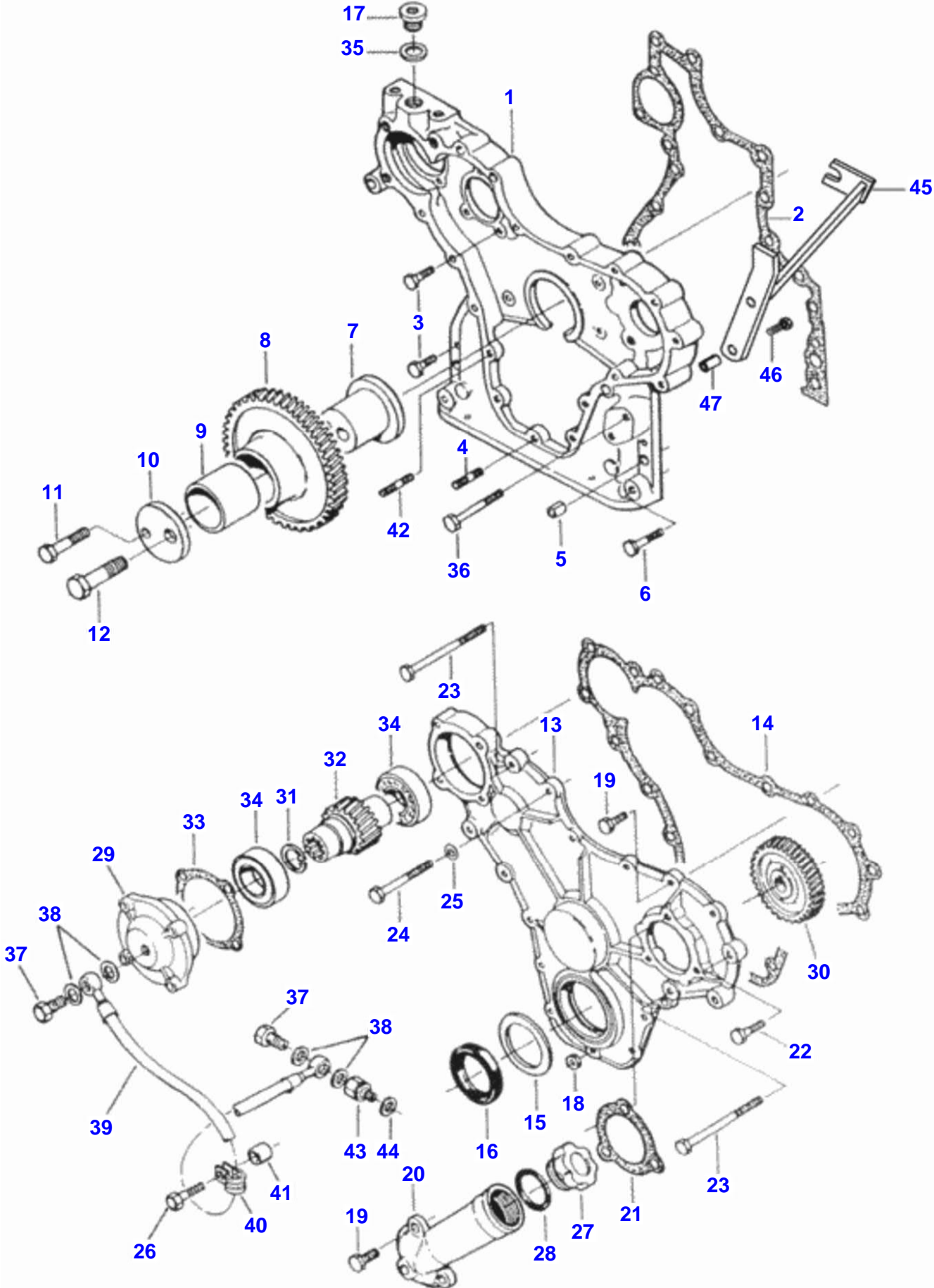
BH 165 TRACTOR (BR) - C016502
0000012



Crankshaft Mechanism

Item	Part Number	Qty	Description	Comments
1	V836859075	1	Crankshaft	
2	V603345110	1	Key	
3	V836640073	6	Piston	
6	V836640078	6	Kit, Ring	
7	V82659900	1	Kit, Conrod	
8	V836864141	12	Screw	
10	V836646271	6	Bush	
11	V836112767	6	Slider Bearing	
	V836112762	6	Slider Bearing	
	V836112763	6	Slider Bearing	
	V836112765	6	Slider Bearing	
	V836110552	6	Big End Bearing	
12	V836655538	7	Big-end Bearing	
	V836655539	7	Big-end Bearing	
	V836655514	7	Big-end Bearing	
	V836655537	7	Big-end Bearing	
	V836655536	7	Big-end Bearing	
13	V836119459	2	Washer	Standard
	V836120332	2	Washer	0,10 mm
	V836120333	2	Washer	0,20 mm
14	V836119550	1	Gear	
15	V836122840	1	Gear	
16	V836129781	1	Ring	
17	V836136271	1	Dustcap	
18	V836322586	1	Hub	
19	V595953360	1	Pin	
20	V836355025	1	Pulley	
21	V836847641	1	Nut	
22	VHC9327	6	Screw	
24	V836840867	1	Damper	
25	V581804620	3	Screw	

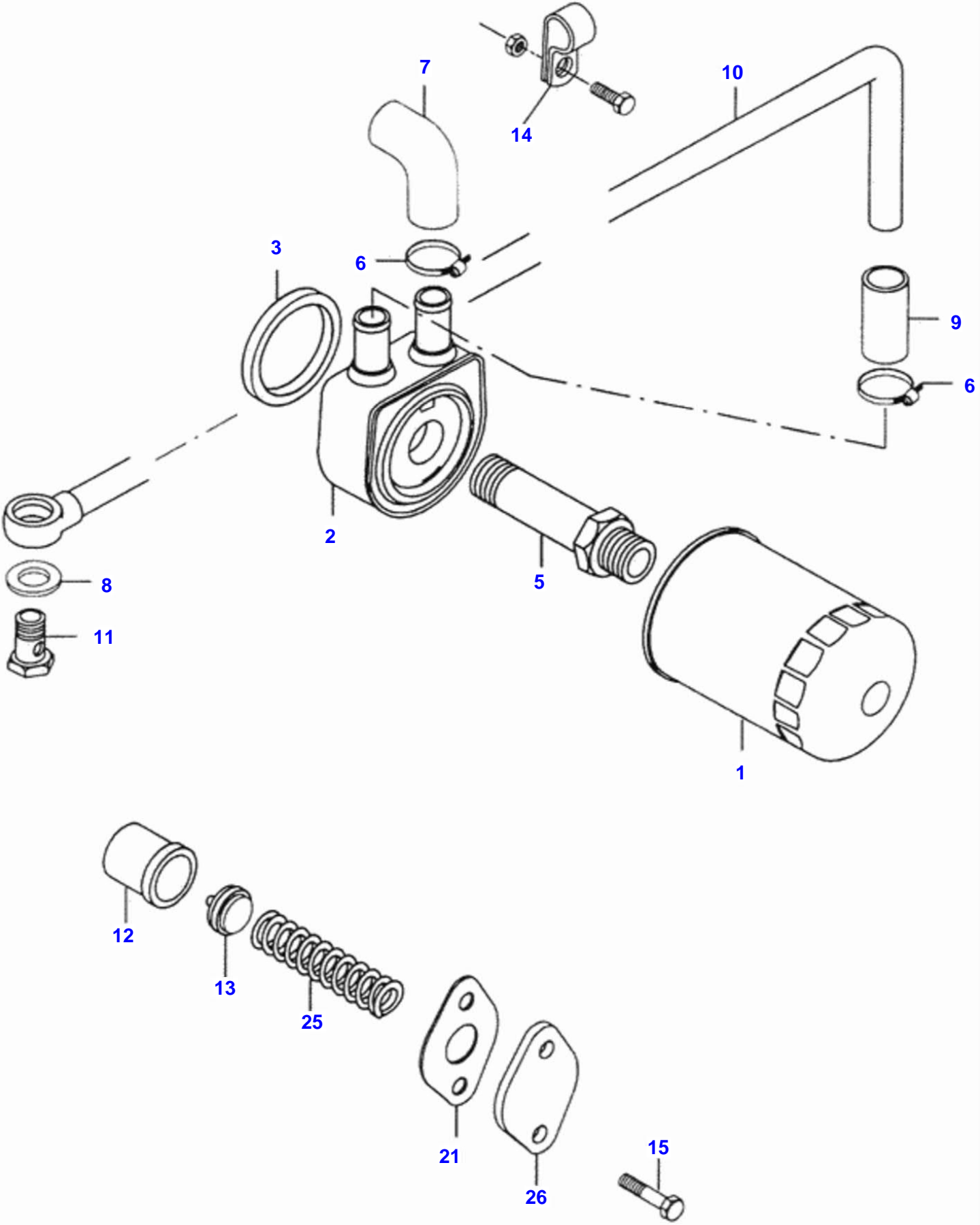
BH 165 TRACTOR (BR) - C016502
00002518



Front Cover

Item	Part Number	Qty	Description	Comments
1	V836652221	1	Timing Gear Case	
2	V836647419	1	Gasket	S2
3	VHA6324	10	Screw	
4	V546801380	4	Dog	
5	VJE8802	4	Pin	
6	V529801440	2	Screw	
7	V836766127	1	Shaft	
8	V836138354	1	Gear	A=9
9	V836139039	1	Bush	
10	V836129845	1	Flange	
11	V529801910	1	Screw	
12	V529902720	1	Screw	
13	V836647575	1	Cover	
14	V835336796	1	Gasket	S2
15	V836129782	1	Collet	
16	V614105880	1	Seal	S2
17	V640325018	1	Plug	
18	VJB1108	4	Nut	
19	VHA9326	6	Screw	
20	V836746921	1	Filler	
21	V836129946	1	Gasket	S2
22	VHA9230	3	Screw	
23	V529801500	2	Screw	
24	VHA8328	3	Screw	
25	V836120989	1	Washer	
26	V529801460	4	Screw	
27	V836338733	1	Cover	
28	V614604740	1	Collet	S2
29	V836655230	1	Bearing Housing	
30	V836847891	1	Gear	
31	VKG3031	1	Circlip	
32	V836122843	1	Shaft	
33	V835336793	1	Gasket	S2
34	V610060096	2	Bearing	
35	V615881822	1	Collet	S2
36	VHA8327	1	Screw	
37	V835331289	2	Screw	
38	V615870610	4	Washer	
39	V82607600	1	Hose	
40	V602060612	1	Clamp	
41	V836119296	1	Spacer	
42	V546801410	1	Dog	
43	V836655233	1	Connection	
44	V615571014	1	Washer	

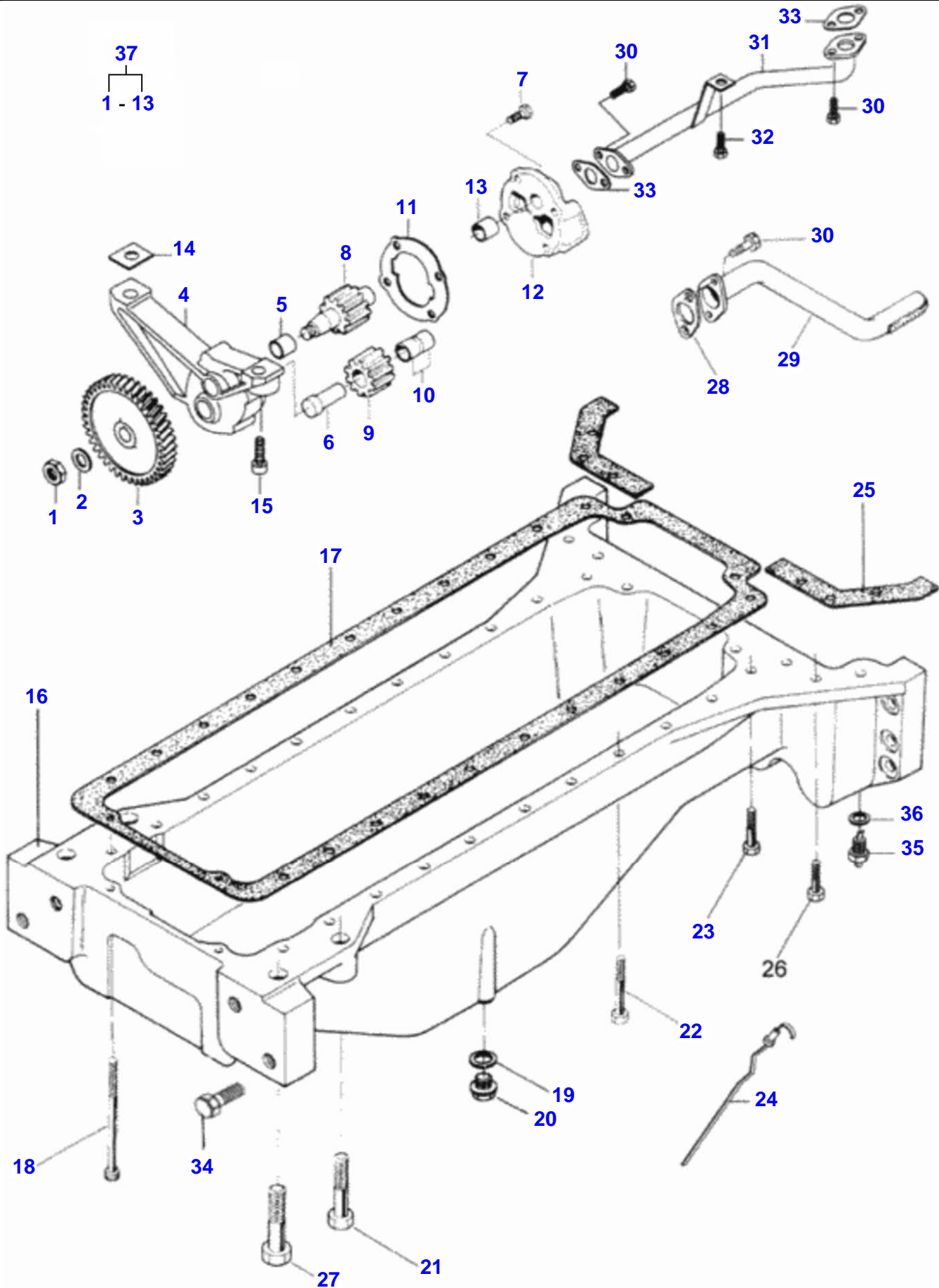
BH 165 TRACTOR (BR) - C016502
0000014



Oil Cooler

Item	Part Number	Qty	Description	Comments
1	V836647133	1	Oil Filter	
2	V82613000	1	Oil Cooler	Ref. 3 e 4
3	V82689000	1	Collet	
5	V82613100	1	Connection	
6	VGP3910	4	Clamp	
7	V836747124	1	Hose	
8	VKH3617	2	Collet	S2
9	V836129978	1	Hose	
10	V836847929	1	Pipe	
11	V640435015	1	Screw	
12	V836659521	1	Retention	
13	V836659522	1	Valve Plate	
14	V602074615	1	Clamp	
15	VH?323	2	Bolt	
21	V836322190	1	Gasket	S2
25	V836864056	1	Spring	
26	V836659524	1	Cover	

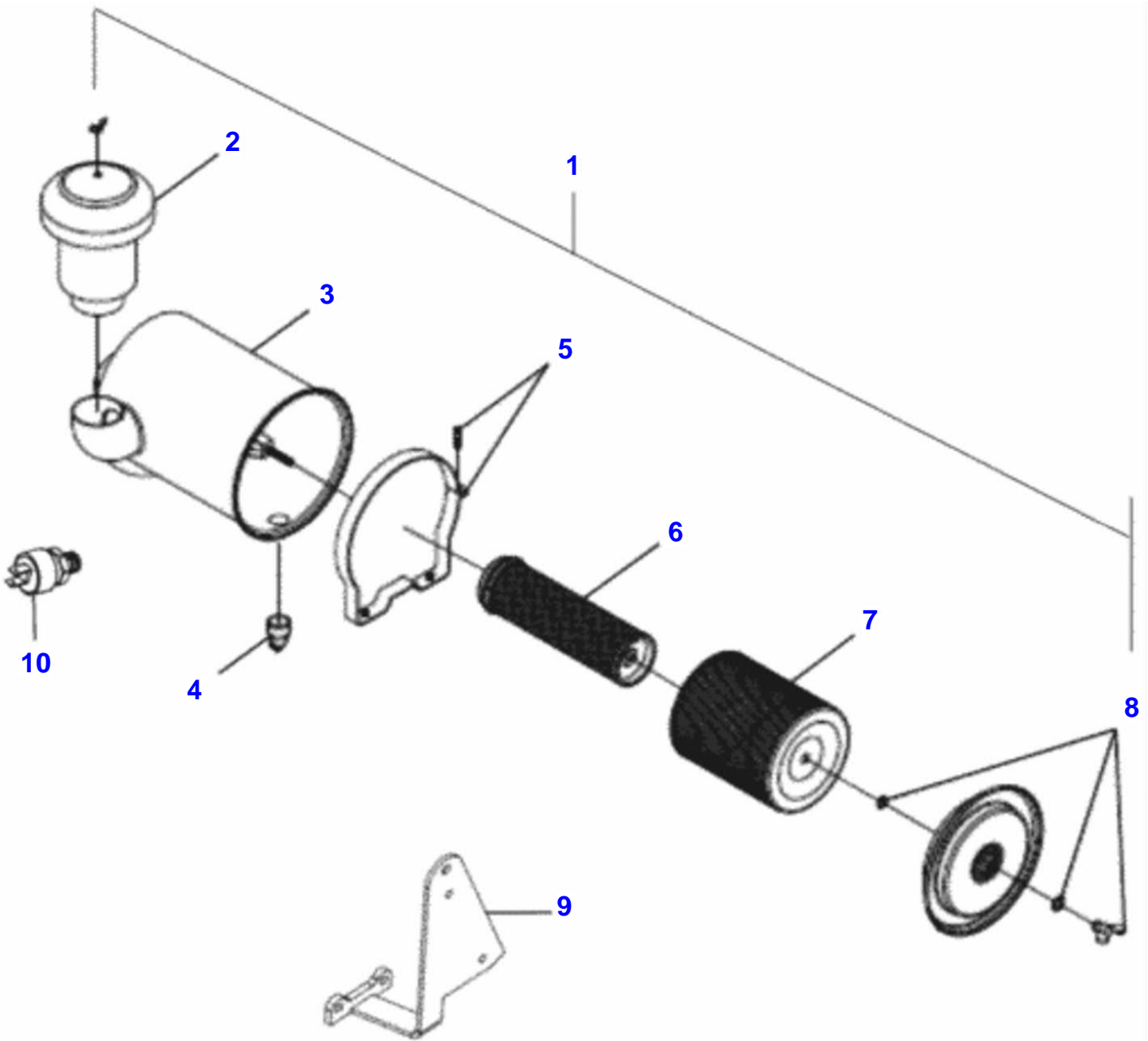
BH 165 TRACTOR (BR) - C016502
0000015



Sump

Item	Part Number	Qty	Description	Comments
1	V504861000	1	Nut	
2	V836122910	1	Washer	
3	V836338667	1	Gear	
4	V836338186	1	Housing	
5	V836322909	1	Bush	
6	V836338668	1	Shaft	
7	VHA6323	4	Screw	
8	V836338181	1	Gear	
9	V836338180	1	Gear	
10	V836322909	2	Bush	
11	V836338188	1	Gasket	S2
12	V836855297	1	Cover	
13	V836322909	1	Bush	
14	V836007871		Spacing Plate	[A]
15	VHC8338	2	Screw	
16	V82052500	1	Sump	
17	V836322183	1	Gasket	S2
18	V581704830	2	Screw	
19	VKH3635	1	Collet	S2
20	VGR0277	1	Plug	
21	V529903990	2	Screw	
22	V529701880	22	Screw	
23	V82060200	2	Screw	
24	V82083700	1	Measuring	
25	V82065000	2	Gasket	
26	V581705030	6	Screw	
27	V82064700	2	Screw	
28	V836122282	1	Gasket	S2
29	V82650900	1	Pipe	
30	VHC9326	6	Screw	
31	V82650800	1	Pipe	
32	VHA6322	1	Screw	
33	V836008449	2	Gasket	S2
34	VHA6370	2	Screw	M20 x 60mm
35	V82675800	2	Bolt	
36	VJD3116	2	Washer	
999	V836855300	1	Oil Pump	Ref. 1 a 13

FOOTNOTE [A] ACCORDING TO NECESSITY



Thank you so much for reading.
Please click the “Buy Now!”
button below to download the
complete manual.



After you pay.

You can download the most
perfect and complete manual in
the world immediately.

Our support email:

ebooklibonline@outlook.com