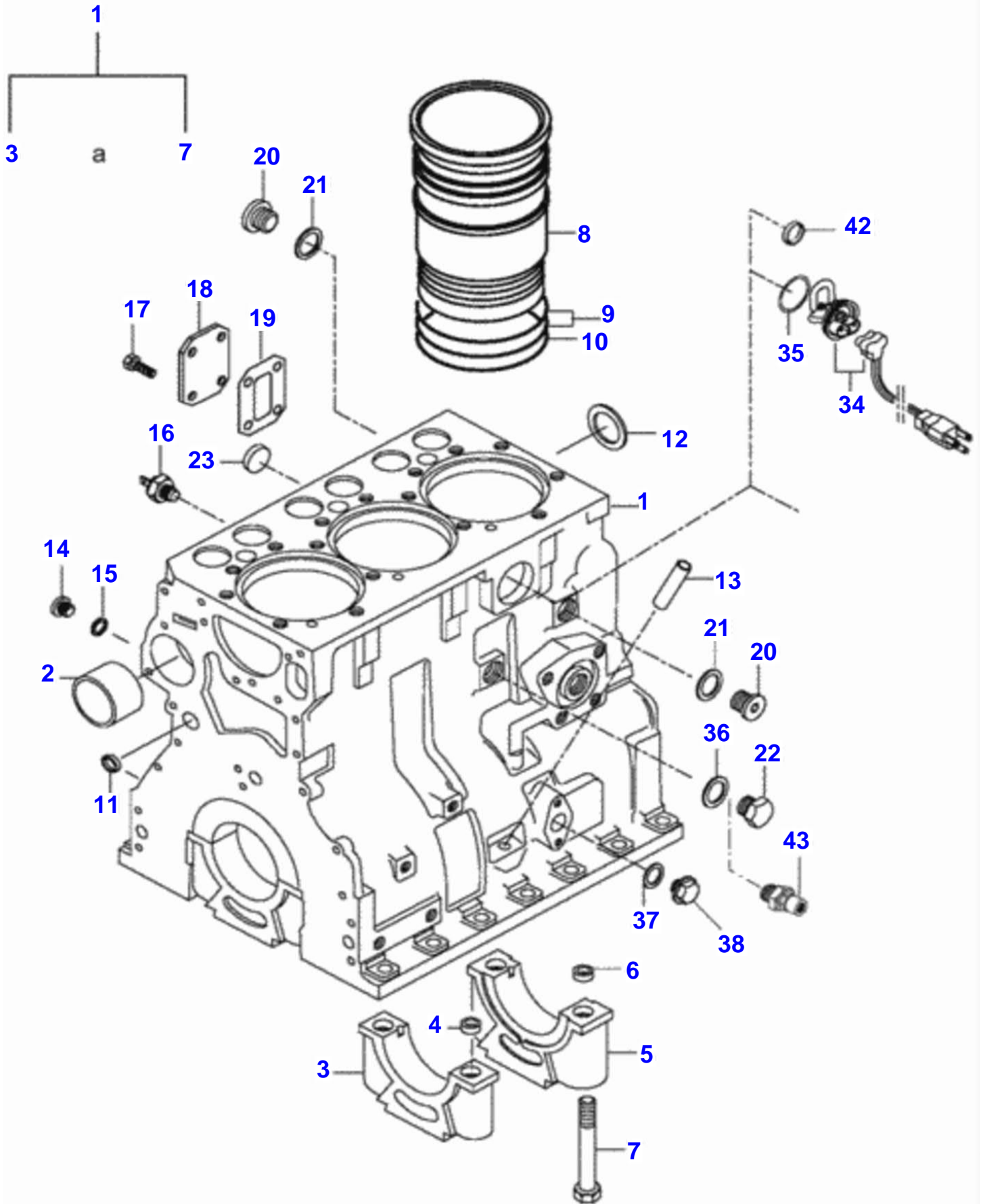


Page Title	Page Number
Cylinder Block	020-0010
Flywheel And Gear Rim	020-0015
Cylinder Head	020-0020
Valves Mechanism	020-0025
Crankshaft Mechanism	020-0030
Gear Housing	020-0035
Sump	020-0040
Oil Filter	020-0045
Air Filter	020-0050
Inlet And Exhaust Manifold	020-0055
Muffler	020-0060
Turbocharger	020-0065
Inlet And Exhaust Manifold - Tier I	020-0070
Feed Pump	020-0075
Sedimentation Filter	020-0080
Fuel Filter- Tier I	020-0085
Fuel Filter - Tier Ii	020-0090
Fuel Filter Brezil	020-0095
Injection Pump Stanadyne	020-0100
Injection Pump	020-0105
Injection Pump - Tier Ii	020-0110
Nozzle	020-0115
Throttle System	020-0120
Prefilter, Fuel	020-0125
Fuel Pipes	020-0130
Radiator	020-0135
Water Pump And Fan	020-0140
Gasket Set S1	020-0145
Gasket Set S1+S2	020-0150
Repair Kit	020-0155

700 TRACTOR (BR) - C070001  
00002066

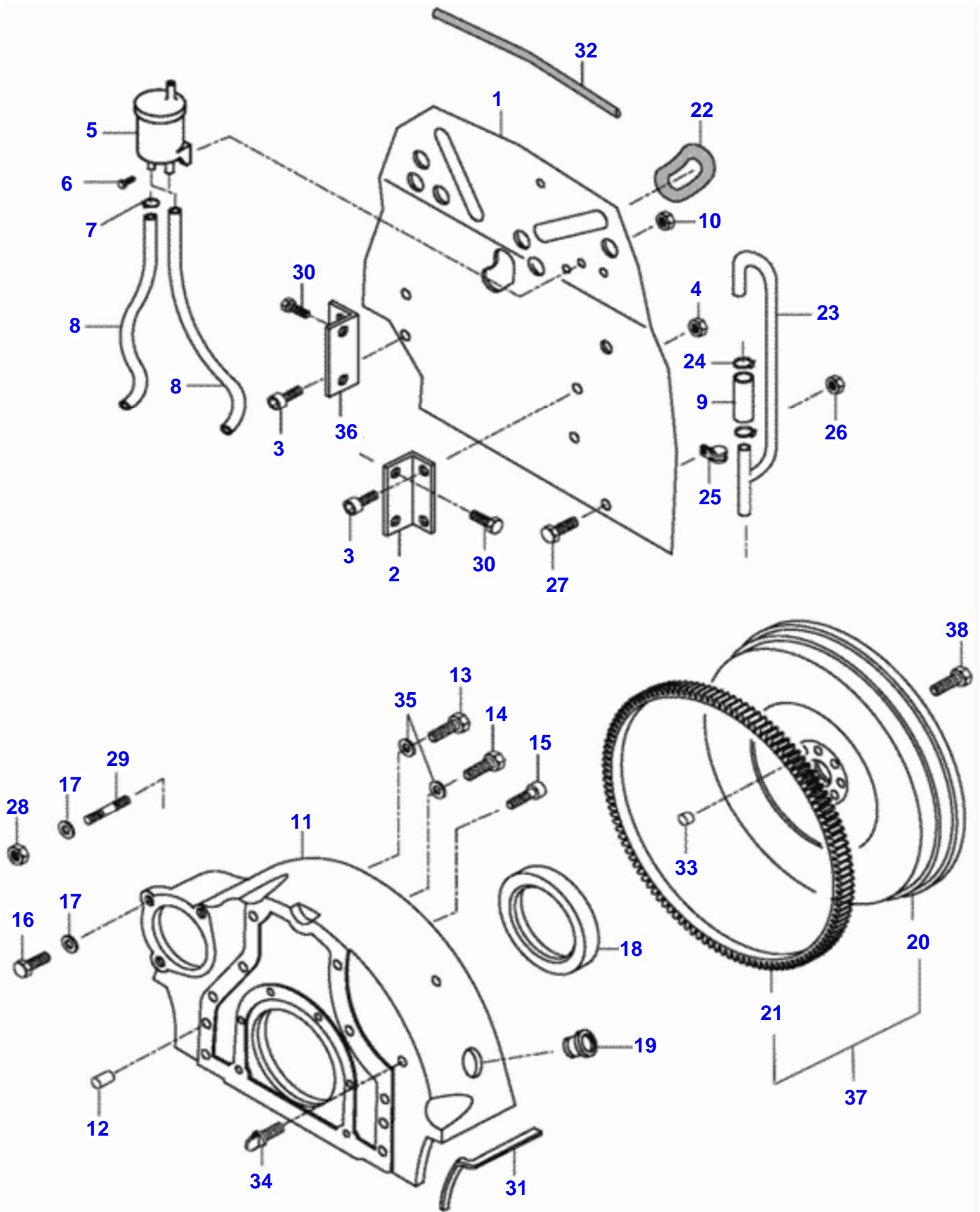


## Cylinder Block

Item	Part Number	Qty	Description	Comments
1	836667523	1	Assy	
2	836866069	1	Bush	
3		1	Bearing Cover	[A]
4	836214478	6	Guide Bushing	
5		1	Bearing Cover	[A]
6	836214478	2	Guide Bushing	
7	529903180	8	Screw	
8	836666990	3	Liner	Flange s=9,13mm
	836647935	3	Liner	Flange s=9,23mm
	836647934	3	Liner	Flange s=9,13mm
	836647933	3	Liner	Flange s=9,08mm
9	836647502	6	Seal Ring	S2
10	836647503	3	Seal Ring	S2
11	640016016	4	Plug	S2
12	836529872	1	Pad	
13	836014334	1	Pipe	
14	640325110	2	Plug	
15	615571014	2	Seal Ring	S2
16	887283760	1	Temp. Sensor	
	836666797	1	Pressure Switch	USA
17	528801362	2	Bolt	
18	836659543	1	Cover	
19	836647401	1	Gasket	S2
	836659544	1	Gasket	S2
20	640325018	2	Plug	
21	615881822	2	Collet	
22	836019756	1	Plug	
23	640016018	1	Plug	
34	836640935	1	Endurance	600W 120V USA
35	836640999	1	O-Ring	USA
36	615881824	1	O-Ring	S2
37	615881216	2	Collet	
38	640305012	2	Plug	
42	640016040	1	Plug	
43	836664377	1	Connection	
999	836640289	1	Kit, Joint	S1
	836640356	1	Gasket Set S1+S2	S1+S2

FOOTNOTE [A] DELIVERED ONLY COMPLETE WITH BLOCK

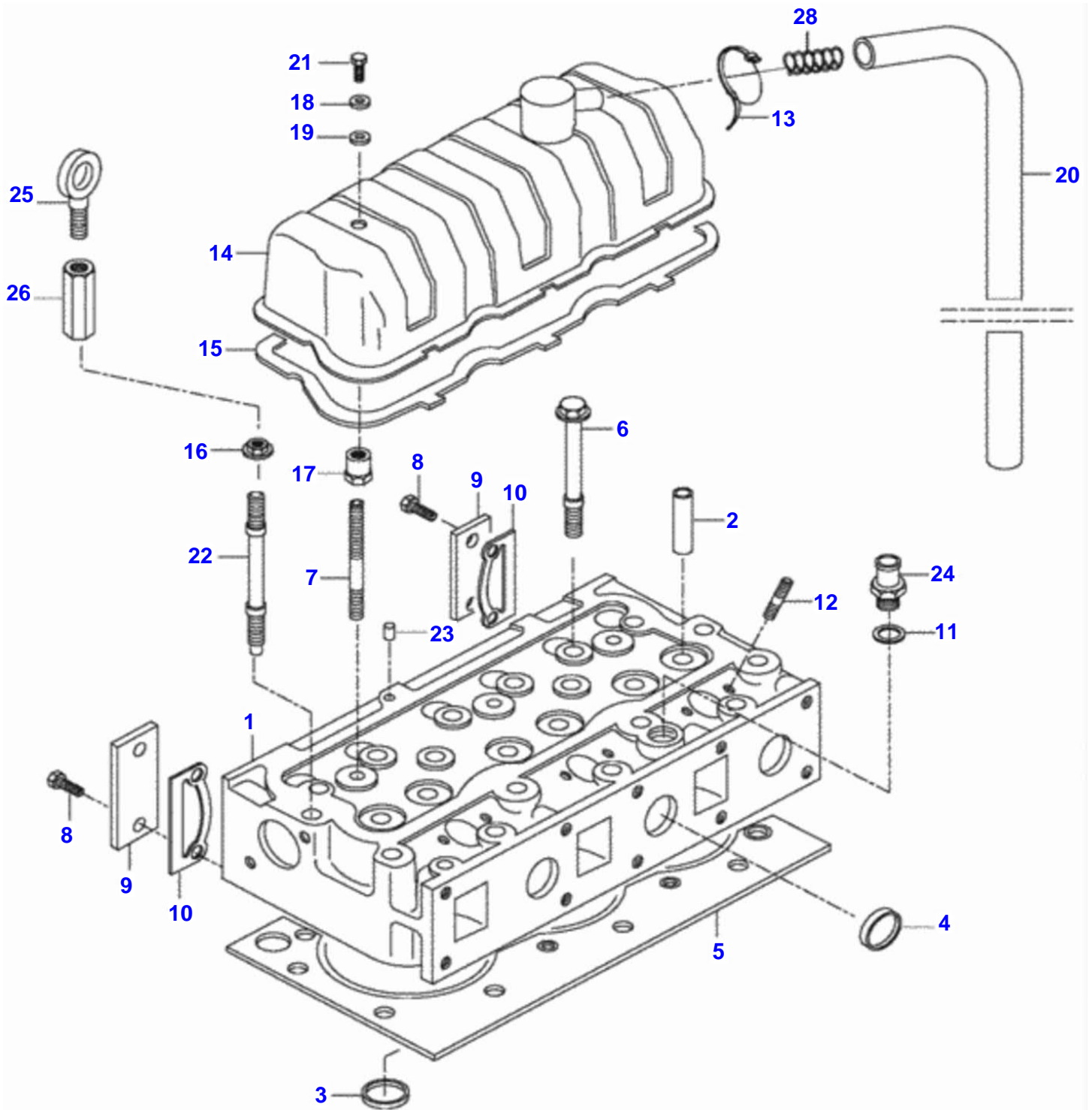
700 TRACTOR (BR) - C070001  
00002068



## Flywheel And Gear Rim

Item	Part Number	Qty	Description	Comments
1	836664018	1	Rear Plate	
	836759277	1	Rear Plate	
2	836659279	1	Left Support	
3	581804582	4	Bolt	
4	504800800	4	Nut	
5	835324375	1	Reservoir	
6	528800762	2	Bolt	
7	602066609	4	Clamp	
8	836655792	2	Rubber Pipe	
9	835328356	1	Rubber Pipe	
10	510600502	2	Nut	
11	836752443	1	Housing	
12	598359850	2	Pin	
13	581705440	2	Bolt	
14	528702220	14	Bolt	
15	581705030	6	Screw	
16	528801800	3	Screw	
17	500951000	3	Washer	
18	837074841	1	Seal	S2
19	836007572	1	Plug	
20	836538042	1	Flywheel	
21	836117970	1	Starter Ring	Z=128
22	836647731	1	Gasket	
23	836759585	1	Pipe	
24	602066612	2	Clamp	
25	602074610	2	Clamp	
26	504600502	2	Nut	
27	528800802	2	Bolt	
28	504601000	3	Nut	
29	546801800	3	Stud	
30	528801760	2	Bolt	
31	31085600	1	Left Gasket	
32	30229000	1	Gasket	
33	836659527	1	Bush	
34	836859311	1	Plug	
35	500951200	8	Washer	
36	836659278	2	Right Support	
37	836538043	1	Flywheel	Ref. 20 e 21
38	528902230	7	Screw	

700 TRACTOR (BR) - C070001  
00002069



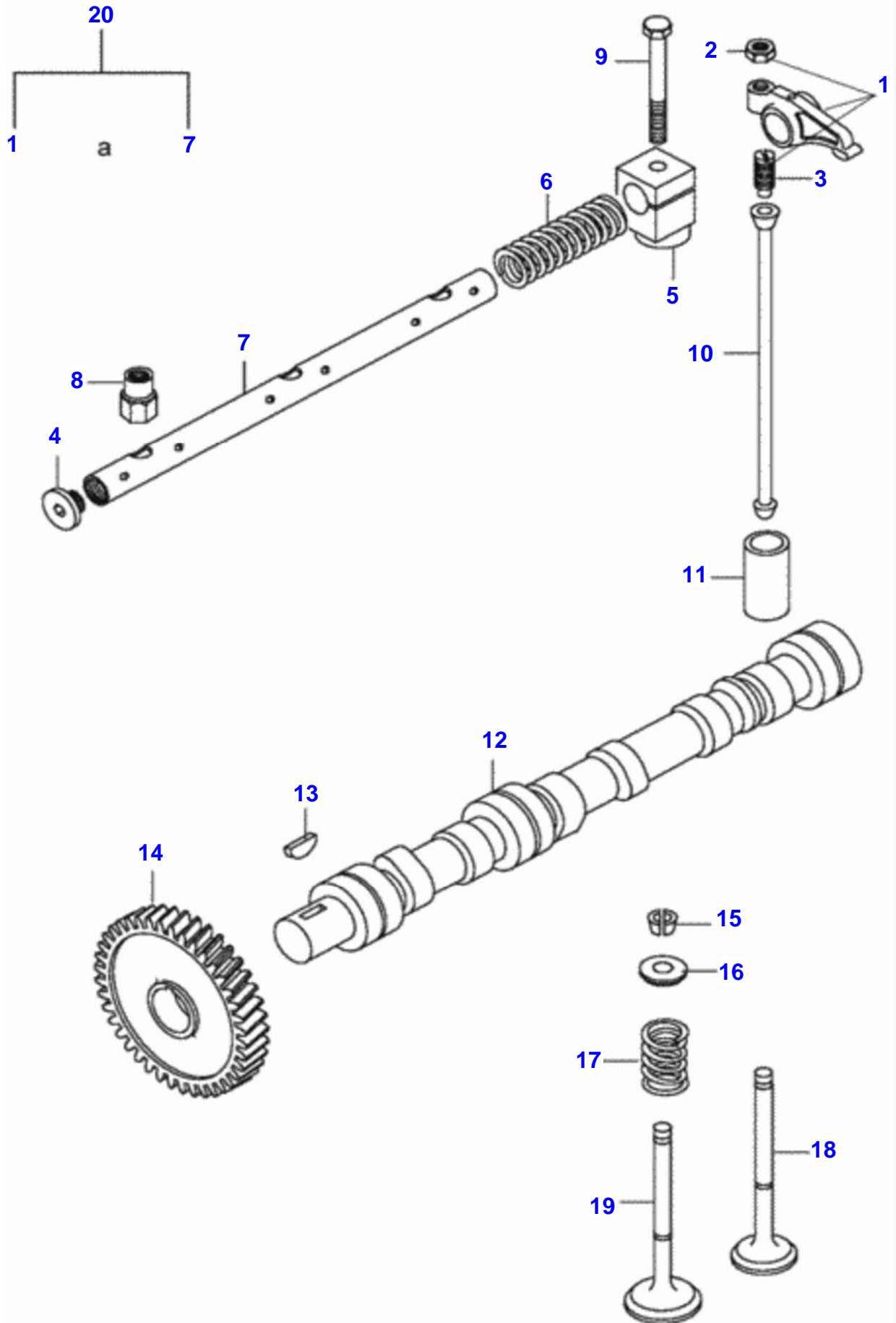
**Valtra****700 TRACTOR (BR) - C070001**

C070001

Page020-0020

**Cylinder Head**

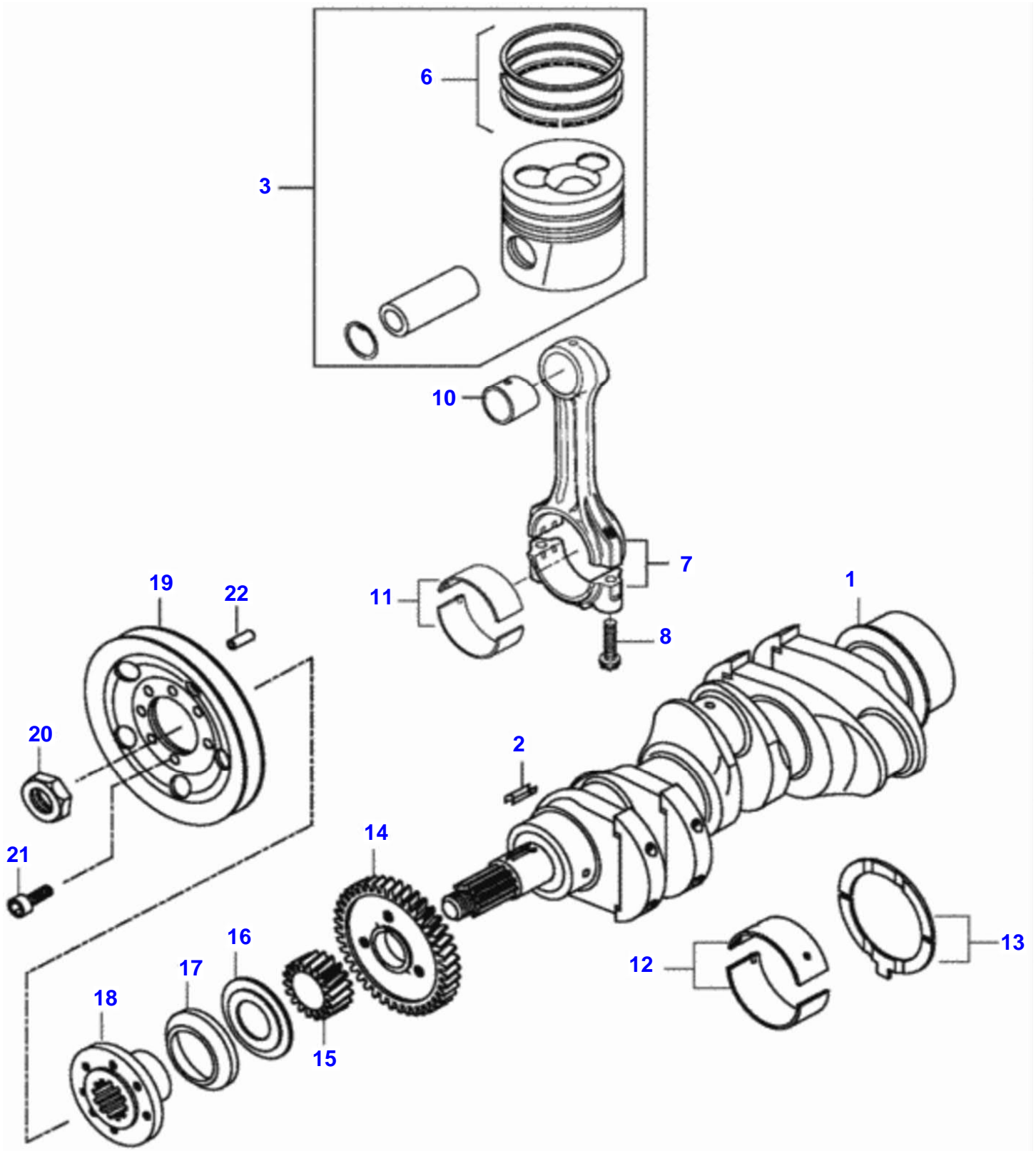
Item	Part Number	Qty	Description	Comments
1	836855381	1	Head	
2	836673175	6	Valve Guide	
3	836647600	3	Valve Seat	
4	836647942	5	Pad	
5	837084523	1	Head Gasket	S1
6	836859104	15	Bolt	
7	546801900	2	Stud	
8	528801800	4	Screw	
9	836855350	2	Cover	
10	836866215	2	Gasket	S1
11	615881822	1	Collet	S1
12	546901435	6	Stud	
13	835329746	1	Clamp	
14	836646359	1	Cover	
15	836646360	1	Gasket	S1
16	836859110	2	Nut	
17	836655406	2	Nut	
18	836119855	2	Washer	
19	836012841	2	Washer	S1
20	836647814	1	Hose	
21	HA9089	2	Screw	
22	836859109	2	Stud	
23	595959140	1	Pin	
24	836119837	1	Connection	
25	836640252	1	Eyelet	
26	836647835	1	Nut	
28	836659103	1	Spring	





## Valves Mechanism

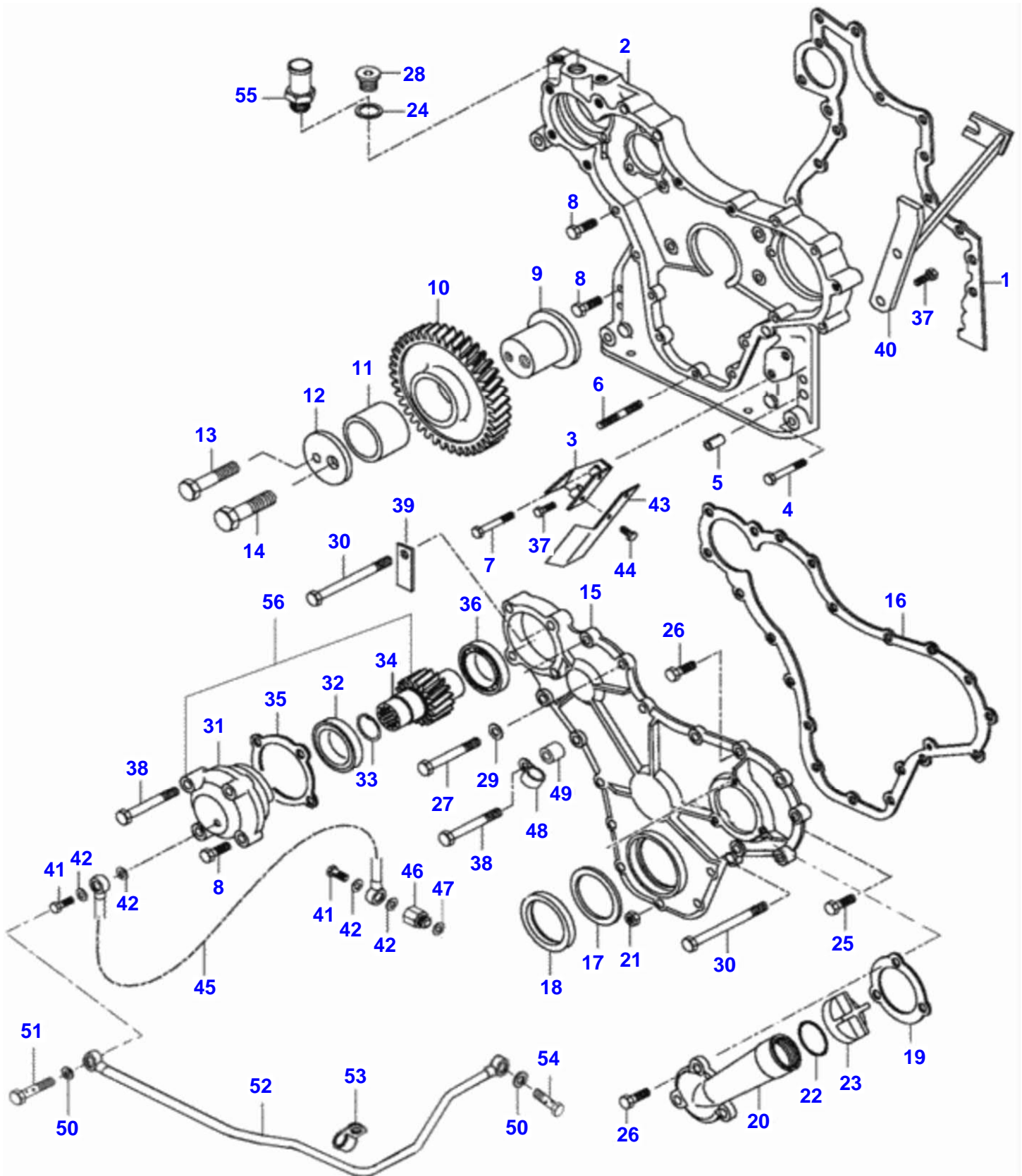
Item	Part Number	Qty	Description	Comments
1	836667042	6	Complete	
2	512861000	6	Nut	
3	837069023	6	Bolt	
4	837069020	2	Plug	
5	836666609	3	Bracket	
6	836655884	2	Spring	
7	836655870	1	Shaft	
8	836655406	2	Nut	
9	529801910	1	Screw	
10	836655867	6	Push Rod	
11	836014264	6	Tappet	
12	836646374	1	Camshaft	
13	603305760	1	Key	
14	836646389	1	Gear	
15	836646382	12	Valve Cotter	
16	836646381	6	Spring Plate	
17	837073405	6	Spring	
18	836646357	3	Valve Exhaust	
19	836646356	3	Valve Inlet	
20	836667043	1	Valve Mechanism	Ref. 1,2,3,4,5,6



## Crankshaft Mechanism

Item	Part Number	Qty	Description	Comments
1	837074337	1	Crankshaft	
2	603345110	1	Key	
3	88605300	3	Complete Piston	VDB
	836659702	3	Complete Piston	USA
6	836640126	3	Piston Ring Set	
7	82659700	1	Kit, Conrod	
8	836864141	6	Screw	
10	836646271	3	Bush	
11	836112767	3	Slider Bearing	Thickness 1,50mm
	836112765	3	Slider Bearing	Thickness 1,00mm
	836112763	3	Slider Bearing	Thickness 0,50mm
	836112762	3	Slider Bearing	Thickness 0,25mm
	836120333	2	Washer	0,20mm
	836120332	2	Washer	0,10mm
	836110552	3	Big-End	
12	836655539	4	Big-end Bearing	
	836655538	4	Big-end Bearing	
	836655537	4	Big-end Bearing	
	836655536	4	Big-end Bearing	
	836655514	4	Big-end Bearing	
13	836119459	2	Stop Ring	
14	836120019	1	Gear	
15	836122840	1	Gear	
16	836129781	1	Ring	
17	836136271	1	Dustcap	
18	836846463	1	Hub	
19	836655449	1	Pulley	
20	836647310	1	Nut	
21	581804600	6	Bolt	
22	595953360	1	Pin	

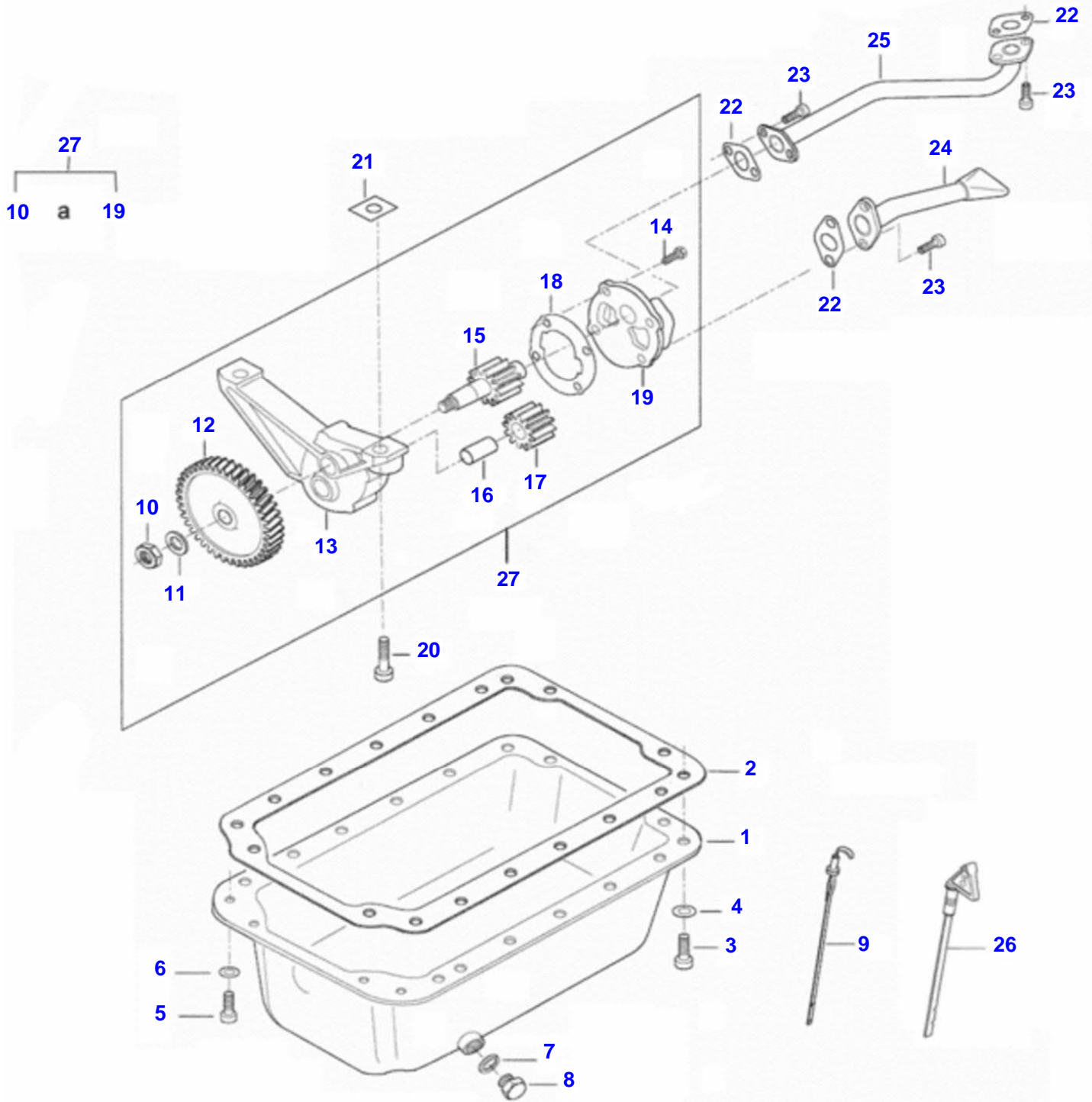
700 TRACTOR (BR) - C070001  
00002075



## Gear Housing

Item	Part Number	Qty	Description	Comments
1	836647419	1	Gasket	S2
2	836666401	1	Gear Housing	USA
	836652221	1	Timing Gear Case	
3	836655720	1	Gauge	
4	529801440	2	Screw	
5	598359850	4	Pin	
6	546801380	5	Stud	
7	529801450	1	Bolt	
8	528801400	10	Bolt	
9	836138356	1	Shaft	
10	836138354	1	Gear	Ref. 11
11	836139039	1	Bush	
12	836129845	1	Attachment Cover	
13	528801910	1	Bolt	
14	529902720	1	Screw	
15	836647575	1	Cover	
16	835336796	1	Gasket	S2
17	836129782	1	Collet	
18	614105880	1	Seal	S2
19	836129946	1	Gasket	S2
20	835338325	1	Right Tube	
21	504800800	5	Nut	
22	614603540	1	O Ring	S2
23	836017927	1	Cover	
	836655188	1	Pad	USA
24	615881822	1	Collet	S2
25	528801420	2	Bolt	
26	HA6323	5	Screw	
27	529801470	3	Bolt	
28	836119851	1	Left Connection	
29	836120989	1	Double	
30	529801500	2	Screw	
31	836655230	1	Bearing Housing	
32	LA1014	1	Bearing	
33	KG3031	1	Circlip	
34	836674533	1	Gear Z - 38	
35	835336793	1	Gasket	
36	610060090	1	Bearing	
37	528801362	3	Bolt	
38	529801460	4	Screw	
39	836083428	1	Fastening Plate	
40	836664528	1	Bracket	
41	640435008	2	Bolt	
42	615870610	1	Seal Ring	
43	836659093	1	Belt Cover	
44	528801082	2	Bolt	
45	82664500	1	Hose	
46	836655233	1	Connection	
47	615571014	1	Seal Ring	
48	602060612	1	Clamp	
49	836119296	1	Spacer	
50	615571014	2	Seal Ring	USA
51	836664212	2	Banjo Bolt	USA
52	836664543	1	Pipe	USA
53	836009683	1	Clamp	USA
54	835330966	1	Screw	USA
55	836119851	1	Left Connection	
56	836655232	1	Assy	Ref. 31 ao 35

700 TRACTOR (BR) - C070001  
00002076



## Sump

Item	Part Number	Qty	Description	Comments
1	836664336	1	Oil Sump	
2	836664515	1	Gasket	S2
3	HC9334	14	Bolt	[A] M10x16
	581804980	18	Bolt	M10x16
4	JD9065	14	Washer	[A] M10
	500951032	18	Washer	M10
5	581804580	4	Bolt	[A] M8x16
	581804580	18	Bolt	M8x16
6	500950800	18	Pressure Ring	M10
	500950800	4	Pressure Ring	[A] M10
7	615881827	1	Seal Ring	S2
8	836655493	1	Plug	M18
9	836014330	1	Measuring	
10	504861000	1	Nut	M10
11	836122910	1	Washer	
12	836652596	1	Gear	
13	836120195	1	Housing	
14	528801380	4	Bolt	
15	836652600	1	Gear	
16	836120191	1	Shaft	
17	836120193	1	Gear	
18	836119796	1	Gasket	S2
19	836119794	1	Cover	
20	581705050	2	Bolt	
21	836007871	1	Shim	
22	836008449	3	Gasket	S2
23	581804600	2	Bolt	
24	836664495	1	Suction Pipe	
25	836659624	1	Pressure Tube	Up to Serial or Engine Number EX8151
	836673154	1	Pressure Tube	From Serial or Engine Number EX8152
26	836666908	1	Measuring	TIER II
27	836652604	1	Built Oil Pump	[A] Ref.10-19/BS03/0
				Up to Serial or Engine Number EX8151
	836673147		Oil Pump	From Serial or Engine Number EX8152

FOOTNOTE [A] STARTING FROM THE TRACTORS 700 SERIES 0700DA00174

Thank you so much for reading.  
Please click the “Buy Now!”  
button below to download the  
complete manual.



After you pay.

You can download the most  
perfect and complete manual in  
the world immediately.

Our support email:

[ebooklibonline@outlook.com](mailto:ebooklibonline@outlook.com)