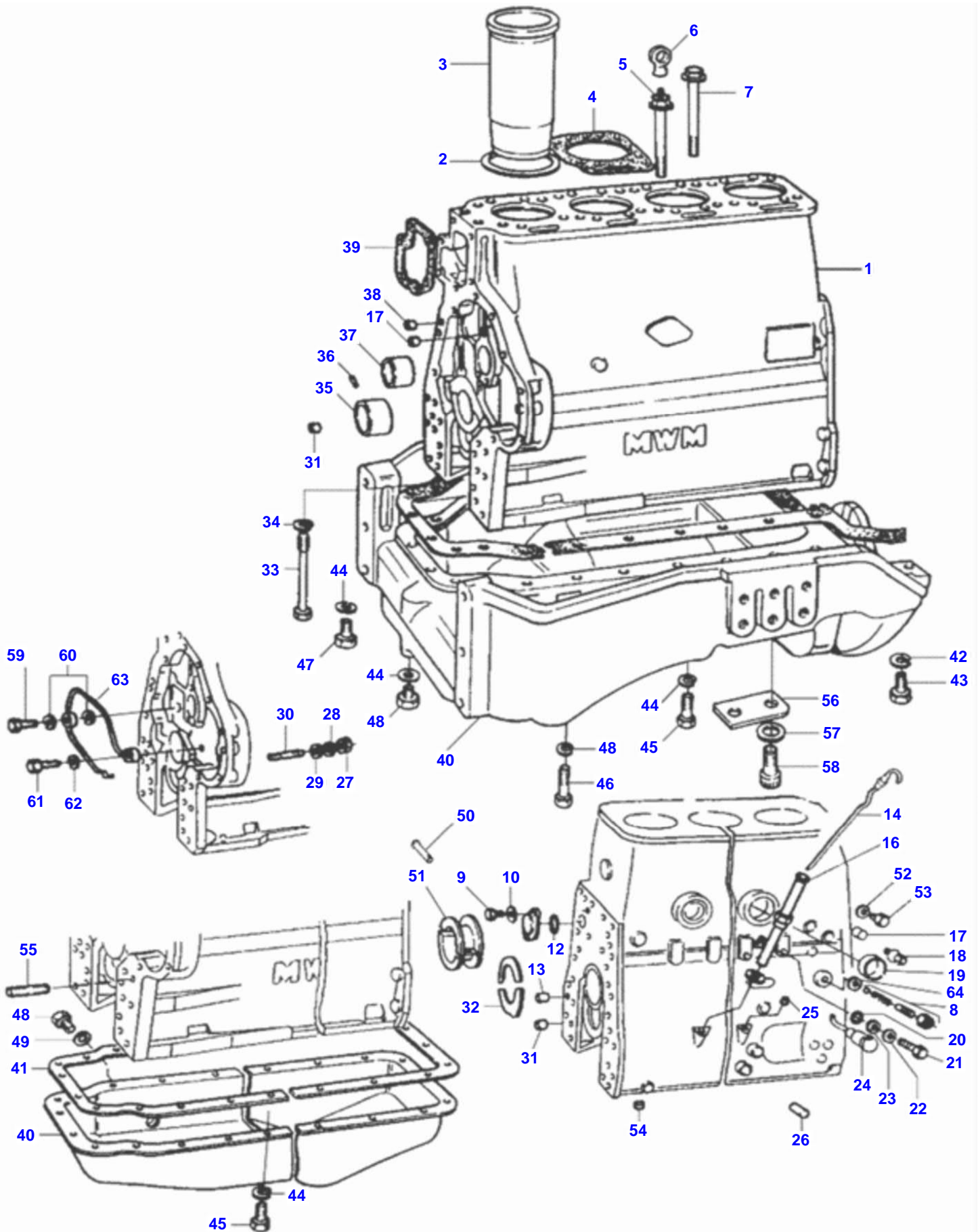


Page Title	Page Number
Cylinder Block - Mwm Engine	020-0010
Front Cover And Flywheel Housing	020-0015
Cylinder Head	020-0020
Valves Mechanism	020-0025
Crankshaft Mechanism	020-0030
Engine Balancer	020-0035
Piston And Rod	020-0040
Lubricant Oil Pump	020-0045
Inlet And Exhaust Manifold	020-0050
Muffler	020-0055
Turbocharger	020-0060
Air Filter	020-0065
Instalation Air Filter	020-0070
Sedimentation Filter	020-0075
Fuel Filter	020-0080
Fuel Feed Lines	020-0085
Lubricant Oil Filter	020-0090
Injection Pump, Feef Pump And Injection	020-0095
Throttle System	020-0100
Oil Pan Protector	020-0105
Radiator	020-0110
Water Pump And Fan	020-0115
Engine Gasket Kit	020-0120

985 TRACTOR (BR) - C098502  
0000647



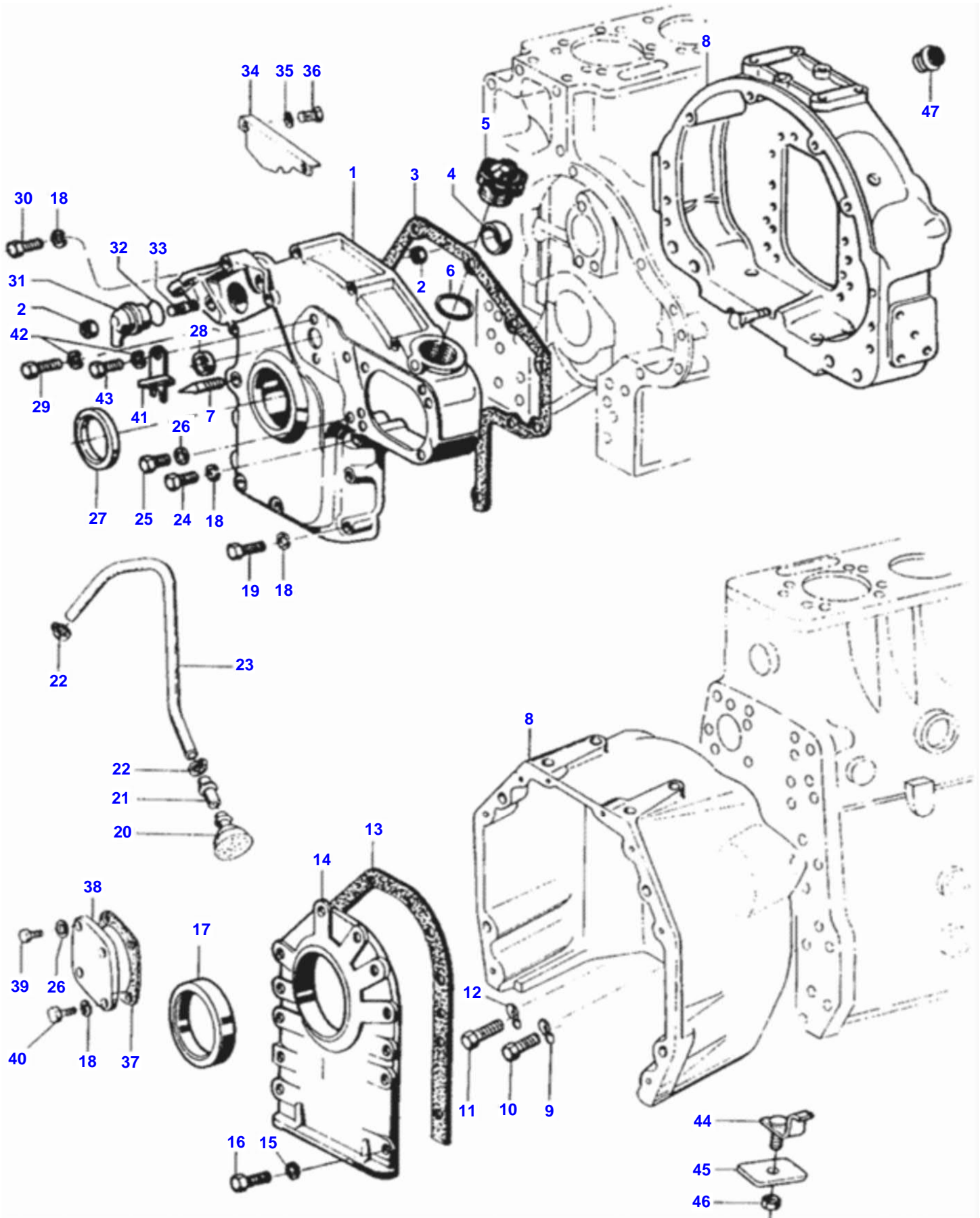
## Cylinder Block - Mwm Engine

Item	Part Number	Qty	Description	Comments
1	V80972200	1	Cylinder Block	
2	V149320	8	O-Ring	
3	V135860	4	Cylinder Liner	
4	V143810	4	Cylinder	
5	V111000	4	Cylinder	
6	V111140	2	Lift Ring	
7	V110990	12	Bolt	
8	V142410	1	Dust Valve	
9	V117190	2	Bolt M8X35Mm	
10	V143000	2	Spring Washer	
12	V117710	1	O-Ring	
13	V142740	2	Guide Pin	
14	V142300	1	Dipstick	
16	V82605700	1	Pipe	
17	V141340	8	Pad	
18	V135900	1	Reliet Valve	
19	V80962800	1	Cover	
20	V135930	4	O-Ring	
21	VHA6422	4	Bolt	
22	VJD3108	4	Washer	
23	V135910	4	Washer	
24	V135920	4	Oil Injector	
25	V141350	1	Seal Cover	
26	V132370	2	Pad	
27	VJB3110	4	Nut	
28	V116950	4	Tooth Washer	
29	V116940	4	Washer	
30	V116810	4	Dog	
31	V142730	4	Guide Pin	
32	V134940	2	Thrust Ring Std	
	V135950	2	Thrust	
33	V111040	10	Bolt	
34	V111020	10	Washer	
35	V135960	5	Big-End	
	V136000	5	4Th	
	V135990	5	3Rd	
	V135980	5	2Nd	
	V135970	5	1St	
36	V111030	5	Pressure Pin	
37	V110980	1	Bush	
38	V142360	3	Seal Pin	
39	V111120	1	Gasket	
40	V111400	1	Oil Sump	4x2
	V80188200	1	Oil Sump	4x4
41	V111410	1	Gasket Sump	4x2
	V146560	1	Gasket	4x4
42	V116330	4	Washer	4x4
43	V117800	4	Bolt	4x4
44	V143000	25	Spring Washer	
45	V147140	10	Bolt	4x4
	VHA6322	25	Screw	4x2
46	V116390	11	Bolt	4x4
47	V117190	4	Bolt M8X35Mm	4x4
48	V81288800	1	Sump Plug	
49	V81288900	1	Seal Washer	
50	V111030	5	Pressure Pin	
52	V116310	1	Collet	
53	V148730	1	Plug 3/8-18 Npsf	
54	V142370	2	Pad	
55	V111360	6	Dog	
56	V80411000	2	Shim	
57	VJD3110	4	Pressure Washer	
58	VHC9336	4	Screw	
59	V80962900	1	Banjo Bolt	
60	V132600	2	Seal Washer	
61	V117640	1	Bolt	
62	V141710	2	Seal Washer	
63	V82601700	1	Lubricant Tube	

Cylinder Block - Mwm Engine

Item	Part Number	Qty	Description	Comments
64	V121530	1	Seal Washer	

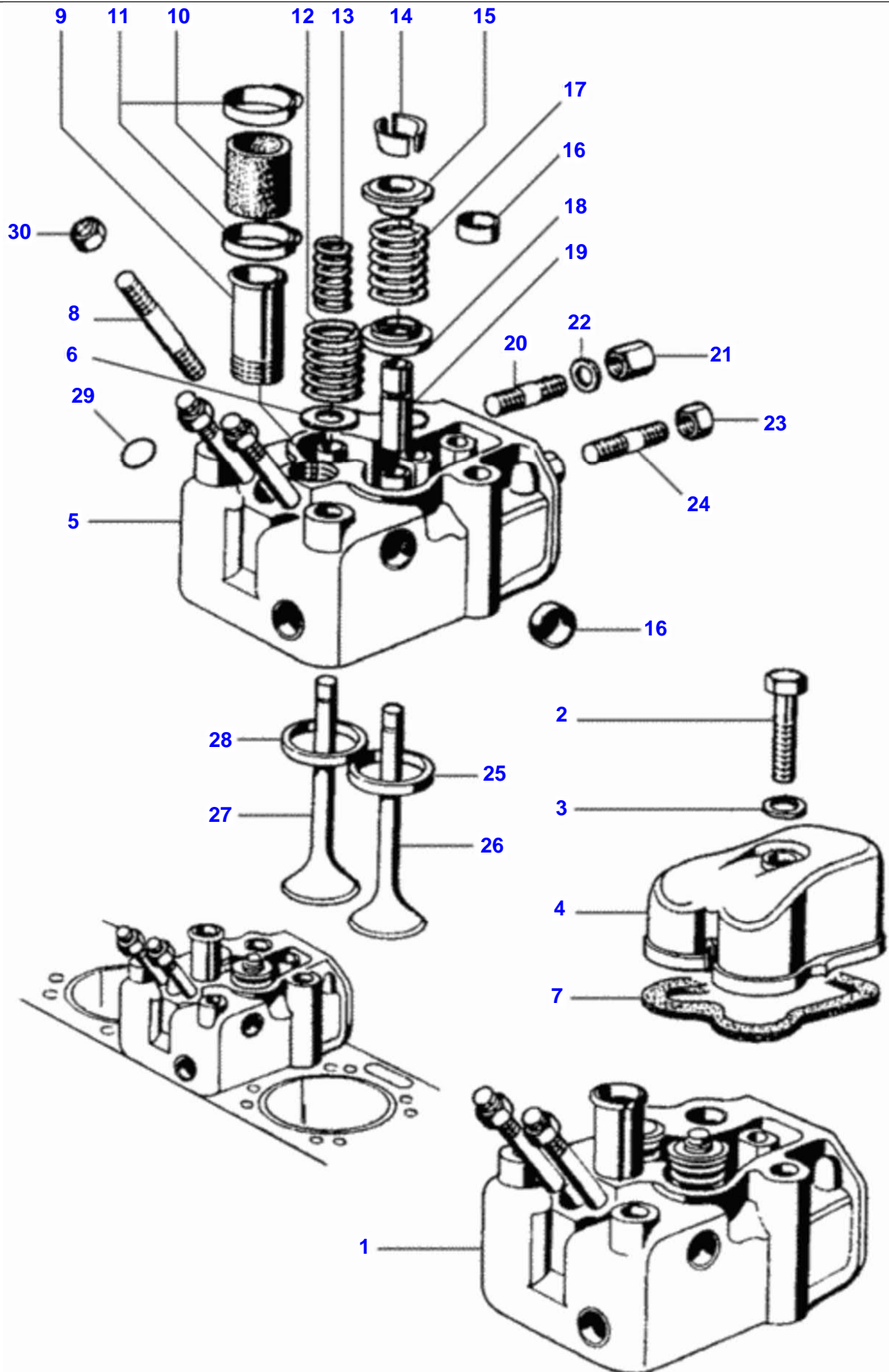
985 TRACTOR (BR) - C098502  
0000648



## Front Cover And Flywheel Housing

Item	Part Number	Qty	Description	Comments
1	V133800	1	Front Cover	
2	V111630	2	Nut	
3	V111640	1	Gasket	
4	V111600	1	Protector Plate	
5	V116990	1	Filler Cap	
6	V117000	1	O-Ring	
7	V80962300	1	T.D.C. Indicator	
8	V147380	1	Flywheel Housing	4x2
	V146590	1	Flywheel Housing	4x4
9	V117030	12	Washer	
10	V118470	12	Bolt	
11	V117800	6	Bolt	
12	V117050	6	Spring Washer	
13	V111530	1	Gasket	
14	V111510	1	Rear Cover	
15	V116890	10	Washer	
16	V111540	10	Bolt	
17	V111520	1	Seal	
18	VJD3108	13	Washer	
19	V117090	4	Bolt	
20	V136020	1	Breather Filter	
21	V146600	1	Bracket	
22	VGP3918	2	Clamp	
23	V146610	1	Hose	
24	V111660	3	Bolt	
25	V111500	1	Bolt	
26	V141710	3	Seal Washer	
27	V111560	1	Seal	
28	V110970	1	Seal Cover	
29	V117100	1	Bolt	
30	V117120	5	Bolt	
31	V147390	1	Breather Cover	
32	V111340	1	O-Ring	
33	V111590	1	Dog	
34	V136010	1	Baffle Plate	
35	V117480	2	Spring Washer	
36	V125240	1	Bolt	
37	V147450	1	Gasket	
38	V117490	1	Cover	
39	V111540	2	Bolt	
40	V147200	2	Bolt	
41	V80972300	1	T.D.C. Indicator	
42	V116890	2	Washer	
43	V117760	2	Bolt	
44	V234510	1	Assy Support	4x2
45	V245000	1	Cover	4x2
46	VJB1106	1	Washer	4x2
47	V80189100	1	Protection Cover	4x2

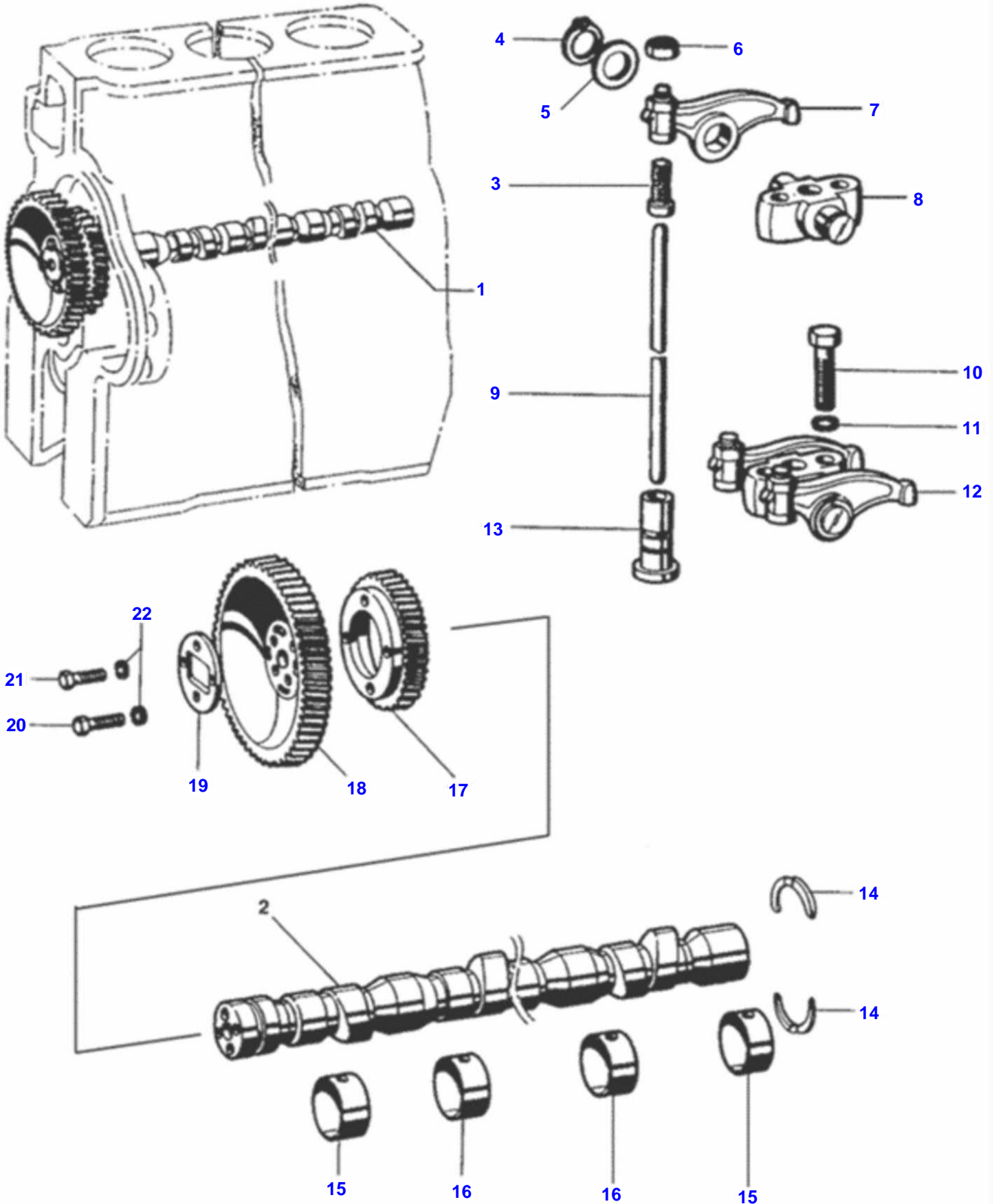
985 TRACTOR (BR) - C098502  
00000649



## Cylinder Head

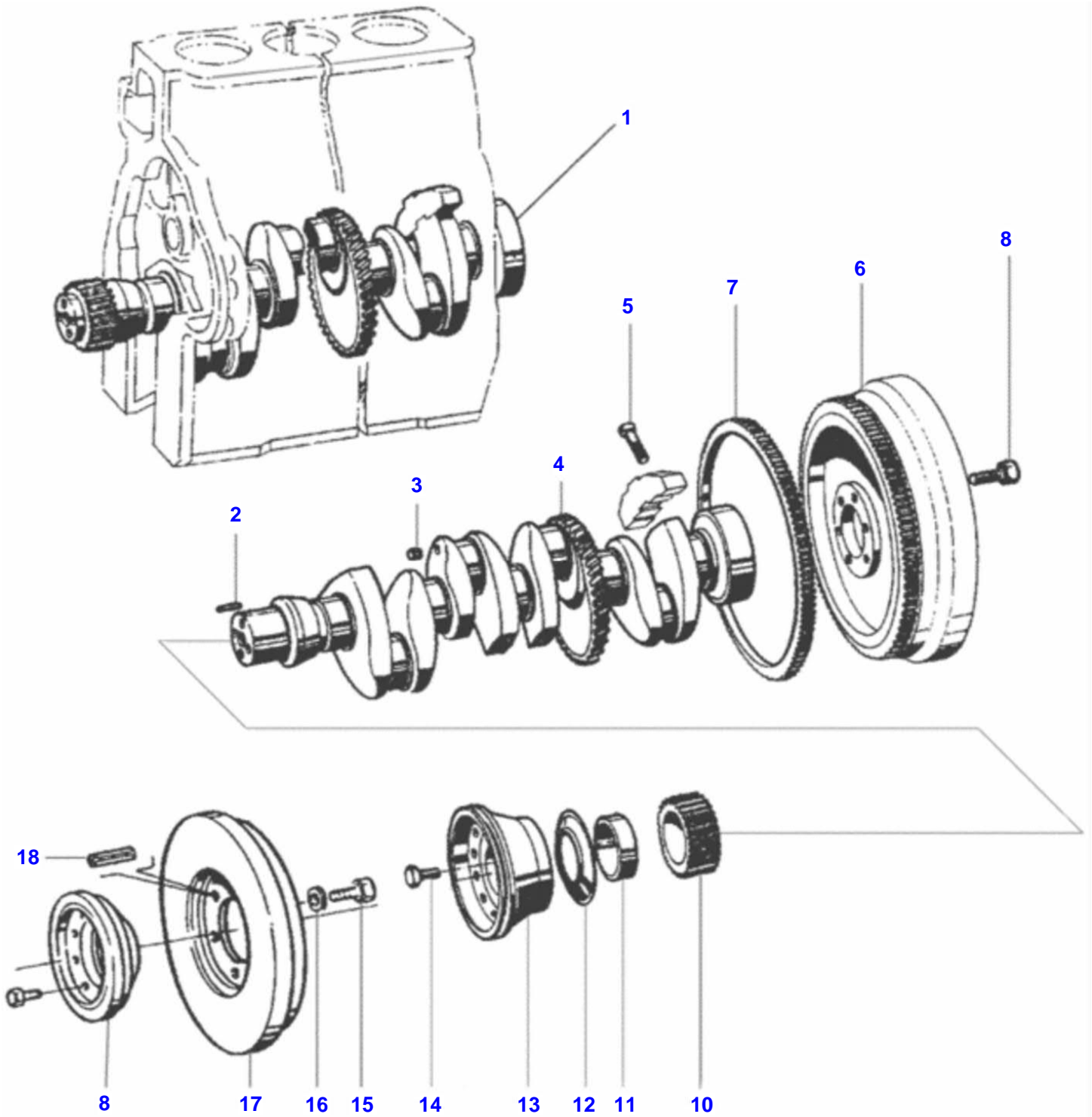
Item	Part Number	Qty	Description
1	V149260	1	Cylinder
2	V121390	4	Bolt
3	V112630	4	Seal Washer
4	V149330	4	Valve Cover
5	V149210	4	Head
6	V136320	4	Lower Disc
7	V149340	4	Gasket
8	V142270	8	Dog
9	V112550	4	Pipe
10	V112570	4	Hose
11	V112560	8	Clamp
12	V136330	4	Outer Spring
13	V136340	4	Inner Spring
14	V116030	16	Valve Cotter
15	V112450	8	Upper Disc
16	V112480	20	Seal Cover
17	V116020	4	Valve Spring
18	V136350	8	Rotor
19	V112580	8	Valve
	V112490	8	Valve Guide
20	V148740	8	Dog
21	V136370	8	Nut
22	V116080	8	Washer
23	V133670	8	Nut
24	V119220	8	Dog
25	V80963400	4	Intake
26	V136400	4	Intake Valve
27	V136411	4	Exhaust Vale
28	V80963500	4	Exhaust





## Valves Mechanism

Item	Part Number	Qty	Description
1	V80962100	1	Valve
2	V80963300	1	Valve
3	V112170	8	Adjusting Screw
4	V112190	8	Circlip
5	V112180	8	Rocker
6	VJB1108	8	Nut
7	V149370	8	Assy Rocker Arm
8	V149350	4	Rocker
9	V112201	8	Push Rod
10	V117150	8	Bolt
11	VJD3110	8	Pressure Washer
12	V149360	4	Complete
13	V112210	8	Rocker
14	V115950	1	Setting Ring
15	V112120	2	Bushing
16	V112130	2	Bushing
17	V112000	1	Gear
18	V111990	1	Gear
19	V112020	1	Lock
20	V117190	4	Bolt M8X35Mm
21	V117180	4	Bolt
22	VJD3108	8	Washer

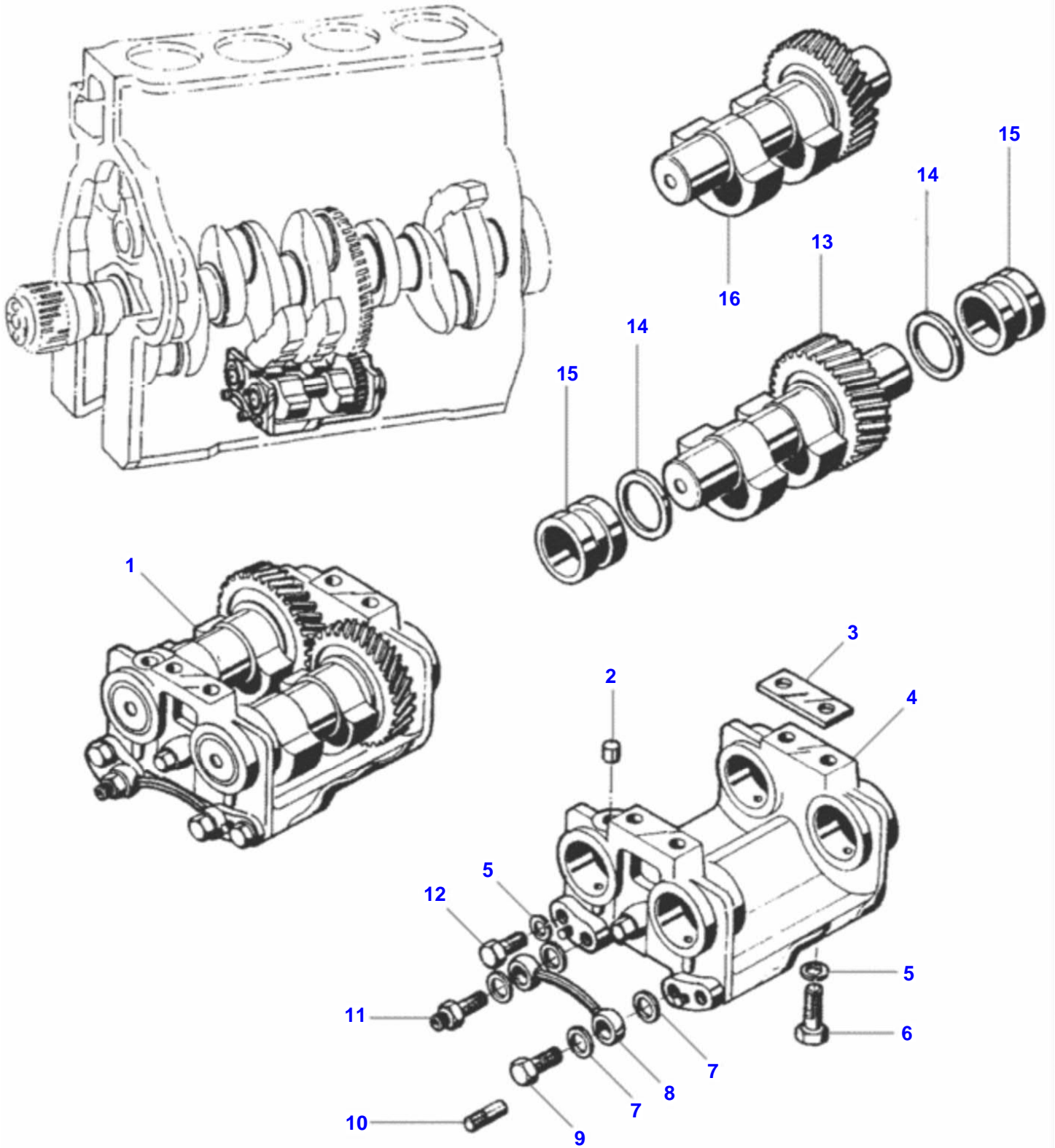


## Crankshaft Mechanism

Item	Part Number	Qty	Description	Comments
1	V147230	1	Crankshaft	
2	V118680	1	Key	
3	V142390	4	Pad	
4	V118690	1	Starter Ring	
5	V111920	8	Bolt	
6	V149870	1	Flywheel	[A] 4x2 - ES
	V149880	1	Flywheel	[B] 4x2 - EI
	V80374700	1	Flywheel	4x4
7	V147300	1	Starter Ring	
8	V147160	6	Bolt	
9	V136170	1	Pulley	4x4
10	V136130	1	Gear	
11	V136140	1	Pulley Bushing	
12	V136150	1	Dust Deflector	
13	V146630	1	Pulley	
14	V136180	4	Bolt	
15	V80972400	6	Bolt	4x4
16	VJD3110	6	Pressure Washer	4x4
17	V80972500	1	Vibration Damper	4x4
18	V118680	1	Key	

FOOTNOTE [A] SINGLE CLUTCH

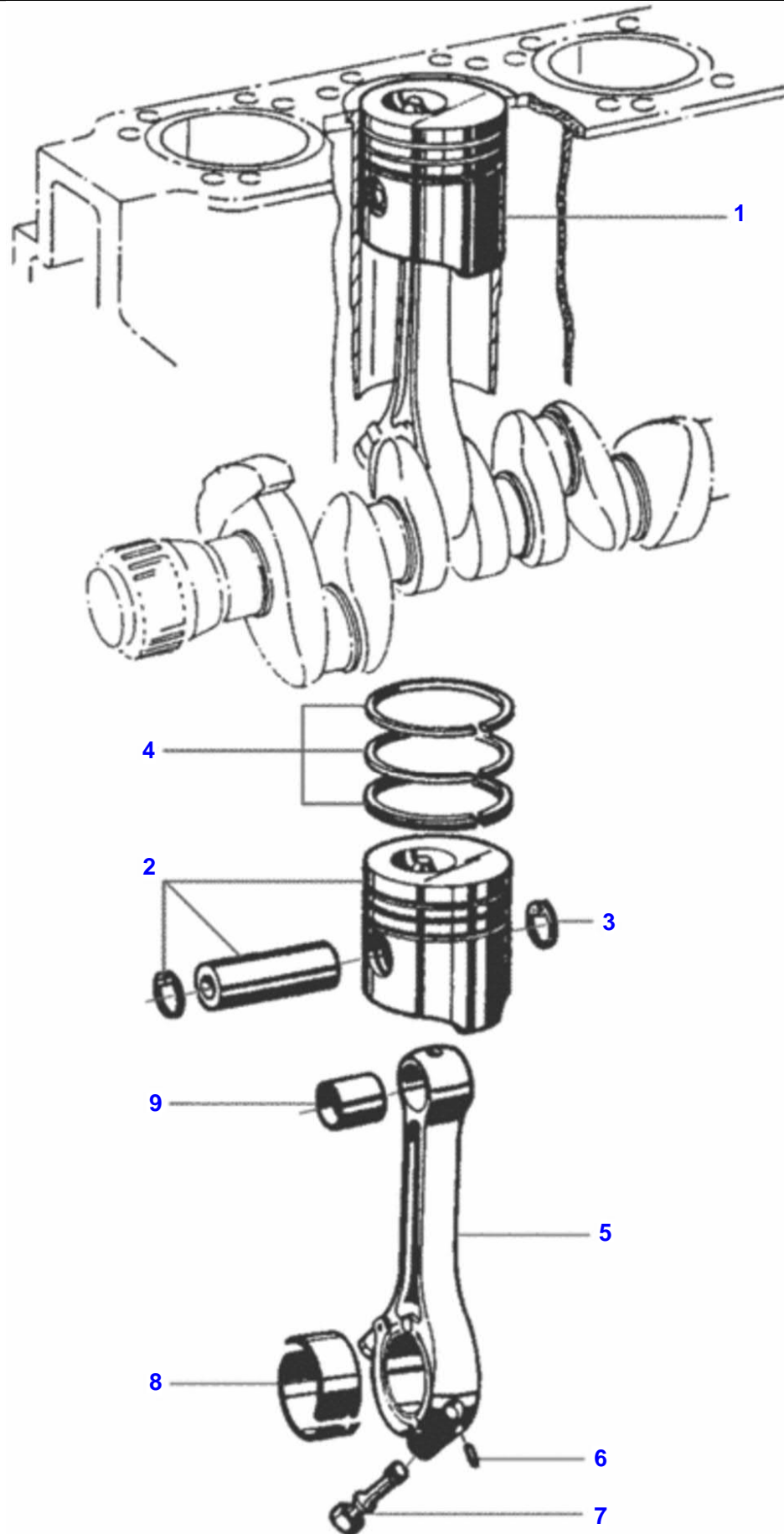
FOOTNOTE [B] DOUBLE CLUTCH



## Engine Balancer

Item	Part Number	Qty	Description	Comments
1	V118490	1	Engine Balancer	
2	V142380	4	Pad	
3	V118510	1	Shim	[A]
4	V118520	1	Housing	
5	VJD3110	7	Pressure Washer	
6	V118530	4	Bolt	
7	V118550	4	Seal Washer	
8	V118560	1	Lubricant	
9	V118570	1	Bolt	
10	V118580	2	Taper Pin	
11	V118590	1	Niple	
12	V118600	3	Bolt	
13	V118610	1	Balancer	
14	V118640	1	Thrust	[A]
	V118630	1	Thrust	[A]
	V118620	1	Thrust	[A]
15	V118650	4	Bearing Bushing	
16	V118660	1	Shaft	

FOOTNOTE [A] ACCORDING TO NECESSITY



Thank you so much for reading.  
Please click the “Buy Now!”  
button below to download the  
complete manual.



After you pay.

You can download the most  
perfect and complete manual in  
the world immediately.

Our support email:

[ebooklibonline@outlook.com](mailto:ebooklibonline@outlook.com)