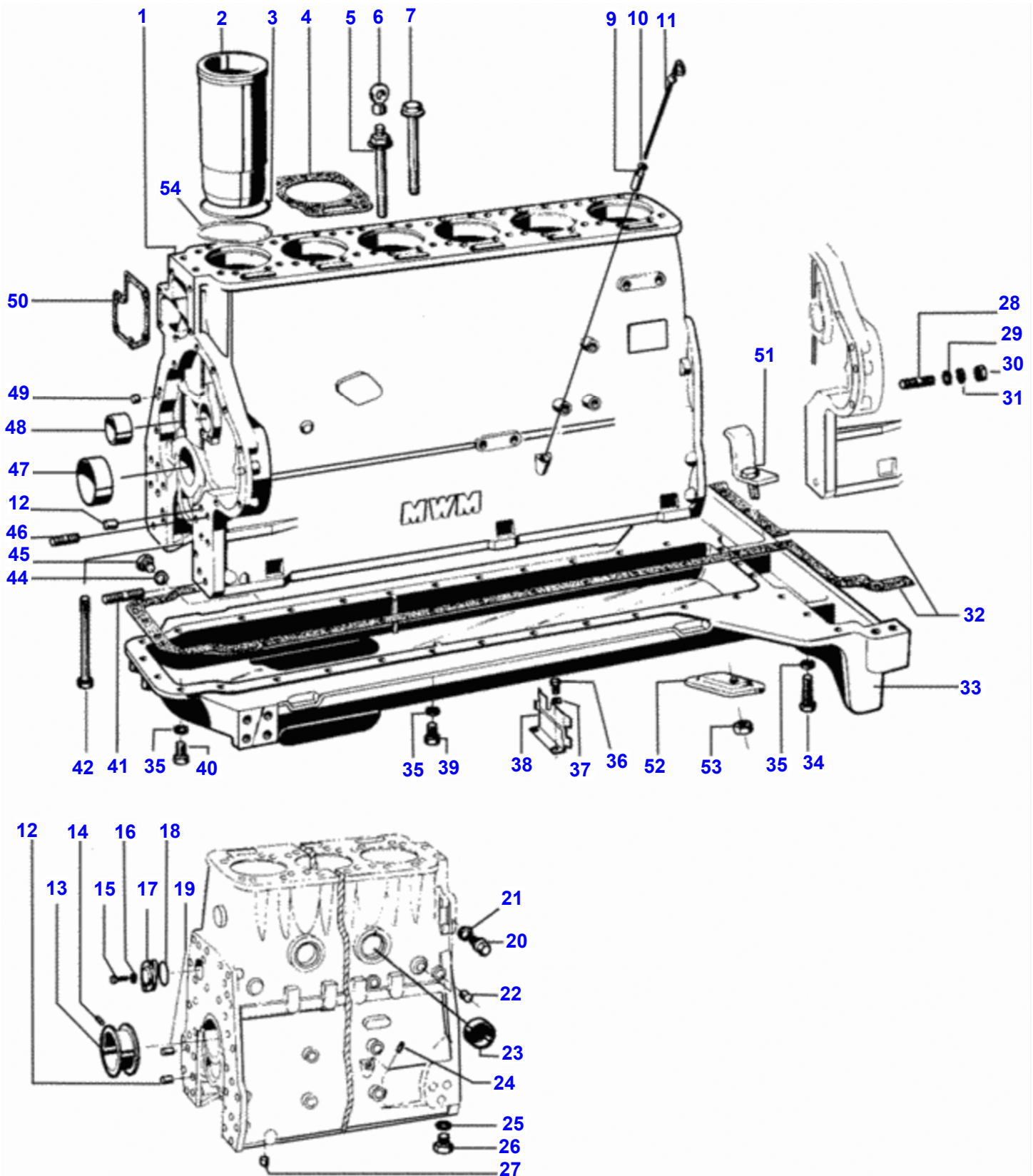


Page Title	Page Number
Cylinder Block	020-0010
Front Cover And Flywheel Housing	020-0015
Cylinder Head	020-0020
Valve Mechanism	020-0025
Crankshaft Mechanism	020-0030
Piston And Rod	020-0035
Oil Pump	020-0040
Inlet And Exhaust Manifold	020-0045
Muffler	020-0050
Air Filter	020-0055
Instalation Air Filter	020-0060
Sedimentation Filter	020-0065
Fuel Filter	020-0070
Fuel Pipes System	020-0075
Throttle System	020-0080
Injection Pump	020-0085
Feed Pump	020-0090
Injector	020-0095
Fuel Pipes System	020-0100
Injection Pump (Delphi)	020-0105
Feed Pump And Fuel Filter (Delphi)	020-0110
Lubrificant Oil Filter	020-0115
Radiator	020-0120
Water Pump	020-0125
Gasket Kit	020-0130
Engine Repair Kit	020-0135

1280R GII TRACTOR (BR) - C128004
00000690

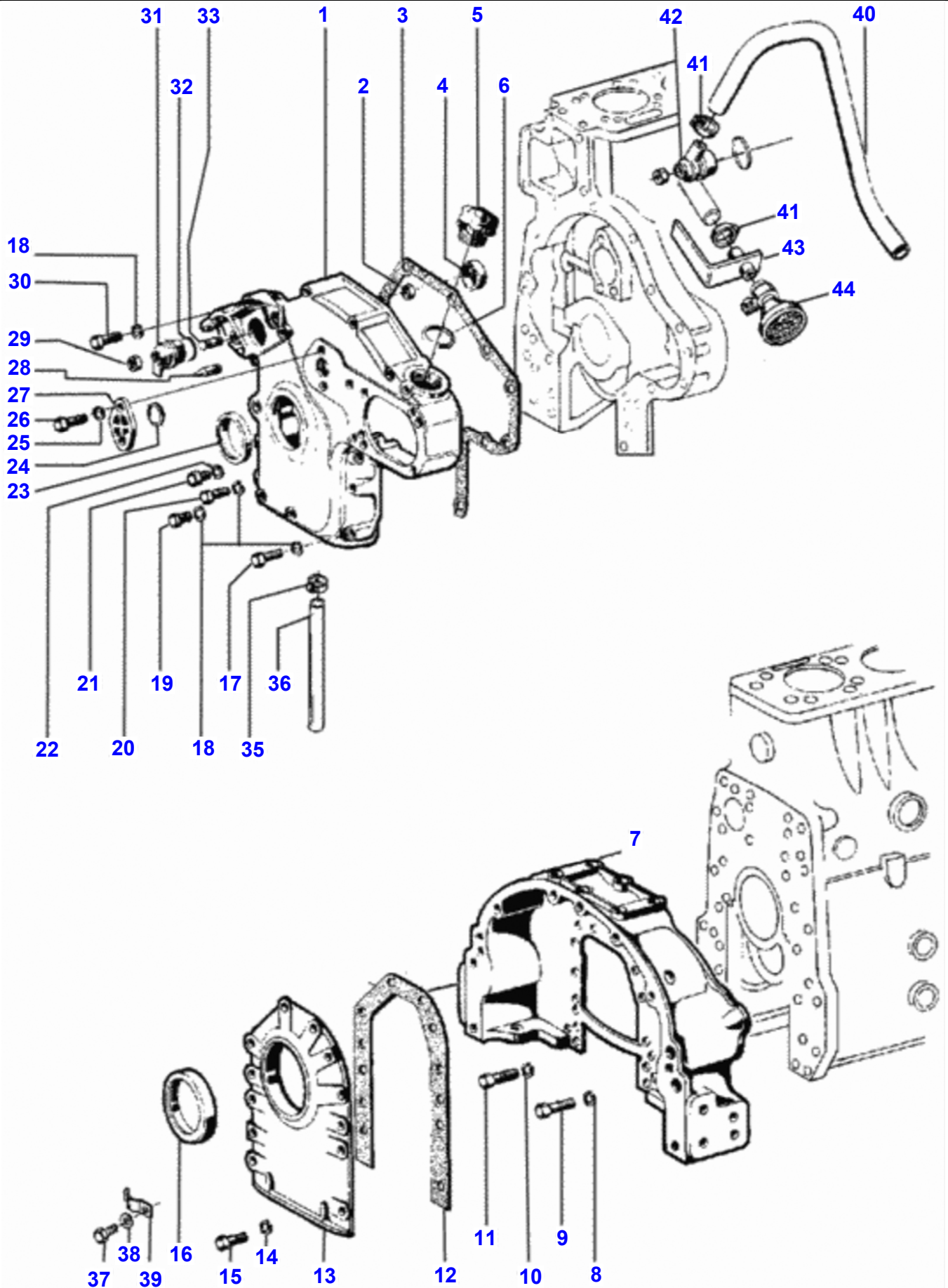


Cylinder Block

Item	Part Number	Qty	Description	Comments
1	V81299700	1	Cylinder Block	1280R
	V81217200	1	Cylinder Block	1280
2	V116840	6	Cylinder Liner	
3	V149320	12	O-Ring	
4	V149300	6	Cylinder	
5	V111000	2	Cylinder	
6	V111140	2	Lift Ring	
7	V110990	22	Bolt	
9	V135890	1	Pipe	
10	V111210	1	O-Ring	
11	V135870	1	Dipstick	
12	V142730	4	Guide Pin	
13	V81284700	1	Big-End	
	V81298000	1	1St	
	V81298100	1	2Nd	
	V81298200	1	3Rd	
	V81298300	1	4Th	
14	V111030	7	Pressure Pin	
15	V117190	2	Bolt M8X35Mm	
16	V116890	2	Washer	
17	V146530	1	Seal Cover	
18	V117710	1	O-Ring	
19	V142740	2	Guide Pin	
20	V148730	1	Plug 3/8-18 Npsf	
21	V116310	1	Collet	
22	V141340	9	Pad	
23	V111450	5	Seal Cover	
24	V141350	1	Seal Cover	
25	V117730	1	Seal Washer	
26	V112700	1	Bolt	
27	V142370	2	Pad	
28	V116930	4	Dog	
29	V116940	4	Washer	
30	VJB1110	4	Nut	
31	V116950	4	Tooth Washer	
32	V115710	1	Gasket Sump	
33	V117740	1	Sump	
34	V120700	3	Bolt	
35	VJD3108	39	Washer	
36	V117760	2	Bolt	
37	VJD3108	2	Washer	
38	V115660	1	Balance Plate	
39	V117100	30	Bolt	
40	V117770	6	Bolt	
41	V111360	2	Dog	
42	V110990	14	Bolt	
44	V81288900	1	Seal Washer	
45	V81288800	1	Sump Plug	
46	V115720	4	Dog	
47	V111220	6	Big-End	
	V111230	6	Slider Bearing	
	V111240	6	Slider Bearing	
	V111250	6	Slider Bearing	
	V111260	6	Slider Bearing	
48	V110980	1	Bush	
49	V142360	3	Seal Pin	
50	V111120	1	Gasket	
51	V195810	1	Bracket	
52	V229600	1	Cover	
53	VJB1106	1	Washer	
54	V143960	1	Shim 0.20 Mm	[A]
	V143930	1	Shim 0.05Mm	[A]
	V143940	1	Shim 0.10 Mm	[A]
	V143950	1	Shim 0.15 Mm	[A]
999	V141100	1	Dipstick Kit	Ref. 9 e 10

FOOTNOTE [A] ACCORDING TO NECESSITY

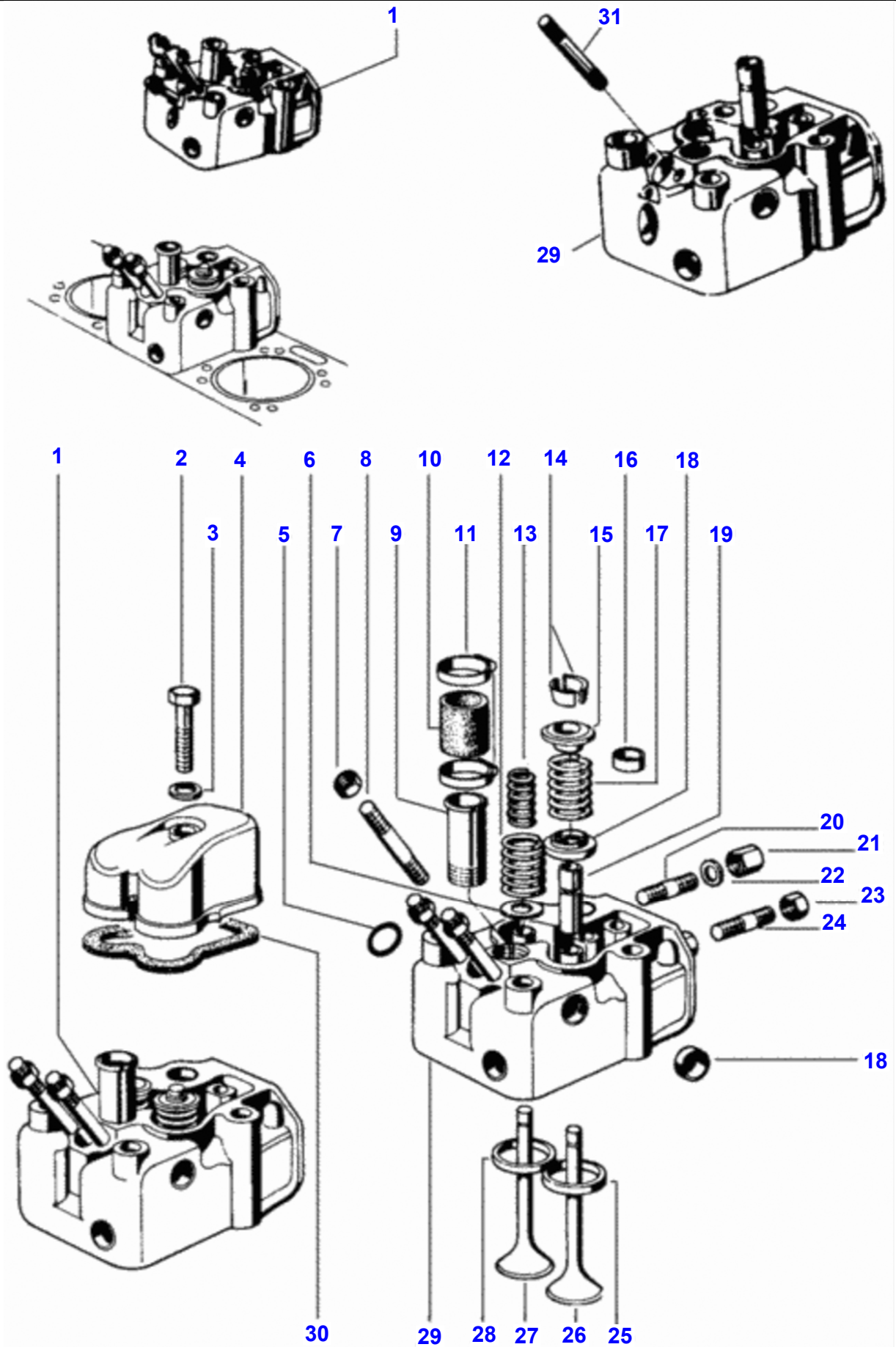
1280R GII TRACTOR (BR) - C128004
00000692



Front Cover And Flywheel Housing

Item	Part Number	Qty	Description
1	V115750	1	Front Cover
2	V111630	1	Nut
3	V111640	1	Gasket
4	V111600	1	Protector Plate
5	V116990	1	Filler Cap
6	V127740	1	Rubber Ring
7	V148750	1	Flywheel Housing
8	V117030	12	Washer
9	V118470	12	Bolt
10	V117050	6	Spring Washer
11	V149150	6	Bolt
12	V111530	1	Gasket
13	V111510	1	Rear Cover
14	V116890	10	Washer
15	V117190	10	Bolt M8X35Mm
16	V111520	1	Seal
17	V117090	4	Bolt
18	VJD3108	13	Washer
19	V117100	1	Bolt
20	V111660	3	Bolt
21	V111500	1	Bolt
22	V141710	1	Seal Washer
23	V111560	1	Seal
24	V117810	1	Rubber Ring
25	V116890	2	Washer
26	VHA6323	2	Screw
27	V115840	1	Seal Cover
28	V117820	1	Timing Indicator
29	V111630	1	Nut
30	V117120	5	Bolt
31	V111570	1	Breather Cover
32	V111340	1	O-Ring
33	V111590	1	Dog
35	VGP3918	1	Clamp
36	V115770	1	Hose
37	VHA6322	1	Screw
38	VJD0408	1	Washer
39	V224510	1	Clamp
40	V136070	1	Hose
41	VGP3918	2	Clamp
42	V136050	1	Breather Cover
43	V136040	1	Bracket
44	V136020	1	Breather Filter

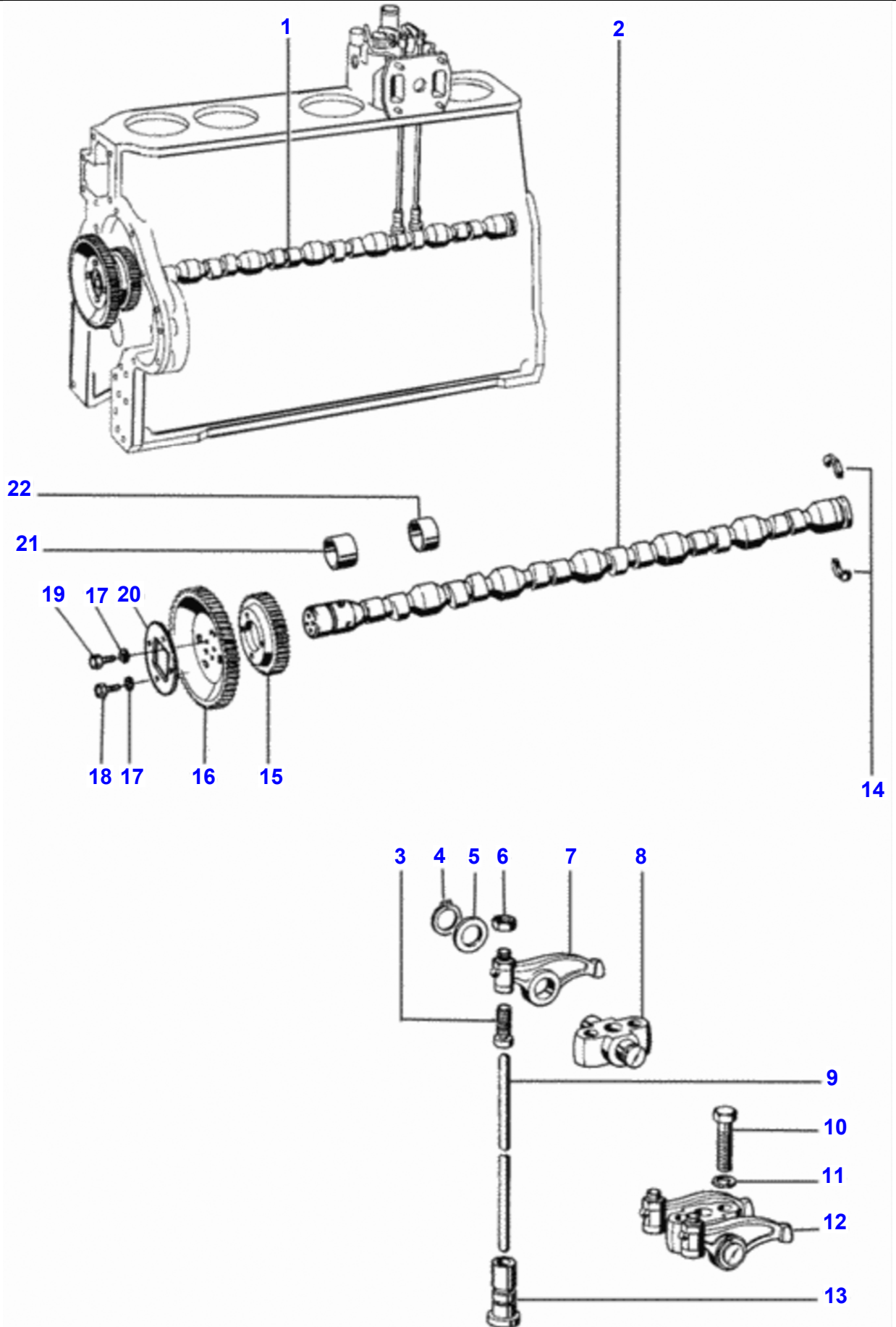
1280R GII TRACTOR (BR) - C128004
00000694



Cylinder Head

Item	Part Number	Qty	Description
1	V81173100	6	Complete
2	V121390	6	Bolt
3	V112620	6	Seal Washer
4	V149330	6	Valve Cover
5	V117300	6	O-Ring
6	V136320	6	Lower Disc
7	VJB1108	12	Nut
8	V142270	12	Dog
9	V112550	6	Pipe
10	V112570	6	Hose
11	VGP3918	12	Clamp
12	V136330	6	Outer Spring
13	V136340	6	Inner Spring
14	V116030	24	Valve Cotter
15	V112450	12	Upper Disc
16	V146330	30	Seal Cover
17	V116020	12	Valve Spring
18	V81348000	6	Specil
19	V81291200	12	Valve
	V117330	12	Valve Guide Std
20	V117350	12	Dog
21	V112540	12	Nut
22	V116080	12	Washer
23	V133670	12	Nut
24	V119220	12	Dog
25	V117360	6	Intake
26	V112430	6	Intake Valve
27	V112420	6	Exhaust Vale
28	V112510	6	Exhaust
29	V148940	6	Cylinder
30	V149340	6	Gasket
31	V140090	12	Dog

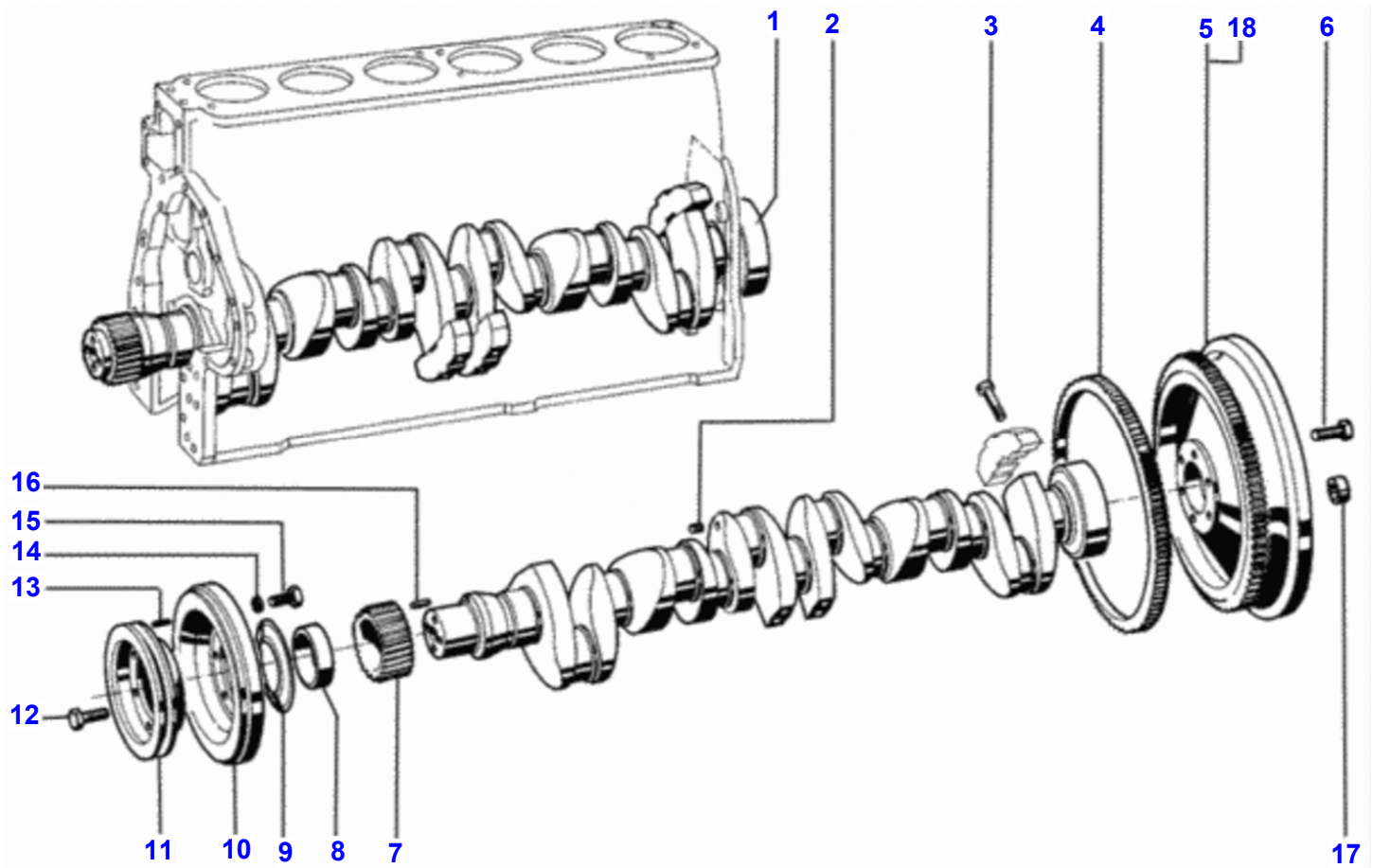
1280R GII TRACTOR (BR) - C128004
0000695



Valve Mechanism

Item	Part Number	Qty	Description	Comments
1	V80971500	1	Complete	
2	V81277000	1	Valve	1280R
	V80971600	1	Valve	1280
3	V112170	12	Adjusting Screw	
4	V112190	12	Circlip	
5	V112180	12	Rocker	
6	VJB1108	12	Nut	
7	V149370	12	Assy Rocker Arm	
8	V149350	6	Rocker	
9	V112201	12	Push Rod	
10	V117150	12	Bolt	
11	VJD3110	12	Pressure Washer	
12	V149360	6	Complete	
13	V112210	12	Rocker	
14	V115950	1	Setting Ring	
15	V112000	1	Gear	
16	V111990	1	Gear	
17	VJD3108	8	Washer	
18	V117190	4	Bolt M8X35Mm	
19	V80974600	4	Bolt	
20	V112020	1	Lock	
21	V112120	2	Bushing	
22	V112130	5	Bushing	

1280R GII TRACTOR (BR) - C128004
0000696

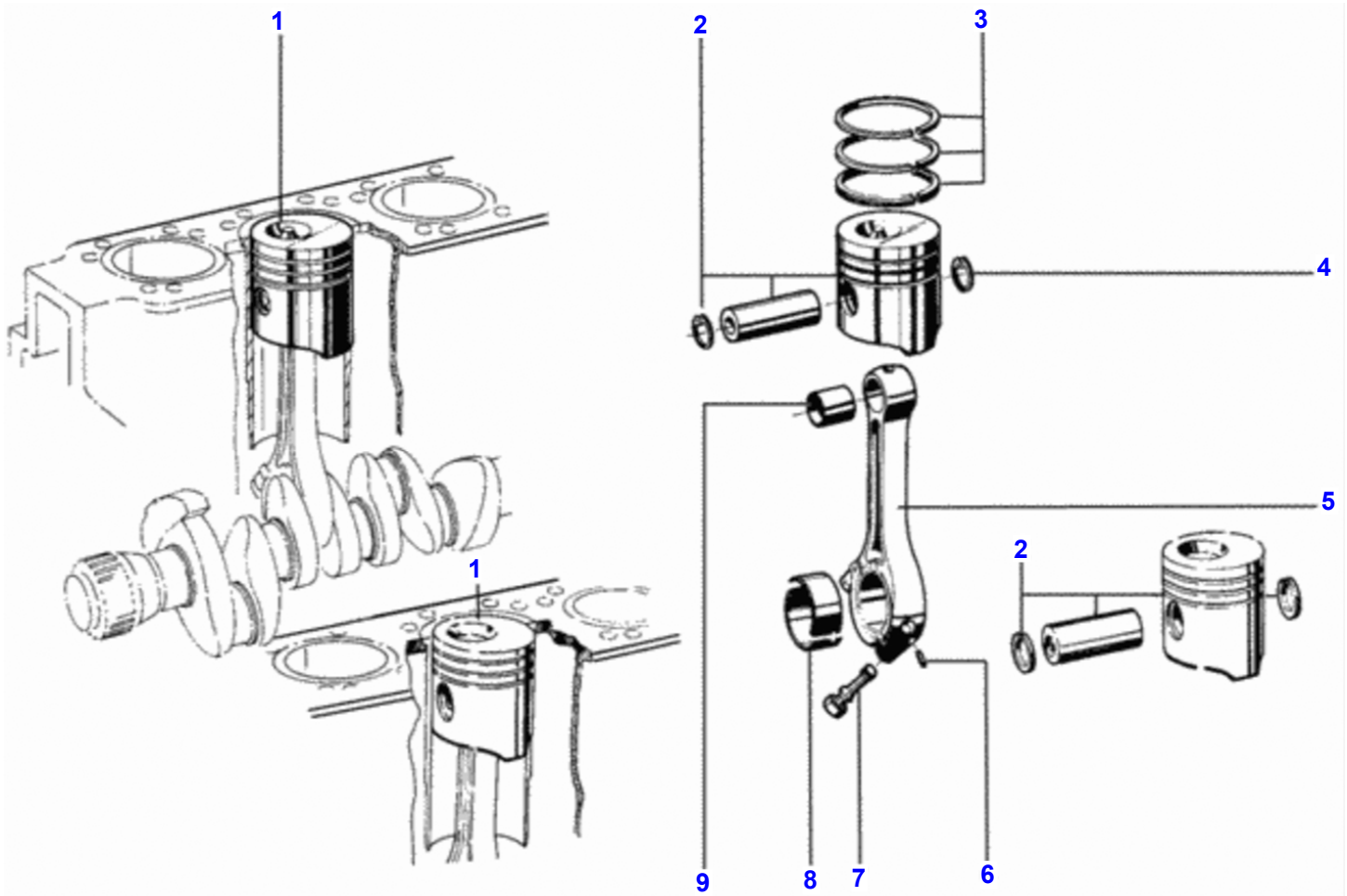


Crankshaft Mechanism

Item	Part Number	Qty	Description	Comments
1	V81364300	1	Complete	
2	V142390	6	Pad	
3	V111920	8	Bolt	
4	V222340	1	Flywheel	
5	V81205100	1	Flywheel	
6	V111880	6	Bolt	
7	V111800	1	Gear	
8	V137580	1	Bush	
9	V111890	1	Dust Deflector	
10	V81290700	1	Vibration Damper	
11	V146050	1	Pulley	
12	V111880	4	Bolt	
13	V142780	1	Key	
14	VJD3110	6	Pressure Washer	
15	VHA9089	6	Screw	
16	V118680	1	Key	
17	V111900	1	Spacer Bushing	
18	V81205000	1	Flywheel	[A]

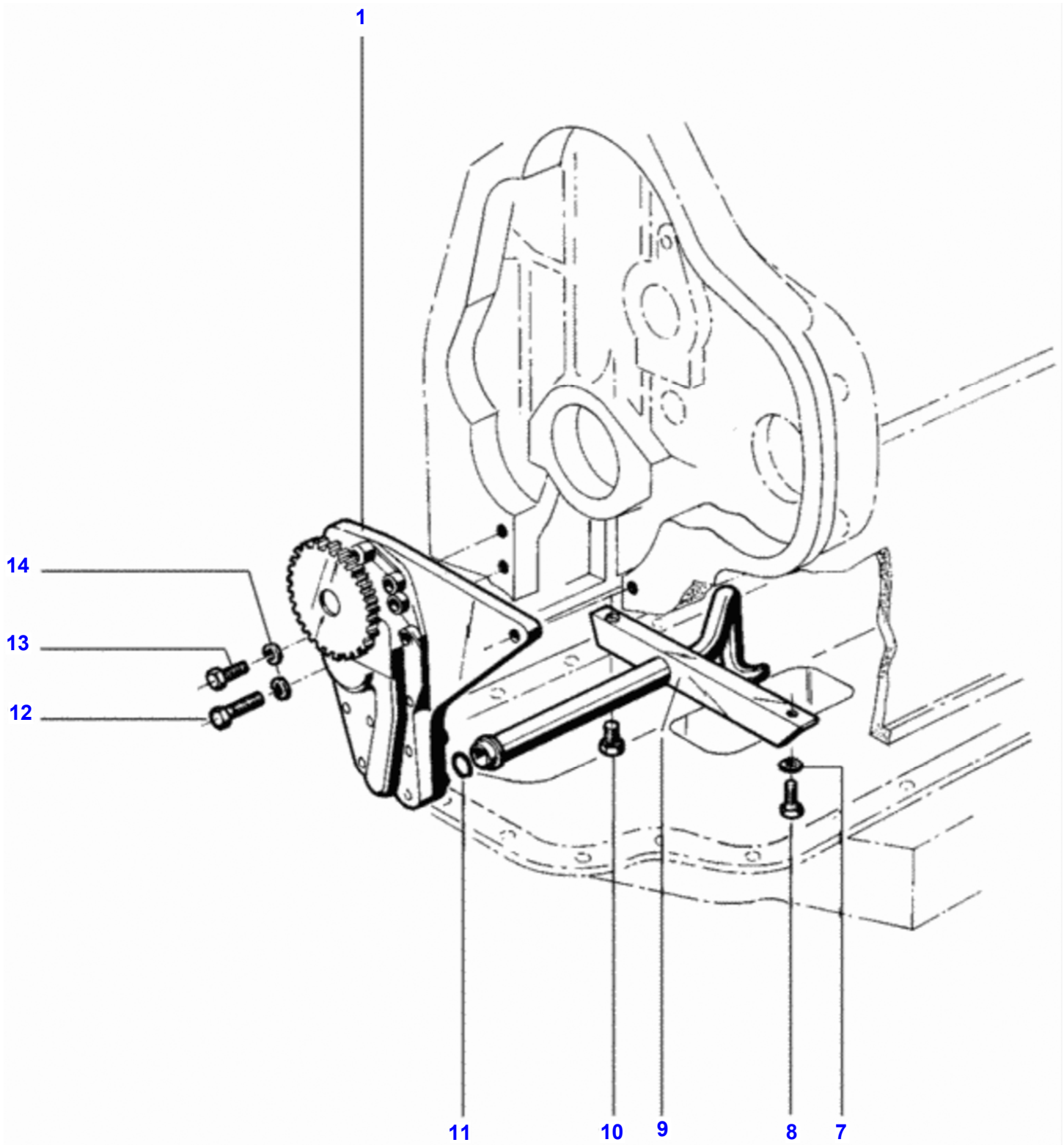
FOOTNOTE [A] FOR DOUBLE CLUTCH

1280R GII TRACTOR (BR) - C128004
0000698



Piston And Rod

Item	Part Number	Qty	Description	Comments
1	V81140300	6	Complete Piston	Ref. 2,3,4
2	V149390	6	Piston	
3	V145370	6	Piston Ring Set	
4	V136230	12	Circlip	
5	V112270	6	Connecting Rod	
6	V116000	6	Pressure Pin	
7	V112300	12	Bolt	
8	V112310	6	Big-End	
	V112350	6	Slider Bearing	
	V112340	6	Slider Bearing	
	V112330	6	Slider Bearing	
	V112320	6	Big-End	
9	V112280	6	Bush	



Oil Pump

Item	Part Number	Qty	Description
1	V81364500	1	Complete
7	V117170	1	Tooth Washer
8	VHA6323	1	Screw
9	V117920	1	Suction Pipe
10	V112700	1	Bolt
11	V116100	1	O-Ring
12	V117100	1	Bolt
13	V117190	2	Bolt M8X35Mm
14	V116890	3	Washer

Thank you so much for reading.
Please click the “Buy Now!”
button below to download the
complete manual.



After you pay.

You can download the most
perfect and complete manual in
the world immediately.

Our support email:

ebooklibonline@outlook.com