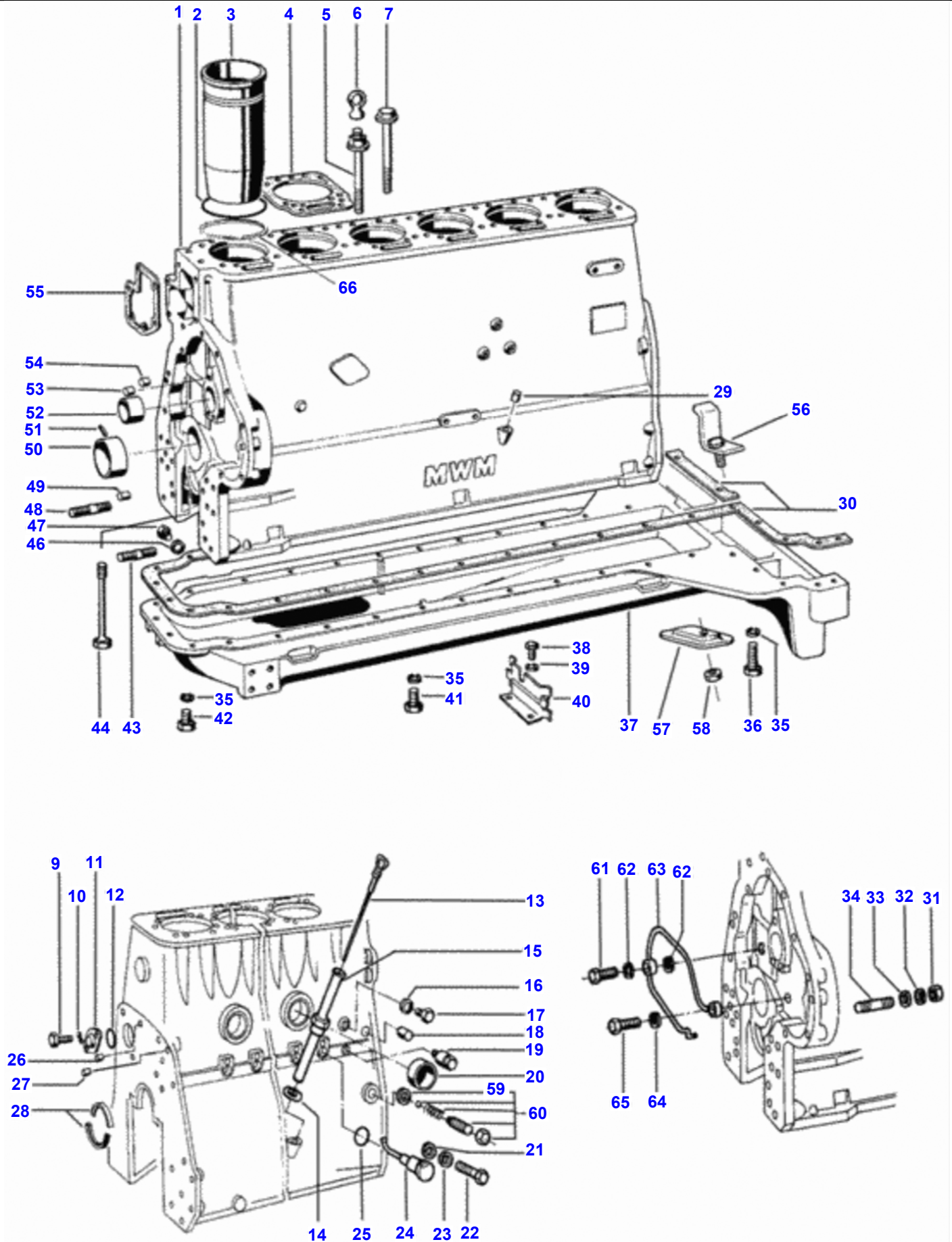


| Page Title                       | Page Number |
|----------------------------------|-------------|
| Cylinder Block                   | 020-0010    |
| Front Cover And Flywheel Housing | 020-0015    |
| Cylinder Head                    | 020-0020    |
| Valve Mechanism                  | 020-0025    |
| Crankshaft Mechanism             | 020-0030    |
| Piston And Rod                   | 020-0035    |
| Oil Pump                         | 020-0040    |
| Inlet And Exhaust Manifold       | 020-0045    |
| Exhaust Bend                     | 020-0050    |
| Muffler                          | 020-0055    |
| Turbocharger                     | 020-0060    |
| Air Filter                       | 020-0065    |
| Instalation Air Filter           | 020-0070    |
| Sedimentation Filter             | 020-0075    |
| Fuel Filter                      | 020-0080    |
| Fuel Pipes System                | 020-0085    |
| Injection Pump                   | 020-0090    |
| Feed Pump                        | 020-0095    |
| Injector                         | 020-0100    |
| Lubrificant Oil Filter           | 020-0105    |
| Throttle System                  | 020-0110    |
| Throttle System                  | 020-0115    |
| Radiator                         | 020-0120    |
| Water Pump                       | 020-0125    |
| Gasket Kit                       | 020-0130    |
| Engine Repair Kit                | 020-0135    |

| Page Title                       | Page Number |
|----------------------------------|-------------|
| Cylinder Block                   | 020-0010    |
| Front Cover And Flywheel Housing | 020-0015    |
| Cylinder Head                    | 020-0020    |
| Valve Mechanism                  | 020-0025    |
| Crankshaft Mechanism             | 020-0030    |
| Piston And Rod                   | 020-0035    |
| Oil Pump                         | 020-0040    |
| Inlet And Exhaust Manifold       | 020-0045    |
| Exhaust Bend                     | 020-0050    |
| Muffler                          | 020-0055    |
| Turbocharger                     | 020-0060    |
| Air Filter                       | 020-0065    |
| Instalation Air Filter           | 020-0070    |
| Sedimentation Filter             | 020-0075    |
| Fuel Filter                      | 020-0080    |
| Fuel Pipes System                | 020-0085    |
| Injection Pump                   | 020-0090    |
| Feed Pump                        | 020-0095    |
| Injector                         | 020-0100    |
| Lubrificant Oil Filter           | 020-0105    |
| Throttle System                  | 020-0110    |
| Throttle System                  | 020-0115    |
| Radiator                         | 020-0120    |
| Water Pump                       | 020-0125    |
| Gasket Kit                       | 020-0130    |
| Engine Repair Kit                | 020-0135    |

1580 TRACTOR (BR) - C158002  
0000691



## Cylinder Block

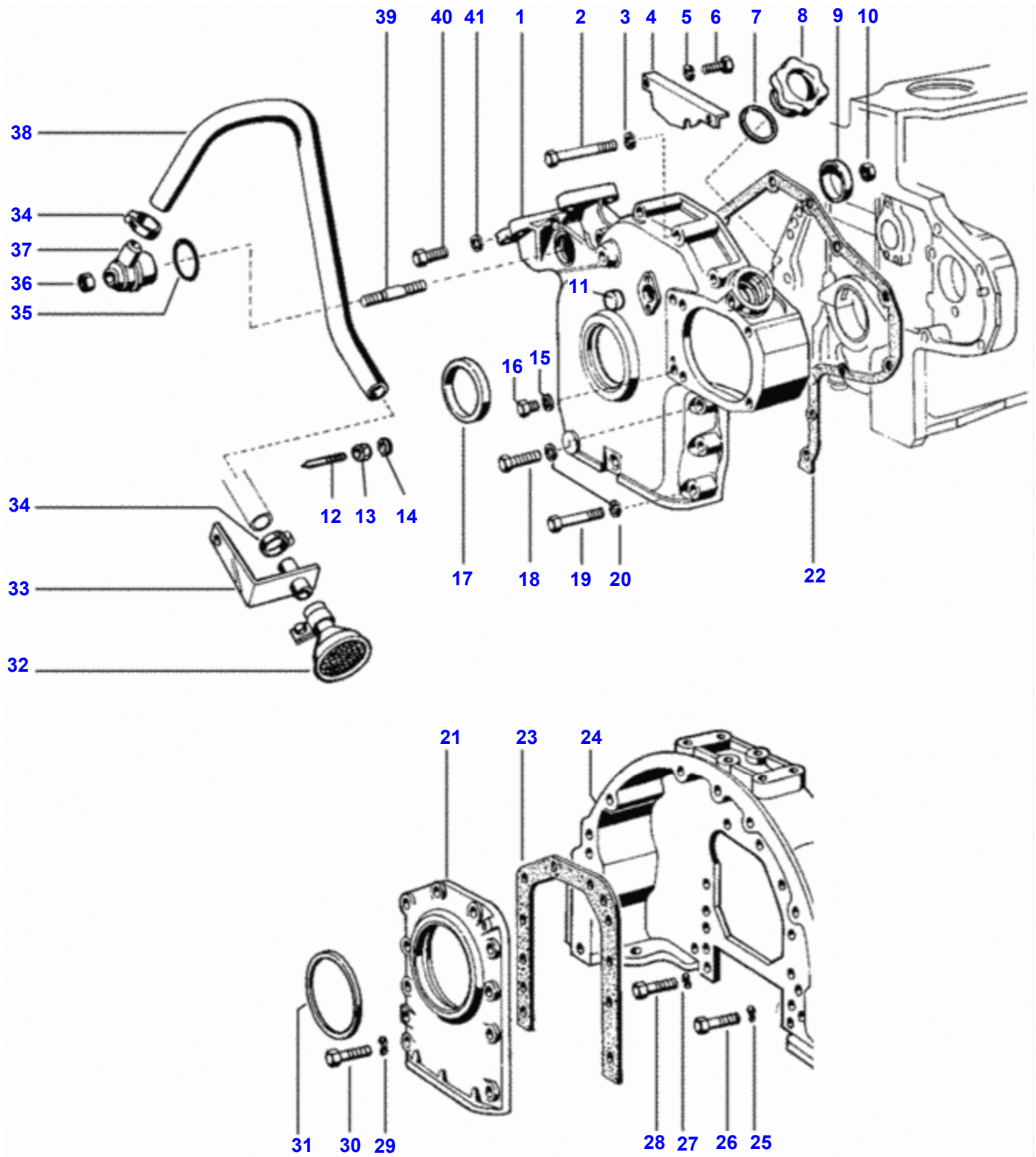
| Item | Part Number | Qty | Description      | Comments |
|------|-------------|-----|------------------|----------|
| 1    | V81217600   | 1   | Cylinder Block   |          |
| 2    | V149320     | 12  | O-Ring           |          |
| 3    | V135860     | 6   | Cylinder Liner   |          |
| 4    | V143810     | 6   | Cylinder         |          |
| 5    | V111000     | 2   | Cylinder         |          |
| 6    | V111140     | 2   | Lift Ring        |          |
| 7    | V110990     | 22  | Bolt             |          |
| 9    | V117190     | 2   | Bolt M8X35Mm     |          |
| 10   | V116890     | 2   | Washer           |          |
| 11   | V146530     | 1   | Seal Cover       |          |
| 12   | V117710     | 1   | O-Ring           |          |
| 13   | V135870     | 1   | Dipstick         |          |
| 14   | V132650     | 2   | Seal Washer      |          |
| 15   | V82605700   | 1   | Pipe             |          |
| 16   | V116310     | 1   | Collet           |          |
| 17   | V148730     | 1   | Plug 3/8-18 Npsf |          |
| 18   | V141340     | 11  | Pad              |          |
| 19   | V135900     | 1   | Relief Valve     |          |
| 20   | V111450     | 3   | Seal Cover       |          |
| 21   | V135910     | 6   | Washer           |          |
| 22   | VHA6322     | 6   | Screw            |          |
| 23   | VJD3108     | 6   | Washer           |          |
| 24   | V135920     | 6   | Oil Injector     |          |
| 25   | V135930     | 6   | O-Ring           |          |
| 26   | V142740     | 2   | Guide Pin        |          |
| 27   | V142730     | 2   | Guide Pin        |          |
| 28   | V135940     | 2   | Stop Ring        |          |
|      | V135950     | 2   | Thrust           |          |
| 29   | V141350     | 2   | Seal Cover       |          |
| 30   | V115710     | 1   | Gasket Sump      |          |
| 31   | VJB1110     | 4   | Nut              |          |
| 32   | V116950     | 4   | Tooth Washer     |          |
| 33   | V116940     | 4   | Washer           |          |
| 34   | V116810     | 4   | Dog              |          |
| 35   | VJD3108     | 39  | Washer           |          |
| 36   | V120700     | 3   | Bolt             |          |
| 37   | V117740     | 1   | Sump             |          |
| 38   | V117760     | 2   | Bolt             |          |
| 39   | VJD3108     | 2   | Washer           |          |
| 40   | V115660     | 1   | Balance Plate    |          |
| 41   | V117100     | 30  | Bolt             |          |
| 42   | V117770     | 6   | Bolt             |          |
| 43   | V111360     | 2   | Dog              |          |
| 44   | V110990     | 14  | Bolt             |          |
| 46   | V81288900   | 1   | Seal Washer      |          |
| 47   | V81288800   | 1   | Sump Plug        |          |
| 48   | V115720     | 4   | Dog              |          |
| 49   | V142730     | 2   | Guide Pin        |          |
| 50   | V135960     | 7   | Big-End          |          |
|      | V136000     | 7   | 4Th              |          |
|      | V135970     | 7   | 1St              |          |
|      | V135980     | 7   | 2Nd              |          |
|      | V135990     | 7   | 3Rd              |          |
| 51   | V111030     | 7   | Pressure Pin     |          |
| 52   | V110980     | 4   | Bush             |          |
| 53   | V142360     | 3   | Seal Pin         | 14mm     |
| 54   | V142370     | 2   | Pad              | 16mm     |
| 55   | V111120     | 1   | Gasket           |          |
| 56   | V195810     | 1   | Bracket          |          |
| 57   | V229600     | 1   | Cover            |          |
| 58   | VJB1106     | 1   | Washer           |          |
| 59   | V135530     | 1   | Seal Washer      |          |
| 60   | V142410     | 1   | Dust Valve       |          |
| 61   | V80962900   | 1   | Banjo Bolt       |          |
| 62   | V132600     | 2   | Seal Washer      | 1580     |
| 63   | V82601700   | 1   | Lubricant Tube   | 1580     |
| 64   | V141710     | 1   | Seal Washer      |          |
| 65   | V117640     | 1   | Bolt             |          |

Cylinder Block

| Item | Part Number | Qty | Description  | Comments |
|------|-------------|-----|--------------|----------|
| 66   | V143930     | 1   | Shim 0.05Mm  | [A]      |
|      | V143940     | 1   | Shim 0.10 Mm | [A]      |
|      | V143950     | 1   | Shim 0.15 Mm | [A]      |
|      | V143960     | 1   | Shim 0.20 Mm | [A]      |

FOOTNOTE [A] ACCORDING TO NECESSITY

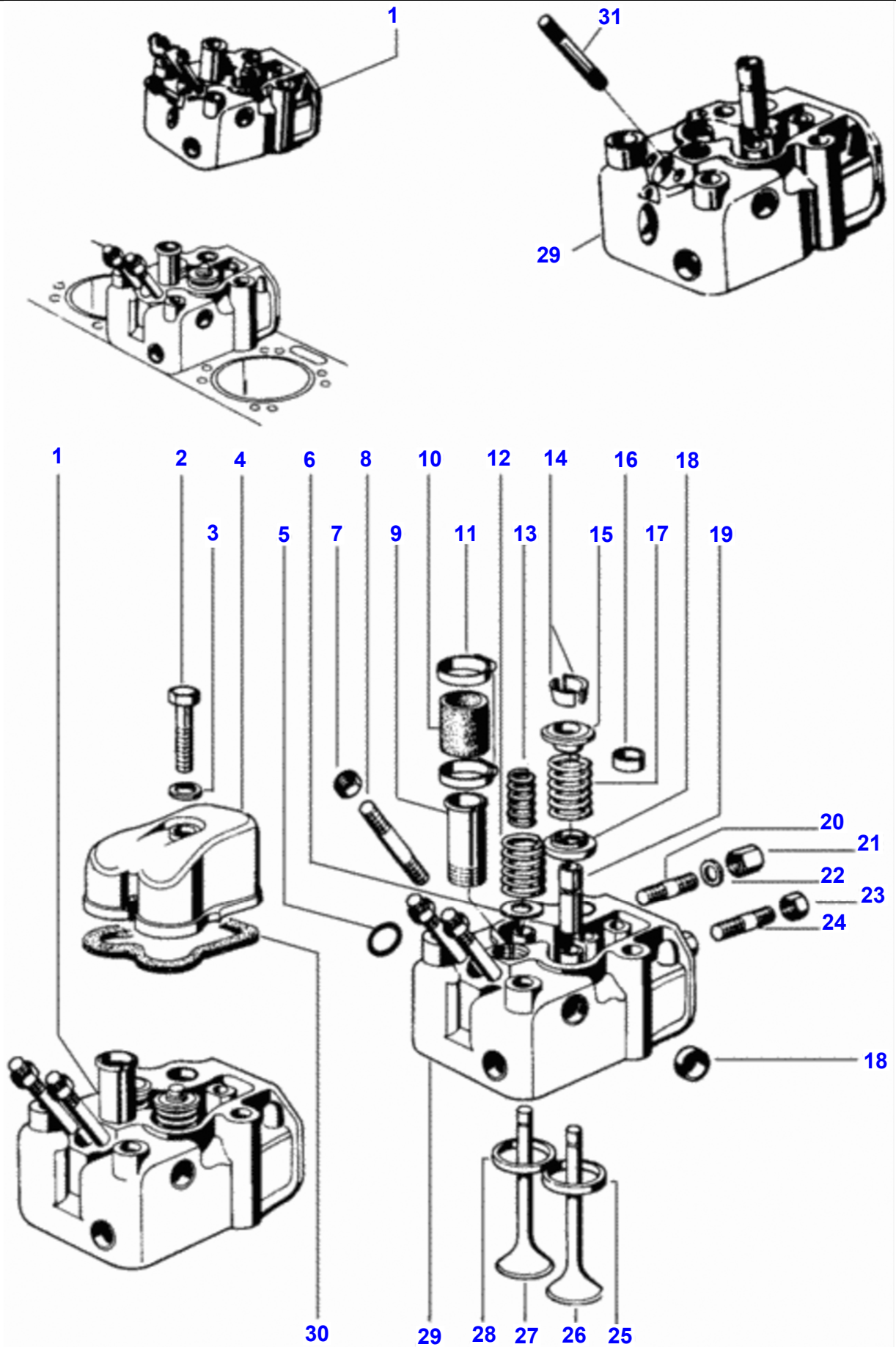
1580 TRACTOR (BR) - C158002  
00000693



## Front Cover And Flywheel Housing

| Item | Part Number | Qty | Description      |
|------|-------------|-----|------------------|
| 1    | V133800     | 1   | Front Cover      |
| 2    | V117120     | 5   | Bolt             |
| 3    | VJD3108     | 5   | Washer           |
| 4    | V136010     | 1   | Baffle Plate     |
| 5    | V117570     | 2   | Washer           |
| 6    | V125240     | 2   | Bolt             |
| 7    | V117000     | 1   | O-Ring           |
| 8    | V116990     | 1   | Filler Cap       |
| 9    | V111600     | 1   | Protector Plate  |
| 10   | V111630     | 1   | Nut              |
| 11   | V110970     | 1   | Seal Cover       |
| 12   | V80974000   | 1   | T.D.C. Indicator |
| 13   | VJB1108     | 2   | Nut              |
| 14   | VJD3108     | 2   | Washer           |
| 15   | V141710     | 1   | Seal Washer      |
| 16   | V111500     | 1   | Bolt             |
| 17   | V111560     | 1   | Seal             |
| 18   | V111660     | 3   | Bolt             |
| 19   | V117090     | 4   | Bolt             |
| 20   | VJD3108     | 7   | Washer           |
| 21   | V111510     | 1   | Rear Cover       |
| 22   | V111640     | 1   | Gasket           |
| 23   | V111530     | 1   | Gasket           |
| 24   | V148750     | 1   | Flywheel Housing |
| 25   | V117030     | 12  | Washer           |
| 26   | V118470     | 12  | Bolt             |
| 27   | V117050     | 6   | Spring Washer    |
| 28   | V149150     | 6   | Bolt             |
| 29   | V116890     | 10  | Washer           |
| 30   | V117190     | 10  | Bolt M8X35Mm     |
| 31   | V111520     | 1   | Seal             |
| 32   | V136020     | 1   | Breather Filter  |
| 33   | V136040     | 1   | Bracket          |
| 34   | VGP3918     | 2   | Clamp            |
| 35   | V111340     | 1   | O-Ring           |
| 36   | V111630     | 1   | Nut              |
| 37   | V136050     | 1   | Breather Cover   |
| 38   | V136070     | 1   | Hose             |
| 39   | V111590     | 1   | Dog              |
| 40   | V117100     | 1   | Bolt             |
| 41   | VJD3108     | 2   | Washer           |

1580 TRACTOR (BR) - C158002  
0000694

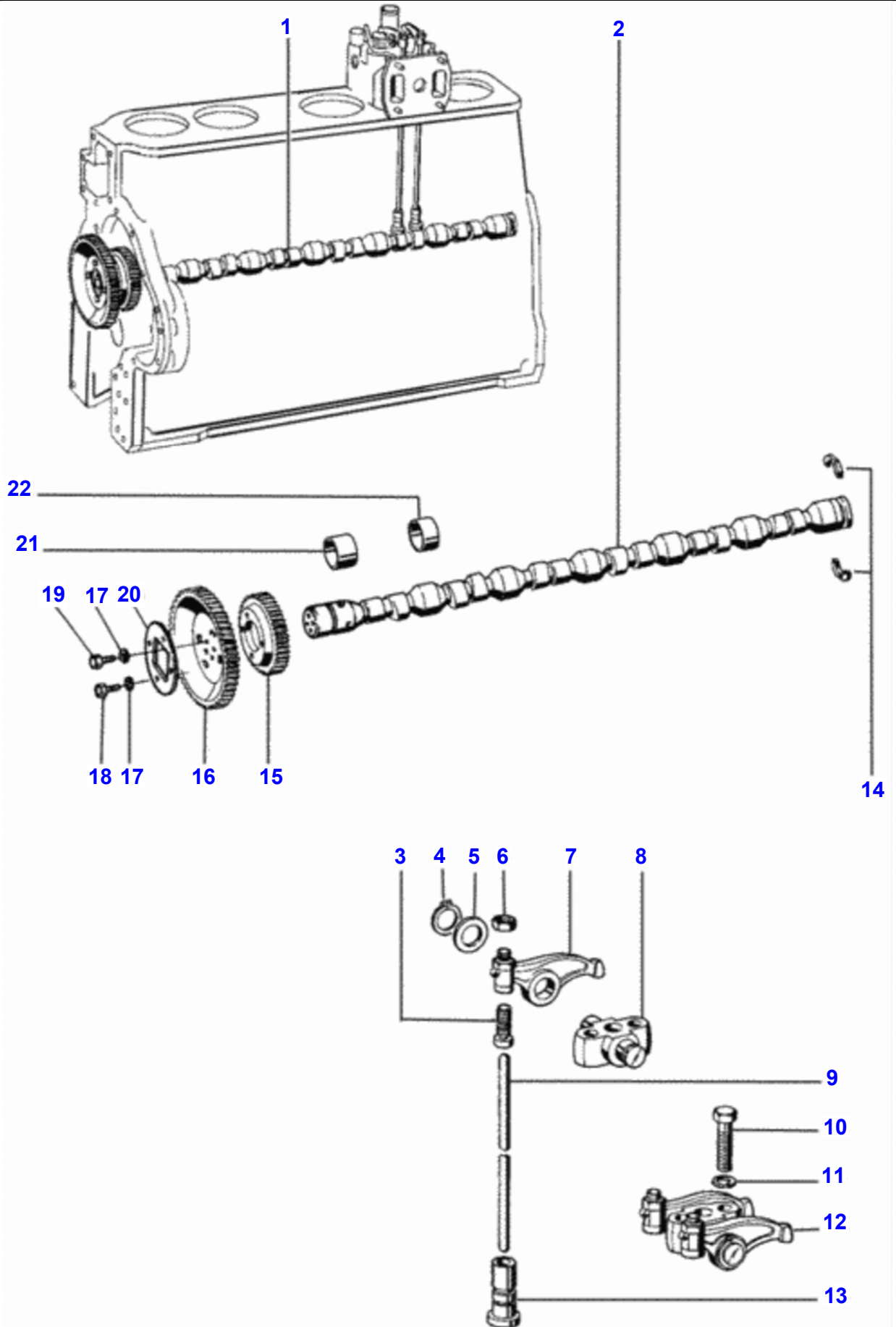




## Cylinder Head

| Item | Part Number | Qty | Description     |
|------|-------------|-----|-----------------|
| 1    | V81216300   | 6   | Complete        |
| 2    | V121390     | 6   | Bolt            |
| 3    | V112620     | 6   | Seal Washer     |
| 4    | V149330     | 6   | Valve Cover     |
| 5    | V117300     | 6   | O-Ring          |
| 6    | V136320     | 6   | Lower Disc      |
| 7    | VJB1108     | 12  | Nut             |
| 8    | V142270     | 12  | Dog             |
| 9    | V112550     | 6   | Pipe            |
| 10   | V112570     | 6   | Hose            |
| 11   | VGP3918     | 12  | Clamp           |
| 12   | V136330     | 6   | Outer Spring    |
| 13   | V136340     | 6   | Inner Spring    |
| 14   | V116030     | 24  | Valve Cotter    |
| 15   | V112450     | 12  | Upper Disc      |
| 16   | V112480     | 30  | Seal Cover      |
| 17   | V116020     | 12  | Valve Spring    |
| 18   | V81348000   | 6   | Specil          |
| 19   | V117330     | 12  | Valve Guide Std |
|      | V81291200   | 12  | Valve           |
| 20   | V136360     | 12  | Dog             |
| 21   | V136370     | 12  | Nut             |
| 22   | V116080     | 12  | Washer          |
| 23   | V133670     | 12  | Nut             |
| 24   | V116810     | 6   | Dog             |
| 25   | V80963400   | 6   | Intake          |
| 26   | V136400     | 6   | Intake Valve    |
| 27   | V136411     | 6   | Exhaust Vale    |
| 28   | V80963500   | 6   | Exhaust         |
| 29   | V81216300   | 6   | Complete        |
| 30   | V149340     | 6   | Gasket          |
| 31   | V140090     | 12  | Dog             |

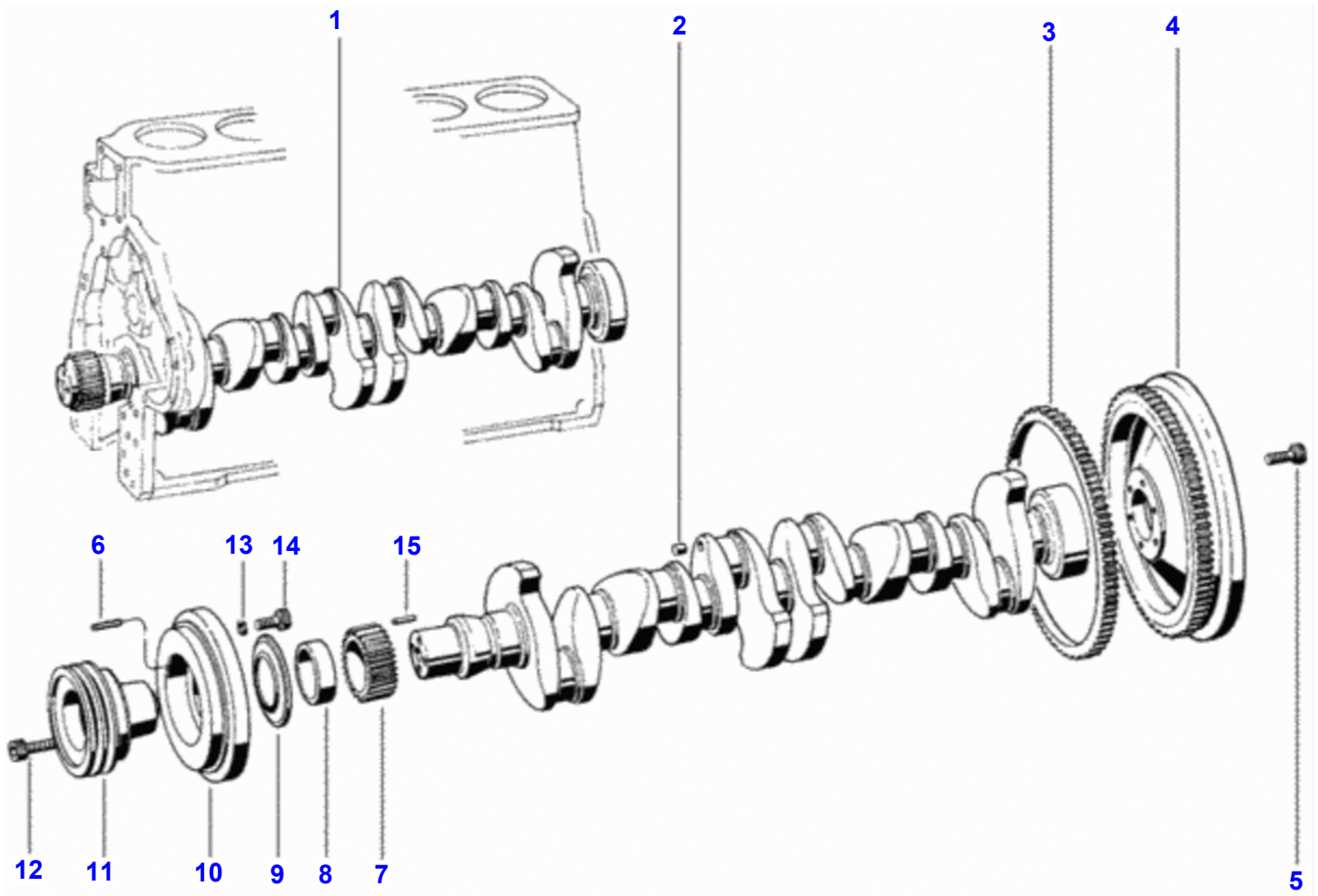
1580 TRACTOR (BR) - C158002  
0000695



## Valve Mechanism

| Item | Part Number | Qty | Description     |
|------|-------------|-----|-----------------|
| 1    | V80974400   | 1   | Complete        |
| 2    | V80974500   | 1   | Valve           |
| 3    | V112170     | 12  | Adjusting Screw |
| 4    | V112190     | 12  | Circlip         |
| 5    | V112180     | 12  | Rocker          |
| 6    | VJB1108     | 12  | Nut             |
| 7    | V149370     | 12  | Assy Rocker Arm |
| 8    | V149350     | 6   | Rocker          |
| 9    | V112201     | 12  | Push Rod        |
| 10   | V117150     | 12  | Bolt            |
| 11   | VJD3110     | 12  | Pressure Washer |
| 12   | V149360     | 6   | Complete        |
| 13   | V112210     | 12  | Rocker          |
| 14   | V115950     | 1   | Setting Ring    |
| 15   | V112000     | 1   | Gear            |
| 16   | V111990     | 1   | Gear            |
| 17   | VJD3108     | 8   | Washer          |
| 18   | V117190     | 4   | Bolt M8X35Mm    |
| 19   | V80974600   | 4   | Bolt            |
| 20   | V112020     | 1   | Lock            |
| 21   | V112120     | 2   | Bushing         |
| 22   | V112130     | 5   | Bushing         |

1580 TRACTOR (BR) - C158002  
0000697

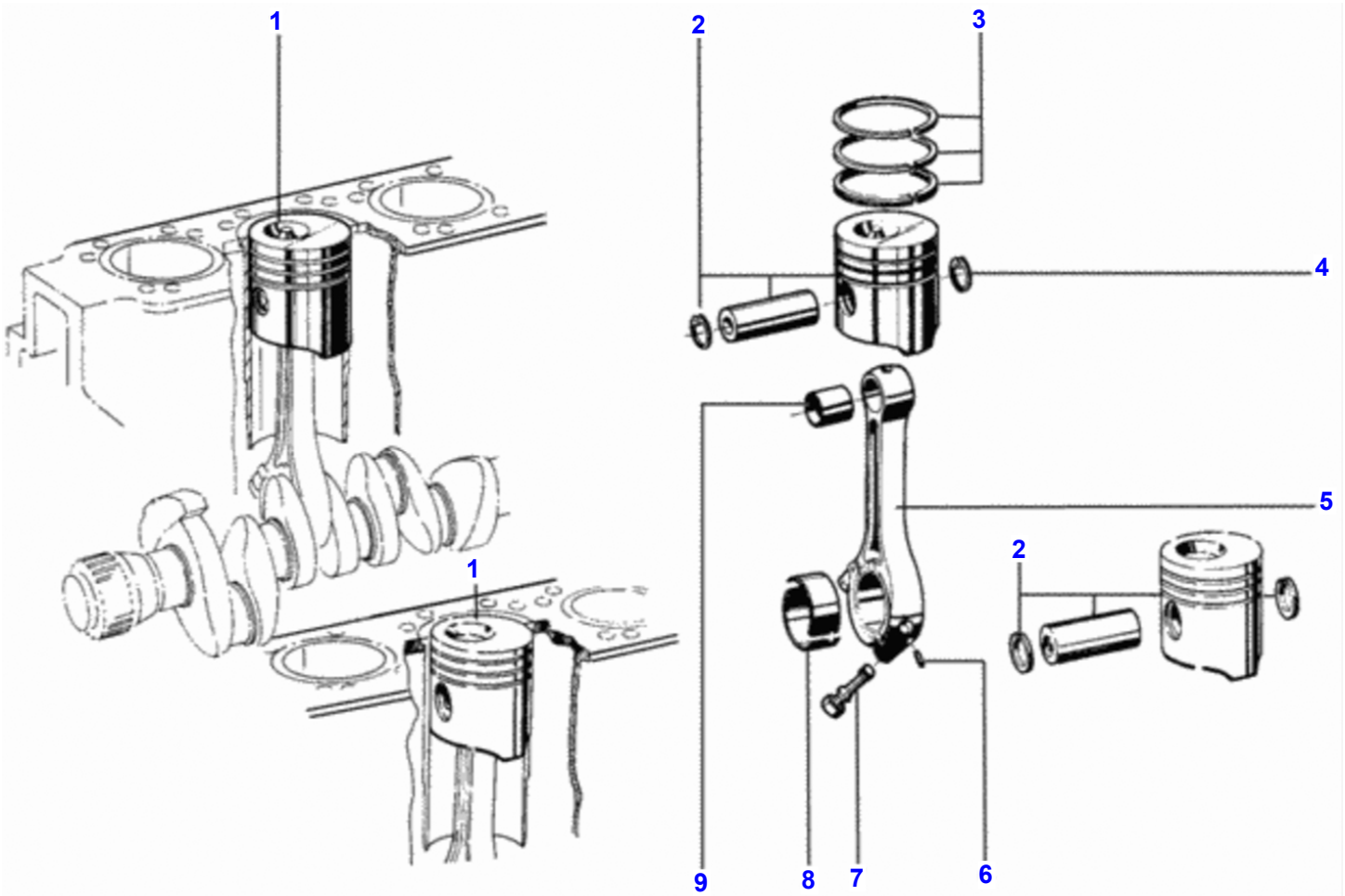


## Crankshaft Mechanism

| Item | Part Number | Qty | Description      | Comments |
|------|-------------|-----|------------------|----------|
| 1    | V81364400   | 1   | Complete         |          |
| 2    | V142390     | 6   | Pad              |          |
| 3    | V222340     | 1   | Flywheel         |          |
| 4    | V81267100   | 1   | Flywheel         | [A]      |
|      | V80876100   | 1   | Flywheel         |          |
| 5    | V81214700   | 6   | Bolt             |          |
| 6    | V118680     | 1   | Key              |          |
| 7    | V136130     | 1   | Gear             |          |
| 8    | V136140     | 1   | Pulley Bushing   |          |
| 9    | V136150     | 1   | Dust Deflector   |          |
| 10   | V80974200   | 1   | Vibration Damper |          |
| 11   | V149660     | 1   | Pulley           |          |
| 12   | V136180     | 4   | Bolt             |          |
| 13   | VJD3110     | 6   | Pressure Washer  |          |
| 14   | V136190     | 6   | Bolt             |          |
| 15   | V118680     | 1   | Key              |          |

FOOTNOTE [A] FOR DOUBLE CLUTCH

1580 TRACTOR (BR) - C158002  
0000698



**Piston And Rod**

| <b>Item</b> | <b>Part Number</b> | <b>Qty</b> | <b>Description</b> | <b>Comments</b> |
|-------------|--------------------|------------|--------------------|-----------------|
| 1           | V81140700          | 6          | Assy Piston        | Ref. 2,3,4      |
| 2           | V81140800          | 6          | Piston             |                 |
| 3           | V145370            | 6          | Piston Ring Set    |                 |
| 4           | V136230            | 12         | Circlip            |                 |
| 5           | V136240            | 6          | Connecting Rod     |                 |
| 6           | V116000            | 6          | Pressure Pin       |                 |
| 7           | V112300            | 12         | Bolt               |                 |
| 8           | V136280            | 6          | 3Rd                |                 |
|             | V136270            | 6          | 2Nd                |                 |
|             | V136260            | 6          | Big-End            |                 |
|             | V136250            | 6          | Big-End            |                 |
|             | V136290            | 6          | 4Th                |                 |
| 9           | V136300            | 6          | Bush               |                 |

Thank you so much for reading.  
Please click the “Buy Now!”  
button below to download the  
complete manual.



After you pay.

You can download the most  
perfect and complete manual in  
the world immediately.

Our support email:

[ebooklibonline@outlook.com](mailto:ebooklibonline@outlook.com)