

Product: EXCAVATOR

Model: 314C EXCAVATOR SNY

Configuration: 314C CR Excavator SNY00001-UP (MACHINE) POWERED BY 3064 Engine

Disassembly and Assembly 314C Excavator Excavator Systems

Media Number -REN6613-05

Publication Date -01/03/2017

Date Updated -13/03/2017

i07269885

Final Drive and Travel Motor - Assemble

SMCS - 4050-016; 4351-016

S/N - KJA277-UP

S/N - PCA1658-UP

S/N - SNY499-UP

Assembly Procedure

Table 1

Required Tools			
Tool	Part Number	Part Description	Qty
A	138-7573	Link Bracket	3
B	1P-2420	Transmission Repair Stand	1
E	1P-0510	Driver Gp	1
F	8H-0663	Bearing Puller Gp	1
G	1P-1863	Retaining Ring Pliers	1
H	9U-7346	Spanner Wrench As	1
K	1U-7558	Mounting Adapter Gp ⁽¹⁾	1
L	-	Loctite 271	-
M	-	Loctite High Flex GM	-
N	169-0503	Installation Kit	1
P	1U-6434	Duo-Cone Seal Installer As	1

Q	4C-3761	C-Clamp	2
R	FT-2766	Rolling Torque Bar	1
S	-	Loctite 272	-

⁽¹⁾ The bent plates for the mounting adapter may be modified so that the mounting adapter can be assembled to the housing.

Assembly Procedure for the Final Drive

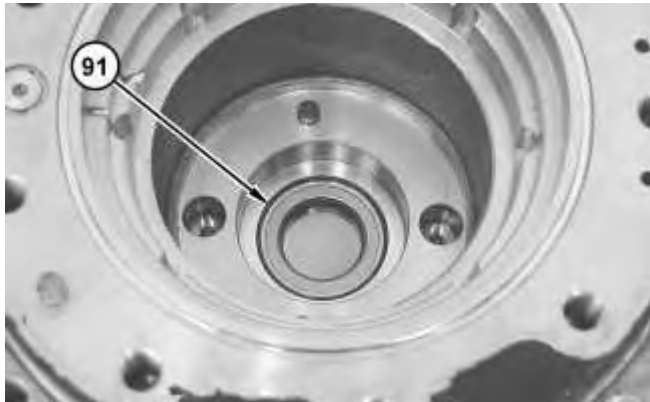


Illustration 1

g01407166

1. Use Tooling (E) to install lip seal (91) into the body assembly.

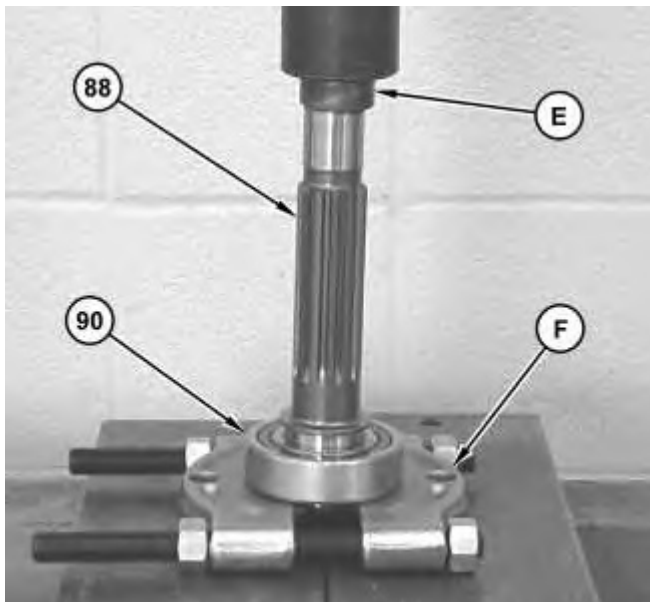


Illustration 2

g01407561

2. Use Tooling (E), Tooling (F), and a suitable press to install bearing assembly (90) onto shaft assembly (88).

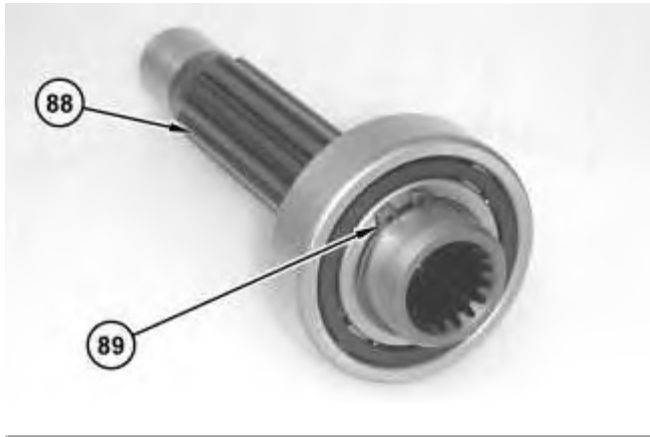


Illustration 3

g01407144

3. Use Tooling (G) to install retaining ring (89) on shaft assembly (88).

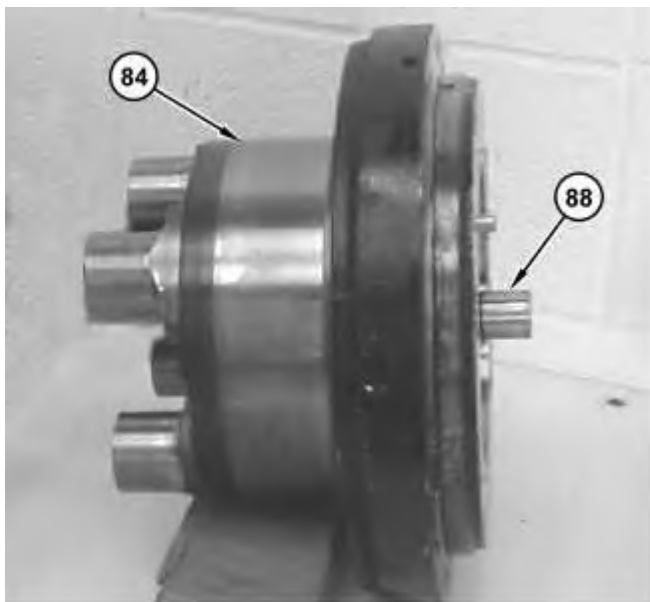


Illustration 4

g01407580

4. Use a suitable soft faced hammer to install shaft assembly (88) into body assembly (84).



Illustration 5

g01407608

Thank you so much for reading.
Please click the “Buy Now!”
button below to download the
complete manual.



After you pay.

You can download the most
perfect and complete manual in
the world immediately.

Our support email:

ebooklibonline@outlook.com