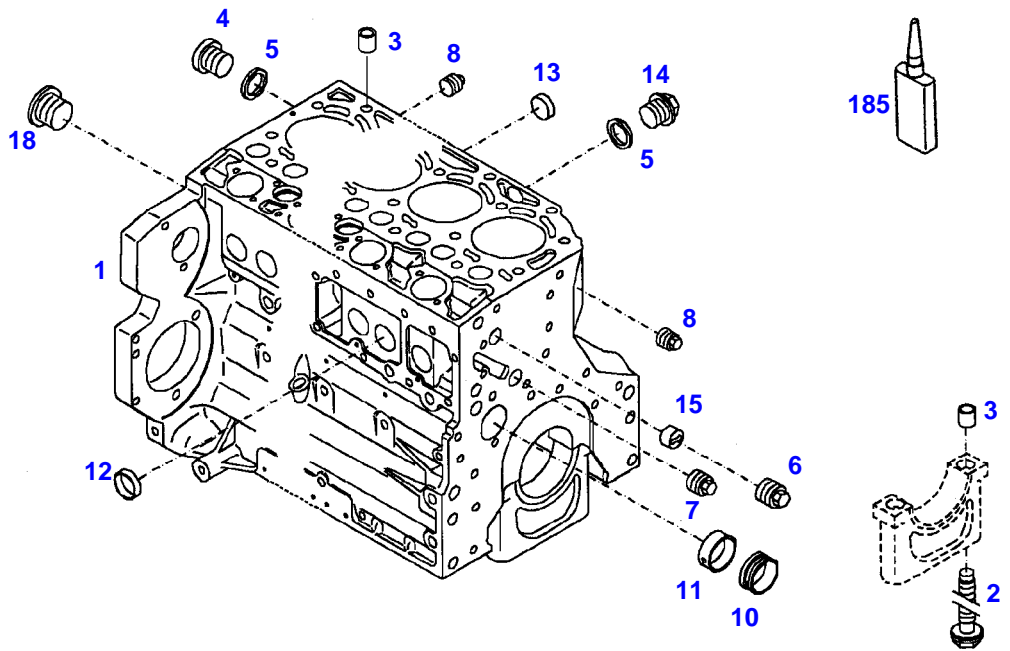


TABLE OF CONTENT

| Page Number | Page Title | Page Reference |
|--------------------|-------------------------------------|-----------------------|
| 01-000-TOC | ENGINE, FUEL AND EXHAUST SYSTEM | 01-000-TOC |
| 02-000-TOC | AXLES | 02-000-TOC |
| 03-000-TOC | STEERING SYSTEM | 03-000-TOC |
| 04-000-TOC | DRIVE TRAIN SYSTEM | 04-000-TOC |
| 05-000-TOC | COMPRESSED AIR SYSTEM | 05-000-TOC |
| 06-000-TOC | HYDRAULIC SYSTEM | 06-000-TOC |
| 07-000-TOC | ELECTRICAL SYSTEM | 07-000-TOC |
| 08-000-TOC | CAB | 08-000-TOC |
| 09-000-TOC | AIR CONDITIONING AND HEATING SYSTEM | 09-000-TOC |
| 10-000-TOC | CHASSIS | 10-000-TOC |
| 11-000-TOC | WHEELS | 11-000-TOC |
| 12-000-TOC | IMPLEMENT LIFT SYSTEM FRONT | 12-000-TOC |
| 13-000-TOC | IMPLEMENT LIFT SYSTEM REAR | 13-000-TOC |
| 14-000-TOC | FRONT/REAR LOADERS | 14-000-TOC |
| 15-000-TOC | ACCESSORIES | 15-000-TOC |

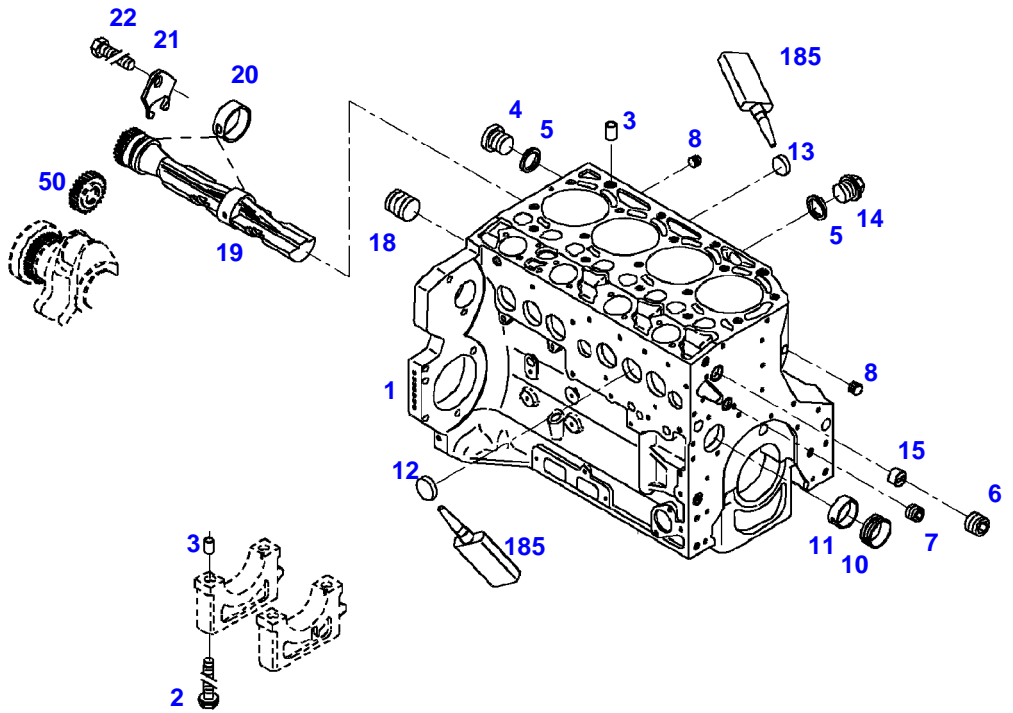
FARMER 307 (117/00201-01000 & 05001-99999)
34194



034-194

| Item | Part Number | Qty | Description Comments | Technical Specification |
|------|-------------|-----|---|-------------------------|
| | | | ENGINE NUMBER --> 860089 | |
| | 72422071 | 1 | ENGINE ENGINE NEW <-- Z117.200.010.010 ENGINE EXCHANGE | BF04M1012E |
| 1 | 72432952 | 1 | CRANKCASE ><2-8,10-15,18 | |
| 2 | 72416467 | 10 | HEXAGONAL HEAD BOLT | |
| 3 | 72344342 | 10 | ADAPTER BUSH | |
| 4 | 72315438 | 1 | PLUG SCREW | DIN 908 M14X1,5-ST |
| 5 | 72315095 | 3 | SEALING WASHER | DIN 7603 A14X20-CU |
| 6 | 72325319 | 1 | PLUG M30X1,5 | |
| 7 | 72325321 | 1 | PLUG | |
| 8 | 72325322 | 2 | PLUG M14X1,5 ENG.NO. --> 780289 | |
| | 72429347 | 2 | SCREW M14X1,5 ENG.NO. <-- 780290 | M14X1,5 |
| 10 | 72416469 | 4 | BEARING BUSHING | |
| 11 | 72416470 | 1 | BEARING BUSHING | |
| 12 | 72325325 | 6 | CORE HOLE PLUG | |
| 13 | 72325326 | 4 | CORE HOLE PLUG | |
| 14 | 72315799 | 2 | PLUG | DIN 7604 AM14X1,5-A3L |
| 15 | 72325327 | 1 | GUIDE SLEEVE | |
| 18 | 72416465 | 1 | PLUG ENG.NO. --> 780289 | |
| | 72431135 | 1 | LOCKING PLUG M22X1,5 ENG.NO. <-- 780290 | |
| 185 | 72325403 | 1 | SAFE.LOCK AGENT | |

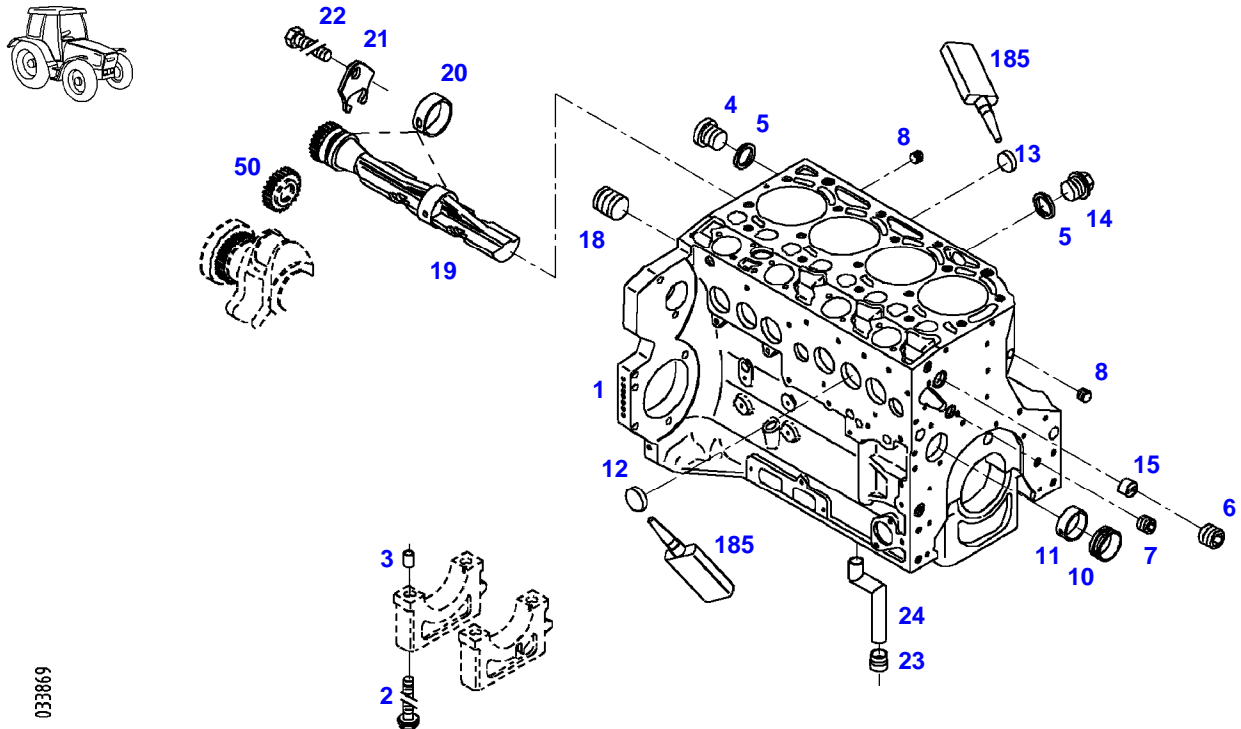
FARMER 307 (117/00201-01000 & 05001-99999)
34195



034195

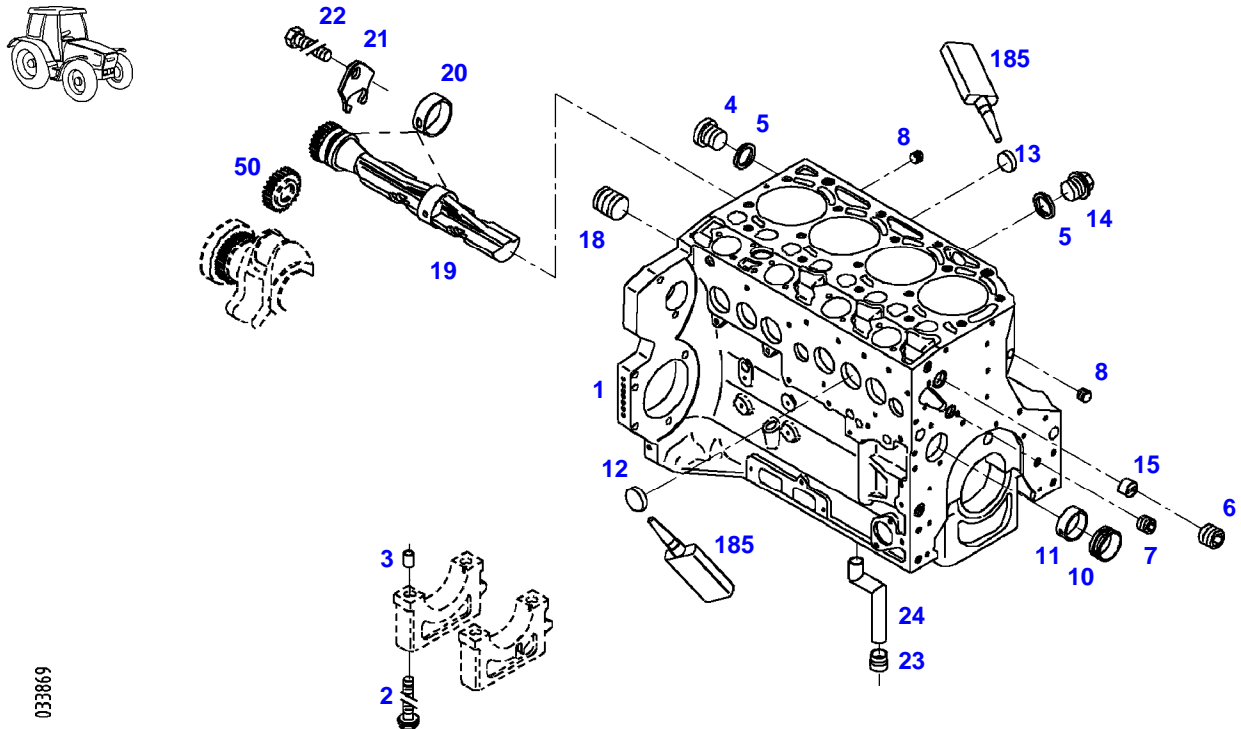
| Item | Part Number | Qty | Description Comments | Technical Specification |
|------|-------------|-----|---|-------------------------|
| | | | ENGINE NUMBER <-- 860090 --> 117/8000 | |
| | 72422071 | 1 | ENGINE ENGINE NEW <-- Z117.200.010.010 ENGINE EXCHANGE | BF04M1012E |
| 1 | 72420749 | 1 | CRANKCASE ><2-15,18 | |
| 2 | 72416467 | 10 | HEXAGONAL HEAD BOLT | |
| 3 | 72344342 | 10 | ADAPTER BUSH | |
| 4 | 72315438 | 1 | PLUG SCREW | DIN 908 M14X1,5-ST |
| 5 | 72315095 | 3 | SEALING WASHER | DIN 7603 A14X20-CU |
| 6 | 72325319 | 1 | PLUG 30X1,5 | |
| 7 | 72325321 | 1 | PLUG 22X1,5 | |
| 8 | 72429347 | 2 | SCREW 14X1,5 | M14X1,5 |
| 10 | 72416469 | 4 | BEARING BUSHING | |
| 11 | 72416470 | 1 | BEARING BUSHING | |
| 12 | 72325325 | 6 | CORE HOLE PLUG | |
| 13 | 72325326 | 4 | CORE HOLE PLUG | |
| 14 | 72315799 | 2 | PLUG | DIN 7604 AM14X1,5-A3L |
| 15 | 72325327 | 1 | GUIDE SLEEVE | |
| 18 | 72431135 | 1 | LOCKING PLUG M22X1,5 | |
| 19 | 72325338 | 2 | GANG SHAFT | |
| 20 | 72325339 | 4 | BUSH | |
| 21 | 72415943 | 2 | THRUST WASHER | |
| 22 | 72423137 | 2 | HEXAGONAL HEAD BOLT M8X16 | |
| 50 | | | SEE BALANCER GEARS | |
| 185 | 72325403 | 1 | SAFE.LOCK AGENT | |

FARMER 307 (117/00201-01000 & 05001-99999)
33869

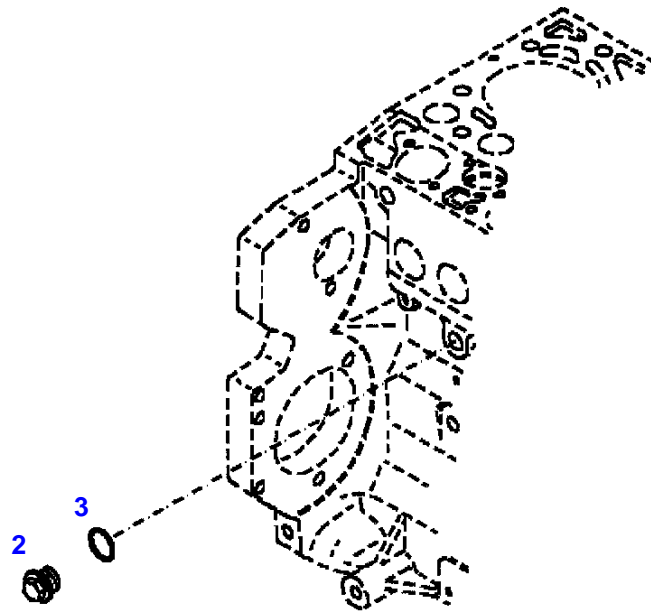


| Item | Part Number | Qty | Description Comments | Technical Specification |
|------|-------------|-----|---|-------------------------|
| | | | <-- 117/0301 --> 117/0400 <-- 117/8001 ENGINE NUMBER --> 1065576 | |
| | 72420736 | 1 | ENGINE ENGINE NEW <-- Z117.202.010.010 ENGINE EXCHANGE | BF04M2012C |
| | 72604524 | 1 | REMANUFACTURED SHORT BLOCK ENGINE | |
| 1 | 72435954 | 1 | CRANKCASE ><2-15,18,19-24 | |
| 2 | 72416467 | 10 | HEXAGONAL HEAD BOLT | |
| 3 | 72344342 | 10 | ADAPTER BUSH | |
| 4 | 72315438 | 1 | PLUG SCREW | DIN 908 M14X1,5-ST |
| 5 | 72315095 | 3 | SEALING WASHER | DIN 7603 A14X20-CU |
| 6 | 72325319 | 1 | PLUG 30X1,5 | |
| 7 | 72325321 | 1 | PLUG 22X1,5 | |
| 8 | 72429347 | 2 | SCREW 14X1,5 | M14X1,5 |
| 10 | 72416469 | 4 | BEARING BUSHING | |
| 11 | 72416470 | 1 | BEARING BUSHING | |
| 12 | 72325325 | 6 | CORE HOLE PLUG | |
| 13 | 72325326 | 4 | CORE HOLE PLUG | |
| 14 | 72315799 | 2 | PLUG | DIN 7604 AM14X1,5-A3L |
| 15 | 72325327 | 1 | GUIDE SLEEVE | |
| 18 | 72431135 | 1 | LOCKING PLUG M22X1,5 | |
| 19 | 72429813 | 2 | GANG SHAFT | |
| 20 | 72325339 | 4 | BUSH | |
| 21 | 72415943 | 2 | THRUST WASHER | |
| 22 | 72423137 | 2 | HEXAGONAL HEAD BOLT M8X16 | |
| 23 | 72420773 | 1 | LOCKING PART | |
| 24 | 72420774 | 1 | LINE | |
| 50 | | | | |
| 185 | 72325403 | 1 | SEE BALANCER GEARS SAFE.LOCK AGENT | |

FARMER 307 (117/00201-01000 & 05001-99999)
33869

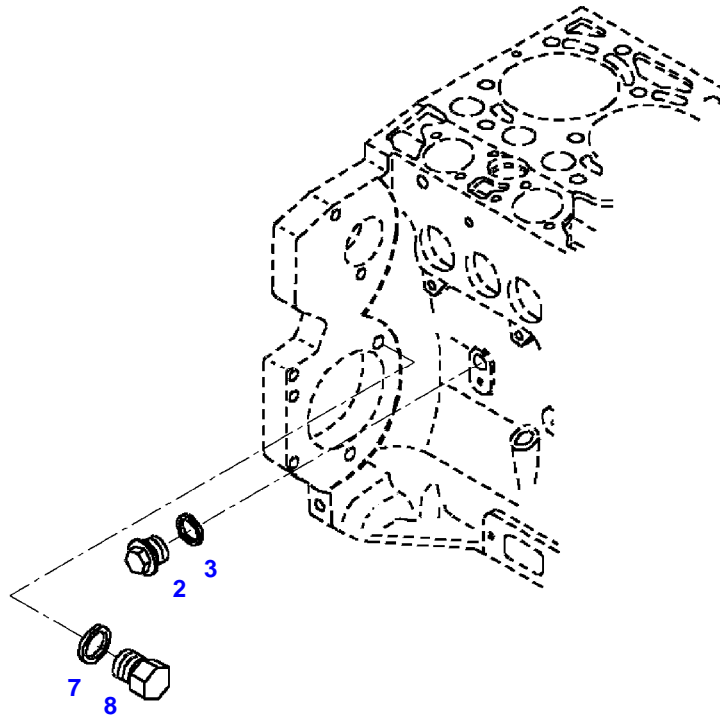


| Item | Part Number | Qty | Description Comments | Technical Specification |
|------|-------------|-----|---|-------------------------|
| | | | ENGINE NUMBER <-- 1065577 | |
| | 72420736 | 1 | ENGINE ENGINE NEW --> 117/9967 <-- Z117.202.010.010 ENGINE EXCHANGE | BF04M2012C |
| | 72604524 | 1 | REMANUFACTURED SHORT BLOCK ENGINE --> 117/9967 | |
| | 72439796 | 1 | ENGINE ENGINE NEW <-- 117/9968 <-- Z117.202.010.020 ENGINE EXCHANGE | BF04M2012C |
| | 72604524 | 1 | REMANUFACTURED SHORT BLOCK ENGINE <-- 117/9968 | |
| 1 | 72609289 | 1 | CRANKCASE ><2-15,18-24 | |
| 2 | 72416467 | 10 | HEXAGONAL HEAD BOLT | |
| 3 | 72344342 | 10 | ADAPTER BUSH | |
| 4 | 72315438 | 1 | PLUG SCREW | DIN 908 M14X1,5-ST |
| 5 | 72315095 | 3 | SEALING WASHER | DIN 7603 A14X20-CU |
| 6 | 72325319 | 1 | PLUG 30X1,5 | |
| 7 | 72325321 | 1 | PLUG 22X1,5 | |
| 8 | 72429347 | 2 | SCREW 14X1,5 | M14X1,5 |
| 10 | 72416469 | 4 | BEARING BUSHING | |
| 11 | 72416470 | 1 | BEARING BUSHING | |
| 12 | 72325325 | 6 | CORE HOLE PLUG | |
| 13 | 72325326 | 4 | CORE HOLE PLUG | |
| 14 | 72315799 | 2 | PLUG | DIN 7604 AM14X1,5-A3L |
| 15 | 72325327 | 1 | GUIDE SLEEVE | |
| 18 | 72431135 | 1 | LOCKING PLUG | |
| 19 | 72429813 | 2 | GANG SHAFT | |
| 20 | 72325339 | 4 | BUSH | |
| 21 | 72415943 | 2 | THRUST WASHER | |
| 22 | 72423137 | 2 | HEXAGONAL HEAD BOLT M8X16 | |
| 23 | 72420773 | 1 | LOCKING PART | |
| 24 | 72420774 | 1 | LINE | |
| 50 | | | SEE BALANCER GEARS | |
| 185 | 72325403 | 1 | SAFE.LOCK AGENT | |



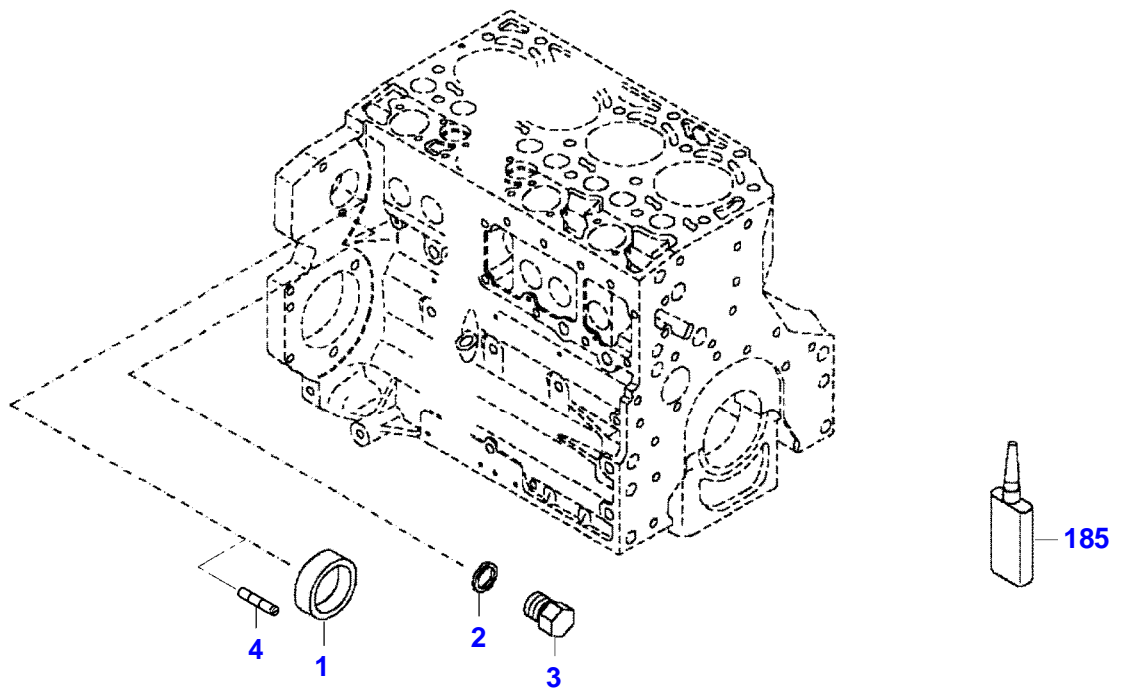
6191E0

| Item | Part Number | Qty | Description Comments | Technical Specification |
|-----------------------|-------------|-----|---|-------------------------|
| BLANKING PARTS | | | | |
| 2 | 72315799 | 1 | PLUG NOT NEEDED WITH AIR BRAKE | DIN 7604 AM14X1,5-A3L |
| 3 | 72315094 | 1 | SEALING WASHER NOT NEEDED WITH AIR BRAKE | DIN 7603 A14X18-CU |

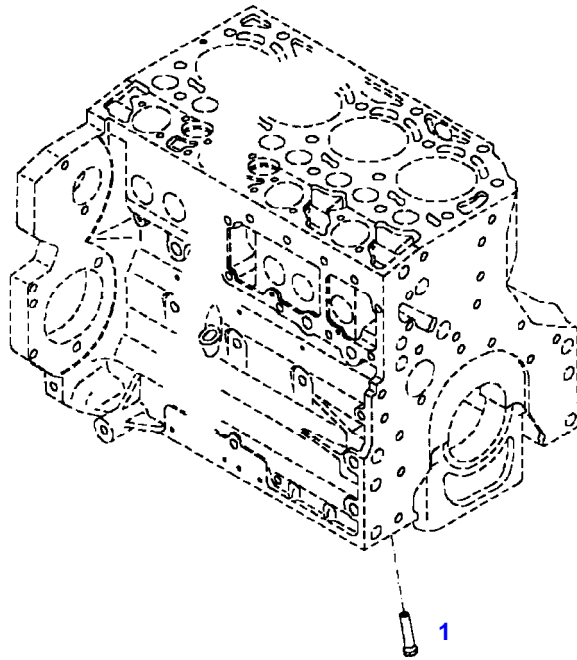


033868

| Item | Part Number | Qty | Description Comments | Technical Specification |
|------|-------------|-----|--|-------------------------|
| | | | BLANKING PARTS <-- 117/0301 --> 117/0400 <-- 117/8001 | |
| 2 | 72315799 | 1 | PLUG NOT NEEDED WITH AIR BRAKE | DIN 7604 AM14X1,5-A3L |
| 3 | 72315094 | 1 | SEALING WASHER NOT NEEDED WITH AIR BRAKE | DIN 7603 A14X18-CU |
| 7 | 72315088 | 1 | SEALING WASHER | DIN 7603 A10X13,5-CU |
| 8 | 72323677 | 1 | PLUG | |



| Item | Part Number | Qty | Description Comments | Technical Specification |
|-----------------------|-------------|-----|-------------------------|-------------------------|
| BLANKING PARTS | | | | |
| 1 | 72627515 | 1 | CORE HOLE PLUG | |
| 2 | 72315088 | 2 | SEALING WASHER | DIN 7603 A10X13,5-CU |
| 3 | 72323677 | 2 | PLUG | |
| 4 | 72631860 | 2 | SLUG | |
| 185 | 72325403 | 1 | SAFE.LOCK AGENT | |



030004

Fendt

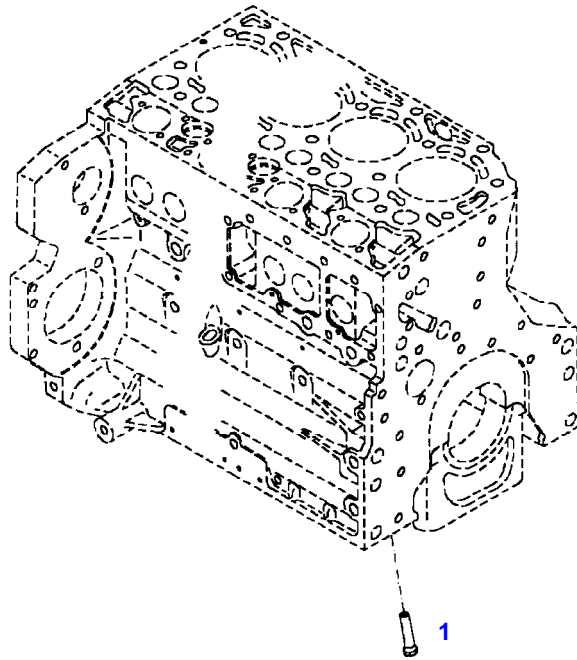
FARMER 307 (117/00201-01000 & 05001-99999)

F117001

CRANKCASE

Page01-0009

| Item | Part Number | Qty | Description Comments |
|------|-------------|-----|--|
| | | | PISTON COOL.NOZZLE <-- 117/0201 --> 117/0300 <-- 117/5001 --> 117/8000 |
| 1 | 72325334 | 1 | PISTON COOLING JET |



030004

Fendt

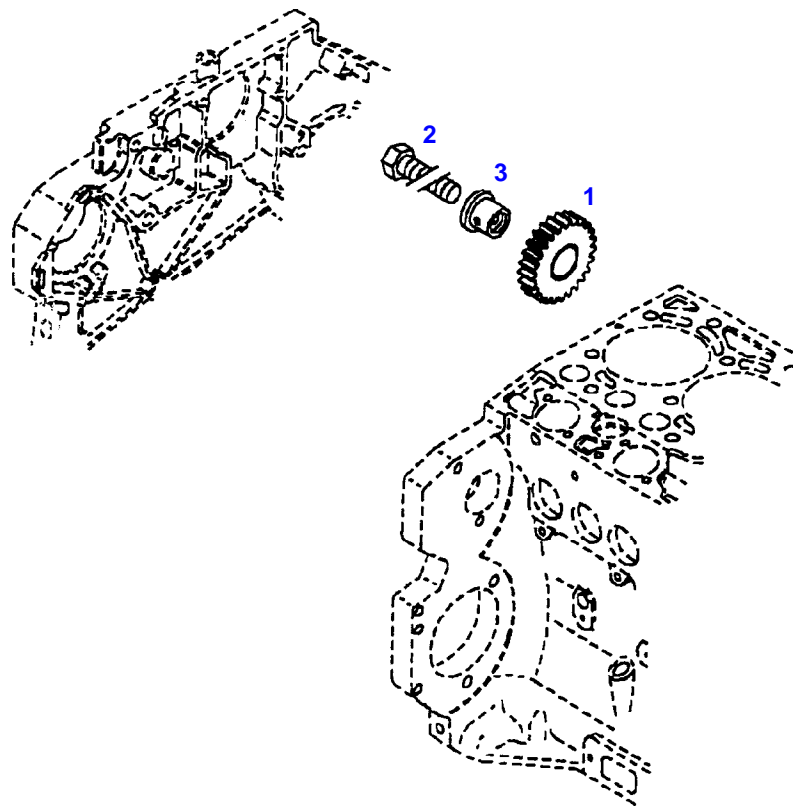
FARMER 307 (117/00201-01000 & 05001-99999)

F117001

CRANKCASE

Page01-0010

| Item | Part Number | Qty | Description Comments |
|------|-------------|-----|---|
| | | | PISTON COOL.NOZZLE <-- 117/0301 --> 117/0400 <-- 117/8001 |
| 1 | 72415140 | 4 | PISTON COOLING JET |



12057

Fendt

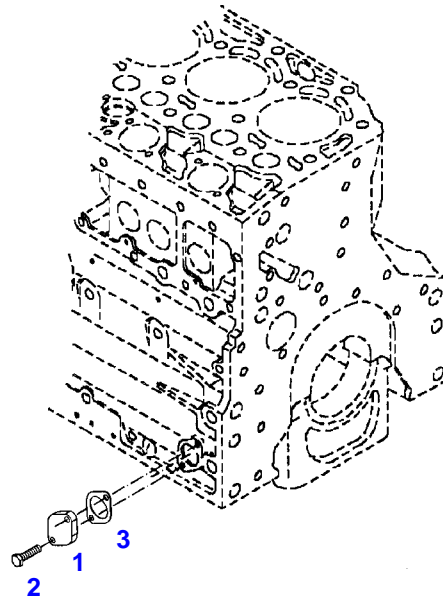
FARMER 307 (117/00201-01000 & 05001-99999)

F117001

CRANKCASE

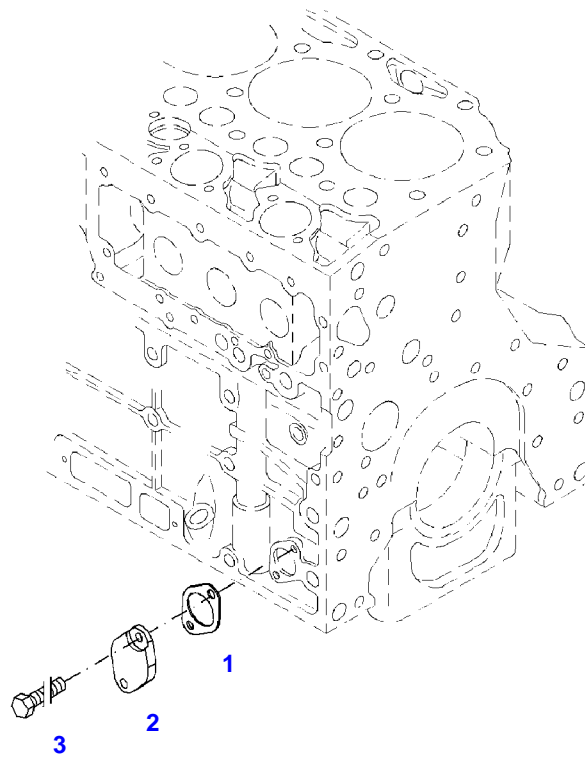
Page01-0011

| Item | Part Number | Qty | Description Comments | Technical Specification |
|------|-------------|-----|---------------------------|-------------------------|
| | | | INTERM. GEAR WHEEL | |
| 1 | 72325335 | 1 | GEAR WHEEL | |
| 2 | 72315658 | 1 | HEXAGONAL HEAD BOLT | DIN 933 M8X35-10.9 |
| 3 | 72325336 | 1 | PIVOT | |



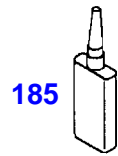
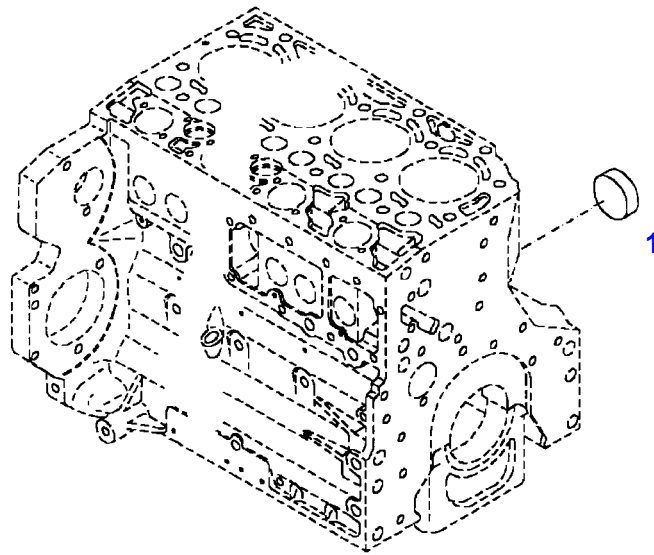
96810

| Item | Part Number | Qty | Description Comments | Technical Specification |
|------|-------------|-----|---|-------------------------|
| | | | BLANKING PARTS ENGINE NUMBER --> 10420791 | |
| 1 | 72326910 | 1 | COVER NOT NEEDED WITH AIR BRAKE | |
| 2 | 72415315 | 2 | HEXAGONAL HEAD BOLT NOT NEEDED WITH AIR BRAKE | M8X20 |
| 3 | 72325401 | 1 | SEAL | |



041018

| Item | Part Number | Qty | Description Comments | Technical Specification |
|------|-------------|-----|---|-------------------------|
| | | | BLANKING PARTS ENGINE NUMBER <-- 10420792 | |
| 1 | 72325401 | 1 | SEAL | |
| 2 | 72439814 | 1 | FLANGE NOT NEEDED WITH AIR BRAKE | |
| 3 | 72374423 | 2 | HEXAGONAL HEAD BOLT NOT NEEDED WITH AIR BRAKE | DIN 933 M8X20-10.9A4C |



030097

Fendt

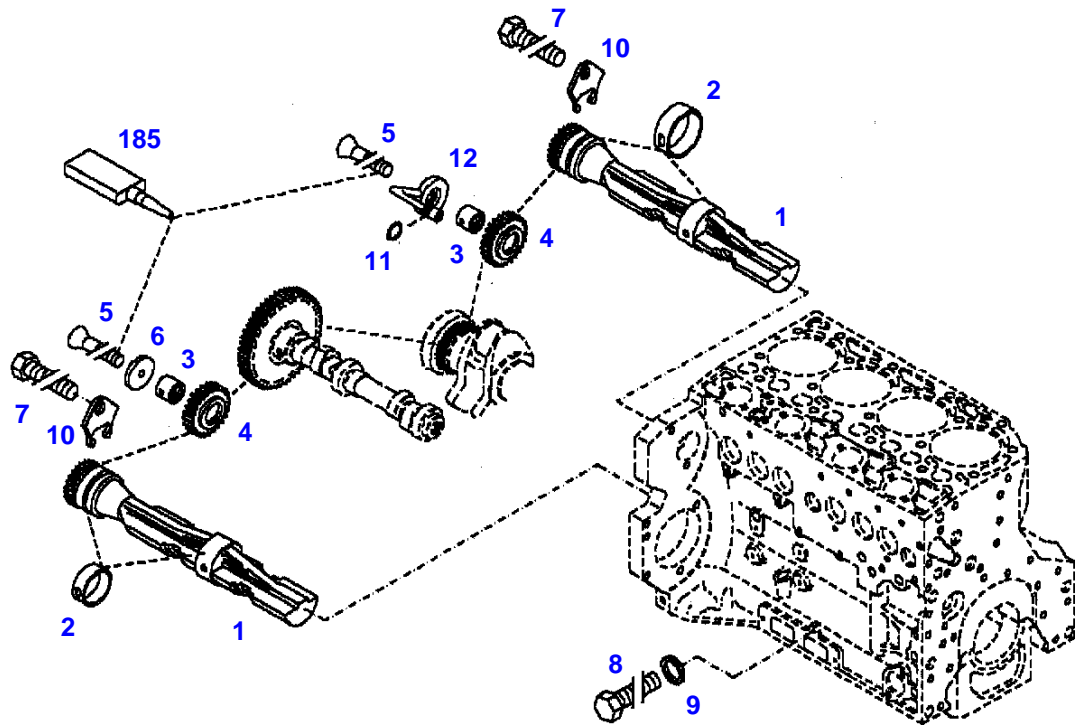
FARMER 307 (117/00201-01000 & 05001-99999)

F117001

CRANKCASE

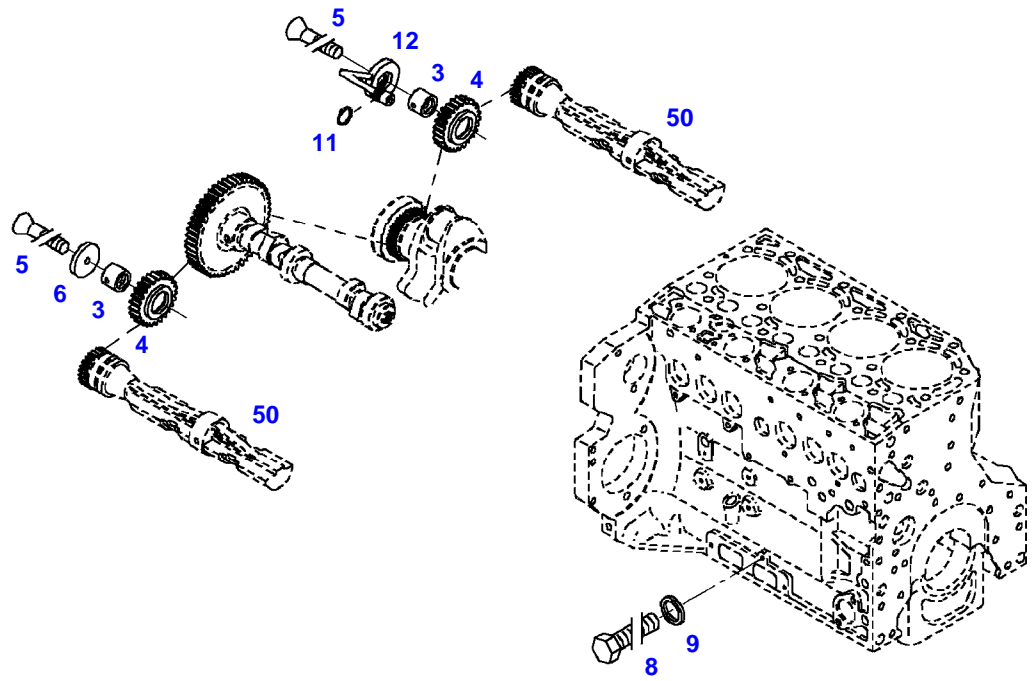
Page01-0014

| Item | Part Number | Qty | Description Comments |
|------|-------------|-----|-------------------------|
| | | | LOCKING PLUG |
| 1 | 72325337 | 1 | CORE HOLE PLUG |
| 185 | 72325403 | 1 | SAFE.LOCK AGENT |



031426

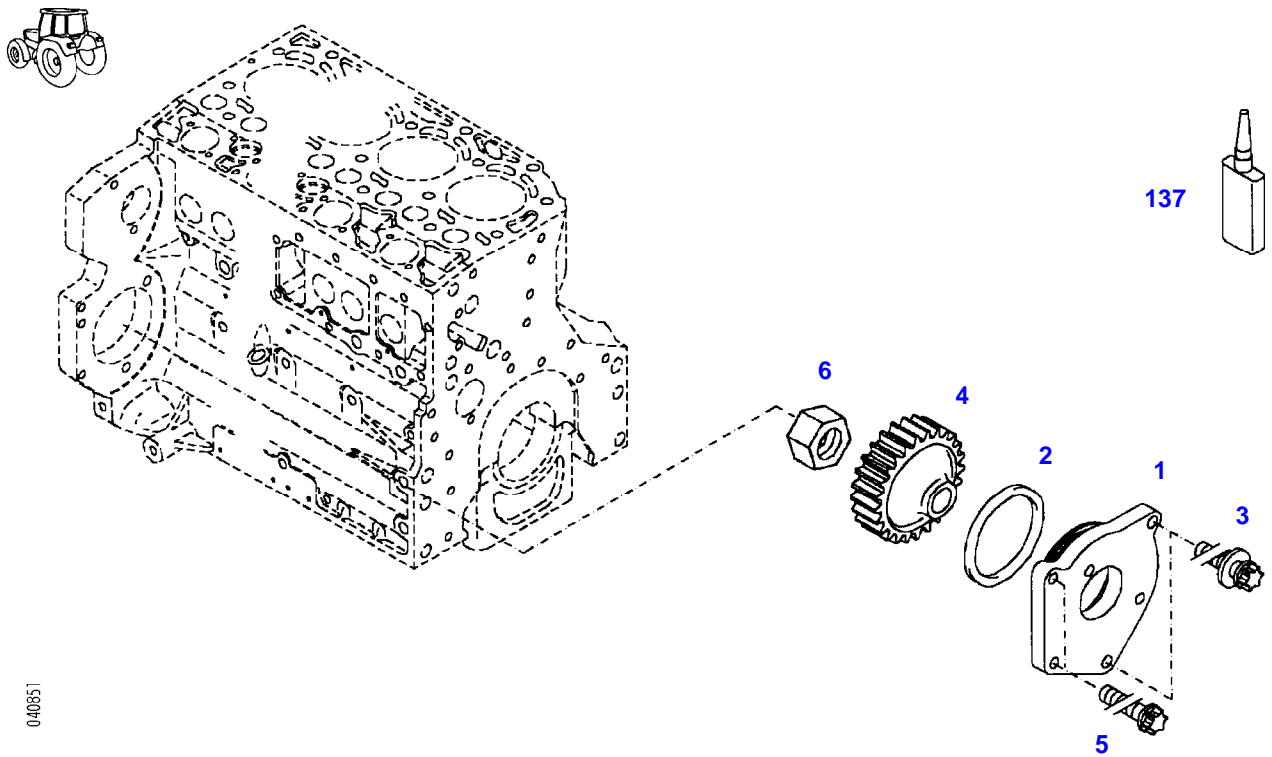
| Item | Part Number | Qty | Description Comments | Technical Specification |
|------|-------------|-----|------------------------------------|-------------------------|
| | | | ENGINE NUMBER --> 860089 | |
| 1 | 72325338 | 2 | GANG SHAFT | |
| 2 | 72325339 | 4 | BUSH | |
| 3 | 72415940 | 2 | PIVOT | |
| 4 | 72415941 | 2 | GEAR WHEEL | |
| 5 | 72423136 | 2 | COUNTERSUNK CAPSCREW M8X45 | |
| 6 | 72415942 | 2 | FIXING SHIM | |
| 7 | 72423137 | 2 | HEXAGONAL HEAD BOLT M8X16 | |
| 8 | 72315643 | 2 | HEXAGONAL HEAD BOLT | DIN 933 M8X10-8.8 |
| 9 | 72315086 | 2 | SEALING WASHER | DIN 7603 A8X11,5-CU |
| 10 | 72415943 | 2 | THRUST WASHER | |
| 11 | 72423138 | 1 | SEAL 7X1,5MM | |
| 12 | 72415945 | 1 | PIVOT | |
| 185 | 72381391 | 1 | THREADLOCKER | LOCTITE 243 10ML |



033867

| Item | Part Number | Qty | Description Comments | Technical Specification |
|------|-------------|-----|------------------------------------|-------------------------|
| | | | ENGINE NUMBER <-- 860090 | |
| 3 | 72415940 | 2 | PIVOT | |
| 4 | 72415941 | 2 | GEAR WHEEL | |
| 5 | 72423136 | 2 | COUNTERSUNK CAPSCREW M8X45 | |
| 6 | 72415942 | 1 | FIXING SHIM | |
| 8 | 72315644 | 2 | HEXAGONAL HEAD BOLT | DIN 933 M8X10-8.8A3L |
| 9 | 72315087 | 2 | SEALING WASHER | DIN 7603 A8X14-CU |
| 11 | 72423138 | 1 | SEAL 7X1,5MM | |
| 12 | 72415945 | 1 | PIVOT | |
| 50 | | | SEE CRANKCASE | |

FARMER 307 (117/00201-01000 & 05001-99999)
40851



Fendt

FARMER 307 (117/00201-01000 & 05001-99999)

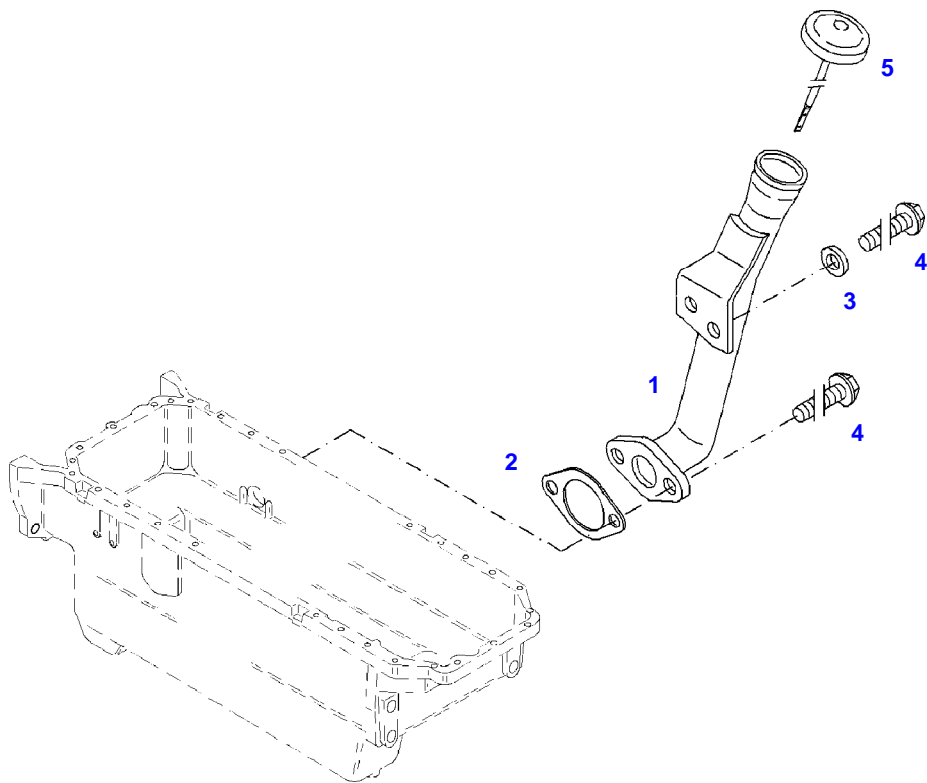
F117001

PUMP DRIVE

Page01-0017

| Item | Part Number | Qty | Description Comments |
|------|-------------|-----|-------------------------|
| 1 | 72601858 | 1 | INTERMEDIATE FLANGE |
| 2 | 72325343 | 1 | SEAL 95X3,55MM |
| 3 | 72325344 | 2 | TORX SCREW M8X30 |
| 4 | 72325345 | 1 | GEAR WHEEL |
| 5 | 72325346 | 2 | TORX SCREW M10X30 |
| 6 | 72323713 | 1 | NUT |
| 137 | 72325407 | 1 | SAFE.LOCK AGENT |

FARMER 307 (117/00201-01000 & 05001-99999)
41019



041019

Fendt

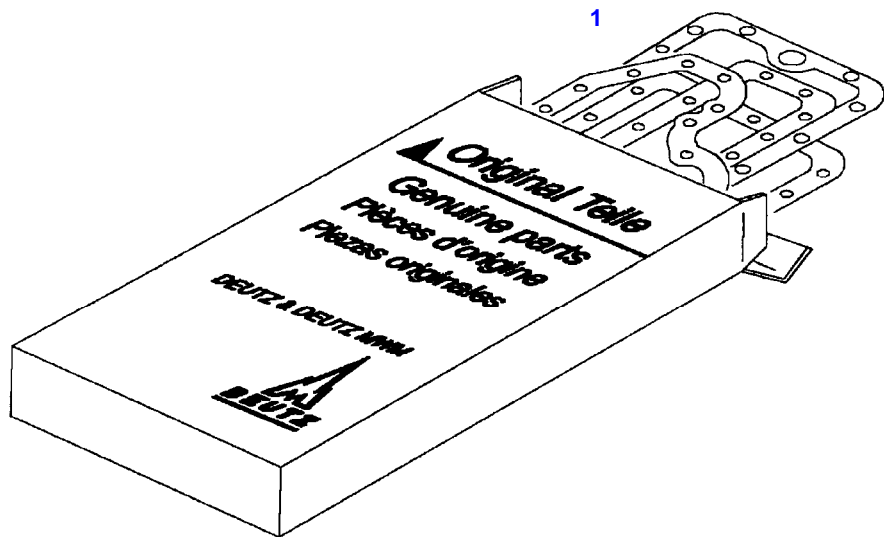
FARMER 307 (117/00201-01000 & 05001-99999)

F117001

OIL FILLER

Page01-0018

| Item | Part Number | Qty | Description Comments | Technical Specification |
|------|-------------|-----|-------------------------|-------------------------|
| 1 | 72325400 | 1 | OIL FILLER NECK | |
| 2 | 72325401 | 1 | SEAL | |
| 3 | 72325402 | 1 | DISC | |
| 4 | 72415315 | 3 | HEXAGONAL HEAD BOLT | M8X20 |
| | | | M8X20 | |
| 5 | 72325412 | 1 | FILLER LOCK | |



030100

Fendt

FARMER 307 (117/00201-01000 & 05001-99999)

F117001

SET OF GASKETS

Page01-0019

| Item | Part Number | Qty | Description Comments |
|------|-------------|-----|--|
| | | | ENGINE <-- 117/0201 --> 117/0300 <-- 117/5001 --> 117/8000 |
| 1 | 72325347 | 1 | SEAL KIT WITHOUT CYLINDER HEAD GASKET |

Thank you so much for reading.
Please click the “Buy Now!”
button below to download the
complete manual.



After you pay.

You can download the most
perfect and complete manual in
the world immediately.

Our support email:

ebooklibonline@outlook.com