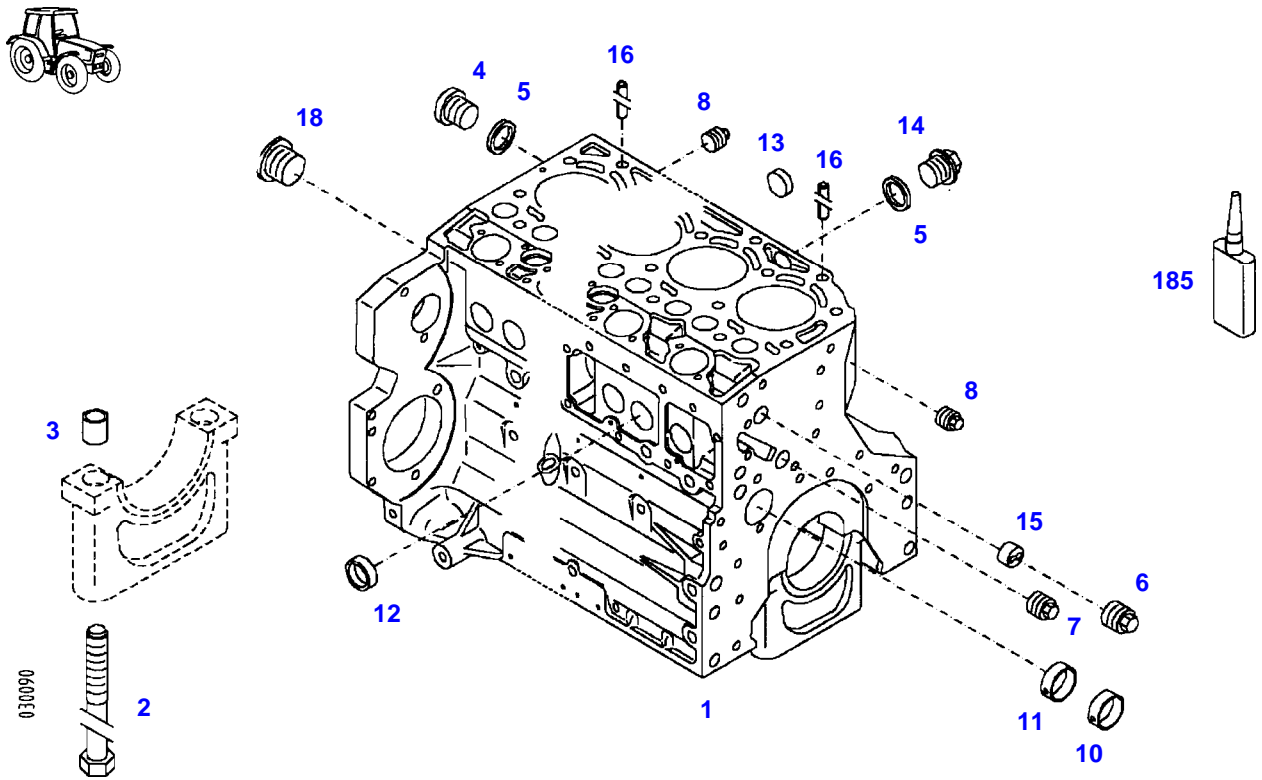


**TABLE OF CONTENT**

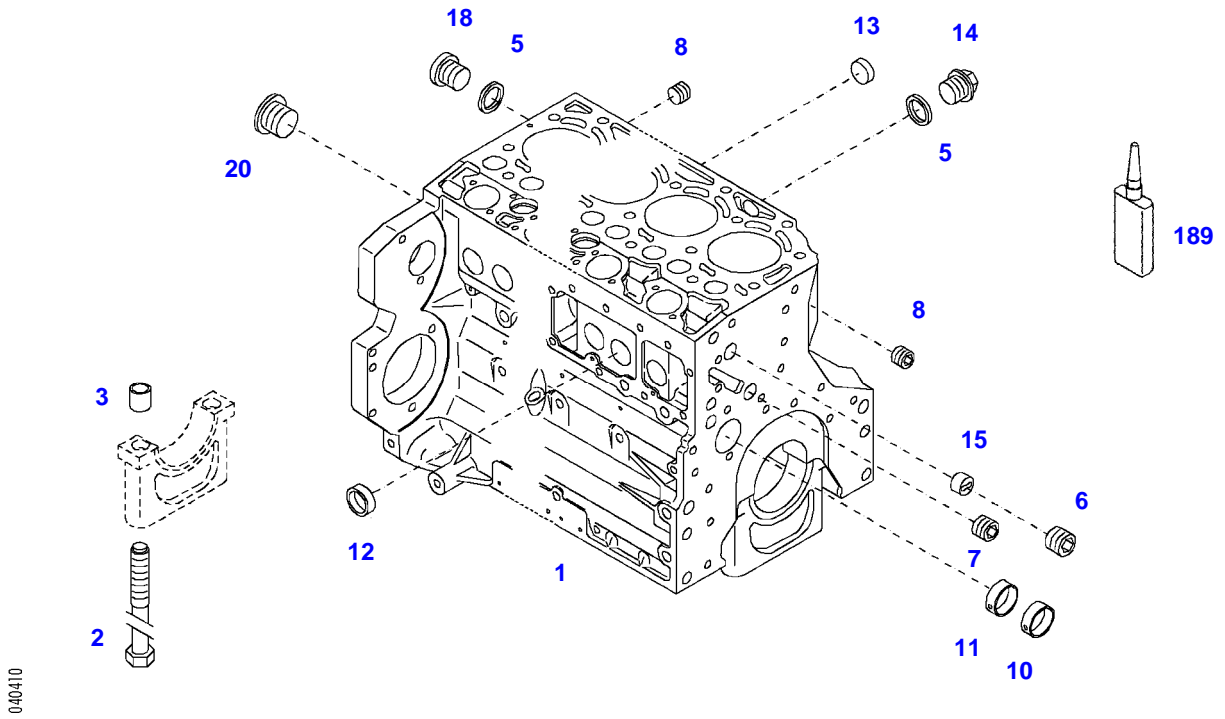
<b>Page Number</b>	<b>Page Title</b>	<b>Page Reference</b>
01-000-TOC	ENGINE, FUEL AND EXHAUST SYSTEM	01-000-TOC
02-000-TOC	AXLES	02-000-TOC
03-000-TOC	STEERING SYSTEM	03-000-TOC
04-000-TOC	DRIVE TRAIN SYSTEM	04-000-TOC
05-000-TOC	COMPRESSED AIR SYSTEM	05-000-TOC
06-000-TOC	HYDRAULIC SYSTEM	06-000-TOC
07-000-TOC	ELECTRICAL SYSTEM	07-000-TOC
08-000-TOC	CAB	08-000-TOC
09-000-TOC	AIR CONDITIONING AND HEATING SYSTEM	09-000-TOC
10-000-TOC	CHASSIS	10-000-TOC
11-000-TOC	WHEELS	11-000-TOC
12-000-TOC	IMPLEMENT LIFT SYSTEM FRONT	12-000-TOC
13-000-TOC	IMPLEMENT LIFT SYSTEM REAR	13-000-TOC
14-000-TOC	FRONT/REAR LOADERS	14-000-TOC
15-000-TOC	ACCESSORIES	15-000-TOC

FARMER 308 (118/00101-00200 & 01001-05000)  
30090



Item	Part Number	Qty	Description Comments	Technical Specification
			<b>ENGINE NUMBER</b> --> 283620	
	72422072	1	ENGINE ENGINE NEW <-- Z118.200.010.010 ENGINE EXCHANGE	BF04M1012EC
1	72325320	1	CRANKCASE ><2-8,10-16,18 <-- F119200211150 <>	
	72415953	1	CAMSHAFT	
	72415954	8	TAPPET	
	72420784	2	BUSH	
	72415941	2	GEAR WHEEL	
	72415940	2	PIVOT	
	72415942	2	FIXING SHIM	
	72423136	2	COUNTERSUNK CAPSCREW	
	72415943	2	THRUST WASHER	
	72423137	2	HEXAGONAL HEAD BOLT	
	72415945	2	PIVOT	
	72423138	1	SEAL	
2	72344343	10	HEXAGONAL HEAD BOLT	
3	72344342	10	ADAPTER BUSH	
4	72315438	1	PLUG SCREW	DIN 908 M14X1,5-ST
5	72315095	3	SEALING WASHER	DIN 7603 A14X20-CU
6	72325319	1	PLUG M30X1,5	
7	72325321	1	PLUG M22X1,5	
8	72325322	2	PLUG M14X1,5	
10	72325323	4	BEARING BUSHING	
11	72325324	1	BEARING BUSHING	
12	72325325	6	CORE HOLE PLUG	
13	72325326	4	CORE HOLE PLUG	
14	72315799	2	PLUG	DIN 7604 AM14X1,5-A3L
15	72325327	1	GUIDE SLEEVE	
16	72325328	2	TENSIONER BUSHING	
18	72325329	1	SLOTTED PLUG	
185	72325403	1	SAFE.LOCK AGENT	

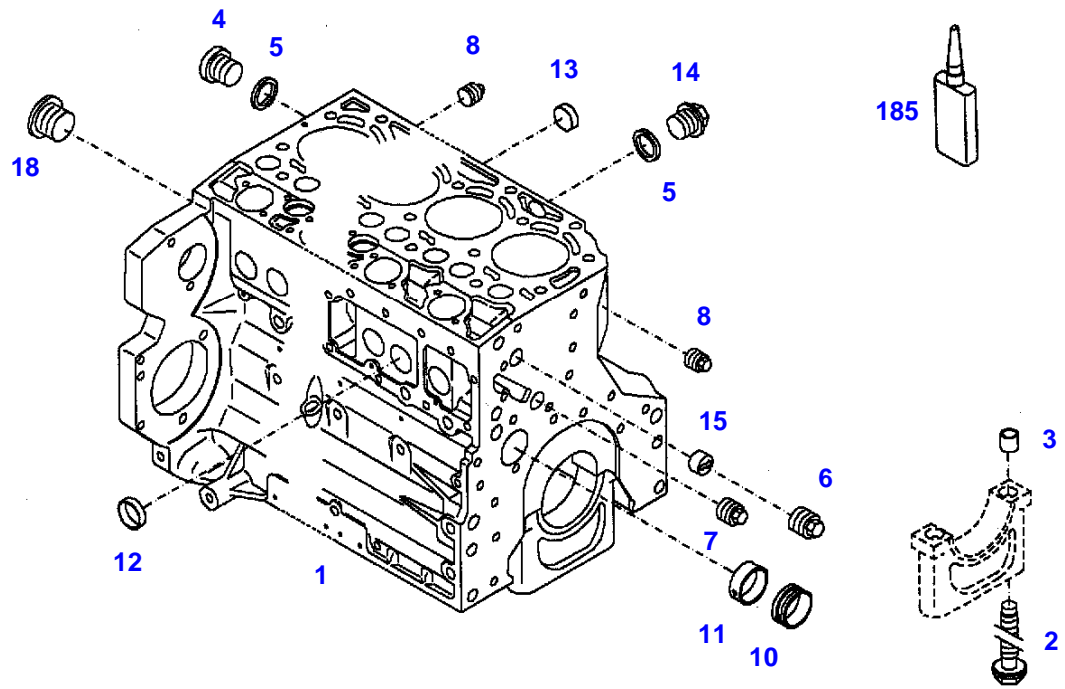
FARMER 308 (118/00101-00200 & 01001-05000)  
40410



040410

Item	Part Number	Qty	Description Comments	Technical Specification
			ENGINE NUMBER <-- 283621 --> 293211	
	72422072	1	ENGINE ENGINE NEW <-- Z118.200.010.010 ENGINE EXCHANGE	BF04M1012EC
1	72420748	1	CRANKCASE ><2-20 <-- F119.200.211.030 1X	
2	72344343	10	HEXAGONAL HEAD BOLT	
3	72344342	10	ADAPTER BUSH	
5	72315095	3	SEALING WASHER	DIN 7603 A14X20-CU
6	72325319	1	PLUG M30X1,5	
7	72325321	1	PLUG M22X1,5	
8	72325322	2	PLUG M14X1,5	
10	72325323	4	BEARING BUSHING	
11	72325324	1	BEARING BUSHING	
12	72325325	6	CORE HOLE PLUG	
13	72325326	4	CORE HOLE PLUG	
14	72315799	2	PLUG	DIN 7604 AM14X1,5-A3L
15	72325327	1	GUIDE SLEEVE	
18	72315438	1	PLUG SCREW	DIN 908 M14X1,5-ST
20	72325329	1	SLOTTED PLUG	
189	72381391	1	THREADLOCKER	LOCTITE 243 10ML

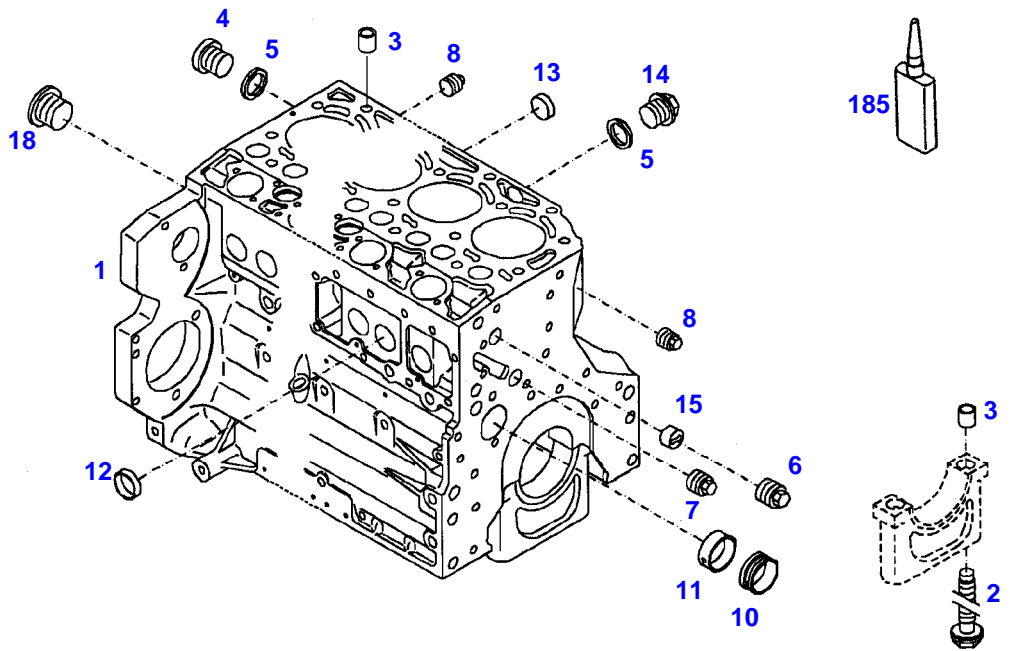
FARMER 308 (118/00101-00200 & 01001-05000)  
40094



040094

Item	Part Number	Qty	Description Comments	Technical Specification
			<b>ENGINE NUMBER</b> <-- 293212 --> 363116	
	72422072	1	ENGINE ENGINE NEW <-- Z118.200.010.010 ENGINE EXCHANGE	BF04M1012EC
1	72415946	1	CRANKCASE ><2-8,10-15,18	
2	72416467	10	HEXAGONAL HEAD BOLT	
3	72344342	10	ADAPTER BUSH	
4	72315438	1	PLUG SCREW	DIN 908 M14X1,5-ST
5	72315095	3	SEALING WASHER	DIN 7603 A14X20-CU
6	72325319	1	PLUG M30X1,5	
7	72325321	1	PLUG M22X1,5	
8	72325322	2	PLUG M14X1,5	
10	72416469	4	BEARING BUSHING	
11	72416470	1	BEARING BUSHING	
12	72325325	6	CORE HOLE PLUG	
13	72325326	4	CORE HOLE PLUG	
14	72315799	2	PLUG	DIN 7604 AM14X1,5-A3L
15	72325327	1	GUIDE SLEEVE	
18	72325329	1	SLOTTED PLUG	
185	72325403	1	SAFE.LOCK AGENT	

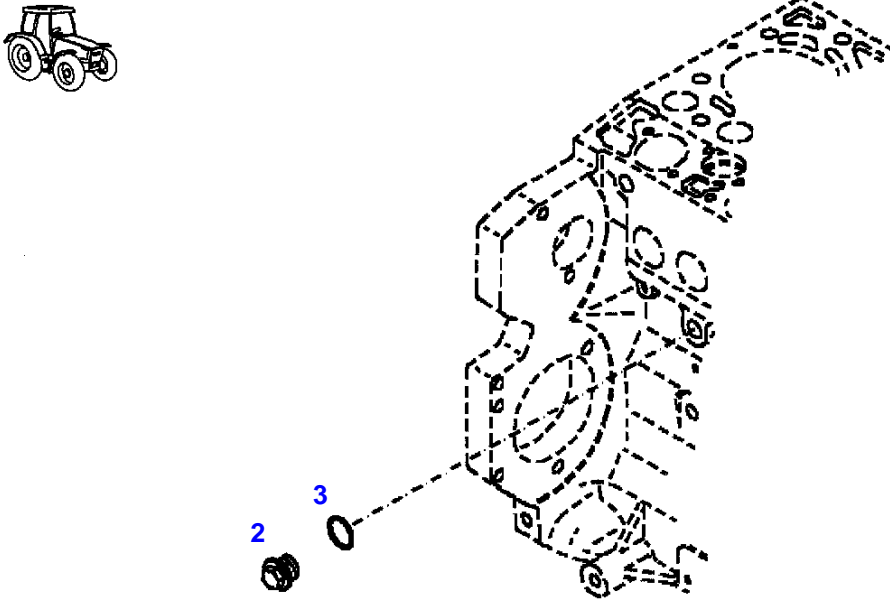
FARMER 308 (118/00101-00200 & 01001-05000)  
34194



034-194



Item	Part Number	Qty	Description Comments	Technical Specification
			<b>ENGINE NUMBER</b> <-- 363117	
	72422072	1	ENGINE ENGINE NEW <-- Z118.200.010.010 ENGINE EXCHANGE	BF04M1012EC
1	72432952	1	CRANKCASE ><2-8,10-15,18	
2	72416467	10	HEXAGONAL HEAD BOLT	
3	72344342	10	ADAPTER BUSH	
4	72315438	1	PLUG SCREW	DIN 908 M14X1,5-ST
5	72315095	3	SEALING WASHER	DIN 7603 A14X20-CU
6	72325319	1	PLUG M30X1,5	
7	72325321	1	PLUG	
8	72325322	2	PLUG M14X1,5 ENG.NO. --> 780289	
	72429347	2	SCREW M14X1,5 ENG.NO. <-- 780290	M14X1,5
10	72416469	4	BEARING BUSHING	
11	72416470	1	BEARING BUSHING	
12	72325325	6	CORE HOLE PLUG	
13	72325326	4	CORE HOLE PLUG	
14	72315799	2	PLUG	DIN 7604 AM14X1,5-A3L
15	72325327	1	GUIDE SLEEVE	
18	72416465	1	PLUG ENG.NO. --> 780289	
	72431135	1	LOCKING PLUG M22X1,5 ENG.NO. <-- 780290	
185	72325403	1	SAFE.LOCK AGENT	



6191E0

Fendt

FARMER 308 (118/00101-00200 & 01001-05000)

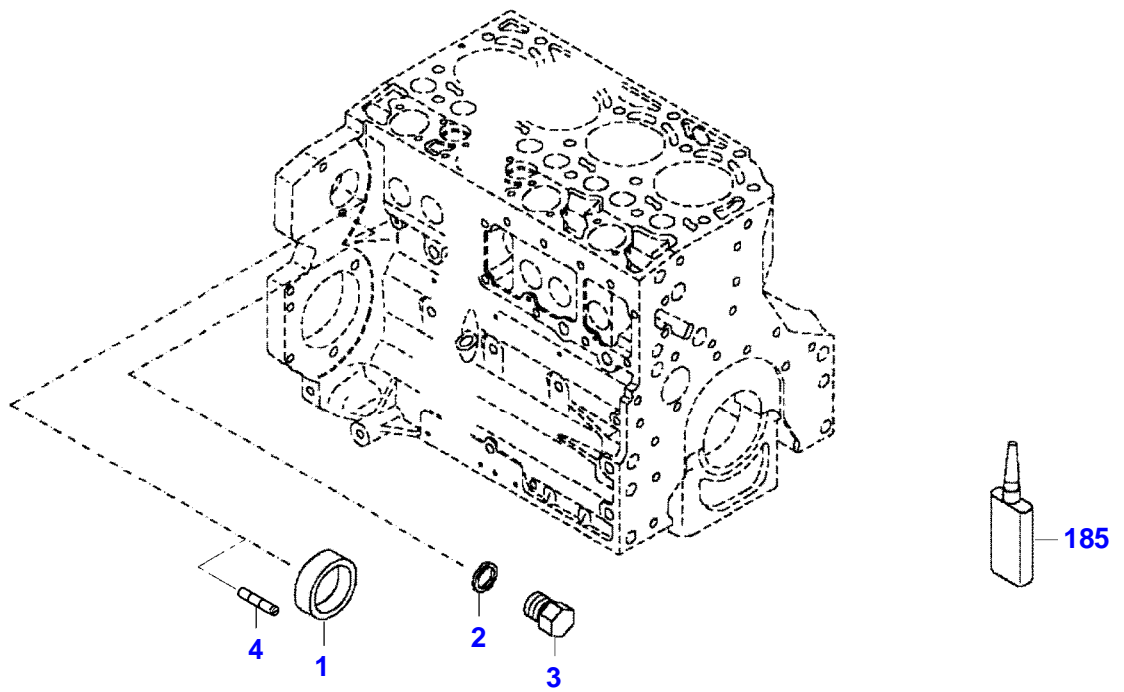
F118000

CRANKCASE

Page01-0006

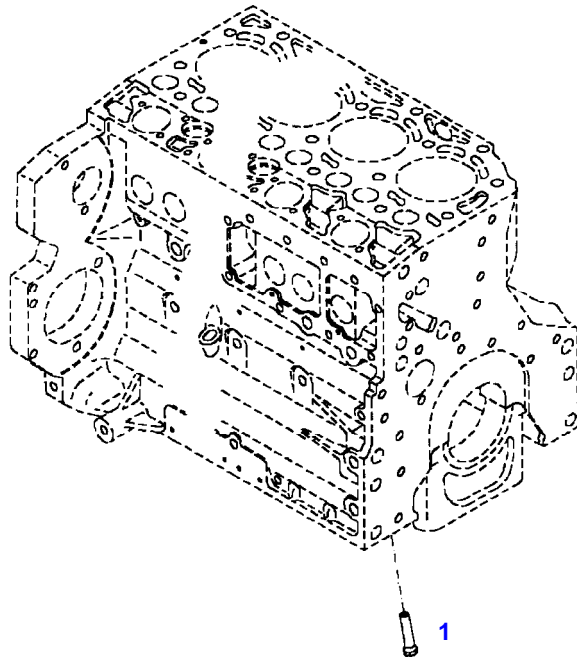
Item	Part Number	Qty	Description Comments	Technical Specification
<b>BLANKING PARTS</b>				
2	72315799	1	PLUG NOT NEEDED WITH AIR BRAKE	DIN 7604 AM14X1,5-A3L
3	72315094	1	SEALING WASHER NOT NEEDED WITH AIR BRAKE	DIN 7603 A14X18-CU

FARMER 308 (118/00101-00200 & 01001-05000)  
432327-M-1



432327-M-1

Item	Part Number	Qty	Description Comments	Technical Specification
<b>BLANKING PARTS</b>				
1	72627515	1	CORE HOLE PLUG	
2	72315088	2	SEALING WASHER	DIN 7603 A10X13,5-CU
3	72323677	2	PLUG	
4	72631860	2	SLUG	
185	72325403	1	SAFE.LOCK AGENT	



030004

---

Fendt

FARMER 308 (118/00101-00200 & 01001-05000)

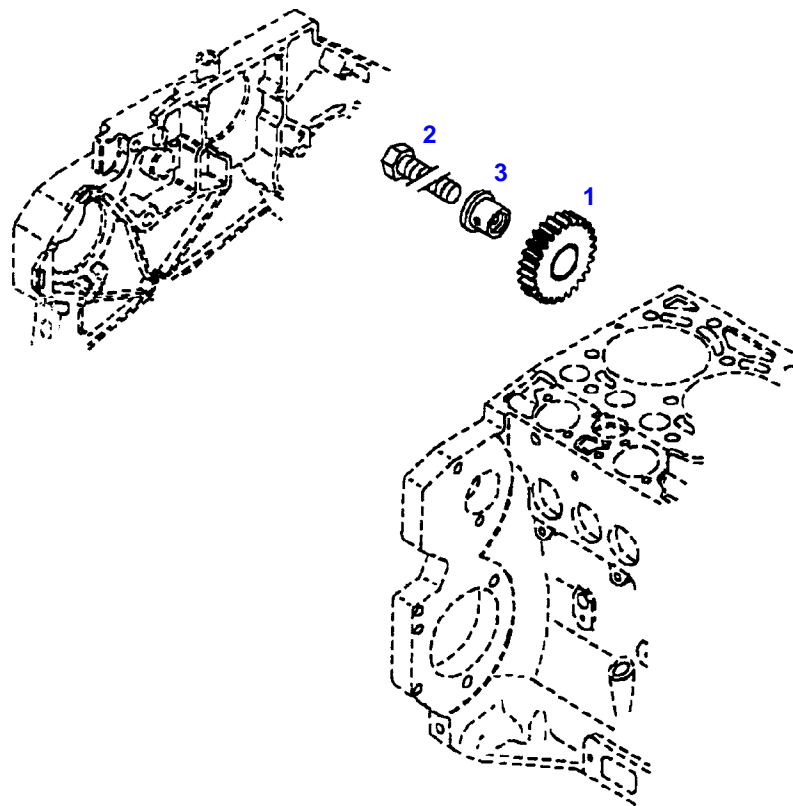
F118000

CRANKCASE

Page01-0008

---

Item	Part Number	Qty	Description Comments
			PISTON COOL.NOZZLE
1	72325334	1	PISTON COOLING JET



12057



Fendt

FARMER 308 (118/00101-00200 & 01001-05000)

F118000

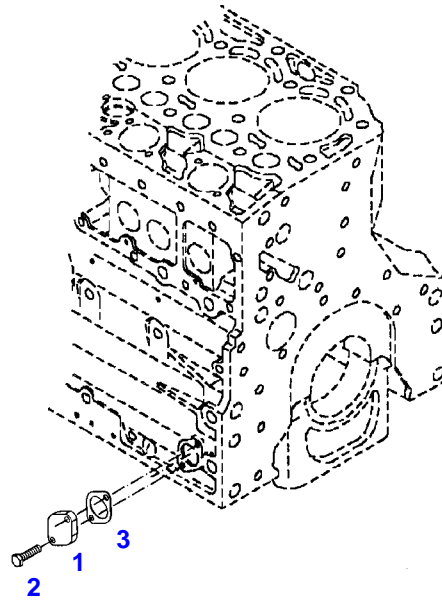
CRANKCASE

Page01-0009

Item	Part Number	Qty	Description Comments	Technical Specification
			<b>INTERM. GEAR WHEEL</b>	
1	72325335	1	GEAR WHEEL	
2	72315658	1	HEXAGONAL HEAD BOLT	DIN 933 M8X35-10.9
3	72325336	1	PIVOT	

FARMER 308 (118/00101-00200 & 01001-05000)  
31896

---



96810

Fendt

FARMER 308 (118/00101-00200 & 01001-05000)

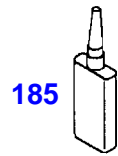
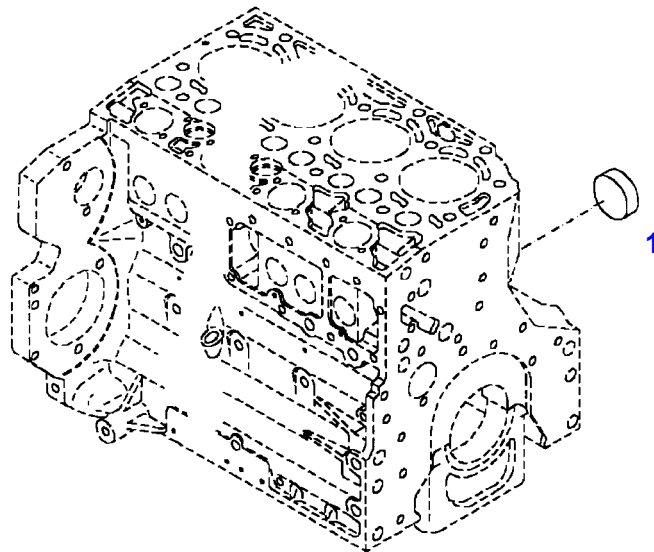
F118000

CRANKCASE

Page01-0010

Item	Part Number	Qty	Description Comments	Technical Specification
<b>BLANKING PARTS</b>				
1	72326910	1	COVER NOT NEEDED WITH AIR BRAKE	
2	72415315	2	HEXAGONAL HEAD BOLT NOT NEEDED WITH AIR BRAKE	M8X20
3	72325401	1	SEAL	

FARMER 308 (118/00101-00200 & 01001-05000)  
30097



030097

Thank you so much for reading.  
Please click the “Buy Now!”  
button below to download the  
complete manual.



After you pay.

You can download the most  
perfect and complete manual in  
the world immediately.

Our support email:

[ebooklibonline@outlook.com](mailto:ebooklibonline@outlook.com)