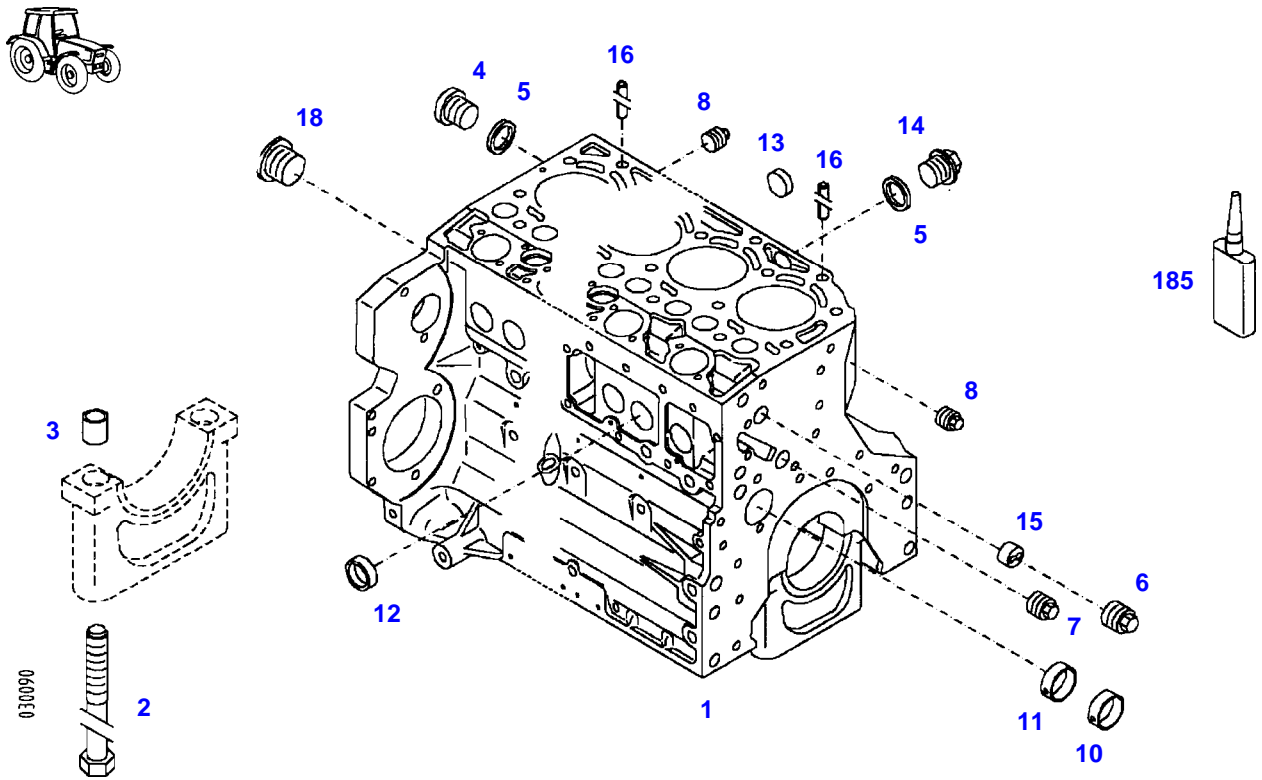


TABLE OF CONTENT

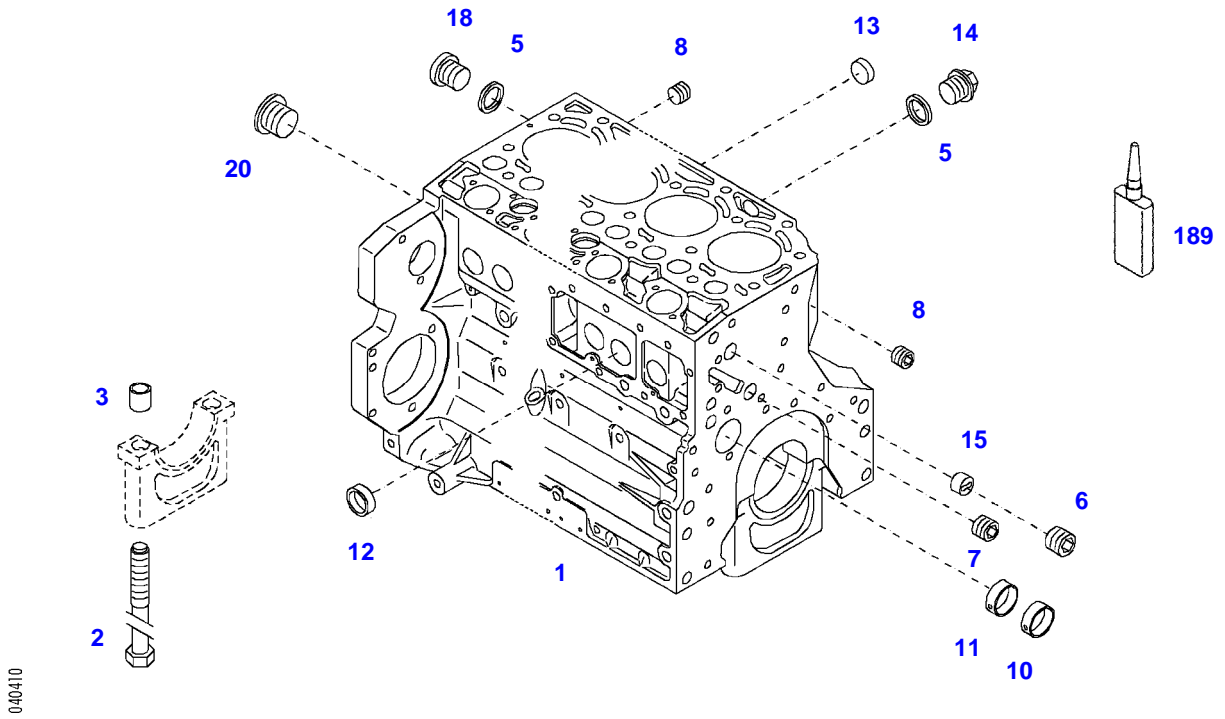
Page Number	Page Title	Page Reference
01-000-TOC	ENGINE, FUEL AND EXHAUST SYSTEM	01-000-TOC
02-000-TOC	AXLES	02-000-TOC
03-000-TOC	STEERING SYSTEM	03-000-TOC
04-000-TOC	DRIVE TRAIN SYSTEM	04-000-TOC
05-000-TOC	COMPRESSED AIR SYSTEM	05-000-TOC
06-000-TOC	HYDRAULIC SYSTEM	06-000-TOC
07-000-TOC	ELECTRICAL SYSTEM	07-000-TOC
08-000-TOC	CAB	08-000-TOC
09-000-TOC	AIR CONDITIONING AND HEATING SYSTEM	09-000-TOC
10-000-TOC	CHASSIS	10-000-TOC
11-000-TOC	WHEELS	11-000-TOC
12-000-TOC	IMPLEMENT LIFT SYSTEM FRONT	12-000-TOC
13-000-TOC	IMPLEMENT LIFT SYSTEM REAR	13-000-TOC
14-000-TOC	FRONT/REAR LOADERS	14-000-TOC
15-000-TOC	ACCESSORIES	15-000-TOC

FARMER 309 (119/00101-00200 & 01001-05000)
30090



Item	Part Number	Qty	Description Comments	Technical Specification
			ENGINE NUMBER --> 284413	
	72422073	1	ENGINE ENGINE NEW <-- Z119.200.010.010 ENGINE EXCHANGE	BF04M1012EC
1	72325320	1	CRANKCASE ><2-8,10-16,18 <-- F119200211150 <>	
	72415953	1	CAMSHAFT	
	72415954	8	TAPPET	
	72420784	2	BUSH	
	72415941	2	GEAR WHEEL	
	72415940	2	PIVOT	
	72415942	2	FIXING SHIM	
	72423136	2	COUNTERSUNK CAPSCREW	
	72415943	2	THRUST WASHER	
	72423137	2	HEXAGONAL HEAD BOLT	
	72415945	2	PIVOT	
	72423138	1	SEAL	
2	72344343	10	HEXAGONAL HEAD BOLT	
3	72344342	10	ADAPTER BUSH	
4	72315438	1	PLUG SCREW	DIN 908 M14X1,5-ST
5	72315095	3	SEALING WASHER	DIN 7603 A14X20-CU
6	72325319	1	PLUG M30X1,5	
7	72325321	1	PLUG M22X1,5	
8	72325322	2	PLUG M14X1,5	
10	72325323	4	BEARING BUSHING	
11	72325324	1	BEARING BUSHING	
12	72325325	6	CORE HOLE PLUG	
13	72325326	4	CORE HOLE PLUG	
14	72315799	2	PLUG	DIN 7604 AM14X1,5-A3L
15	72325327	1	GUIDE SLEEVE	
16	72325328	2	TENSIONER BUSHING	
18	72325329	1	SLOTTED PLUG	
185	72325403	1	SAFE.LOCK AGENT	

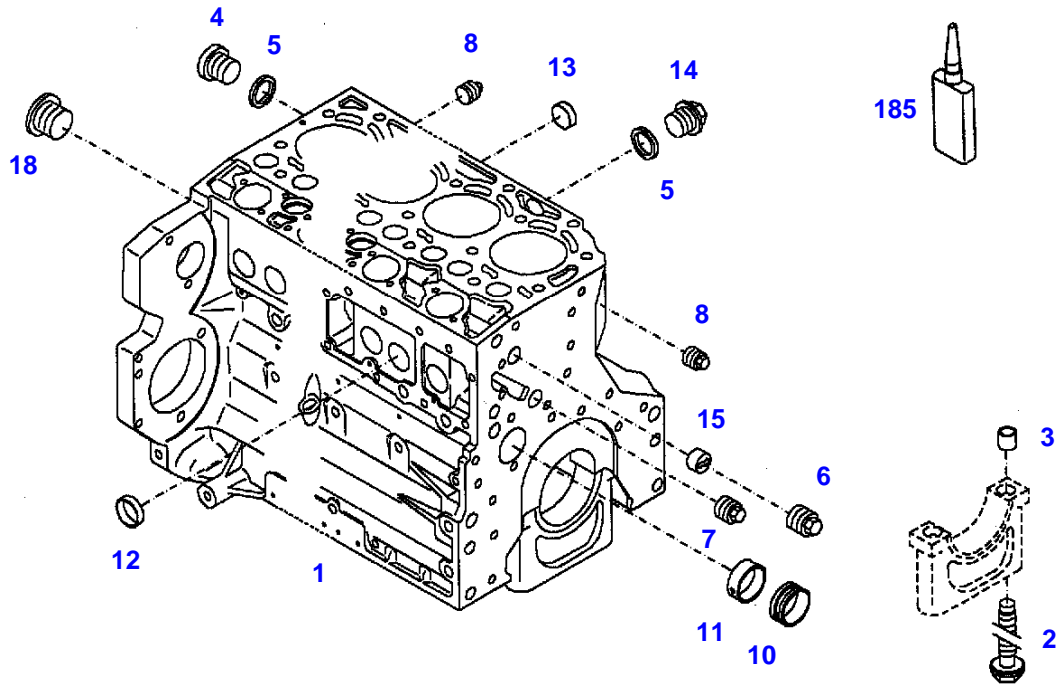
FARMER 309 (119/00101-00200 & 01001-05000)
40410



040410

Item	Part Number	Qty	Description Comments	Technical Specification
			ENGINE NUMBER <-- 284414 --> 288171	
	72422073	1	ENGINE ENGINE NEW <-- Z119.200.010.010 ENGINE EXCHANGE	BF04M1012EC
1	72420748	1	CRANKCASE ><2-20 <-- F119.200.211.030 1X	
2	72344343	10	HEXAGONAL HEAD BOLT	
3	72344342	10	ADAPTER BUSH	
5	72315095	3	SEALING WASHER	DIN 7603 A14X20-CU
6	72325319	1	PLUG M30X1,5	
7	72325321	1	PLUG M22X1,5	
8	72325322	2	PLUG M14X1,5	
10	72325323	4	BEARING BUSHING	
11	72325324	1	BEARING BUSHING	
12	72325325	6	CORE HOLE PLUG	
13	72325326	4	CORE HOLE PLUG	
14	72315799	2	PLUG	DIN 7604 AM14X1,5-A3L
15	72325327	1	GUIDE SLEEVE	
18	72315438	1	PLUG SCREW	DIN 908 M14X1,5-ST
20	72325329	1	SLOTTED PLUG	
189	72381391	1	THREADLOCKER	LOCTITE 243 10ML

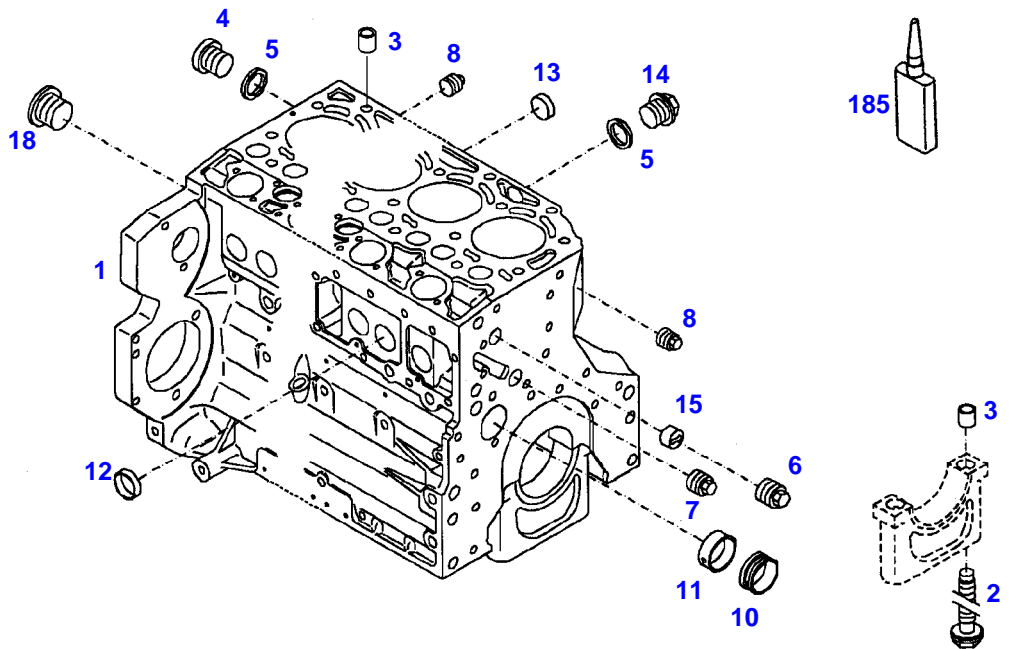
FARMER 309 (119/00101-00200 & 01001-05000)
40094



040094

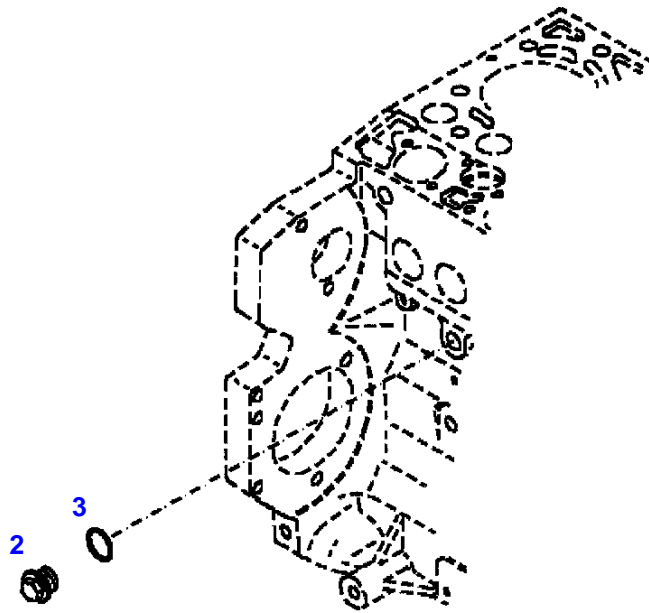
Item	Part Number	Qty	Description Comments	Technical Specification
			ENGINE NUMBER <-- 288172 --> 360264	
	72422073	1	ENGINE ENGINE NEW <-- Z119.200.010.010 ENGINE EXCHANGE	BF04M1012EC
1	72415946	1	CRANKCASE ><2-8,10-15,18	
2	72416467	10	HEXAGONAL HEAD BOLT	
3	72344342	10	ADAPTER BUSH	
4	72315438	1	PLUG SCREW	DIN 908 M14X1,5-ST
5	72315095	3	SEALING WASHER	DIN 7603 A14X20-CU
6	72325319	1	PLUG M30X1,5	
7	72325321	1	PLUG M22X1,5	
8	72325322	2	PLUG M14X1,5	
10	72416469	4	BEARING BUSHING	
11	72416470	1	BEARING BUSHING	
12	72325325	6	CORE HOLE PLUG	
13	72325326	4	CORE HOLE PLUG	
14	72315799	2	PLUG	DIN 7604 AM14X1,5-A3L
15	72325327	1	GUIDE SLEEVE	
18	72325329	1	SLOTTED PLUG	
185	72325403	1	SAFE.LOCK AGENT	

FARMER 309 (119/00101-00200 & 01001-05000)
34194



034-194

Item	Part Number	Qty	Description Comments	Technical Specification
			ENGINE NUMBER <-- 360265	
	72422073	1	ENGINE ENGINE NEW <-- Z119.200.010.010 ENGINE EXCHANGE	BF04M1012EC
1	72432952	1	CRANKCASE ><2-8,10-15,18	
2	72416467	10	HEXAGONAL HEAD BOLT	
3	72344342	10	ADAPTER BUSH	
4	72315438	1	PLUG SCREW	DIN 908 M14X1,5-ST
5	72315095	3	SEALING WASHER	DIN 7603 A14X20-CU
6	72325319	1	PLUG M30X1,5	
7	72325321	1	PLUG	
8	72325322	2	PLUG M14X1,5 ENG.NO. --> 780289	
	72429347	2	SCREW M14X1,5 ENG.NO. <-- 780290	M14X1,5
10	72416469	4	BEARING BUSHING	
11	72416470	1	BEARING BUSHING	
12	72325325	6	CORE HOLE PLUG	
13	72325326	4	CORE HOLE PLUG	
14	72315799	2	PLUG	DIN 7604 AM14X1,5-A3L
15	72325327	1	GUIDE SLEEVE	
18	72416465	1	PLUG ENG.NO. --> 780289	
	72431135	1	LOCKING PLUG M22X1,5 ENG.NO. <-- 780290	
185	72325403	1	SAFE.LOCK AGENT	



6191E0

Fendt

FARMER 309 (119/00101-00200 & 01001-05000)

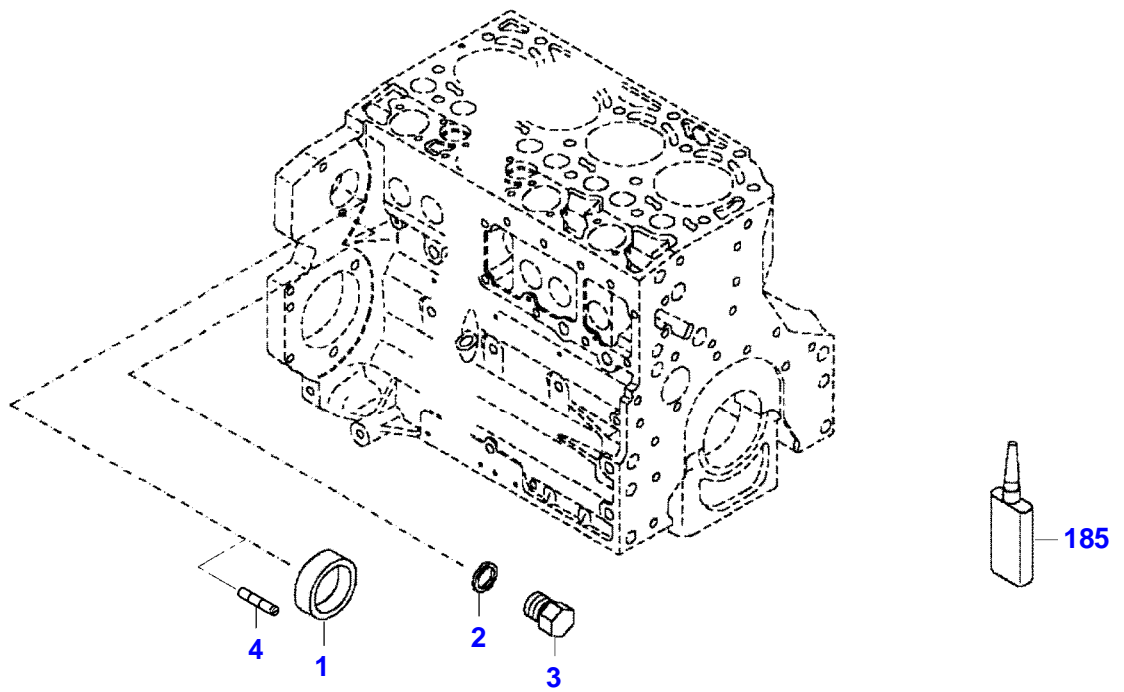
F119000

CRANKCASE

Page01-0006

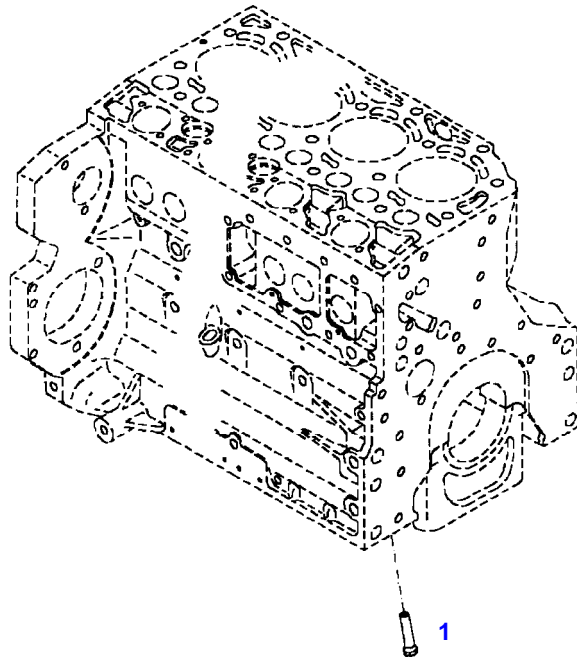
Item	Part Number	Qty	Description Comments	Technical Specification
BLANKING PARTS				
2	72315799	1	PLUG NOT NEEDED WITH AIR BRAKE	DIN 7604 AM14X1,5-A3L
3	72315094	1	SEALING WASHER NOT NEEDED WITH AIR BRAKE	DIN 7603 A14X18-CU

FARMER 309 (119/00101-00200 & 01001-05000)
432327-M-1



432327-M-1

Item	Part Number	Qty	Description Comments	Technical Specification
BLANKING PARTS				
1	72627515	1	CORE HOLE PLUG	
2	72315088	2	SEALING WASHER	DIN 7603 A10X13,5-CU
3	72323677	2	PLUG	
4	72631860	2	SLUG	
185	72325403	1	SAFE.LOCK AGENT	



030004

Fendt

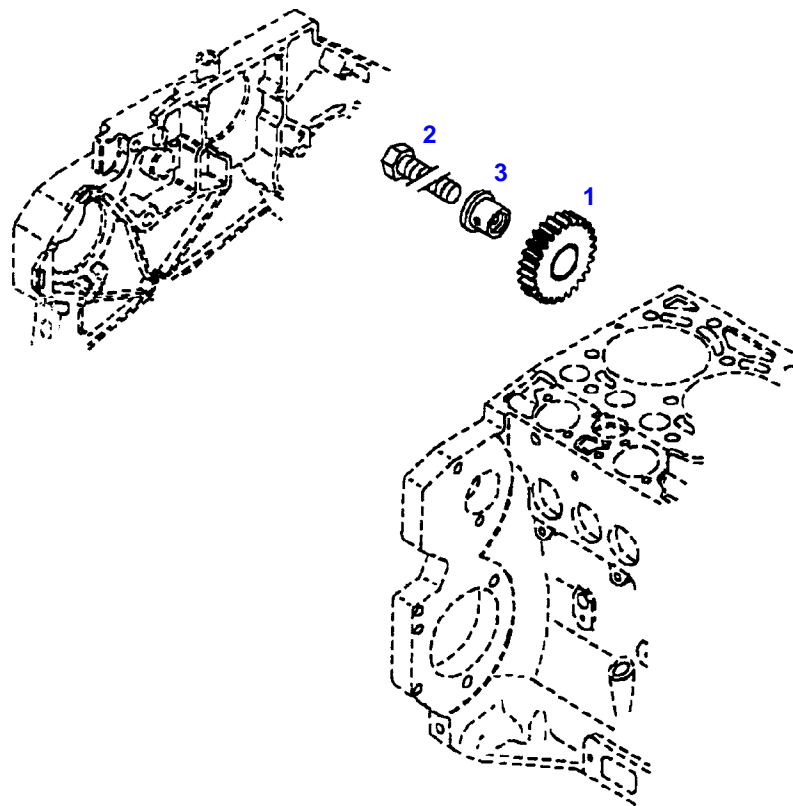
FARMER 309 (119/00101-00200 & 01001-05000)

F119000

CRANKCASE

Page01-0008

Item	Part Number	Qty	Description Comments
			PISTON COOL.NOZZLE
1	72325334	1	PISTON COOLING JET



12057

Fendt

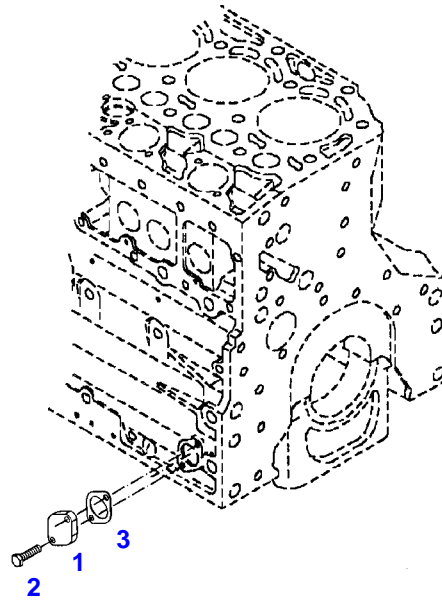
FARMER 309 (119/00101-00200 & 01001-05000)

F119000

CRANKCASE

Page01-0009

Item	Part Number	Qty	Description Comments	Technical Specification
			INTERM. GEAR WHEEL	
1	72325335	1	GEAR WHEEL	
2	72315658	1	HEXAGONAL HEAD BOLT	DIN 933 M8X35-10.9
3	72325336	1	PIVOT	



96810

Fendt

FARMER 309 (119/00101-00200 & 01001-05000)

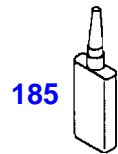
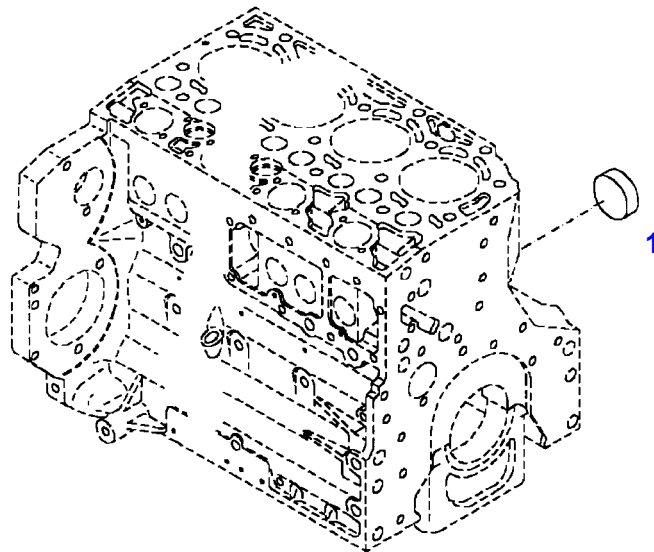
F119000

CRANKCASE

Page01-0010

Item	Part Number	Qty	Description Comments	Technical Specification
BLANKING PARTS				
1	72326910	1	COVER NOT NEEDED WITH AIR BRAKE	
2	72415315	2	HEXAGONAL HEAD BOLT NOT NEEDED WITH AIR BRAKE	M8X20
3	72325401	1	SEAL	

FARMER 309 (119/00101-00200 & 01001-05000)
30097



030097

Fendt

FARMER 309 (119/00101-00200 & 01001-05000)

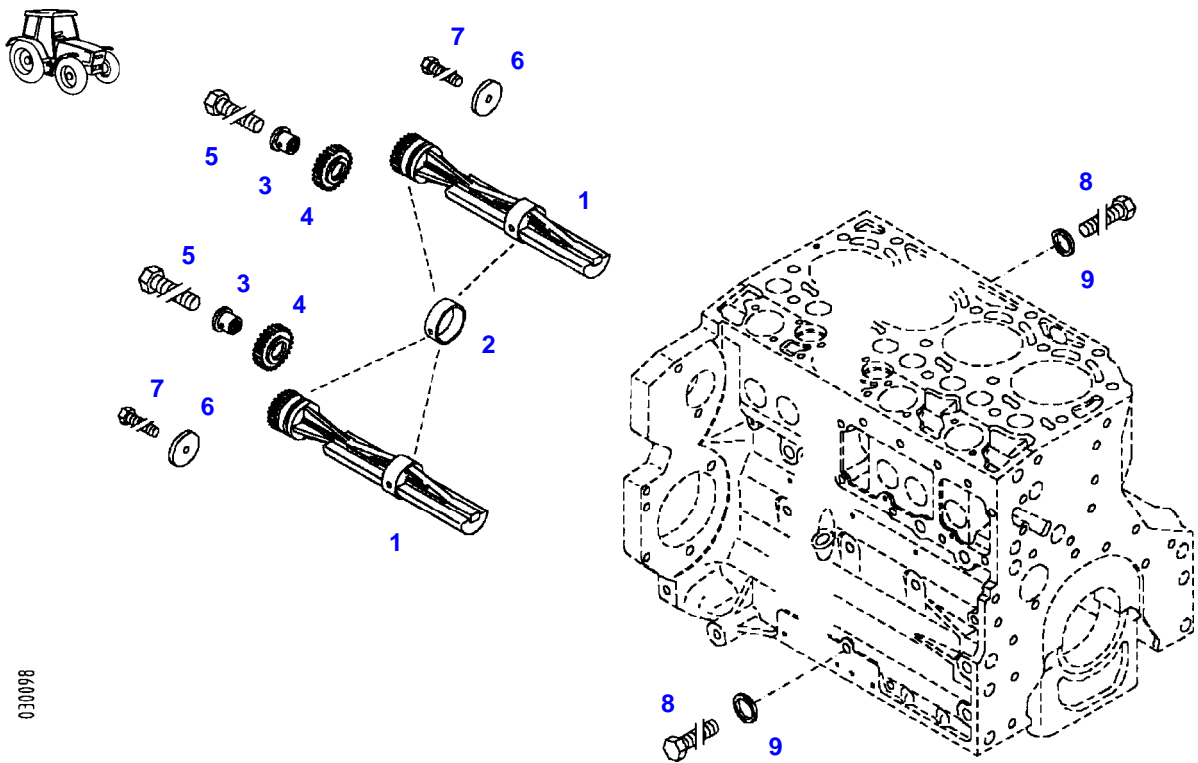
F119000

CRANKCASE

Page01-0011

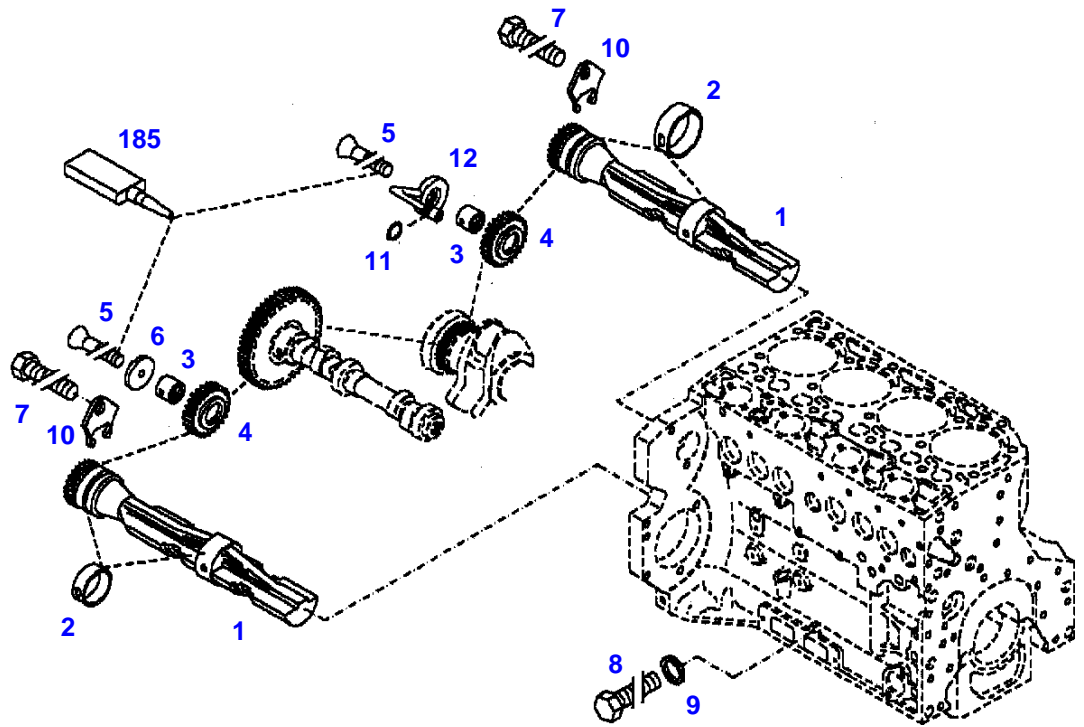
Item	Part Number	Qty	Description Comments
			LOCKING PLUG
1	72325337	1	CORE HOLE PLUG
185	72325403	1	SAFE.LOCK AGENT

FARMER 309 (119/00101-00200 & 01001-05000)
30098



8600E0

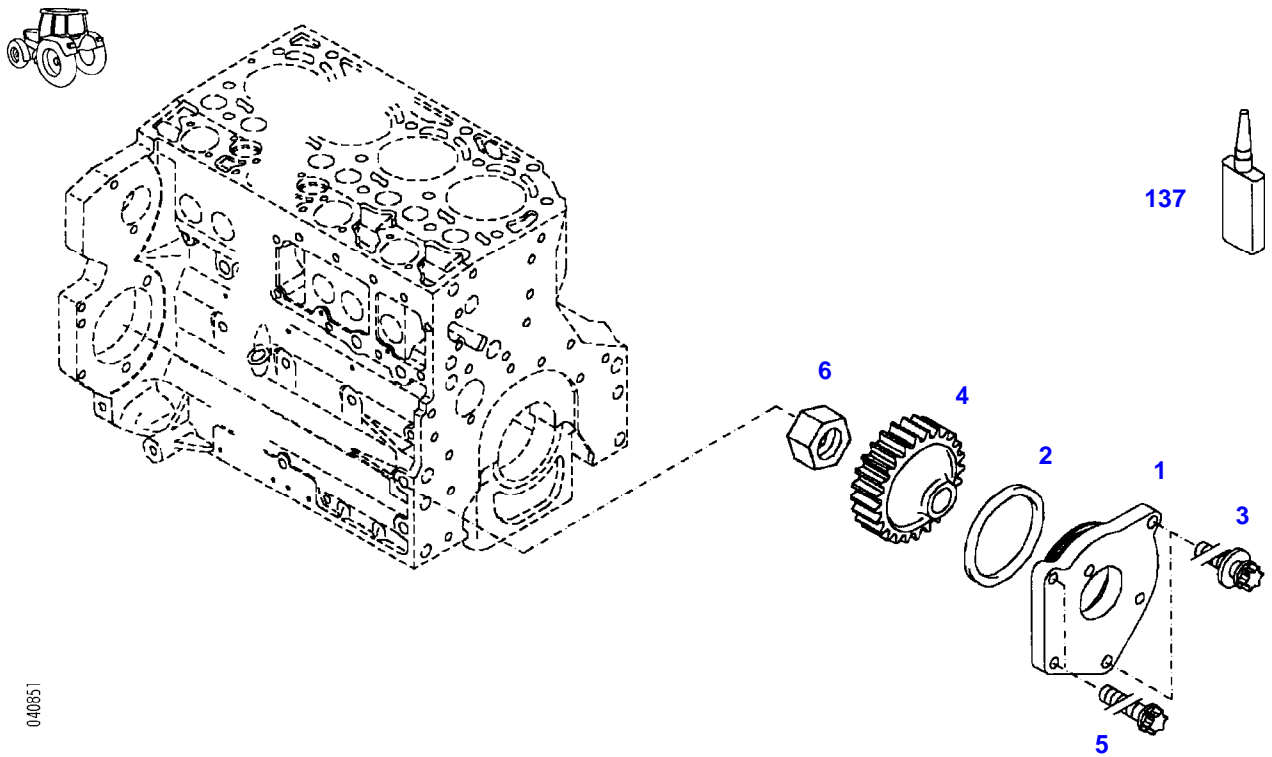
Item	Part Number	Qty	Description Comments	Technical Specification
			ENGINE NUMBER --> 296326	
1	72325338	2	GANG SHAFT	
2	72325339	4	BUSH	
3	72325336	2	PIVOT	
4	72325340	2	GEAR WHEEL	
5	72315658	2	HEXAGONAL HEAD BOLT	DIN 933 M8X35-10.9
6	72325341	2	THRUST WASHER	
7	72374416	2	HEXAGONAL HEAD BOLT	DIN 933 M8X16-10.9A4C
8	72315644	2	HEXAGONAL HEAD BOLT	DIN 933 M8X10-8.8A3L
9	72315086	2	SEALING WASHER	DIN 7603 A8X11,5-CU



031426

Item	Part Number	Qty	Description Comments	Technical Specification
			ENGINE NUMBER <-- 296327	
1	72325338	2	GANG SHAFT	
2	72325339	4	BUSH	
3	72415940	2	PIVOT	
4	72415941	2	GEAR WHEEL	
5	72423136	2	COUNTERSUNK CAPSCREW M8X45	
6	72415942	2	FIXING SHIM	
7	72423137	2	HEXAGONAL HEAD BOLT M8X16	
8	72315643	2	HEXAGONAL HEAD BOLT	DIN 933 M8X10-8.8
9	72315086	2	SEALING WASHER	DIN 7603 A8X11,5-CU
10	72415943	2	THRUST WASHER	
11	72423138	1	SEAL 7X1,5MM	
12	72415945	1	PIVOT	
185	72381391	1	THREADLOCKER	LOCTITE 243 10ML

FARMER 309 (119/00101-00200 & 01001-05000)
40851



Fendt

FARMER 309 (119/00101-00200 & 01001-05000)

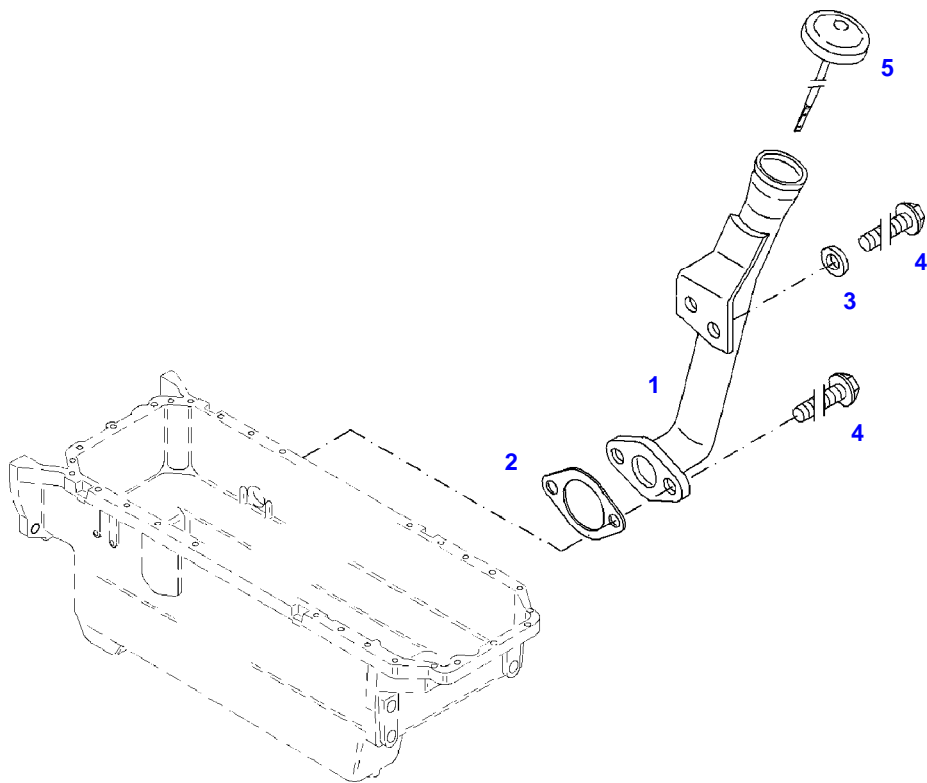
F119000

PUMP DRIVE

Page01-0014

Item	Part Number	Qty	Description Comments
1	72601858	1	INTERMEDIATE FLANGE
2	72325343	1	SEAL 95X3,55MM
3	72325344	2	TORX SCREW M8X30
4	72325345	1	GEAR WHEEL
5	72325346	2	TORX SCREW M10X30
6	72323713	1	NUT
137	72325407	1	SAFE.LOCK AGENT

FARMER 309 (119/00101-00200 & 01001-05000)
41019



041019

Fendt

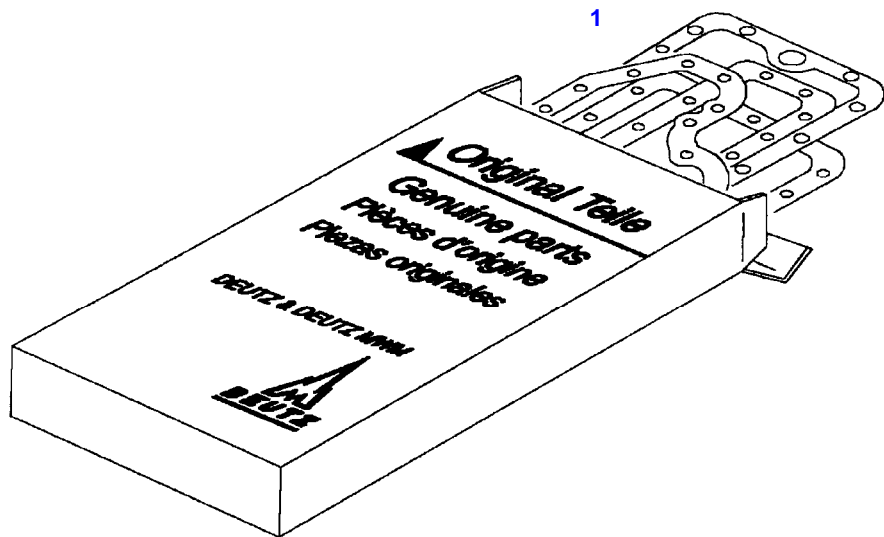
FARMER 309 (119/00101-00200 & 01001-05000)

F119000

OIL FILLER

Page01-0015

Item	Part Number	Qty	Description Comments	Technical Specification
1	72325400	1	OIL FILLER NECK	
2	72325401	1	SEAL	
3	72325402	1	DISC	
4	72415315	3	HEXAGONAL HEAD BOLT	M8X20
			M8X20	
5	72325412	1	FILLER LOCK	



030100

Fendt

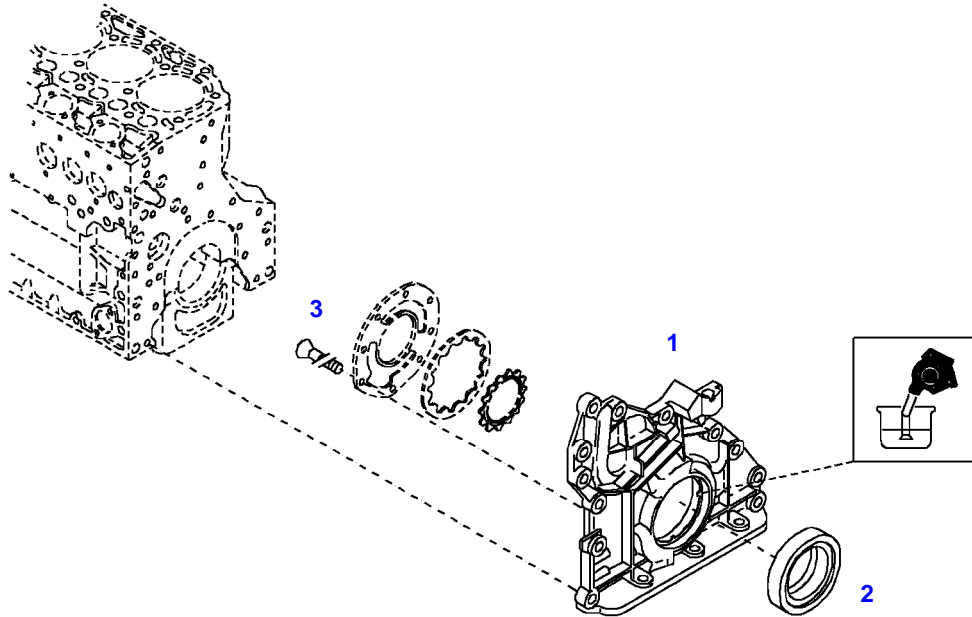
FARMER 309 (119/00101-00200 & 01001-05000)

F119000

SET OF GASKETS

Page01-0016

Item	Part Number	Qty	Description Comments
			ENGINE
1	72325347	1	SEAL KIT WITHOUT CYLINDER HEAD GASKET



040475

Fendt

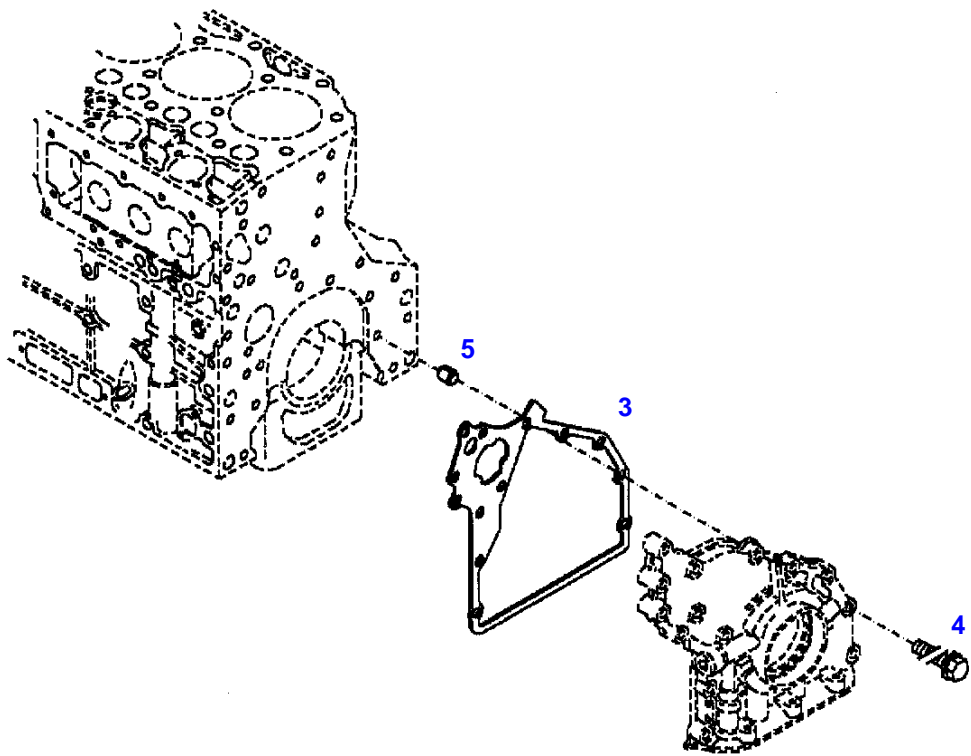
FARMER 309 (119/00101-00200 & 01001-05000)

F119000

FRONT COVER

Page01-0017

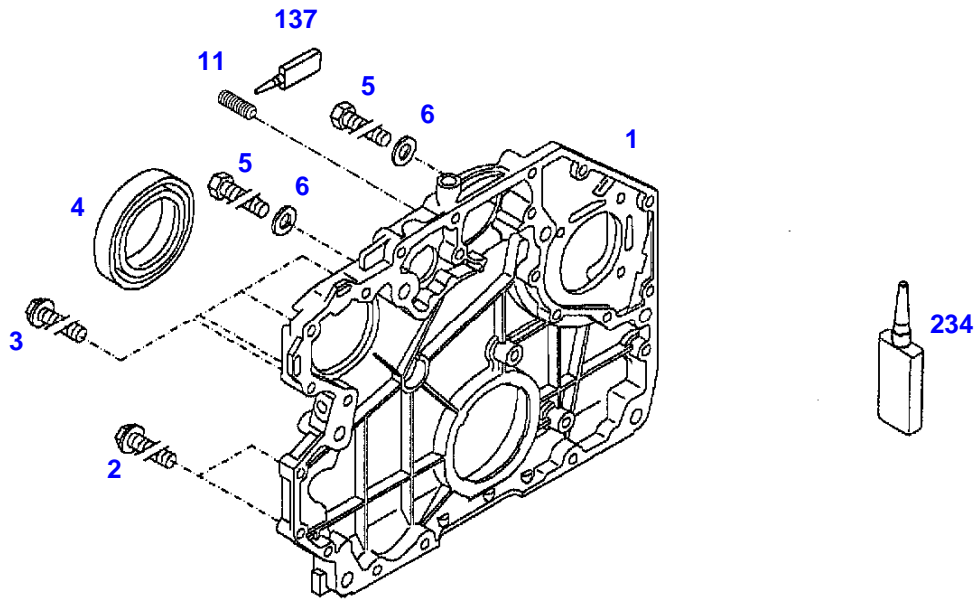
Item	Part Number	Qty	Description Comments
			INTEGRATED OIL PUMP
1	72325348	1	CRANKCASE END COVER INTEGRATED OIL PUMP ><2,3
2	72479487	1	SHAFT SEAL
3	72416228	8	COUNTERSUNK CAPSCREW M6X16



031470

Item	Part Number	Qty	Description Comments	Technical Specification
FASTENINGS				
3	72486511	1	SEAL	
4	72605244	12	HEXAGONAL HEAD BOLT M8X35	M8X35
5	72325352	1	TENSIONER BUSHING	

FARMER 309 (119/00101-00200 & 01001-05000)
31384



031384

Item	Part Number	Qty	Description Comments	Technical Specification
			ENGINE NUMBER --> 654531	
1	72414977	1	WHEEL BOX <-- 119/0101 --> 119/0200	
	72618802	1	WHEEL BOX <-- 119/1001	
2	72605244	12	HEXAGONAL HEAD BOLT M8X35	M8X35
3	72325388	4	HEXAGONAL HEAD BOLT M8X45	
4	72479495	1	SHAFT SEAL	
5	72315739	2	HEXAGONAL HEAD BOLT	DIN 933 M16X60 GWA-10.9
6	72311793	2	DISC	DIN 125-17-ST.A3L
11	72420381	X	THREADED PIN ENG.NO. <-- 506013	DIN 913-M6X10-45H
137	72325407	1	SAFE.LOCK AGENT	
234	72325408	1	SEALING COMPOUND	

Thank you so much for reading.
Please click the “Buy Now!”
button below to download the
complete manual.



After you pay.

You can download the most
perfect and complete manual in
the world immediately.

Our support email:

ebooklibonline@outlook.com