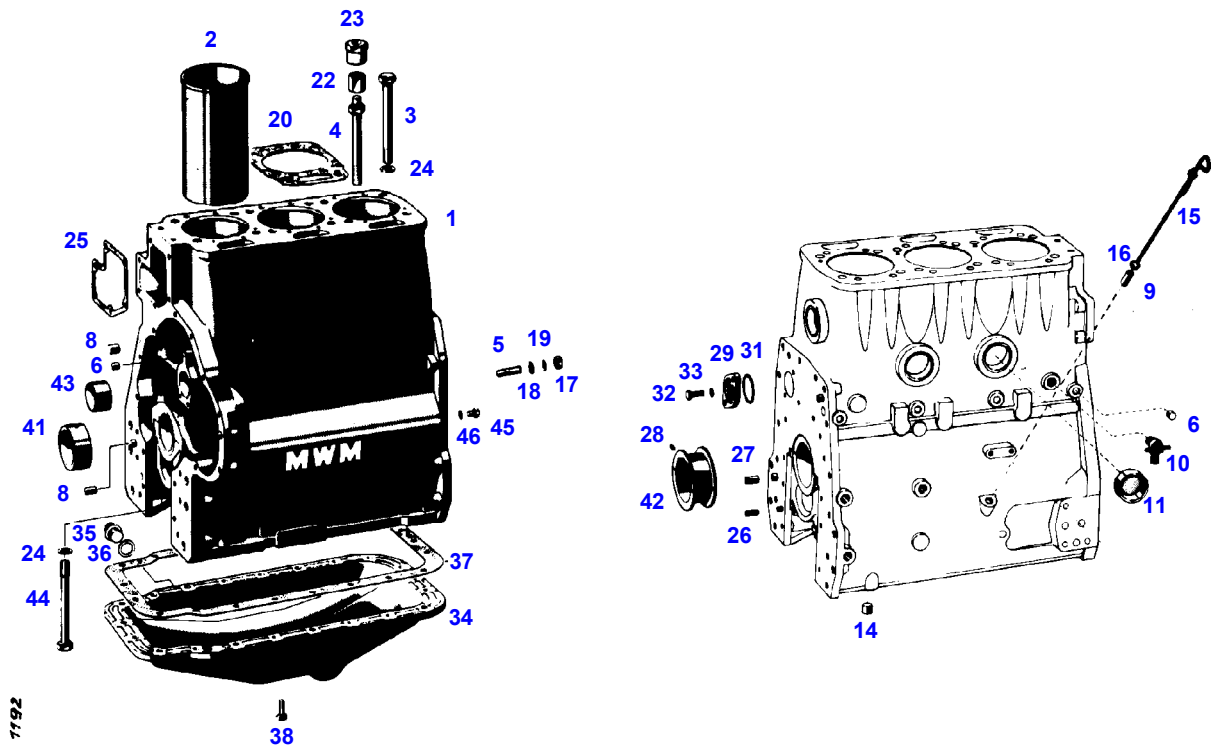


TABLE OF CONTENT

Page Number	Page Title	Page Reference
01-000-TOC	ENGINE, FUEL AND EXHAUST SYSTEM	01-000-TOC
02-000-TOC	AXLES	02-000-TOC
03-000-TOC	STEERING SYSTEM	03-000-TOC
04-000-TOC	DRIVE TRAIN SYSTEM	04-000-TOC
05-000-TOC	COMPRESSED AIR SYSTEM	05-000-TOC
06-000-TOC	HYDRAULIC SYSTEM	06-000-TOC
07-000-TOC	ELECTRICAL SYSTEM	07-000-TOC
08-000-TOC	CAB	08-000-TOC
09-000-TOC	CHASSIS	09-000-TOC
10-000-TOC	WHEELS	10-000-TOC
11-000-TOC	IMPLEMENT LIFT SYSTEM FRONT	11-000-TOC
12-000-TOC	IMPLEMENT LIFT SYSTEM REAR	12-000-TOC
13-000-TOC	FRONT/REAR LOADERS	13-000-TOC
14-000-TOC	ATTACHMENTS	14-000-TOC
15-000-TOC	ACCESSORIES	15-000-TOC

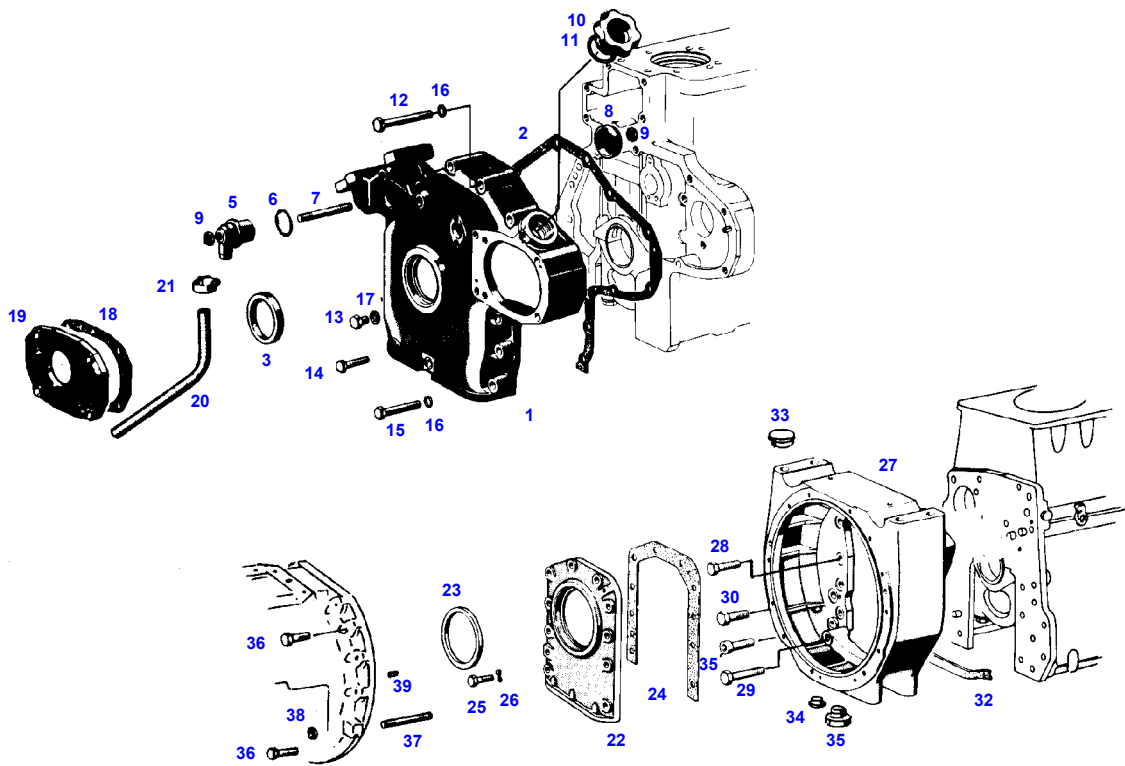
FARMER 103 (138/11401-99999)
1192



Item	Part Number	Qty	Description Comments	Technical Specification
			<-- 138/11401	
1	72334903	1	CRANKCASE ><2,4,6-11,14,23,24,28,43,44 --> 138/17287	
	72326266	1	CRANKCASE ><2,4,6-11,14,23,24,28,43,44 <-- 138/17288	
2	72331774	3	CYLINDER LINER HONED AFTER MOUNTING	
	72331777	3	CYLINDER LINER FINISHED SIZE	
	72331778	3	CYLINDER LINER FINISHED SIZE HIGH TIN COLLAR	
3	72326267	8	HEXAGONAL HEAD BOLT	
4	72326268	4	HEXAGONAL HEAD BOLT	
5	72313777	4	STUD BOLT	DIN 939 M10X35-8.8
6	72327772	6	PLUG	
8	72327773	3	PLUG	
9	72326139	1	PIPE PIECE <>	
	72334253	1	DIPSTICK	
10	72378063	1	RELIEF VALVE	DIN71401-CM14X1,5KEG
11	72377226	3	COVER 50 MM	DIN 443-50
	72377227	3	COVER 52 MM	DIN 443-52
14	72327068	2	PLUG	
15	72334253	1	DIPSTICK <>	
	72326139	1	PIPE PIECE	
16	72376384	1	O-RING	7,3X2,4
	72331327	1	SEALING WASHER	
17	72372811	4	NUT	DIN 934 M10-10A3L
18	72311789	4	DISC	DIN 125-10,5-ST.A3L
19	72375420	4	TOOTHLOCK WASHER	DIN 6797 A10,5
20	72331766	3	CYLINDER HEAD GASKET --> 138/17287	
	72326269	3	CYLINDER HEAD GASKET <-- 138/17288	
22	72419370	3	NUT	
23	72331775	1	NUT	
24	72324592	20	DISC	
25	72327043	1	MOLDED SEAL	
26	72313859	4	CYLINDER PIN	DIN 7-8M6X18-ST50K
27	72313864	2	CYLINDER PIN --> 138/17287	DIN 7-10M6X20-9SMN28K
	72375324	2	CYLINDER PIN <-- 138/17288	DIN 7-10M6X28-ST50K
28	72375130	4	TENSIONING PIN	ISO8752-4X8-A-ST-ZNPH
29	72343896	1	COVER	
31	72376544	1	O-RING	42,2X3-NBR 70 FWN56402
32	72315650	2	HEXAGONAL HEAD BOLT	DIN 933 M8 X 20-8.8A3L
33	72317121	2	SPRING WASHER	DIN 137 B8-MECH.VZK
34	72326134	1	OIL PAN ><35,36	
35	72373986	1	SCREW	
36	72332580	1	SEALING WASHER	
37	72327044	1	MOLDED SEAL	
38	72604456	21	HEXAGONAL HEAD BOLT <>	DIN 933 M8X18 8.8
	72321257	1	DISC	

Item	Part Number	Qty	Description Comments	Technical Specification
41	72327045	3	MAIN BEARING SHELL 65,00 MM --> 138/17287	
	72327073	3	MAIN BEARING SHELL 64,75 MM --> 138/17287	
	72327074	3	MAIN BEARING SHELL 64,50 MM --> 138/17287	
	72327075	3	MAIN BEARING SHELL 64,25 MM --> 138/17287	
	72327076	3	MAIN BEARING SHELL 64,00 MM --> 138/17287	
	72341078	4	MAIN BEARING 70,00 MM <-- 138/17288	
	72341079	4	MAIN BEARING 69,75 MM <-- 138/17288	
	72341080	4	MAIN BEARING 69,50 MM <-- 138/17288	
	72341081	4	MAIN BEARING 69,25 MM <-- 138/17288	
	72341082	4	MAIN BEARING 69,00 MM <-- 138/17288	
42	72327046	1	TIGHT-FIT BEARING SHELL 65,00 MM --> 138/17287	
	72327077	1	TIGHT-FIT BEARING SHELL 64,75 MM --> 138/17287	
	72327078	1	TIGHT-FIT BEARING SHELL 64,50 MM --> 138/17287	
	72327079	1	TIGHT-FIT BEARING SHELL 64,25 MM --> 138/17287	
	72343910	2	THRUST RING 70,00 MM <-- 138/17288	
	72343911	2	THRUST RING 69,75 MM <-- 138/17288	
43	72330749	1	BUSH	
44	72327081	8	HEXAGONAL HEAD BOLT	
45	72315644	1	HEXAGONAL HEAD BOLT	DIN 933 M8X10-8.8A3L
46	72315087	1	SEALING WASHER	DIN 7603 A8X14-CU
	72376227	1	SEAL KIT WITHOUT CYLINDER HEAD GASKET NOT ILLUSTRATED --> 138/17287	D226-3M.W
			NO LONGER AVAILABLE NOT ILLUSTRATED <-- 138/17288	

FARMER 103 (138/11401-99999)
1193



1193

Item	Part Number	Qty	Description Comments	Technical Specification
			STIRNWANDECKEL <-- 138/11401	
1	72340126	1	CRANKCASE END COVER	
2	72330757	1	MOLDED SEAL	
3	72332982	1	RADIAL SEALING RING	
5	72326907	1	HOUSING	
6	72376538	1	O-RING	40X4
7	72326906	1	THREADED PIN	
8	72326904	1	COVER PANEL	
9	72313266	2	NUT	DIN 934 M6-8A3L
10	72321607	1	PLUG	
11	72376514	1	O-RING	32X4-NBR 70 FWN56402
12	72315534	5	HEXAGONAL HEAD BOLT	DIN 931 M8 X 70-8.8
13	72315644	1	HEXAGONAL HEAD BOLT	DIN 933 M8X10-8.8A3L
14	72315659	1	HEXAGONAL HEAD BOLT	DIN 933 M8X35-8.8
15	72374158	7	HEXAGONAL HEAD BOLT	DIN 931 M8X45-8.8
16	72315053	16	SPLIT WASHER	FWN 65208-8-A3L
17	72315087	1	SEALING WASHER	DIN 7603 A8X14-CU
18	72330759	1	MOLDED SEAL	
19			SEE PUMP INSTALLATION	
20	72436284	1	HOSE	L=1120 FWN65912-19X3-PVC-W-G
			1X 335MM CUT TO LENGTH	
	72316915	1	CABLE STRAP NOT ILLUSTRATED	FWN 66650 B290X4,8-SW
21	72311167	1	HOSE CLIP	
22	72330754	1	CRANKCASE END COVER ><23	
23	72376834	1	SHAFT SEAL	110X130X14,5
24	72330755	1	MOLDED SEAL	
25	72315653	12	HEXAGONAL HEAD BOLT	DIN 933 M8 X 25-8.8A3L
26	72317121	10	SPRING WASHER	DIN 137 B8-MECH.VZK
27	72388985	1	HOUSING <>	
	72317290	1	TAPERED PLUG	
	72314756	1	LOCKING PLUG	F21
28	72315683	10	HEXAGONAL HEAD BOLT ENG.NO. --> 226.3.2.16311	DIN 933 M10X28-10.9
	72374435	10	HEXAGONAL HEAD BOLT ENG.NO. <-- 226.3.2.16312	DIN933 M10X33 GWA-10.9
29	72374184	2	HEXAGONAL HEAD BOLT	DIN 931 M10X75-12.9
30	72374465	4	HEXAGONAL HEAD BOLT ENG.NO. --> 226.3.2.16311	DIN 933 M12X28-10.9
	72374465	1	HEXAGONAL HEAD BOLT ENG.NO. <-- 226.3.2.16312	DIN 933 M12X28-10.9
	72484465	3	HEXAGONAL HEAD BOLT ENG.NO. <-- 226.3.2.16312	M12X35
31	72315511	2	SOCKET HEAD BOLT	DIN 912 M12X40-10.9
32	72325584	1	RUBBER STRIP	
33	72314763	3	LOCKING PLUG NOT NECESSARY WITH FRONT LOADER	F211
34	72314748	1	LOCKING PLUG NOT NECESSARY WITH FRONT LOADER NOT USED AT SIDE MOWER BAR	SW-F11
	72375075	1	LOCKING PLUG NOT NECESSARY WITH FRONT LOADER NOT USED AT SIDE MOWER BAR	F3

Fendt

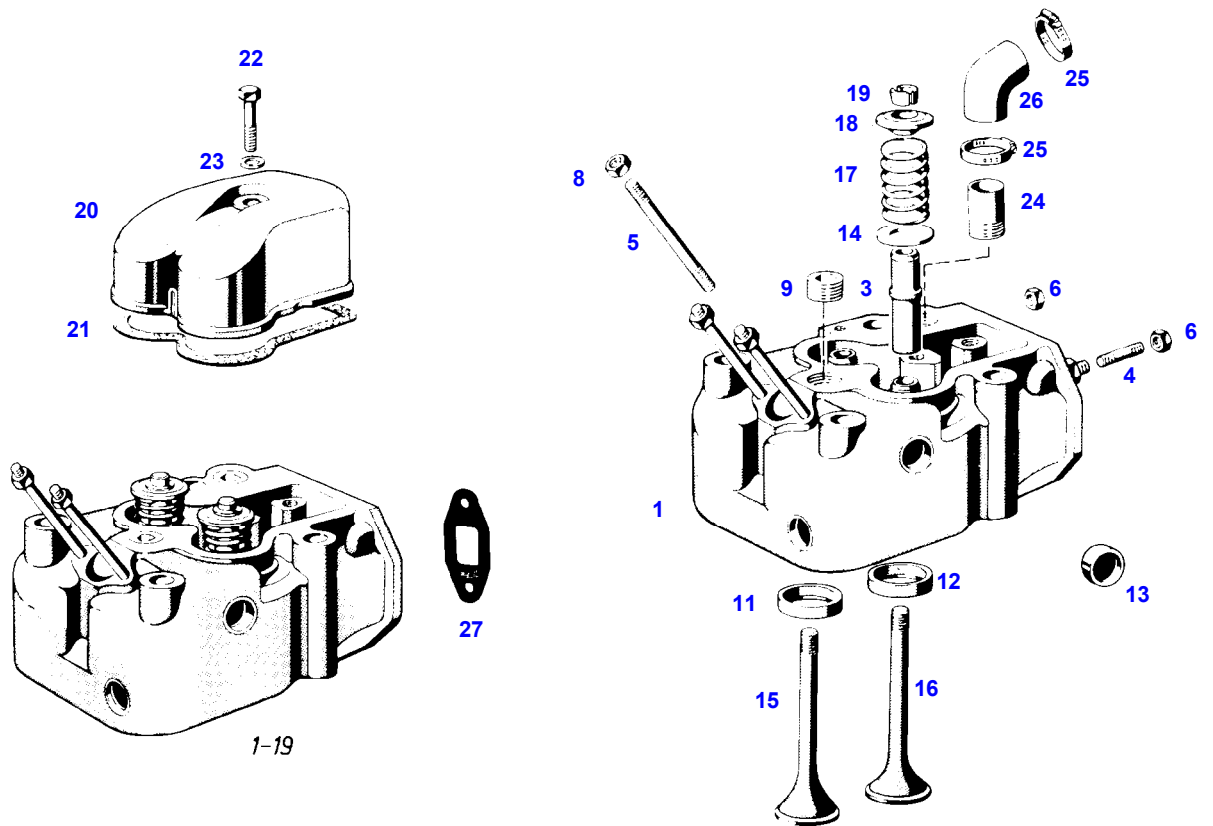
FARMER 103 (138/11401-99999)

F138001

FLYWHEEL HOUSING

Page01-0015

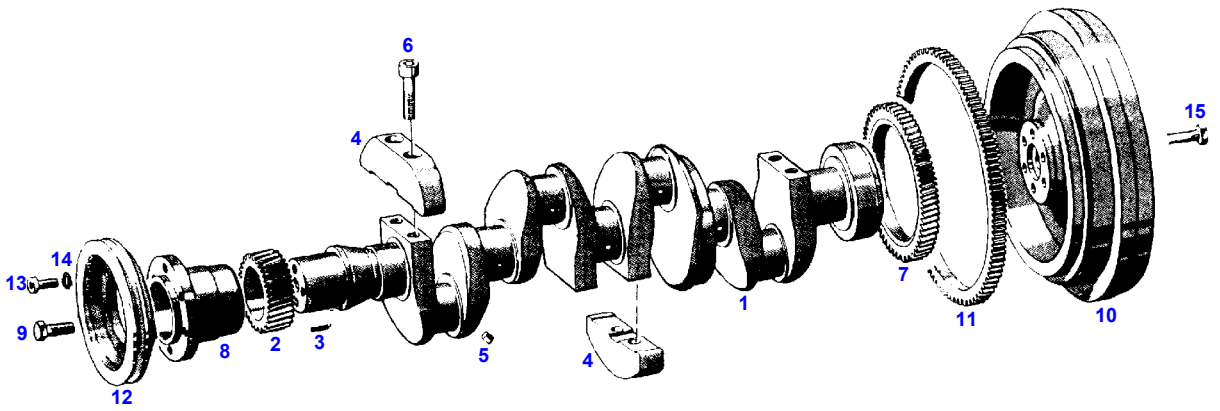
Item	Part Number	Qty	Description Comments	Technical Specification
35	72375100	1	SCREW PLUG NOT NECESSARY WITH FRONT LOADER NOT USED AT SIDE MOWER BAR	M18
36	72315694	3	HEXAGONAL HEAD BOLT	DIN 933 M10X50 GWA-10.9
	72315696	7	HEXAGONAL HEAD BOLT	DIN 933 M10X60-10.9
37	72374654	2	STUD BOLT	DIN 939 M10X70-10.9
38	72372810	2	NUT	DIN 934 M10-10
39	72313865	2	CYLINDER PIN	ISO2338 12M6X28-ST



0122

Item	Part Number	Qty	Description Comments	Technical Specification
			<-- 138/11401	
1	72332172	3	CYLINDER HEAD ><1-19 ENG.NO. --> 226.3.2.09311	
	72339462	3	CYLINDER HEAD ><1-19 ENG.NO. <-- 226.3.2.09312	
	72332179	3	CYLINDER HEAD ><1-13 ENG.NO. --> 226.3.2.09311	
	72339462	3	CYLINDER HEAD ><1-13 ENG.NO. <-- 226.3.2.09312	
3	72327062	6	VALVE GUIDE	
4	72313776	12	STUD BOLT	DIN 939 M10X25-8.8
5	72374632	6	STUD BOLT	DIN 939 M8X55-8.8
6	72313272	6	NUT	DIN 934 M10-8A3L
	72373015	6	NUT	DIN70615-M10-8-A3B
8	72372806	6	NUT	DIN 934 M8-10A3L
9	72373948	6	PLUG SCREW	DIN 906 M22X1,5-ST
11	72332174	3	VALVE SEAT RING OUTLET	
12	72341096	3	VALVE SEAT RING INTAKE ENG.NO. --> 226.3.2.09311	
	72339464	3	VALVE SEAT RING INTAKE ENG.NO. <-- 226.3.2.09312	
13	72311455	12	COVER	
14	72326923	6	DISC	
15	72331769	3	OUTLET VALVE CONE	
16	72331770	3	INLET VALVE CONE	
17	72327057	6	COMPRESSION SPRING	
18	72327093	6	SPRING RETAINER	
19	72327092	6	TAPER PIECE HALF	
20	72334863	3	CYLINDER HEAD COVER	
21	72334862	3	MOLDED SEAL	
22	72315691	3	HEXAGONAL HEAD BOLT	DIN 933 M10X40-8.8A3L
23	72315089	3	SEALING WASHER	DIN 7603 A10X16-CU
24	72330762	3	PIPE PIECE	
25	72311168	6	HOSE CLIP	
26	72450415	1	HOSE 3X 30MM	L=900 DIN73411-22X3,5 R
27			SEE AIRFILTER	

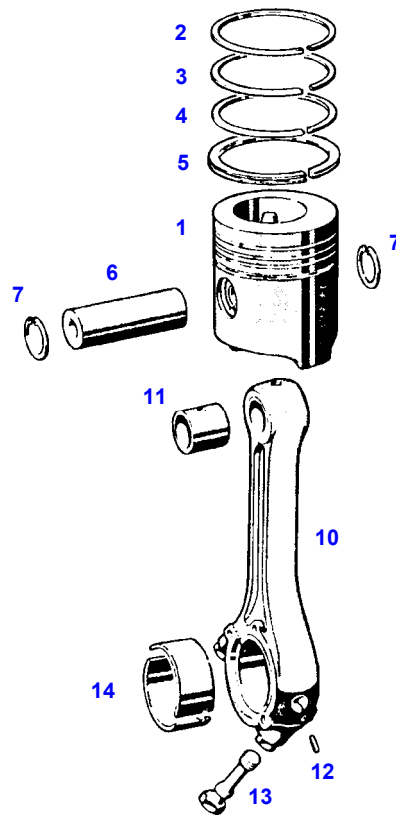
FARMER 103 (138/11401-99999)
11660



11660

Item	Part Number	Qty	Description Comments	Technical Specification
			<-- 138/11401	
1	72326140	1	CRANKSHAFT ><2-7	
	72342882	1	--> 138/17287 CRANKSHAFT ><2-7	
2	72330770	1	<-- 138/17288 SPUR GEAR --> 138/17287	
	72341105	1	SPUR GEAR <-- 138/17288	
3	72313801	1	TENSIONING PIN	ISO8752-4X14-A-ST
4	72325589	1	COUNTER-BALANCE WEIGHT --> 138/17287	
			NO LONGER AVAILABLE --> 138/17287	
5	72327771	3	PLUG 8 MM ENG.NO. --> 226.32.12598	
	72337059	3	PLUG 6,5 MM ENG.NO. <-- 226.32.12599	
6	72374100	4	SOCKET HEAD BOLT --> 138/17287	DIN 912 M14X65-10.9
7			NOT USED	
8	72327139	1	HUB --> 138/17287	
	72326275	1	HUB <-- 138/17288	
9	72374807	4	HEXAGONAL HEAD BOLT --> 138/17287	DIN 961 M12X1,5X35-10.9
	72374113	4	SOCKET HEAD BOLT <-- 138/17288	DIN 912 M16X50-10.9
10	72337462	1	FLYWHEEL ><11 --> 138/15997	
	72339391	1	FLYWHEEL ><11 <-- 138/15998 --> 138/17287	
	72329742	1	FLYWHEEL ><11 <-- 138/17288	
11	72330772	1	RING GEAR	
12	72337036	1	V BELT SHEAVE NOT NEEDED WITH AIR BRAKE	
13	72315490	6	SOCKET HEAD BOLT NOT NEEDED WITH AIR BRAKE	DIN 912 M10X16-8.8
14	72315054	6	SPLIT WASHER	FWN 65208-10-A3L
15	72374759	6	HEXAGONAL HEAD BOLT --> 138/17287	DIN 960 M12X1,5X65-10.9
	72374517	6	HEXAGONAL HEAD BOLT <-- 138/17288	DIN 933 M16X60-8.8
16	72375130	1	TENSIONING PIN NOT ILLUSTRATED	ISO8752-4X8-A-ST-ZNPH

FARMER 103 (138/11401-99999)
1708

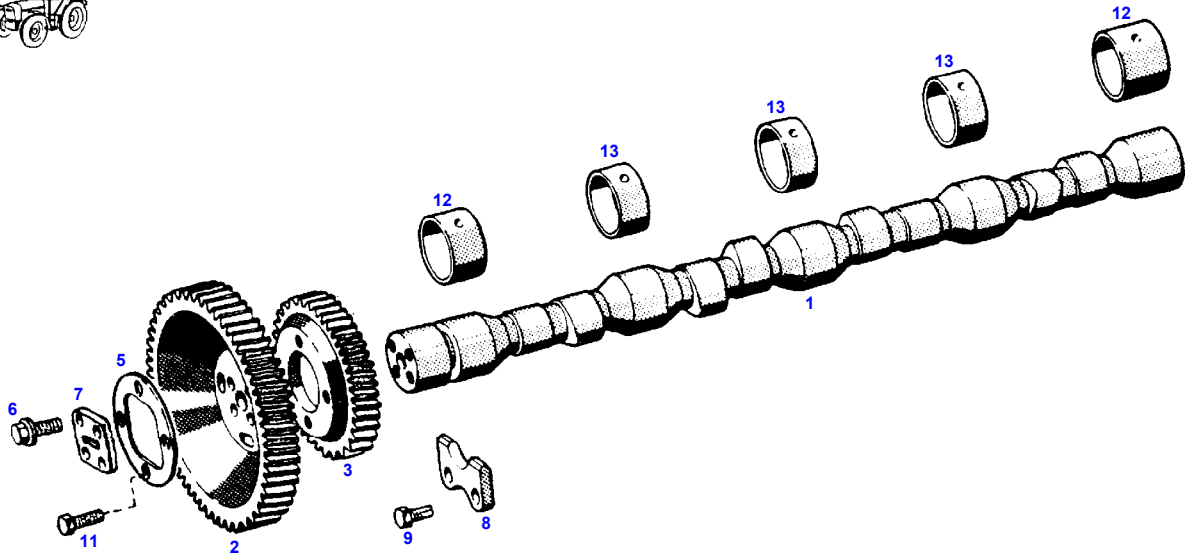


1708

Item	Part Number	Qty	Description Comments	Technical Specification
			<-- 138/11401	
1	72331779	3	PISTON ><1-7 --> 138/17287	
	72329076	3	PISTON ><1-7 <-- 138/17288	
	72331785	3	PISTON ><1-7 REPAIR STEP --> 138/17287	
	72329078	3	PISTON ><1-7 REPAIR STEP <-- 138/17288	
2	72329077	3	KEYSTONE RING	
	72329079	3	KEYSTONE RING REPAIR STEP	
3	72331781	3	TAPERED COMPRESSION RING	
	72331787	3	TAPERED COMPRESSION RING REPAIR STEP	
4	72331782	3	OIL SCRAPER RING	
	72331788	3	OIL SCRAPER RING REPAIR STEP	
5	72341114	3	WEDGE-SECTION RING	
	72326281	3	DOUBLE BEVELLED OIL CONTROL RING REPAIR STEP	
6			NOT AVAILABLE IN SINGLE PARTS	
7	72375604	6	LOCK WASHER --> 138/17287	DIN 472-32X1,2
	72311094	6	LOCK WASHER <-- 138/17288	DIN 472-35X1,5
10	72416097	1	PISTON ROD SET (4 PCE) SETWISE REPLACEMENT ONLY ><11-13 --> 138/17287	
	72341117	3	PISTON ROD ><11-13 <-- 138/17288	
11	72326953	3	SMALL-END BUSH --> 138/17287	
	72341118	3	SMALL-END BUSH <-- 138/17288	
12	72313802	3	TENSIONING PIN	ISO8752-4X16-A-ST-ZNPHR10F-KOE
13	72327143	6	CONNECTING ROD BOLT	
14	72327163	3	CONNECTING ROD BEARING 58,00 MM --> 138/17287	
	72327164	3	CONNECTING ROD BEARING 57,75 MM --> 138/17287	
	72327165	3	CONNECTING ROD BEARING 57,50 MM --> 138/17287	
	72327166	3	CONNECTING ROD BEARING 57,25 MM --> 138/17287	
	72327167	3	CONNECTING ROD BEARING 57,00 MM --> 138/17287	
	72341119	3	CONNECTING ROD BEARING 63,00 MM <-- 138/17288	

Item	Part Number	Qty	Description Comments	Technical Specification
	72341120	3	CONNECTING ROD BEARING 62,75 MM <-- 138/17288	
	72341121	3	CONNECTING ROD BEARING 62,50 MM <-- 138/17288	
	72341122	3	CONNECTING ROD BEARING 62,25 MM <-- 138/17288	
	72341123	3	CONNECTING ROD BEARING 62,00 MM <-- 138/17288	

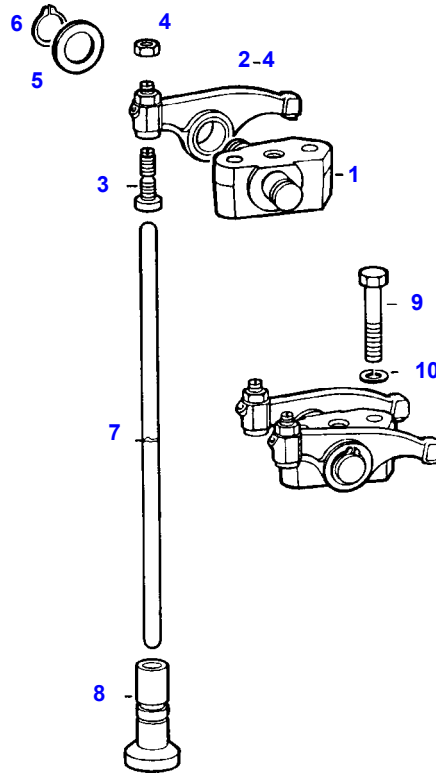
FARMER 103 (138/11401-99999)
11687



11687

Item	Part Number	Qty	Description Comments	Technical Specification
			<-- 138/11401	
1	72334053	1	CAMSHAFT	
2	72330784	1	SPUR GEAR	
3	72327170	1	SPUR GEAR	
5				
			NOT USED	
6	72375063	4	LOCK SCREW	FWN 64993 M8X22-12.9
7	72331325	1	PROFILED FLANGE	
8	72327172	1	SEGMENT	
9	72375061	2	LOCK SCREW	W151.12 M8X16-90
11	72375063	4	LOCK SCREW	FWN 64993 M8X22-12.9
12	72325608	2	BUSH	
13	72325609	2	BUSH	

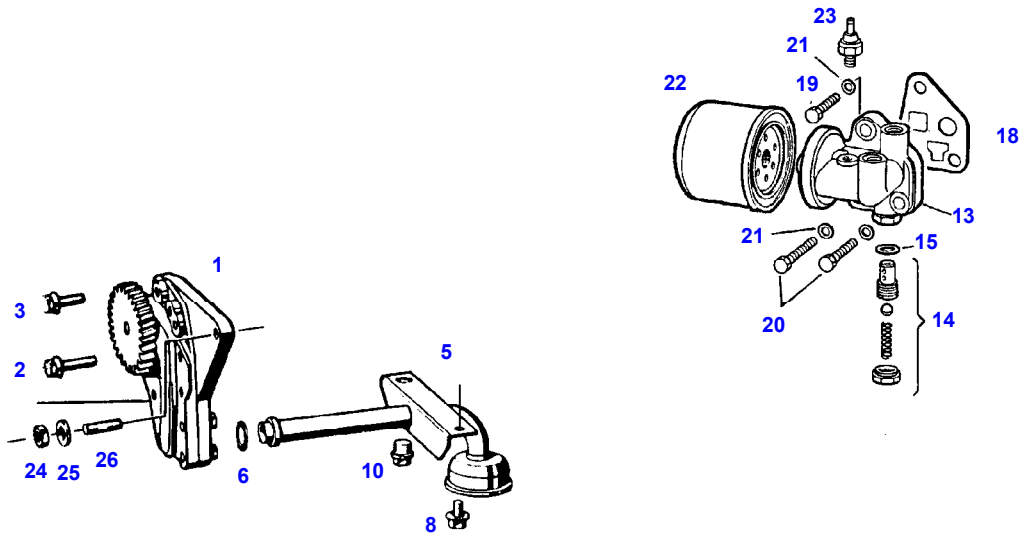
FARMER 103 (138/11401-99999)
3121



3121

Item	Part Number	Qty	Description Comments	Technical Specification
			<-- 138/11401	
1	72326928	3	ROCKER ARM SUPPORT <>	
	72321237	2	DISC	
2	72326251	6	ROCKER ARM ><2-4	
3	72328652	6	ADJUSTING SCREW	
4	72372806	6	NUT	DIN 934 M8-10A3L
5	72321237	6	DISC	
6	72375559	6	LOCK WASHER	DIN 471-16X1
7	72330785	6	BUMPER	
8	72334866	6	MUSHROOM TAPPET	
9	72315691	6	HEXAGONAL HEAD BOLT	DIN 933 M10X40-8.8A3L
10	72315054	6	SPLIT WASHER	FWN 65208-10-A3L

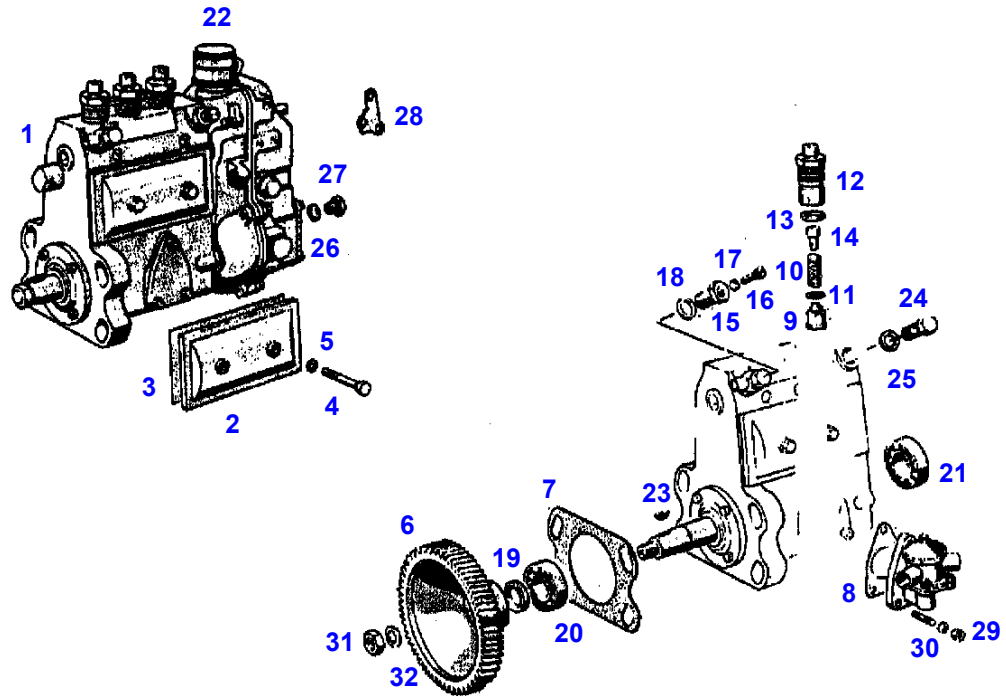
FARMER 103 (138/11401-99999)
3937



3937

Item	Part Number	Qty	Description Comments	Technical Specification
			GEAR PUMP <-- 138/11401	
1	72330776	1	OIL GEAR PUMP	
2	72375067	1	LOCK SCREW	FWN 64993 M8X35-90
3	72375063	2	LOCK SCREW	FWN 64993 M8X22-12.9
5	72326144	1	SUCTION LINE	
6	72376462	1	O-RING	20X4-FPM 70 FWN56402
8	72375061	1	LOCK SCREW	W151.12 M8X16-90
10	72373972	1	PLUG	DIN 910 M16X1,5-ST
13	72325600	1	FILTER HEAD ><14,15 <-- G510.201.900.100 <>	
	72315498	2	SOCKET HEAD BOLT	DIN 912 M10X40-8.8 OB1-SW
	72315494	1	SOCKET HEAD BOLT	DIN 912 M10X30-8.8
14	72327149	1	VALVE	
15	72315099	1	SEALING WASHER	DIN 7603 A18X22-CU
18	72327148	1	MOLDED SEAL	
19	72315682	1	HEXAGONAL HEAD BOLT	DIN 933 M10X28-8.8
20	72315691	1	HEXAGONAL HEAD BOLT	DIN 933 M10X40-8.8A3L
	72315689	1	HEXAGONAL HEAD BOLT	DIN 933 M10X35-8.8A3L
21	72317122	3	SPRING WASHER	DIN 137 B10-MECH.VZK
22	72327235	1	OIL FILTER	
23	72321488	1	OIL PRESSURE SENSOR <>	
	72314686	1	PLUG IN SLEEVE	
	72380428	1	SHIELD CAP	
24	72340921	1	MIDGRIP NUT ENG.NO. <-- 226.3.2.09864	
25	72340920	1	DISC ENG.NO. <-- 226.3.2.09864	
26	72374623	1	STUD BOLT ENG.NO. <-- 226.3.2.09864	DIN 939-M8X25-8.8

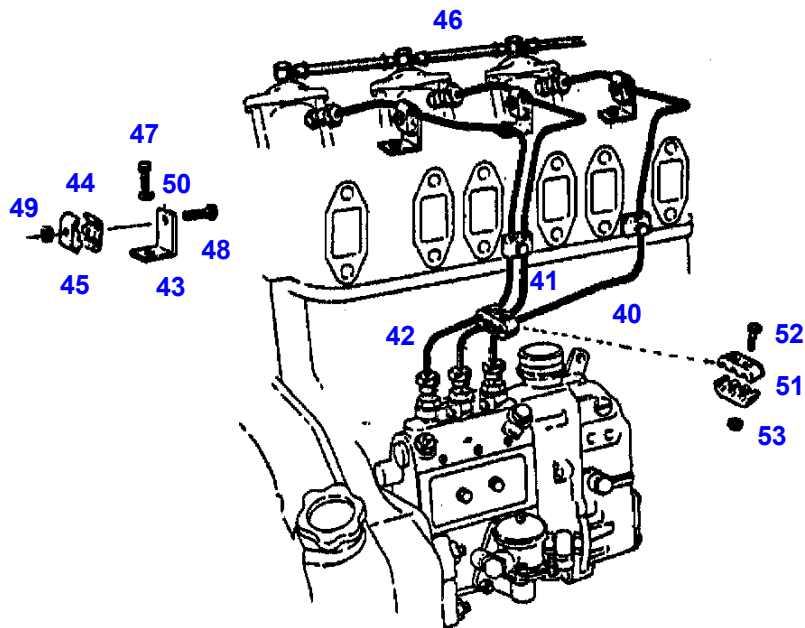
FARMER 103 (138/11401-99999)
31442



031442

Item	Part Number	Qty	Description Comments	Technical Specification
			<-- 138/11401	
1	72326265	1	INJECTION PUMP ><2-5	
			--> 138/21937	
	72326285	1	INJECTION PUMP ><2-5	
			<-- 138/21938	
2	72327226	1	COVER ><3	
3	72327227	1	SEAL	
4	72334895	2	HEXAGONAL HEAD BOLT	
5	72315084	2	SEALING WASHER	DIN 7603 A6X10-CU
6	72334209	1	SPUR GEAR	
7	72326991	1	MOLDED SEAL	
8	72328694	1	MOLDED SEAL	
9	72332133	3	PRESSURE VALVE	
10	72326997	3	COIL SPRING	
11	72332134	3	SEALING WASHER	
12	72332135	3	PIPE CONNECTION	
13	72332136	3	SEALING WASHER	
14	72614255	3	FILLING PIECE	
15	72327202	1	THREADED BUSHING	
16	72323290	1	BLEED SCREW	
17	72315084	1	SEALING WASHER	DIN 7603 A6X10-CU
18	72315097	2	SEALING WASHER	DIN 7603 A16X20-CU
19	72327019	1	RADIAL SEALING RING	
20	72378222	1	DEEP GROOVE BALL BEARING	DIN 625-6203 C3
21	72378179	1	SEPARABLE BALL BEARING	L17 DIN 615
22	72327018	1	FILTER	
23	72373427	1	WOODRUFF KEY	DIN 6888-3X6,5-ST60
24	72315808	1	BANJO BOLT	DIN 7643-10-3-A3L
25	72315094	2	SEALING WASHER	DIN 7603 A14X18-CU
26	72315088	2	SEALING WASHER	DIN 7603 A10X13,5-CU
27	72334210	2	SCREW	
28	72337466	1	STOP LEVER	
29	72313266	3	NUT	DIN 934 M6-8A3L
30	72317120	3	SPRING WASHER	DIN 137 B6-MECH.VZK
31	72313281	1	NUT	DIN 934 M14X1,5-8A3L
			--> 138/17287	
	72313276	1	NUT	DIN 934 M12-8A3L
			<-- 138/17288	
32	72375406	1	SPRING WASHER	DIN 137 B14-MECH.VZK GE.CR
			--> 138/17287	
	72315055	1	SPLIT WASHER	FWN 65208-12-A3L
			<-- 138/17288	

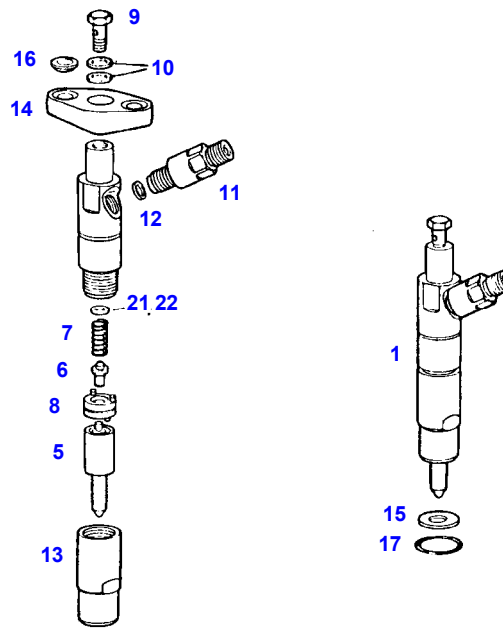
FARMER 103 (138/11401-99999)
31443



031443

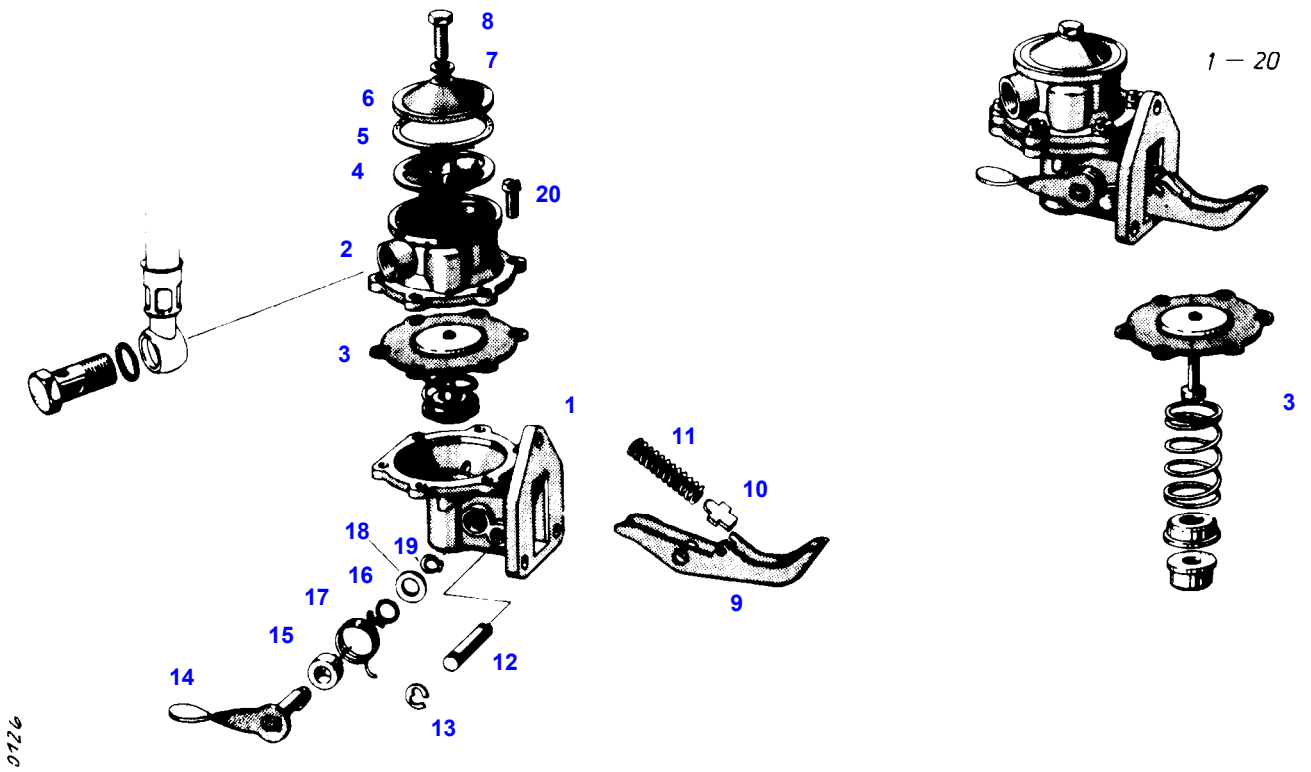
Item	Part Number	Qty	Description Comments	Technical Specification
			<-- 138/11401	
40	72329194	1	FUEL PRESSURE LINE ENG.NO. --> 226.3.2.09311	
	72339476	1	FUEL LINE ENG.NO. <-- 226.3.2.09312	
41	72329195	1	FUEL PRESSURE LINE ENG.NO. --> 226.3.2.09311	
	72340724	1	FUEL LINE ENG.NO. <-- 226.3.2.09312	
42	72329196	1	FUEL PRESSURE LINE ENG.NO. --> 226.3.2.09311	
	72340725	1	FUEL LINE ENG.NO. <-- 226.3.2.09312	
43	72327196	3	GUSSET PLATE	
44	72327982	6	CLIP HALF	
45	72327187	4	CLIP HALF	
46			SEE FUEL ASSEMBLY	
47	72315629	3	HEXAGONAL HEAD BOLT	DIN 933 M6 X 12-8.8A3L
48	72315633	6	HEXAGONAL HEAD BOLT	DIN 933 M6X25-8.8A3L
49	72313266	4	NUT	DIN 934 M6-8A3L
50	72317120	10	SPRING WASHER	DIN 137 B6-MECH.VZK
51	72327002	2	CLIP HALF	
52	72315633	1	HEXAGONAL HEAD BOLT	DIN 933 M6X25-8.8A3L
53	72313266	1	NUT	DIN 934 M6-8A3L

FARMER 103 (138/11401-99999)
4899



4899

Item	Part Number	Qty	Description Comments	Technical Specification
			<-- 138/11401	
1	72325892	3	INJECTOR ><1-13,21,22 ENG.NO. --> 226.3.2.09311	
	72339466	3	INJECTOR ><1-13,21,22 ENG.NO. <-- 226.3.2.09312	
5	72325895	3	MULTIPLE-ORIFICE INJECTOR ENG.NO. --> 226.3.2.09311	
	72339467	3	MULTIPLE-ORIFICE INJECTOR ENG.NO. <-- 226.3.2.09312	
6	72332206	3	PRESSURE BOLT	
7	72325194	3	COIL SPRING ENG.NO. --> 226.3.2.09311	
	72339472	3	COMPRESSION SPRING ENG.NO. <-- 226.3.2.09312	
8	72332207	3	SHIM DISC	
9	72315809	3	BANJO BOLT	DIN 7643-4-5-A3L
10	72315086	3	SEALING WASHER	DIN 7603 A8X11,5-CU
11	72332208	3	PIPE CONNECTION	
12	72327194	3	SEALING WASHER	
13	72332209	3	CONNECTING NUT	
14	72332210	3	RETAINER BOW	
15	72344305	3	SEALING WASHER	
16	72332214	6	SPHERICAL WASHER	
17	72376457	3	O-RING	20X2-NBR 70-FWN56402
21	72339468	X	DISC 0,80 MM ENG.NO. <-- 226.3.2.09312	
	72339469	X	DISC 0,85 MM ENG.NO. <-- 226.3.2.09312	
	72339470	X	DISC 0,90 MM ENG.NO. <-- 226.3.2.09312	
	72339471	X	DISC 0,95 MM ENG.NO. <-- 226.3.2.09312	
	72319287	X	DISC 1,00 MM	
	72319288	X	DISC 1,10 MM	
	72319289	X	DISC 1,15 MM	
	72319290	X	DISC 1,20 MM	
	72319291	X	DISC 1,30 MM	
	72319292	X	DISC 1,40 MM	
22	72319293	X	DISC 1,50 MM	
	72319294	X	DISC 1,60 MM	

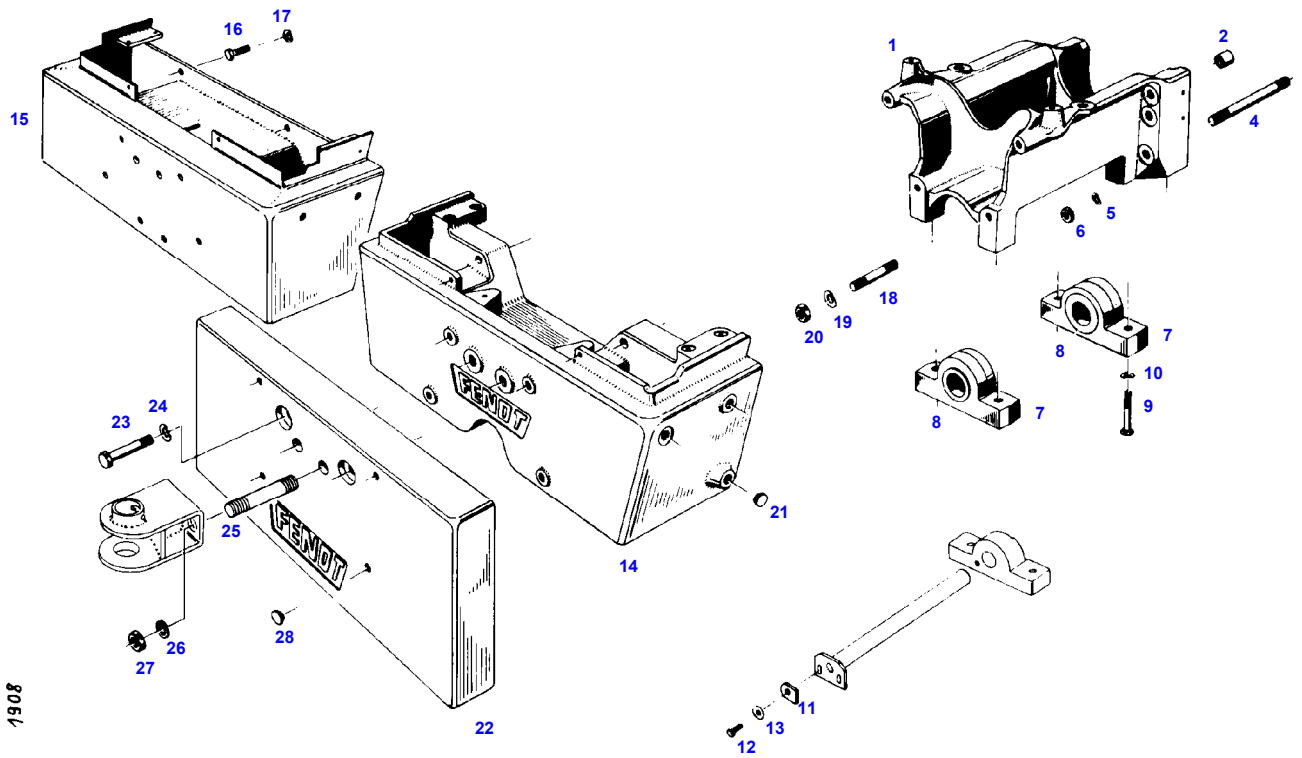


Item	Part Number	Qty	Description Comments	Technical Specification
			<-- 138/11401	
1	72328691	1	FUEL PUMP PIERBURG >< 1-20 <-- F150.204.710.013	
	72451618	1	FUEL PUMP BD - TORINO	
			NOT AVAILABLE IN SINGLE PARTS	
			NO LONGER AVAILABLE REPAIR KIT PIERBURG ><4,5,16	
	72437162	1	REPAIR KIT BD - TORINO	
2			NOT AVAILABLE IN SINGLE PARTS	
3	72328697	1	DIAPHRAGM	
4	72328698	1	FUEL FILTER	
5	72328699	1	SEALING WASHER	
6	72328700	1	CAP	
7			NOT USED	
8	72335630	1	HEXAGONAL HEAD BOLT	
	72374399	1	HEXAGONAL HEAD BOLT	DIN 933 M5X18-8.8A3L
	72376018	1	SEALING WASHER	DIN 7603 A5X9-VF
9	72328701	1	PUMP LEVER	
10	72328702	1	SPRING SEAT	
11	72328703	1	COMPRESSION SPRING	
12	72328704	1	AXLE	
13	72328705	1	FUSE	
14	72328706	1	HAND LEVER	
15	72328707	1	SPACER RING	
			NOT AVAILABLE IN SINGLE PARTS	
17	72328709	1	RETURN SPRING	
18	72328710	1	MACHINE WASHER	
19	72328711	1	CIRCLIP	
20	72315403	6	SOCKET HEAD BOLT	DIN 84 M5X12-4.8

AXLES

Page Number	Page Title	Page Reference
02-0001	FRONT AXLE BRACKET <-- 138/11401	3010
02-0002	FRONT AXLE BRACKET FRONT POWER LIFT FRONT P.T.O. <-- 138/11401	3020
02-0003	AXLE BODY 103 S 2WD <-- 138/11401 --> 138/19233	3030
02-0004	STEERING KNUCKLE HUB 103 S 2WD <-- 138/11401 --> 138/19233	3035
02-0005	AXLE BODY 103 LS 2WD <-- 138/11401 --> 138/18731	3040
02-0006	STEERING KNUCKLE HUB 103 LS 2WD <-- 138/11401 --> 138/18731	3045
02-0007	AXLE BODY FRONT WHEEL SUSPENS. 103 S 2WD <-- 138/19234 --> 138/21937	3050
02-0008	AXLE BODY FRONT WHEEL SUSPENS. 103 LS 2WD <-- 138/18732	3060
02-0009	FRONT WHEEL SUSPENS. 103 S 2WD <-- 138/21938	3070
02-0010	AXLE BODY 4WD <-- 138/11401 --> 138/13710	3080
02-0011	AXLE BODY 4WD <-- 138/13711	3090
02-0012	DIFFERENTIAL 4WD <-- 138/13711	3100
02-0013	LOCKABLE DIFFER.GEAR 4WD <-- 138/22824	3110
02-0014	JOINT HOUSING PLANETARY DRIVE JOINT SHAFT 4WD <-- 138/13711	3120
02-0015	JOINT SHAFT 4WD <-- 138/11401	3130

FARMER 103 (138/11401-99999)
1908



1908

Item	Part Number	Qty	Description Comments	Technical Specification
			<-- 138/11401	
1	72394621	1	FRONT AXLE BRACKET --> 138/11803 <> <-- 138/11804 <> <>	
	72317125	2	SPRING WASHER	DIN 137 B16-ZNPHR
	72315742	2	HEXAGONAL HEAD BOLT	DIN 933 M16X75 GWA-10.9
	72311793	6	DISC	DIN 125-17-ST.A3L
	72392256	2	BUSH	
	72315732	2	HEXAGONAL HEAD BOLT	DIN 933 M16X35-8.8A3L
2	72392256	2	BUSH	
	72311793	6	DISC NOT ILLUSTRATED	DIN 125-17-ST.A3L
4	72313788	6	STUD BOLT	DIN 939 M16X110 N.V.GRT-10.9
			ALTERNATIVELY	
	72374721	6	STUD BOLT	DIN 939 M16X130-10.9 N.V.GRT.
			ALTERNATIVELY	
5	72315057	6	SPLIT WASHER	FWN 65208-16-A3L
6	72313282	6	NUT	DIN 934 M16-10
7	72389338	2	AXLE BEARING 103 S 2WD	
			--> 138/19233	
	72389338	2	AXLE BEARING 103 LS 2WD	
			--> 138/18731	
	72348304	2	AXLE BEARING ><8 103 S 2WD <-- 138/19234 <>	
	72313160	1	CONE-TYPE LUBICATING NIPPLE	
	72348304	2	AXLE BEARING ><8 103 LS 2WD <-- 138/18732 <>	
	72313160	1	CONE-TYPE LUBICATING NIPPLE	
	72348304	2	AXLE BEARING ><8 4WD <>	
	72313160	1	CONE-TYPE LUBICATING NIPPLE	
8	72394603	2	BEARING BUSHING 103 S 2WD <-- 138/19234 --> 138/21501	
	72394603	2	BEARING BUSHING 103 LS 2WD <-- 138/18732 --> 138/21501	
	72394603	2	BEARING BUSHING 4WD --> 138/21501	
	72393716	2	BUSH <-- 138/21502	

Thank you so much for reading.
Please click the “Buy Now!”
button below to download the
complete manual.



After you pay.

You can download the most
perfect and complete manual in
the world immediately.

Our support email:

ebooklibonline@outlook.com