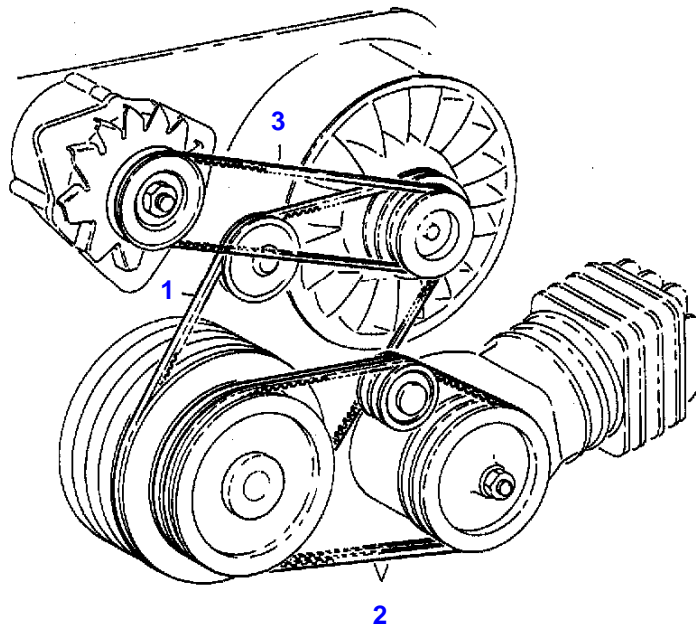


Page Number	Page Title	Page Reference
01-000-TOC	ENGINE, FUEL AND EXHAUST SYSTEM	01-000-TOC
02-000-TOC	AXLES	02-000-TOC
03-000-TOC	STEERING SYSTEM	03-000-TOC
04-000-TOC	DRIVE TRAIN SYSTEM	04-000-TOC
05-000-TOC	COMPRESSED AIR SYSTEM	05-000-TOC
06-000-TOC	HYDRAULIC SYSTEM	06-000-TOC
07-000-TOC	ELECTRICAL SYSTEM	07-000-TOC
08-000-TOC	CAB	08-000-TOC
09-000-TOC	AIR CONDITIONING AND HEATING SYSTEM	09-000-TOC
10-000-TOC	CHASSIS	10-000-TOC
11-000-TOC	WHEELS	11-000-TOC
12-000-TOC	IMPLEMENT LIFT SYSTEM FRONT	12-000-TOC
13-000-TOC	IMPLEMENT LIFT SYSTEM REAR	13-000-TOC
14-000-TOC	FRONT/REAR LOADERS	14-000-TOC
15-000-TOC	ATTACHMENTS	15-000-TOC
16-000-TOC	ACCESSORIES	16-000-TOC



040079

Fendt

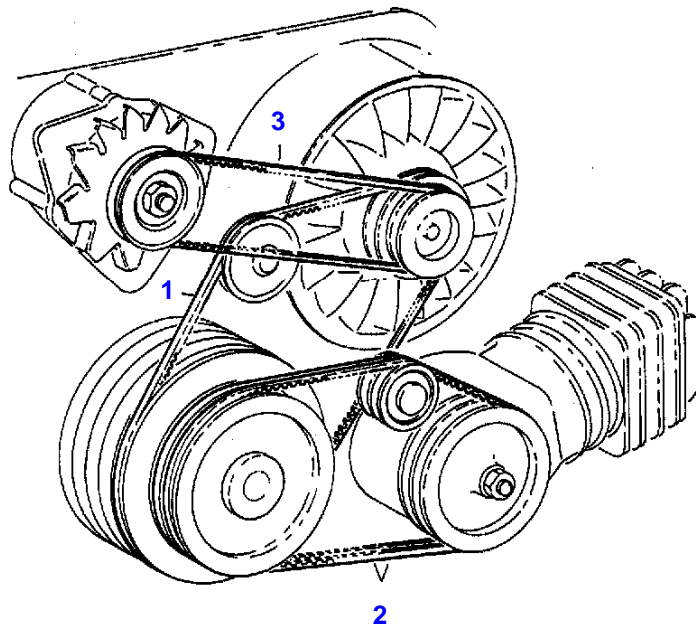
GT 370GT (148/00101-99999)

F148000

V-BELT

Page01-0001

Item	Part Number	Qty	Description Comments	Technical Specification
			ENGINE NUMBER --> 08671906	
1	72379427	1	V-BELT 10X1275MM	FWN66966-AVX10X1275LA
2	72379417	2	V-BELT	FWN66966-AVX10X1200LA
3	72379454	1	V-BELT	FWN66966-AVX10X950LA



040079

Fendt

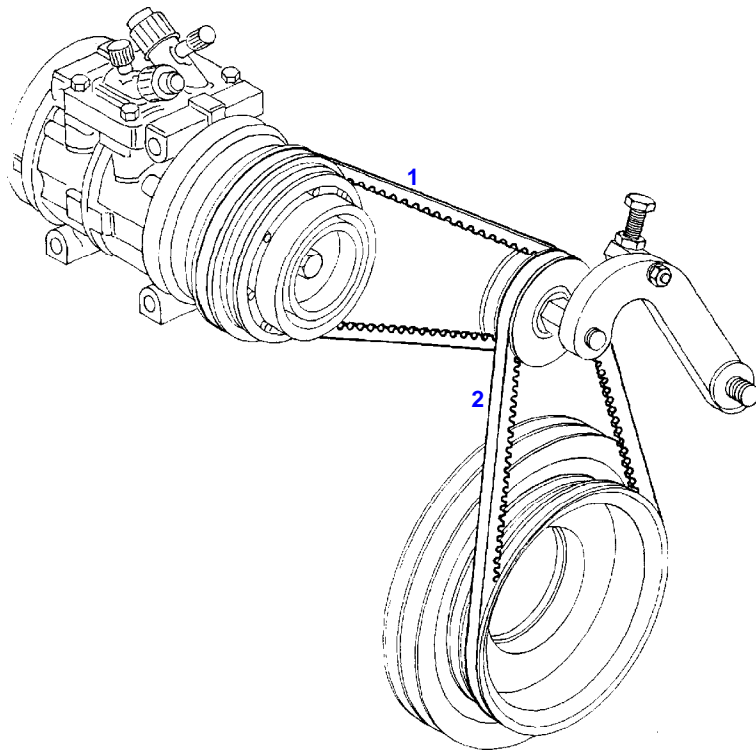
GT 370GT (148/00101-99999)

F148000

V-BELT

Page01-0002

Item	Part Number	Qty	Description Comments	Technical Specification
			ENGINE NUMBER <-- 08671907	
1	72324110	1	V-BELT 10X1300MM	
2	72379417	2	V-BELT	FWN66966-AVX10X1200LA
3	72379454	1	V-BELT	FWN66966-AVX10X950LA



11676

Fendt

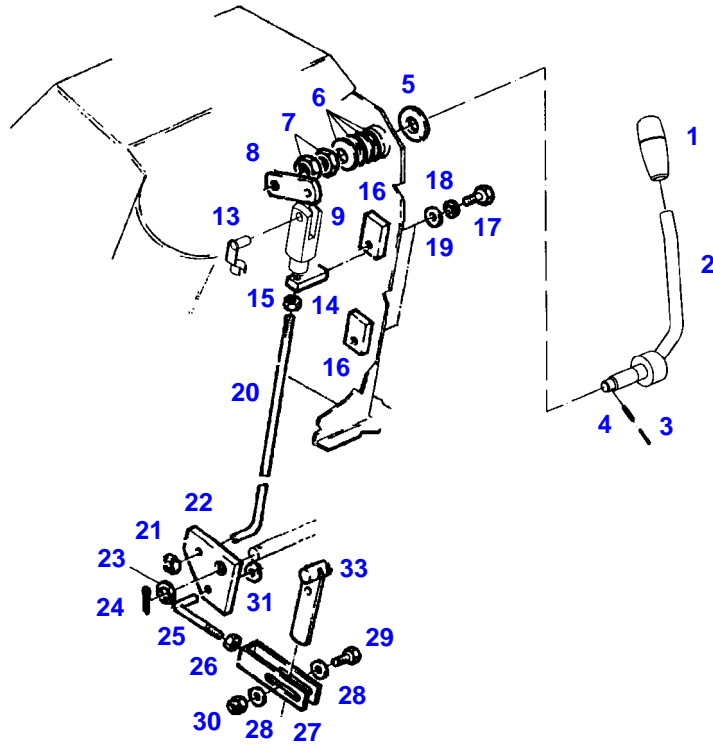
GT 370GT (148/00101-99999)

F148000

V-BELT

Page01-0003

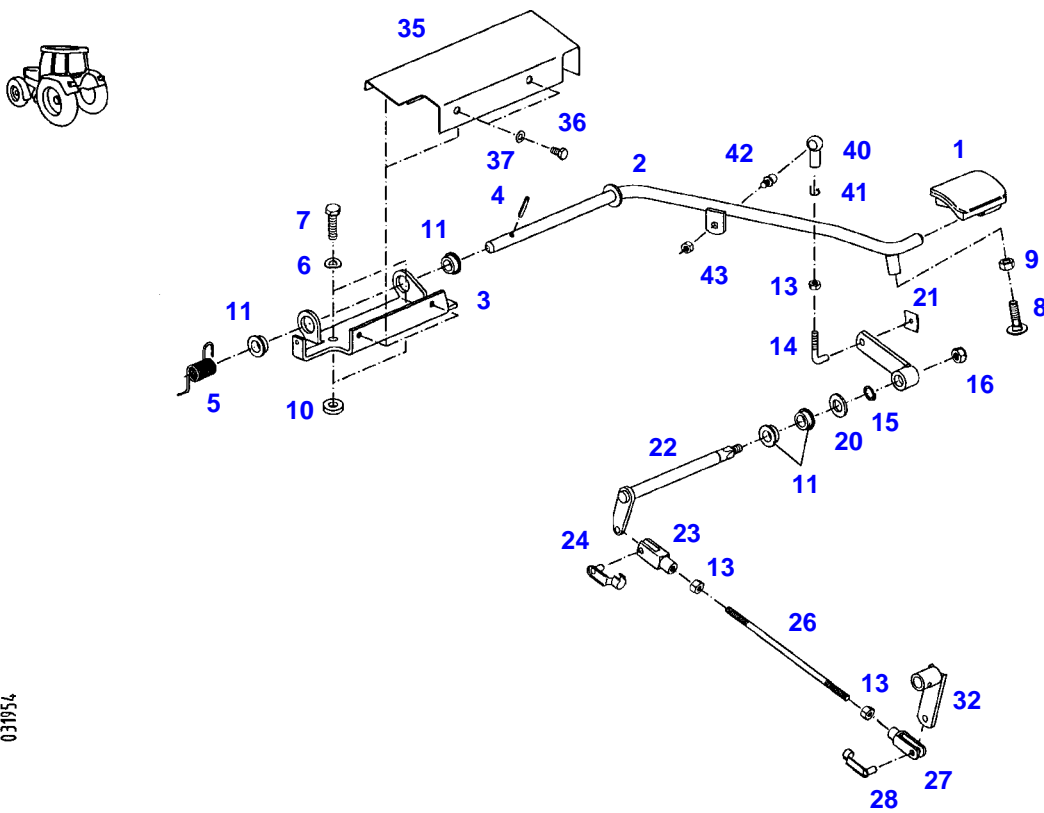
Item	Part Number	Qty	Description Comments	Technical Specification
			AIR CONDITION	
1	72379469	1	V-BELT	FWN66966-AVX13X725LA
2	72379470	1	V-BELT 13X868 MM	DIN7753



967050

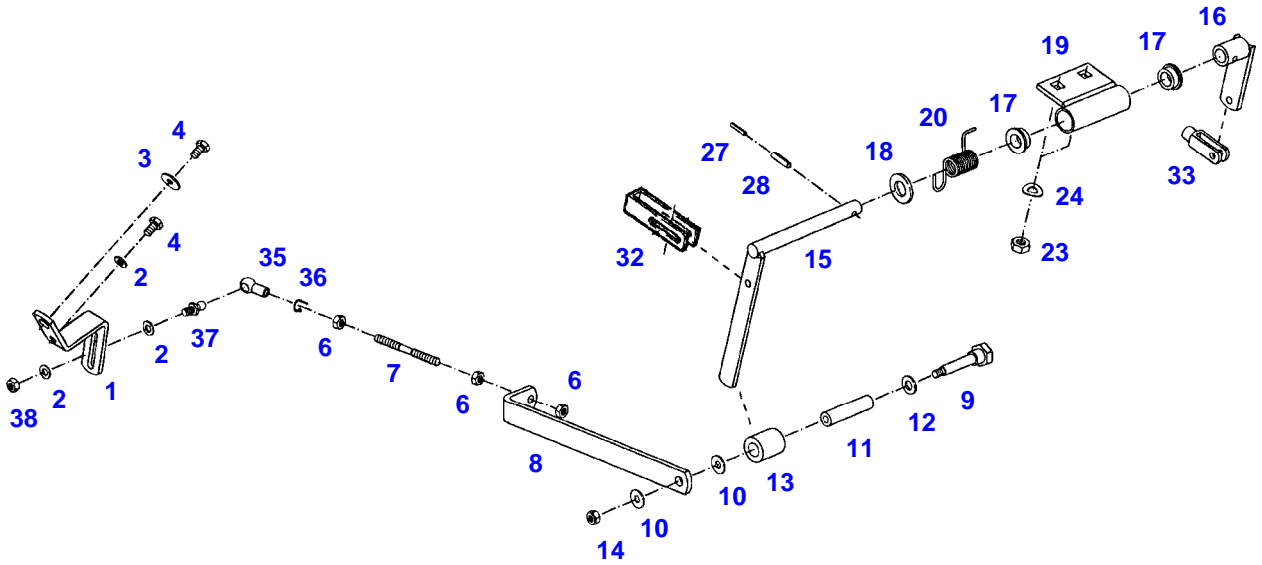
Item	Part Number	Qty	Description Comments	Technical Specification
MANUAL OPERATION				
1	72393661	1	HANDLE GRIP	
2	72317730	1	LEVER	
3	72428239	1	TENSIONING PIN	ISO8752-2,5X22-OB3
4	72313803	1	TENSIONING PIN	ISO8752-4X20-A-ST-ZNPHR10F-KOE
5	72422379	1	FRICTION WASHER	
6	72316459	4	DISK SPRING	28X14,2X1,25
7	72372883	2	NUT	DIN 936 M14-17H
8	72404909	1	LEVER	
9	72395922	1	CLEVIS	
13	72357097	1	SPRING STUD	
14	72407990	1	PLATE LINK	
15	72313268	1	NUT	DIN 934 M8-8A3L
16	72392583	2	THREADED PLATE	
17	72315642	4	HEXAGONAL HEAD BOLT	DIN 933 M8 X 16-8.8A3L
18	72317121	4	SPRING WASHER	DIN 137 B8-MECH.VZK
19	72311788	4	DISC	DIN 125-8,4-ST.A3L
20	72407994	1	ROD	
21	72311180	1	DUO-CLIP	8 SXN10
22	72407988	1	PLATE LINK	
23	72311804	1	DISC	DIN 433-13-ST.A3L
24	72313877	1	COTTER	DIN 94-4X20-ST.A3L
25	72415275	1	ROD	
26	72313266	1	NUT	DIN 934 M6-8A3L
27	72407987	1	FORK	
28	72311822	2	DISC	DIN9021-6,4-140HV-A3L
29	72315633	1	HEXAGONAL HEAD BOLT	DIN 933 M6X25-8.8A3L
30	72313318	1	NUT	DIN6925-M6-8-A3L
31	72311179	1	DUO-CLIP	6 SXN10
33			SEE SPEED CONTROL BY PASS	

GT 370GT (148/00101-99999)
31954



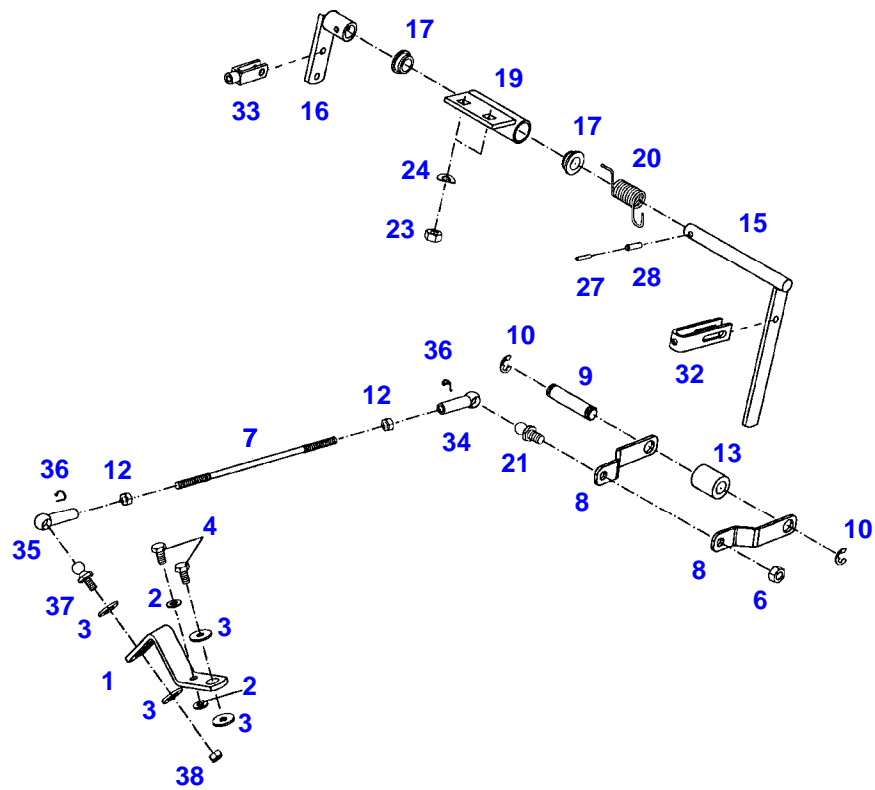
031954

Item	Part Number	Qty	Description Comments	Technical Specification
FOOT OPERATION				
1	72314506	1	PEDAL PLATE	
2	72317697	1	LEVER	
3	72418913	1	CARRIER	
4	72375136	1	TENSIONING PIN	ISO8752-4X36-A-ST-ZNPHR10F-KOE
5	72407991	1	LEG SPRING	
6	72317121	2	SPRING WASHER	DIN 137 B8-MECH.VZK
7	72315653	2	HEXAGONAL HEAD BOLT	DIN 933 M8 X 25-8.8A3L
8	72315427	1	TRUSS HEAD SCREW	DIN 603 M8X30-A3D
9	72313268	1	NUT	DIN 934 M8-8A3L
10	72311810	2	DISC	DIN 7989 A11-ST.A3L
11	72393653	4	BUSH	
13	72313266	3	NUT	DIN 934 M6-8A3L
14	72391015	1	ROD	
15	72415374	1	LEVER	
16	72313320	1	NUT	DIN6925-M8-8-A3L
	72311059	1	LOCK WASHER	DIN 471-12X1
			NOT ILLUSTRATED	
20	72311804	1	DISC	DIN 433-13-ST.A3L
21	72311179	1	DUO-CLIP	6 SXN10
22	72417510	1	SHAFT	
23	72311306	1	CLEVIS	DIN 71752 G6X12-A3L
24	72310445	1	BOLT	FWN 64072 6X12 A3L
26	72406866	1	THREADED ROD	
27	72311308	1	CLEVIS	DIN 71752 G6X24-A3L
28	72310448	1	BOLT	FWN 64072 6X24 A3L
32			SEE SPEED CONTROL BY PASS	
35	72418912	1	COVER	
36	72315820	2	SCREW	DIN7976-ST6,3X13-C-A3L
37	72311787	2	DISC	DIN 125-6,4-ST.A3L
40	72316303	1	BALL SOCKET	DIN 71805 B10-A3L
41	72317189	1	SECURING CLIP	DIN71805 S10-A3L
42	72313852	1	BALL PIN	DIN 71803-C10-ST-A3L
43	72313266	1	NUT	DIN 934 M6-8A3L



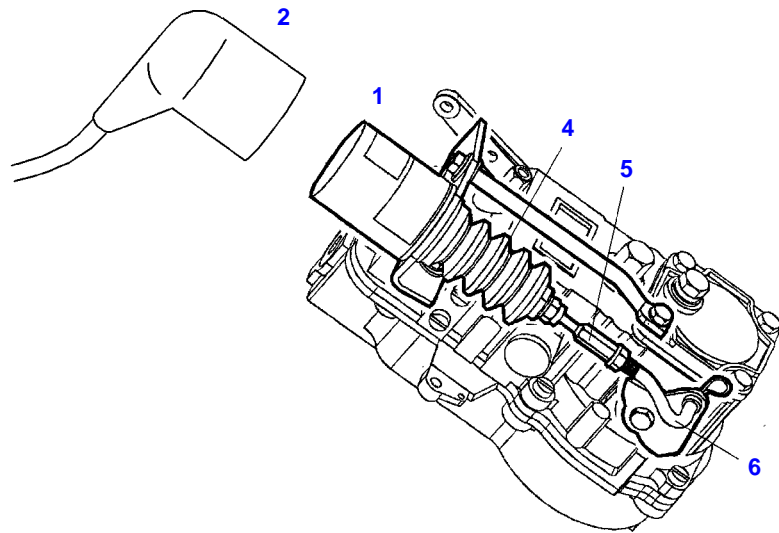
031955

Item	Part Number	Qty	Description Comments	Technical Specification
			BY PASS <-- 148/0101 --> 148/0200 <-- 148/1001 --> 148/3000	
1	72407985	1	LEVER	
2	72311787	3	DISC	DIN 125-6,4-ST.A3L
3	72311822	1	DISC	DIN9021-6,4-140HV-A3L
4	72315629	2	HEXAGONAL HEAD BOLT	DIN 933 M6 X 12-8.8A3L
6	72313266	3	NUT	DIN 934 M6-8A3L
7	72406865	1	THREADED ROD	
8	72423868	1	LEVER <-- 148/0101 --> 148/0200 <> <-- 148/1001 --> 148/1195 <> <>	
	72313318	1	NUT	DIN6925-M6-8-A3L
	72311822	2	DISC	DIN9021-6,4-140HV-A3L
	72423867	1	BUSH	
	72423866	1	BOLT	
9	72423866	1	BOLT <-- 148/0101 --> 148/0200 <> <-- 148/1001 --> 148/1195 <> <>	
	72311822	2	DISC	DIN9021-6,4-140HV-A3L
	72313318	1	NUT	DIN6925-M6-8-A3L
	72423867	1	BUSH	
	72423868	1	LEVER	
10	72311788	2	DISC <-- 148/0101 --> 148/0200 <-- 148/1001 --> 148/1195	DIN 125-8,4-ST.A3L
	72311822	2	DISC <-- 148/1196	DIN9021-6,4-140HV-A3L
11	72423867	1	BUSH <-- 148/1196	
12	72311788	1	DISC <-- 148/1196	DIN 125-8,4-ST.A3L
13	72403270	1	ROLLER	
14	72313320	1	NUT <-- 148/0101 --> 148/0200 <-- 148/1001 --> 148/1195	DIN6925-M8-8-A3L
	72313318	1	NUT <-- 148/1196	DIN6925-M6-8-A3L
15	72415047	1	LEVER	
16	72424185	1	LEVER	
17	72393653	2	BUSH	
18	72311804	1	DISC	DIN 433-13-ST.A3L
19	72317698	1	CARRIER	
20	72407991	1	LEG SPRING	
23	72313268	2	NUT	DIN 934 M8-8A3L
24	72317121	2	SPRING WASHER	DIN 137 B8-MECH.VZK
27	72313796	1	TENSIONING PIN	ISO8752-3X18-A-ST-OB3 FWN10256
28	72313808	1	TENSIONING PIN	ISO8752-5X18-A-ST-OB3
32			SEE SPEED CONTROL MANUAL OPERATION	
33			SEE SPEED CONTROL FOOT OPERATION	
35	72316303	1	BALL SOCKET	DIN 71805 B10-A3L
36	72317189	1	SECURING CLIP	DIN71805 S10-A3L
37	72313852	1	BALL PIN	DIN 71803-C10-ST-A3L
38	72313266	1	NUT	DIN 934 M6-8A3L



037208

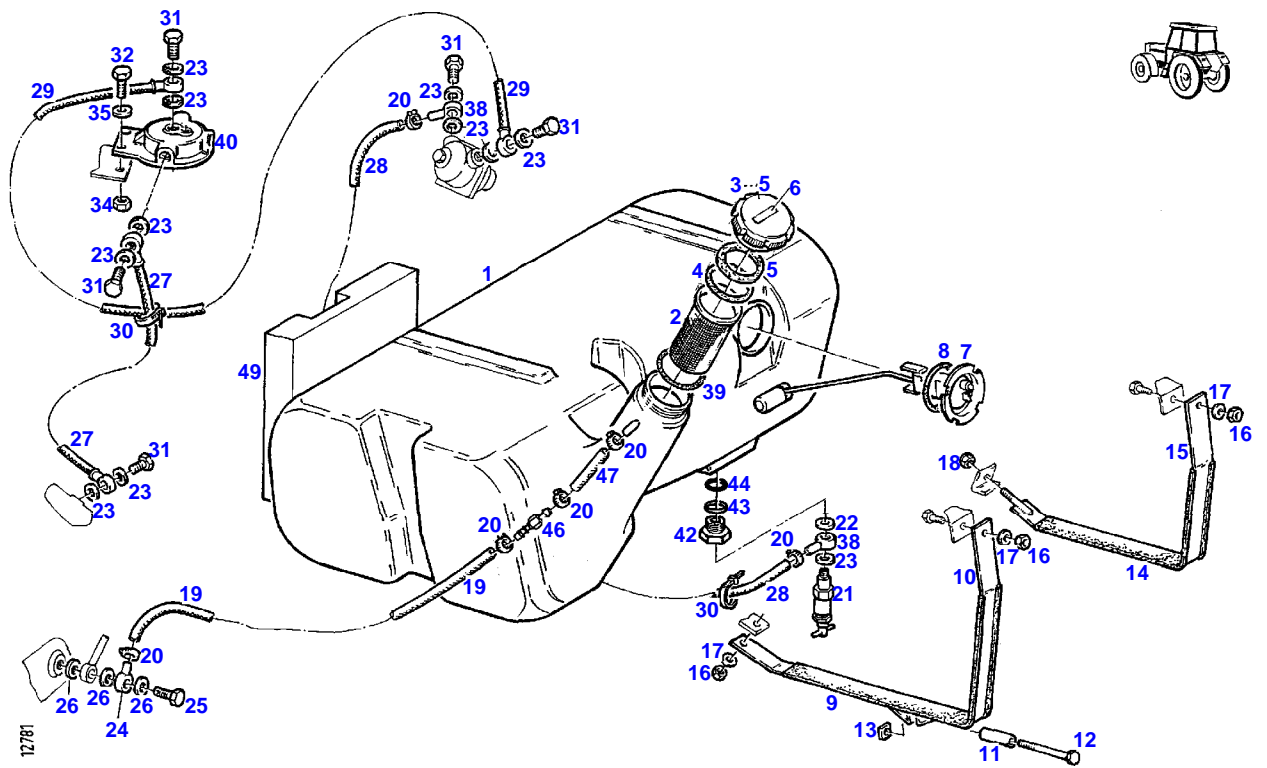
Item	Part Number	Qty	Description Comments	Technical Specification
			BY PASS <-- 148/3001	
1	72407985	1	LEVER	
2	72311787	2	DISC	DIN 125-6,4-ST.A3L
3	72311822	4	DISC	DIN9021-6,4-140HV-A3L
4	72315629	2	HEXAGONAL HEAD BOLT	DIN 933 M6 X 12-8.8A3L
6	72313268	2	NUT	DIN 934 M8-8A3L
7	72406866	1	THREADED ROD	
8	72423870	2	HOLDER	
9	72423871	1	BOLT	
10	72375455	2	LOCK WASHER	DIN6799-8
12	72313266	2	NUT	DIN 934 M6-8A3L
13	72403270	1	ROLLER	
15	72415047	1	LEVER	
16	72424185	1	LEVER	
17	72393653	2	BUSH	
19	72317698	1	CARRIER	
20	72407991	1	LEG SPRING	
21	72313854	1	BALL PIN	FWN65047-D10-ST-ZNNI-4486MD
23	72313268	2	NUT	DIN 934 M8-8A3L
24	72317121	2	SPRING WASHER	DIN 137 B8-MECH.VZK
27	72313796	1	TENSIONING PIN	ISO8752-3X18-A-ST-OB3 FWN10256
28	72313808	1	TENSIONING PIN	ISO8752-5X18-A-ST-OB3
32			SEE SPEED CONTROL MANUAL OPERATION	
33			SEE SPEED CONTROL FOOT OPERATION	
34	72316362	1	BALL SOCKET	
35	72316303	1	BALL SOCKET	DIN 71805 B10-A3L
36	72317189	2	SECURING CLIP	DIN71805 S10-A3L
37	72313852	1	BALL PIN	DIN 71803-C10-ST-A3L
38	72313266	1	NUT	DIN 934 M6-8A3L



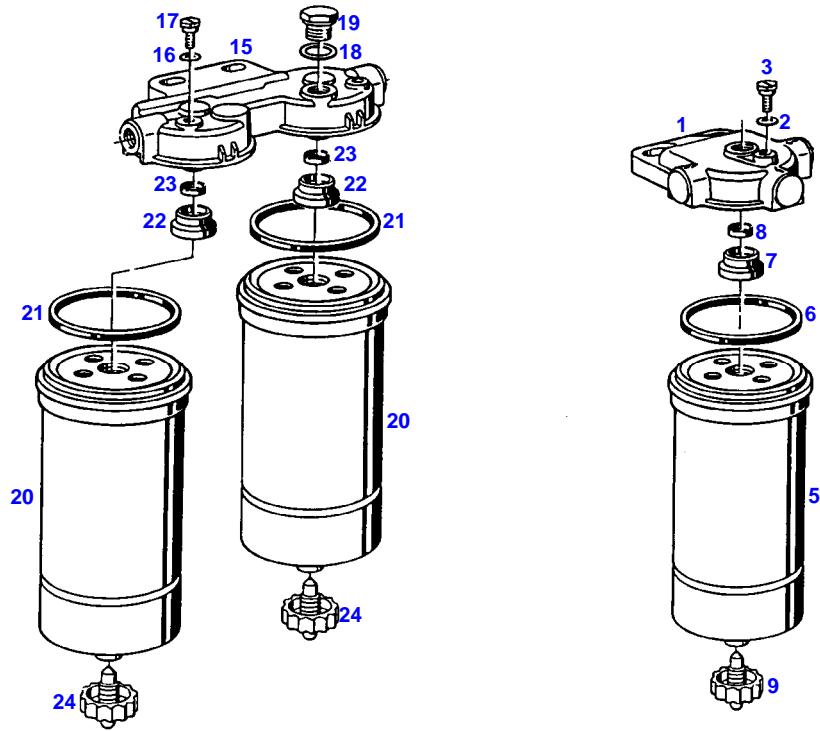
034610

Item	Part Number	Qty	Description Comments
1	72347926	1	LIFTING MAGNET ><4-6
2			SEE CABLE LOOMS
4	72435344	1	BELLOWS
5	72435345	1	LINK ROD
6	72435346	1	LEVER

GT 370GT (148/00101-99999)
12781

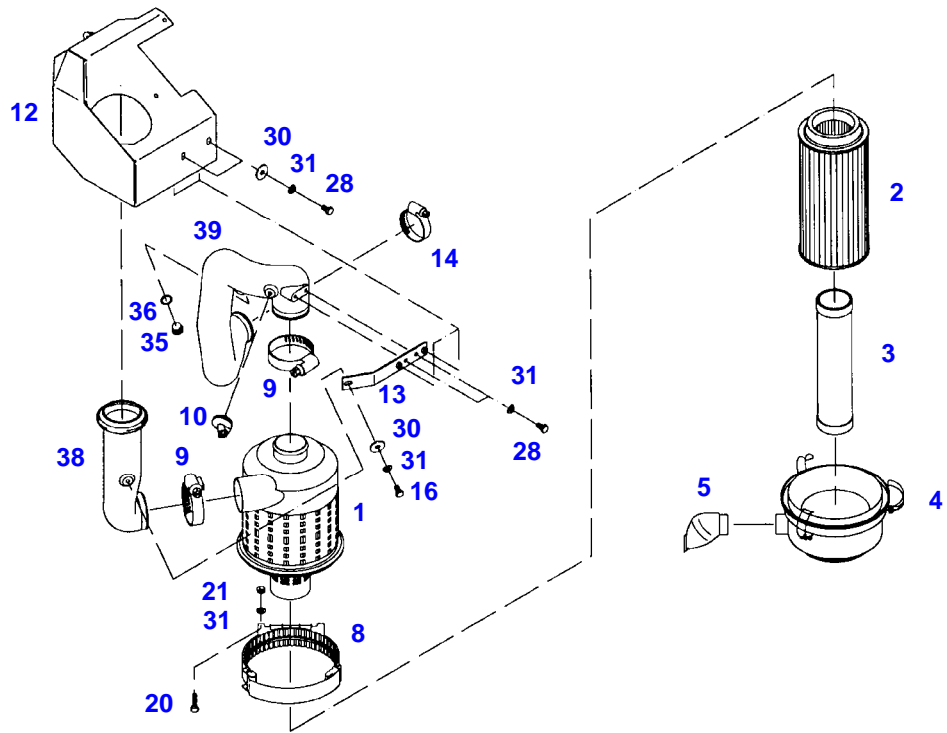


Item	Part Number	Qty	Description Comments	Technical Specification
1	72417205	1	FUEL TANK >>3-5 --> 148/1111 <> <>	
	72311209	1	THRUST RING	
	72433112	1	STRAINER	60X100-MS
	72313479	1	O-RING	48X4-NBR 70 FWN56402
	72418883	1	REDUCING STUD	
	72313443	1	O-RING	20X3-NBR 70 FWN56402
2	72433112	1	STRAINER	60X100-MS
3	72380143	1	FUEL CAP >>4-5	M.BELUEF
4	72330725	1	SEAL	
5	72330726	1	SEAL	
6			NO LONGER AVAILABLE	
7	72425847	1	FUEL LEVEL SENSOR	
8	72315169	1	SEALING WASHER	
9	72450972	1	PROTECTIVE SECTION 1X 650 MM CUT TO LENGTH	L=920 FWN 63040 H01
10	72407995	2	BAND CLAMP	
11	72314283	1	BOOST PIPE	
12	72374432	1	HEXAGONAL HEAD BOLT	DIN 933 M8X100-8.8A3L
13	72372785	1	SQUARE NUT	DIN 557 M8-A3L
14	72450972	1	PROTECTIVE SECTION 1X 400 MM CUT TO LENGTH	L=920 FWN 63040 H01
15	72363810	1	BAND CLAMP	
16	72313320	3	NUT	DIN6925-M8-8-A3L
17	72315053	3	SPLIT WASHER	FWN 65208-8-A3L
18	72313320	1	NUT	DIN6925-M8-8-A3L
19	72435830	1	PRESSURE HOSE 1370 MM CUT TO LENGTH	L=2100
20	72438345	6	HOSE CLIP	
21	72380159	1	FUEL SHUT-OFF VALVE	
22	72315093	3	SEALING WASHER	DIN 7603 A12X18-CU
23	72315094	12	SEALING WASHER	DIN 7603 A14X18-CU
24	72377530	1	RING HOSE NIPPLE	FWN65910-A-DN2
25	72323696	1	BANJO BOLT	
26	72315086	3	SEALING WASHER	DIN 7603 A8X11,5-CU
27	72363812	1	FUEL LINE	
28	72450354	1	PRESSURE HOSE 1570 MM CUT TO LENGTH	L=2350
29	72363812	1	FUEL LINE	
30	72316916	2	CABLE STRAP	FWN 66650 B175X4-SW
31	72315808	5	BANJO BOLT	DIN 7643-10-3-A3L
32	72315657	2	HEXAGONAL HEAD BOLT	DIN 933 M8 X 30-8.8A3L
34	72313320	2	NUT	DIN6925-M8-8-A3L
35	72311824	4	DISC	DIN9021-8,4-140HV-A3L
38	72377531	2	RING HOSE NIPPLE	FWN65910-A-DN8
39	72313479	1	O-RING	48X4-NBR 70 FWN56402
40			SEE FUEL FILTER	
42	72418883	1	REDUCING STUD	
43	72311209	1	THRUST RING	
44	72313443	1	O-RING	20X3-NBR 70 FWN56402
46	72424096	1	REDUCING STUD	GRS8-6
47	72450353	1	PRESSURE HOSE 80 MM CUT TO LENGTH	L=200
49	72418921	1	LINING	



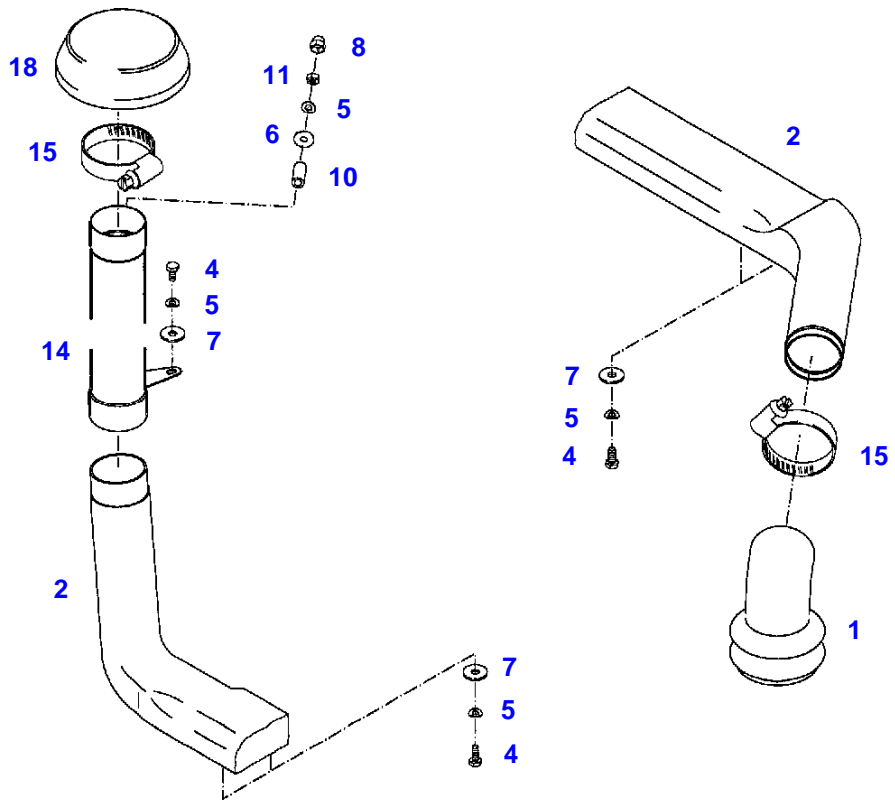
8336

Item	Part Number	Qty	Description Comments	Technical Specification
1	72350004	1	FILTER ><2-9	
2	72315084	1	SEALING WASHER	DIN 7603 A6X10-CU
3	72323290	1	BLEED SCREW	
5	72416928	1	FILTER BOX ><6-9	
6	72314995	1	RUBBER RING	
7				
			NOT AVAILABLE IN SINGLE PARTS	
8				
			NOT AVAILABLE IN SINGLE PARTS	
9	72380174	1	SCREW	
15	72380173	1	PARALLEL FILTER BOSCH ><16-24 <-- X810.190.166.000 1X <>	
	72416928	2	FILTER BOX	
	72451307	1	COVER KNECHT ><16,17 <>	PARALLELFILT.
	72416928	2	FILTER BOX	
16	72315084	1	SEALING WASHER BOSCH	DIN 7603 A6X10-CU
	72314699	2	BLEED SCREW KNECHT	
17	72323290	1	BLEED SCREW BOSCH	
	72315086	2	SEALING WASHER KNECHT	DIN 7603 A8X11,5-CU
18	72315094	1	SEALING WASHER BOSCH	DIN 7603 A14X18-CU
19	72326250	1	SCREW BOSCH	
20	72416928	2	FILTER BOX ><21-24	
21	72314995	2	RUBBER RING	
22				
			NOT AVAILABLE IN SINGLE PARTS	
23				
			NOT AVAILABLE IN SINGLE PARTS	
24	72380174	2	SCREW	



030484

Item	Part Number	Qty	Description Comments	Technical Specification
1	72414980	1	AIR FILTER ><2-8	
2	72317652	1	FILTER CARTRIDGE	
3	72317653	1	SAFETY CARTRIDGE	
4	72415922	1	COVER	
5	72317656	1	DUST DISCHARGE VALVE	
8	72347459	1	RETAINER	
9	72311172	2	HOSE CLIP	
10			SEE ELECTRICAL SYSTEM SWITCH	
12	72425191	1	COVER	
13	72317771	1	ANGLE	
14	72311171	1	HOSE CLIP	
16	72315642	1	HEXAGONAL HEAD BOLT	DIN 933 M8 X 16-8.8A3L
20	72315660	2	HEXAGONAL HEAD BOLT	DIN 933 M8X35-8.8A3L
21	72313269	2	NUT	DIN 934 M8-8C2A
28	72315645	4	HEXAGONAL HEAD BOLT	DIN 933 M8 X 12-8.8A3L
30	72311822	3	DISC	DIN9021-6,4-140HV-A3L
31	72317121	7	SPRING WASHER	DIN 137 B8-MECH.VZK
35	72317613	1	SCREW	
36	72315101	1	NOT NEEDED WITH AIR BRAKE SEALING WASHER NOT NEEDED WITH AIR BRAKE	DIN 7603 A22X27-CU
38	72414810	1	INTAKE MANIFOLD	
39	72390991	1	AIR INTAKE HOSE	



031704

Thank you so much for reading.
Please click the “Buy Now!”
button below to download the
complete manual.



After you pay.

You can download the most
perfect and complete manual in
the world immediately.

Our support email:

ebooklibonline@outlook.com