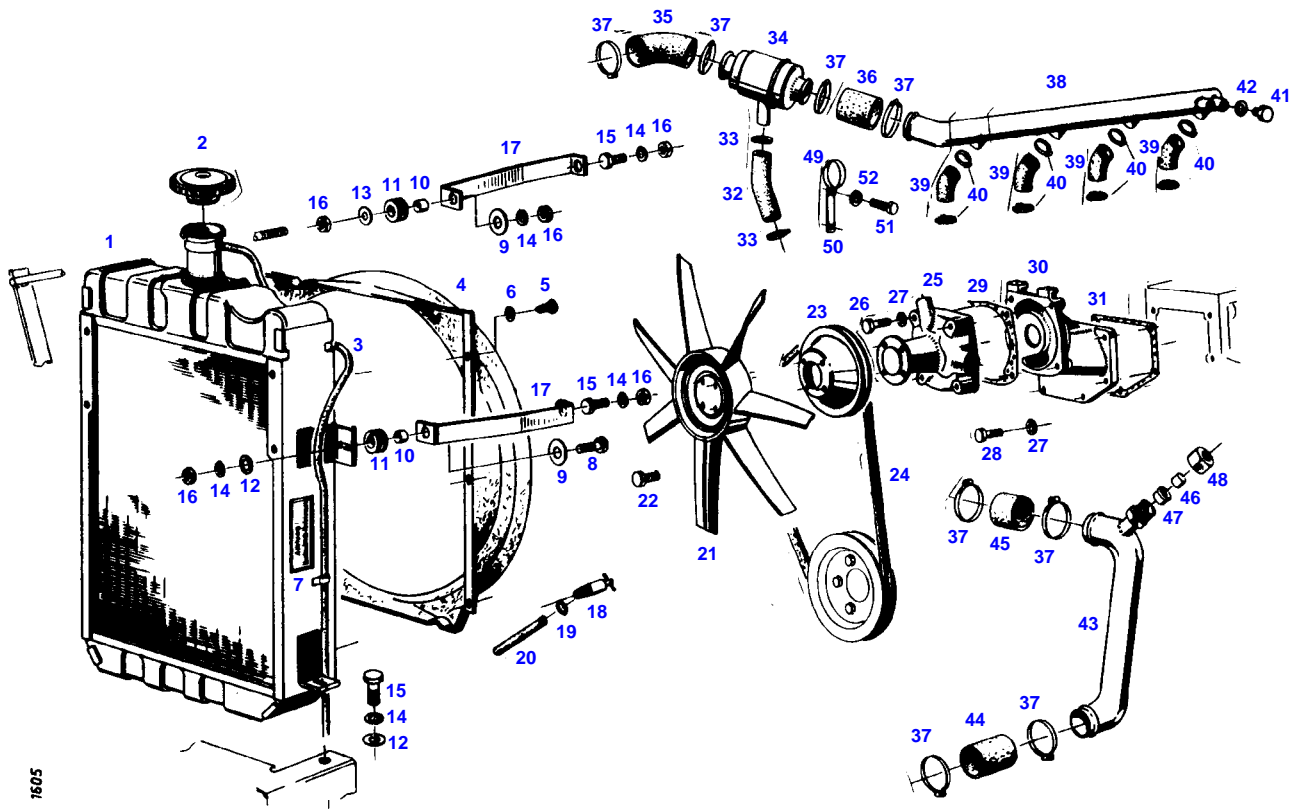


Page Number	Page Title	Page Reference
01-000-TOC	ENGINE, FUEL AND EXHAUST SYSTEM	01-000-TOC
02-000-TOC	AXLES	02-000-TOC
03-000-TOC	STEERING SYSTEM	03-000-TOC
04-000-TOC	DRIVE TRAIN SYSTEM	04-000-TOC
05-000-TOC	COMPRESSED AIR SYSTEM	05-000-TOC
06-000-TOC	HYDRAULIC SYSTEM	06-000-TOC
07-000-TOC	ELECTRICAL SYSTEM	07-000-TOC
08-000-TOC	CAB	08-000-TOC
09-000-TOC	AIR CONDITIONING AND HEATING SYSTEM	09-000-TOC
10-000-TOC	CHASSIS	10-000-TOC
11-000-TOC	WHEELS	11-000-TOC
12-000-TOC	IMPLEMENT LIFT SYSTEM FRONT	12-000-TOC
13-000-TOC	IMPLEMENT LIFT SYSTEM REAR	13-000-TOC
14-000-TOC	FRONT/REAR LOADERS	14-000-TOC
15-000-TOC	ATTACHMENTS	15-000-TOC
16-000-TOC	ACCESSORIES	16-000-TOC

FARMER 306 (168/00001-11500)
1605



1605

Item	Part Number	Qty	Description Comments	Technical Specification
			RANGE OF TEMPERATURE 1 --> 168/10366	
1	72348099	1	RADIATOR >>1-3	
2	72478248	1	COLLER LOCKING	
3	72436028	1	HOSE	L=1500FWN65912-10X2-PVC-W-G
4	72393668	1	FAN COVER	
5	72315818	4	SCREW	DIN7976-ST4,2X25-C-A3L
	72315787	2	SCREW	DIN 7981 B4,2X16-A3L
6	72311817	6	DISC	DIN9021-4,3-140HV-A3L
7	72379109	2	MARKING PLATE	FWN66556-35X68-SCHUTZVORR.N.OE
8	72315657	1	HEXAGONAL HEAD BOLT --> 168/1835	DIN 933 M8 X 30-8.8A3L
	72315660	1	HEXAGONAL HEAD BOLT <<- 168/1836	DIN 933 M8X35-8.8A3L
9	72311888	2	DISC	
10	72404345	2	SLEEVE --> 168/1835	
	72310718	2	BUSH <<- 168/1836	
11	72404344	2	UNIVERSAL SPOUT --> 168/1835	
	72312479	4	UNIVERSAL SPOUT <<- 168/1836	
12	72311788	3	DISC	DIN 125-8,4-ST.A3L
13	72311788	1	DISC	DIN 125-8,4-ST.A3L
14	72315053	6	SPLIT WASHER	FWN 65208-8-A3L
15	72315650	4	HEXAGONAL HEAD BOLT	DIN 933 M8 X 20-8.8A3L
16	72313268	5	NUT	DIN 934 M8-8A3L
17	72393671	2	BRACE --> 168/1835 <> <>	
	72310718	1	BUSH	
	72312479	2	UNIVERSAL SPOUT	
18	72378063	1	RELIEF VALVE	DIN71401-CM14X1,5KEG
19	72438345	1	HOSE CLIP	
20	72389310	1	HOSE	
21			SEE ENGINE BLOWER	
22			SEE ENGINE BLOWER	
23			SEE ENGINE BLOWER	
24			SEE ALTERNATOR ASSY	
25			SEE ENGINE BLOWER	
26			SEE ENGINE BLOWER	
27			SEE ENGINE BLOWER	
28			SEE ENGINE BLOWER	
29			SEE ENGINE BLOWER	
30			SEE ENGINE BLOWER	
31			SEE CRANKCASE	
32	72393670	1	RUBBER ARCH	
33	72311167	2	HOSE CLIP	
34	72380193	1	THERMOSTAT	75GR+-2GR
35	72393666	1	RUBBER ARCH	

Item	Part Number	Qty	Description Comments	Technical Specification
36	72450416	1	HOSE 1X 50MM CUT TO LENGTH	L=120 DIN73411-35X
37	72311162	8	HOSE CLIP	
38	72329110	1	COOLING WATER SUPPLY LINE	
39	72329731	4	RUBBER ARCH	
40	72311167	8	HOSE CLIP	
41	72315802	1	SCREW NOT NEEDED WITH HEATING	DIN 7604 AM22X1,5-ST
42	72315101	1	SEALING WASHER NOT NEEDED WITH HEATING	DIN 7603 A22X27-CU
43	72355717	1	SUCTION LINE --> 168/0746	
	72356699	1	SUCTION LINE <-- 168/0747 --> 168/8000	
	72356702	1	SUCTION LINE <-- 168/8001	
44	72450416	1	HOSE 1X 110MM CUT TO LENGTH --> 168/0746	L=120 DIN73411-35X
	72450416	1	HOSE 1X 60MM CUT TO LENGTH <-- 168/0747 --> 168/8000	L=120 DIN73411-35X
	72395412	1	RUBBER ARCH <-- 168/8001	
45	72450416	1	HOSE 1X 60MM CUT TO LENGTH --> 168/8000	L=120 DIN73411-35X
	72393672	1	REDUCER <-- 162/8001	
46	72393669	1	BOLT NOT NEEDED WITH HEATING --> 168/0746	
	72315802	1	SCREW NOT NEEDED WITH HEATING <-- 168/0747 --> 168/8000	DIN 7604 AM22X1,5-ST
47	72315165	1	CUTTING RING NOT NEEDED WITH HEATING --> 168/0746	DIN 3861-L18-ST-A3L
	72315101	1	SEALING WASHER NOT NEEDED WITH HEATING <-- 168/0747 --> 168/8000	DIN 7603 A22X27-CU
48	72313368	1	CONNECTING NUT --> 168/0746	DIN 3870 AL18-9S20K A3L
	72404925	1	CAP NOT NEEDED WITH HEATING <-- 168/8001	
	72311166	1	HOSE CLIP NOT NEEDED WITH HEATING <-- 168/8001	
49	72337051	2	PIPE CLAMP	
50	72332467	2	PLATE LINK	
	72315629	2	HEXAGONAL HEAD BOLT	DIN 933 M6 X 12-8.8A3L
	72315052	2	SPLIT WASHER	FWN 65208-6-A3L
51	72315630	2	HEXAGONAL HEAD BOLT	DIN 933 M6X18-8.8A3L
52	72315052	2	SPLIT WASHER	FWN 65208-6-A3L

Item	Part Number	Qty	Description Comments	Technical Specification
			RANGE OF TEMPERATURE 2 --> 168/10366	
1	72348541	1	RADIATOR >><1-3	
2	72478248	1	COLLER LOCKING	
3	72436028	1	HOSE	L=1500FWN65912-10X2-PVC-W-G
4	72393668	1	FAN COVER	
5	72315818	4	SCREW	DIN7976-ST4,2X25-C-A3L
	72315787	2	SCREW	DIN 7981 B4,2X16-A3L
6	72311817	6	DISC	DIN9021-4,3-140HV-A3L
7	72386100	2	WARNING SIGN D	
	72379109	2	MARKING PLATE GB	FWN66556-35X68-SCHUTZVORR.N.OE
	72388086	2	WARNING SIGN F	
	72379109	2	MARKING PLATE I	FWN66556-35X68-SCHUTZVORR.N.OE
	72388088	1	WARNING SIGN E	
8	72315657	1	HEXAGONAL HEAD BOLT --> 168/1835	DIN 933 M8 X 30-8.8A3L
	72315660	1	HEXAGONAL HEAD BOLT <-- 168/1836	DIN 933 M8X35-8.8A3L
9	72311888	2	DISC	
10	72404345	2	SLEEVE --> 168/1835	
	72310718	2	BUSH <-- 168/1836	
11	72404344	2	UNIVERSAL SPOUT --> 168/1835	
	72312479	4	UNIVERSAL SPOUT <-- 168/1836	
12	72311788	3	DISC	DIN 125-8,4-ST.A3L
13	72311788	1	DISC	DIN 125-8,4-ST.A3L
14	72315053	6	SPLIT WASHER	FWN 65208-8-A3L
15	72315650	4	HEXAGONAL HEAD BOLT	DIN 933 M8 X 20-8.8A3L
16	72313268	5	NUT	DIN 934 M8-8A3L
17	72393671	2	BRACE --> 168/1835 <> <>	
	72312479	2	UNIVERSAL SPOUT	
	72310718	1	BUSH	
18	72378063	1	RELIEF VALVE	DIN71401-CM14X1,5KEG
19	72438345	1	HOSE CLIP	
20	72389310	1	HOSE	
21			SEE ENGINE BLOWER	
22			SEE ENGINE BLOWER	
23			SEE ENGINE BLOWER	
24			SEE ALTERNATOR ASSY	
25			SEE ENGINE BLOWER	
26			SEE ENGINE BLOWER	
27			SEE ENGINE BLOWER	
28			SEE ENGINE BLOWER	
29			SEE ENGINE BLOWER	

Item	Part Number	Qty	Description Comments	Technical Specification
30			SEE ENGINE BLOWER	
31			SEE CRANKCASE	
32	72393670	1	RUBBER ARCH	
33	72311167	2	HOSE CLIP	
34	72380193	1	THERMOSTAT	75GR+-2GR
35	72393666	1	RUBBER ARCH	
36	72450416	1	HOSE 1X 50MM CUT TO LENGTH	L=120 DIN73411-35X
37	72311162	8	HOSE CLIP	
	72311162	8	HOSE CLIP	
38	72329110	1	COOLING WATER SUPPLY LINE	
	72356040	1	RESISTOR CABLE	
	72316916	1	CABLE STRAP	FWN 66650 B175X4-SW
39	72329731	4	RUBBER ARCH	
40	72311167	8	HOSE CLIP	
41	72315802	1	SCREW NOT NEEDED WITH HEATING	DIN 7604 AM22X1,5-ST
42	72315101	1	SEALING WASHER NOT NEEDED WITH HEATING	DIN 7603 A22X27-CU
43	72355717	1	SUCTION LINE --> 168/0746	
	72356699	1	SUCTION LINE <-- 168/0747 --> 168/8000	
	72356702	1	SUCTION LINE <-- 168/8001	
44	72450416	1	HOSE 1X 110MM CUT TO LENGTH --> 168/0746	L=120 DIN73411-35X
	72450416	1	HOSE 1X 60MM CUT TO LENGTH <-- 168/0747 --> 168/8000	L=120 DIN73411-35X
	72395412	1	RUBBER ARCH <-- 168/8001	
45	72450416	1	HOSE 1X 60MM CUT TO LENGTH --> 168/8000	L=120 DIN73411-35X
	72393672	1	REDUCER <-- 168/8001	
46	72393669	1	BOLT NOT NEEDED WITH HEATING --> 168/0746	
	72315802	1	SCREW NOT NEEDED WITH HEATING <-- 168/0747 --> 168/8000	DIN 7604 AM22X1,5-ST
47	72315165	1	CUTTING RING NOT NEEDED WITH HEATING --> 168/0746	DIN 3861-L18-ST-A3L
	72315101	1	SEALING WASHER NOT NEEDED WITH HEATING <-- 168/0747 --> 168/8000	DIN 7603 A22X27-CU
48	72313368	1	CONNECTING NUT --> 168/0746	DIN 3870 AL18-9S20K A3L
	72404925	1	CAP NOT NEEDED WITH HEATING <-- 168/8001	
	72311166	1	HOSE CLIP NOT NEEDED WITH HEATING <-- 168/8001	
49	72337051	2	PIPE CLAMP	
50	72332467	2	PLATE LINK	

Fendt

FARMER 306 (168/00001-11500)

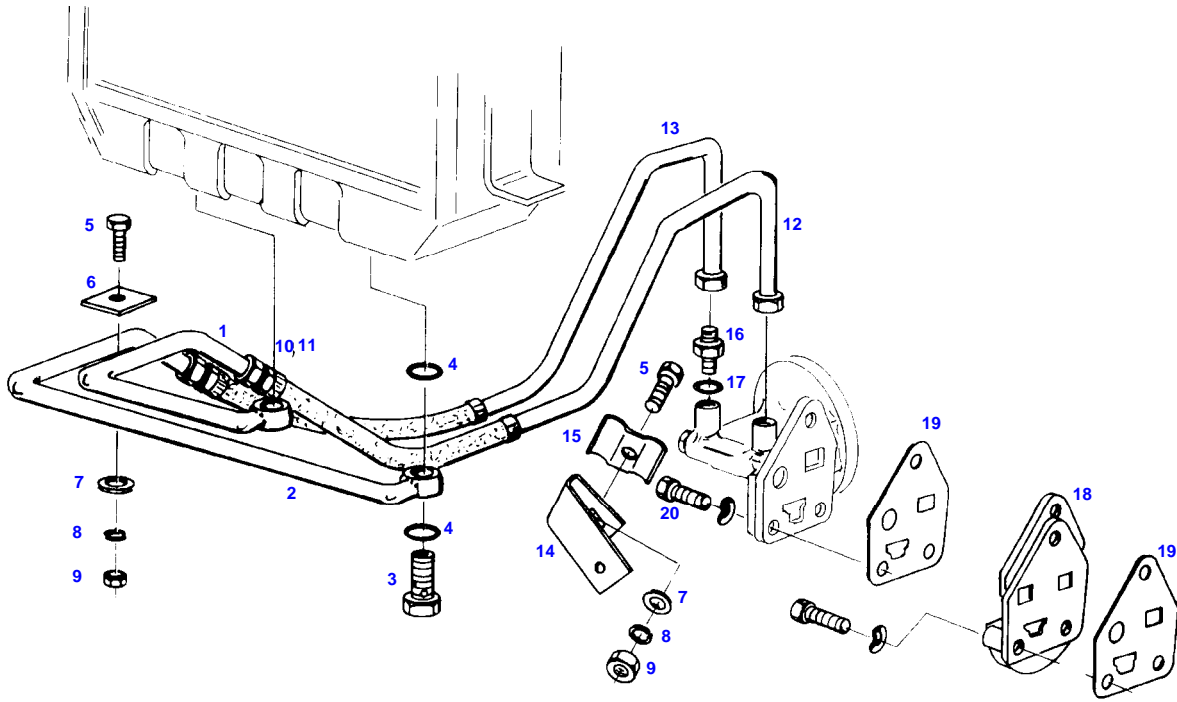
F168000

WATER COOLED RADIATOR

Page01-0005

Item	Part Number	Qty	Description Comments	Technical Specification
	72315629	2	HEXAGONAL HEAD BOLT	DIN 933 M6 X 12-8.8A3L
	72315052	2	SPLIT WASHER	FWN 65208-6-A3L
51	72315630	2	HEXAGONAL HEAD BOLT	DIN 933 M6X18-8.8A3L
52	72315052	2	SPLIT WASHER	FWN 65208-6-A3L

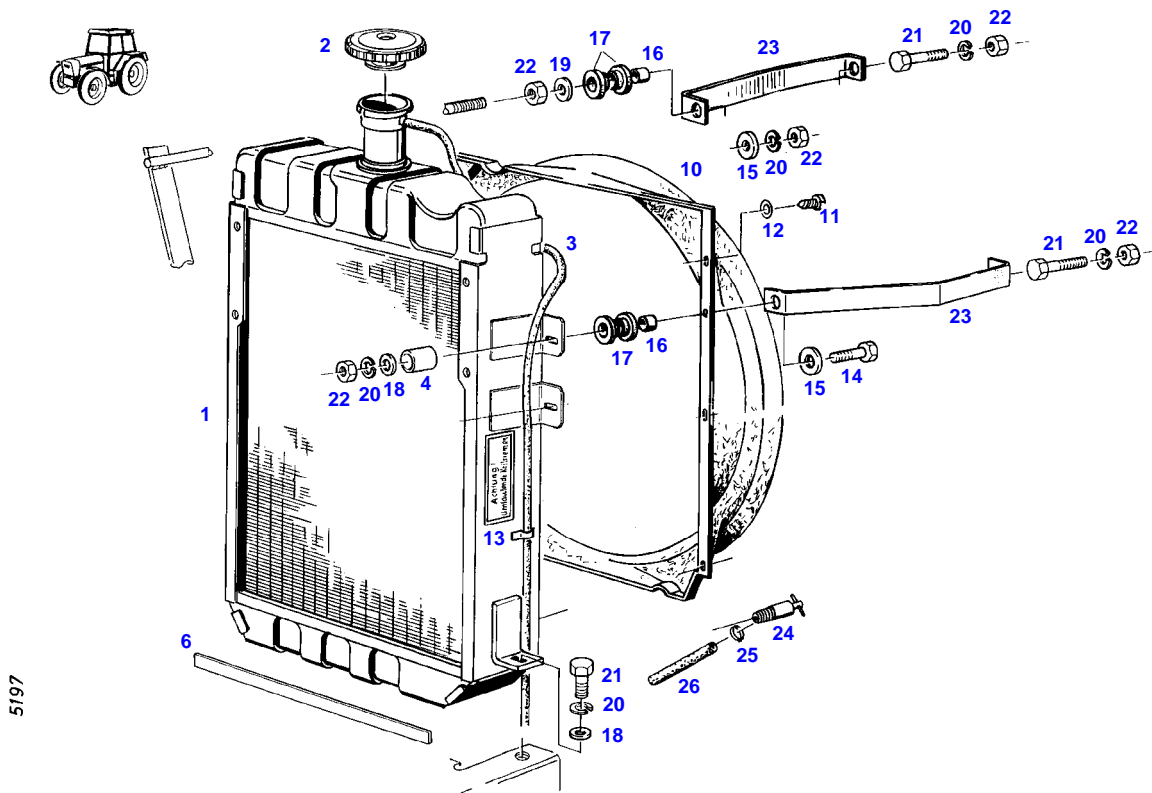
FARMER 306 (168/00001-11500)
2121



2121

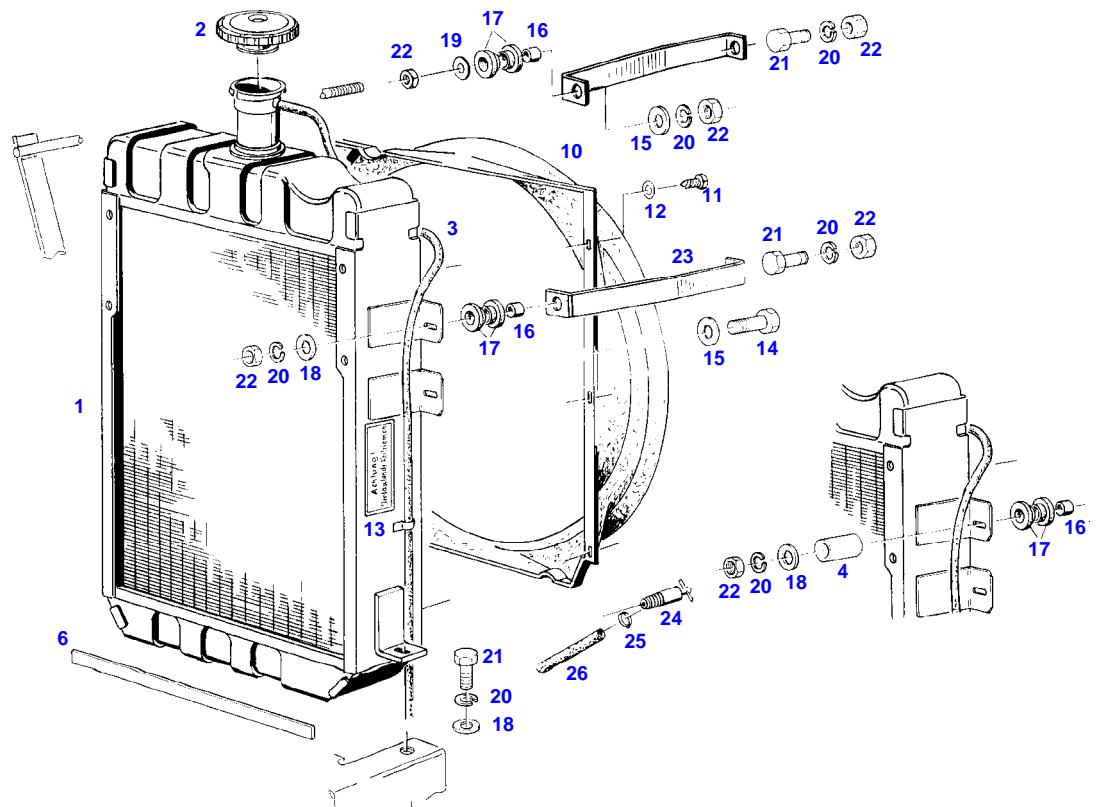
Item	Part Number	Qty	Description Comments	Technical Specification
			RANGE OF TEMPERATURE 2 --> 168/10366	
1	72356697	1	OIL LINE	
2	72356698	1	OIL LINE	
3	72315808	2	BANJO BOLT	DIN 7643-10-3-A3L
4	72315094	4	SEALING WASHER	DIN 7603 A14X18-CU
5	72315633	2	HEXAGONAL HEAD BOLT	DIN 933 M6X25-8.8A3L
6	72395407	1	PLATE	
7	72311787	2	DISC	DIN 125-6,4-ST.A3L
8	72315052	2	SPLIT WASHER	FWN 65208-6-A3L
9	72313266	2	NUT	DIN 934 M6-8A3L
10	72313365	2	CONNECTING NUT	DIN3870 AL10/M16X1.5-9S20K A3L
11	72315162	2	CUTTING RING	DIN 3861-L10-ST-A3L
12	72356700	1	HOSE LINE	
13	72356701	1	HOSE LINE	
14	72395406	1	RETAINING BRACKET	
15	72311266	1	CLIP	
16	72393673	2	SCREW NECK --> 168/2941	
	72377920	2	NOZZLE <-- 168/2942	A LL15X22
17	72315101	2	SEALING WASHER	DIN 7603 A22X27-CU
18	72395405	1	INTERMEDIATE PIECE --> 168/2941	
19	72327148	2	MOLDED SEAL --> 168/2941	
20	72315554	1	HEXAGONAL HEAD BOLT --> 168/2941	DIN 931 M10X65 GWA-10.9
	72374177	1	HEXAGONAL HEAD BOLT --> 168/2941	DIN 931 M10X45-8.8
	72315689	1	HEXAGONAL HEAD BOLT --> 168/2941	DIN 933 M10X35-8.8A3L
	72315685	1	HEXAGONAL HEAD BOLT --> 168/2941	DIN 933 M10X30-8.8A3L
	72315691	1	HEXAGONAL HEAD BOLT --> 168/2941	DIN 933 M10X40-8.8A3L
	72315691	2	HEXAGONAL HEAD BOLT <-- 168/2942	DIN 933 M10X40-8.8A3L
	72313776	1	STUD BOLT <-- 168/2942	DIN 939 M10X25-8.8
	72317122	5	SPRING WASHER	DIN 137 B10-MECH.VZK

FARMER 306 (168/00001-11500)
5197



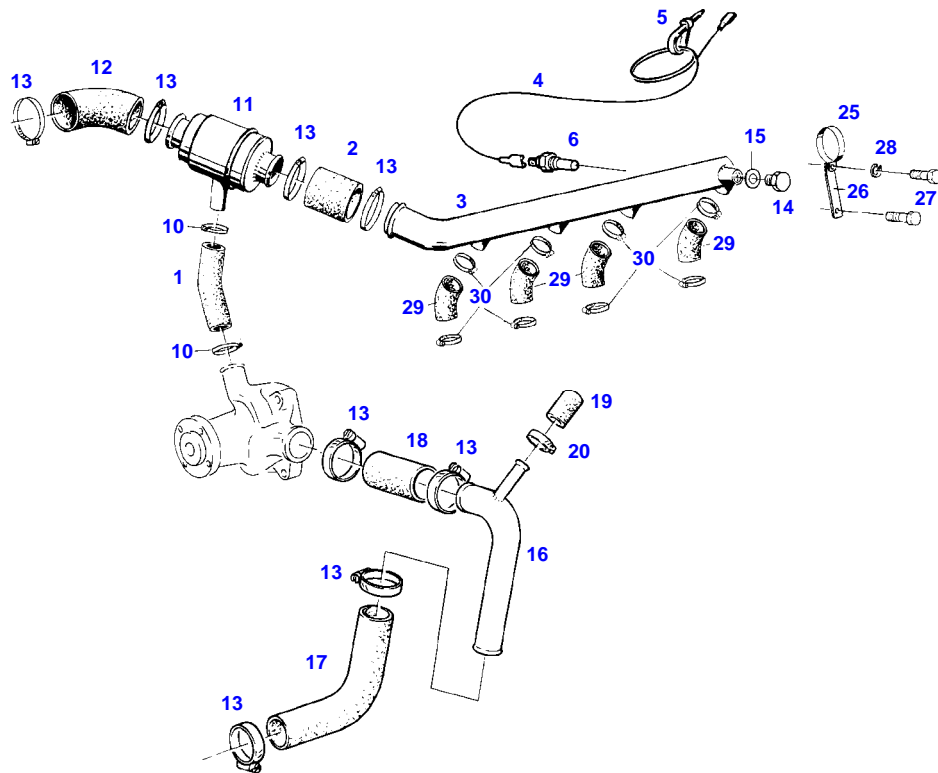
Item	Part Number	Qty	Description Comments	Technical Specification
			RANGE OF TEMPERATURE 1+1 WITH AIR BRAKE SUPPLY EQUIPEMENT RANGE OF TEMPERATURE 2+2 WITH AIR BRAKE SUPPLY EQUIPEMENT RANGE OF TEMPERATURE 1 WITH AIR CONDITION <-- 168/10367	
1	72348099	1	RADIATOR ><1-3	
2	72478248	1	COLLER LOCKING	
3	72436028	1	HOSE	L=1500FWN65912-10X2-PVC-W-G
4			NOT USED	
6			NO SPARE PART	
10	72393668	1	FAN COVER	
11	72315818	4	SCREW	DIN7976-ST4,2X25-C-A3L
	72315787	2	SCREW	DIN 7981 B4,2X16-A3L
12	72311817	6	DISC	DIN9021-4,3-140HV-A3L
13	72379109	2	MARKING PLATE	FWN66556-35X68-SCHUTZVORR.N.OE
14	72315660	1	HEXAGONAL HEAD BOLT	DIN 933 M8X35-8.8A3L
15	72311888	2	DISC	
16	72310718	2	BUSH	
17	72312479	4	UNIVERSAL SPOUT	
18	72311788	3	DISC	DIN 125-8,4-ST.A3L
19	72311788	1	DISC	DIN 125-8,4-ST.A3L
20	72315053	6	SPLIT WASHER	FWN 65208-8-A3L
21	72315650	4	HEXAGONAL HEAD BOLT	DIN 933 M8 X 20-8.8A3L
22	72313268	5	NUT	DIN 934 M8-8A3L
23	72393671	2	BRACE	
24	72378063	1	RELIEF VALVE	DIN71401-CM14X1,5KEG
25	72438345	1	HOSE CLIP	
26	72389310	1	HOSE	

FARMER 306 (168/00001-11500)
4259



Item	Part Number	Qty	Description Comments	Technical Specification
			RANGE OF TEMPERATURE 2 WITH AIR CONDITION <-- 168/10367	
1	72348191	1	RADIATOR ><1-3	
2	72478248	1	COLLER LOCKING	
3	72436028	1	HOSE	L=1500FWN65912-10X2-PVC-W-G
4	72400314	2	BUSH	
5	72315669	1	HEXAGONAL HEAD BOLT	DIN 933 M8X55-8.8A3L
6				
			NO SPARE PART	
10	72393668	1	FAN COVER	
11	72315818	4	SCREW	DIN7976-ST4,2X25-C-A3L
	72315787	2	SCREW	DIN 7981 B4,2X16-A3L
12	72311817	6	DISC	DIN9021-4,3-140HV-A3L
13	72379109	2	MARKING PLATE	FWN66556-35X68-SCHUTZVORR.N.OE
14	72315669	1	HEXAGONAL HEAD BOLT	DIN 933 M8X55-8.8A3L
15	72311888	2	DISC	
16	72310718	2	BUSH	
17	72312479	4	UNIVERSAL SPOUT	
18	72311788	3	DISC	DIN 125-8,4-ST.A3L
19	72311788	1	DISC	DIN 125-8,4-ST.A3L
20	72315053	6	SPLIT WASHER	FWN 65208-8-A3L
21	72315650	4	HEXAGONAL HEAD BOLT	DIN 933 M8 X 20-8.8A3L
22	72313268	5	NUT	DIN 934 M8-8A3L
23	72393671	2	BRACE	
24	72378063	1	RELIEF VALVE	DIN71401-CM14X1,5KEG
25	72438345	1	HOSE CLIP	
26	72389310	1	HOSE	

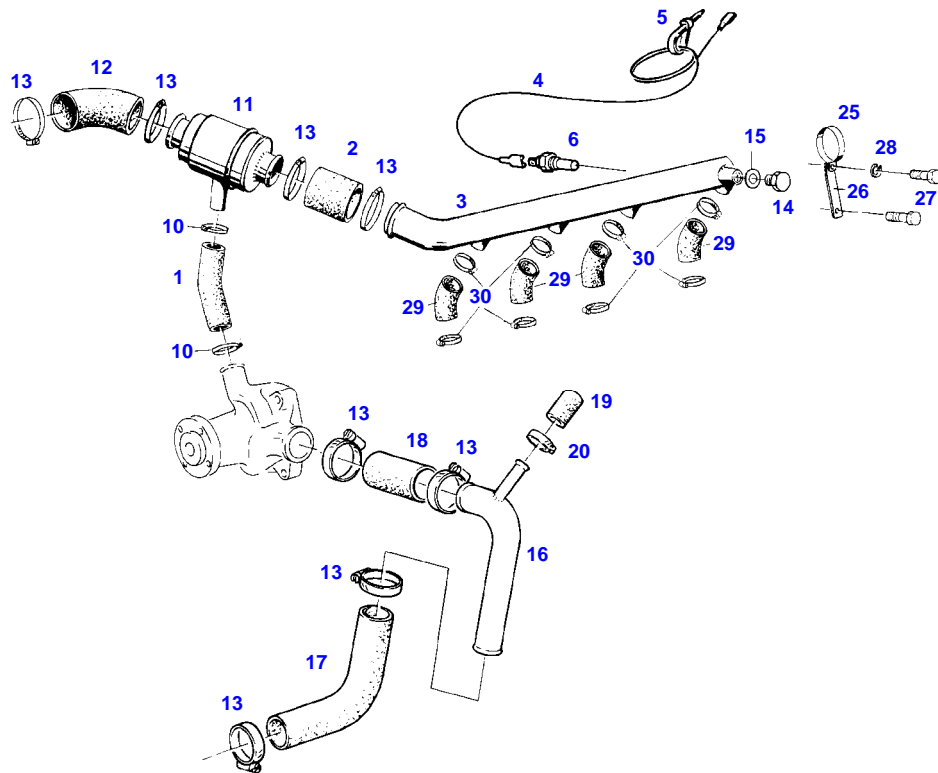
FARMER 306 (168/00001-11500)
4261



4261

Item	Part Number	Qty	Description Comments	Technical Specification
			RANGE OF TEMPERATURE 1+1 WITH AIR BRAKE SUPPLY EQUIPEMENT <-- 168/10367	
1	72393670	1	RUBBER ARCH	
2	72450416	1	HOSE 1X 45MM CUT TO LENGTH	L=120 DIN73411-35X
3	72329110	1	COOLING WATER SUPPLY LINE	
4			NOT USED	
5			NOT USED	
6			SEE LIGHTS AND HORN	
10	72311167	2	HOSE CLIP	
11	72380193	1	THERMOSTAT	75GR+-2GR
12	72393666	1	RUBBER ARCH	
13	72311162	8	HOSE CLIP	
14	72315802	1	SCREW	DIN 7604 AM22X1,5-ST
15	72315101	1	SEALING WASHER	DIN 7603 A22X27-CU
16	72356702	1	SUCTION LINE	
17	72395412	1	RUBBER ARCH	
18	72393672	1	REDUCER	
19	72404925	1	CAP	
20	72311167	1	HOSE CLIP	
25	72337051	2	PIPE CLAMP	
26	72332467	2	PLATE LINK	
27	72315630	2	HEXAGONAL HEAD BOLT	DIN 933 M6X18-8.8A3L
28	72315052	2	SPLIT WASHER	FWN 65208-6-A3L
29	72329731	4	RUBBER ARCH	
30	72311167	8	HOSE CLIP	

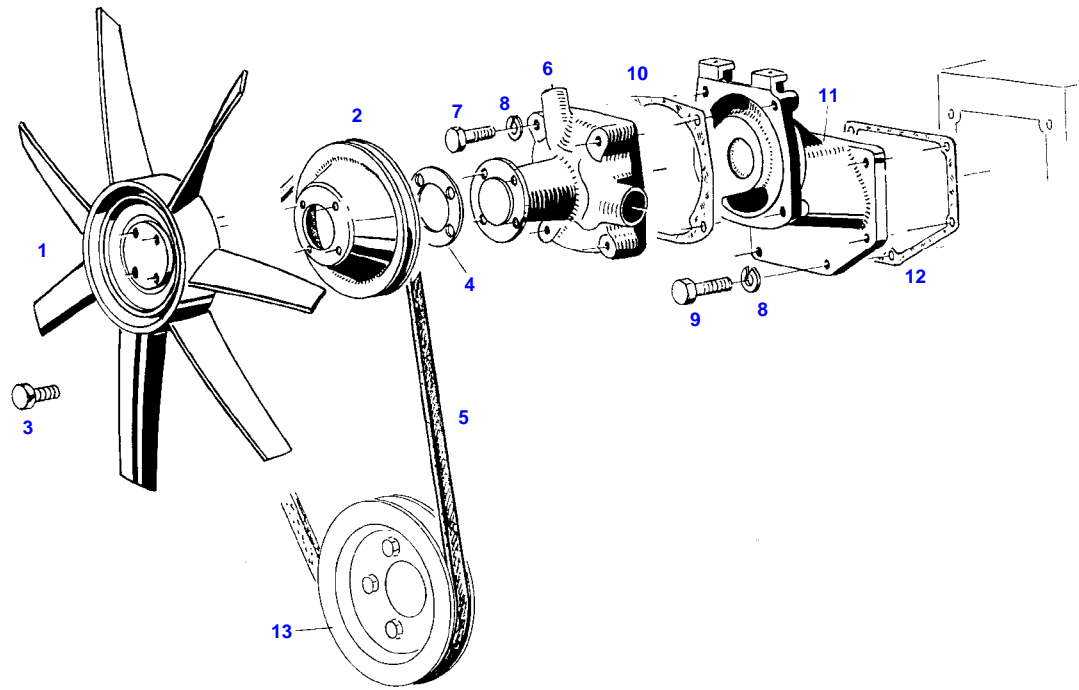
FARMER 306 (168/00001-11500)
4261



4261

Item	Part Number	Qty	Description Comments	Technical Specification
			RANGE OF TEMPERATURE 2+2 WITH AIR BRAKE SUPPLY EQUIPEMENT RANGE OF TEMPERATURE 1+2 WITH AIR CONDITION <-- 168/10367	
1	72392140	1	RUBBER ARCH	
2	72436027	1	HOSE 1X 120MM	L=320 DIN73411-25X3,5 R
3	72332460	1	COOLING WATER SUPPLY LINE	
4	72356040	1	RESISTOR CABLE	
5	72316916	1	CABLE STRAP	FWN 66650 B175X4-SW
6				
			SEE LIGHTS AND HORN	
10	72311167	2	HOSE CLIP	
11	72380193	1	THERMOSTAT	75GR+-2GR
12	72393666	1	RUBBER ARCH	
13	72311162	8	HOSE CLIP	
14	72315802	1	SCREW	DIN 7604 AM22X1,5-ST
15	72315101	1	SEALING WASHER	DIN 7603 A22X27-CU
16	72356702	1	SUCTION LINE	
17	72395412	1	RUBBER ARCH	
18	72393672	1	REDUCER	
19	72404925	1	CAP	
20	72311167	1	HOSE CLIP	
25	72337051	2	PIPE CLAMP	
26	72332467	2	PLATE LINK	
27	72315630	2	HEXAGONAL HEAD BOLT	DIN 933 M6X18-8.8A3L
28	72315052	2	SPLIT WASHER	FWN 65208-6-A3L
29	72329731	4	RUBBER ARCH	
30	72311167	8	HOSE CLIP	

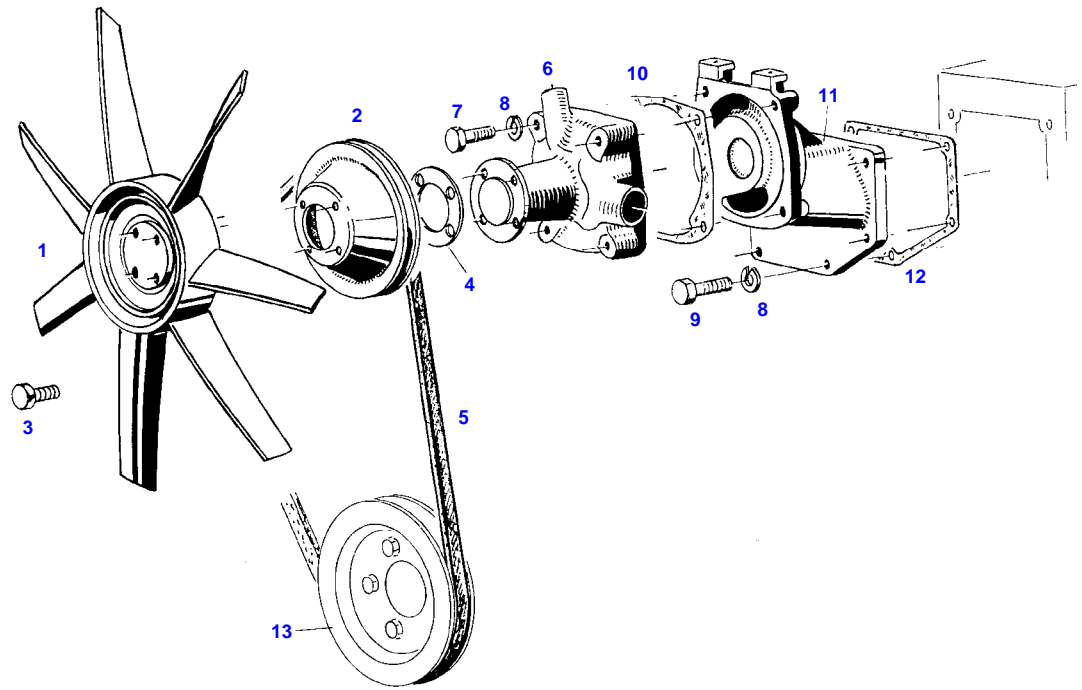
FARMER 306 (168/00001-11500)
4267



4267

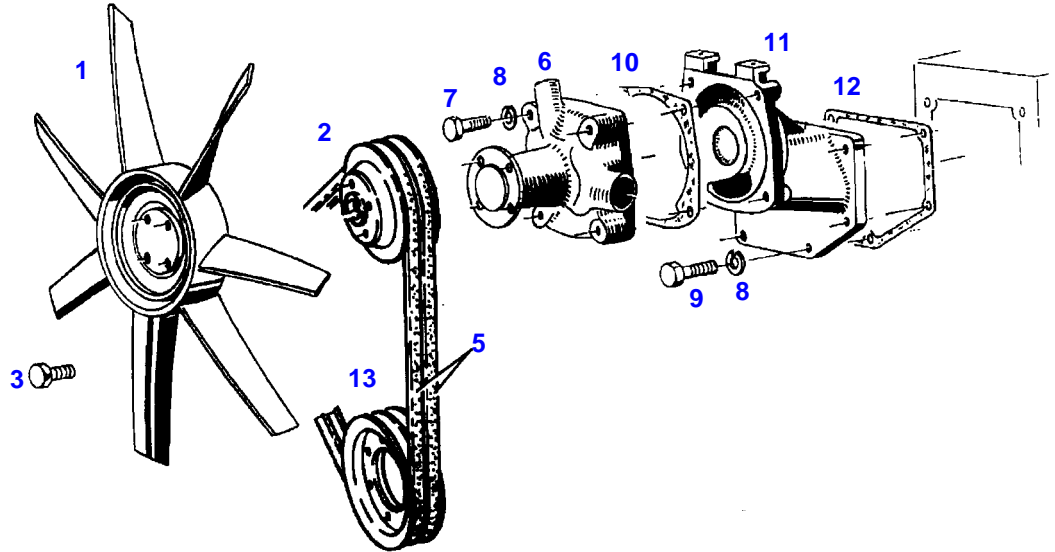
Item	Part Number	Qty	Description Comments	Technical Specification
RANGE OF TEMPERATURE 1				
1	72331298	1	FAN	
2	72327206	1	V BELT SHEAVE	
3	72375063	4	LOCK SCREW	FWN 64993 M8X22-12.9
4	72394835	1	DISC	
5				
6	72340133	1	SEE ALTERNATOR ASSY CENTRIFUGAL PUMP --> 168/10366	
	72343555	1	CENTRIFUGAL PUMP <-- 168/10367	
	72340135	1	REPAIR KIT --> 168/10366 <-- F281.200.610.010	
	72343940	1	REPAIR KIT <-- 168/10367	
7	72315659	4	HEXAGONAL HEAD BOLT	DIN 933 M8X35-8.8
8	72315053	10	SPLIT WASHER	FWN 65208-8-A3L
9	72315654	6	HEXAGONAL HEAD BOLT	DIN 933 M8X28-8.8A3L
10	72328678	1	SEAL	
11	72330788	1	INTERMEDIATE PIECE <-- F162.204.610.010	
12				
			SEE CRANKCASE	
13				
			SEE CRANKSHAFT	

FARMER 306 (168/00001-11500)
4267



4267

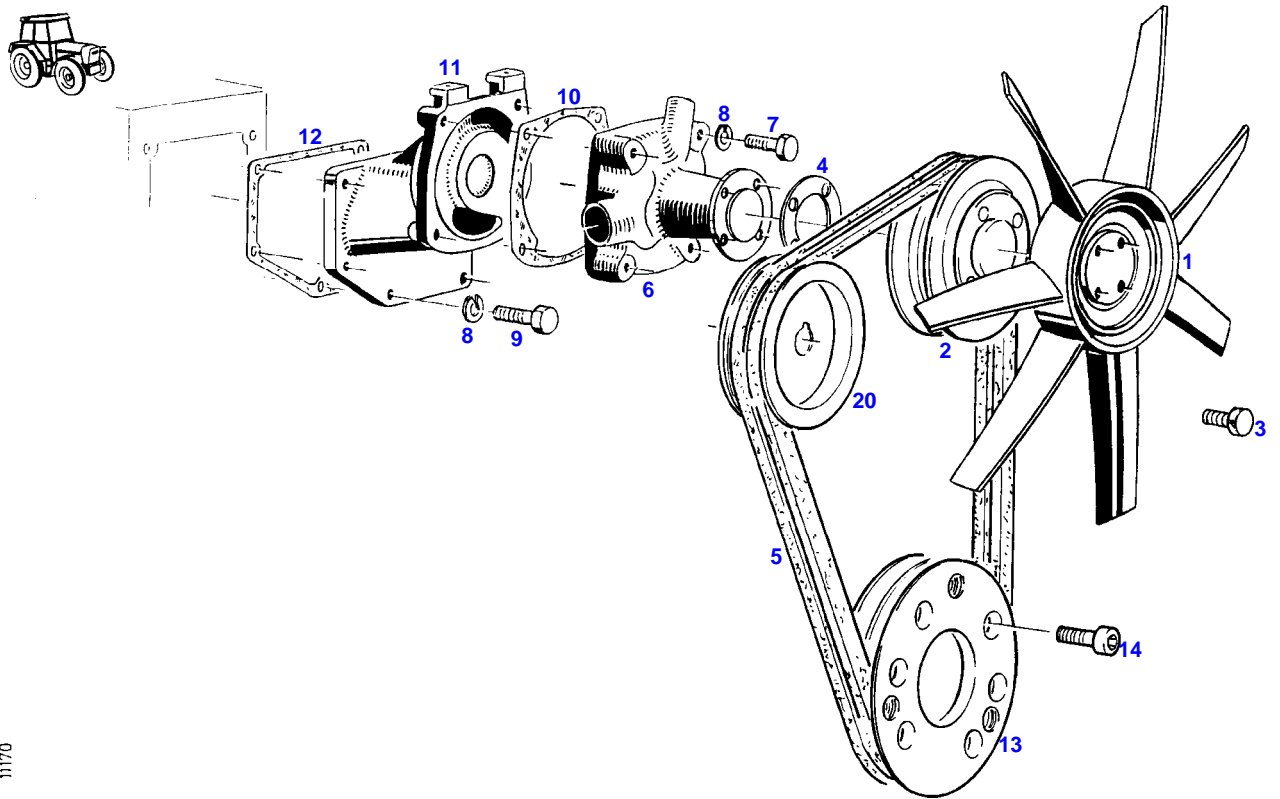
Item	Part Number	Qty	Description Comments	Technical Specification
RANGE OF TEMPERATURE 2				
1	72380200	1	FAN	455/7
2	72399923	1	V BELT SHEAVE	
3	72375067	4	LOCK SCREW	FWN 64993 M8X35-90
4				
5			NOT USED	
6	72340133	1	SEE ALTERNATOR ASSY CENTRIFUGAL PUMP --> 168/8000	
	72343555	1	CENTRIFUGAL PUMP <-- 168/8001	
	72340135	1	REPAIR KIT --> 168/8000 <-- F281.200.610.010	
	72343940	1	REPAIR KIT <-- 168/8001	
7	72315659	4	HEXAGONAL HEAD BOLT	DIN 933 M8X35-8.8
8	72315053	10	SPLIT WASHER	FWN 65208-8-A3L
9	72315654	6	HEXAGONAL HEAD BOLT	DIN 933 M8X28-8.8A3L
10	72328678	1	SEAL	
11	72330788	1	INTERMEDIATE PIECE <-- F162.204.610.010	
12			SEE CRANKCASE	
13			SEE CRANKSHAFT	



01160

Item	Part Number	Qty	Description Comments	Technical Specification
AIR BRAKIN SYSTEM				
1	72331298	1	FAN	
2	72393674	1	V BELT SHEAVE	
3	72375066	4	LOCK SCREW	FWN 64993-M8X30-90
5			SEE COMPRESSOR INSTALLAT	
6	72340133	1	CENTRIFUGAL PUMP --> 168/8000	
	72343555	1	CENTRIFUGAL PUMP <-- 168/8001	
	72340135	1	REPAIR KIT --> 168/8000 <-- F281.200.610.010	
	72343940	1	REPAIR KIT <-- 168/8001	
7	72315659	4	HEXAGONAL HEAD BOLT	DIN 933 M8X35-8.8
8	72315053	10	SPLIT WASHER	FWN 65208-8-A3L
9	72315654	6	HEXAGONAL HEAD BOLT	DIN 933 M8X28-8.8A3L
10	72328678	1	SEAL	
11	72330788	1	INTERMEDIATE PIECE <-- F162.204.610.010	
12			SEE CRANKCASE	
13			SEE COMPRESSOR INSTALLAT	

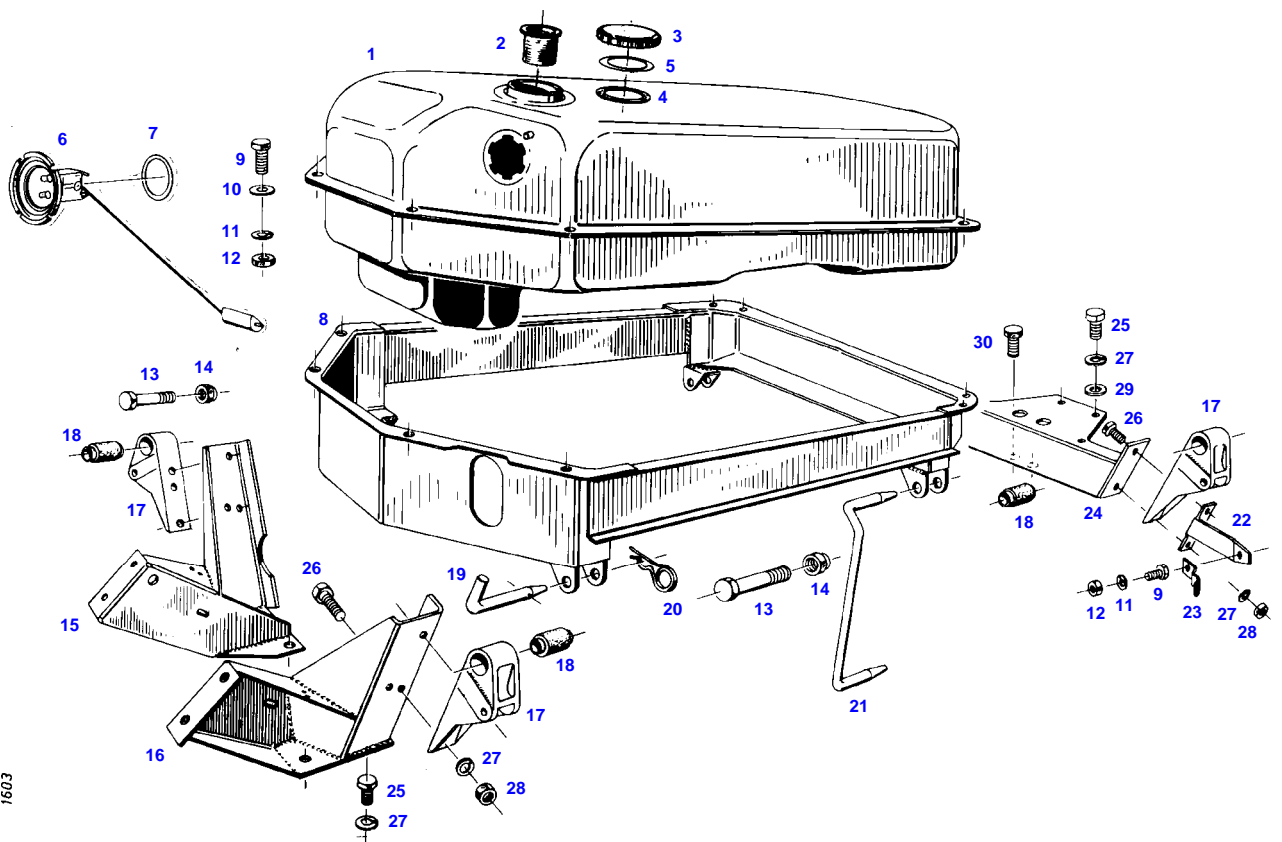
FARMER 306 (168/00001-11500)
11170



11170

Item	Part Number	Qty	Description Comments	Technical Specification
			AIR CONDITION <-- 168/8001	
1	72331298	1	FAN RANGE OF TEMPERATURE 1	
	72380200	1	FAN RANGE OF TEMPERATURE 2	455/7
2	72396003	1	V BELT SHEAVE	
3	72375063	4	LOCK SCREW RANGE OF TEMPERATURE 1	FWN 64993 M8X22-12.9
	72375067	4	LOCK SCREW RANGE OF TEMPERATURE 2	FWN 64993 M8X35-90
4	72394835	1	DISC RANGE OF TEMPERATURE 1	
5	72379399	1	V-BELT SET (2 PIECE)	FWN66966-2XAVX10X1215LA
6	72340133	1	CENTRIFUGAL PUMP --> 168/10366	
	72343555	1	CENTRIFUGAL PUMP <-- 168/10367	
	72340135	1	REPAIR KIT --> 168/10366 <-- F281.200.610.010	
	72343940	1	REPAIR KIT <-- 168/10367	
7	72315659	4	HEXAGONAL HEAD BOLT	DIN 933 M8X35-8.8
8	72315053	10	SPLIT WASHER	FWN 65208-8-A3L
9	72315654	6	HEXAGONAL HEAD BOLT	DIN 933 M8X28-8.8A3L
10	72328678	1	SEAL	
11	72330788	1	INTERMEDIATE PIECE --> 168/10366 <-- F162.204.610.010	
	72332585	1	INTERMEDIATE PIECE <-- 168/10367	
12			SEE CRANKCASE	
13	72396002	1	V BELT SHEAVE	
14	72315498	6	SOCKET HEAD BOLT	DIN 912 M10X40-8.8 OB1-SW
20			SEE ALTERNATOR ASSY	

FARMER 306 (168/00001-11500)
1603



1603

Thank you so much for reading.
Please click the “Buy Now!”
button below to download the
complete manual.



After you pay.

You can download the most
perfect and complete manual in
the world immediately.

Our support email:

ebooklibonline@outlook.com