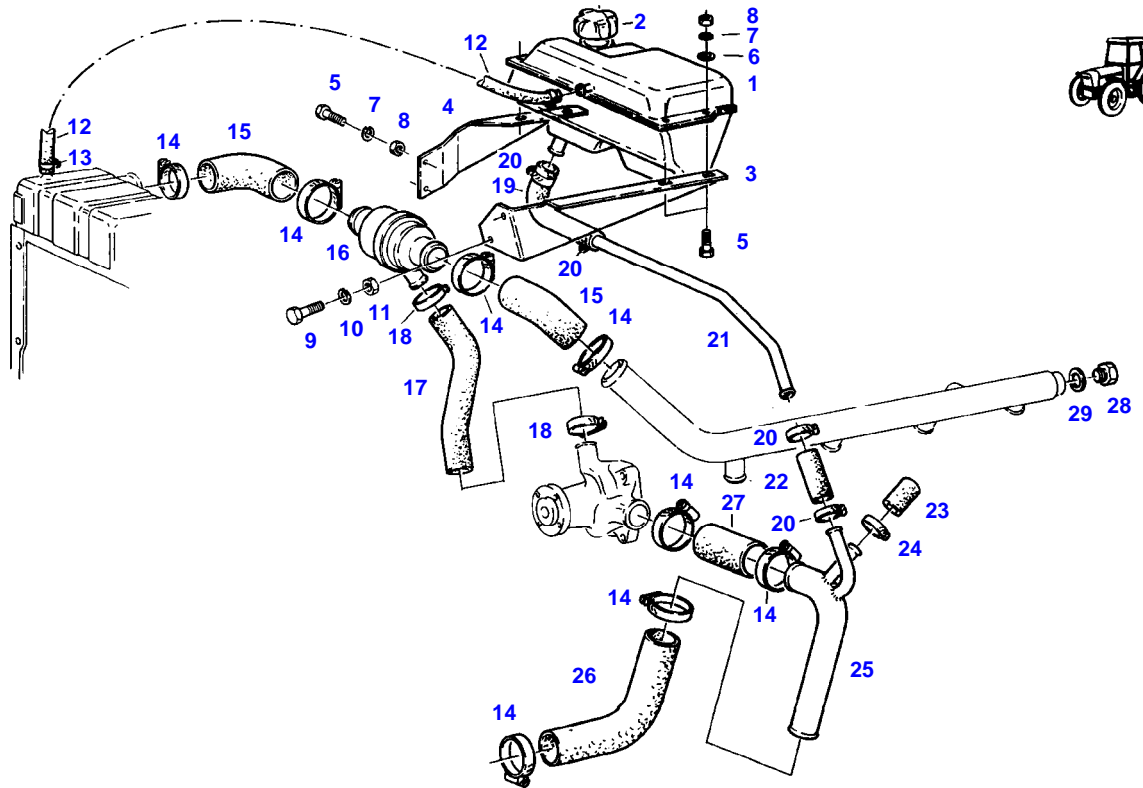


TABLE OF CONTENT

Page Number	Page Title	Page Reference
01-000-TOC	ENGINE, FUEL AND EXHAUST SYSTEM	01-000-TOC
02-000-TOC	AXLES	02-000-TOC
03-000-TOC	STEERING SYSTEM	03-000-TOC
04-000-TOC	DRIVE TRAIN SYSTEM	04-000-TOC
05-000-TOC	COMPRESSED AIR SYSTEM	05-000-TOC
06-000-TOC	HYDRAULIC SYSTEM	06-000-TOC
07-000-TOC	ELECTRICAL SYSTEM	07-000-TOC
08-000-TOC	CAB	08-000-TOC
09-000-TOC	CHASSIS	09-000-TOC
10-000-TOC	WHEELS	10-000-TOC
11-000-TOC	IMPLEMENT LIFT SYSTEM FRONT	11-000-TOC
12-000-TOC	IMPLEMENT LIFT SYSTEM REAR	12-000-TOC
13-000-TOC	FRONT/REAR LOADERS	13-000-TOC
14-000-TOC	ATTACHMENTS	14-000-TOC
15-000-TOC	ACCESSORIES	15-000-TOC

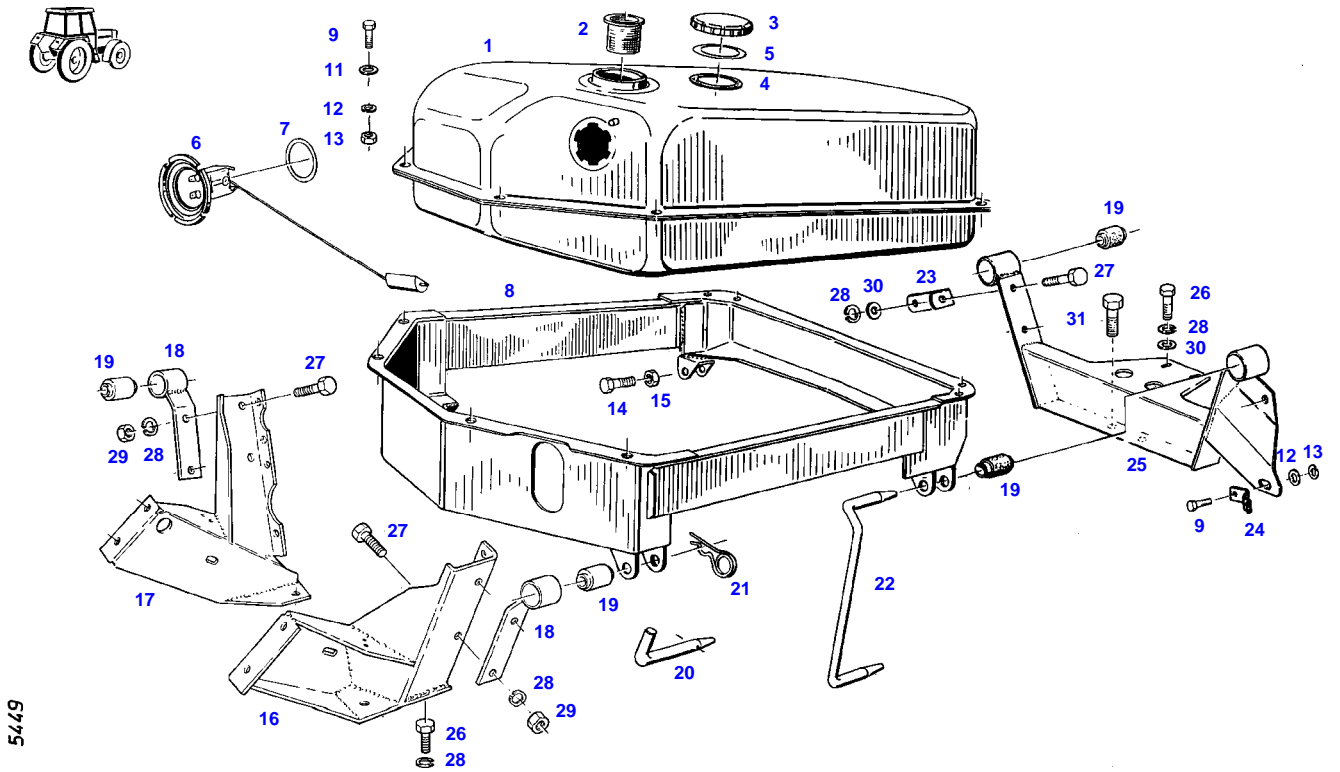
FARMER 307 (170/00001-02000)
5400



5400

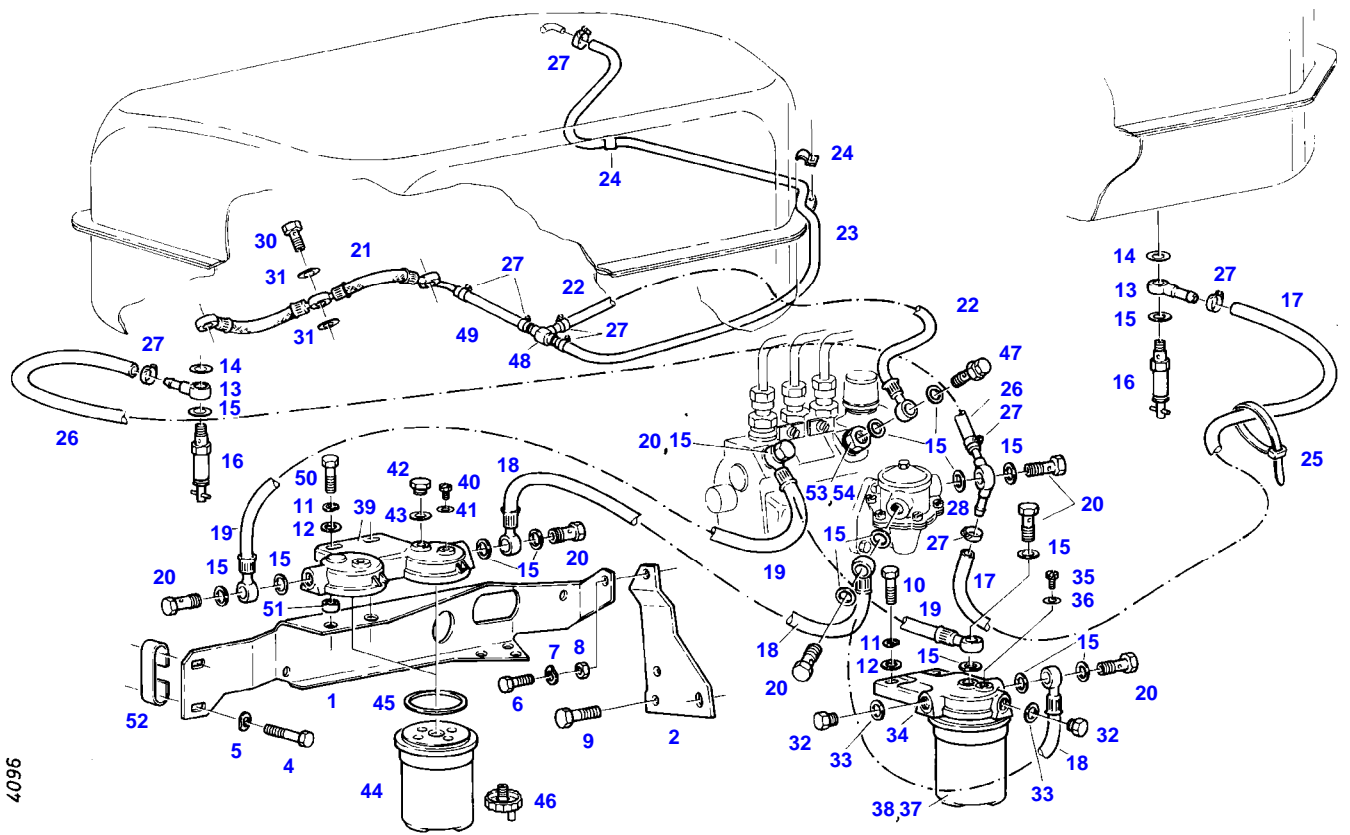
Item	Part Number	Qty	Description Comments	Technical Specification
			RANGE OF TEMPERATURE 1+1 WITH AIR BRAKE SUPPLY EQUIPEMENT RANGE OF TEMPERATURE 2+2 WITH AIR BRAKE SUPPLY EQUIPEMENT	
1	72316897	1	EXPANSION TANK	
			<>	
	72438345	1	HOSE CLIP	
	72409370	1	CAP	
2	72348672	1	COLLER LOCKING	
3	72392828	1	RETAINER	
4	72392829	1	RETAINER	
5	72315631	6	HEXAGONAL HEAD BOLT	DIN 933 M6 X 20-8.8A3L
6	72311822	4	DISC	DIN9021-6,4-140HV-A3L
7	72315052	6	SPLIT WASHER	FWN 65208-6-A3L
8	72313266	6	NUT	DIN 934 M6-8A3L
9	72315642	1	HEXAGONAL HEAD BOLT	DIN 933 M8 X 16-8.8A3L
10	72315053	1	SPLIT WASHER	FWN 65208-8-A3L
11	72313268	1	NUT	DIN 934 M8-8A3L
12	72622024	1	PRESSURE HOSE 185 MM CUT TO LENGTH	L=0,50M 8X3,5-FWN65911
13	72438345	2	HOSE CLIP	
14	72311162	8	HOSE CLIP	
15	72392831	2	RUBBER ARCH	
16	72380193	1	THERMOSTAT	75GR+-2GR
17	72392832	1	RUBBER ARCH	
18	72311167	2	HOSE CLIP	
19	72435869	1	RUBBER ARCH	
20	72311166	4	HOSE CLIP	
21	72392830	1	PIPE	
22	72450412	1	HOSE 50 MM CUT TO LENGTH	L=1000 18X3,5 R DIN 73411
23	72404925	1	CAP	
24	72311166	1	HOSE CLIP	
25	72357308	1	SUCTION LINE	
26	72395412	1	RUBBER ARCH	
27	72393672	1	REDUCER	
28	72315802	1	SCREW	DIN 7604 AM22X1,5-ST
29	72315101	1	SEALING WASHER	DIN 7603 A22X27-CU

FARMER 307 (170/00001-02000)
5449



Item	Part Number	Qty	Description Comments	Technical Specification
1	72348236	1	FUEL TANK <>	
	72348556	1	FUEL LEVEL SENSOR	
2	72433112	1	STRAINER	60X100-MS
3	72380143	1	FUEL CAP KOEHLER ><4	M.BELUEF
	72348297	1	FUEL CAP LOCKABLE BLAU ><4-5	
4	72330725	1	SEAL BLAU 2,5MM	
	72312304	1	RUBBER SEAL KOEHLER	
5	72330726	1	SEAL BLAU 0,5MM	
6	72613041	1	FUEL LEVEL SENSOR ><6+7	
7	72315169	1	SEALING WASHER	
8	72355536	1	TANK FRAME	
9	72315626	9	HEXAGONAL HEAD BOLT	DIN 933-M6 X 16-8.8-A3L
	72315631	2	HEXAGONAL HEAD BOLT	DIN 933 M6 X 20-8.8A3L
11	72311822	16	DISC	DIN9021-6,4-140HV-A3L
12	72315052	9	SPLIT WASHER	FWN 65208-6-A3L
13	72313266	9	NUT	DIN 934 M6-8A3L
14	72315719	2	HEXAGONAL HEAD BOLT	DIN 933 M12X60-8.8A3L
15	72313325	2	NUT	DIN 980-VM12-8-A3L
16	72355441	1	BRACKET	
17	72355440	1	BRACKET	
18	72356758	2	SUPPORT ARM	
19	72310644	4	RUBBER BUSHING	
20	72404932	1	BEARING PIN	
21	72311183	1	HAIR COTTER PIN	DIN 11024-4-A3L
22	72393676	1	BEARING PIN	
23	72393683	1	ANGLE	
24	72393680	1	LEAF SPRING	
25	72355727	1	CROSSMEMBER	
26	72315642	8	HEXAGONAL HEAD BOLT	DIN 933 M8 X 16-8.8A3L
27	72315653	5	HEXAGONAL HEAD BOLT	DIN 933 M8 X 25-8.8A3L
28	72315053	13	SPLIT WASHER	FWN 65208-8-A3L
29	72313268	4	NUT	DIN 934 M8-8A3L
30	72311788	3	DISC	DIN 125-8,4-ST.A3L
31	72315675	2	HEXAGONAL HEAD BOLT	DIN 933 M10X16-8.8A3L

FARMER 307 (170/00001-02000)
4096

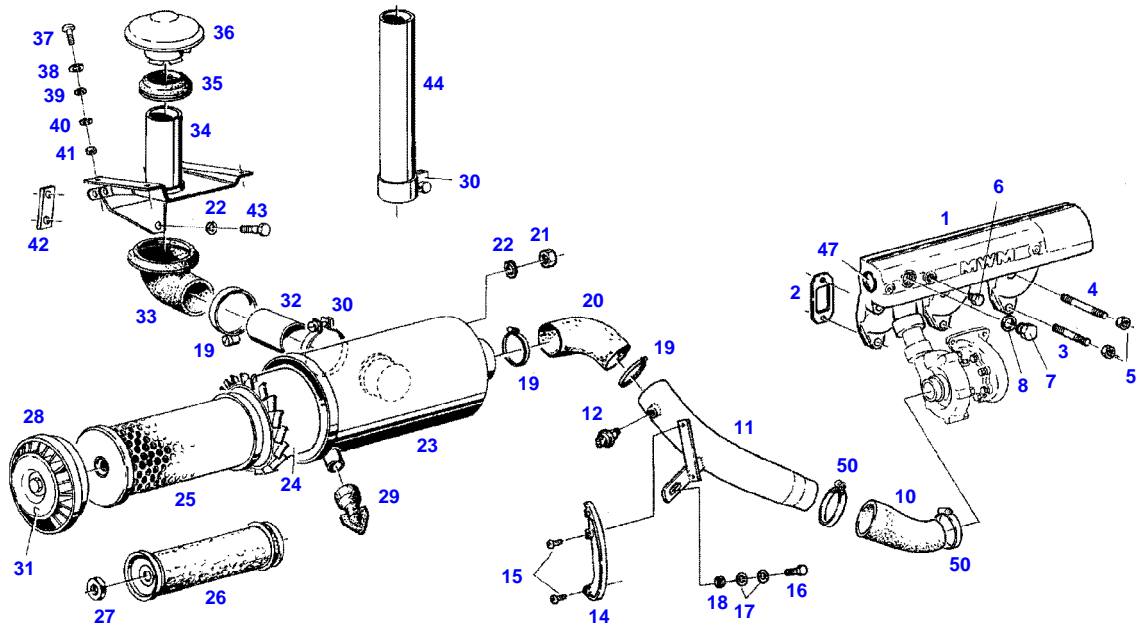


9607

Item	Part Number	Qty	Description Comments	Technical Specification
1	72354920	1	FILTER RETAINER	
2	72393679	1	RETAINING SHEET METAL	
4	72315675	1	HEXAGONAL HEAD BOLT	DIN 933 M10X16-8.8A3L
	72315691	1	HEXAGONAL HEAD BOLT	DIN 933 M10X40-8.8A3L
	72315689	1	HEXAGONAL HEAD BOLT	DIN 933 M10X35-8.8A3L
5	72317122	2	SPRING WASHER	DIN 137 B10-MECH.VZK
6	72315642	1	HEXAGONAL HEAD BOLT	DIN 933 M8 X 16-8.8A3L
7	72315053	1	SPLIT WASHER	FWN 65208-8-A3L
8	72313268	1	NUT	DIN 934 M8-8A3L
9	72374490	2	HEXAGONAL HEAD BOLT	DIN 933 M14X20-8.8
	72374493	2	HEXAGONAL HEAD BOLT	DIN 933 M14X30-8.8
10	72315685	2	HEXAGONAL HEAD BOLT	DIN 933 M10X30-8.8A3L
11	72315054	2	SPLIT WASHER	FWN 65208-10-A3L
12	72311789	2	DISC	DIN 125-10,5-ST.A3L
13	72377531	2	RING HOSE NIPPLE	FWN65910-A-DN8
14	72315093	2	SEALING WASHER	DIN 7603 A12X18-CU
15	72315094	14	SEALING WASHER	DIN 7603 A14X18-CU
16	72380159	2	FUEL SHUT-OFF VALVE	
17	72450303	1	PRESSURE HOSE 980 MM CUT TO LENGTH	L=1000
18	72356760	1	FUEL LINE	
19	72355537	1	FUEL LINE	
20	72315808	4	BANJO BOLT	DIN 7643-10-3-A3L
21	72329530	1	LEAKAGE OIL LINE	
22	72356761	1	FUEL LINE	
23	72450301	1	PRESSURE HOSE 1000 MM	L=1000
24	72398941	2	FASTENING COLLAR	
25	72316916	3	CABLE STRAP	FWN 66650 B175X4-SW
26	72450303	1	PRESSURE HOSE 880 MM CUT TO LENGTH	L=1000
27	72438345	9	HOSE CLIP	
28	72377533	1	DOUBLE NIPPLE	FWN65910-DN8-120GR
30	72342985	3	SCREW	
31	72315086	6	SEALING WASHER	DIN 7603 A8X11,5-CU
32	72315799	2	PLUG	DIN 7604 AM14X1,5-A3L
33	72315094	2	SEALING WASHER	DIN 7603 A14X18-CU
34	72615599	1	FILTER LID ><35,36	
	72393682	1	MARKING PLATE ARABIAN-ENGLISH	
35	72323290	1	BLEED SCREW	
36	72315084	1	SEALING WASHER	DIN 7603 A6X10-CU
37	72416928	1	FILTER BOX	
38	72314995	1	RUBBER RING	
39	72380173	1	PARALLEL FILTER BOSCH ><40-45 <-- X810.190.166.000 1X <>	
	72416928	2	FILTER BOX	
	72451307	1	COVER KNECHT ><40,41 <>	PARALLELFILT.
	72416928	2	FILTER BOX	
40	72323290	2	BLEED SCREW BOSCH	
	72314699	2	BLEED SCREW KNECHT	
41	72315084	2	SEALING WASHER BOSCH	DIN 7603 A6X10-CU
	72315086	2	SEALING WASHER KNECHT	DIN 7603 A8X11,5-CU

Item	Part Number	Qty	Description Comments	Technical Specification
42	72326250	1	SCREW BOSCH	
43	72315095	1	SEALING WASHER BOSCH	DIN 7603 A14X20-CU
44	72416928	2	FILTER BOX	
45	72314995	2	RUBBER RING ><45	
46	72380174	2	SCREW	
47	72380268	1	BLEED AND DRAIN VALVE	
48	72380023	1	TEE FITTING	
49	72450301	1	PRESSURE HOSE 150 MM CUT TO LENGTH	L=1000
50	72315691	2	HEXAGONAL HEAD BOLT	DIN 933 M10X40-8.8A3L
51	72400157	2	BUSH	
52	72399913	1	HOLDER	
53	72393707	1	REDUCER	
54	72315097	1	SEALING WASHER	DIN 7603 A16X20-CU

FARMER 307 (170/00001-02000)
F060726

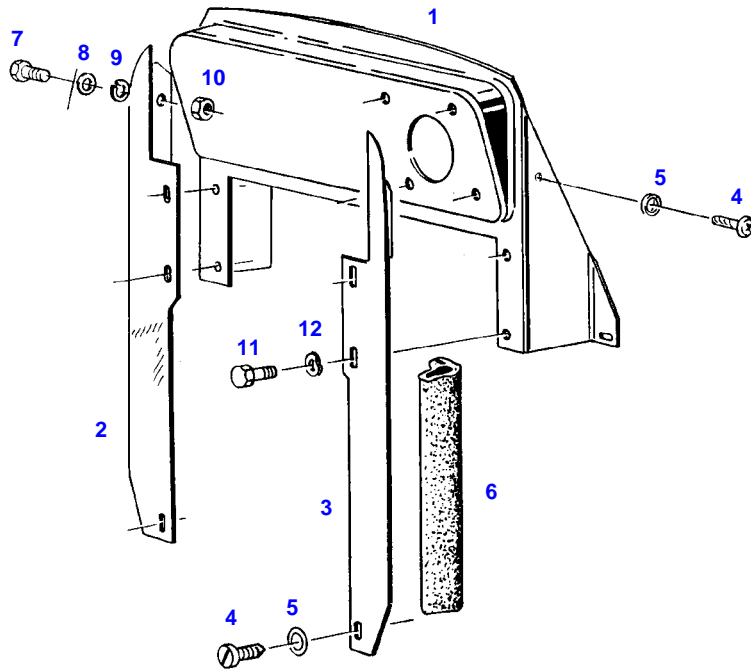


F060726



Item	Part Number	Qty	Description Comments	Technical Specification
1	72392836	1	INTAKE MANIFOLD	
2	72332145	3	MOLDED SEAL	
3	72374648	3	STUD BOLT	DIN 939 M10X40-10.9
4	72374660	3	STUD BOLT	DIN 939 M10X65-8.8
5	72373015	6	NUT	DIN70615-M10-8-A3B
6	72315433	1	SCREW	DIN 906 M14X1,5-ST
7	72373975	1	SCREW	DIN 910 M20X1,5-ST
8	72376031	1	SEALING WASHER	DIN 7603 A20X24-CU
9	72311170	1	HOSE CLIP	
10	72392837	1	RUBBER ARCH	
			<>	
	72492958	1	HOSE CLIP	59-83
11	72355443	1	INTAKE MANIFOLD	
	72420664	1	BOLT	
			AIR BRAKING SYSTEM	
	72436024	1	HOSE	L=920 DIN73411-15X3,5 R
			AIR BRAKING SYSTEM	
			1X 50MM	
	72311166	2	HOSE CLIP	
			AIR BRAKING SYSTEM	
12	72316876	1	MAINTENANCE SWITCH	
			MANN & HUMMEL	
	72379896	1	MAINTENANCE SWITCH	
			KNECHT	
14	72395417	1	SKID	
15	72315814	2	SCREW	DIN7976-ST4,8X16-F-A3L
16	72315630	1	HEXAGONAL HEAD BOLT	DIN 933 M6X18-8.8A3L
17	72311787	2	DISC	DIN 125-6,4-ST.A3L
18	72313318	1	NUT	DIN6925-M6-8-A3L
19	72373528	4	HOSE CLIP	
20	72395414	1	RUBBER ARCH	
21	72313268	4	NUT	DIN 934 M8-8A3L
22	72315053	6	SPLIT WASHER	FWN 65208-8-A3L
23	72348100	1	AIR FILTER	
			><23-30	
			NOT AVAILABLE IN SINGLE PARTS	
24	72329111	1	DIFFUSER	
25	72329734	1	MICRO-TOP CARTRIDGE	
26	72329735	1	SAFETY CARTRIDGE	
27	72372827	1	NUT	DIN 934 M16X1,5-10A3L
28	72329736	1	FLOOR	
			><29	
29	72326122	1	DUST DISCHARGE VALVE	
30	72329737	1	PIPE CLAMP	
			<-- X458.648.500.000	
31	72409107	1	ABSORPTION INDICATOR	
32	72393687	1	CONNECTING PIPE	
33	72393688	1	BELLOWS	
34	72355730	1	AIR INTAKE	
35	72393690	1	SEALING RING	
36	72330730	1	RAIN CAP	
37	72373806	4	TRUSS HEAD SCREW	DIN 603 M6X16-A3L
38	72311788	4	DISC	DIN 125-8,4-ST.A3L
39	72311787	4	DISC	DIN 125-6,4-ST.A3L
40	72315052	4	SPLIT WASHER	FWN 65208-6-A3L
41	72313266	4	NUT	DIN 934 M6-8A3L
42	72393790	1	THREADED PLATE	
43	72315645	2	HEXAGONAL HEAD BOLT	DIN 933 M8 X 12-8.8A3L
44	72384104	1	CONNECTING PIPE	
47	72377222	2	COVER	DIN 443-40
50	72492958	1	HOSE CLIP	59-83

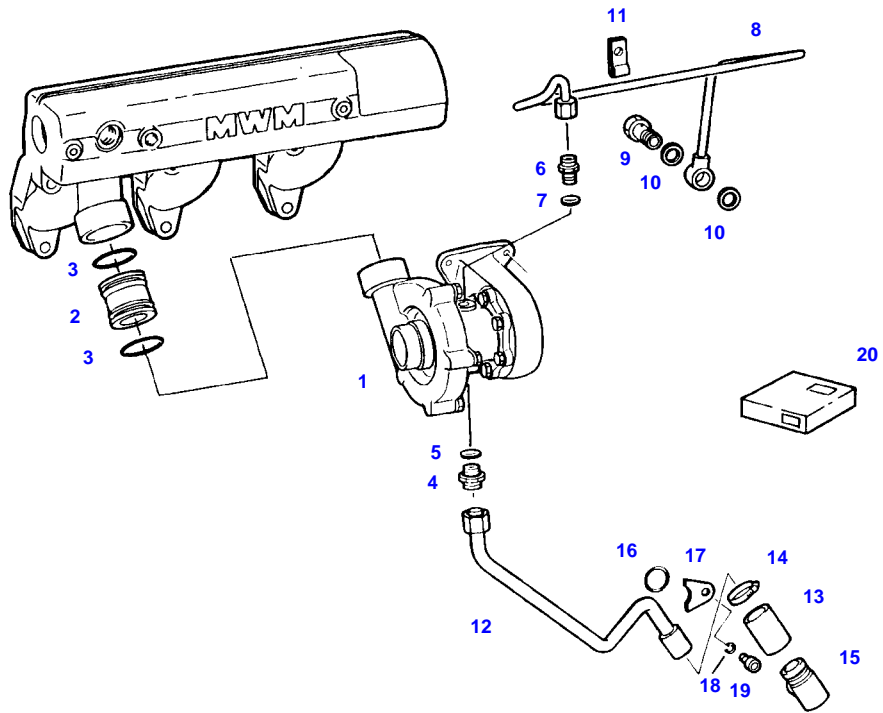
FARMER 307 (170/00001-02000)
4908



4908

Item	Part Number	Qty	Description Comments	Technical Specification
1	72392142	1	FILTER BRACKET	
2	72392835	1	SPLASH PANEL	
3	72392834	1	SPLASH PANEL	
4	72315785	3	SCREW	DIN 7981 ST4,2X9,5-C-H-A3
5	72311817	3	DISC	DIN9021-4,3-140HV-A3L
6	72393692	1	SEALING PROFILE	
7	72315626	1	HEXAGONAL HEAD BOLT	DIN 933-M6 X 16-8.8-A3L
8	72311787	1	DISC	DIN 125-6,4-ST.A3L
9	72315052	1	SPLIT WASHER	FWN 65208-6-A3L
10	72313266	1	NUT	DIN 934 M6-8A3L
11	72315645	4	HEXAGONAL HEAD BOLT	DIN 933 M8 X 12-8.8A3L
12	72317121	4	SPRING WASHER	DIN 137 B8-MECH.VZK

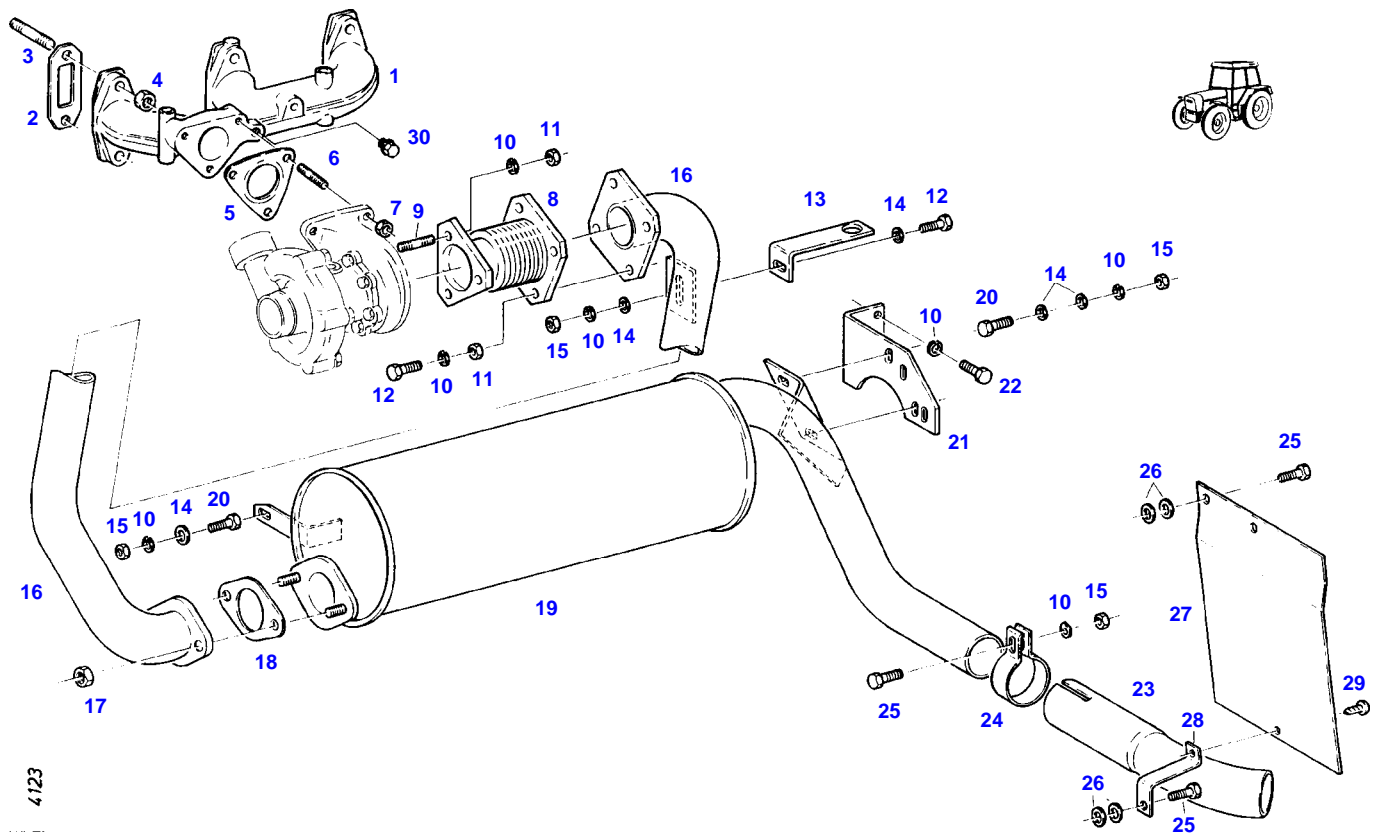
FARMER 307 (170/00001-02000)
4115



4115

Item	Part Number	Qty	Description Comments	Technical Specification
1	72329531	1	TURBOCHARGER ><20	
2	72329534	1	CONNECTING PIECE	
3	72376526	2	O-RING	35X4
4	72377894	1	SCREW NECK	
5	72376066	1	SEALING WASHER	DIN 7603 D16X20-CU
6	72377895	1	SCREW NECK	DIN 3901-L8A-M-ST-A3L
7	72376065	1	SEALING WASHER	DIN 7603 D12X16-CU
8	72329535	1	LUBE OIL LINE	
9	72374956	1	BANJO BOLT	DIN7623/3.70-A10-6.8
10	72315098	2	SEALING WASHER	DIN 7603 A16X22-CU
11	72329536	1	PIPE CLAMP	
12	72329537	1	LUBE OIL LINE	
13	72332160	1	HOSE PIECE	
14	72311167	2	HOSE CLIP	
15	72343888	1	MANIFOLD	
16	72343889	1	SEAL	
17	72343890	1	RETAINING SHEET METAL	
18	72315053	1	SPLIT WASHER	FWN 65208-8-A3L
19	72315489	1	SOCKET HEAD BOLT	DIN 912-M8 X 16-8.8-A3L
20	72329532	1	SPARE PARTS KIT TURBO CHARGER	
	72329533	1	ROTOR ASSEMBLY SET TURBO CHARGER	

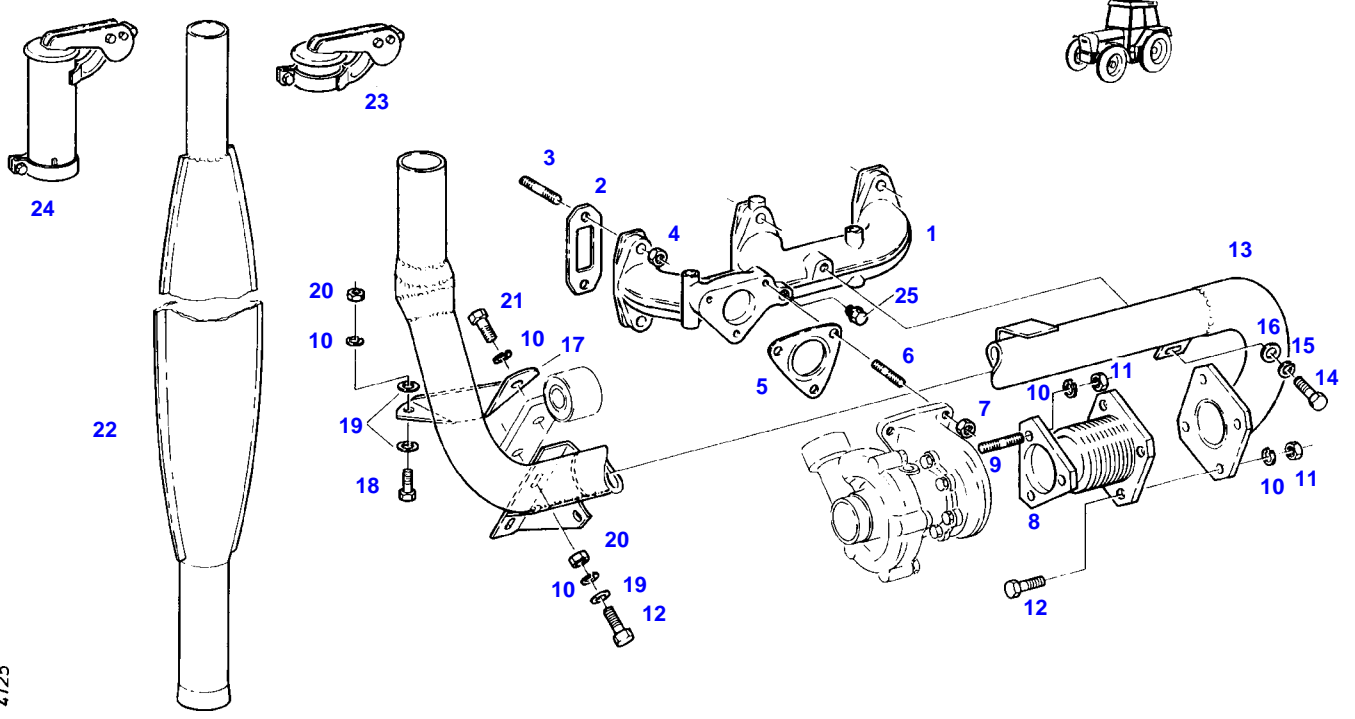
FARMER 307 (170/00001-02000)
4123



4123

Item	Part Number	Qty	Description Comments	Technical Specification
1	72392839	1	EXHAUST PIPE	
2	72332145	3	MOLDED SEAL	
3	72313777	6	STUD BOLT	DIN 939 M10X35-8.8
4	72373015	6	NUT	DIN70615-M10-8-A3B
5	72329538	1	MOLDED SEAL	
6	72313770	3	STUD BOLT	FWN64891-M8X20-8.8
7	72372805	3	NUT	DIN 934 M8-10 C2A
8	72422404	1	EXHAUST COMPENSATOR <>	
	72392991	1	SEAL	
9	72313770	3	STUD BOLT	FWN64891-M8X20-8.8
10	72315053	14	SPLIT WASHER	FWN 65208-8-A3L
11	72313269	7	NUT	DIN 934 M8-8C2A
12	72315653	5	HEXAGONAL HEAD BOLT	DIN 933 M8 X 25-8.8A3L
13	72392838	1	ANGLE	
14	72311788	8	DISC	DIN 125-8,4-ST.A3L
15	72313268	5	NUT	DIN 934 M8-8A3L
16	72355447	1	EXHAUST PIPE	
17	72373015	2	NUT	DIN70615-M10-8-A3B
18	72376173	1	SEAL	DIN71511-56X82X1,5-ST AFM5M.E.
19	72355444	1	EXHAUST MUFFLER	
20	72315646	3	HEXAGONAL HEAD BOLT	DIN 933 M8X18-8.8A3L
21	72396312	1	RETAINING BRACKET	
22	72315642	2	HEXAGONAL HEAD BOLT	DIN 933 M8 X 16-8.8A3L
23	72393695	1	EXHAUST TAILPIPE	
24	72373437	1	PIPE CLAMP	DIN71555-63,5 EDELSTAHL
25	72315657	4	HEXAGONAL HEAD BOLT	DIN 933 M8 X 30-8.8A3L
26	72311824	6	DISC	DIN9021-8,4-140HV-A3L
27	72395464	1	DEFLECTOR	
28	72393697	1	RETAINER	
29	72315820	1	SCREW	DIN7976-ST6,3X13-C-A3L
30	72315431	1	SCREW	DIN 906-M10X1-ST

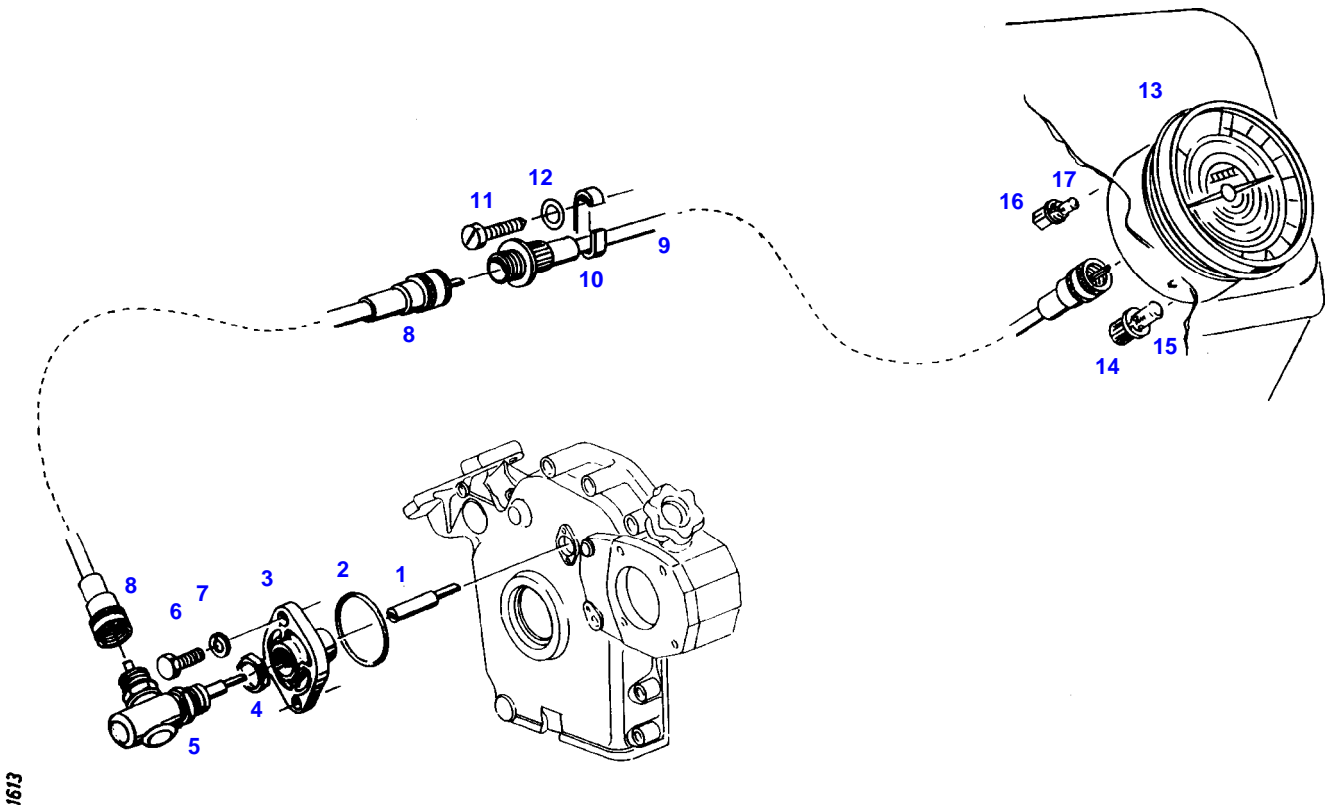
FARMER 307 (170/00001-02000)
4125



4125

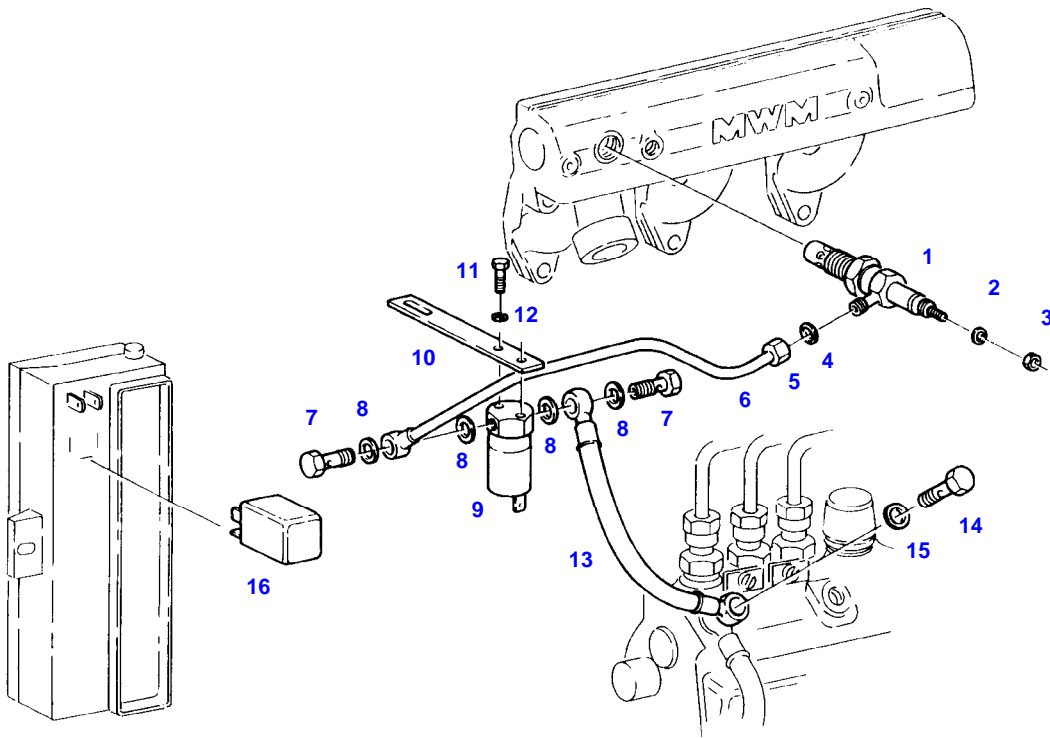
Item	Part Number	Qty	Description Comments	Technical Specification
1	72392839	1	EXHAUST PIPE	
2	72332145	3	MOLDED SEAL	
3	72374648	6	STUD BOLT	DIN 939 M10X40-10.9
4	72373015	6	NUT	DIN70615-M10-8-A3B
5	72329538	1	MOLDED SEAL	
6	72313770	3	STUD BOLT	FWN64891-M8X20-8.8
7	72372805	3	NUT	DIN 934 M8-10 C2A
8	72422404	1	EXHAUST COMPENSATOR <>	
	72392991	1	SEAL	
9	72313770	3	STUD BOLT	FWN64891-M8X20-8.8
10	72315053	10	SPLIT WASHER	FWN 65208-8-A3L
11	72313269	7	NUT	DIN 934 M8-8C2A
12	72315654	5	HEXAGONAL HEAD BOLT	DIN 933 M8X28-8.8A3L
13	72355453	1	EXHAUST PIPE	
14	72315679	1	HEXAGONAL HEAD BOLT	DIN 933 M10X20-8.8A3L
15	72315054	1	SPLIT WASHER	FWN 65208-10-A3L
16	72311789	1	DISC	DIN 125-10,5-ST.A3L
17	72392840	1	ANGLE	
18	72315650	1	HEXAGONAL HEAD BOLT	DIN 933 M8 X 20-8.8A3L
19	72311788	2	DISC	DIN 125-8,4-ST.A3L
20	72313268	2	NUT	DIN 934 M8-8A3L
21	72315645	1	HEXAGONAL HEAD BOLT	DIN 933 M8 X 12-8.8A3L
22	72355445	1	EXHAUST MUFFLER	
23	72348549	1	EXHAUST WEATHER CAP	
24	72451055	1	EXHAUST EXTENSION	UP WITH WEATHER CAP
25	72315431	1	SCREW	DIN 906-M10X1-ST

FARMER 307 (170/00001-02000)
1613



Item	Part Number	Qty	Description Comments	Technical Specification
1	72327035	1	DRIVER	
2	72376543	1	O-RING	42X3-NBR 70 FWN56402
3	72335527	1	COVER	
4	72322566	1	NUT	
5	72334005	1	BEVEL GEAR SYSTEM	
6	72315650	2	HEXAGONAL HEAD BOLT	DIN 933 M8 X 20-8.8A3L
7	72317121	2	SPRING WASHER	DIN 137 B8-MECH.VZK
8	72483595	1	DRIVE SHAFT	
9	72379885	1	DRIVE SHAFT	630 LG
10	72393703	1	HOLDER	
11	72315822	1	SCREW	DIN7976-ST6,3X38-C-A3L
12	72311787	1	DISC	DIN 125-6,4-ST.A3L
13	72379857	1	INSTRUMENT CLUSTER	T96
			3-STAGE SPLITTER	
	72379841	1	TRACTOMETER	
			2-STAGE SPLITTER	
			NOT ILLUSTRATED	
	72379858	1	TRACTOMETER	
			3-STAGE SPLITTER	
			NOT ILLUSTRATED	
	72379855	1	CIRCUIT BOARD	
			NOT ILLUSTRATED	
	72379840	1	HOUSING	KPL
			NOT ILLUSTRATED	
	72379852	1	RUBBER PROFILE RING	
			NOT ILLUSTRATED	
14	72379832	1	LAMP SOCKET	
15	72379833	1	FILAMENT BULB	12V 3W
16	72379261	15	FILAMENT BULB	12V2W
			><17	
17			NOT AVAILABLE IN SINGLE PARTS	

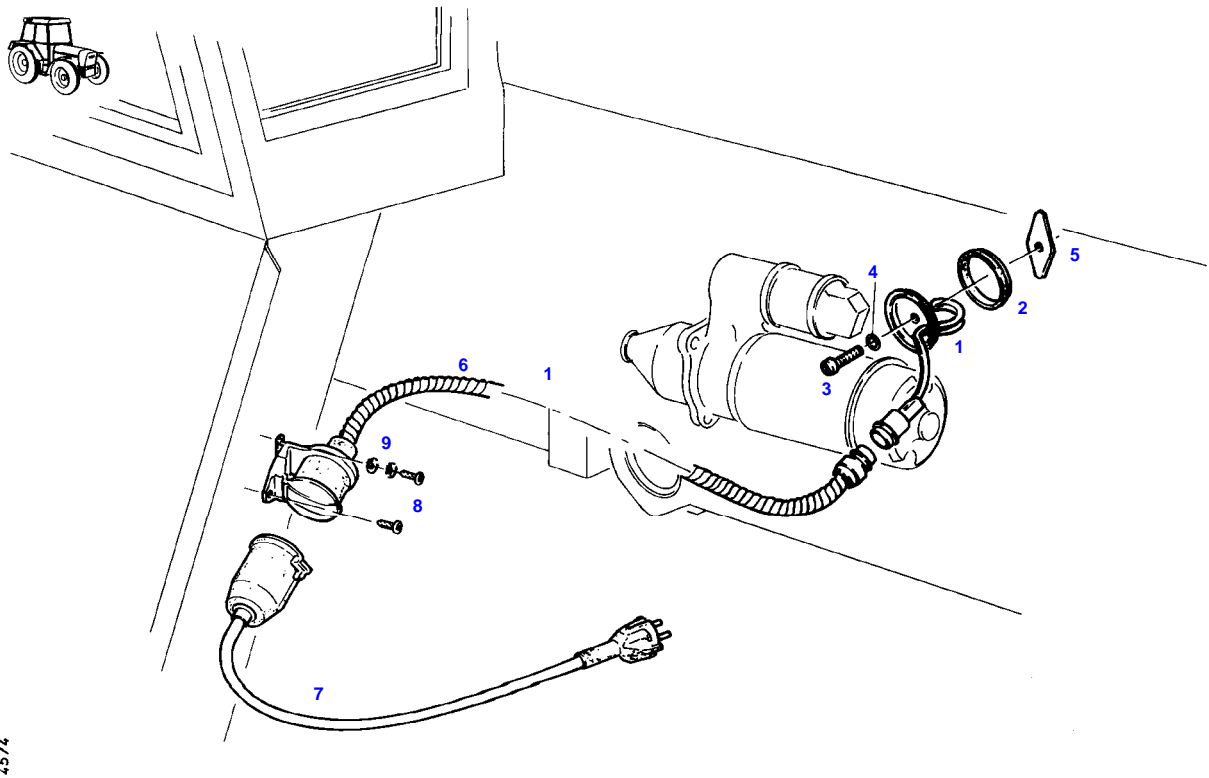
FARMER 307 (170/00001-02000)
4126



4126

Item	Part Number	Qty	Description Comments	Technical Specification
1	72495170	1	ROD FLAME GLOW PLUG	
2	72317119	1	SPRING WASHER	DIN 137 B5-MECH.VZK
3	72313264	1	NUT	DIN 934 M5-8A3L
4	72377312	1	DOUBLE V-RING	DIN 3862-6-9SMNPB28K+G
5	72378005	1	CONNECTING NUT	DIN 3870 ALL6-9S20K A3L
6	72355460	1	TUBING	
7	72315806	2	BANJO BOLT	DIN 7643-6-3-A3L
8	72315088	4	SEALING WASHER	DIN 7603 A10X13,5-CU
9	72317090	1	VALVE SOLENOID	
10	72316724	1	RETAINER	
11	72315629	2	HEXAGONAL HEAD BOLT	DIN 933 M6 X 12-8.8A3L
12	72315052	2	SPLIT WASHER	FWN 65208-6-A3L
13	72356736	1	LINE	
14	72310187	1	DOUBLE BOLT	
15	72315094	1	SEALING WASHER	DIN 7603 A14X18-CU
16	72428226	1	GLOW TIME RELAY	

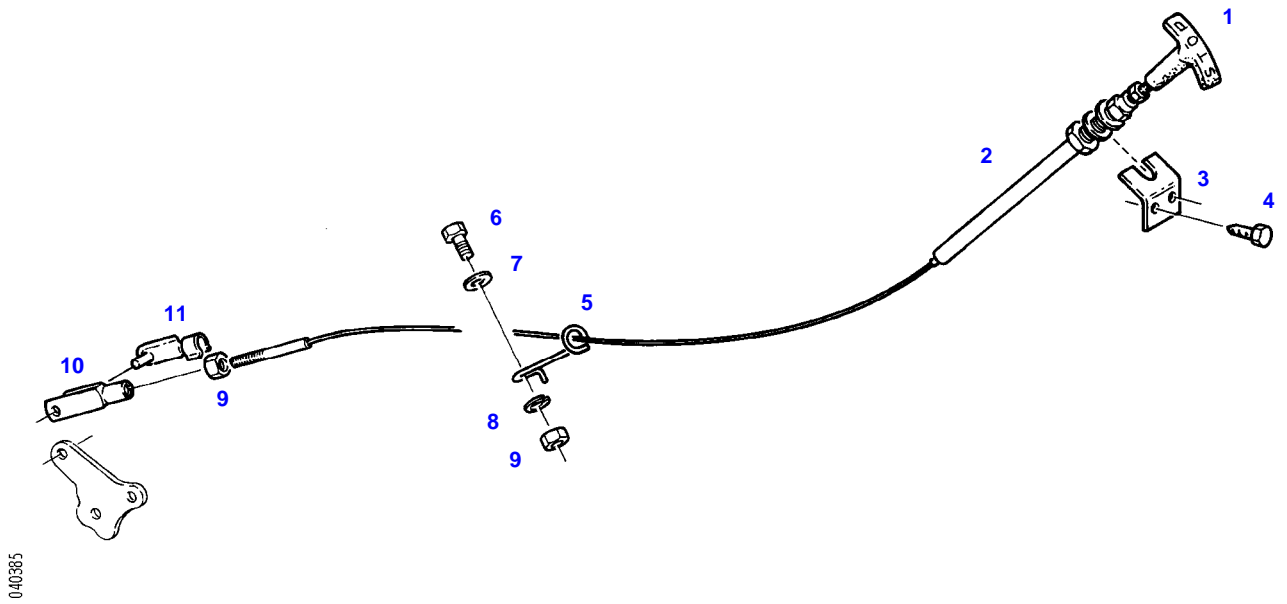
FARMER 307 (170/00001-02000)
4574



4574

Item	Part Number	Qty	Description Comments	Technical Specification
1	72385222	1	ENGINE PRE-HEATER ><1-9 <-- 0098.071.100	
	72365565	1	HEATER ELEMENT	
2	72332589	1	SEAL	
3	72332590	1	SCREW <>	
	72332592	1	O-RING	
	72315466	1	SOCKET HEAD BOLT <>	DIN 912 M6X30-8.8
	72311787	1	DISC	DIN 125-6,4-ST.A3L
	72376379	1	O-RING	5,3X2,4-FPM 80 FWN56402
	72311787	1	DISC	DIN 125-6,4-ST.A3L
4	72332592	1	O-RING	
	72376379	1	O-RING	5,3X2,4-FPM 80 FWN56402
5	72332591	1	COULTER CLAMP	
6	72310873	1	CABLE <-- H816.200.250.210 1X <>	
	72315615	2	HEXAGONAL HEAD BOLT	DIN 933 M4X16-8.8A3L
	72494152	1	POWER CABLE	
	72424447	1	MOUTING BRACKET	
7	72317178	1	POWER CABLE	
8	72315786	3	SCREW	DIN 7981 ST4,2X13-C-H-A3L
	72315408	3	FLAT HEAD CAPSCREW	DIN 85 M4X12-4.8A3L
9	72317126	4	SERRATED LOCK WASHER	DIN 6798 A5,3
	72313263	3	NUT	DIN 934 M4-8A3L
	72315050	3	SPLIT WASHER	FWN 65208-4-A3L
	72316916	4	CABLE STRAP NOT ILLUSTRATED	FWN 66650 B175X4-SW
	72317193	1	SECURING CLIP NOT ILLUSTRATED	

FARMER 307 (170/00001-02000)
40385



040385

Thank you so much for reading.
Please click the “Buy Now!”
button below to download the
complete manual.



After you pay.

You can download the most
perfect and complete manual in
the world immediately.

Our support email:

ebooklibonline@outlook.com