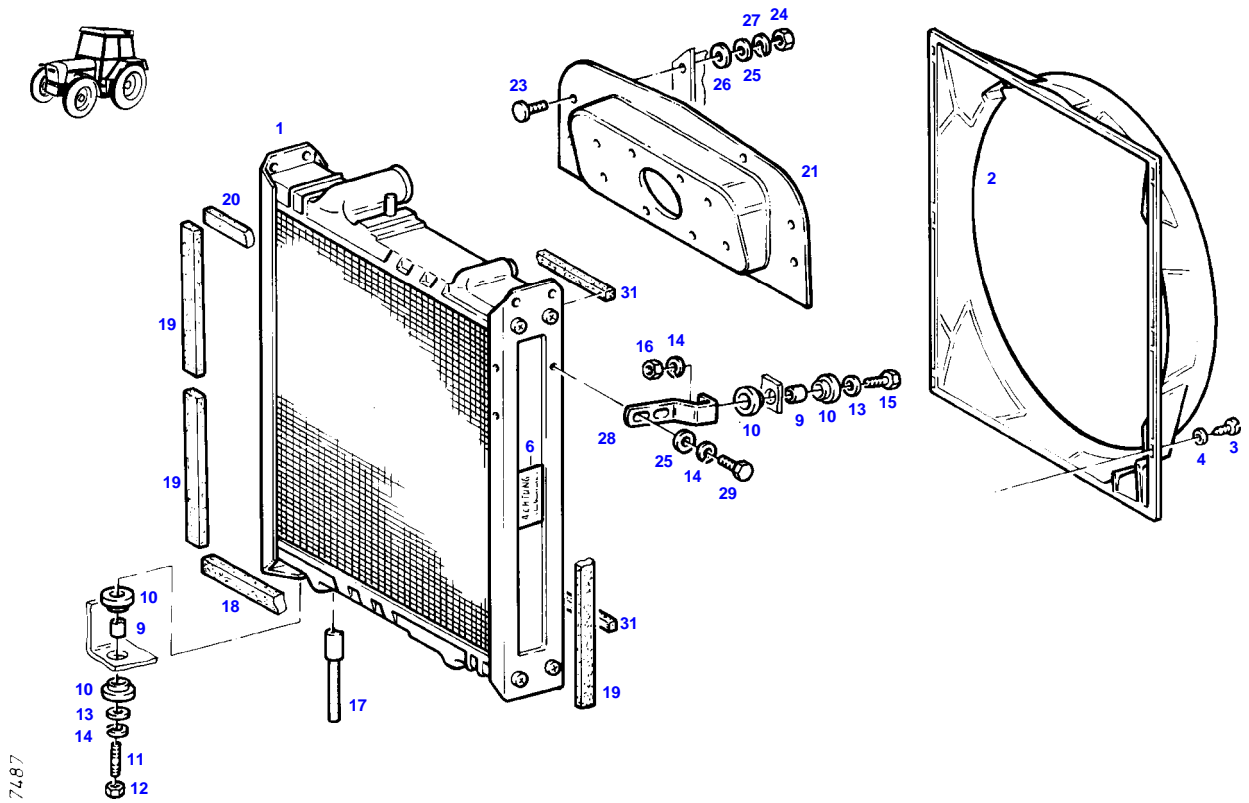


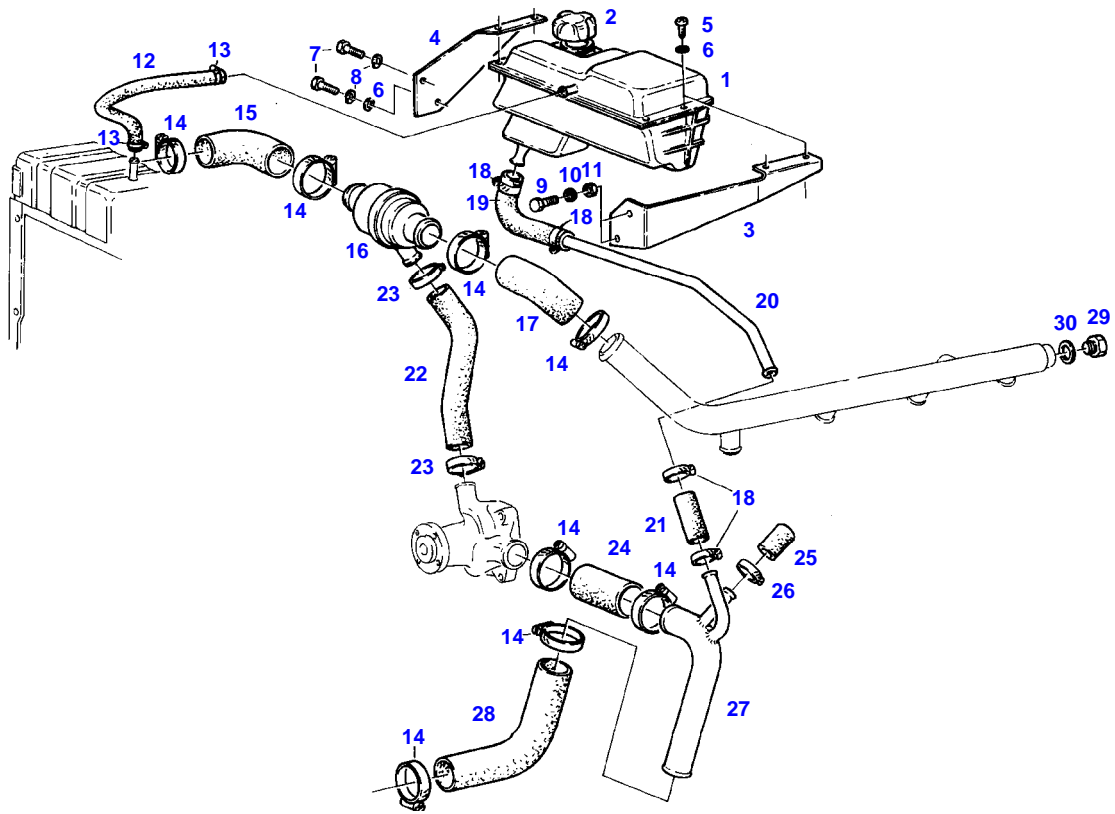
Page Number	Page Title	Page Reference
01-000-TOC	ENGINE, FUEL AND EXHAUST SYSTEM	01-000-TOC
02-000-TOC	AXLES	02-000-TOC
03-000-TOC	STEERING SYSTEM	03-000-TOC
04-000-TOC	DRIVE TRAIN SYSTEM	04-000-TOC
05-000-TOC	COMPRESSED AIR SYSTEM	05-000-TOC
06-000-TOC	HYDRAULIC SYSTEM	06-000-TOC
07-000-TOC	ELECTRICAL SYSTEM	07-000-TOC
08-000-TOC	CAB	08-000-TOC
09-000-TOC	AIR CONDITIONING AND HEATING SYSTEM	09-000-TOC
10-000-TOC	CHASSIS	10-000-TOC
11-000-TOC	WHEELS	11-000-TOC
12-000-TOC	IMPLEMENT LIFT SYSTEM FRONT	12-000-TOC
13-000-TOC	IMPLEMENT LIFT SYSTEM REAR	13-000-TOC
14-000-TOC	FRONT/REAR LOADERS	14-000-TOC
15-000-TOC	ATTACHMENTS	15-000-TOC
16-000-TOC	ACCESSORIES	16-000-TOC

FARMER 307 (175/00801-99999)
7487



Item	Part Number	Qty	Description Comments	Technical Specification
			<-- 175/20001	
1	72348555	1	RADIATOR	
2	72395456	1	FAN COVER	
3	72315818	6	SCREW	DIN7976-ST4,2X25-C-A3L
4	72311817	6	DISC	DIN9021-4,3-140HV-A3L
6	72379109	1	MARKING PLATE	FWN66556-35X68-SCHUTZVORR.N.OE
9	72310718	4	BUSH	
10	72312479	8	UNIVERSAL SPOUT	
11	72313772	2	STUD BOLT	DIN 939 M8X30-8.8
12	72313320	2	NUT	DIN6925-M8-8-A3L
13	72311824	4	DISC	DIN9021-8,4-140HV-A3L
14	72315053	4	SPLIT WASHER	FWN 65208-8-A3L
15	72315660	2	HEXAGONAL HEAD BOLT	DIN 933 M8X35-8.8A3L
16	72313268	2	NUT	DIN 934 M8-8A3L
17	72397310	1	DRAINAGE PIPING	
18	72310182	1	STRAP	
19	72397315	4	STRAP	
20	72395459	1	STRAP	
21	72397306	1	BARRIER WALL	
23	72373806	5	TRUSS HEAD SCREW	DIN 603 M6X16-A3L
24	72313266	5	NUT	DIN 934 M6-8A3L
25	72311787	7	DISC	DIN 125-6,4-ST.A3L
26	72311788	5	DISC	DIN 125-8,4-ST.A3L
27	72315052	5	SPLIT WASHER	FWN 65208-6-A3L
28	72397309	2	HOLDER	
29	72315642	4	HEXAGONAL HEAD BOLT	DIN 933 M8 X 16-8.8A3L
31	72450560	1	SEALING STRIP 2X 470MM CUT TO LENGTH	

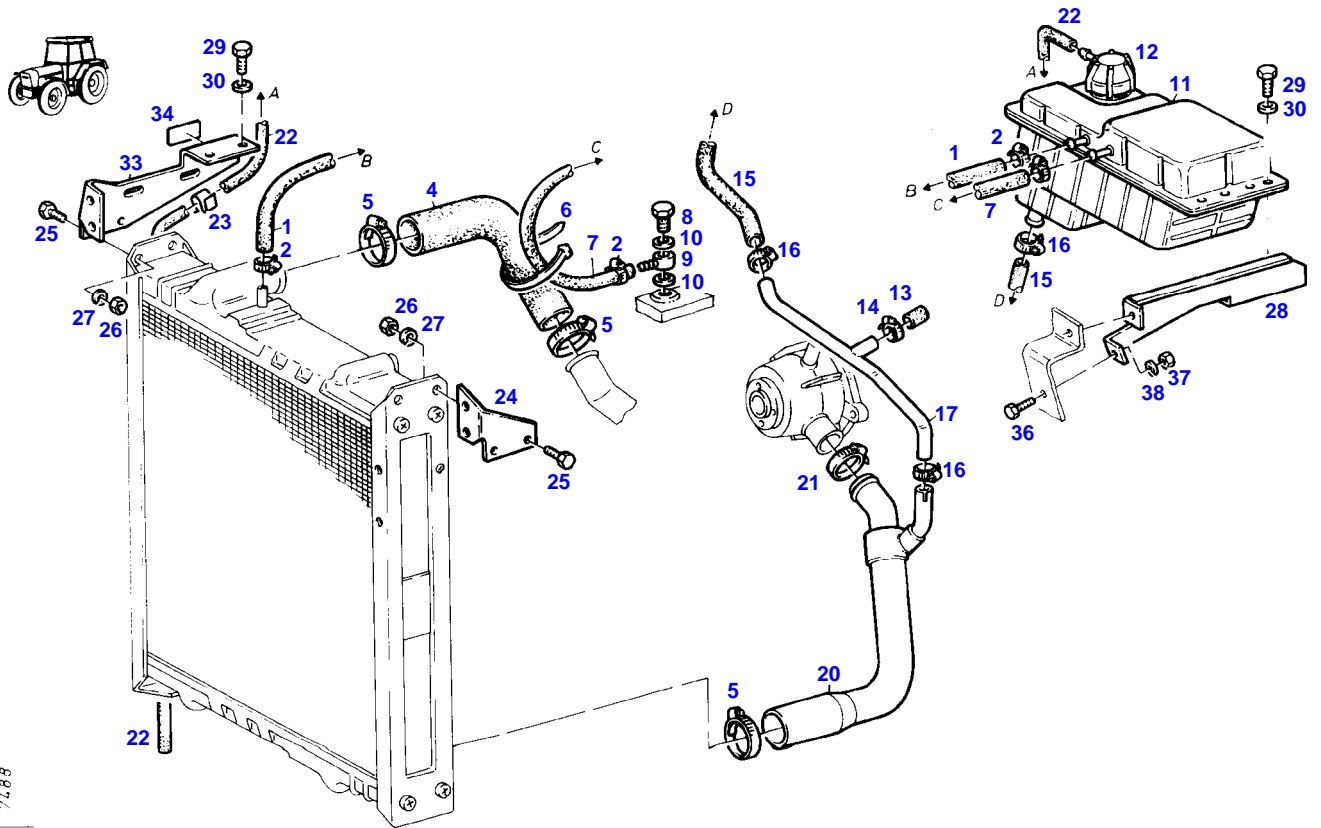
FARMER 307 (175/00801-99999)
6336



6336

Item	Part Number	Qty	Description Comments	Technical Specification
			--> 175/20000	
1	72316897	1	EXPANSION TANK <>	
	72409370	1	CAP	
	72438345	1	HOSE CLIP	
2	72348672	1	COLLER LOCKING	
3	72392987	1	BRACKET AIR BRAKE SUPPLY EQUIPEMENT RANGE OF TEMPERATURE 1+2 / 1+2 WITH AIR BRAKE SUPPLY EQUIPEMENT	
	72395450	1	BRACKET TEMP.RANGE 1 WITH AIR CONDITION RANGE OF TEMPERATURE 1+2 WITH AIR TEMP.RANGE 1 WITH AIR CONDITION KLIMAANLAGE 1 M.KLIMAANLAGE	
4	72392988	1	BRACKET	
5	72315821	4	SCREW	DIN7976-ST6,3X19-C-A3L
6	72311822	5	DISC	DIN9021-6,4-140HV-A3L
7	72315629	2	HEXAGONAL HEAD BOLT	DIN 933 M6 X 12-8.8A3L
8	72315052	2	SPLIT WASHER	FWN 65208-6-A3L
9	72315642	2	HEXAGONAL HEAD BOLT	DIN 933 M8 X 16-8.8A3L
10	72315053	2	SPLIT WASHER	FWN 65208-8-A3L
11	72313268	2	NUT	DIN 934 M8-8A3L
12	72622024	1	PRESSURE HOSE 1X 185MM CUT TO LENGTH	L=0,50M 8X3,5-FWN65911
13	72438345	2	HOSE CLIP	
14	72311162	8	HOSE CLIP	
15	72393666	1	RUBBER ARCH	
16	72380193	1	THERMOSTAT	75GR+-2GR
17	72392140	1	RUBBER ARCH	
18	72311166	4	HOSE CLIP	
19	72435869	1	RUBBER ARCH	
20	72392830	1	PIPE	
21	72450412	1	HOSE 1X 50MM CUT TO LENGTH	L=1000 18X3,5 R DIN 73411
22	72436027	1	HOSE 1X 120MM CUT TO LENGTH	L=320 DIN73411-25X3,5 R
23	72311167	2	HOSE CLIP	
24	72393672	1	REDUCER	
25	72404925	1	CAP	
26	72311166	1	HOSE CLIP	
27	72357308	1	SUCTION LINE	
28	72395412	1	RUBBER ARCH	
29	72315802	1	SCREW	DIN 7604 AM22X1,5-ST
30	72315101	1	SEALING WASHER	DIN 7603 A22X27-CU

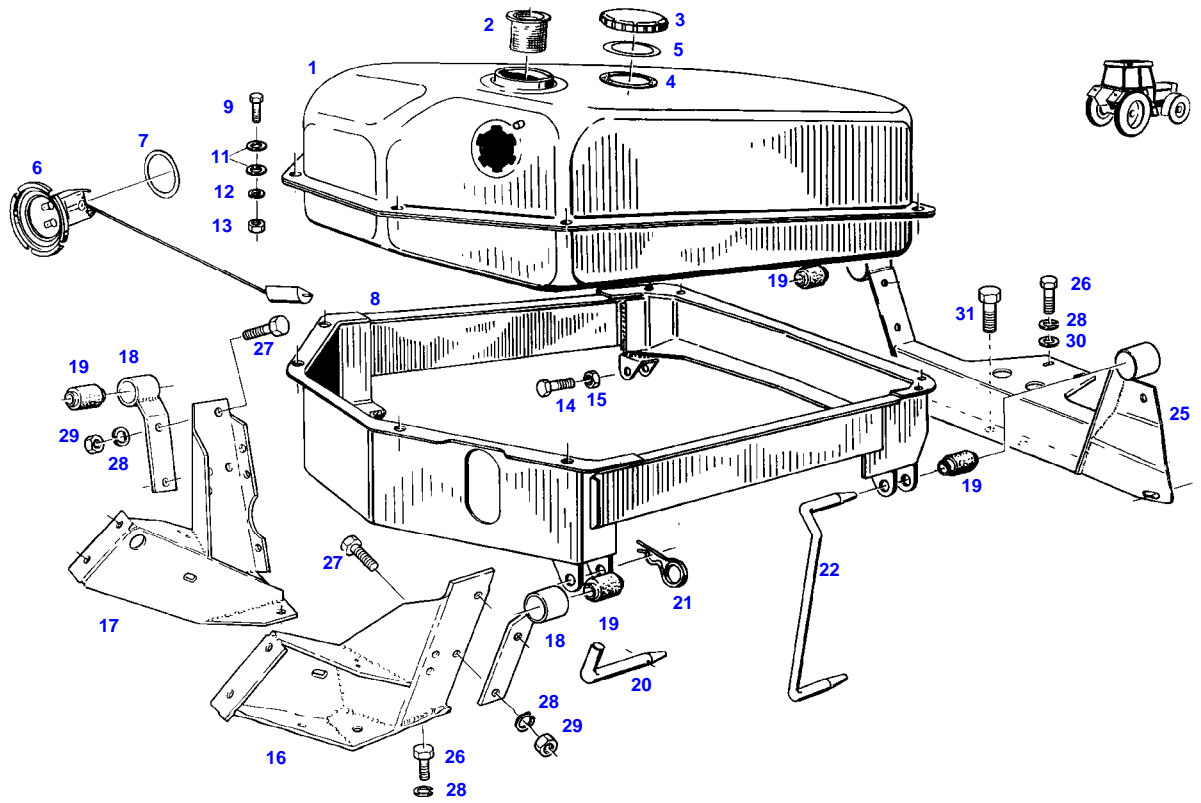
FARMER 307 (175/00801-99999)
7488



7488

Item	Part Number	Qty	Description Comments	Technical Specification
			<-- 175/20001	
1	72622024	1	PRESSURE HOSE 190 MM CUT TO LENGTH	L=0,50M 8X3,5-FWN65911
2	72438345	4	HOSE CLIP	
4	72395457	1	RUBBER ARCH	
5	72311170	3	HOSE CLIP	
6	72316915	1	CABLE STRAP	FWN 66650 B290X4,8-SW
7	72450289	1	PRESSURE HOSE 510 MM CUT TO LENGTH	L=550 FWN 66041-M4
8	72315806	1	BANJO BOLT	DIN 7643-6-3-A3L
9	72377528	1	RING HOSE NIPPLE	FWN65910-A-DN4
10	72315088	2	SEALING WASHER	DIN 7603 A10X13,5-CU
11	72316897	1	EXPANSION TANK	
12	72310924	1	COLLER LOCKING	
13	72404925	1	CAP	
14	72311166	1	HOSE CLIP	
15	72435869	1	RUBBER ARCH	
16	72311166	3	HOSE CLIP	
17	72357764	1	PIPE	
20	72395458	1	COOLANT LINE	
21	72311162	1	HOSE CLIP	
22	72442422	1	HOSE 1000 MM CUT TO LENGTH	L=1500MM
23	72312049	3	HOSE RETAINER	
24	72397308	1	RETAINER	
25	72315642	2	HEXAGONAL HEAD BOLT	DIN 933 M8 X 16-8.8A3L
26	72313268	6	NUT	DIN 934 M8-8A3L
27	72315053	6	SPLIT WASHER	FWN 65208-8-A3L
28	72397312	1	BRACKET	
29	72315821	4	SCREW	DIN7976-ST6,3X19-C-A3L
30	72311822	6	DISC	DIN9021-6,4-140HV-A3L
33	72395461	1	RETAINER	
34	72397318	1	MARKING PLATE	
36	72315629	1	HEXAGONAL HEAD BOLT	DIN 933 M6 X 12-8.8A3L
37	72313266	1	NUT	DIN 934 M6-8A3L
38	72315052	1	SPLIT WASHER	FWN 65208-6-A3L

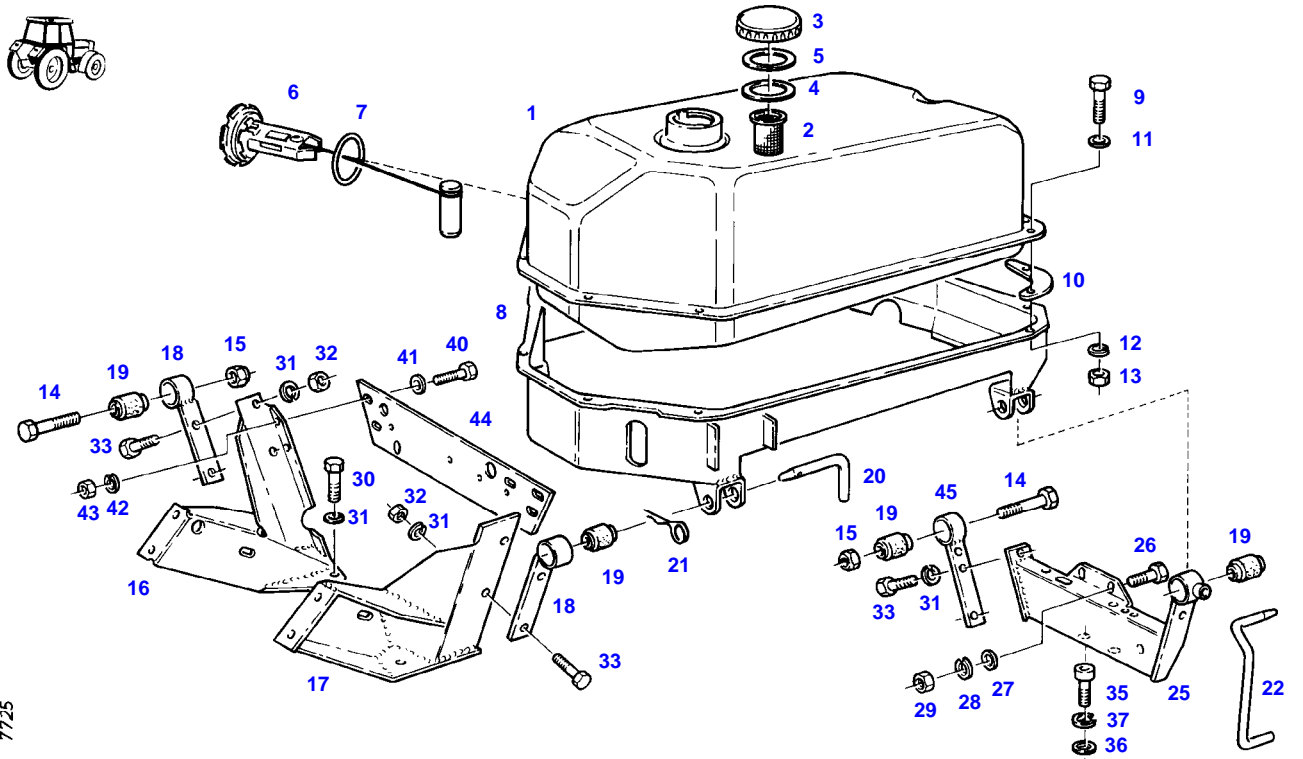
FARMER 307 (175/00801-99999)
5179



5179

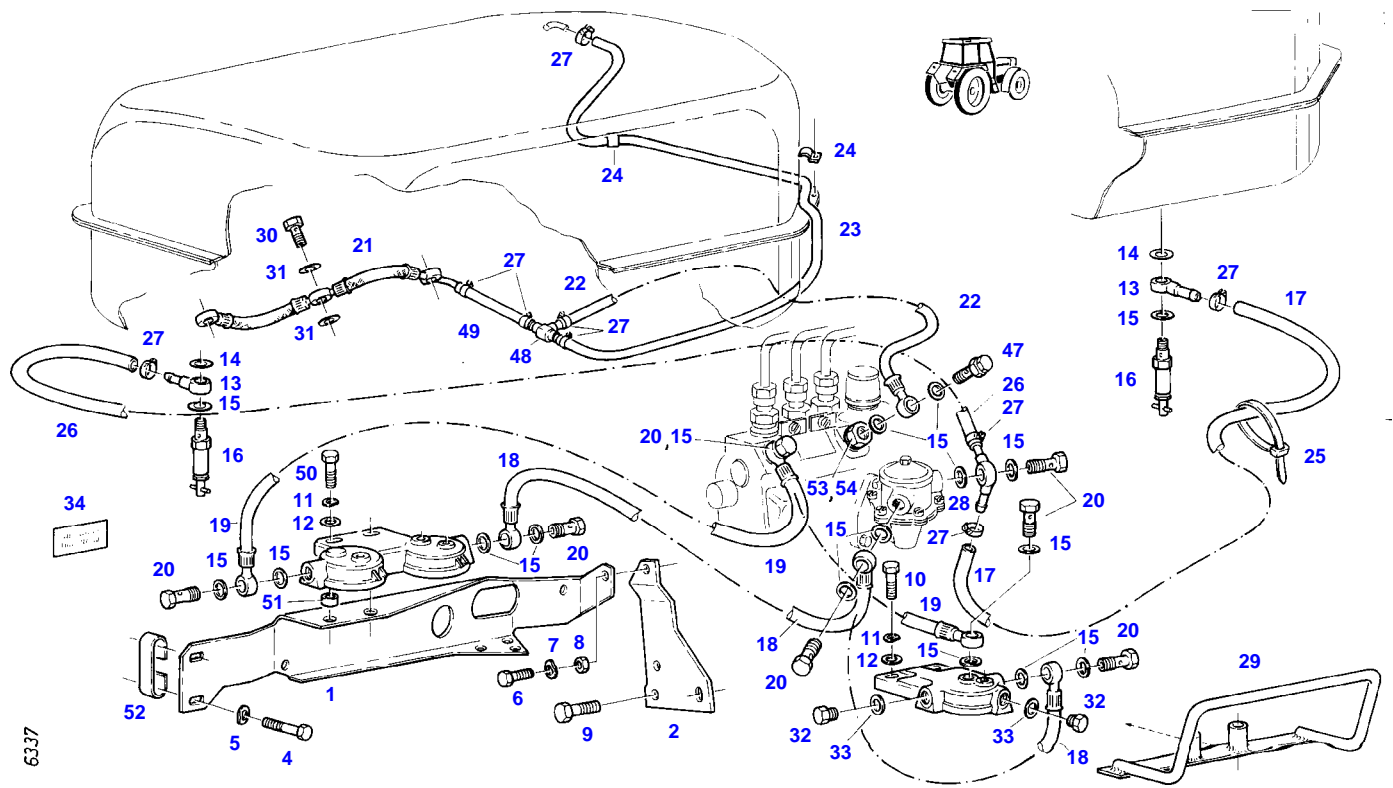
Item	Part Number	Qty	Description Comments	Technical Specification
			--> 175/20000	
1	72348236	1	FUEL TANK <>	
	72348556	1	FUEL LEVEL SENSOR	
2	72433112	1	STRAINER	60X100-MS
3	72380143	1	FUEL CAP KOEHLER ><4	M.BELUEF
	72348297	1	FUEL CAP LOCKABLE BLAU ><4+5	
4	72330725	1	SEAL BLAU	
	72312304	1	RUBBER SEAL KOEHLER	
5	72330726	1	SEAL BLAU	
6	72613041	1	FUEL LEVEL SENSOR ><7	
7	72315169	1	SEALING WASHER	
8	72355536	1	TANK FRAME	
9	72315626	8	HEXAGONAL HEAD BOLT	DIN 933-M6 X 16-8.8-A3L
11	72311822	16	DISC	DIN9021-6,4-140HV-A3L
12	72315052	8	SPLIT WASHER	FWN 65208-6-A3L
13	72313266	8	NUT	DIN 934 M6-8A3L
14	72315719	2	HEXAGONAL HEAD BOLT	DIN 933 M12X60-8.8A3L
15	72313325	2	NUT	DIN 980-VM12-8-A3L
16	72355440	1	BRACKET	
17	72355441	1	BRACKET	
18	72356758	2	SUPPORT ARM	
19	72310644	4	RUBBER BUSHING	
20	72404932	2	BEARING PIN	
21	72311183	2	HAIR COTTER PIN	DIN 11024-4-A3L
22	72393676	1	BEARING PIN	
25	72355727	1	CROSSMEMBER	
26	72315642	8	HEXAGONAL HEAD BOLT	DIN 933 M8 X 16-8.8A3L
27	72315653	4	HEXAGONAL HEAD BOLT	DIN 933 M8 X 25-8.8A3L
28	72315053	12	SPLIT WASHER	FWN 65208-8-A3L
29	72313268	4	NUT	DIN 934 M8-8A3L
30	72311788	2	DISC	DIN 125-8,4-ST.A3L
31	72315675	2	HEXAGONAL HEAD BOLT	DIN 933 M10X16-8.8A3L

FARMER 307 (175/00801-99999)
7725



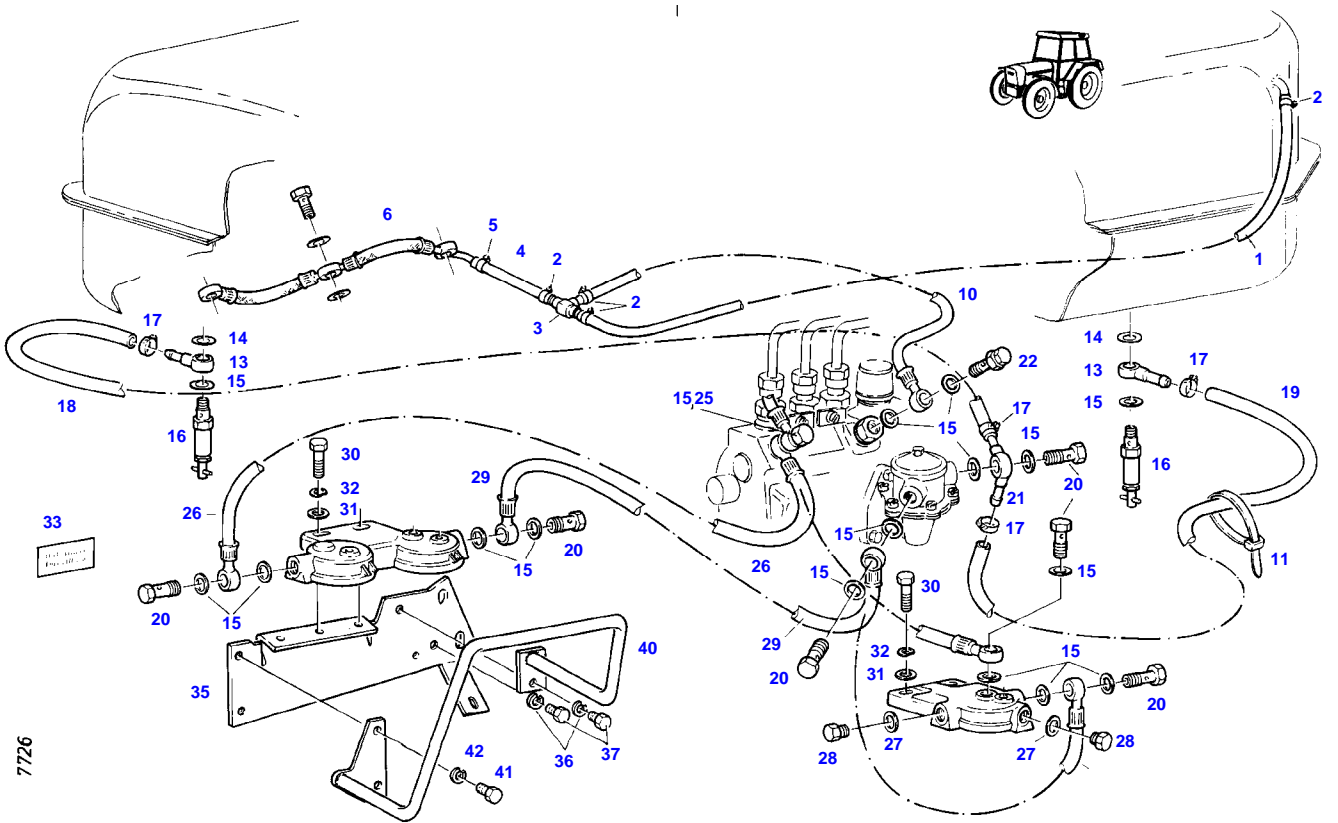
Item	Part Number	Qty	Description Comments	Technical Specification
			<-- 175/20001	
1	72348236	1	FUEL TANK	
2	72433112	1	STRAINER	60X100-MS
3	72380143	1	FUEL CAP KOEHLER	M.BELUEF
	72348297	1	><4 FUEL CAP LOCKABLE BLAU	
			><4+5	
4	72330725	1	SEAL BLAU	
	72312304	1	RUBBER SEAL KOEHLER	
5	72330726	1	SEAL BLAU	
6	72348556	1	FUEL LEVEL SENSOR ><7 <-- G148.200.060.011	
7	72315169	1	SEALING WASHER	
8	72355536	1	TANK FRAME	
9	72315626	8	HEXAGONAL HEAD BOLT	DIN 933-M6 X 16-8.8-A3L
10	72393006	2	SHEET METAL	
11	72311822	16	DISC	DIN9021-6,4-140HV-A3L
12	72315052	8	SPLIT WASHER	FWN 65208-6-A3L
13	72313266	8	NUT	DIN 934 M6-8A3L
14	72315719	2	HEXAGONAL HEAD BOLT	DIN 933 M12X60-8.8A3L
15	72313325	2	NUT	DIN 980-VM12-8-A3L
16	72355440	1	BRACKET	
17	72355441	1	BRACKET	
18	72356758	2	SUPPORT ARM	
19	72310644	4	RUBBER BUSHING	
20	72407288	2	BEARING PIN	
21	72311183	2	HAIR COTTER PIN	DIN 11024-4-A3L
22	72393681	1	BEARING PIN	
25	72357771	1	CROSSMEMBER	
26	72315689	2	HEXAGONAL HEAD BOLT	DIN 933 M10X35-8.8A3L
27	72311789	2	DISC	DIN 125-10,5-ST.A3L
28	72317122	2	SPRING WASHER	DIN 137 B10-MECH.VZK
29	72313272	2	NUT	DIN 934 M10-8A3L
30	72315642	6	HEXAGONAL HEAD BOLT	DIN 933 M8 X 16-8.8A3L
31	72315053	12	SPLIT WASHER	FWN 65208-8-A3L
32	72313268	4	NUT	DIN 934 M8-8A3L
33	72315653	4	HEXAGONAL HEAD BOLT	DIN 933 M8 X 25-8.8A3L
35	72374066	2	SOCKET HEAD BOLT	DIN 912 M12X20-8.8
36	72311804	2	DISC	DIN 433-13-ST.A3L
37	72315055	2	SPLIT WASHER	FWN 65208-12-A3L
40	72315631	4	HEXAGONAL HEAD BOLT	DIN 933 M6 X 20-8.8A3L
41	72311822	4	DISC	DIN9021-6,4-140HV-A3L
42	72315052	4	SPLIT WASHER	FWN 65208-6-A3L
43	72313266	4	NUT	DIN 934 M6-8A3L
44	72397321	1	SHEET METAL	
45	72357768	1	SUPPORT ARM	

FARMER 307 (175/00801-99999)
6337

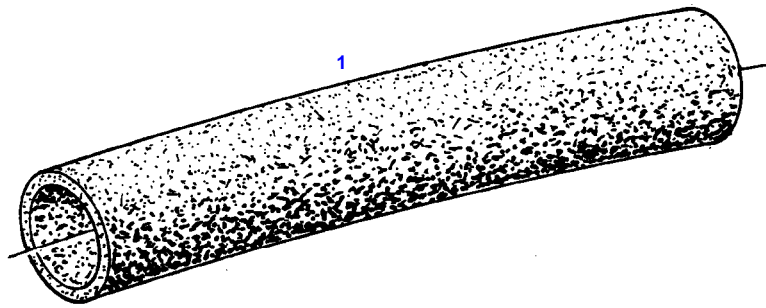


Item	Part Number	Qty	Description Comments	Technical Specification
			--> 175/20000	
1	72354920	1	FILTER RETAINER	
2	72393679	1	RETAINING SHEET METAL	
4	72315691	1	HEXAGONAL HEAD BOLT	DIN 933 M10X40-8.8A3L
	72315689	1	HEXAGONAL HEAD BOLT	DIN 933 M10X35-8.8A3L
5	72317122	2	SPRING WASHER	DIN 137 B10-MECH.VZK
6	72315642	1	HEXAGONAL HEAD BOLT	DIN 933 M8 X 16-8.8A3L
7	72315053	1	SPLIT WASHER	FWN 65208-8-A3L
8	72313268	1	NUT	DIN 934 M8-8A3L
9	72374490	2	HEXAGONAL HEAD BOLT	DIN 933 M14X20-8.8
	72374493	2	HEXAGONAL HEAD BOLT	DIN 933 M14X30-8.8
10	72315547	2	HEXAGONAL HEAD BOLT	DIN 931 M10X60-8.8A3L
	72315681	2	HEXAGONAL HEAD BOLT	DIN 933 M10X25-8.8A3L
11	72315054	2	SPLIT WASHER	FWN 65208-10-A3L
12	72311789	2	DISC	DIN 125-10,5-ST.A3L
13	72377531	2	RING HOSE NIPPLE	FWN65910-A-DN8
14	72315093	2	SEALING WASHER	DIN 7603 A12X18-CU
15	72315095	14	SEALING WASHER	DIN 7603 A14X20-CU
16	72380159	2	FUEL SHUT-OFF VALVE	
17	72450303	1	PRESSURE HOSE 980 MM CUT TO LENGTH	L=1000
18	72356760	1	FUEL LINE	
19	72355537	1	FUEL LINE	
20	72315808	4	BANJO BOLT	DIN 7643-10-3-A3L
21	72329530	1	LEAKAGE OIL LINE	
22	72356761	1	FUEL LINE	
23	72378086	-	PRESSURE HOSE	FWN 66041-P4
24	72398941	2	FASTENING COLLAR	
25	72316916	3	CABLE STRAP	FWN 66650 B175X4-SW
26	72450303	1	PRESSURE HOSE 880 MM CUT TO LENGTH	L=1000
27	72438345	4	HOSE CLIP	
	72438345	5	HOSE CLIP	
28	72377533	1	DOUBLE NIPPLE	FWN65910-DN8-120GR
29	72355462	1	HOLDER	
30			NOT USED	
31			NOT USED	
32	72315799	2	PLUG	DIN 7604 AM14X1,5-A3L
33	72315095	2	SEALING WASHER	DIN 7603 A14X20-CU
34	72393682	1	MARKING PLATE ARABIAN-ENGLISH	
47	72380268	1	BLEED AND DRAIN VALVE	
48	72380023	1	TEE FITTING	
49	72450301	1	PRESSURE HOSE 150 MM CUT TO LENGTH	L=1000
51	72310738	2	BUSH	
52	72399913	1	HOLDER	
53			NOT USED	
54			NOT USED	

FARMER 307 (175/00801-99999)
7726



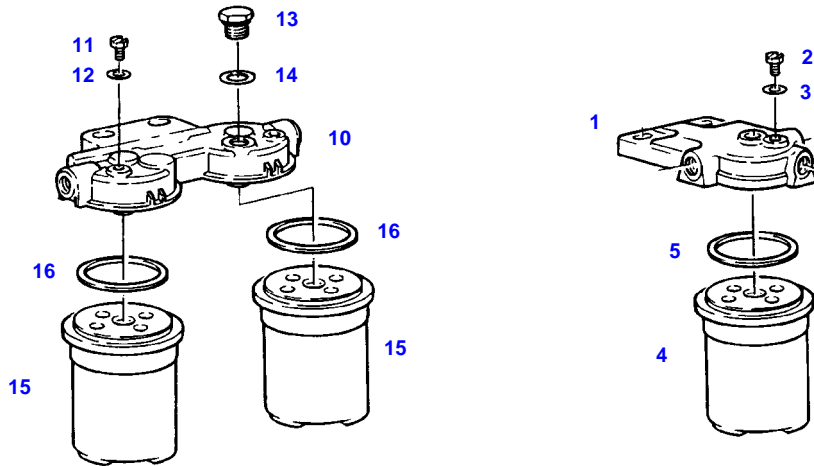
Item	Part Number	Qty	Description Comments	Technical Specification
			<-- 175/20001	
1	72450301	1	PRESSURE HOSE 750 MM CUT TO LENGTH	L=1000
2	72438345	4	HOSE CLIP	
3	72380023	1	TEE FITTING	
4	72450301	1	PRESSURE HOSE 150 MM CUT TO LENGTH	L=1000
5	72438345	1	HOSE CLIP	
6	72329530	1	LEAKAGE OIL LINE	
10	72356761	1	FUEL LINE	
11	72316916	3	CABLE STRAP	FWN 66650 B175X4-SW
13	72377531	2	RING HOSE NIPPLE	FWN65910-A-DN8
14	72315093	2	SEALING WASHER	DIN 7603 A12X18-CU
15	72315095	15	SEALING WASHER	DIN 7603 A14X20-CU
16	72380159	2	FUEL SHUT-OFF VALVE	
17	72438345	4	HOSE CLIP	
18	72450303	1	PRESSURE HOSE 800 MM CUT TO LENGTH	L=1000
19	72450303	1	PRESSURE HOSE 980 MM CUT TO LENGTH	L=1000
20	72315808	3	BANJO BOLT	DIN 7643-10-3-A3L
21	72377533	1	DOUBLE NIPPLE	FWN65910-DN8-120GR
22	72380268	1	BLEED AND DRAIN VALVE	
25	72310187	1	DOUBLE BOLT	
26	72355537	1	FUEL LINE	
27	72315095	2	SEALING WASHER	DIN 7603 A14X20-CU
28	72315799	2	PLUG	DIN 7604 AM14X1,5-A3L
29	72356760	1	FUEL LINE	
30	72315653	2	HEXAGONAL HEAD BOLT	DIN 933 M8 X 25-8.8A3L
31	72311824	2	DISC	DIN9021-8,4-140HV-A3L
32	72315053	2	SPLIT WASHER	FWN 65208-8-A3L
33	72393682	1	MARKING PLATE	
35	72357112	1	FILTER RETAINER	
36	72315053	3	SPLIT WASHER	FWN 65208-8-A3L
37	72315642	3	HEXAGONAL HEAD BOLT	DIN 933 M8 X 16-8.8A3L
40	72357121	1	PROTECTION BAR	
41	72315642	1	HEXAGONAL HEAD BOLT	DIN 933 M8 X 16-8.8A3L
42	72315053	1	SPLIT WASHER	FWN 65208-8-A3L



8555

Item	Part Number	Qty	Description Comments	Technical Specification
RAPE SEED OIL METHYLATED ESTER				
1	72436293	1	HEAT SHRINK TUBING 1X 2500 MM CUT TO LENGTH	L=2600
	72436294	X	HEAT SHRINK TUBING 1X 3000 MM CUT TO LENGTH	L=3100
	72436295	1	HEAT SHRINK TUBING 1X 2000 MM CUT TO LENGTH	L=2100

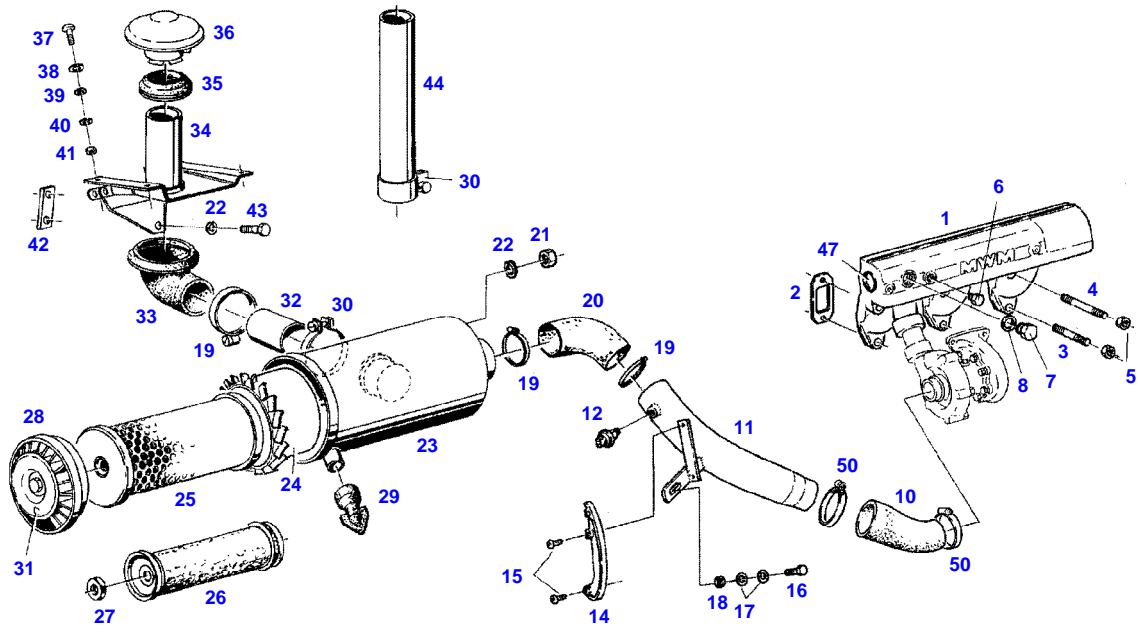
FARMER 307 (175/00801-99999)
4952



4952

Item	Part Number	Qty	Description Comments	Technical Specification
1	72615599	1	FILTER LID ><2,3	
2	72323290	1	BLEED SCREW	
3	72315084	1	SEALING WASHER	DIN 7603 A6X10-CU
4	72416928	1	FILTER BOX ><5	
5	72314995	1	RUBBER RING PARALLEL-FILTER	
10	72380173	1	PARALLEL FILTER BOSCH ><11-16 <-- X810.190.166.000 1X <>	
	72416928	2	FILTER BOX	
	72451307	1	COVER KNECHT ><11-12 <>	PARALLELFILT.
	72416928	2	FILTER BOX	
11	72323290	2	BLEED SCREW BOSCH	
	72314699	2	BLEED SCREW KNECHT	
12	72315084	2	SEALING WASHER BOSCH	DIN 7603 A6X10-CU
	72315086	2	SEALING WASHER KNECHT	DIN 7603 A8X11,5-CU
13	72326250	1	SCREW BOSCH	
14	72315095	1	SEALING WASHER BOSCH	DIN 7603 A14X20-CU
15	72416928	2	FILTER BOX ><16	
16	72314995	2	RUBBER RING	

FARMER 307 (175/00801-99999)
F060726

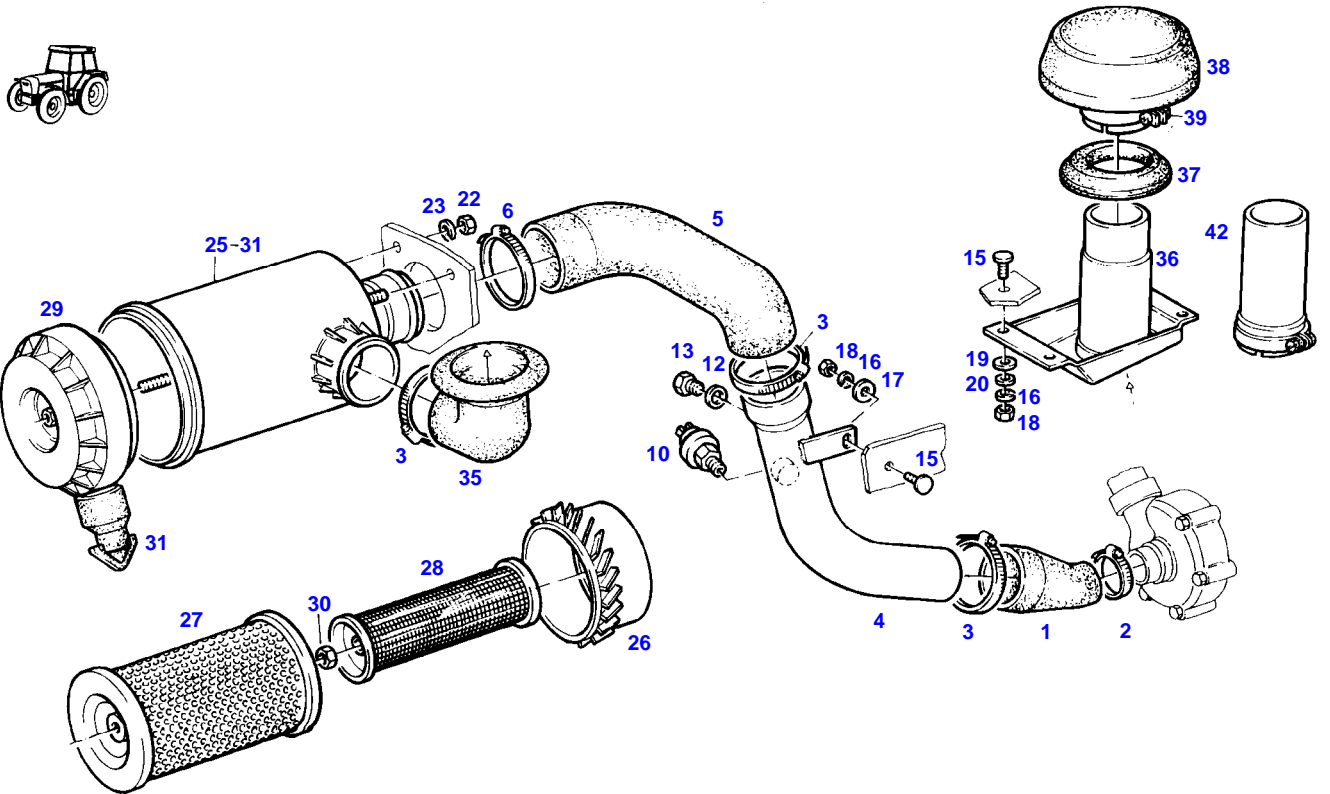


F060726



Item	Part Number	Qty	Description Comments	Technical Specification
			PICLON --> 175/20000	
1	72392836	1	INTAKE MANIFOLD	
2	72332145	3	MOLDED SEAL	
3	72374648	3	STUD BOLT	DIN 939 M10X40-10.9
4	72374654	3	STUD BOLT	DIN 939 M10X70-10.9
5	72373015	6	NUT	DIN70615-M10-8-A3B
6	72315433	1	SCREW	DIN 906 M14X1,5-ST
7	72373975	1	SCREW	DIN 910 M20X1,5-ST
8	72376031	1	SEALING WASHER	DIN 7603 A20X24-CU
9	72311170	1	HOSE CLIP	
10	72392837	1	RUBBER ARCH	
			<>	
	72492958	1	HOSE CLIP	59-83
11	72355443	1	INTAKE MANIFOLD	
	72420664	1	BOLT	
			AIR BRAKING SYSTEM	
	72436024	1	HOSE	L=920 DIN73411-15X3,5 R
			AIR BRAKING SYSTEM	
			1X 50MM	
	72311166	2	HOSE CLIP	
			AIR BRAKING SYSTEM	
12	72316876	1	MAINTENANCE SWITCH	
			MANN & HUMMEL	
	72379896	1	MAINTENANCE SWITCH	
			KNECHT	
14	72395417	1	SKID	
15	72315814	2	SCREW	DIN7976-ST4,8X16-F-A3L
16	72315630	1	HEXAGONAL HEAD BOLT	DIN 933 M6X18-8.8A3L
17	72311787	2	DISC	DIN 125-6,4-ST.A3L
18	72313318	1	NUT	DIN6925-M6-8-A3L
19	72373528	4	HOSE CLIP	
20	72395414	1	RUBBER ARCH	
21	72313268	4	NUT	DIN 934 M8-8A3L
22	72315053	6	SPLIT WASHER	FWN 65208-8-A3L
23	72348100	1	AIR FILTER	
			><23-30	
			NOT AVAILABLE IN SINGLE PARTS	
24	72329111	1	DIFFUSER	
25	72329734	1	MICRO-TOP CARTRIDGE	
26	72329735	1	SAFETY CARTRIDGE	
27	72372827	1	NUT	DIN 934 M16X1,5-10A3L
28	72329736	1	FLOOR	
			><29	
29	72326122	1	DUST DISCHARGE VALVE	
30	72329737	1	PIPE CLAMP	
			<-- X458.648.500.000	
31	72392986	1	ABSORPTION INDICATOR	
32	72393687	1	CONNECTING PIPE	
33	72393688	1	BELLOWS	
34	72355730	1	AIR INTAKE	
35	72393690	1	SEALING RING	
36	72330730	1	RAIN CAP	
37	72373806	4	TRUSS HEAD SCREW	DIN 603 M6X16-A3L
38	72311788	4	DISC	DIN 125-8,4-ST.A3L
39	72311787	4	DISC	DIN 125-6,4-ST.A3L
40	72315052	4	SPLIT WASHER	FWN 65208-6-A3L
41	72313266	4	NUT	DIN 934 M6-8A3L
42	72393790	1	THREADED PLATE	
43	72315645	2	HEXAGONAL HEAD BOLT	DIN 933 M8 X 12-8.8A3L
44	72384104	1	CONNECTING PIPE	
47	72377222	2	COVER	DIN 443-40
50	72492958	1	HOSE CLIP	59-83

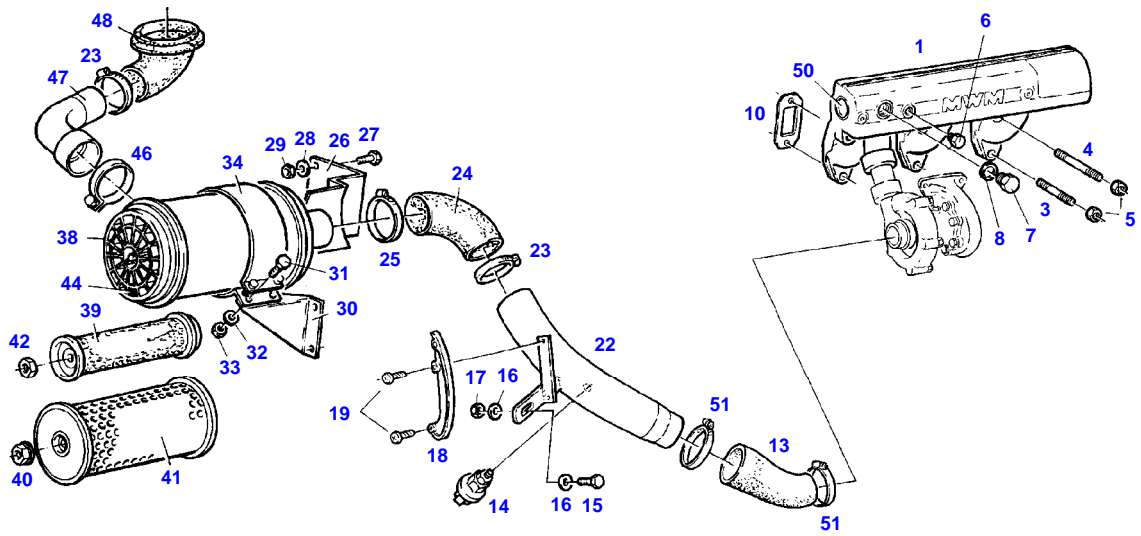
FARMER 307 (175/00801-99999)
7495



7495

Item	Part Number	Qty	Description Comments	Technical Specification
			PICLON <-- 175/20001	
1	72393007	1	REDUCER	
2	72311163	1	HOSE CLIP	
3	72311171	3	HOSE CLIP	
4	72355538	1	INTAKE MANIFOLD	
5	72395930	1	RUBBER ARCH	
6	72311172	1	HOSE CLIP	
10	72316876	1	MAINTENANCE SWITCH	
12	72315101	1	SEALING WASHER	DIN 7603 A22X27-CU
13	72315802	1	SCREW	DIN 7604 AM22X1,5-ST
15	72373809	5	TRUSS HEAD SCREW	DIN 603 M6X20-A3L
16	72315052	5	SPLIT WASHER	FWN 65208-6-A3L
17	72311822	1	DISC	DIN9021-6,4-140HV-A3L
18	72313266	5	NUT	DIN 934 M6-8A3L
19	72311787	4	DISC	DIN 125-6,4-ST.A3L
20	72311788	4	DISC	DIN 125-8,4-ST.A3L
22	72313268	4	NUT	DIN 934 M8-8A3L
23	72315053	4	SPLIT WASHER	FWN 65208-8-A3L
25	72348192	1	AIR FILTER ><26-31	
26	72329111	1	DIFFUSER	
27	72329734	1	MICRO-TOP CARTRIDGE	
28	72329735	1	SAFETY CARTRIDGE	
29	72329736	1	FLOOR	
30	72372827	1	NUT	DIN 934 M16X1,5-10A3L
31	72326122	1	DUST DISCHARGE VALVE	
35	72397326	1	BELLOWS	
36	72357774	1	AIR INTAKE	
37	72397329	1	SEALING RING	
38	72348784	1	RAIN CAP ><39	
39	72333025	1	PIPE CLAMP	
42	72348666	1	CONNECTING PIPE	

FARMER 307 (175/00801-99999)
F060727

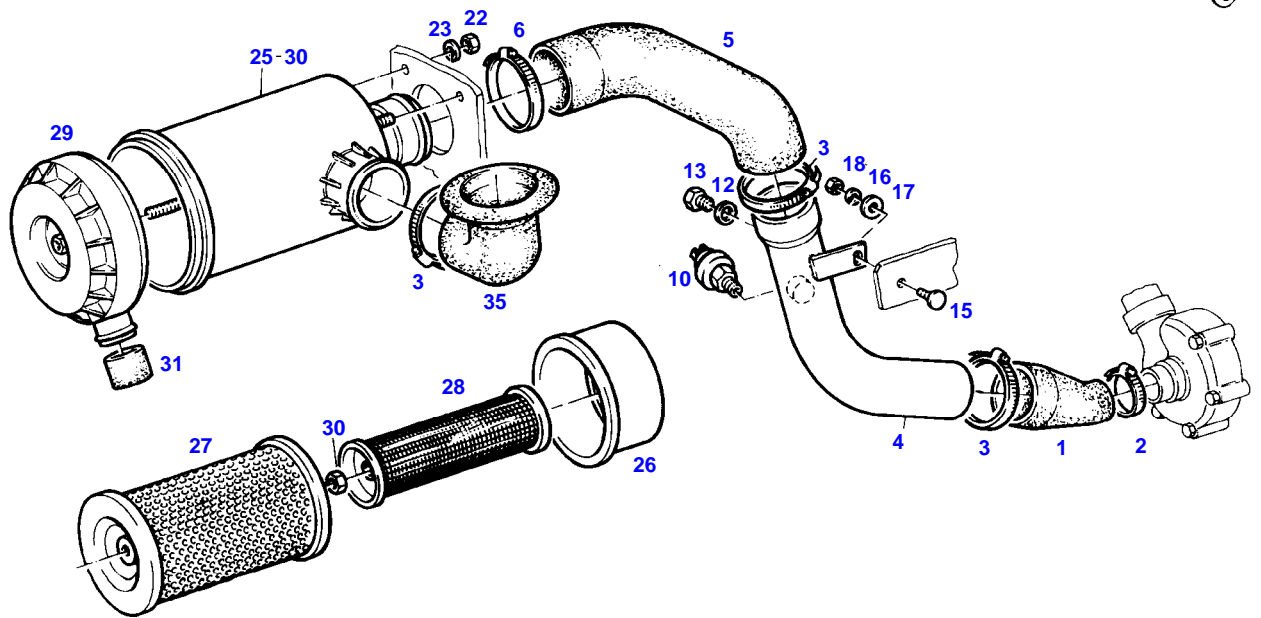


F060727



Item	Part Number	Qty	Description Comments	Technical Specification
			PICO --> 175/20000	
1	72392836	1	INTAKE MANIFOLD	
3	72374648	3	STUD BOLT	DIN 939 M10X40-10.9
4	72374654	3	STUD BOLT	DIN 939 M10X70-10.9
5	72373015	6	NUT	DIN70615-M10-8-A3B
6	72315433	1	SCREW	DIN 906 M14X1,5-ST
7	72373975	1	SCREW	DIN 910 M20X1,5-ST
8	72376031	1	SEALING WASHER	DIN 7603 A20X24-CU
10	72332145	3	MOLDED SEAL	
12	72311170	1	HOSE CLIP	
13	72392837	1	RUBBER ARCH	
			<>	
	72492958	1	HOSE CLIP	59-83
14	72316876	1	MAINTENANCE SWITCH	
15	72315630	1	HEXAGONAL HEAD BOLT	DIN 933 M6X18-8.8A3L
16	72311787	2	DISC	DIN 125-6,4-ST.A3L
17	72313318	1	NUT	DIN6925-M6-8-A3L
18	72395417	1	SKID	
19	72315814	2	SCREW	DIN7976-ST4,8X16-F-A3L
22	72355442	1	INTAKE MANIFOLD	
	72355443	1	INTAKE MANIFOLD AIR BRAKING SYSTEM	
23	72373528	3	HOSE CLIP	
24	72395421	1	RUBBER ARCH	
25	72311171	1	HOSE CLIP	
26	72356745	1	RETAINER	
27	72315645	3	HEXAGONAL HEAD BOLT	DIN 933 M8 X 12-8.8A3L
28	72315053	3	SPLIT WASHER	FWN 65208-8-A3L
29	72313268	3	NUT	DIN 934 M8-8A3L
30	72395446	1	SUPPORT	
31	72315629	2	HEXAGONAL HEAD BOLT	DIN 933 M6 X 12-8.8A3L
32	72315052	2	SPLIT WASHER	FWN 65208-6-A3L
33	72313266	2	NUT	DIN 934 M6-8A3L
34	72348547	1	PIPE CLAMP	
38	72348545	1	AIR FILTER >>39-42	
39	72332126	1	SAFETY CARTRIDGE	
40	72339030	1	COLLAR NUT	
41	72332441	1	MICRO-TOP CARTRIDGE	
42	72372827	1	NUT	DIN 934 M16X1,5-10A3L
44	72392986	1	ABSORPTION INDICATOR	
46	72373517	1	CLAMPING CLIP	
47	72356718	1	ELBOW FITTING	
48	72393688	1	BELLOWS	
50	72377222	2	COVER	DIN 443-40
51	72492958	1	HOSE CLIP	59-83

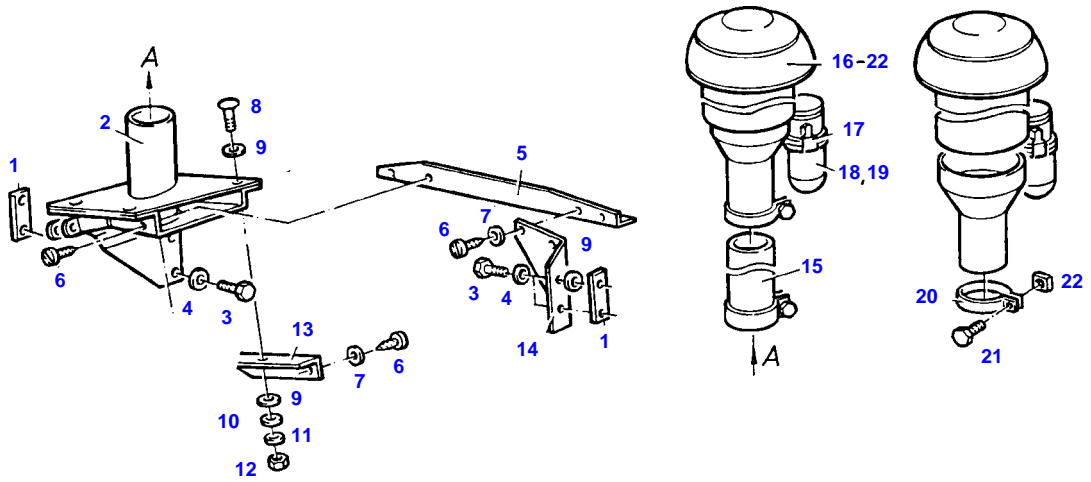
FARMER 307 (175/00801-99999)
7496



7496

Item	Part Number	Qty	Description Comments	Technical Specification
			PICO <-- 175/20001	
1	72393007	1	REDUCER	
2	72311163	1	HOSE CLIP	
3	72311171	3	HOSE CLIP	
4	72355538	1	INTAKE MANIFOLD	
5	72395930	1	RUBBER ARCH	
6	72311172	1	HOSE CLIP	
10	72316876	1	MAINTENANCE SWITCH	
12	72315101	1	SEALING WASHER	DIN 7603 A22X27-CU
13	72315802	1	SCREW	DIN 7604 AM22X1,5-ST
15	72373809	1	TRUSS HEAD SCREW	DIN 603 M6X20-A3L
16	72315052	1	SPLIT WASHER	FWN 65208-6-A3L
17	72311822	1	DISC	DIN9021-6,4-140HV-A3L
18	72313266	1	NUT	DIN 934 M6-8A3L
22	72313268	4	NUT	DIN 934 M8-8A3L
23	72315053	4	SPLIT WASHER	FWN 65208-8-A3L
25	72348193	1	AIR FILTER ><26-30	
26	72329412	1	GUIDE RING	
27	72329734	1	MICRO-TOP CARTRIDGE	
28	72329735	1	SAFETY CARTRIDGE	
29	72329411	1	FLOOR	
30	72372827	1	NUT	DIN 934 M16X1,5-10A3L
31	72392801	1	CAP	
35	72397326	1	BELLOWS	

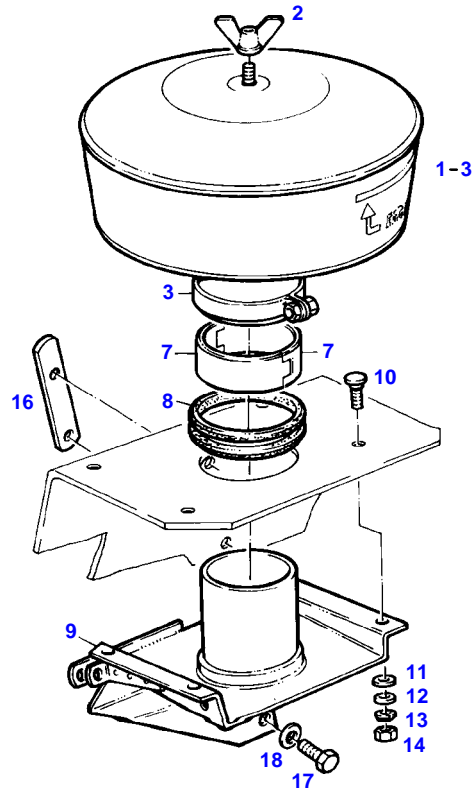
FARMER 307 (175/00801-99999)
4270



4270

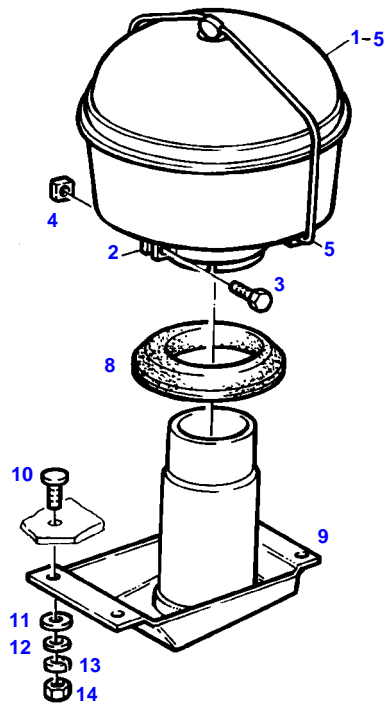
Item	Part Number	Qty	Description Comments	Technical Specification
			PICO --> 175/20000	
1	72393790	2	THREADED PLATE	
2	72356719	1	AIR INTAKE	
3	72315645	4	HEXAGONAL HEAD BOLT	DIN 933 M8 X 12-8.8A3L
4	72315053	4	SPLIT WASHER	FWN 65208-8-A3L
5	72395424	1	STIFFENING PLATE	
6	72315789	6	SCREW	DIN 7981 ST4,8X9,5-C-H-A3
7	72311785	4	DISC	DIN 125-5,3-ST.A3L
8	72373806	4	TRUSS HEAD SCREW	DIN 603 M6X16-A3L
9	72311788	9	DISC	DIN 125-8,4-ST.A3L
10	72311787	4	DISC	DIN 125-6,4-ST.A3L
11	72315052	4	SPLIT WASHER	FWN 65208-6-A3L
12	72313266	4	NUT	DIN 934 M6-8A3L
13	72395425	1	GUSSET PLATE	
14	72395423	1	GUSSET PLATE	
15	72384104	1	CONNECTING PIPE	
16	72348546	1	CYCLONE AIR CLEANER ><17-22	
17	72321921	1	CATCH	
18	72330736	1	FUNNEL	
19	72320204	1	CONTAINER	
20	72328628	1	PIPE CLAMP	
21	72328615	1	HEXAGONAL HEAD BOLT	
22	72372784	1	SQUARE NUT	DIN 557 M8-5

FARMER 307 (175/00801-99999)
5994



7594

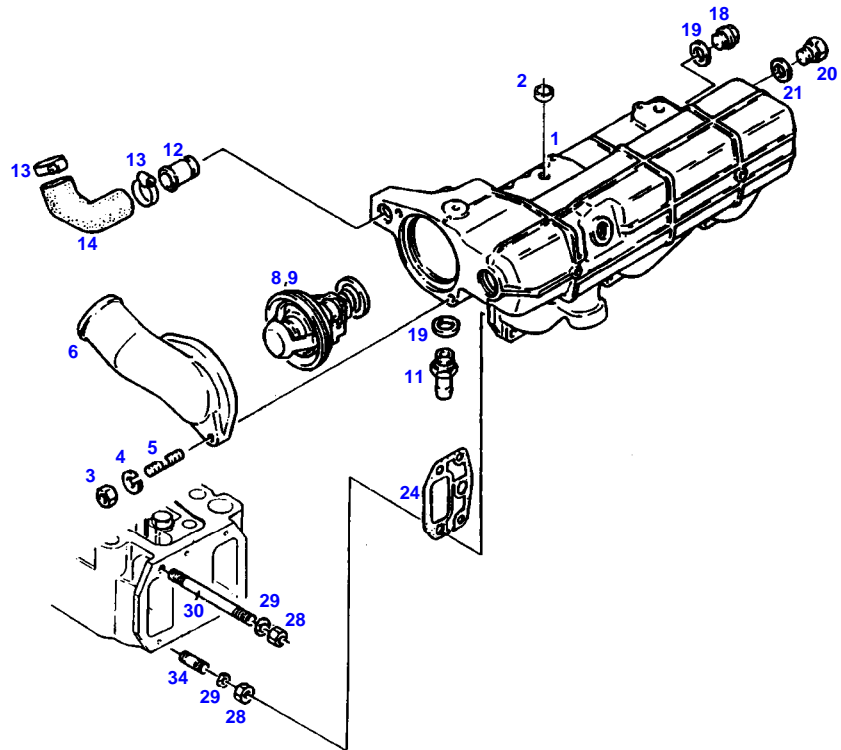
Item	Part Number	Qty	Description Comments	Technical Specification
			PICO --> 175/20000	
1	72348552	1	PRE-CLEANER >>1-3	
	72311582	1	DUST CUP	
2	72313238	1	WING NUT	
3	72332464	1	HOSE CLIP	
7	72395448	2	HALF-BEARING	
8	72393690	1	SEALING RING	
9	72356750	1	AIR INTAKE	
10	72373806	4	TRUSS HEAD SCREW	DIN 603 M6X16-A3L
11	72311788	4	DISC	DIN 125-8,4-ST.A3L
12	72311787	4	DISC	DIN 125-6,4-ST.A3L
13	72315052	4	SPLIT WASHER	FWN 65208-6-A3L
14	72313266	4	NUT	DIN 934 M6-8A3L
16	72393790	1	THREADED PLATE	
17	72315645	2	HEXAGONAL HEAD BOLT	DIN 933 M8 X 12-8.8A3L
18	72315053	2	SPLIT WASHER	FWN 65208-8-A3L



7497

Item	Part Number	Qty	Description Comments	Technical Specification
			PICO <-- 175/20001	
1	72348194	1	CYCLONE AIR CLEANER >>1-5	
	72329416	1	DUST CUP	
2	72329414	1	PIPE CLAMP	
3	72329413	1	HEXAGONAL HEAD BOLT	
4	72372783	1	SQUARE NUT	DIN 557 M6-5 A3L
5	72329415	1	HOLDER	
8	72397329	1	SEALING RING	
9	72357774	1	AIR INTAKE	
10	72373809	4	TRUSS HEAD SCREW	DIN 603 M6X20-A3L
11	72311788	4	DISC	DIN 125-8,4-ST.A3L
12	72311787	4	DISC	DIN 125-6,4-ST.A3L
13	72315052	4	SPLIT WASHER	FWN 65208-6-A3L
14	72313266	4	NUT	DIN 934 M6-8A3L

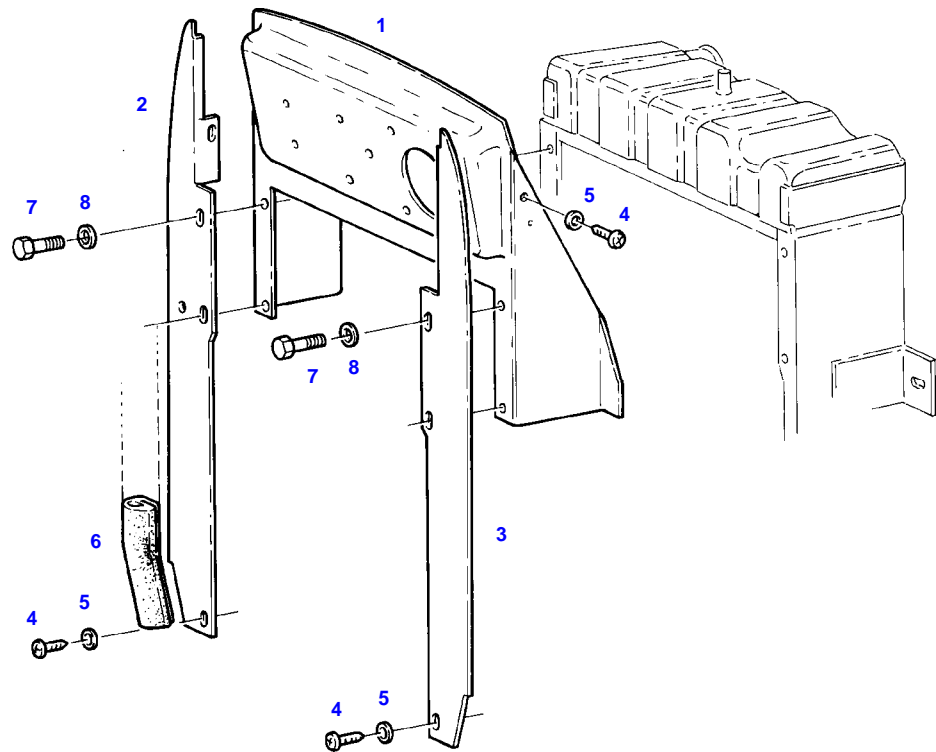
FARMER 307 (175/00801-99999)
8980



8980

Item	Part Number	Qty	Description Comments	Technical Specification
			<-- 175/20001	
1	72393004	1	INTAKE MANIFOLD	
2	72311455	2	COVER	
3	72372805	2	NUT	DIN 934 M8-10 C2A
4	72315053	2	SPLIT WASHER	FWN 65208-8-A3L
5	72373904	2	STUD BOLT	DIN 835-M8X30-8.8
6	72397293	1	COVER	
8	72348782	1	THERMOSTAT	
			><9	
	72333024	1	THERMOSTAT 85 C SCANDINAVIA	
9	72397296	1	BRUSH SEALING	
11	72396595	1	HOSE BARB	
12	72411402	1	HOSE BARB	
			<>	
	72315101	1	SEALING WASHER	DIN 7603 A22X27-CU
13	72311168	2	HOSE CLIP	
14	72395453	1	RUBBER ARCH	
18	72315802	1	SCREW	DIN 7604 AM22X1,5-ST
19	72315101	2	SEALING WASHER	DIN 7603 A22X27-CU
20	72315798	1	PLUG	DIN 7604 AM12X1,5-ST
21	72315093	1	SEALING WASHER	DIN 7603 A12X18-CU
24	72397295	3	MOLDED SEAL	
28	72373015	9	NUT	DIN70615-M10-8-A3B
29	72386496	9	DISC	
30	72374658	3	STUD BOLT	DIN 939-M10X100-8.8
34	72374646	6	STUD BOLT	DIN 939 M10X30-8.8

FARMER 307 (175/00801-99999)
6338



6338

Item	Part Number	Qty	Description Comments	Technical Specification
			RANGE OF TEMPERATURE 1+2 / 1+2 WITH AIR BRAKE SUPPLY EQUIPEMENT	
1	72355533	1	FILTER BRACKET	
2	72393001	1	SPLASH PANEL	
	72393002	1	SPLASH PANEL AIR CONDITION	
3	72392834	1	SPLASH PANEL	
4	72315785	3	SCREW	DIN 7981 ST4,2X9,5-C-H-A3
5	72311817	3	DISC	DIN9021-4,3-140HV-A3L
6	72393692	1	SEALING PROFILE	
7	72315645	4	HEXAGONAL HEAD BOLT	DIN 933 M8 X 12-8.8A3L
8	72317121	4	SPRING WASHER	DIN 137 B8-MECH.VZK

Thank you so much for reading.
Please click the “Buy Now!”
button below to download the
complete manual.



After you pay.

You can download the most
perfect and complete manual in
the world immediately.

Our support email:

ebooklibonline@outlook.com