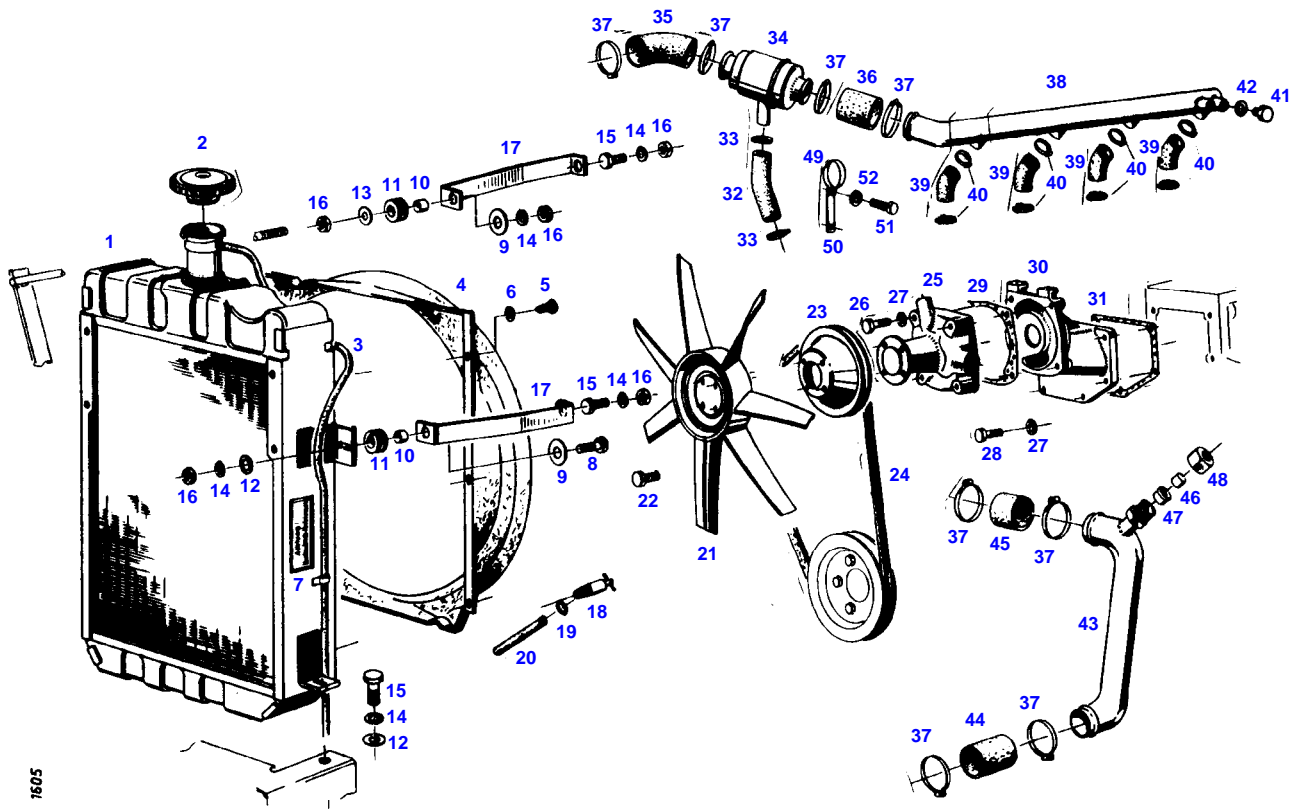


TABLE OF CONTENT

Page Number	Page Title	Page Reference
01-000-TOC	ENGINE, FUEL AND EXHAUST SYSTEM	01-000-TOC
02-000-TOC	AXLES	02-000-TOC
03-000-TOC	STEERING SYSTEM	03-000-TOC
04-000-TOC	DRIVE TRAIN SYSTEM	04-000-TOC
05-000-TOC	COMPRESSED AIR SYSTEM	05-000-TOC
06-000-TOC	HYDRAULIC SYSTEM	06-000-TOC
07-000-TOC	ELECTRICAL SYSTEM	07-000-TOC
08-000-TOC	CAB	08-000-TOC
09-000-TOC	AIR CONDITIONING AND HEATING SYSTEM	09-000-TOC
10-000-TOC	CHASSIS	10-000-TOC
11-000-TOC	WHEELS	11-000-TOC
12-000-TOC	IMPLEMENT LIFT SYSTEM FRONT	12-000-TOC
13-000-TOC	IMPLEMENT LIFT SYSTEM REAR	13-000-TOC
14-000-TOC	FRONT/REAR LOADERS	14-000-TOC
15-000-TOC	ATTACHMENTS	15-000-TOC
16-000-TOC	ACCESSORIES	16-000-TOC

FARMER 308 (178/00001-12000)
1605



1605

Item	Part Number	Qty	Description Comments	Technical Specification
			RANGE OF TEMPERATURE 2 --> 178/10455	
1	72348541	1	RADIATOR >><1-3	
2	72478248	1	COLLER LOCKING	
3	72436028	1	HOSE	L=1500FWN65912-10X2-PVC-W-G
4	72393668	1	FAN COVER	
5	72315818	4	SCREW	DIN7976-ST4,2X25-C-A3L
	72315787	2	SCREW	DIN 7981 B4,2X16-A3L
6	72311817	6	DISC	DIN9021-4,3-140HV-A3L
7	72386100	2	WARNING SIGN D	
	72379109	2	MARKING PLATE GB	FWN66556-35X68-SCHUTZVORR.N.OE
	72388086	2	WARNING SIGN F	
	72379109	2	MARKING PLATE I	FWN66556-35X68-SCHUTZVORR.N.OE
	72388088	1	WARNING SIGN E	
8	72315657	1	HEXAGONAL HEAD BOLT --> 178/1995	DIN 933 M8 X 30-8.8A3L
	72315660	1	HEXAGONAL HEAD BOLT <-- 178/1996	DIN 933 M8X35-8.8A3L
9	72311888	2	DISC	
10	72404345	2	SLEEVE --> 178/1995	
	72310718	2	BUSH <-- 178/1996	
11	72404344	2	UNIVERSAL SPOUT --> 178/1995	
	72312479	4	UNIVERSAL SPOUT <-- 178/1996	
12	72311788	3	DISC	DIN 125-8,4-ST.A3L
13	72311788	1	DISC	DIN 125-8,4-ST.A3L
14	72315053	6	SPLIT WASHER	FWN 65208-8-A3L
15	72315650	4	HEXAGONAL HEAD BOLT	DIN 933 M8 X 20-8.8A3L
16	72313268	5	NUT	DIN 934 M8-8A3L
17	72393671	2	BRACE --> 178/1995 <> <>	
	72312479	2	UNIVERSAL SPOUT	
	72310718	1	BUSH	
18	72378063	1	RELIEF VALVE	DIN71401-CM14X1,5KEG
19	72438345	1	HOSE CLIP	
20	72389310	1	HOSE	
21			SEE ENGINE BLOWER	
22			SEE ENGINE BLOWER	
23			SEE ENGINE BLOWER	
24			SEE ALTERNATOR ASSY	
25			SEE ENGINE BLOWER	
26			SEE ENGINE BLOWER	
27			SEE ENGINE BLOWER	
28			SEE ENGINE BLOWER	
29			SEE ENGINE BLOWER	

Item	Part Number	Qty	Description Comments	Technical Specification
30			SEE ENGINE BLOWER	
31			SEE CRANKCASE	
32	72393670	1	RUBBER ARCH	
33	72311167	2	HOSE CLIP	
34	72380193	1	THERMOSTAT	75GR+-2GR
35	72393666	1	RUBBER ARCH	
36	72450416	1	HOSE 1X 50MM CUT TO LENGTH	L=120 DIN73411-35X
37	72311162	8	HOSE CLIP	
38	72329110	1	COOLING WATER SUPPLY LINE	
	72356040	1	RESISTOR CABLE	
	72316916	1	CABLE STRAP	FWN 66650 B175X4-SW
39	72329731	4	RUBBER ARCH	
40	72311167	8	HOSE CLIP	
41	72315802	1	SCREW NOT NEEDED WITH HEATING	DIN 7604 AM22X1,5-ST
42	72315101	1	SEALING WASHER NOT NEEDED WITH HEATING	DIN 7603 A22X27-CU
43	72355717	1	SUCTION LINE --> 178/0825	
	72356699	1	SUCTION LINE <-- 178/0826 --> 178/9000	
	72356702	1	SUCTION LINE <-- 178/9001	
44	72450416	1	HOSE 1X 110MM CUT TO LENGTH --> 178/1995	L=120 DIN73411-35X
	72450416	1	HOSE 1X 60MM CUT TO LENGTH <-- 178/1996 --> 178/9000	L=120 DIN73411-35X
	72395412	1	RUBBER ARCH <-- 178/9001	
45	72450416	1	HOSE 1X 60MM CUT TO LENGTH --> 178/9000	L=120 DIN73411-35X
	72393672	1	REDUCER <-- 178/9001	
46	72393669	1	BOLT NOT NEEDED WITH HEATING --> 178/0825	
	72315802	1	SCREW NOT NEEDED WITH HEATING <-- 178/0826 --> 178/9000	DIN 7604 AM22X1,5-ST
47	72315165	1	CUTTING RING NOT NEEDED WITH HEATING --> 178/0825	DIN 3861-L18-ST-A3L
	72315101	1	SEALING WASHER NOT NEEDED WITH HEATING <-- 178/0826 --> 178/9000	DIN 7603 A22X27-CU
48	72313368	1	CONNECTING NUT --> 178/0825	DIN 3870 AL18-9S20K A3L
	72404925	1	CAP NOT NEEDED WITH HEATING <-- 178/9001	
	72311166	1	HOSE CLIP NOT NEEDED WITH HEATING <-- 178/9001	
49	72337051	2	PIPE CLAMP	
50	72332467	2	PLATE LINK	
	72315629	2	HEXAGONAL HEAD BOLT	DIN 933 M6 X 12-8.8A3L

Fendt

FARMER 308 (178/00001-12000)

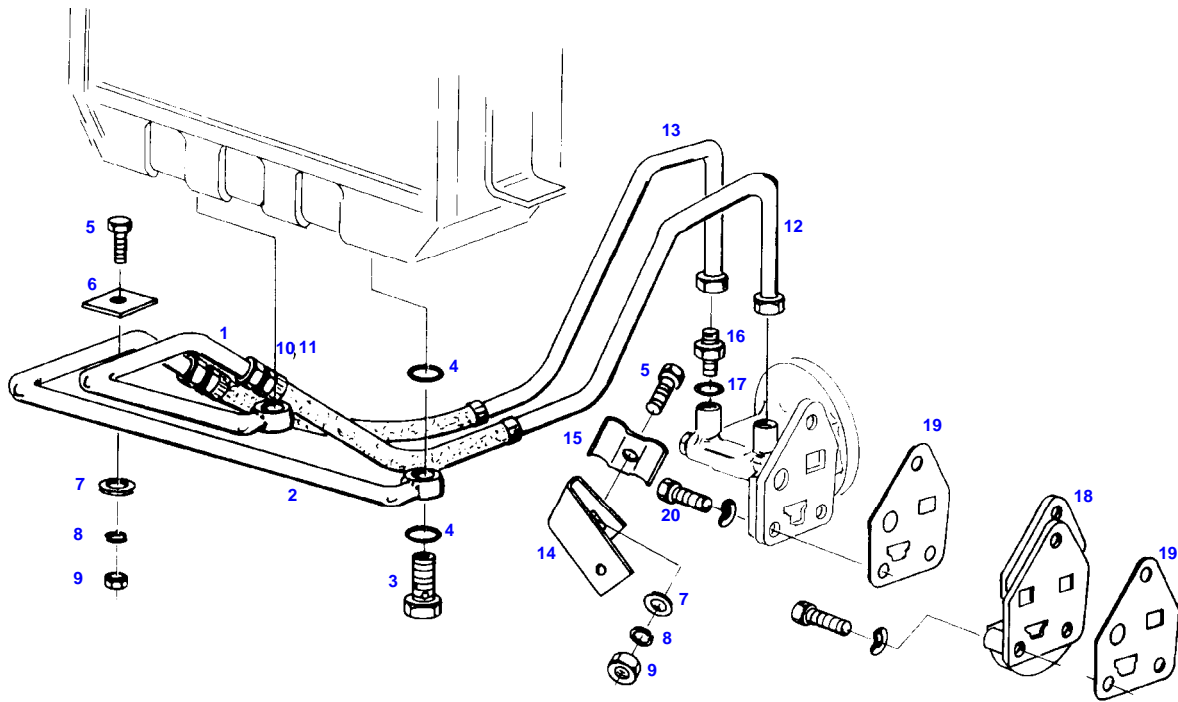
F178000

WATER COOLED RADIATOR

Page01-0005

Item	Part Number	Qty	Description Comments	Technical Specification
	72315052	2	SPLIT WASHER	FWN 65208-6-A3L
51	72315630	2	HEXAGONAL HEAD BOLT	DIN 933 M6X18-8.8A3L
52	72315052	2	SPLIT WASHER	FWN 65208-6-A3L

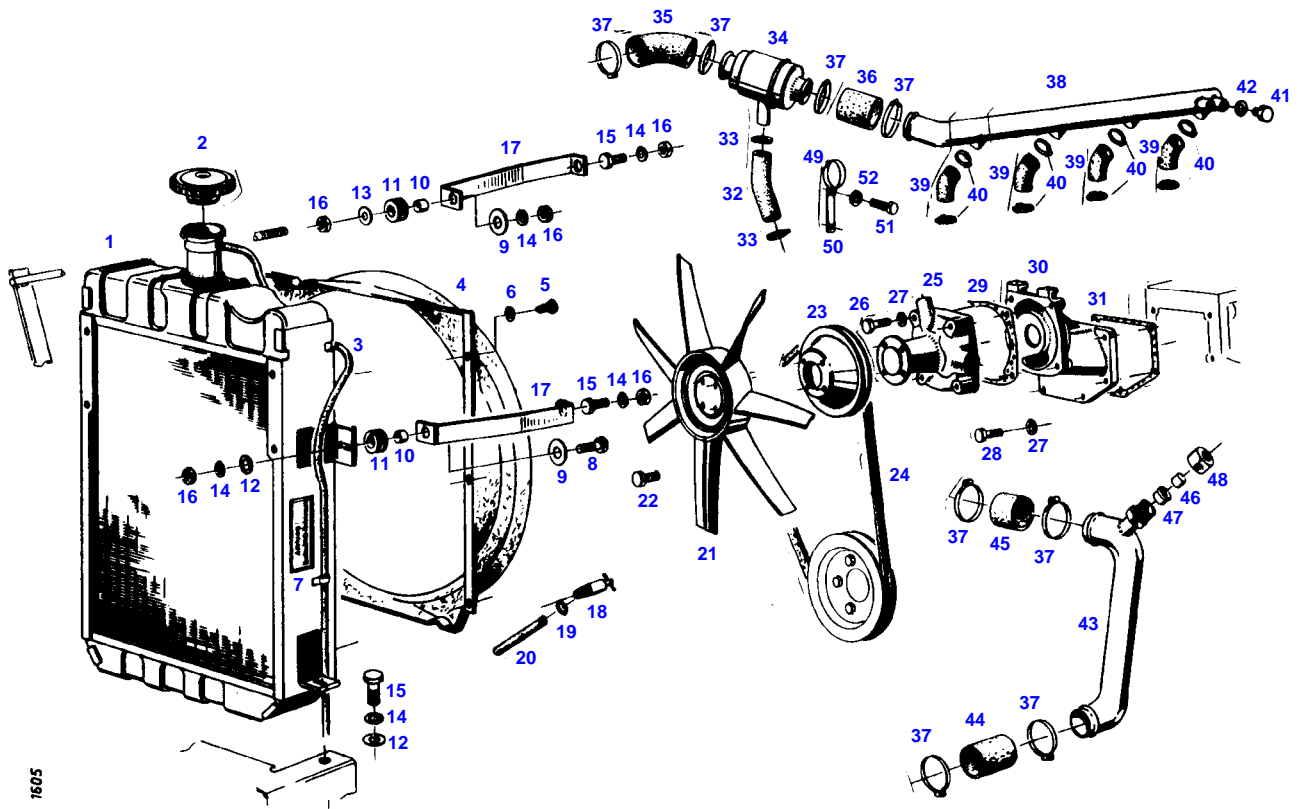
FARMER 308 (178/00001-12000)
2121



2121

Item	Part Number	Qty	Description Comments	Technical Specification
			RANGE OF TEMPERATURE 2 --> 178/10455	
1	72356697	1	OIL LINE	
2	72356698	1	OIL LINE	
3	72315808	2	BANJO BOLT	DIN 7643-10-3-A3L
4	72315094	4	SEALING WASHER	DIN 7603 A14X18-CU
5	72315633	2	HEXAGONAL HEAD BOLT	DIN 933 M6X25-8.8A3L
6	72395407	1	PLATE	
7	72311787	2	DISC	DIN 125-6,4-ST.A3L
8	72315052	2	SPLIT WASHER	FWN 65208-6-A3L
9	72313266	2	NUT	DIN 934 M6-8A3L
10	72313365	2	CONNECTING NUT	DIN3870 AL10/M16X1.5-9S20K A3L
11	72315162	2	CUTTING RING	DIN 3861-L10-ST-A3L
12	72356700	1	HOSE LINE	
13	72356701	1	HOSE LINE	
14	72395406	1	RETAINING BRACKET	
15	72311266	1	CLIP	
16	72393673	2	SCREW NECK --> 178/3157	
	72377920	2	NOZZLE <-- 178/3158	A LL15X22
17	72315101	2	SEALING WASHER	DIN 7603 A22X27-CU
18	72395405	1	INTERMEDIATE PIECE --> 178/3157	
19	72327148	2	MOLDED SEAL --> 178/3157	
20	72315554	1	HEXAGONAL HEAD BOLT --> 178/3157	DIN 931 M10X65 GWA-10.9
	72374177	1	HEXAGONAL HEAD BOLT --> 178/3157	DIN 931 M10X45-8.8
	72315689	1	HEXAGONAL HEAD BOLT --> 178/3157	DIN 933 M10X35-8.8A3L
	72315685	1	HEXAGONAL HEAD BOLT --> 178/3157	DIN 933 M10X30-8.8A3L
	72315691	1	HEXAGONAL HEAD BOLT --> 178/3157	DIN 933 M10X40-8.8A3L
	72315691	2	HEXAGONAL HEAD BOLT <-- 178/3158	DIN 933 M10X40-8.8A3L
	72313776	1	STUD BOLT <-- 178/3158	DIN 939 M10X25-8.8
	72317122	5	SPRING WASHER	DIN 137 B10-MECH.VZK

FARMER 308 (178/00001-12000)
1605

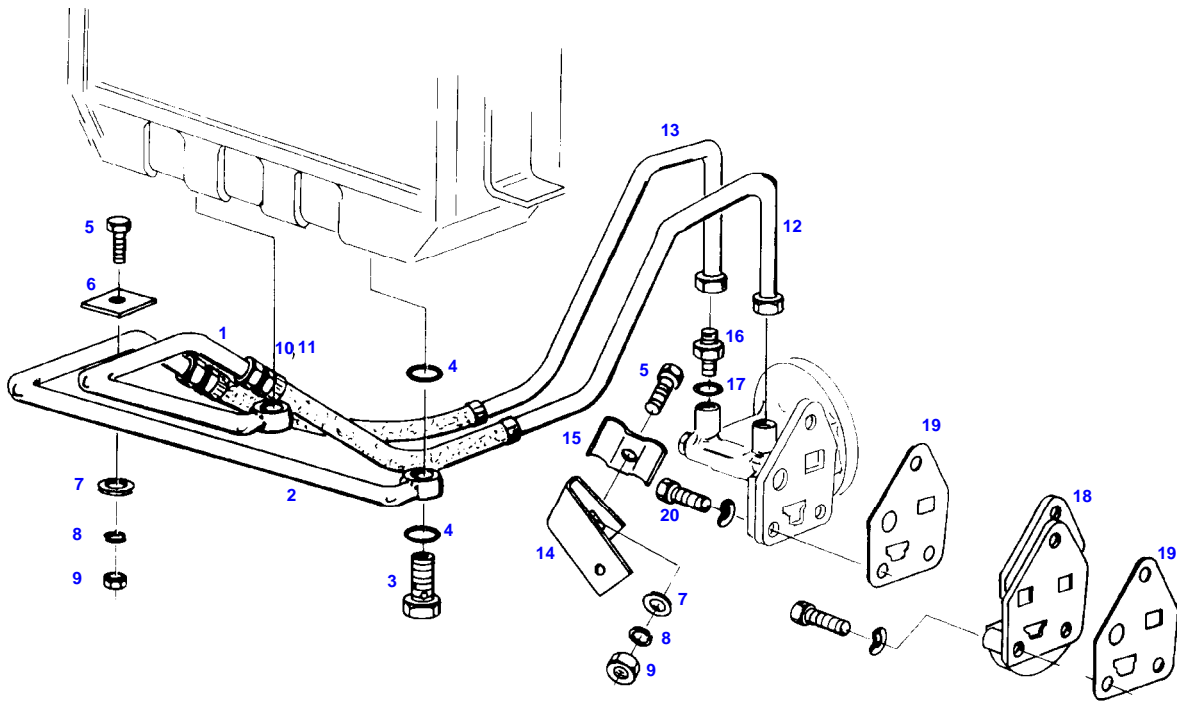


1605

Item	Part Number	Qty	Description Comments	Technical Specification
			ITALY RANGE OF TEMPERATURE 2 <-- 178/0704 --> 178/10455	
1	72348541	1	RADIATOR ><1-3	
2	72478248	1	COLLER LOCKING	
3	72436028	1	HOSE	L=1500FWN65912-10X2-PVC-W-G
4	72393668	1	FAN COVER	
5	72315818	4	SCREW	DIN7976-ST4,2X25-C-A3L
	72315787	2	SCREW	DIN 7981 B4,2X16-A3L
6	72311817	6	DISC	DIN9021-4,3-140HV-A3L
7	72386100	2	WARNING SIGN	
	72388086	2	WARNING SIGN	
8	72315657	1	HEXAGONAL HEAD BOLT --> 178/1995	DIN 933 M8 X 30-8.8A3L
	72315660	1	HEXAGONAL HEAD BOLT <-- 178/1996	DIN 933 M8X35-8.8A3L
9	72311888	2	DISC	
10	72404345	2	SLEEVE --> 178/1995	
	72310718	2	BUSH <-- 178/1996	
11	72404344	2	UNIVERSAL SPOUT --> 178/1995	
	72312479	4	UNIVERSAL SPOUT <-- 178/1996	
12	72311788	3	DISC	DIN 125-8,4-ST.A3L
13	72311788	1	DISC	DIN 125-8,4-ST.A3L
14	72315053	6	SPLIT WASHER	FWN 65208-8-A3L
15	72315650	4	HEXAGONAL HEAD BOLT	DIN 933 M8 X 20-8.8A3L
16	72313268	5	NUT	DIN 934 M8-8A3L
17	72393671	2	BRACE --> 178/1995 <> <>	
	72310718	1	BUSH	
	72312479	2	UNIVERSAL SPOUT	
18	72378063	1	RELIEF VALVE	DIN71401-CM14X1,5KEG
19	72438345	1	HOSE CLIP	
20	72389310	1	HOSE	
21	72380200	1	FAN	455/7
22	72375067	4	LOCK SCREW	FWN 64993 M8X35-90
23	72399923	1	V BELT SHEAVE	
24			SEE ALTERNATOR ASSY	
25	72340133	1	CENTRIFUGAL PUMP --> 178/9000	
	72340135	1	REPAIR KIT --> 178/9000	
	72343555	1	CENTRIFUGAL PUMP <-- 178/9001	
	72343940	1	REPAIR KIT <-- 178/9001	
26	72315659	4	HEXAGONAL HEAD BOLT	DIN 933 M8X35-8.8
27	72315053	10	SPLIT WASHER	FWN 65208-8-A3L
28	72315654	6	HEXAGONAL HEAD BOLT	DIN 933 M8X28-8.8A3L
29	72328678	1	SEAL	
30	72330788	1	INTERMEDIATE PIECE <-- F162.204.610.010	
31			SEE CRANKCASE	
32	72393670	1	RUBBER ARCH	
33	72311167	2	HOSE CLIP	
34	72380193	1	THERMOSTAT	75GR+-2GR
35	72393666	1	RUBBER ARCH	

Item	Part Number	Qty	Description Comments	Technical Specification
36	72450416	1	HOSE 1X 50MM CUT TO LENGTH	L=120 DIN73411-35X
37	72311162	8	HOSE CLIP	
38	72329110	1	COOLING WATER SUPPLY LINE	
	72356040	1	RESISTOR CABLE	
	72316916	1	CABLE STRAP	FWN 66650 B175X4-SW
39	72329731	4	RUBBER ARCH	
40	72311167	8	HOSE CLIP	
41	72315802	1	SCREW NOT NEEDED WITH HEATING	DIN 7604 AM22X1,5-ST
42	72315101	1	SEALING WASHER NOT NEEDED WITH HEATING	DIN 7603 A22X27-CU
43	72355717	1	SUCTION LINE --> 178/0825	
	72356699	1	SUCTION LINE <-- 178/0826 --> 178/9000	
	72356702	1	SUCTION LINE <-- 178/9001	
44	72450416	1	HOSE 1X 110MM CUT TO LENGTH --> 178/1995	L=120 DIN73411-35X
	72450416	1	HOSE 1X 60MM CUT TO LENGTH <-- 178/1996 --> 178/9000	L=120 DIN73411-35X
	72395412	1	RUBBER ARCH <-- 178/9001	
45	72450416	1	HOSE 1X 60MM CUT TO LENGTH --> 178/9000	L=120 DIN73411-35X
	72393672	1	REDUCER <-- 178/9001	
46	72393669	1	BOLT NOT NEEDED WITH HEATING --> 178/0825	
47	72315165	1	CUTTING RING NOT NEEDED WITH HEATING --> 178/0825	DIN 3861-L18-ST-A3L
	72315101	1	SEALING WASHER NOT NEEDED WITH HEATING <-- 178/0826 --> 178/9000	DIN 7603 A22X27-CU
48	72313368	1	CONNECTING NUT --> 178/0825	DIN 3870 AL18-9S20K A3L
	72315802	1	SCREW NOT NEEDED WITH HEATING <-- 178/0826 --> 178/9000	DIN 7604 AM22X1,5-ST
	72404925	1	CAP NOT NEEDED WITH HEATING <-- 178/9001	
	72311166	1	HOSE CLIP NOT NEEDED WITH HEATING <-- 178/9001	
49	72337051	2	PIPE CLAMP	
50	72332467	2	PLATE LINK	
	72315629	2	HEXAGONAL HEAD BOLT	DIN 933 M6 X 12-8.8A3L
	72315052	2	SPLIT WASHER	FWN 65208-6-A3L
51	72315630	2	HEXAGONAL HEAD BOLT	DIN 933 M6X18-8.8A3L
52	72315052	2	SPLIT WASHER	FWN 65208-6-A3L

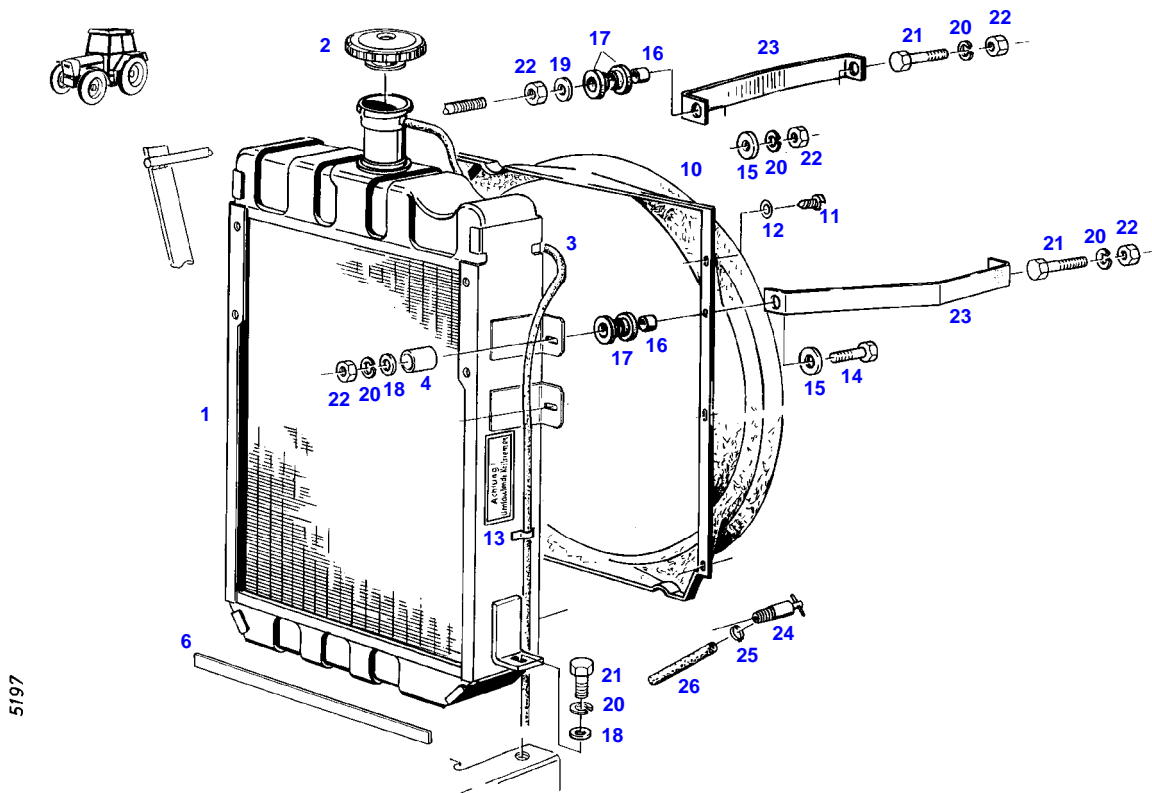
FARMER 308 (178/00001-12000)
2121



2121

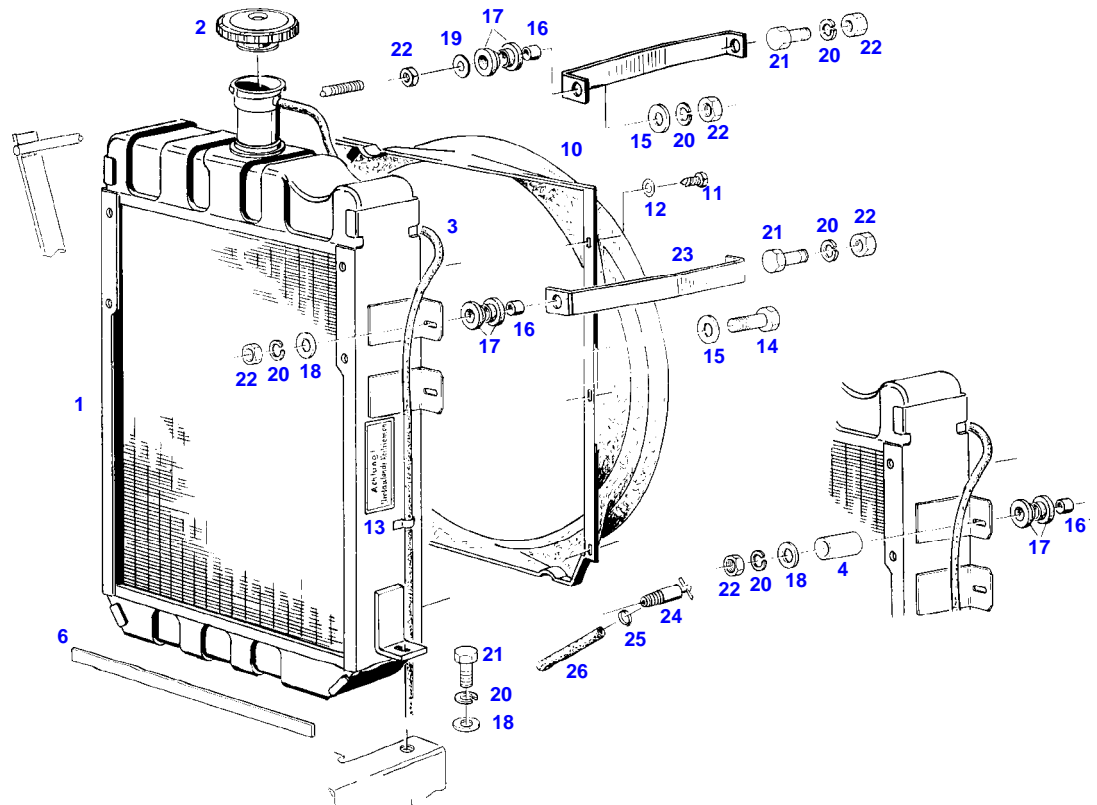
Item	Part Number	Qty	Description Comments	Technical Specification
			ITALY RANGE OF TEMPERATURE 2 <-- 178/0704 --> 178/10455	
1	72356697	1	OIL LINE	
2	72356698	1	OIL LINE	
3	72315808	2	BANJO BOLT	DIN 7643-10-3-A3L
4	72315094	4	SEALING WASHER	DIN 7603 A14X18-CU
5	72315633	2	HEXAGONAL HEAD BOLT	DIN 933 M6X25-8.8A3L
6	72395407	1	PLATE	
7	72311787	2	DISC	DIN 125-6,4-ST.A3L
8	72315052	2	SPLIT WASHER	FWN 65208-6-A3L
9	72313266	2	NUT	DIN 934 M6-8A3L
10	72313365	2	CONNECTING NUT	DIN3870 AL10/M16X1.5-9S20K A3L
11	72315162	2	CUTTING RING	DIN 3861-L10-ST-A3L
12	72356700	1	HOSE LINE	
13	72356701	1	HOSE LINE	
14	72395406	1	RETAINING BRACKET	
15	72311266	1	CLIP	
16	72393673	2	SCREW NECK --> 178/3157	
	72377920	2	NOZZLE <-- 178/3158	A LL15X22
17	72376031	2	SEALING WASHER	DIN 7603 A20X24-CU
18	72395405	1	INTERMEDIATE PIECE --> 178/3157	
19	72327148	2	MOLDED SEAL --> 178/3157	
20	72315554	1	HEXAGONAL HEAD BOLT	DIN 931 M10X65 GWA-10.9
	72374177	1	HEXAGONAL HEAD BOLT --> 178/3157	DIN 931 M10X45-8.8
	72315689	1	HEXAGONAL HEAD BOLT --> 178/3157	DIN 933 M10X35-8.8A3L
	72315685	1	HEXAGONAL HEAD BOLT --> 178/3157	DIN 933 M10X30-8.8A3L
	72315691	1	HEXAGONAL HEAD BOLT --> 178/3157	DIN 933 M10X40-8.8A3L
	72315691	2	HEXAGONAL HEAD BOLT <-- 178/3158	DIN 933 M10X40-8.8A3L
	72313776	1	STUD BOLT <-- 178/3158	DIN 939 M10X25-8.8
	72317122	5	SPRING WASHER	DIN 137 B10-MECH.VZK

FARMER 308 (178/00001-12000)
5197



Item	Part Number	Qty	Description Comments	Technical Specification
			RANGE OF TEMPERATURE 1+1 WITH AIR BRAKE SUPPLY EQUIPEMENT RANGE OF TEMPERATURE 2+2 WITH AIR BRAKE SUPPLY EQUIPEMENT <-- 178/10456	
1	72348099	1	RADIATOR ><1-3	
2	72478248	1	COLLER LOCKING	
3	72436028	1	HOSE	L=1500FWN65912-10X2-PVC-W-G
4			NOT USED	
6			NO SPARE PART	
10	72393668	1	FAN COVER	
11	72315818	4	SCREW	DIN7976-ST4,2X25-C-A3L
	72315787	2	SCREW	DIN 7981 B4,2X16-A3L
12	72311817	6	DISC	DIN9021-4,3-140HV-A3L
13	72379109	2	MARKING PLATE	FWN66556-35X68-SCHUTZVORR.N.OE
14	72315660	1	HEXAGONAL HEAD BOLT	DIN 933 M8X35-8.8A3L
15	72311888	2	DISC	
16	72310718	2	BUSH	
17	72312479	4	UNIVERSAL SPOUT	
18	72311788	3	DISC	DIN 125-8,4-ST.A3L
19	72311788	1	DISC	DIN 125-8,4-ST.A3L
20	72315053	6	SPLIT WASHER	FWN 65208-8-A3L
21	72315650	4	HEXAGONAL HEAD BOLT	DIN 933 M8 X 20-8.8A3L
22	72313268	5	NUT	DIN 934 M8-8A3L
23	72393671	2	BRACE	
24	72378063	1	RELIEF VALVE	DIN71401-CM14X1,5KEG
25	72438345	1	HOSE CLIP	
26	72389310	1	HOSE	

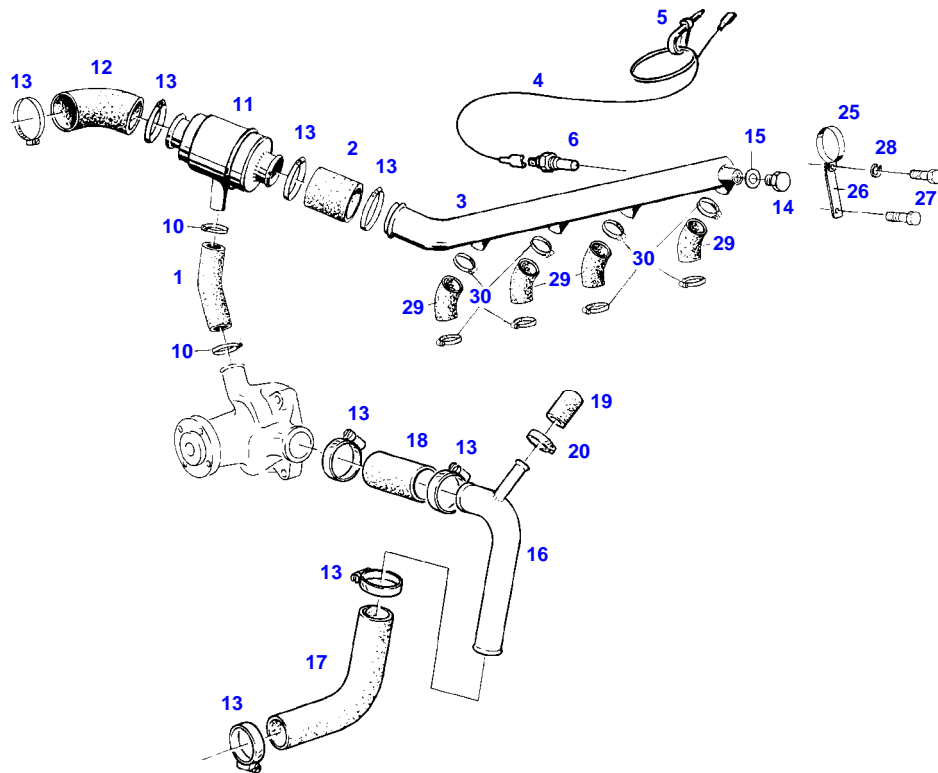
FARMER 308 (178/00001-12000)
4259



4259

Item	Part Number	Qty	Description Comments	Technical Specification
			RANGE OF TEMPERATURE 1+2 WITH AIR CONDITION <-- 178/10456	
1	72348191	1	RADIATOR ><1-3	
2	72478248	1	COLLER LOCKING	
3	72436028	1	HOSE	L=1500FWN65912-10X2-PVC-W-G
4	72400314	2	BUSH	
5	72315669	1	HEXAGONAL HEAD BOLT	DIN 933 M8X55-8.8A3L
6				
			NO SPARE PART	
10	72393668	1	FAN COVER	
11	72315818	4	SCREW	DIN7976-ST4,2X25-C-A3L
	72315787	2	SCREW	DIN 7981 B4,2X16-A3L
12	72311817	6	DISC	DIN9021-4,3-140HV-A3L
13	72379109	2	MARKING PLATE	FWN66556-35X68-SCHUTZVORR.N.OE
14	72315669	1	HEXAGONAL HEAD BOLT	DIN 933 M8X55-8.8A3L
15	72311888	2	DISC	
16	72310718	2	BUSH	
17	72312479	4	UNIVERSAL SPOUT	
18	72311788	3	DISC	DIN 125-8,4-ST.A3L
19	72311788	1	DISC	DIN 125-8,4-ST.A3L
20	72315053	6	SPLIT WASHER	FWN 65208-8-A3L
21	72315650	4	HEXAGONAL HEAD BOLT	DIN 933 M8 X 20-8.8A3L
22	72313268	5	NUT	DIN 934 M8-8A3L
23	72393671	2	BRACE	
24	72378063	1	RELIEF VALVE	DIN71401-CM14X1,5KEG
25	72438345	1	HOSE CLIP	
26	72389310	1	HOSE	

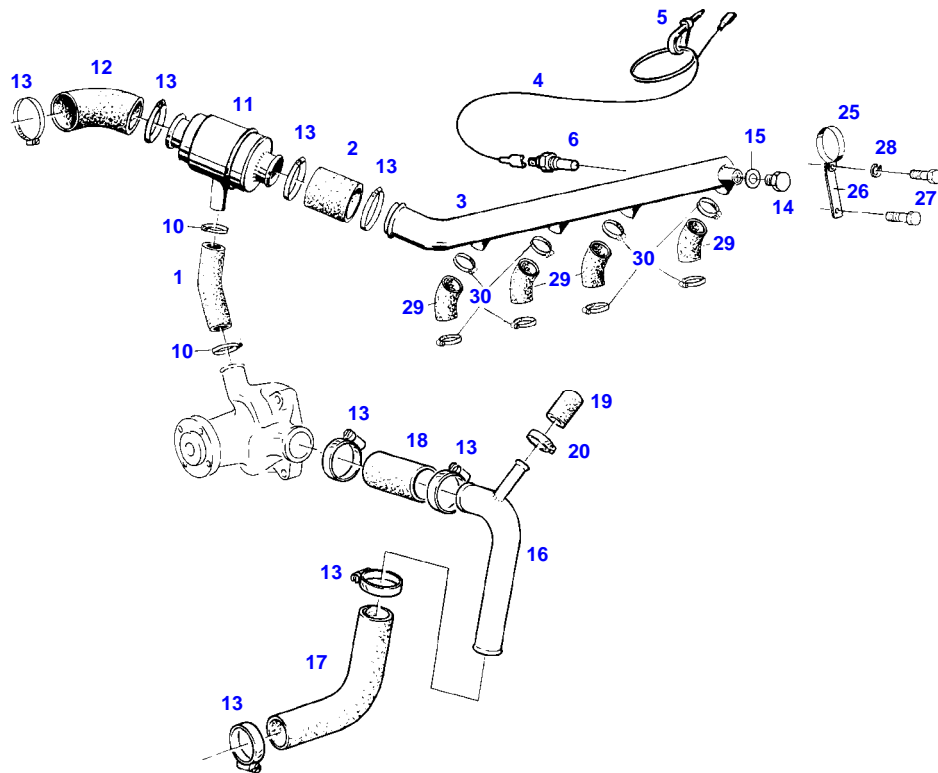
FARMER 308 (178/00001-12000)
4261



4261

Item	Part Number	Qty	Description Comments	Technical Specification
			RANGE OF TEMPERATURE 1+1 WITH AIR BRAKE SUPPLY EQUIPEMENT <-- 178/10456	
1	72393670	1	RUBBER ARCH	
2	72450416	1	HOSE 1X 45MM CUT TO LENGTH	L=120 DIN73411-35X
3	72329110	1	COOLING WATER SUPPLY LINE	
4			NOT USED	
5			NOT USED	
6			SEE LIGHTS AND HORN	
10	72311167	2	HOSE CLIP	
11	72380193	1	THERMOSTAT	75GR+-2GR
12	72393666	1	RUBBER ARCH	
13	72311162	8	HOSE CLIP	
14	72315802	1	SCREW	DIN 7604 AM22X1,5-ST
15	72315101	1	SEALING WASHER	DIN 7603 A22X27-CU
16	72356702	1	SUCTION LINE	
17	72395412	1	RUBBER ARCH	
18	72393672	1	REDUCER	
19	72404925	1	CAP	
20	72311167	1	HOSE CLIP	
25	72337051	2	PIPE CLAMP	
26	72332467	2	PLATE LINK	
27	72315630	2	HEXAGONAL HEAD BOLT	DIN 933 M6X18-8.8A3L
28	72315052	2	SPLIT WASHER	FWN 65208-6-A3L
29	72329731	4	RUBBER ARCH	
30	72311167	8	HOSE CLIP	

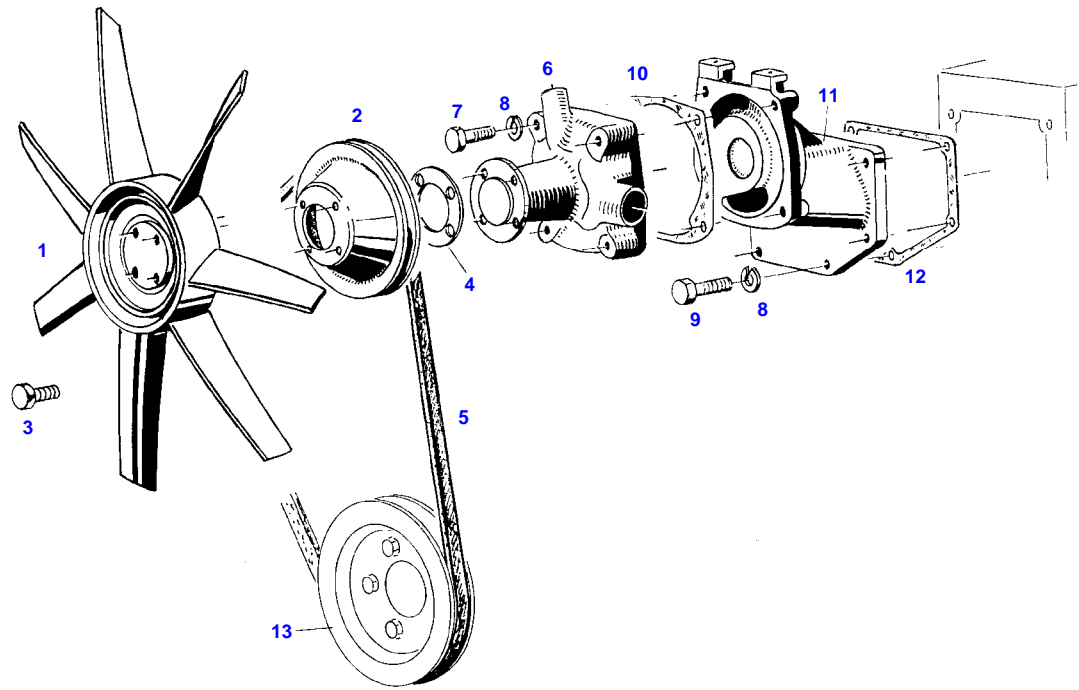
FARMER 308 (178/00001-12000)
4261



4261

Item	Part Number	Qty	Description Comments	Technical Specification
			RANGE OF TEMPERATURE 2+2 WITH AIR BRAKE SUPPLY EQUIPEMENT RANGE OF TEMPERATURE 1+2 WITH AIR CONDITION <-- 178/10456	
1	72392140	1	RUBBER ARCH	
2	72436027	1	HOSE 1X 120MM	L=320 DIN73411-25X3,5 R
3	72332460	1	COOLING WATER SUPPLY LINE	
4	72356040	1	RESISTOR CABLE	
5	72316916	1	CABLE STRAP	FWN 66650 B175X4-SW
6				
			SEE LIGHTS AND HORN	
10	72311167	2	HOSE CLIP	
11	72380193	1	THERMOSTAT	75GR+-2GR
12	72393666	1	RUBBER ARCH	
13	72311162	8	HOSE CLIP	
14	72315802	1	SCREW	DIN 7604 AM22X1,5-ST
15	72315101	1	SEALING WASHER	DIN 7603 A22X27-CU
16	72356702	1	SUCTION LINE	
17	72395412	1	RUBBER ARCH	
18	72393672	1	REDUCER	
19	72404925	1	CAP	
20	72311167	1	HOSE CLIP	
25	72337051	2	PIPE CLAMP	
26	72332467	2	PLATE LINK	
27	72315630	2	HEXAGONAL HEAD BOLT	DIN 933 M6X18-8.8A3L
28	72315052	2	SPLIT WASHER	FWN 65208-6-A3L
29	72329731	4	RUBBER ARCH	
30	72311167	8	HOSE CLIP	

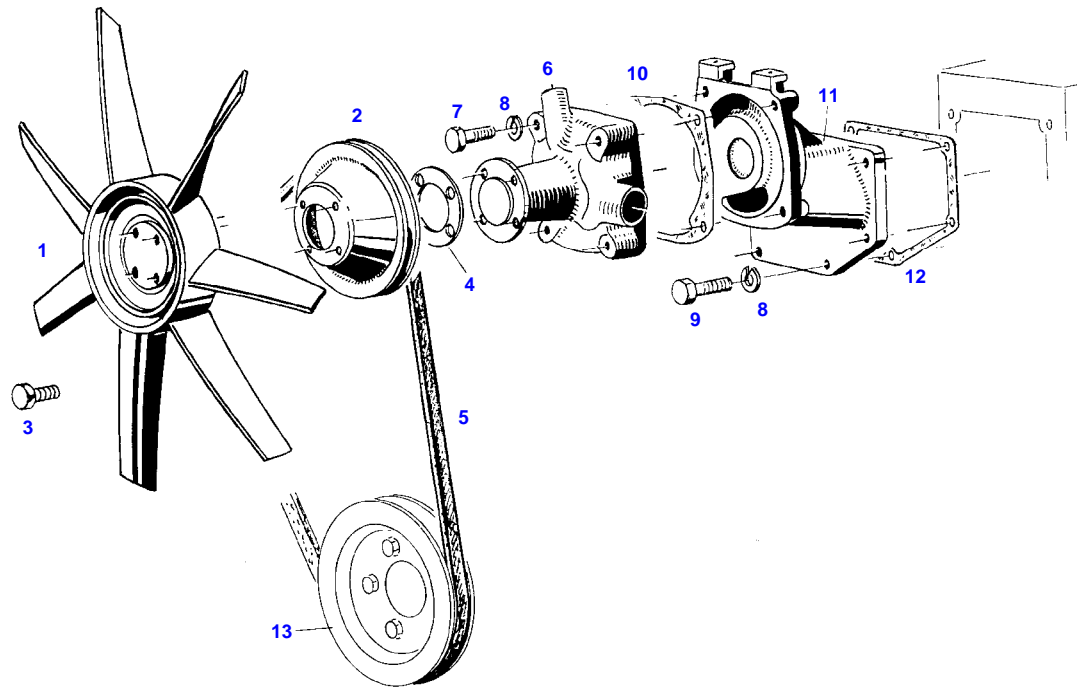
FARMER 308 (178/00001-12000)
4267



4267

Item	Part Number	Qty	Description Comments	Technical Specification
RANGE OF TEMPERATURE 1				
1	72331298	1	FAN	
2	72327206	1	V BELT SHEAVE	
3	72375063	4	LOCK SCREW	FWN 64993 M8X22-12.9
4	72394835	1	DISC	
5				
			SEE ALTERNATOR ASSY	
6	72340133	1	CENTRIFUGAL PUMP	
	72343555	1	CENTRIFUGAL PUMP <-- 178/10456	
	72340135	1	REPAIR KIT <-- F281.200.610.010	
	72343940	1	REPAIR KIT <-- 178/10456	
7	72315659	4	HEXAGONAL HEAD BOLT	DIN 933 M8X35-8.8
8	72315053	10	SPLIT WASHER	FWN 65208-8-A3L
9	72315654	6	HEXAGONAL HEAD BOLT	DIN 933 M8X28-8.8A3L
10	72328678	1	SEAL	
11	72330788	1	INTERMEDIATE PIECE <-- F162.204.610.010	
12			SEE CRANKCASE	
13			SEE CRANKSHAFT	

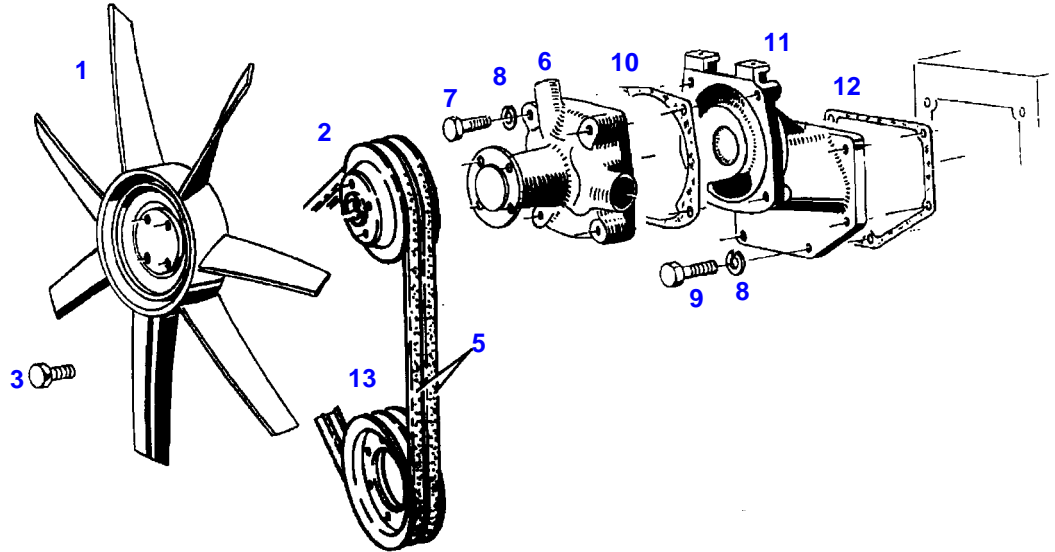
FARMER 308 (178/00001-12000)
4267



4267

Item	Part Number	Qty	Description Comments	Technical Specification
RANGE OF TEMPERATURE 2				
1	72380200	1	FAN	455/7
2	72399923	1	V BELT SHEAVE	
3	72375067	4	LOCK SCREW	FWN 64993 M8X35-90
4				
5			NOT USED	
6	72340133	1	SEE ALTERNATOR ASSY CENTRIFUGAL PUMP --> 178/10455	
	72343555	1	CENTRIFUGAL PUMP <-- 178/10456	
	72340135	1	REPAIR KIT --> 178/10455	
	72343940	1	<-- F281.200.610.010 REPAIR KIT <-- 178/10456	
7	72315659	4	HEXAGONAL HEAD BOLT	DIN 933 M8X35-8.8
8	72315053	10	SPLIT WASHER	FWN 65208-8-A3L
9	72315654	6	HEXAGONAL HEAD BOLT	DIN 933 M8X28-8.8A3L
10	72328678	1	SEAL	
11	72330788	1	INTERMEDIATE PIECE <-- F162.204.610.010	
12			SEE CRANKCASE	
13			SEE CRANKSHAFT	

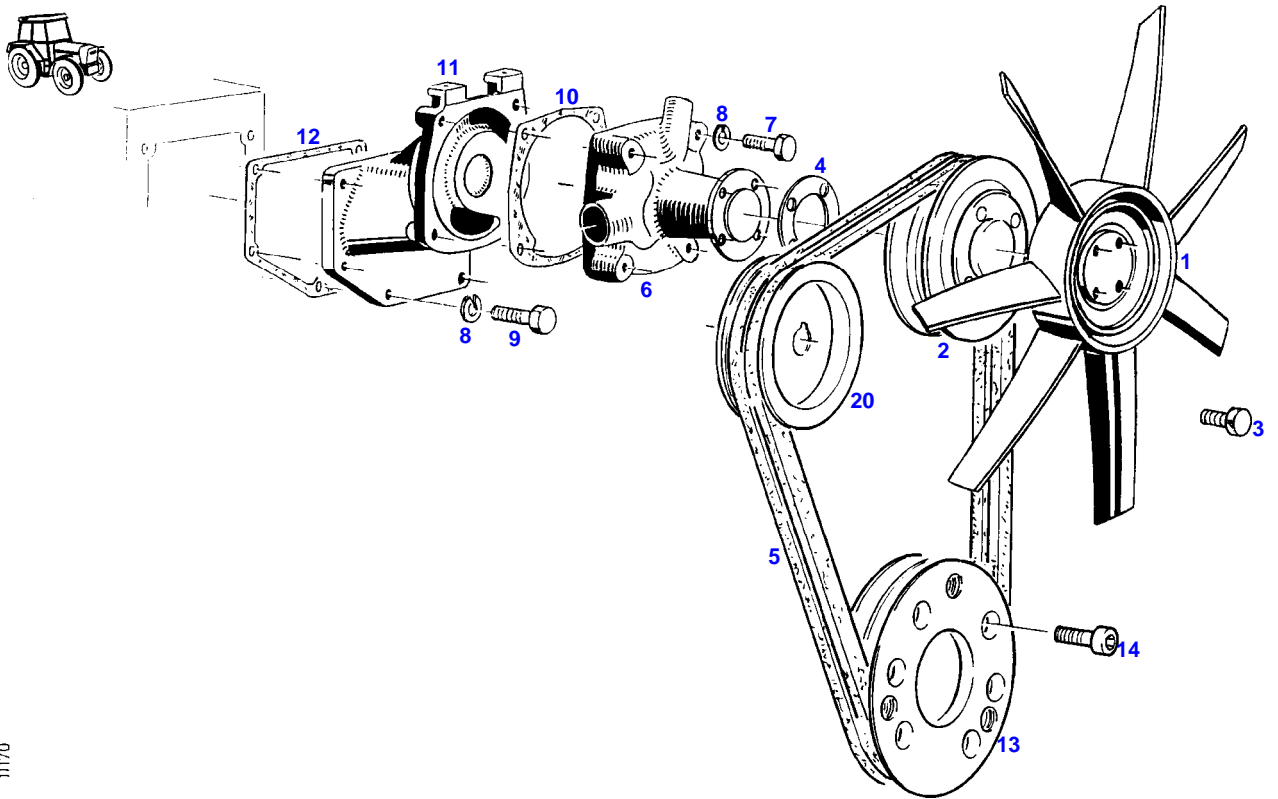
FARMER 308 (178/00001-12000)
11160



01160

Item	Part Number	Qty	Description Comments	Technical Specification
AIR BRAKIN SYSTEM				
1	72331298	1	FAN	
2	72393674	1	V BELT SHEAVE	
3	72375066	4	LOCK SCREW	FWN 64993-M8X30-90
5			SEE COMPRESSOR INSTALLAT	
6	72340133	1	CENTRIFUGAL PUMP --> 178/10455	
	72343555	1	CENTRIFUGAL PUMP <-- 178/10456	
	72340135	1	REPAIR KIT --> 178/10455 <-- F281.200.610.010	
	72343940	1	REPAIR KIT <-- 178/10456	
7	72315659	4	HEXAGONAL HEAD BOLT	DIN 933 M8X35-8.8
8	72315053	10	SPLIT WASHER	FWN 65208-8-A3L
9	72315654	6	HEXAGONAL HEAD BOLT	DIN 933 M8X28-8.8A3L
10	72328678	1	SEAL	
11	72330788	1	INTERMEDIATE PIECE <-- F162.204.610.010	
12			SEE CRANKCASE	
13			SEE COMPRESSOR INSTALLAT	

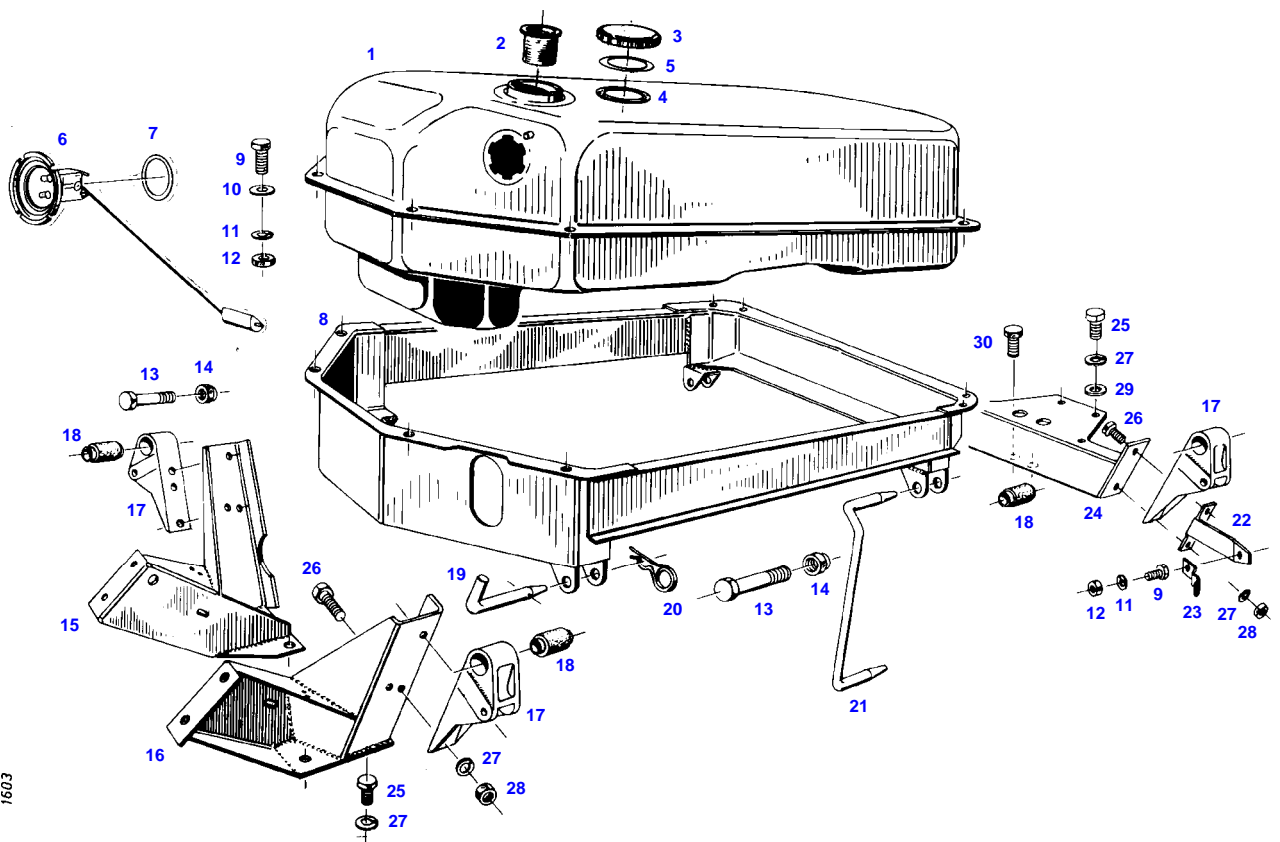
FARMER 308 (178/00001-12000)
11170



11170

Item	Part Number	Qty	Description Comments	Technical Specification
			AIR CONDITION <-- 178/9001	
1	72331298	1	FAN RANGE OF TEMPERATURE 1	
	72380200	1	FAN RANGE OF TEMPERATURE 2	455/7
2	72396003	1	V BELT SHEAVE	
3	72375063	4	LOCK SCREW RANGE OF TEMPERATURE 1	FWN 64993 M8X22-12.9
	72375067	4	LOCK SCREW RANGE OF TEMPERATURE 2	FWN 64993 M8X35-90
4	72394835	1	DISC RANGE OF TEMPERATURE 1	
5	72379399	1	V-BELT SET (2 PIECE)	FWN66966-2XAVX10X1215LA
6	72340133	1	CENTRIFUGAL PUMP	
	72343555	1	CENTRIFUGAL PUMP <-- 178/10456	
	72340135	1	REPAIR KIT <-- F281.200.610.010	
	72343940	1	REPAIR KIT <-- 178/10456	
7	72315659	4	HEXAGONAL HEAD BOLT	DIN 933 M8X35-8.8
8	72315053	10	SPLIT WASHER	FWN 65208-8-A3L
9	72315654	6	HEXAGONAL HEAD BOLT	DIN 933 M8X28-8.8A3L
10	72328678	1	SEAL	
11	72330788	1	INTERMEDIATE PIECE <-- F162.204.610.010	
	72332585	1	INTERMEDIATE PIECE <-- 178/10456	
12			SEE CRANKCASE	
13	72396002	1	V BELT SHEAVE	
14	72315498	6	SOCKET HEAD BOLT	DIN 912 M10X40-8.8 OB1-SW
20			SEE ALTERNATOR ASSY	

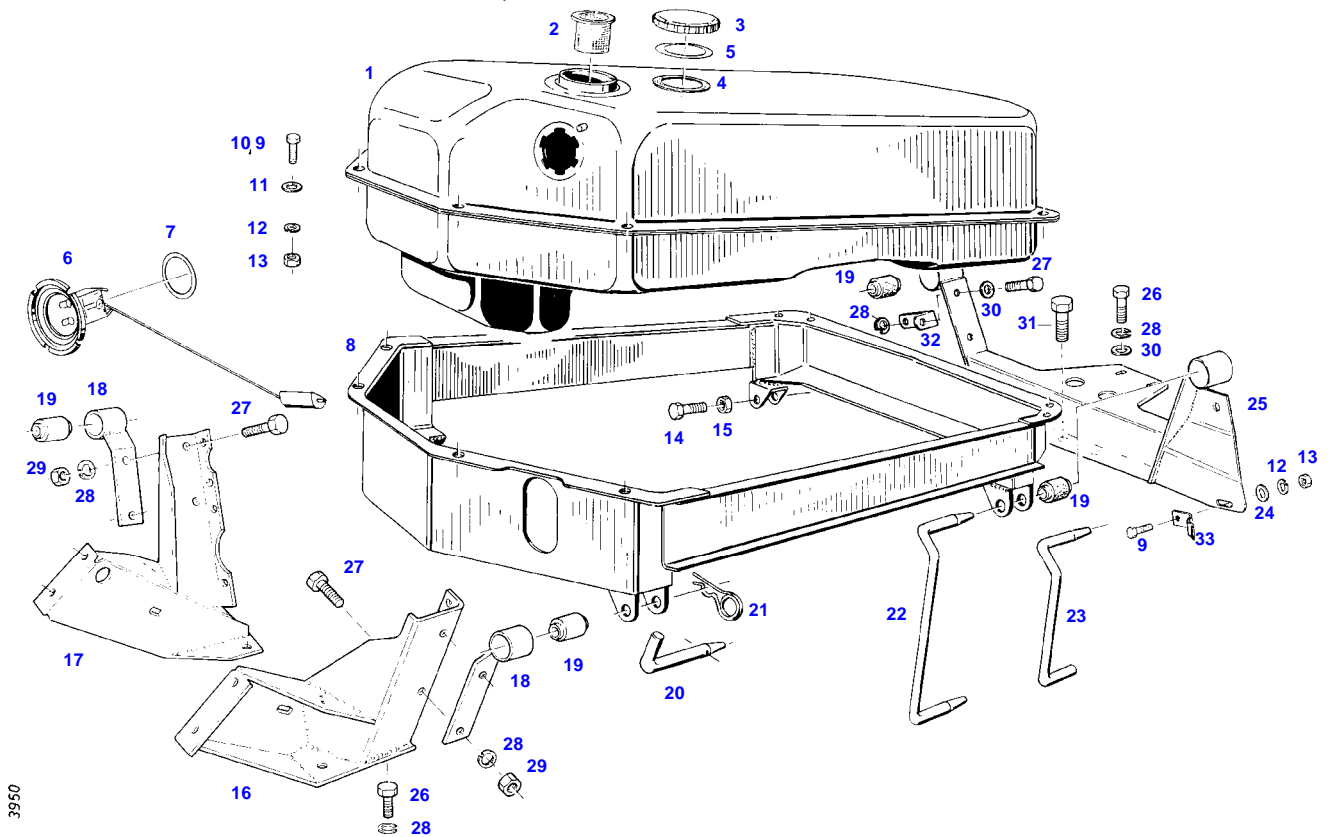
FARMER 308 (178/00001-12000)
1603



1603

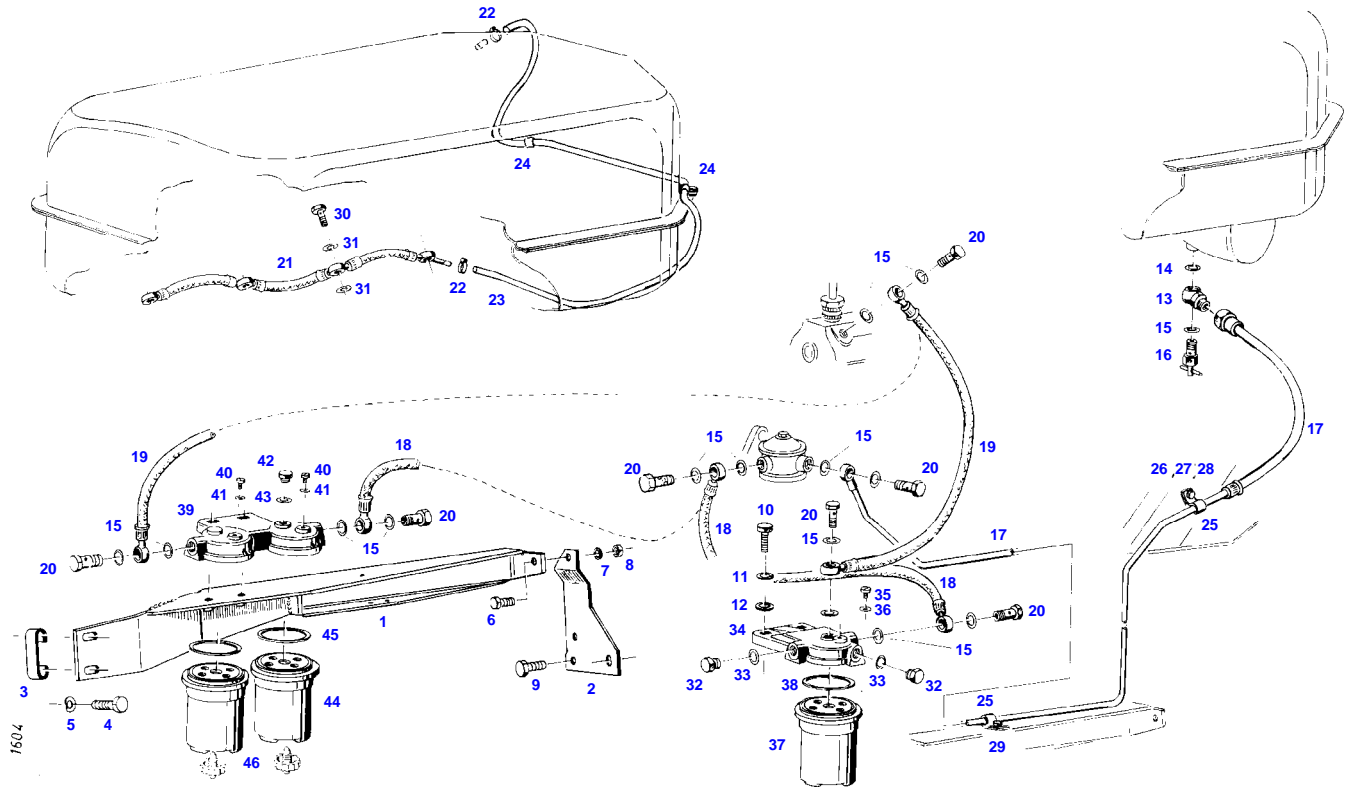
Item	Part Number	Qty	Description Comments	Technical Specification
			--> 178/5955	
1	72349985	1	FUEL TANK ><3 <>	
	72409022	2	FLANGE	
	72376132	2	SEALING WASHER	
	72376018	10	SEALING WASHER	DIN 7603 A5X9-VF
	72315619	10	HEXAGONAL HEAD BOLT	DIN 933 M5X16-8.8A3L
	72348556	1	FUEL LEVEL SENSOR	
	72376017	2	SEALING WASHER	DIN 7603-A5X7,5-CU
2	72380019	1	STRAINER 49MM	
	72433112	1	STRAINER 99MM	60X100-MS
3	72348405	1	FUEL CAP ><4-5 BLAU	
	72348297	1	<-- X810.110.050 1X FUEL CAP ><4-5 LOCKABLE BLAU	
4	72312304	1	RUBBER SEAL KOEHLER	
	72330725	1	SEAL BLAU	
5	72330726	1	SEAL BLAU	
6	72613041	1	FUEL LEVEL SENSOR ><6-7	
7	72315169	1	SEALING WASHER	
8	72357106	1	TANK FRAME	
9	72315626	9	HEXAGONAL HEAD BOLT	DIN 933-M6 X 16-8.8-A3L
	72315631	2	HEXAGONAL HEAD BOLT	DIN 933 M6 X 20-8.8A3L
10	72311822	16	DISC	DIN9021-6,4-140HV-A3L
11	72315052	9	SPLIT WASHER	FWN 65208-6-A3L
12	72313266	9	NUT	DIN 934 M6-8A3L
13	72315719	2	HEXAGONAL HEAD BOLT	DIN 933 M12X60-8.8A3L
14	72313325	2	NUT	DIN 980-VM12-8-A3L
15	72355440	1	BRACKET	
16	72355441	1	BRACKET	
17	72356758	4	SUPPORT ARM <>	
	72315653	1	HEXAGONAL HEAD BOLT	DIN 933 M8 X 25-8.8A3L
	72313268	1	NUT	DIN 934 M8-8A3L
	72311788	1	DISC	DIN 125-8,4-ST.A3L
	72393683	1	ANGLE	
18	72310644	4	RUBBER BUSHING	
19	72407288	1	BEARING PIN	
20	72311183	1	HAIR COTTER PIN	DIN 11024-4-A3L
21	72393676	1	BEARING PIN	
	72393681	1	BEARING PIN WITH FRONTLOADER	
22	72393677	1	RETAINING BRACKET	
23	72393680	1	LEAF SPRING	
24	72355727	1	CROSSMEMBER	
25	72315642	8	HEXAGONAL HEAD BOLT	DIN 933 M8 X 16-8.8A3L
26	72315653	8	HEXAGONAL HEAD BOLT	DIN 933 M8 X 25-8.8A3L
27	72315053	16	SPLIT WASHER	FWN 65208-8-A3L
28	72313268	8	NUT	DIN 934 M8-8A3L
29	72311788	2	DISC	DIN 125-8,4-ST.A3L
30	72315675	2	HEXAGONAL HEAD BOLT	DIN 933 M10X16-8.8A3L

FARMER 308 (178/00001-12000)
3950



Item	Part Number	Qty	Description Comments	Technical Specification
			<-- 178/5956	
1	72349985	1	FUEL TANK	
			<>	
	72376132	2	SEALING WASHER	
	72315619	10	HEXAGONAL HEAD BOLT	DIN 933 M5X16-8.8A3L
	72376017	2	SEALING WASHER	DIN 7603-A5X7,5-CU
	72409022	2	FLANGE	
	72376018	10	SEALING WASHER	DIN 7603 A5X9-VF
	72348556	1	FUEL LEVEL SENSOR	
2	72433112	1	STRAINER	60X100-MS
3	72380143	1	FUEL CAP KOEHLER	M.BELUEF
			><4	
	72348297	1	FUEL CAP LOCKABLE BLAU	
			><4-5	
4	72312304	1	RUBBER SEAL KOEHLER	
	72330725	1	SEAL BLAU	
5	72330726	1	SEAL	
6	72613041	1	FUEL LEVEL SENSOR	
			><6-7	
7	72315169	1	SEALING WASHER	
8	72357106	1	TANK FRAME	
9	72315626	8	HEXAGONAL HEAD BOLT	DIN 933-M6 X 16-8.8-A3L
	72315631	2	HEXAGONAL HEAD BOLT	DIN 933 M6 X 20-8.8A3L
11	72311822	16	DISC	DIN9021-6,4-140HV-A3L
12	72315052	10	SPLIT WASHER	FWN 65208-6-A3L
13	72313266	10	NUT	DIN 934 M6-8A3L
14	72315719	2	HEXAGONAL HEAD BOLT	DIN 933 M12X60-8.8A3L
15	72313325	2	NUT	DIN 980-VM12-8-A3L
16	72355440	1	BRACKET	
17	72355441	1	BRACKET	
18	72356758	2	SUPPORT ARM	
19	72310644	4	RUBBER BUSHING	
20	72404932	1	BEARING PIN	
21	72311183	1	HAIR COTTER PIN	DIN 11024-4-A3L
22	72393676	1	BEARING PIN	
23	72393681	1	BEARING PIN WITH FRONTLOADER	
24	72311787	1	DISC	DIN 125-6,4-ST.A3L
25	72355727	1	CROSSMEMBER	
26	72315642	9	HEXAGONAL HEAD BOLT	DIN 933 M8 X 16-8.8A3L
27	72315653	5	HEXAGONAL HEAD BOLT	DIN 933 M8 X 25-8.8A3L
28	72315053	14	SPLIT WASHER	FWN 65208-8-A3L
29	72313268	5	NUT	DIN 934 M8-8A3L
30	72311788	3	DISC	DIN 125-8,4-ST.A3L
31	72315675	2	HEXAGONAL HEAD BOLT	DIN 933 M10X16-8.8A3L
32	72393683	1	ANGLE	
33	72393680	1	LEAF SPRING	

FARMER 308 (178/00001-12000)
1604



Item	Part Number	Qty	Description Comments	Technical Specification
			--> 178/9000	
1	72356706	1	RETAINER --> 178/0050 <> HYDR.CIRCUIT 1 HYDR.CIRCUIT 2 <>	
	72394404	1	BOOST PIPE	
	72394376	1	BOOST PIPE	
	72394405	1	BOOST PIPE	
2	72393679	1	RETAINING SHEET METAL	
3	72399913	1	HOLDER	
4	72315689	1	HEXAGONAL HEAD BOLT	DIN 933 M10X35-8.8A3L
	72315691	1	HEXAGONAL HEAD BOLT	DIN 933 M10X40-8.8A3L
5	72317122	2	SPRING WASHER	DIN 137 B10-MECH.VZK
6	72315642	1	HEXAGONAL HEAD BOLT	DIN 933 M8 X 16-8.8A3L
7	72315053	1	SPLIT WASHER	FWN 65208-8-A3L
8	72313268	1	NUT	DIN 934 M8-8A3L
9	72374490	2	HEXAGONAL HEAD BOLT	DIN 933 M14X20-8.8
10	72315689	2	HEXAGONAL HEAD BOLT	DIN 933 M10X35-8.8A3L
11	72315054	2	SPLIT WASHER	FWN 65208-10-A3L
12	72311789	2	DISC	DIN 125-10,5-ST.A3L
13	72316302	1	NOZZLE --> 178/3157	LL10 DIN7641/12.69 A3L
14	72315093	1	SEALING WASHER	DIN 7603 A12X18-CU
15	72315095	11	SEALING WASHER	DIN 7603 A14X20-CU
16	72380159	1	FUEL SHUT-OFF VALVE	
17	72348543	1	TUBING --> 178/3157 <> <>	
	72311241	2	PIPE CLAMP	
18	72365147	1	FUEL LINE	
19	72355537	1	FUEL LINE	
20	72315808	2	BANJO BOLT	DIN 7643-10-3-A3L
21	72339360	1	LEAKAGE OIL LINE	
22	72438345	2	HOSE CLIP	
23	72435830	1	PRESSURE HOSE 1150 MM CUT TO LENGTH	L=2100
24	72398941	2	FASTENING COLLAR	
25	72373547	2	PIPE CLAMP --> 178/3157	
	72311241	2	PIPE CLAMP <-- 178/3158	
26	72315626	1	HEXAGONAL HEAD BOLT	DIN 933-M6 X 16-8.8-A3L
27	72315052	1	SPLIT WASHER	FWN 65208-6-A3L
	72311787	1	DISC	DIN 125-6,4-ST.A3L
28	72313266	1	NUT	DIN 934 M6-8A3L
29	72315626	1	HEXAGONAL HEAD BOLT	DIN 933-M6 X 16-8.8-A3L
	72313266	1	NUT	DIN 934 M6-8A3L
	72315052	1	SPLIT WASHER	FWN 65208-6-A3L
30	72315809	4	BANJO BOLT	DIN 7643-4-5-A3L
31	72315086	8	SEALING WASHER	DIN 7603 A8X11,5-CU
32	72315799	2	PLUG	DIN 7604 AM14X1,5-A3L
33	72315095	2	SEALING WASHER	DIN 7603 A14X20-CU
34			SEE FUEL FILTER	
35			SEE FUEL FILTER	
36			SEE FUEL FILTER	
37			SEE FUEL FILTER	
38			SEE FUEL FILTER	

Fendt

FARMER 308 (178/00001-12000)

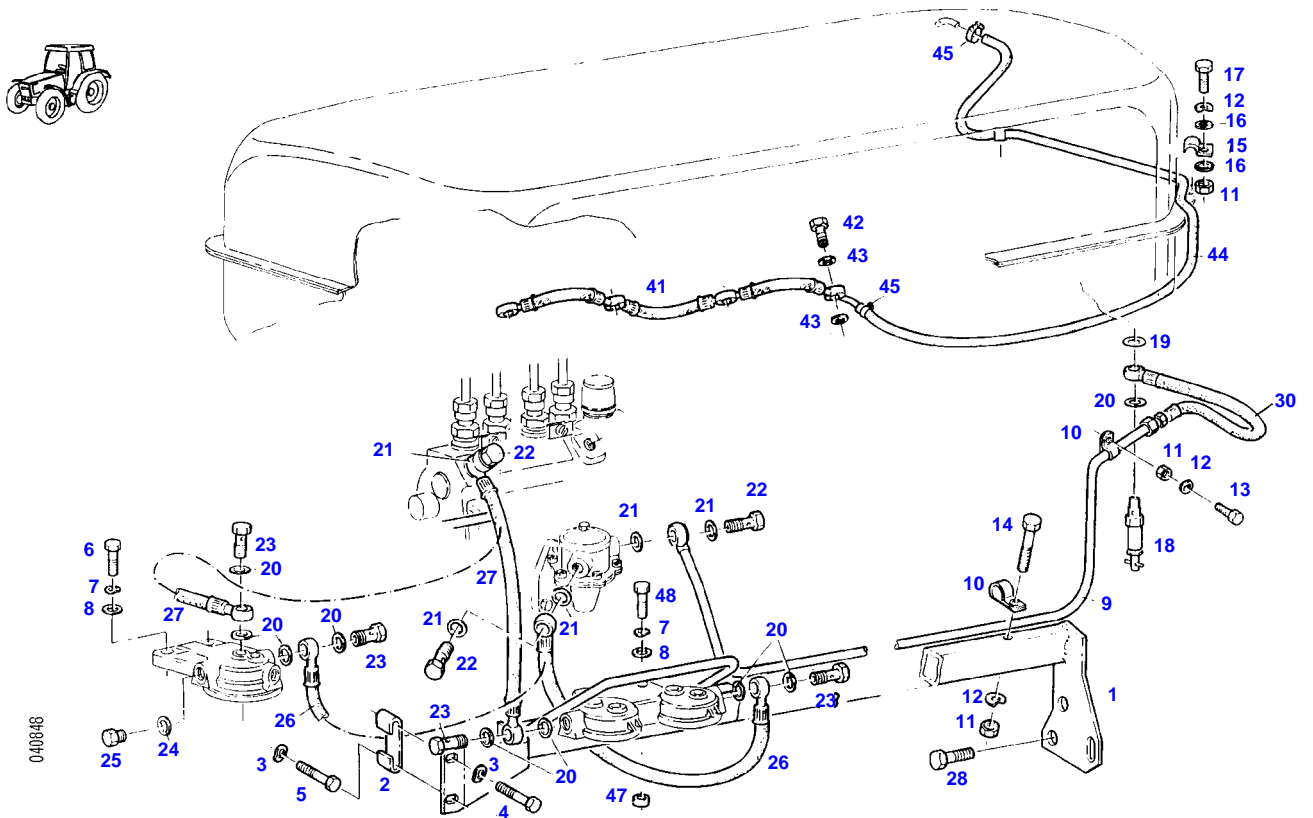
F178000

FUEL LINES

Page01-0019

Item	Part Number	Qty	Description Comments	Technical Specification
39			SEE FUEL FILTER	
40			SEE FUEL FILTER	
41			SEE FUEL FILTER	
42			SEE FUEL FILTER	
43			SEE FUEL FILTER	
44			SEE FUEL FILTER	
45			SEE FUEL FILTER	
46	72380174	1	SEE FUEL FILTER SCREW	

FARMER 308 (178/00001-12000)
40848



040848

Item	Part Number	Qty	Description Comments	Technical Specification
			<-- 178/9001	
1	72356743	1	RETAINER	
2	72399913	1	HOLDER	
3	72317122	2	SPRING WASHER	DIN 137 B10-MECH.VZK
4	72315689	1	HEXAGONAL HEAD BOLT	DIN 933 M10X35-8.8A3L
5	72315691	1	HEXAGONAL HEAD BOLT	DIN 933 M10X40-8.8A3L
6	72315657	2	HEXAGONAL HEAD BOLT	DIN 933 M8 X 30-8.8A3L
7	72315053	2	SPLIT WASHER	FWN 65208-8-A3L
8	72311824	2	DISC	DIN9021-8,4-140HV-A3L
9	72356707	1	TUBING	
10	72311241	2	PIPE CLAMP	
11	72313266	3	NUT	DIN 934 M6-8A3L
12	72315052	3	SPLIT WASHER	FWN 65208-6-A3L
13	72315626	1	HEXAGONAL HEAD BOLT	DIN 933-M6 X 16-8.8-A3L
	72311787	1	DISC	DIN 125-6,4-ST.A3L
			NOT ILLUSTRATED	
14	72315637	1	HEXAGONAL HEAD BOLT	DIN 933 M6X45-8.8A3L
15	72398941	2	FASTENING COLLAR	
16	72311822	4	DISC	DIN9021-6,4-140HV-A3L
17	72315631	2	HEXAGONAL HEAD BOLT	DIN 933 M6 X 20-8.8A3L
18	72380159	1	FUEL SHUT-OFF VALVE	
19	72315093	1	SEALING WASHER	DIN 7603 A12X18-CU
20	72315095	5	SEALING WASHER	DIN 7603 A14X20-CU
21	72315095	6	SEALING WASHER	DIN 7603 A14X20-CU
22	72315808	3	BANJO BOLT	DIN 7643-10-3-A3L
23	72315808	2	BANJO BOLT	DIN 7643-10-3-A3L
24	72315095	2	SEALING WASHER	DIN 7603 A14X20-CU
25	72315799	2	PLUG	DIN 7604 AM14X1,5-A3L
26	72356760	1	FUEL LINE	
27	72355537	1	FUEL LINE	
28	72374490	2	HEXAGONAL HEAD BOLT	DIN 933 M14X20-8.8
	72374493	2	HEXAGONAL HEAD BOLT	DIN 933 M14X30-8.8
30	72357312	1	HOSE LINE	
41	72339360	1	LEAKAGE OIL LINE	
42	72315809	4	BANJO BOLT	DIN 7643-4-5-A3L
43	72315086	8	SEALING WASHER	DIN 7603 A8X11,5-CU
44	72378086	1	PRESSURE HOSE	FWN 66041-P4
45	72438345	2	HOSE CLIP	
47	72311848	2	DISC	
48	72315660	2	HEXAGONAL HEAD BOLT	DIN 933 M8X35-8.8A3L

Thank you so much for reading.
Please click the “Buy Now!”
button below to download the
complete manual.



After you pay.

You can download the most
perfect and complete manual in
the world immediately.

Our support email:

ebooklibonline@outlook.com