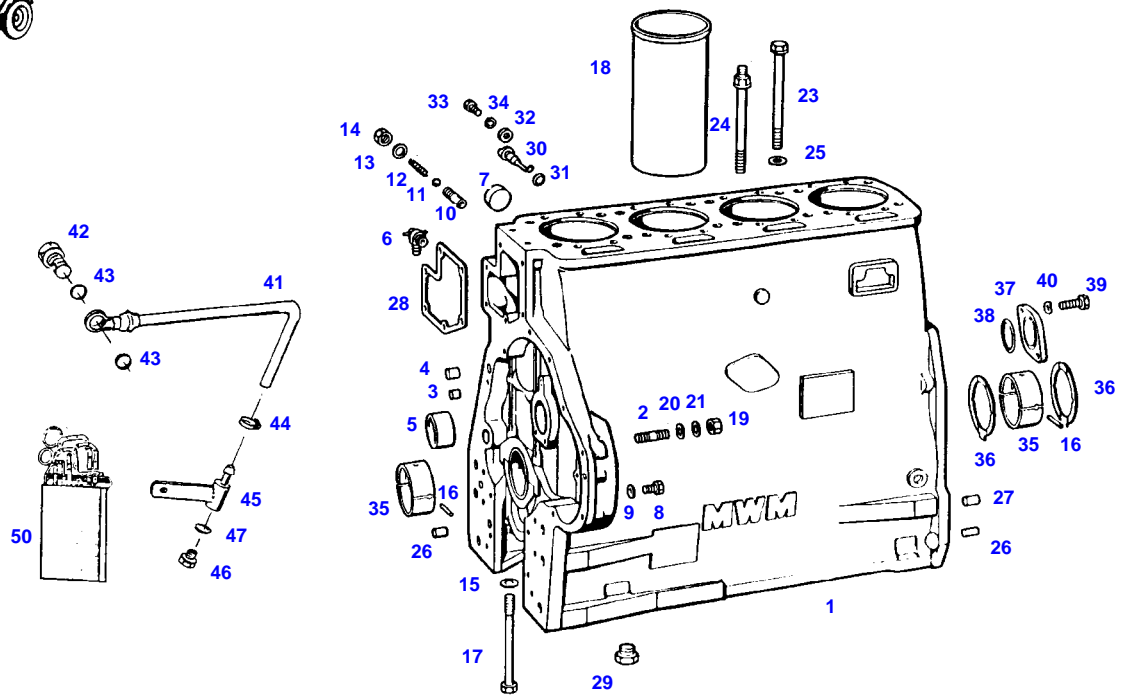


Page Number	Page Title	Page Reference
01-000-TOC	ENGINE, FUEL AND EXHAUST SYSTEM	01-000-TOC
02-000-TOC	AXLES	02-000-TOC
03-000-TOC	STEERING SYSTEM	03-000-TOC
04-000-TOC	DRIVE TRAIN SYSTEM	04-000-TOC
05-000-TOC	COMPRESSED AIR SYSTEM	05-000-TOC
06-000-TOC	HYDRAULIC SYSTEM	06-000-TOC
07-000-TOC	ELECTRICAL SYSTEM	07-000-TOC
08-000-TOC	CAB	08-000-TOC
09-000-TOC	AIR CONDITIONING AND HEATING SYSTEM	09-000-TOC
10-000-TOC	CHASSIS	10-000-TOC
11-000-TOC	WHEELS	11-000-TOC
12-000-TOC	IMPLEMENT LIFT SYSTEM FRONT	12-000-TOC
13-000-TOC	IMPLEMENT LIFT SYSTEM REAR	13-000-TOC
14-000-TOC	FRONT/REAR LOADERS	14-000-TOC
15-000-TOC	ATTACHMENTS	15-000-TOC
16-000-TOC	ACCESSORIES	16-000-TOC

FARMER 309 (186/11501-14600)
4889

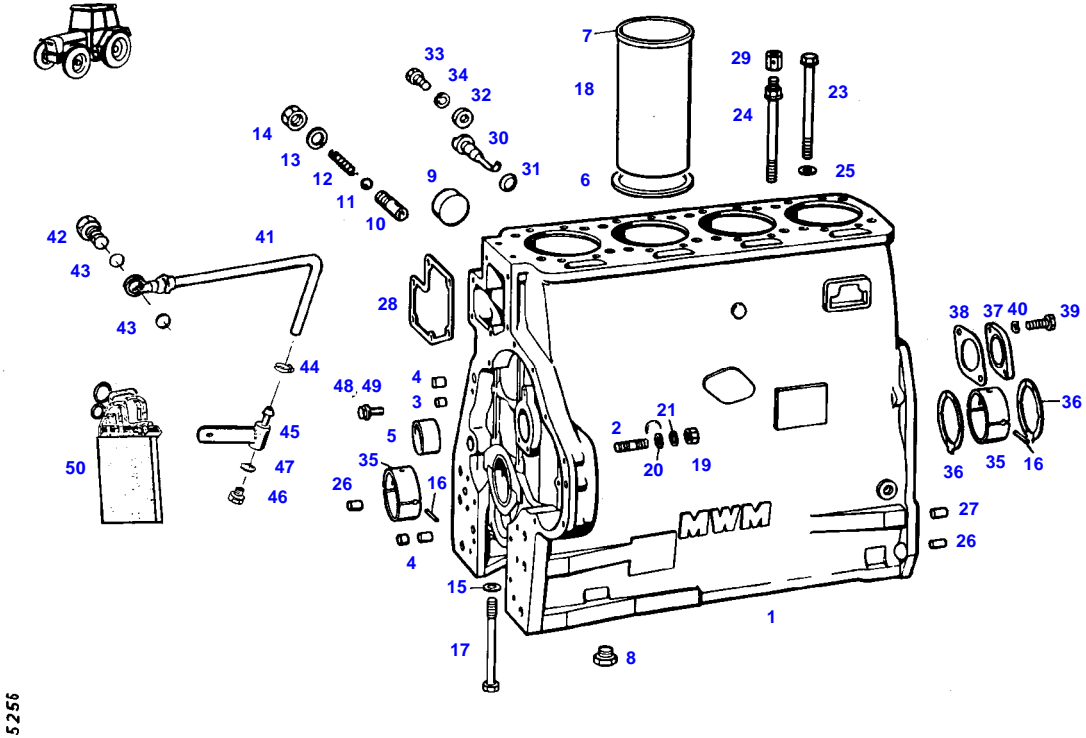


4889

Item	Part Number	Qty	Description Comments	Technical Specification
			63 KW/86 PS 66 KW/90 PS --> 186/13599	
	72431079	1	DIESEL ENGINE CONSULTATION WITH TECHNICAL SERVICE NEEDED 63 KW/86 PS --> 186/12414	
	72431080	1	DIESEL ENGINE CONSULTATION WITH TECHNICAL SERVICE NEEDED 63 KW/86 PS <-- 186/12415	
	72431081	1	DIESEL ENGINE 66 KW/90 PS <-- 186/12415 <-- Z186.206.010.010 PARTS FOR EXCHANGE ENGINE WITH ENGINE NO. D226.4.B 81.... SEE AT F183.001, 66KW 90HP,<--186/13600 MOTOR-NR. D226.4.B 81 SIEH E BEI F186.001, 66KW 90PS, <-- 186/1	
1	72332519	1	CRANKCASE ><1-18,29	
2	72313777	4	STUD BOLT	DIN 939 M10X35-8.8
3	72327772	8	PLUG 10 MM	
4	72327773	3	PLUG 14 MM	
	72327068	2	PLUG 16 MM	
5	72330749	1	BUSH	
6			NOT USED	
7	72377226	4	COVER	DIN 443-50
8	72315676	2	HEXAGONAL HEAD BOLT	DIN 933 M10X12-8.8
9	72315089	2	SEALING WASHER	DIN 7603 A10X16-CU
10	72341074	1	SCREW PIECE	
11	72378872	1	BALL	DIN 5401-9,0MM
12	72341075	1	COMPRESSION SPRING	
13	72315097	1	SEALING WASHER	DIN 7603 A16X20-CU
14	72341076	1	CAP NUT	
15	72324592	10	DISC	
16	72375130	5	TENSIONING PIN	ISO8752-4X8-A-ST-ZNPH
17	72327081	10	HEXAGONAL HEAD BOLT	
18	72331774	4	CYLINDER LINER HONED AFTER MOUNTING	
	72331777	4	CYLINDER LINER FINISHED SIZE	
	72331778	4	CYLINDER LINER FINISHED SIZE HIGH TIN COLLAR	
19	72372811	4	NUT	DIN 934 M10-10A3L
20	72311789	4	DISC	DIN 125-10,5-ST.A3L
21	72375420	4	TOOTHLOCK WASHER	DIN 6797 A10,5
23	72326267	14	HEXAGONAL HEAD BOLT	
24	72326268	2	HEXAGONAL HEAD BOLT	
25	72324592	16	DISC	
26	72313859	4	CYLINDER PIN	DIN 7-8M6X18-ST50K
27	72375324	2	CYLINDER PIN	DIN 7-10M6X28-ST50K
28	72327043	1	MOLDED SEAL	
29	72373972	1	PLUG	DIN 910 M16X1,5-ST
30	72334018	4	NOZZLE	
31	72376423	4	O-RING	14X3-NBR 70 FWN56402
32	72334019	4	DISC	

Item	Part Number	Qty	Description Comments	Technical Specification
33	72315642	4	HEXAGONAL HEAD BOLT	DIN 933 M8 X 16-8.8A3L
34	72315053	4	SPLIT WASHER	FWN 65208-8-A3L
35	72341078	7	MAIN BEARING 70,00 MM	
	72341079	7	MAIN BEARING 69,79 MM	
	72341080	7	MAIN BEARING 69,54 MM	
	72341081	7	MAIN BEARING 69,29 MM	
	72341082	7	MAIN BEARING 69,04 MM	
36	72343910	2	THRUST RING 70,00 MM	
	72343911	2	THRUST RING 69,79 MM	
	72343912	2	THRUST RING 69,54 MM	
	72343913	2	THRUST RING 69,04 MM	
37	72343896	1	COVER	
38	72376544	1	O-RING	42,2X3-NBR 70 FWN56402
39	72315650	2	HEXAGONAL HEAD BOLT	DIN 933 M8 X 20-8.8A3L
40	72317121	2	SPRING WASHER	DIN 137 B8-MECH.VZK
41	72313976	1	COOLING WATER DRAIN LINE	
42	72315808	1	BANJO BOLT	DIN 7643-10-3-A3L
43	72315094	2	SEALING WASHER	DIN 7603 A14X18-CU
44	72438345	1	HOSE CLIP	
45	72355704	1	HOSE RETAINER	
46	72315436	1	SCREW	DIN 908 M10X1-ST A3L
47	72315088	1	SEALING WASHER	DIN 7603 A10X13,5-CU
50	72376237	1	SEAL KIT TD 226-4	TD 226-4

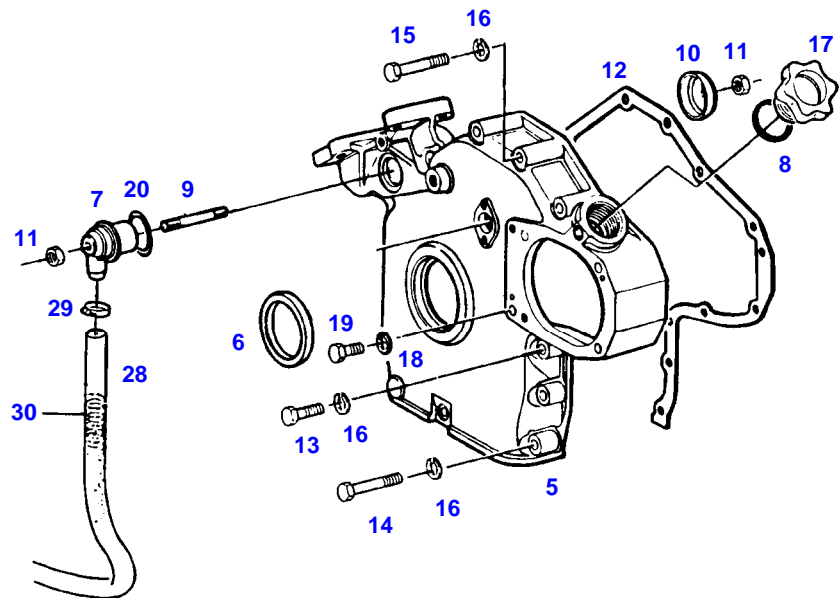
FARMER 309 (186/11501-14600)
5256



Item	Part Number	Qty	Description Comments	Technical Specification
			66 KW/90 PS <-- 186/13600	
1	72431082	1	DIESEL ENGINE	
	72332452	1	CRANKCASE ><2-5,8-17,19-21,48+49 <-- F186.200.210.130 <>	
	72340921	1	MIDGRIP NUT	
	72340920	1	DISC	
	72375420	4	TOOTHLOCK WASHER	DIN 6797 A10,5
	72416321	1	CAMSHAFT	
	72313272	4	NUT	DIN 934 M10-8A3L
	72311789	4	DISC	DIN 125-10,5-ST.A3L
	72326139	1	PIPE PIECE	
2	72313777	4	STUD BOLT	DIN 939 M10X35-8.8
3	72327772	8	PLUG 10 MM	
4	72327773	3	PLUG 14 MM	
	72327068	2	PLUG 16 MM	
5	72329540	1	BUSH	
6	72343893	8	SEAL	
7	72329541	8	SEAL	
8	72337035	1	HEXAGONAL HEAD BOLT	
9	72377226	4	COVER	DIN 443-50
10	72341074	1	SCREW PIECE	
11	72378872	1	BALL	DIN 5401-9,0MM
12	72341075	1	COMPRESSION SPRING	
13	72315097	1	SEALING WASHER	DIN 7603 A16X20-CU
14	72341076	1	CAP NUT	
15	72328007	10	DRIVER	
16	72375130	5	TENSIONING PIN	ISO8752-4X8-A-ST-ZNPH
17	72327081	10	HEXAGONAL HEAD BOLT	
18	72425044	4	CYLINDER LINER	
19	72372811	4	NUT	DIN 934 M10-10A3L
20	72311789	4	DISC	DIN 125-10,5-ST.A3L
21	72375420	4	TOOTHLOCK WASHER	DIN 6797 A10,5
23	72333013	14	SOCKET HEAD BOLT MUST NOT BE RETIGHTENED	
24	72333014	2	HEXAGONAL HEAD BOLT MUST NOT BE RETIGHTENED	
25	72324592	16	DISC	
26	72313859	4	CYLINDER PIN	DIN 7-8M6X18-ST50K
27	72375324	2	CYLINDER PIN	DIN 7-10M6X28-ST50K
28	72327043	1	MOLDED SEAL	
29			NOT USED	
30	72334018	4	NOZZLE	
31	72376423	4	O-RING	14X3-NBR 70 FWN56402
32	72334019	4	DISC	
33	72315642	4	HEXAGONAL HEAD BOLT	DIN 933 M8 X 16-8.8A3L
34	72315053	4	SPLIT WASHER	FWN 65208-8-A3L
35	72341078	5	MAIN BEARING 70,00 MM	
	72341079	5	MAIN BEARING 69,79 MM	
	72341080	5	MAIN BEARING 69,54 MM	
	72341081	5	MAIN BEARING 69,29 MM	
	72341082	5	MAIN BEARING 69,04 MM	
36	72343910	2	THRUST RING 70,00 MM	

Item	Part Number	Qty	Description Comments	Technical Specification
	72343911	2	THRUST RING 69,79 MM	
	72343912	2	THRUST RING 69,54 MM	
	72343913	2	THRUST RING 69,04 MM	
37	72343896	1	COVER	
38	72333001	1	SEAL	
39	72315650	2	HEXAGONAL HEAD BOLT	DIN 933 M8 X 20-8.8A3L
40	72315053	2	SPLIT WASHER	FWN 65208-8-A3L
41	72313976	1	COOLING WATER DRAIN LINE	
42	72315808	1	BANJO BOLT	DIN 7643-10-3-A3L
43	72315094	2	SEALING WASHER	DIN 7603 A14X18-CU
44	72438345	1	HOSE CLIP	
45	72355704	1	HOSE RETAINER	
46	72315436	1	SCREW	DIN 908 M10X1-ST A3L
47	72315088	1	SEALING WASHER	DIN 7603 A10X13,5-CU
48	72315436	1	SCREW	DIN 908 M10X1-ST A3L
49	72315088	1	SEALING WASHER	DIN 7603 A10X13,5-CU
50	72332453	1	SEAL KIT TD 226B-4	

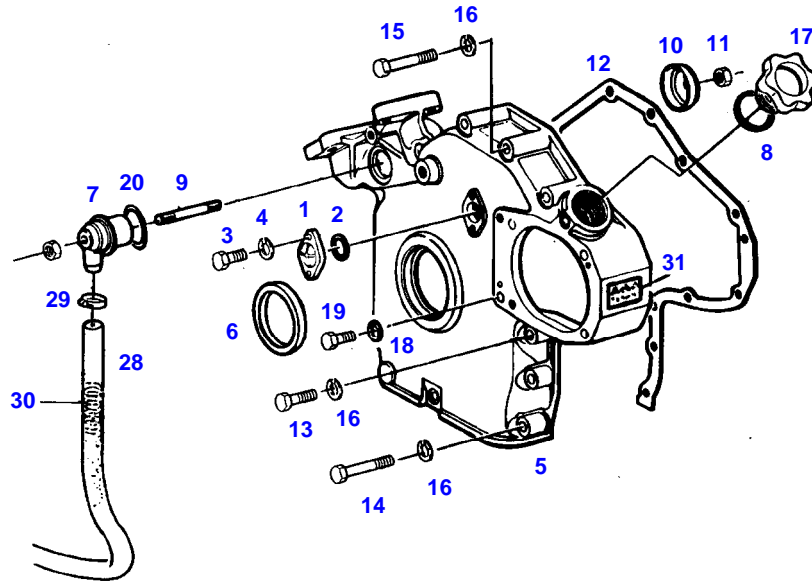
FARMER 309 (186/11501-14600)
4890



4890

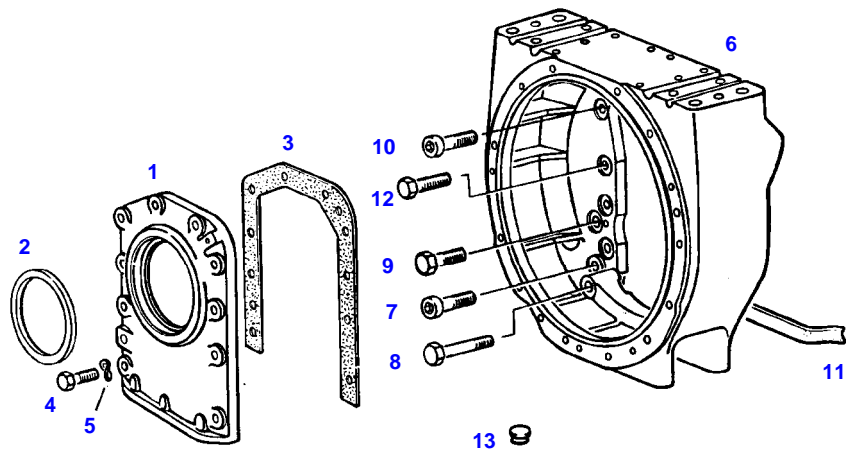
Item	Part Number	Qty	Description Comments	Technical Specification
			63 KW/86 PS 66 KW/90 PS --> 186/13599	
5	72340126	1	CRANKCASE END COVER	
6	72332982	1	RADIAL SEALING RING	
7	72326907	1	HOUSING	
8	72376514	1	O-RING	32X4-NBR 70 FWN56402
9	72326906	1	THREADED PIN	
10	72326904	1	COVER PANEL	
11	72313266	2	NUT	DIN 934 M6-8A3L
12	72330757	1	MOLDED SEAL	
13	72315659	1	HEXAGONAL HEAD BOLT	DIN 933 M8X35-8.8
14	72374158	7	HEXAGONAL HEAD BOLT	DIN 931 M8X45-8.8
15	72315534	5	HEXAGONAL HEAD BOLT	DIN 931 M8 X 70-8.8
16	72315053	13	SPLIT WASHER	FWN 65208-8-A3L
17	72321607	1	PLUG	
18	72315087	1	SEALING WASHER	DIN 7603 A8X14-CU
19	72315643	1	HEXAGONAL HEAD BOLT	DIN 933 M8X10-8.8
20	72376538	1	O-RING	40X4
28	72436284	1	HOSE 1X 750MM CUT TO LENGTH	L=1120 FWN65912-19X3-PVC-W-G
29	72311166	1	HOSE CLIP	
30	72407980	1	COMPRESSION SPRING	

FARMER 309 (186/11501-14600)
4686



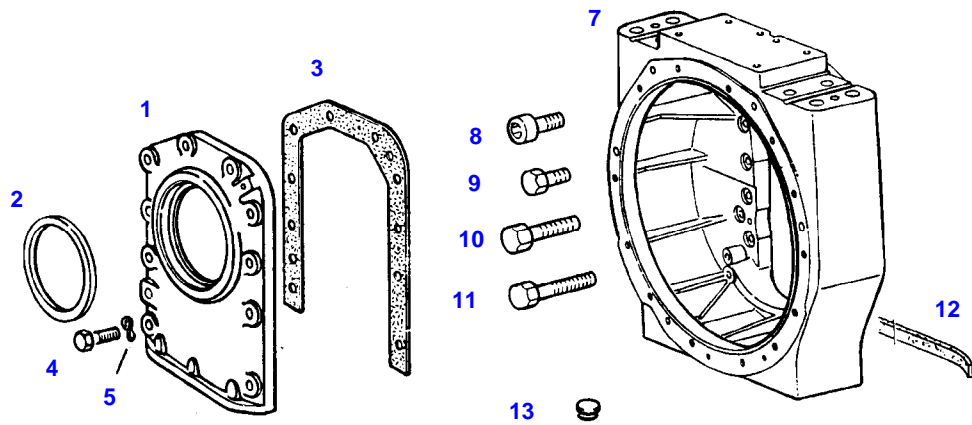
4686

Item	Part Number	Qty	Description Comments	Technical Specification
66 KW/90 PS <-- 186/13600				
1	72343896	1	COVER	
2	72376544	1	O-RING	42,2X3-NBR 70 FWN56402
3	72315650	2	HEXAGONAL HEAD BOLT	DIN 933 M8 X 20-8.8A3L
4	72317121	2	SPRING WASHER	DIN 137 B8-MECH.VZK
5	72340126	1	CRANKCASE END COVER	
6	72332982	1	RADIAL SEALING RING	
7	72326907	1	HOUSING	
8	72376514	1	O-RING	32X4-NBR 70 FWN56402
9	72326906	1	THREADED PIN	
10	72326904	1	COVER PANEL	
11	72372804	2	NUT	DIN 934 M6-10
12	72330757	1	MOLDED SEAL	
13	72315660	1	HEXAGONAL HEAD BOLT	DIN 933 M8X35-8.8A3L
14	72374372	7	HEXAGONAL HEAD BOLT	DIN 931 M8X45S-8.8
15	72315534	5	HEXAGONAL HEAD BOLT	DIN 931 M8 X 70-8.8
16	72315053	13	SPLIT WASHER	FWN 65208-8-A3L
17	72321607	1	PLUG	
18	72315087	1	SEALING WASHER	DIN 7603 A8X14-CU
19	72315644	1	HEXAGONAL HEAD BOLT	DIN 933 M8X10-8.8A3L
20	72376538	1	O-RING	40X4
28	72436284	1	HOSE 1X 830MM CUT TO LENGTH	L=1120 FWN65912-19X3-PVC-W-G
29	72311166	1	HOSE CLIP	
30	72407980	1	COMPRESSION SPRING	
31	72312910	1	DECAL	



5239

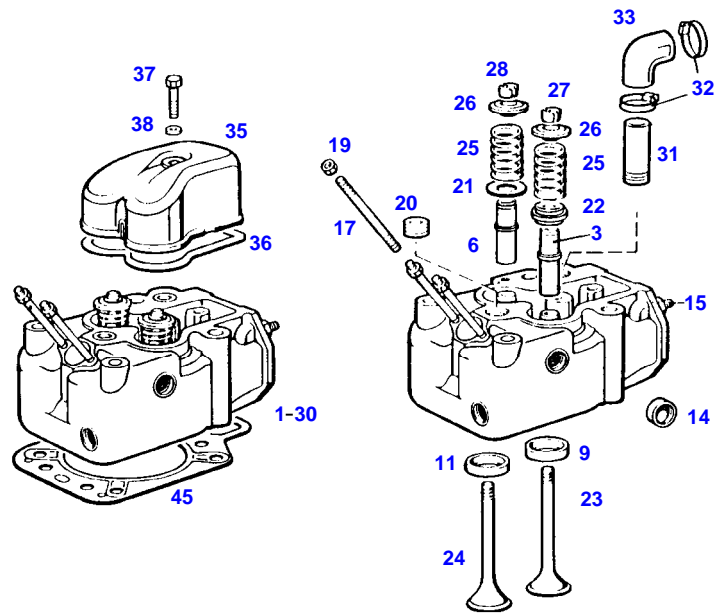
Item	Part Number	Qty	Description Comments	Technical Specification
			--> 186/12414	
1	72330754	1	CRANKCASE END COVER ><1+2	
2	72376834	1	SHAFT SEAL	110X130X14,5
3	72330755	1	MOLDED SEAL	
4	72315759	10	HEXAGONAL HEAD BOLT	DIN 933 M8X25 SK-8.8
5	72317121	10	SPRING WASHER	DIN 137 B8-MECH.VZK
6	72392823	1	HOUSING <>	
7	72315511	2	SOCKET HEAD BOLT	DIN 912 M12X40-10.9
8	72374184	2	HEXAGONAL HEAD BOLT	DIN 931 M10X75-12.9
9	72484465	3	HEXAGONAL HEAD BOLT	M12X35
10	72374073	1	SOCKET HEAD BOLT	DIN 912 M12X45-12.9
11	72325584	1	RUBBER STRIP	
12	72374435	10	HEXAGONAL HEAD BOLT	DIN933 M10X33 GWA-10.9
13	72314756	1	LOCKING PLUG GPN300-F21	F21
	72375075	1	LOCKING PLUG GPN300-F3	F3
	72314763	4	LOCKING PLUG F211	F211
	72314748	4	LOCKING PLUG GPN300-F11	SW-F11
	72375092	4	LOCKING PLUG GPN300-F12	V14
	72375100	1	SCREW PLUG GPN700 AM18	M18
	72317290	1	TAPERED PLUG GPN500 B47	



6027

Item	Part Number	Qty	Description Comments	Technical Specification
			<-- 186/12415	
1	72330754	1	CRANKCASE END COVER ><2	
2	72376834	1	SHAFT SEAL	110X130X14,5
3	72330755	1	MOLDED SEAL	
4	72315759	10	HEXAGONAL HEAD BOLT	DIN 933 M8X25 SK-8.8
5	72317121	10	SPRING WASHER	DIN 137 B8-MECH.VZK
7	72395452	1	HOUSING	
8	72374073	4	SOCKET HEAD BOLT	DIN 912 M12X45-12.9
9	72315686	10	HEXAGONAL HEAD BOLT	DIN 933-M10X35-12.9
10	72374220	4	HEXAGONAL HEAD BOLT	DIN 931-M12X80-12.9
11	72374189	2	HEXAGONAL HEAD BOLT	DIN 931 M10X85-12.9
12	72325584	1	RUBBER STRIP	
13	72314756	1	LOCKING PLUG F21	F21
	72375075	2	LOCKING PLUG F3	F3
	72314763	4	LOCKING PLUG F211	F211
	72314748	4	LOCKING PLUG F11	SW-F11
	72375092	4	LOCKING PLUG F12	V14
	72375100	1	SCREW PLUG M18	M18
	72317290	1	TAPERED PLUG B47	

FARMER 309 (186/11501-14600)
4894



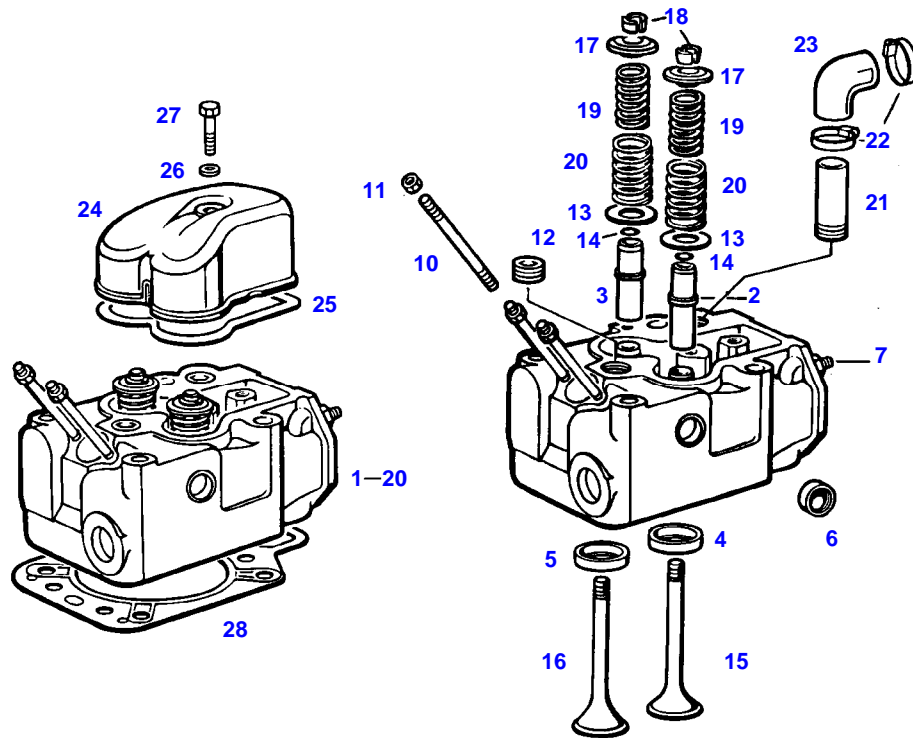
4894

Item	Part Number	Qty	Description Comments	Technical Specification
			63 KW/86 PS 66 KW/90 PS --> 186/13599	
1	72341086	4	CYLINDER HEAD ><1-30	
3	72341089	4	VALVE GUIDE --> 186/12414 INTAKE	
	72343644	4	VALVE GUIDE <-- 186/12415	
6	72327062	4	VALVE GUIDE --> 186/12414 OUTLET	
	72343644	4	VALVE GUIDE <-- 186/12415	
8	72343647	8	SEAL	
9	72341096	4	VALVE SEAT RING --> 186/12414 INTAKE	
	72341101	4	VALVE SEAT RING <-- 186/12415 INTAKE	
11	72332174	4	VALVE SEAT RING --> 186/12414 OUTLET	
	72332462	4	VALVE SEAT RING <-- 186/12415 OUTLET	
14	72327095	16	SHEET METAL COVER	
15			SEE AIRFILTER	
17	72374632	8	STUD BOLT	DIN 939 M8X55-8.8
19	72313267	8	NUT	DIN 934 M8-10
20	72373948	4	PLUG SCREW	DIN 906 M22X1,5-ST
21	72326923	4	DISC OUTLET	
	72340915	4	DISC ENGINE BRAKE OUTLET	
22	72341091	4	ROTO CAP INTAKE	
	72326923	4	DISC INTAKE ENGINE BRAKE	
23	72341097	4	POPPET INTAKE	
24	72341093	4	POPPET OUTLET	
25	72327057	8	COMPRESSION SPRING	
	72327057	4	COMPRESSION SPRING INTAKE ENGINE BRAKE	
	72340913	4	VALVE SPRING ENGINE BRAKE OUTLET	
	72340914	4	VALVE SPRING ENGINE BRAKE OUTLET	
26	72327093	8	SPRING RETAINER	
27	72341095	8	TAPER PIECE HALF INTAKE	
28	72327092	8	TAPER PIECE HALF OUTLET	
31	72334841	4	PIPE PIECE	
32	72311167	8	HOSE CLIP	
33	72329731	4	RUBBER ARCH	

CYLINDER HEAD

Item	Part Number	Qty	Description Comments	Technical Specification
35	72334863	4	CYLINDER HEAD COVER	
36	72334862	4	MOLDED SEAL	
37	72315691	4	HEXAGONAL HEAD BOLT	DIN 933 M10X40-8.8A3L
38	72315089	4	SEALING WASHER	DIN 7603 A10X16-CU
45	72326269	4	CYLINDER HEAD GASKET 1,4 MM	

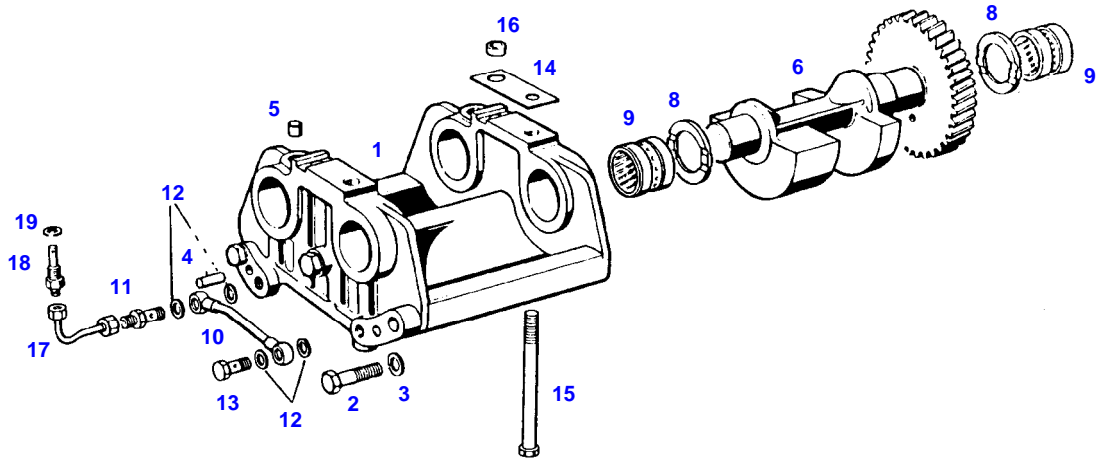
FARMER 309 (186/11501-14600)
4690



4690

Item	Part Number	Qty	Description Comments	Technical Specification
66 KW/90 PS <-- 186/13600				
1	72343643	4	CYLINDER HEAD ><1-20	
2	72343644	4	VALVE GUIDE ><2+14 INTAKE	
3	72343645	4	VALVE GUIDE OUTLET ><3+14	
4	72343650	4	VALVE SEAT RING INTAKE	
5	72343902	4	VALVE SEAT RING OUTLET	
6	72311455	16	COVER	
7			SEE AIRFILTER	
10	72374627	8	STUD BOLT	DIN 939 M8X40-8.8
11	72313268	8	NUT	DIN 934 M8-8A3L
12	72373948	4	PLUG SCREW	DIN 906 M22X1,5-ST
13	72340915	8	DISC	
14	72343647	8	SEAL	
15	72343651	4	POPPET INTAKE	
16	72343905	4	POPPET OUTLET	
17	72327093	8	SPRING RETAINER	
18	72327092	16	TAPER PIECE HALF	
19	72340914	8	VALVE SPRING	
20	72340913	8	VALVE SPRING	
21	72411402	1	HOSE BARB <>	
	72315101	1	SEALING WASHER	DIN 7603 A22X27-CU
	72334841	4	PIPE PIECE <-- 192/3016	
22	72311167	8	HOSE CLIP	
23	72332971	4	RUBBER ARCH	
24	72343906	4	CYLINDER HEAD COVER	
25	72343908	4	MOLDED SEAL	
26	72315087	4	SEALING WASHER	DIN 7603 A8X14-CU
27	72315659	4	HEXAGONAL HEAD BOLT	DIN 933 M8X35-8.8
28	72343992	4	CYLINDER HEAD GASKET	

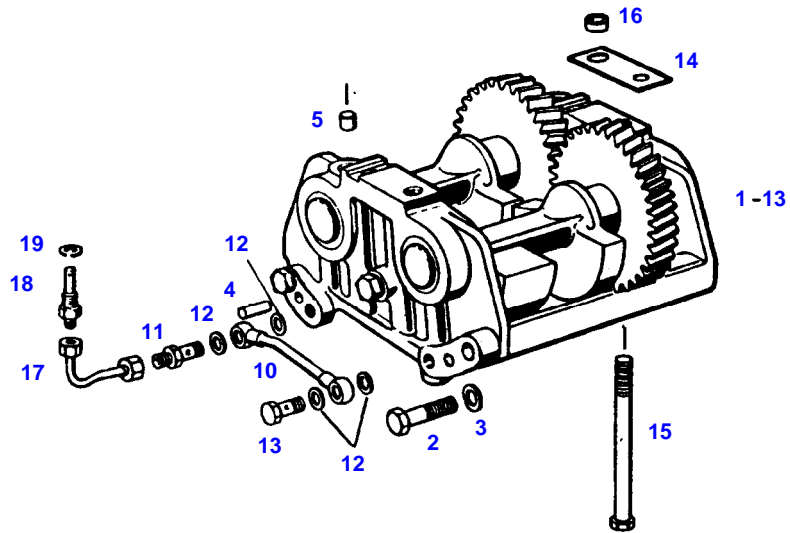
FARMER 309 (186/11501-14600)
4892



4892

Item	Part Number	Qty	Description Comments	Technical Specification
			63 KW/86 PS 66 KW/90 PS --> 186/13599	
1	72337046	1	COUNTERBALANCING ><1-14 <-- F186.200.210.050 1X	
	72329205	1	HOUSING	
2	72374177	3	HEXAGONAL HEAD BOLT	DIN 931 M10X45-8.8
3	72315054	3	SPLIT WASHER	FWN 65208-10-A3L
4	72372613	2	TAPER PIN	DIN 258-8X55-ST50K
5	72325101	4	PLUG	
6	72337047	1	SHAFT DRIVING	
	72337048	1	SHAFT DRIVEN	
8	72329215	4	BEARING RING <-- F186.200.210.050 1X	
9	72337457	4	BEARING BUSHING	
10	72329212	1	LUBRICANT PRESSURE LINE	
11	72329213	1	SCREW PIECE	
12	72315088	4	SEALING WASHER	DIN 7603 A10X13,5-CU
13	72315806	1	BANJO BOLT	DIN 7643-6-3-A3L
14	72329210	X	SHIM	
15	72374198	4	HEXAGONAL HEAD BOLT	DIN 931 M10X105-8.8
16	72332521	2	LOCATING SLEEVE	
17	72329225	1	OIL PRESSURE LINE	
18	72329224	1	SCREW PIECE	
19	72315098	1	SEALING WASHER	DIN 7603 A16X22-CU

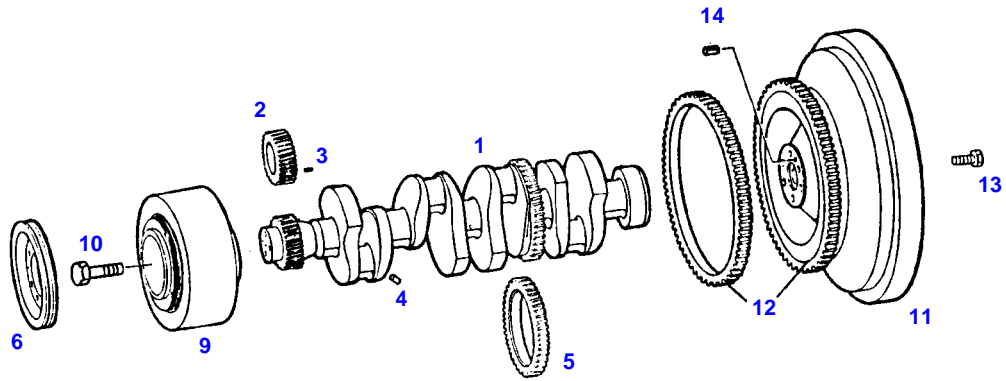
FARMER 309 (186/11501-14600)
5260



5260

Item	Part Number	Qty	Description Comments	Technical Specification
			66 KW/90 PS <-- 186/13600	
1	72318354	1	COUNTERBALANCING ><2-13	
2	72374177	3	HEXAGONAL HEAD BOLT	DIN 931 M10X45-8.8
3	72315054	3	SPLIT WASHER	FWN 65208-10-A3L
4	72372613	2	TAPER PIN	DIN 258-8X55-ST50K
5	72325101	4	PLUG	
10	72329212	1	LUBRICANT PRESSURE LINE	
11	72329213	1	SCREW PIECE	
12	72315088	4	SEALING WASHER	DIN 7603 A10X13,5-CU
13	72315806	1	BANJO BOLT	DIN 7643-6-3-A3L
14	72329210	X	SHIM	
15	72374198	4	HEXAGONAL HEAD BOLT	DIN 931 M10X105-8.8
16	72332521	2	LOCATING SLEEVE	
17	72329225	1	OIL PRESSURE LINE	
18	72329224	1	SCREW PIECE	
19	72315098	1	SEALING WASHER	DIN 7603 A16X22-CU

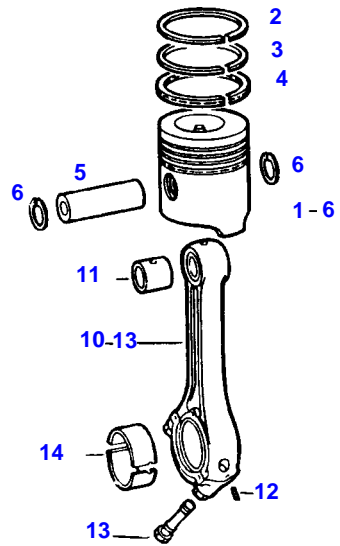
FARMER 309 (186/11501-14600)
4891



4891

Item	Part Number	Qty	Description Comments	Technical Specification
1	72332520	1	CRANKSHAFT ><2-5	
2	72341105	1	SPUR GEAR	
3	72313801	1	TENSIONING PIN	ISO8752-4X14-A-ST
4	72337059	4	PLUG	
5	72329220	1	RING GEAR	
6			SEE V-BELT	
9	72332454	1	HUB	
10	72374113	4	SOCKET HEAD BOLT	DIN 912 M16X50-10.9
11	72332461	1	FLYWHEEL ><12	
12	72330772	1	RING GEAR	
13	72315739	6	HEXAGONAL HEAD BOLT	DIN 933 M16X60 GWA-10.9
14	72375149	1	TENSIONING PIN	ISO8752-6X10-A-ST
	72329545	1	PIN NOT ILLUSTRATED	

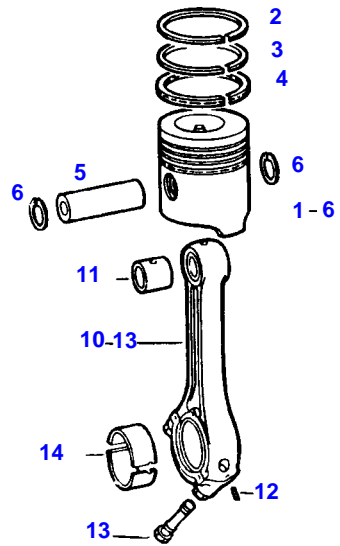
FARMER 309 (186/11501-14600)
3119



3119

Item	Part Number	Qty	Description Comments	Technical Specification
			63 KW/86 PS 66 KW/90 PS --> 186/13599	
1	72343595	4	PISTON ><1-6	
	72343596	4	PISTON ><1-6	
2	72329077	4	OVERSIZE 0,5 MM KEYSTONE RING	
	72329079	4	KEYSTONE RING OVERSIZE 0,5 MM	
3	72331781	4	TAPERED COMPRESSION RING	
	72331787	4	TAPERED COMPRESSION RING OVERSIZE 0,5 MM	
4	72341114	4	WEDGE-SECTION RING	
	72326281	4	DOUBLE BEVELLED OIL CONTROL RING OVERSIZE 0,5 MM	
5			NOT AVAILABLE IN SINGLE PARTS	
6	72311094	8	LOCK WASHER	DIN 472-35X1,5
10	72341117	4	PISTON ROD ><10-13	
11	72341118	4	SMALL-END BUSH	
12	72313802	4	TENSIONING PIN	ISO8752-4X16-A-ST-ZNPHR10F-KOE
13	72327143	8	CONNECTING ROD BOLT	
14	72341119	4	CONNECTING ROD BEARING 63,00 MM	
	72341120	4	CONNECTING ROD BEARING 62,75 MM	
	72341121	4	CONNECTING ROD BEARING 62,50 MM	
	72341122	4	CONNECTING ROD BEARING 62,25 MM	
	72341123	4	CONNECTING ROD BEARING 62,00 MM	

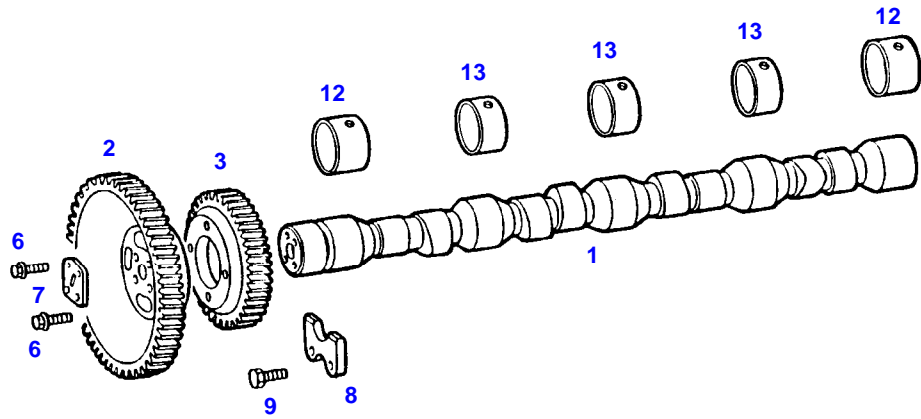
FARMER 309 (186/11501-14600)
3119



3119

Item	Part Number	Qty	Description Comments	Technical Specification
			66 KW/90 PS <-- 186/13600	
1	72333026	4	PISTON TO BE EXCHANGED BY SET <-- F199.204.310.010 ><2-6	
2	72333027	4	PISTON RING KIT ><2-4	
3			NOT AVAILABLE IN SINGLE PARTS	
4			NOT AVAILABLE IN SINGLE PARTS	
5			NOT AVAILABLE IN SINGLE PARTS	
6	72332584	8	LOCKWASHER	
10	72343926	4	PISTON ROD ><11-13	
11	72341118	4	SMALL-END BUSH	
12	72313802	4	TENSIONING PIN	ISO8752-4X16-A-ST-ZNPHR10F-KOE
13	72327143	8	CONNECTING ROD BOLT	
14	72341119	4	CONNECTING ROD BEARING 63,00 MM	
	72341120	4	CONNECTING ROD BEARING 62,75 MM	
	72341121	4	CONNECTING ROD BEARING 62,50 MM	
	72341122	4	CONNECTING ROD BEARING 62,25 MM	
	72341123	4	CONNECTING ROD BEARING 62,00 MM	

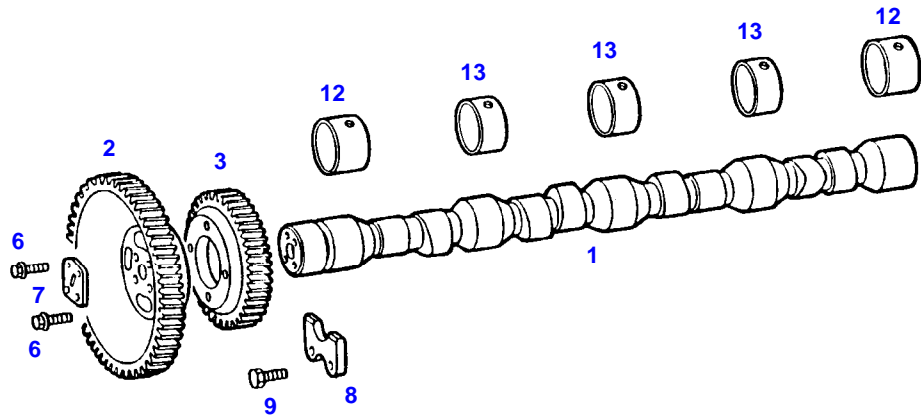
FARMER 309 (186/11501-14600)
4893



4893

Item	Part Number	Qty	Description Comments	Technical Specification
			63 KW/86 PS 66 KW/90 PS --> 186/13599	
1	72334881	1	CAMSHAFT	
2	72330784	1	SPUR GEAR	
3	72327170	1	SPUR GEAR	
6	72375063	8	LOCK SCREW	FWN 64993 M8X22-12.9
7	72331325	1	PROFIED FLANGE	
8	72327172	1	SEGMENT	
9	72375061	2	LOCK SCREW	W151.12 M8X16-90
12	72325608	2	BUSH	
13	72325609	3	BUSH	

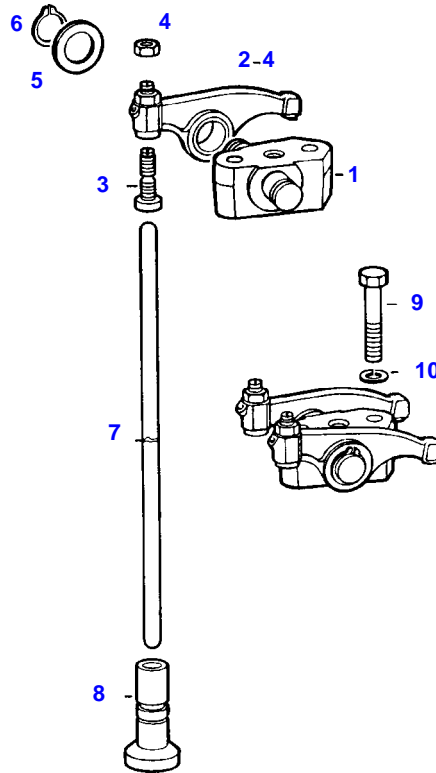
FARMER 309 (186/11501-14600)
4893



4893

Item	Part Number	Qty	Description Comments	Technical Specification
			66 KW/90 PS <-- 186/13600	
1	72416321	1	CAMSHAFT	
2	72343928	1	SPUR GEAR	
3	72343929	1	SPUR GEAR	
6	72375063	8	LOCK SCREW	FWN 64993 M8X22-12.9
7	72331325	1	PROFILED FLANGE	
8	72343930	1	SEGMENT	
9	72375061	2	LOCK SCREW	W151.12 M8X16-90
12	72332989	2	BUSH REPAIR STEP	
13	72332990	3	BUSH REPAIR STEP	

FARMER 309 (186/11501-14600)
3121



3121

Item	Part Number	Qty	Description Comments	Technical Specification
			63 KW/86 PS 66 KW/90 PS --> 186/13599	
1	72326928	4	ROCKER ARM SUPPORT <>	
2	72326251	8	ROCKER ARM ><2-4	
3	72328652	8	ADJUSTING SCREW	
4	72313268	8	NUT	DIN 934 M8-8A3L
5	72321237	8	DISC	
6	72375559	8	LOCK WASHER	DIN 471-16X1
7	72330785	8	BUMPER	
8	72334866	8	MUSHROOM TAPPET	
9	72315691	8	HEXAGONAL HEAD BOLT	DIN 933 M10X40-8.8A3L
10	72315054	8	SPLIT WASHER	FWN 65208-10-A3L

Thank you so much for reading.
Please click the “Buy Now!”
button below to download the
complete manual.



After you pay.

You can download the most
perfect and complete manual in
the world immediately.

Our support email:

ebooklibonline@outlook.com