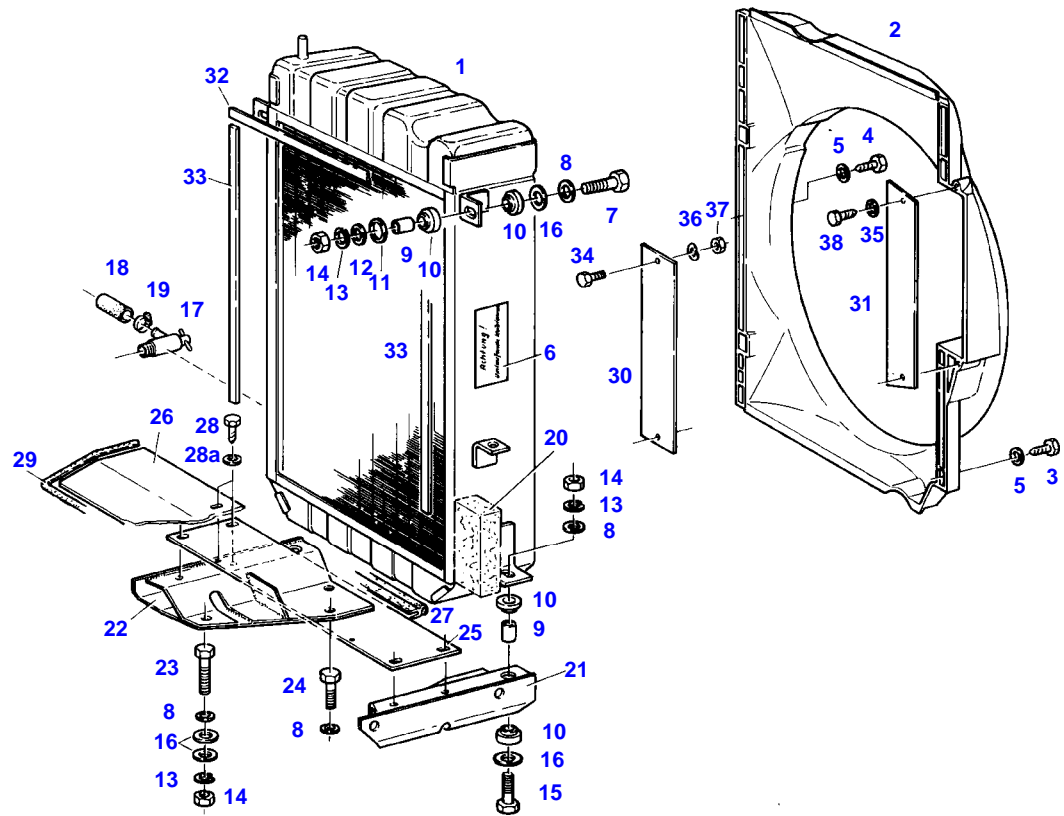


TABLE OF CONTENT

Page Number	Page Title	Page Reference
01-000-TOC	ENGINE, FUEL AND EXHAUST SYSTEM	01-000-TOC
02-000-TOC	AXLES	02-000-TOC
03-000-TOC	STEERING SYSTEM	03-000-TOC
04-000-TOC	DRIVE TRAIN SYSTEM	04-000-TOC
05-000-TOC	COMPRESSED AIR SYSTEM	05-000-TOC
06-000-TOC	HYDRAULIC SYSTEM	06-000-TOC
07-000-TOC	ELECTRICAL SYSTEM	07-000-TOC
08-000-TOC	CAB	08-000-TOC
09-000-TOC	AIR CONDITIONING AND HEATING SYSTEM	09-000-TOC
10-000-TOC	CHASSIS	10-000-TOC
11-000-TOC	WHEELS	11-000-TOC
12-000-TOC	IMPLEMENT LIFT SYSTEM FRONT	12-000-TOC
13-000-TOC	IMPLEMENT LIFT SYSTEM REAR	13-000-TOC
14-000-TOC	FRONT/REAR LOADERS	14-000-TOC
15-000-TOC	ACCESSORIES	15-000-TOC

FARMER 311 (198/00001-05000)
3090

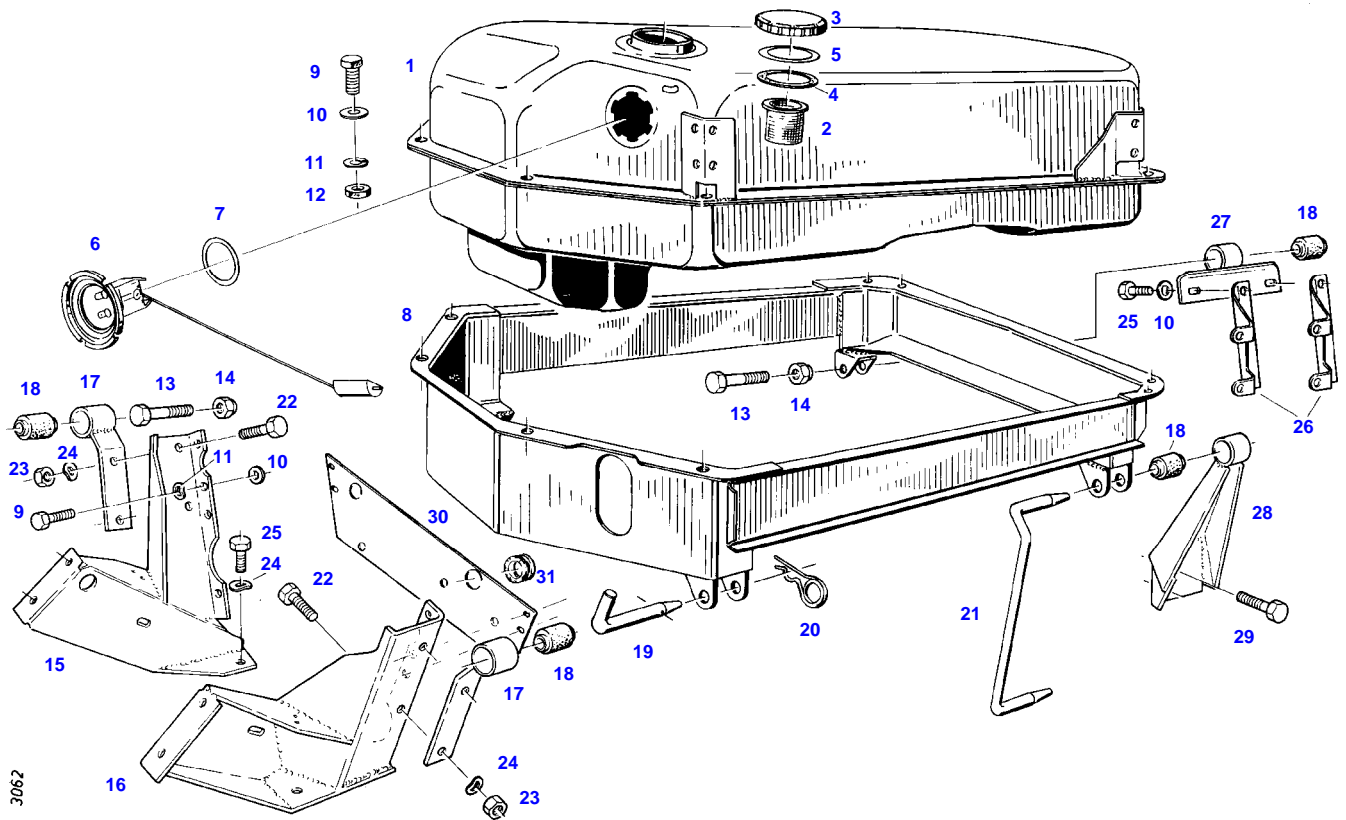


3090

Item	Part Number	Qty	Description Comments	Technical Specification
			RANGE OF TEMPERATURE 2+2 WITH AIR BRAKE SUPPLY EQUIPEMENT RANGE OF TEMPERATURE 1+2 WITH AIR CONDITION	
1	72348656	1	RADIATOR	
2	72396296	1	FAN COVER	
3	72315818	4	SCREW	DIN7976-ST4,2X25-C-A3L
4	72315787	2	SCREW	DIN 7981 B4,2X16-A3L
5	72311817	6	DISC	DIN9021-4,3-140HV-A3L
6	72379109	2	MARKING PLATE	FWN66556-35X68-SCHUTZVORR.N.OE
7	72315663	2	HEXAGONAL HEAD BOLT	DIN 933 M8X40-8.8A3L
8	72311788	10	DISC	DIN 125-8,4-ST.A3L
9	72310718	4	BUSH	
10	72312479	8	UNIVERSAL SPOUT	
11	72311793	2	DISC	DIN 125-17-ST.A3L
12	72311824	2	DISC	DIN9021-8,4-140HV-A3L
13	72315053	8	SPLIT WASHER	FWN 65208-8-A3L
14	72313268	8	NUT	DIN 934 M8-8A3L
15	72315660	2	HEXAGONAL HEAD BOLT	DIN 933 M8X35-8.8A3L
16	72311888	10	DISC	
17	72378063	1	RELIEF VALVE	DIN71401-CM14X1,5KEG
18	72389310	1	HOSE	
19	72438345	1	HOSE CLIP	
20	72396300	2	SEALING STRIP	
21	72357306	1	BRACKET	
22	72357307	1	BRACKET	
23	72315668	4	HEXAGONAL HEAD BOLT	DIN 933 M8X50-8.8A3L
24	72315660	2	HEXAGONAL HEAD BOLT	DIN 933 M8X35-8.8A3L
25	72396301	1	COVER PLATE	
26	72396302	1	SPLASH PANEL	
27	72451235	1	PROTECTIVE STRIP 1X 440 MM CUT TO LENGTH	L=700 FWN 63040
28	72315820	6	SCREW	DIN7976-ST6,3X13-C-A3L
	72311787	6	DISC	DIN 125-6,4-ST.A3L
29	72450971	1	SHAPED CORD 1X 740 MM CUT TO LENGTH	L=1000 FWN 63040 C02
30	72396336	1	PLATE 2WD	
31	72396337	1	COVER PLATE 2WD	
32	72450581	1	SEALING STRIP 1X 450 MM CUT TO LENGTH	L=20M
33	72450581	1	SEALING STRIP 2X 400 MM CUT TO LENGTH	L=20M
34	72315620	2	HEXAGONAL HEAD BOLT 2WD	DIN 933 M5X10-8.8
35	72311818	2	DISC 2WD	DIN9021-5,3-140HV-A3L
36	72315051	2	SPLIT WASHER 2WD	FWN 65208-5-A3L
37	72313264	2	NUT 2WD	DIN 934 M5-8A3L
38	72315814	2	SCREW 2WD	DIN7976-ST4,8X16-F-A3L

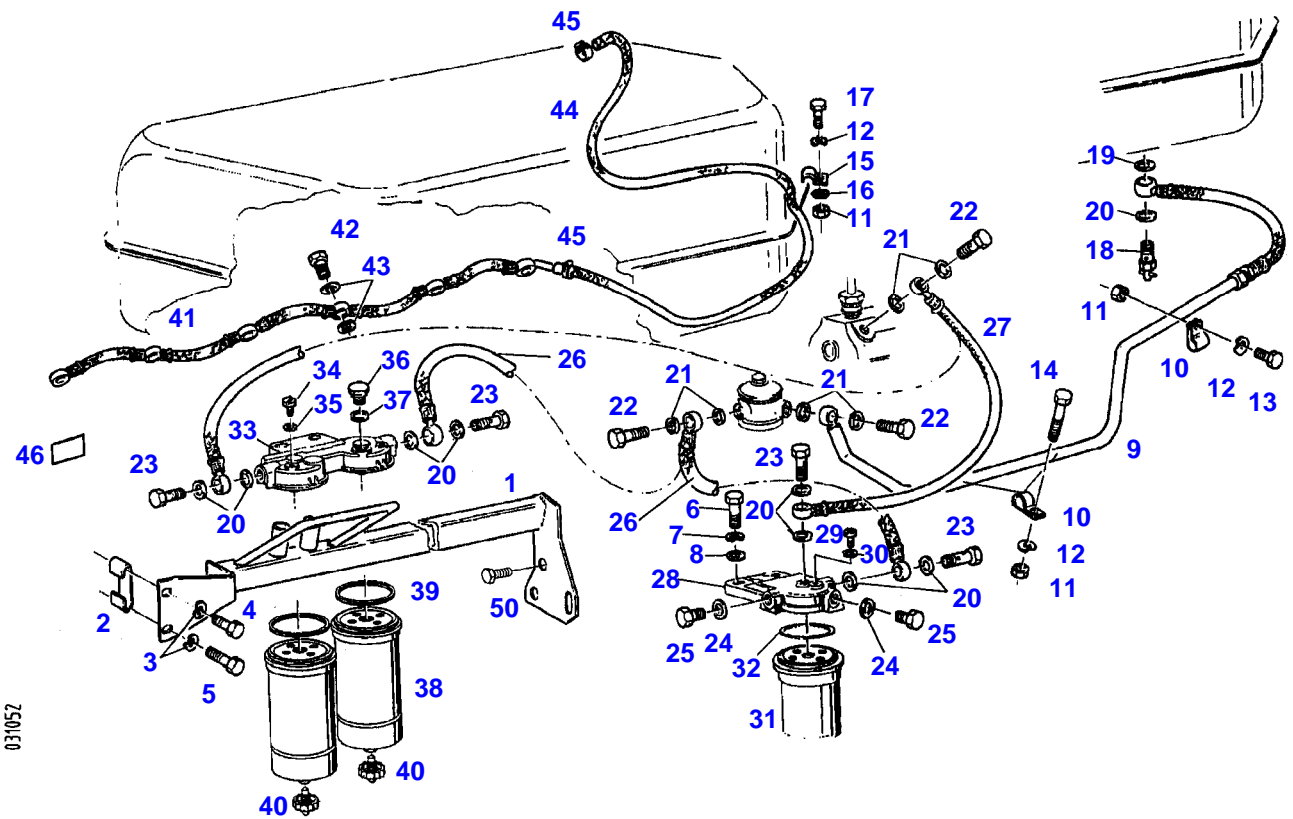
Item	Part Number	Qty	Description Comments	Technical Specification
1	72316897	1	EXPANSION TANK <>	
	72409370	1	CAP	
	72438345	1	HOSE CLIP	
2	72348672	1	COLLER LOCKING	
3	72396298	2	RETAINER	
4	72315629	3	HEXAGONAL HEAD BOLT	DIN 933 M6 X 12-8.8A3L
5	72315626	1	HEXAGONAL HEAD BOLT	DIN 933-M6 X 16-8.8-A3L
6	72315631	4	HEXAGONAL HEAD BOLT	DIN 933 M6 X 20-8.8A3L
7	72311787	1	DISC	DIN 125-6,4-ST.A3L
	72311822	4	DISC	DIN9021-6,4-140HV-A3L
8	72315052	8	SPLIT WASHER	FWN 65208-6-A3L
9	72313266	8	NUT	DIN 934 M6-8A3L
10	72622024	1	PRESSURE HOSE 1X 210 MM CUT TO LENGTH	L=0,50M 8X3,5-FWN65911
11	72438345	2	HOSE CLIP	
12	72380193	1	THERMOSTAT	75GR+-2GR
13	72396299	1	RUBBER ARCH	
14	72311162	8	HOSE CLIP	
15	72450416	1	HOSE 1X 50MM CUT TO LENGTH	L=120 DIN73411-35X
16	72399872	1	RUBBER ARCH	
17	72311167	2	HOSE CLIP	
18	72435869	1	RUBBER ARCH	
19	72311166	4	HOSE CLIP	
20	72404925	1	CAP	
21	72311166	1	HOSE CLIP	
22	72393672	1	REDUCER	
23	72357308	1	SUCTION LINE	
24	72315802	1	SCREW	DIN 7604 AM22X1,5-ST
25	72315101	2	SEALING WASHER	DIN 7603 A22X27-CU
26	72395412	1	RUBBER ARCH	
27	72396303	1	PIPE	
28	72450412	1	HOSE 1X 50MM CUT TO LENGTH	L=1000 18X3,5 R DIN 73411
30	72332586	1	COOLANT LINE F198	
31	72337051	2	PIPE CLAMP	
32	72332467	2	PLATE LINK	
33	72315630	2	HEXAGONAL HEAD BOLT	DIN 933 M6X18-8.8A3L
34	72315052	2	SPLIT WASHER	FWN 65208-6-A3L
35	72374403	2	HEXAGONAL HEAD BOLT	DIN 933 M6X10-8.8

FARMER 311 (198/00001-05000)
3062



Item	Part Number	Qty	Description Comments	Technical Specification
1	72357095	1	FUEL TANK <>	
	72315619	10	HEXAGONAL HEAD BOLT	DIN 933 M5X16-8.8A3L
	72376017	2	SEALING WASHER	DIN 7603-A5X7,5-CU
	72376018	10	SEALING WASHER	DIN 7603 A5X9-VF
	72409022	2	FLANGE	
	72376132	2	SEALING WASHER	
2	72433112	1	STRAINER	60X100-MS
3	72380143	1	FUEL CAP ><3-4 KOEHLER	M.BELUEF
	72348297	1	FUEL CAP ><3-5 BLAU	
4	72312304	1	RUBBER SEAL KOEHLER	
	72330725	1	SEAL BLAU	
5	72330726	1	SEAL BLAU	
6	72613427	1	FUEL LEVEL SENSOR ><7	
7	72315169	1	SEALING WASHER	
8	72357092	1	TANK FRAME	
9	72315626	10	HEXAGONAL HEAD BOLT	DIN 933-M6 X 16-8.8-A3L
10	72311822	16	DISC	DIN9021-6,4-140HV-A3L
11	72317120	10	SPRING WASHER	DIN 137 B6-MECH.VZK
12	72313266	10	NUT	DIN 934 M6-8A3L
13	72315719	2	HEXAGONAL HEAD BOLT	DIN 933 M12X60-8.8A3L
14	72313325	2	NUT	DIN 980-VM12-8-A3L
15	72355440	1	BRACKET	
16	72355441	1	BRACKET	
17	72357063	2	BEARING	
18	72310644	4	RUBBER BUSHING	
19	72404932	2	BEARING PIN	
20	72311183	2	HAIR COTTER PIN	DIN 11024-4-A3L
21	72393681	1	BEARING PIN	
22	72315653	4	HEXAGONAL HEAD BOLT	DIN 933 M8 X 25-8.8A3L
23	72313268	4	NUT	DIN 934 M8-8A3L
24	72317121	10	SPRING WASHER	DIN 137 B8-MECH.VZK
25	72315642	8	HEXAGONAL HEAD BOLT	DIN 933 M8 X 16-8.8A3L
26	72396304	2	ANGLE	
27	72357310	1	RETAINER	
28	72357309	1	BEARING	
29	72315653	2	HEXAGONAL HEAD BOLT	DIN 933 M8 X 25-8.8A3L
30	72395911	1	SHEET METAL	
31	72379152	1	CABLE BUSHING	HV1305

FARMER 311 (198/00001-05000)
31052



031052

Item	Part Number	Qty	Description Comments	Technical Specification
1	72357311	1	RETAINER	
2	72399913	1	HOLDER	
3	72317122	2	SPRING WASHER	DIN 137 B10-MECH.VZK
4	72315689	1	HEXAGONAL HEAD BOLT	DIN 933 M10X35-8.8A3L
5	72315691	1	HEXAGONAL HEAD BOLT	DIN 933 M10X40-8.8A3L
6	72315657	2	HEXAGONAL HEAD BOLT	DIN 933 M8 X 30-8.8A3L
7	72317121	2	SPRING WASHER	DIN 137 B8-MECH.VZK
8	72311824	4	DISC	DIN9021-8,4-140HV-A3L
9	72348657	1	TUBING	
10	72311241	3	PIPE CLAMP	
11	72313266	5	NUT	DIN 934 M6-8A3L
12	72317120	5	SPRING WASHER	DIN 137 B6-MECH.VZK
13	72315626	1	HEXAGONAL HEAD BOLT	DIN 933-M6 X 16-8.8-A3L
14	72315637	2	HEXAGONAL HEAD BOLT	DIN 933 M6X45-8.8A3L
15	72398941	2	FASTENING COLLAR	
16	72311822	4	DISC	DIN9021-6,4-140HV-A3L
17	72315631	2	HEXAGONAL HEAD BOLT	DIN 933 M6 X 20-8.8A3L
18	72380159	1	FUEL SHUT-OFF VALVE	
19	72315093	1	SEALING WASHER	DIN 7603 A12X18-CU
20	72315095	5	SEALING WASHER	DIN 7603 A14X20-CU
21	72315095	6	SEALING WASHER	DIN 7603 A14X20-CU
22	72315808	3	BANJO BOLT	DIN 7643-10-3-A3L
23	72315808	2	BANJO BOLT	DIN 7643-10-3-A3L
24	72315095	2	SEALING WASHER	DIN 7603 A14X20-CU
25	72315799	2	PLUG	DIN 7604 AM14X1,5-A3L
26	72356760	1	FUEL LINE	
27	72355537	1	FUEL LINE	
28	72615599	1	FILTER LID ><29,30	
29	72323290	1	BLEED SCREW	
30	72315084	1	SEALING WASHER	DIN 7603 A6X10-CU
31	72416928	1	FILTER BOX ><32	
32	72314995	1	RUBBER RING	
33	72380173	1	PARALLEL FILTER BOSCH ><33-38 <-- X810.190.166.000 1X <>	
	72416928	2	FILTER BOX	
	72451307	1	COVER KNECHT ><34,35 <>	PARALLELFILT.
	72416928	2	FILTER BOX	
34	72323290	2	BLEED SCREW BOSCH	
	72314699	2	BLEED SCREW KNECHT	
35	72315084	2	SEALING WASHER BOSCH	DIN 7603 A6X10-CU
	72315086	2	SEALING WASHER KNECHT	DIN 7603 A8X11,5-CU
36	72326250	1	SCREW BOSCH	
37	72315095	1	SEALING WASHER BOSCH	DIN 7603 A14X20-CU
38	72416928	2	FILTER BOX ><39	
39	72314995	2	RUBBER RING	
40	72380174	2	SCREW	
41	72340112	1	LEAKAGE OIL LINE	
42	72315809	6	BANJO BOLT	DIN 7643-4-5-A3L
43	72315086	12	SEALING WASHER	DIN 7603 A8X11,5-CU

Fendt

FARMER 311 (198/00001-05000)

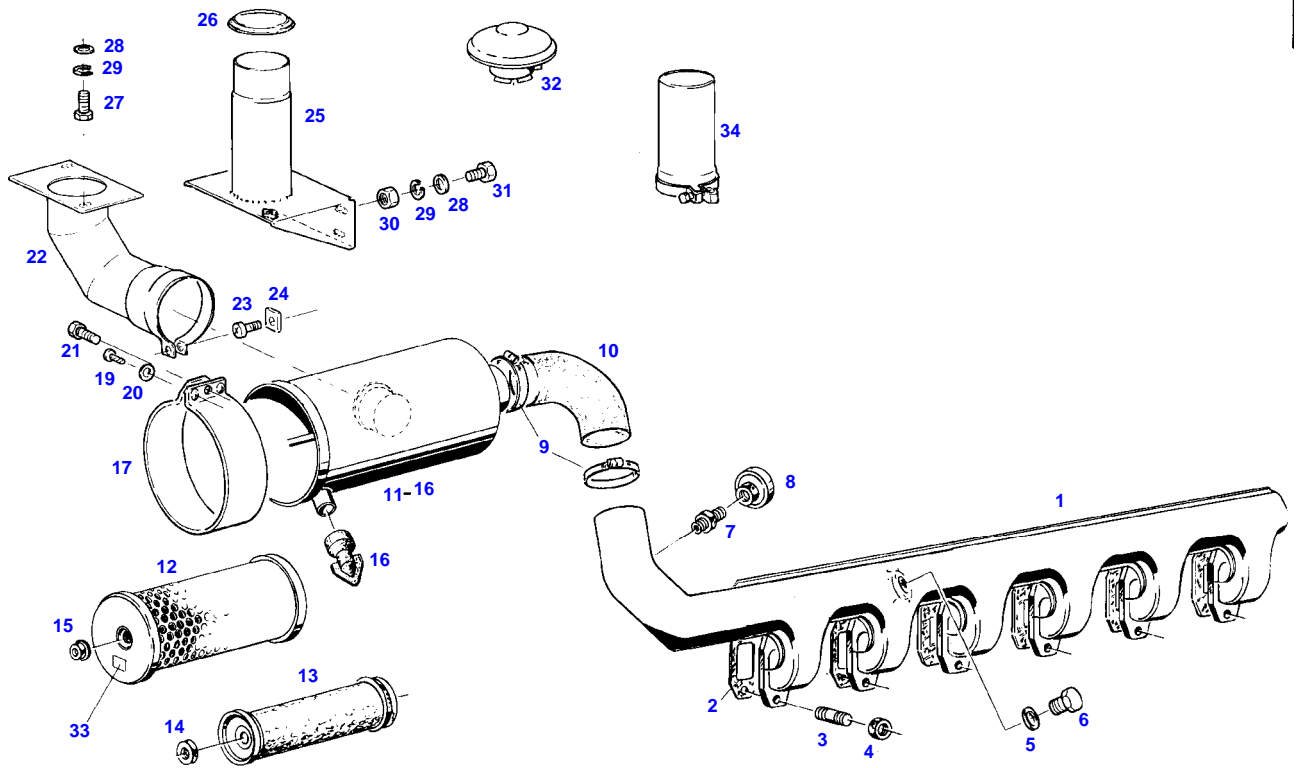
F198000

FUEL LINES

Page01-0008

Item	Part Number	Qty	Description Comments	Technical Specification
44	72435830	1	PRESSURE HOSE 1150 MM CUT TO LENGTH	L=2100
45	72438345	2	HOSE CLIP	
46	72393682	1	MARKING PLATE	
50	72374490	2	HEXAGONAL HEAD BOLT	DIN 933 M14X20-8.8

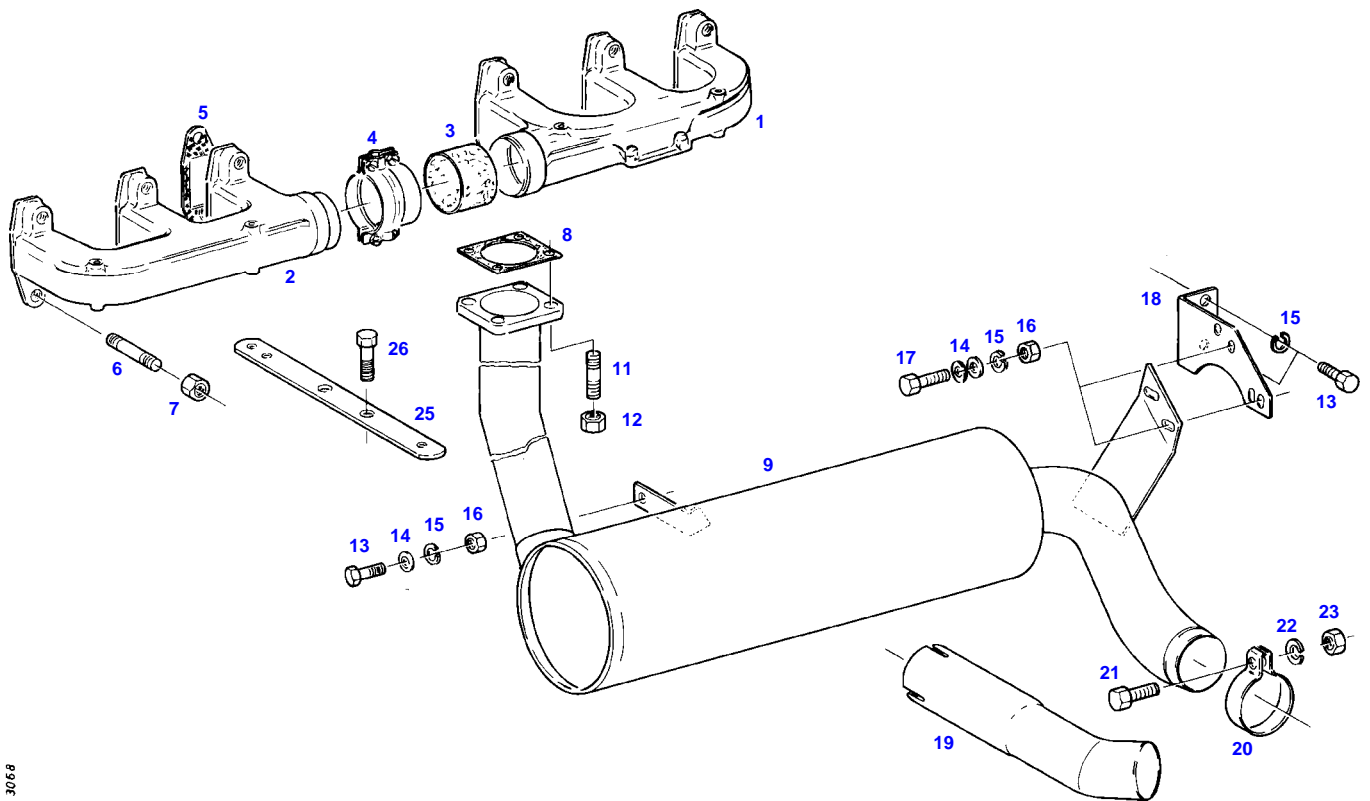
FARMER 311 (198/00001-05000)
3061



3061

Item	Part Number	Qty	Description Comments	Technical Specification
1	72357315	1	INTAKE MANIFOLD	
	72357317	1	INTAKE MANIFOLD WITH AIR BRAKING SYSTEM	
2	72332145	6	MOLDED SEAL	
3	72313776	12	STUD BOLT	DIN 939 M10X25-8.8
4	72373015	12	NUT	DIN70615-M10-8-A3B
5	72376031	1	SEALING WASHER	DIN 7603 A20X24-CU
6	72373975	1	SCREW	DIN 910 M20X1,5-ST
7	72339032	1	THREADED SOCKET --> 198/2916	
8	72316876	1	MAINTENANCE SWITCH --> 198/0698 <> <>	
	72379171	0	WIRE	B1 DIN72551/6.51 SCHWARZ
	72357170	1	CABLE KIT	
	72380356	1	CABLE LUG	
	72314686	1	PLUG IN SLEEVE	
9	72311171	2	HOSE CLIP	
10	72395421	1	RUBBER ARCH	
11	72348611	1	AIR FILTER ><11-16	
	72332518	1	COVER	
12	72332577	1	MICRO-TOP CARTRIDGE	
13	72332126	1	SAFETY CARTRIDGE	
14	72372827	1	NUT	DIN 934 M16X1,5-10A3L
15	72339030	1	COLLAR NUT	
16	72332513	1	DUST DISCHARGE VALVE	
17	72396306	1	CLAMP	
19	72315814	2	SCREW	DIN7976-ST4,8X16-F-A3L
20	72311785	2	DISC	DIN 125-5,3-ST.A3L
21	72315634	1	HEXAGONAL HEAD BOLT	DIN 933 M6X30-8.8A3L
22	72357316	1	PIPE BEND	
23	72374982	1	OVAL HEAD SCREW	DIN 7985 M6X25-4.8A3L
24	72372783	1	SQUARE NUT	DIN 557 M6-5 A3L
25	72357318	1	CONSOLE	
26	72396307	1	SEALING RING	
27	72315650	2	HEXAGONAL HEAD BOLT	DIN 933 M8 X 20-8.8A3L
28	72311788	4	DISC	DIN 125-8,4-ST.A3L
29	72315053	4	SPLIT WASHER	FWN 65208-8-A3L
30	72313268	2	NUT	DIN 934 M8-8A3L
31	72315642	2	HEXAGONAL HEAD BOLT	DIN 933 M8 X 16-8.8A3L
32	72348784	1	RAIN CAP	
33	72390400	1	ABSORPTION INDICATOR	
34	72348666	1	CONNECTING PIPE	

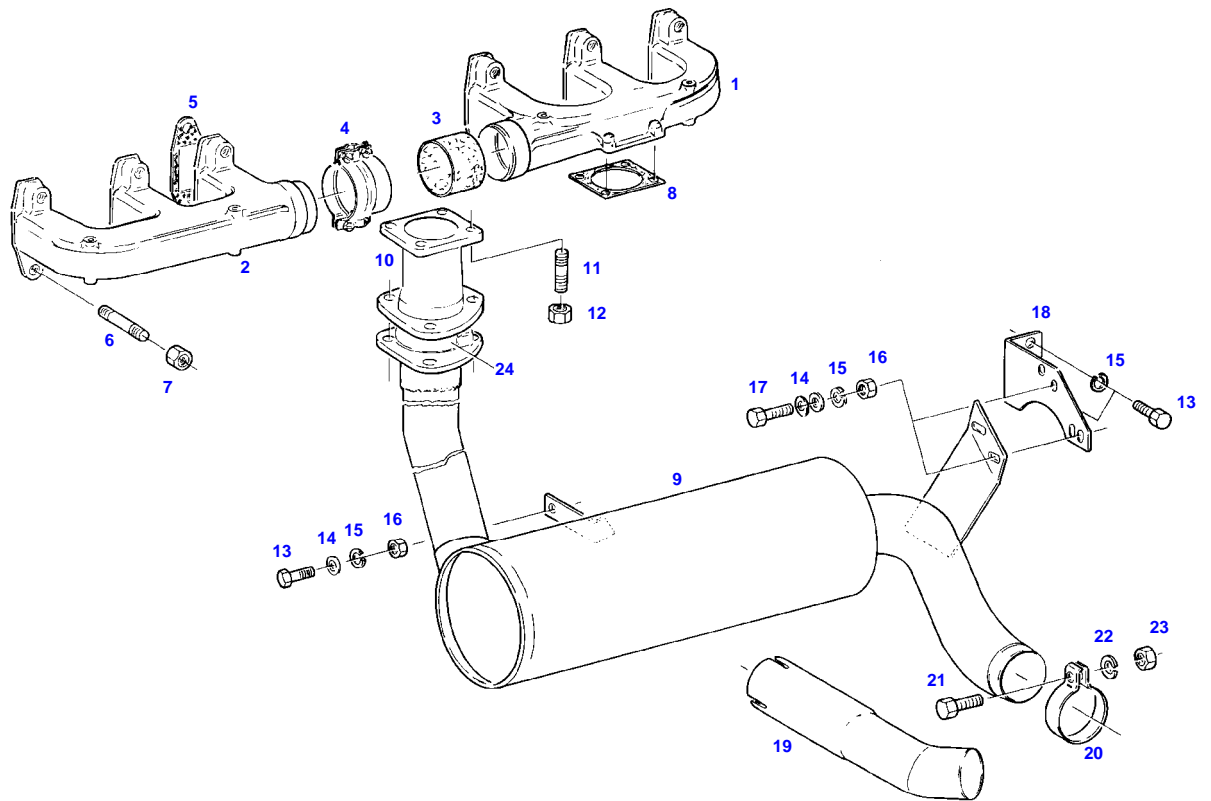
FARMER 311 (198/00001-05000)
3068



3068

Item	Part Number	Qty	Description Comments	Technical Specification
1	72331547	1	EXHAUST HALF	
2	72331546	1	EXHAUST HALF	
3	72331548	1	ASBESTOS-RING	
4	72331550	1	CRIMPED CLIP	
5	72332145	6	MOLDED SEAL	
6	72374647	12	STUD BOLT	DIN 939-M10X40-8.8
7	72373015	12	NUT	DIN70615-M10-8-A3B
8	72331323	1	SQUARE SEAL	
9	72357326	1	EXHAUST MUFFLER	
11	72313776	4	STUD BOLT	DIN 939 M10X25-8.8
12	72373015	4	NUT	DIN70615-M10-8-A3B
13	72315642	3	HEXAGONAL HEAD BOLT	DIN 933 M8 X 16-8.8A3L
14	72311788	5	DISC	DIN 125-8,4-ST.A3L
15	72315053	5	SPLIT WASHER	FWN 65208-8-A3L
16	72313268	3	NUT	DIN 934 M8-8A3L
17	72315646	2	HEXAGONAL HEAD BOLT	DIN 933 M8X18-8.8A3L
18	72396312	1	RETAINING BRACKET	
19	72396310	1	EXHAUST TAILPIPE	
20	72373441	1	PIPE CLAMP	DIN71555-75,5-A4C
21	72315685	1	HEXAGONAL HEAD BOLT	DIN 933 M10X30-8.8A3L
22	72315054	1	SPLIT WASHER	FWN 65208-10-A3L
23	72313272	1	NUT	DIN 934 M10-8A3L
25	72396713	1	RETAINER	
26	72315679	2	HEXAGONAL HEAD BOLT	DIN 933 M10X20-8.8A3L

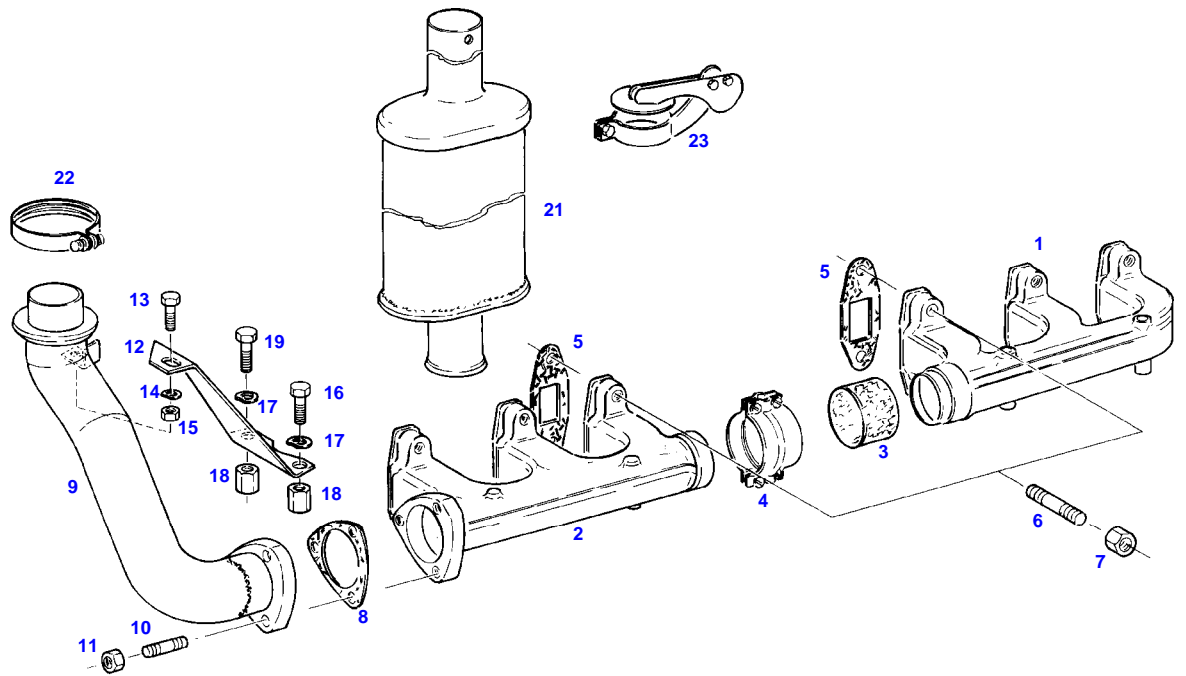
FARMER 311 (198/00001-05000)
3071



3071

Item	Part Number	Qty	Description Comments	Technical Specification
ENGINE BRAKE				
1	72331547	1	EXHAUST HALF	
2	72331546	1	EXHAUST HALF	
3	72331548	1	ASBESTOS-RING	
4	72331550	1	CRIMPED CLIP	
5	72332145	6	MOLDED SEAL	
6	72374647	12	STUD BOLT	DIN 939-M10X40-8.8
7	72373015	12	NUT	DIN70615-M10-8-A3B
8	72331323	1	SQUARE SEAL	
9	72357329	1	EXHAUST MUFFLER	
10	72407297	1	INTERMEDIATE PIECE	
11	72313776	4	STUD BOLT	DIN 939 M10X25-8.8
12	72373015	4	NUT	DIN70615-M10-8-A3B
13	72315642	3	HEXAGONAL HEAD BOLT	DIN 933 M8 X 16-8.8A3L
14	72311788	5	DISC	DIN 125-8,4-ST.A3L
15	72315053	5	SPLIT WASHER	FWN 65208-8-A3L
16	72313268	3	NUT	DIN 934 M8-8A3L
17	72315646	2	HEXAGONAL HEAD BOLT	DIN 933 M8X18-8.8A3L
18	72396312	1	RETAINING BRACKET	
19	72396310	1	EXHAUST TAILPIPE	
20	72373441	1	PIPE CLAMP	DIN71555-75,5-A4C
21	72315685	1	HEXAGONAL HEAD BOLT	DIN 933 M10X30-8.8A3L
22	72315054	1	SPLIT WASHER	FWN 65208-10-A3L
23	72313272	1	NUT	DIN 934 M10-8A3L
24			SEE ENGINE BRAKE	

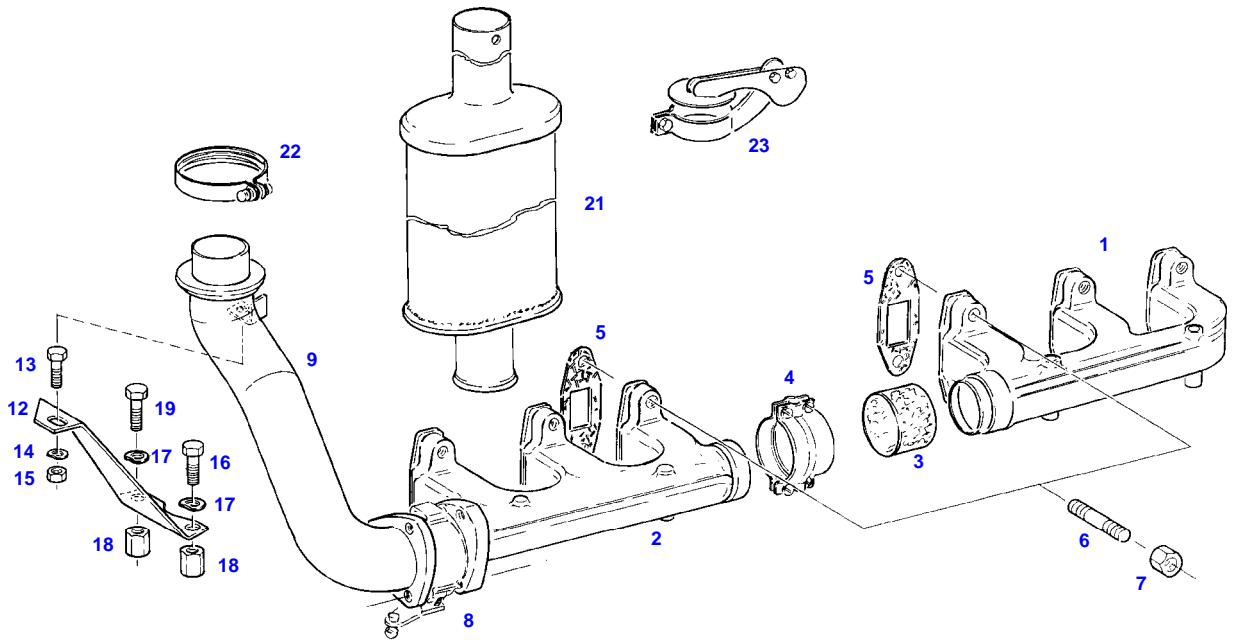
FARMER 311 (198/00001-05000)
3063



3063

Item	Part Number	Qty	Description Comments	Technical Specification
			--> 198/4063	
1	72331546	1	EXHAUST HALF	
2	72340166	1	EXHAUST HALF	
3	72331548	1	ASBESTOS-RING	
4	72331550	1	CRIMPED CLIP	
5	72332145	6	MOLDED SEAL	
6	72374647	12	STUD BOLT	DIN 939-M10X40-8.8
7	72373015	12	NUT	DIN70615-M10-8-A3B
8	72407298	1	MOLDED SEAL	
9	72357324	1	EXHAUST PIPE	
10	72313770	3	STUD BOLT	FWN64891-M8X20-8.8
11	72313269	3	NUT	DIN 934 M8-8C2A
12	72396309	1	RETAINER	
13	72315681	1	HEXAGONAL HEAD BOLT	DIN 933 M10X25-8.8A3L
14	72317122	1	SPRING WASHER	DIN 137 B10-MECH.VZK
15	72313272	1	NUT	DIN 934 M10-8A3L
16	72374490	1	HEXAGONAL HEAD BOLT	DIN 933 M14X20-8.8
17	72375406	2	SPRING WASHER	DIN 137 B14-MECH.VZK GE.CR
18	72331763	2	NUT	
19	72374493	1	HEXAGONAL HEAD BOLT	DIN 933 M14X30-8.8
21	72357323	1	EXHAUST MUFFLER	
22	72311139	1	PROFILE CLIP	
23	72348659	1	EXHAUST WEATHER CAP	
	72348668	1	EXTENSION TUBE	

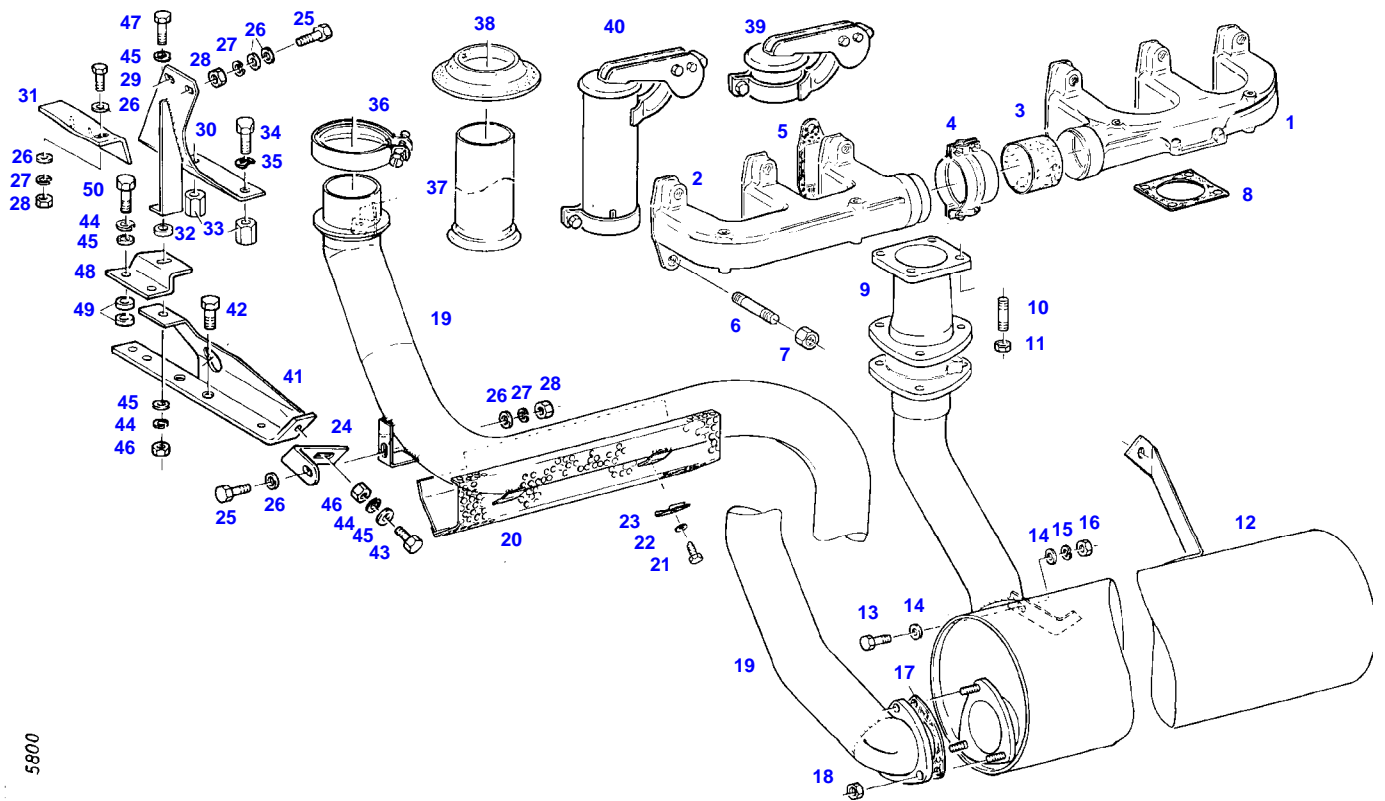
FARMER 311 (198/00001-05000)
3070



3070

Item	Part Number	Qty	Description Comments	Technical Specification
			ENGINE BRAKE --> 198/4063	
1	72331546	1	EXHAUST HALF	
2	72340166	1	EXHAUST HALF	
3	72331548	1	ASBESTOS-RING	
4	72331550	1	CRIMPED CLIP	
5	72332145	6	MOLDED SEAL	
6	72374647	12	STUD BOLT	DIN 939-M10X40-8.8
7	72373015	12	NUT	DIN70615-M10-8-A3B
8				
			SEE ENGINE BRAKE	
9	72357328	1	EXHAUST PIPE	
12	72396309	1	RETAINER	
13	72315681	1	HEXAGONAL HEAD BOLT	DIN 933 M10X25-8.8A3L
14	72317122	1	SPRING WASHER	DIN 137 B10-MECH.VZK
15	72313272	1	NUT	DIN 934 M10-8A3L
16	72374490	1	HEXAGONAL HEAD BOLT	DIN 933 M14X20-8.8
17	72375406	2	SPRING WASHER	DIN 137 B14-MECH.VZK GE.CR
18	72331763	2	NUT	
19	72374491	1	HEXAGONAL HEAD BOLT	DIN 933 M14X25-8.8
21	72357323	1	EXHAUST MUFFLER	
22	72311139	1	PROFILE CLIP	
23	72348659	1	EXHAUST WEATHER CAP	
	72348668	1	EXTENSION TUBE	

FARMER 311 (198/00001-05000)
5800

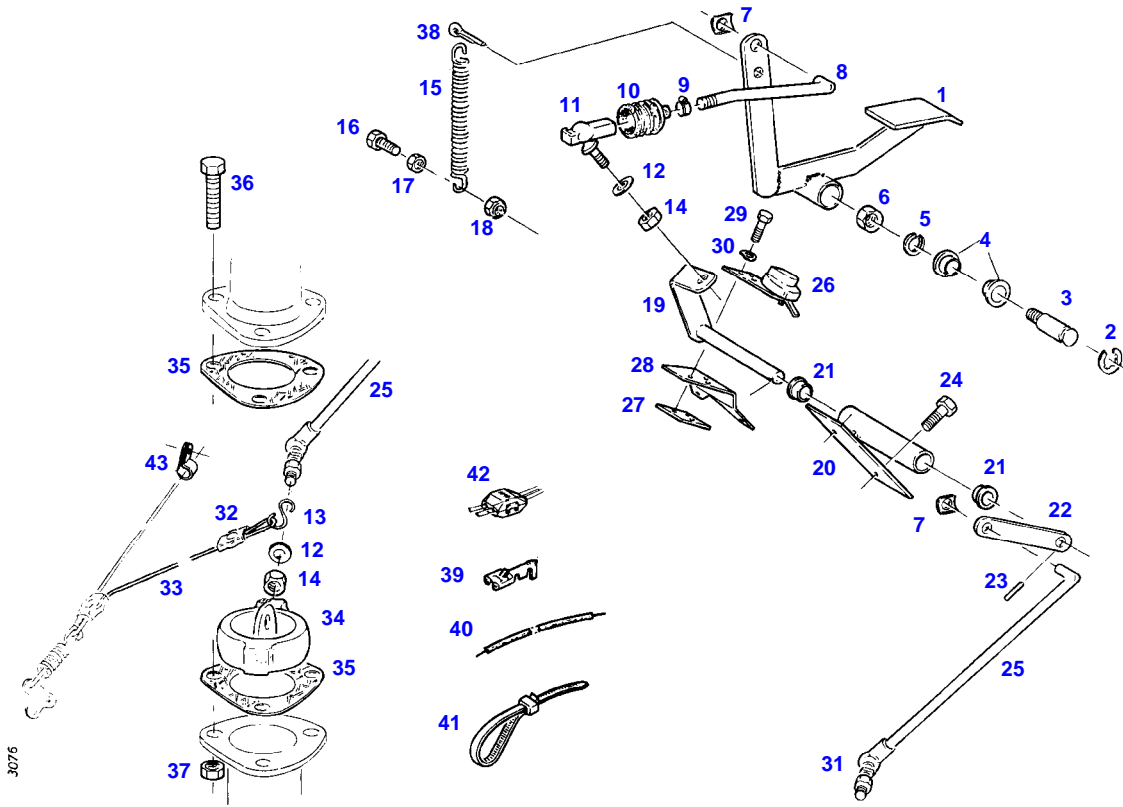


5800

Item	Part Number	Qty	Description Comments	Technical Specification
			<-- 198/4064	
1	72331547	1	EXHAUST HALF	
2	72331546	1	EXHAUST HALF	
3	72331548	1	ASBESTOS-RING	
4	72331550	1	CRIMPED CLIP	
5	72332145	6	MOLDED SEAL	
6	72374647	12	STUD BOLT	DIN 939-M10X40-8.8
7	72373015	12	NUT	DIN70615-M10-8-A3B
8	72331323	1	SQUARE SEAL	
9	72407297	1	INTERMEDIATE PIECE ENGINE BRAKE	
10	72313776	4	STUD BOLT	DIN 939 M10X25-8.8
11	72373015	4	NUT	DIN70615-M10-8-A3B
12	72363446	1	EXHAUST MUFFLER ENGINE BRAKE	
			<>	
	72315657	2	HEXAGONAL HEAD BOLT	DIN 933 M8 X 30-8.8A3L
	72397287	1	RETAINING BRACKET	
	72315053	4	SPLIT WASHER	FWN 65208-8-A3L
	72357778	1	RETAINER	
	72315647	2	HEXAGONAL HEAD BOLT	DIN933-M8X20-8.8A3L-MK
	72313268	4	NUT	DIN 934 M8-8A3L
	72397335	1	HOLDER	
	72311788	4	DISC	DIN 125-8,4-ST.A3L
	72363446	1	EXHAUST MUFFLER WITHOUT ENGINE BRAKE	
			<>	
	72315534	3	HEXAGONAL HEAD BOLT	DIN 931 M8 X 70-8.8
	72397335	1	HOLDER	
	72315647	2	HEXAGONAL HEAD BOLT	DIN933-M8X20-8.8A3L-MK
	72315657	2	HEXAGONAL HEAD BOLT	DIN 933 M8 X 30-8.8A3L
	72313268	4	NUT	DIN 934 M8-8A3L
	72313269	3	NUT	DIN 934 M8-8C2A
	72395941	1	INTERMEDIATE PIECE	
	72315053	4	SPLIT WASHER	FWN 65208-8-A3L
	72397287	1	RETAINING BRACKET	
	72407297	1	INTERMEDIATE PIECE	
	72357778	1	RETAINER	
	72407298	2	MOLDED SEAL	
	72311788	4	DISC	DIN 125-8,4-ST.A3L
13	72315646	1	HEXAGONAL HEAD BOLT	DIN 933 M8X18-8.8A3L
14	72311788	2	DISC	DIN 125-8,4-ST.A3L
15	72315053	1	SPLIT WASHER	FWN 65208-8-A3L
16	72313268	1	NUT	DIN 934 M8-8A3L
17	72407298	1	MOLDED SEAL	
18	72313269	3	NUT	DIN 934 M8-8C2A
19	72425200	1	EXHAUST PIPE	
			<>	
	72396319	1	ANGLE	
20	72357334	1	SHROUD PANEL	
21	72315821	2	SCREW	DIN7976-ST6,3X19-C-A3L
22	72311822	2	DISC	DIN9021-6,4-140HV-A3L
23	72313344	2	SPEED NUT	6,3 ZN PASS
24	72396319	1	ANGLE	
25	72315653	3	HEXAGONAL HEAD BOLT	DIN 933 M8 X 25-8.8A3L
26	72311788	8	DISC	DIN 125-8,4-ST.A3L
27	72315053	4	SPLIT WASHER	FWN 65208-8-A3L
28	72313268	4	NUT	DIN 934 M8-8A3L
29	72315646	1	HEXAGONAL HEAD BOLT	DIN 933 M8X18-8.8A3L
30	72357333	1	RETAINER	
31	72397332	1	ANGLE	
32	72387057	1	RING	
33	72331763	2	NUT	
34	72374490	2	HEXAGONAL HEAD BOLT	DIN 933 M14X20-8.8

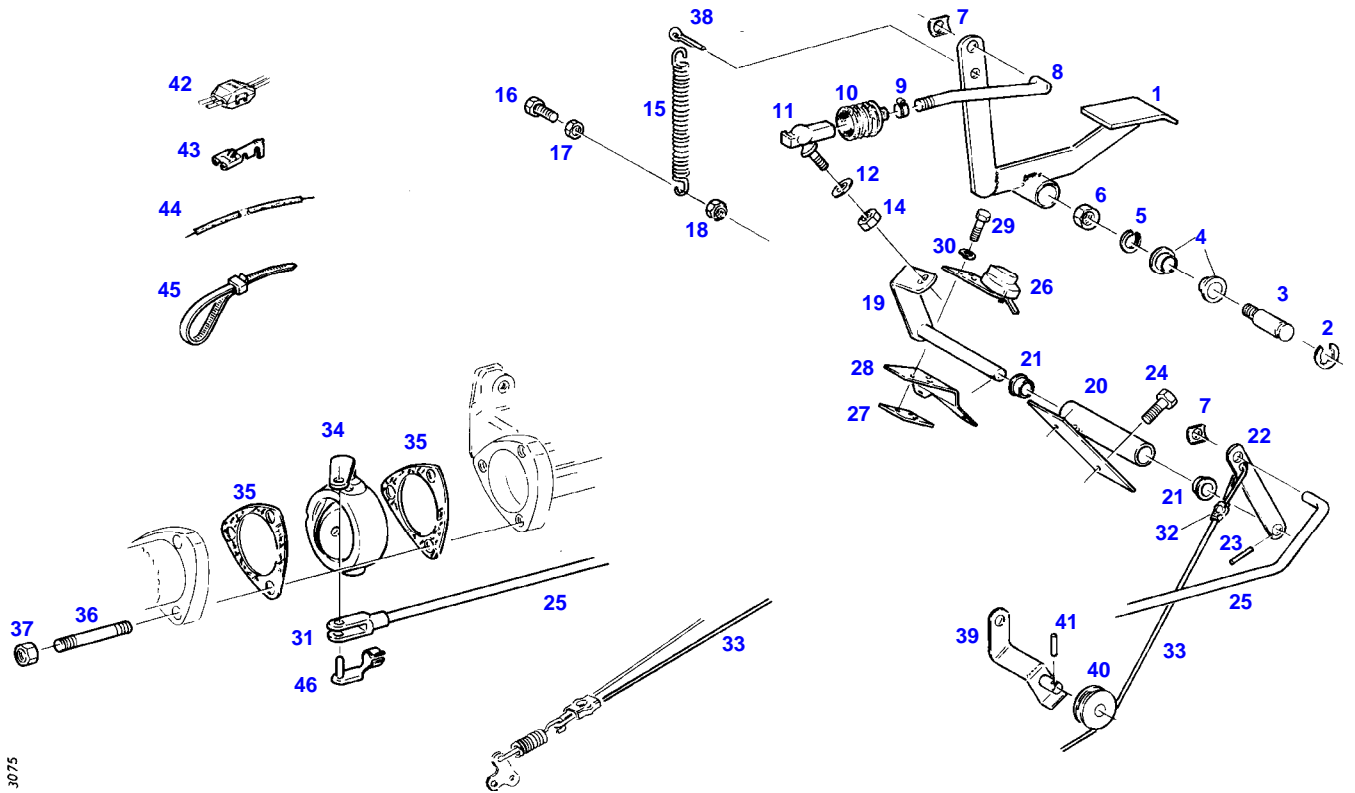
Item	Part Number	Qty	Description Comments	Technical Specification
35	72375406	2	SPRING WASHER	DIN 137 B14-MECH.VZK GE.CR
36	72311139	1	PROFILE CLIP	
37	72357332	1	REAR SILENCER	
38	72396317	1	SEALING CUP	
39	72348669	1	EXHAUST WEATHER CAP	
40	72348670	1	EXTENSION TUBE SWEDEN	
41	72357348	1	RETAINER	
42	72315679	2	HEXAGONAL HEAD BOLT	DIN 933 M10X20-8.8A3L
43	72315653	1	HEXAGONAL HEAD BOLT	DIN 933 M8 X 25-8.8A3L
44	72315053	4	SPLIT WASHER	FWN 65208-8-A3L
45	72311788	5	DISC	DIN 125-8,4-ST.A3L
46	72313268	2	NUT	DIN 934 M8-8A3L
47	72315660	1	HEXAGONAL HEAD BOLT	DIN 933 M8X35-8.8A3L
48	72396339	1	GUSSET PLATE	
49	72392694	4	SPACER SHIM	
50	72315657	2	HEXAGONAL HEAD BOLT	DIN 933 M8 X 30-8.8A3L

FARMER 311 (198/00001-05000)
3076



Item	Part Number	Qty	Description Comments	Technical Specification
			EXHAUST TO BOTTOM --> 198/4063	
1	72356732	1	FOOT LEVER	
2	72317146	1	LOCK WASHER	DIN6799-12-A3L
3	72394196	1	CARRIER	
4	72310596	2	BUSH	
5	72315054	1	SPLIT WASHER	FWN 65208-10-A3L
6	72313272	1	NUT	DIN 934 M10-8A3L
7	72311180	2	DUO-CLIP	8 SXN10
8	72395891	1	ROD	
9	72316916	1	CABLE STRAP	FWN 66650 B175X4-SW
10	72377280	1	BELLOWS	
11	72375269	1	ANGLE JOINT	
12	72311788	2	DISC	DIN 125-8,4-ST.A3L
13	72312621	1	HOOK	
14	72313269	2	NUT	DIN 934 M8-8C2A
15	72394186	1	PULLING SPRING	
16	72315630	1	HEXAGONAL HEAD BOLT	DIN 933 M6X18-8.8A3L
17	72313266	1	NUT	DIN 934 M6-8A3L
18	72313318	1	NUT	DIN6925-M6-8-A3L
19	72357081	1	LEVER	
20	72357761	1	BEARING	
21	72393653	2	BUSH	
22	72395892	1	PLATE LINK	
23	72375133	1	TENSIONING PIN	ISO8752-4X24-A-ST-OB3
24	72315653	2	HEXAGONAL HEAD BOLT	DIN 933 M8 X 25-8.8A3L
25	72396323	1	ROD	
26	72380877	1	ROTARY SWITCH	
27	72394364	1	THREADED PLATE	
28	72396322	1	ANGLE	
29	72315621	3	HEXAGONAL HEAD BOLT	DIN 933 M5X12-8.8A3L
30	72315051	3	SPLIT WASHER	FWN 65208-5-A3L
31	72375277	1	ANGLE JOINT	DIN71802 AS13 SW11-A3L
32	72333529	1	CABLE CLAMP	
33	72450805	1	ROPE 1X 450 MM CUT TO LENGTH	L=1000 DIN 3055-2-FE-ZNK 15
34	72348661	1	ENGINE BRAKE	
35	72407298	2	MOLDED SEAL	
36	72315534	3	HEXAGONAL HEAD BOLT	DIN 931 M8 X 70-8.8
37	72313269	3	NUT	DIN 934 M8-8C2A
38	72313879	1	COTTER	DIN 94-5X20-ST.A3L
39	72314785	1	PLUG IN SLEEVE	
	72314686	2	PLUG IN SLEEVE	
	72316071	2	BUSHING INSULATOR	
40			NO LONGER AVAILABLE	
41	72316916	2	CABLE STRAP	FWN 66650 B175X4-SW
42	72379227	1	CABLE CONNECTOR	
43	72311254	1	PIPE CLAMP	

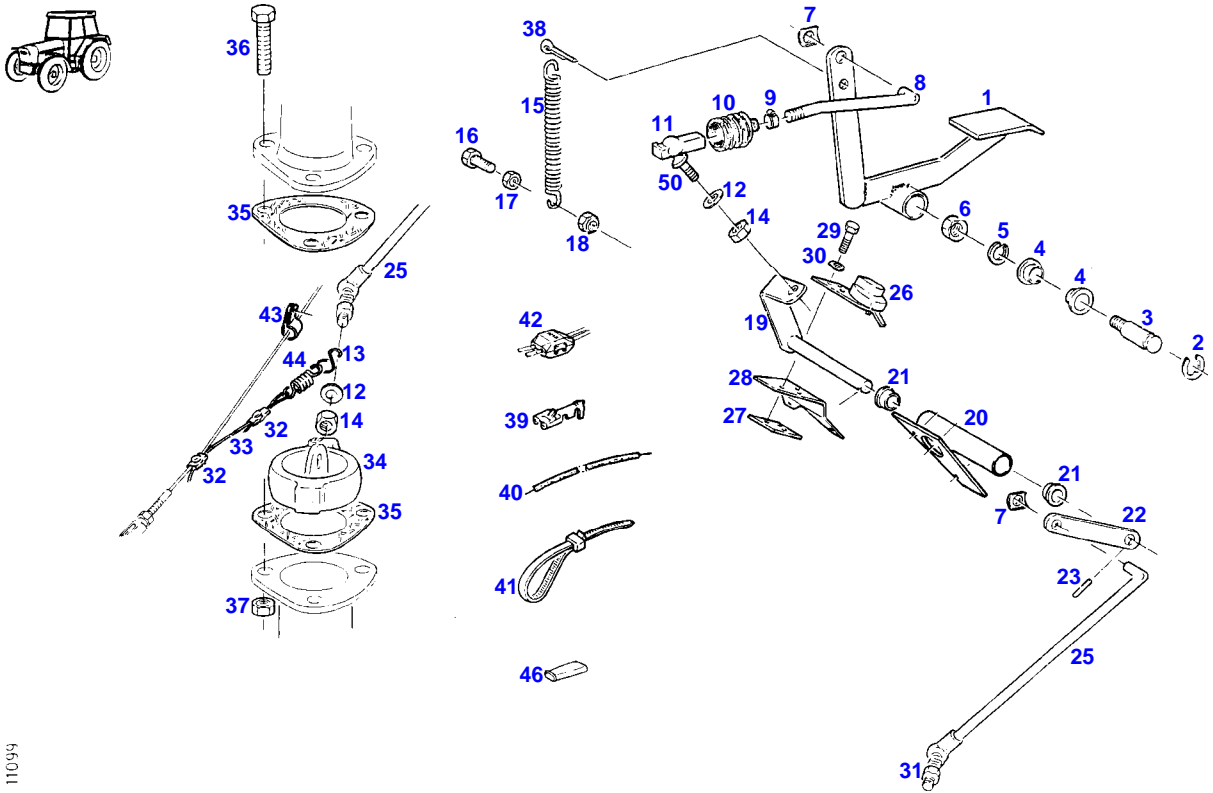
FARMER 311 (198/00001-05000)
3075



3075

Item	Part Number	Qty	Description Comments	Technical Specification
			EXHAUST UPRIGHT --> 198/4063	
1	72356732	1	FOOT LEVER	
2	72317146	1	LOCK WASHER	DIN6799-12-A3L
3	72394196	1	CARRIER	
4	72310596	2	BUSH	
5	72315054	1	SPLIT WASHER	FWN 65208-10-A3L
6	72313272	1	NUT	DIN 934 M10-8A3L
7	72311180	2	DUO-CLIP	8 SXN10
8	72395891	1	ROD	
9	72438345	1	HOSE CLIP	
10	72377280	1	BELLOWS	
11	72375269	1	ANGLE JOINT	
12	72311788	1	DISC	DIN 125-8,4-ST.A3L
14	72313269	1	NUT	DIN 934 M8-8C2A
15	72394186	1	PULLING SPRING	
16	72315630	1	HEXAGONAL HEAD BOLT	DIN 933 M6X18-8.8A3L
17	72313266	1	NUT	DIN 934 M6-8A3L
18	72313318	1	NUT	DIN6925-M6-8-A3L
19	72357336	1	LEVER	
20	72357761	1	BEARING	
21	72393653	2	BUSH	
22	72395892	1	PLATE LINK	
23	72375133	1	TENSIONING PIN	ISO8752-4X24-A-ST-OB3
24	72315653	2	HEXAGONAL HEAD BOLT	DIN 933 M8 X 25-8.8A3L
25	72396321	1	ROD	
26	72380877	1	ROTARY SWITCH	
27	72394364	1	THREADED PLATE	
28	72396322	1	ANGLE	
29	72315621	3	HEXAGONAL HEAD BOLT	DIN 933 M5X12-8.8A3L
30	72315051	3	SPLIT WASHER	FWN 65208-5-A3L
31	72311309	1	CLEVIS	DIN 71752 G8X32-A3L
32	72333529	1	CABLE CLAMP	
33	72450805	1	ROPE 1X 780 MM CUT TO LENGTH	L=1000 DIN 3055-2-FE-ZNK 15
34	72348660	1	ENGINE BRAKE	
35	72407298	2	MOLDED SEAL	
36	72374632	3	STUD BOLT	DIN 939 M8X55-8.8
37	72313269	3	NUT	DIN 934 M8-8C2A
38	72313879	1	COTTER	DIN 94-5X20-ST.A3L
39	72357337	1	RETAINER	
40	72315323	1	CABLE SHEAVE	
41	72313796	1	TENSIONING PIN	ISO8752-3X18-A-ST-OB3 FWN10256
42	72379227	1	CABLE CONNECTOR	
43	72314785	1	PLUG IN SLEEVE	
	72314686	2	PLUG IN SLEEVE	
	72316071	2	BUSHING INSULATOR	
44			NO LONGER AVAILABLE	
45	72316916	2	CABLE STRAP	FWN 66650 B175X4-SW
46	72372473	1	BOLT	FWN 64072 8X32 A3L

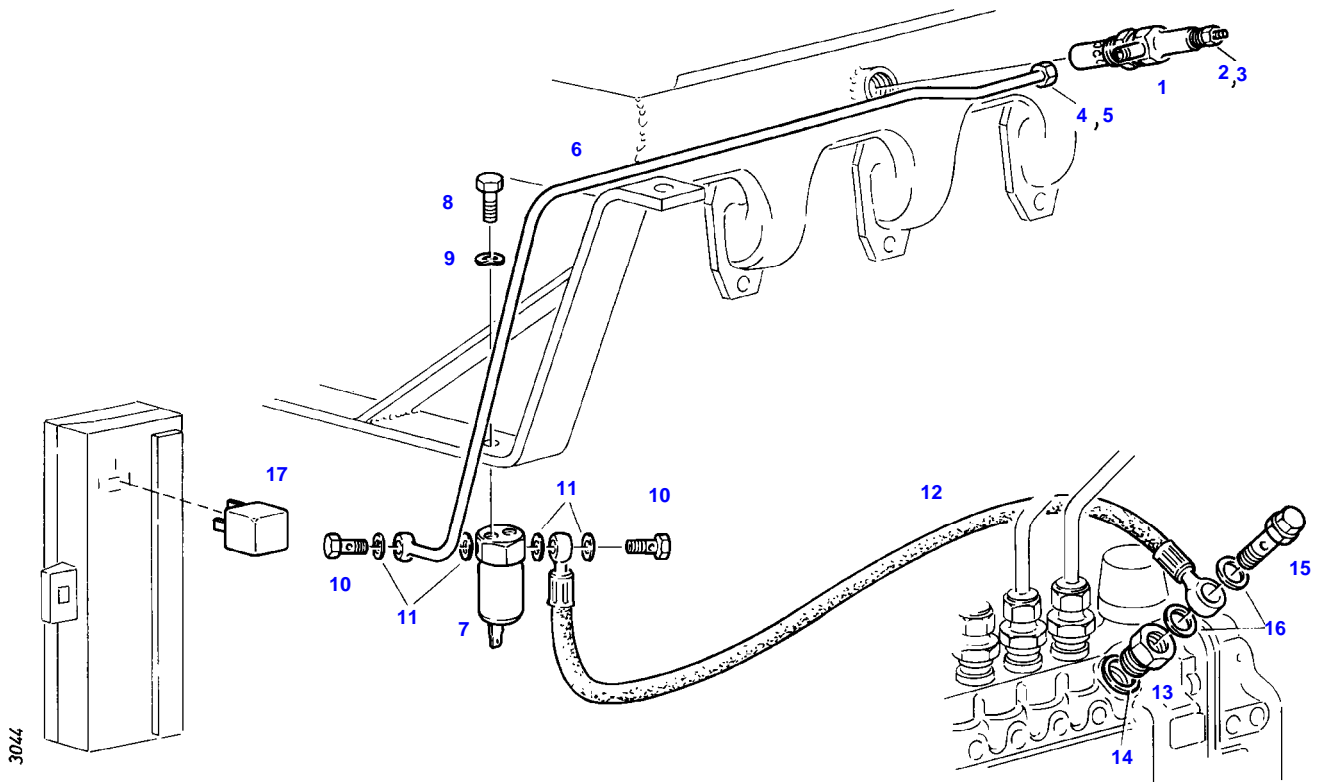
FARMER 311 (198/00001-05000)
11099



11099

Item	Part Number	Qty	Description Comments	Technical Specification
			<-- 198/4064	
1	72356732	1	FOOT LEVER	
2	72317146	1	LOCK WASHER	DIN6799-12-A3L
3	72394196	1	CARRIER	
4	72310596	2	BUSH	
5	72315054	1	SPLIT WASHER	FWN 65208-10-A3L
6	72313272	1	NUT	DIN 934 M10-8A3L
7	72311180	2	DUO-CLIP	8 SXN10
8	72395891	1	ROD	
9	72316916	1	CABLE STRAP	FWN 66650 B175X4-SW
10	72377280	1	BELLOWS	
11	72316306	1	BALL SOCKET	13SXN03R
12	72311788	2	DISC	DIN 125-8,4-ST.A3L
13	72312621	1	HOOK	
14	72313269	2	NUT	DIN 934 M8-8C2A
15	72394186	1	PULLING SPRING	
16	72315630	1	HEXAGONAL HEAD BOLT	DIN 933 M6X18-8.8A3L
17	72313266	1	NUT	DIN 934 M6-8A3L
18	72313318	1	NUT	DIN6925-M6-8-A3L
19	72357081	1	LEVER	
20	72357761	1	BEARING	
21	72393653	2	BUSH	
22	72395892	1	PLATE LINK	
23	72375133	1	TENSIONING PIN	ISO8752-4X24-A-ST-OB3
25	72396323	1	ROD	
26	72380877	1	ROTARY SWITCH	
27	72394364	1	THREADED PLATE	
28	72396322	1	ANGLE	
29	72315621	3	HEXAGONAL HEAD BOLT	DIN 933 M5X12-8.8A3L
30	72315051	3	SPLIT WASHER	FWN 65208-5-A3L
31	72375277	1	ANGLE JOINT	DIN71802 AS13 SW11-A3L
32	72333529	2	CABLE CLAMP	
33	72450805	1	ROPE 1X 450 MM CUT TO LENGTH	L=1000 DIN 3055-2-FE-ZNK 15
34	72348661	1	ENGINE BRAKE	
35	72407298	2	MOLDED SEAL	
36	72315534	3	HEXAGONAL HEAD BOLT	DIN 931 M8 X 70-8.8
37	72313269	3	NUT	DIN 934 M8-8C2A
38	72313879	1	COTTER	DIN 94-5X20-ST.A3L
39	72314785	1	PLUG IN SLEEVE	
	72314686	2	PLUG IN SLEEVE	
40			NO LONGER AVAILABLE	
41	72316916	2	CABLE STRAP	FWN 66650 B175X4-SW
42	72379227	1	CABLE CONNECTOR	
43	72311254	1	PIPE CLAMP	
44	72316492	1	PULLING SPRING	
46	72316071	2	BUSHING INSULATOR	
50	72313853	1	BALL PIN	DIN 71803-C13-ST-A3L

FARMER 311 (198/00001-05000)
3044



3044

Item	Part Number	Qty	Description Comments	Technical Specification
1	72433489	1	ROD FLAME GLOW PLUG	
2	72317119	1	SPRING WASHER	DIN 137 B5-MECH.VZK
3	72313264	1	NUT	DIN 934 M5-8A3L
4	72377312	1	DOUBLE V-RING	DIN 3862-6-9SMNPB28K+G
5	72378005	1	CONNECTING NUT	DIN 3870 ALL6-9S20K A3L
6	72357338	1	PIPE	
7	72317090	1	VALVE SOLENOID	
8	72315626	1	HEXAGONAL HEAD BOLT	DIN 933-M6 X 16-8.8-A3L
9	72317120	1	SPRING WASHER	DIN 137 B6-MECH.VZK
10	72315806	2	BANJO BOLT	DIN 7643-6-3-A3L
11	72315088	4	SEALING WASHER	DIN 7603 A10X13,5-CU
12	72356736	1	LINE	
13			NOT USED	
14			NOT USED	
15	72380268	1	BLEED AND DRAIN VALVE	
16	72315094	2	SEALING WASHER	DIN 7603 A14X18-CU
17	72428226	1	GLOW TIME RELAY	

Thank you so much for reading.
Please click the “Buy Now!”
button below to download the
complete manual.



After you pay.

You can download the most
perfect and complete manual in
the world immediately.

Our support email:

ebooklibonline@outlook.com