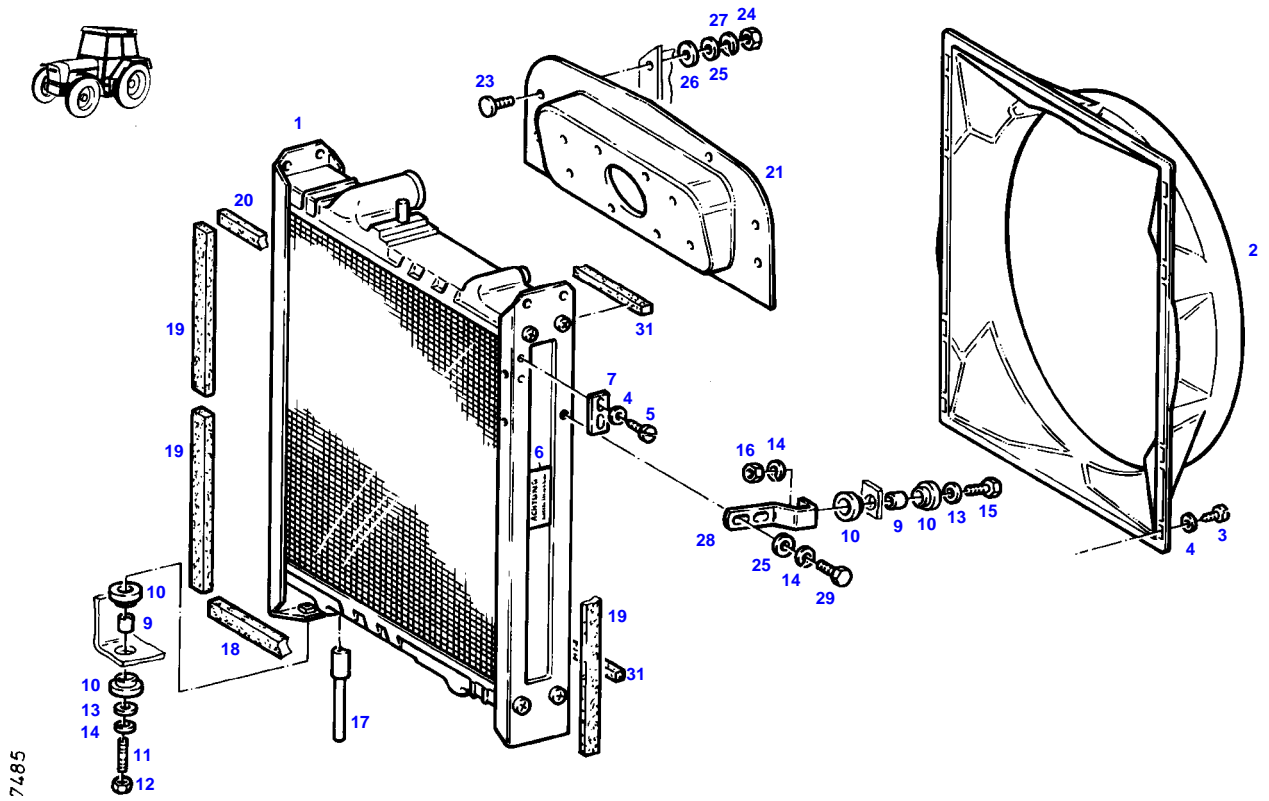


TABLE OF CONTENT

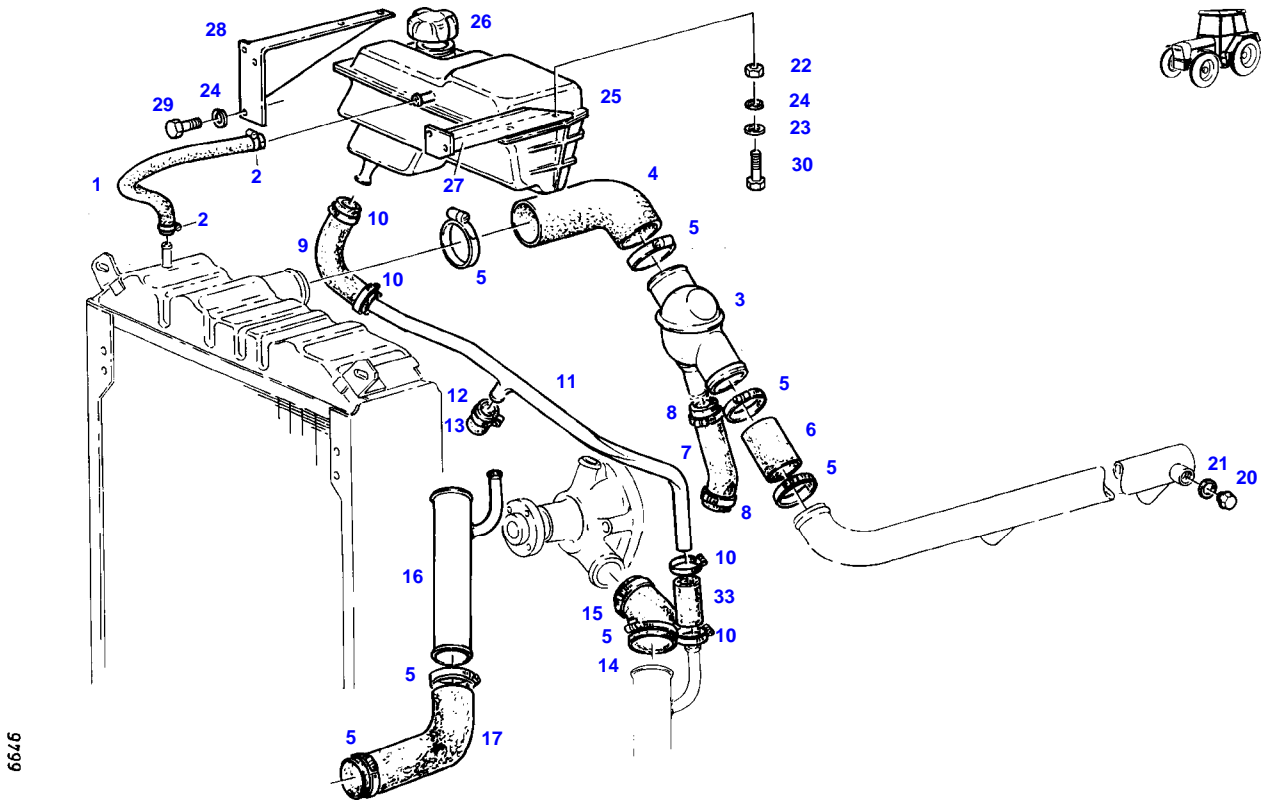
Page Number	Page Title	Page Reference
01-000-TOC	ENGINE, FUEL AND EXHAUST SYSTEM	01-000-TOC
02-000-TOC	AXLES	02-000-TOC
03-000-TOC	STEERING SYSTEM	03-000-TOC
04-000-TOC	DRIVE TRAIN SYSTEM	04-000-TOC
05-000-TOC	COMPRESSED AIR SYSTEM	05-000-TOC
06-000-TOC	HYDRAULIC SYSTEM	06-000-TOC
07-000-TOC	ELECTRICAL SYSTEM	07-000-TOC
08-000-TOC	CAB	08-000-TOC
09-000-TOC	AIR CONDITIONING AND HEATING SYSTEM	09-000-TOC
10-000-TOC	CHASSIS	10-000-TOC
11-000-TOC	WHEELS	11-000-TOC
12-000-TOC	IMPLEMENT LIFT SYSTEM FRONT	12-000-TOC
13-000-TOC	IMPLEMENT LIFT SYSTEM REAR	13-000-TOC
14-000-TOC	FRONT/REAR LOADERS	14-000-TOC
15-000-TOC	ACCESSORIES	15-000-TOC

FARMER 311 (198/07701-99999)
7485



Item	Part Number	Qty	Description Comments	Technical Specification
			<-- 198/20001	
1	72348783	1	RADIATOR ><1	
	72436126	1	DRAIN PLUG	
2	72410558	1	FAN COVER	
3	72315818	8	SCREW	DIN7976-ST4,2X25-C-A3L
4	72311817	12	DISC	DIN9021-4,3-140HV-A3L
5	72374965	4	SCREW	DIN7976-ST4,2X9,5-C-A3L
6	72379109	1	MARKING PLATE	FWN66556-35X68-SCHUTZVORR.N.OE
7	72397311	1	ANGLE	
9	72310718	4	BUSH	
10	72312479	8	UNIVERSAL SPOUT	
11	72313772	2	STUD BOLT	DIN 939 M8X30-8.8
12	72313320	2	NUT	DIN6925-M8-8-A3L
13	72311824	4	DISC	DIN9021-8,4-140HV-A3L
14	72315053	4	SPLIT WASHER	FWN 65208-8-A3L
15	72315660	2	HEXAGONAL HEAD BOLT	DIN 933 M8X35-8.8A3L
16	72313268	2	NUT	DIN 934 M8-8A3L
17	72397310	1	DRAINAGE PIPING	
18	72310182	1	STRAP	
19	72397315	4	STRAP	
20	72397316	1	STRAP	
21	72397306	1	BARRIER WALL	
23	72373806	5	TRUSS HEAD SCREW	DIN 603 M6X16-A3L
24	72313266	5	NUT	DIN 934 M6-8A3L
25	72311787	7	DISC	DIN 125-6,4-ST.A3L
26	72311788	5	DISC	DIN 125-8,4-ST.A3L
27	72315052	5	SPLIT WASHER	FWN 65208-6-A3L
28	72397309	2	HOLDER	
29	72315642	4	HEXAGONAL HEAD BOLT	DIN 933 M8 X 16-8.8A3L
31	72450560	1	SEALING STRIP 2X 470MM CUT TO LENGTH	

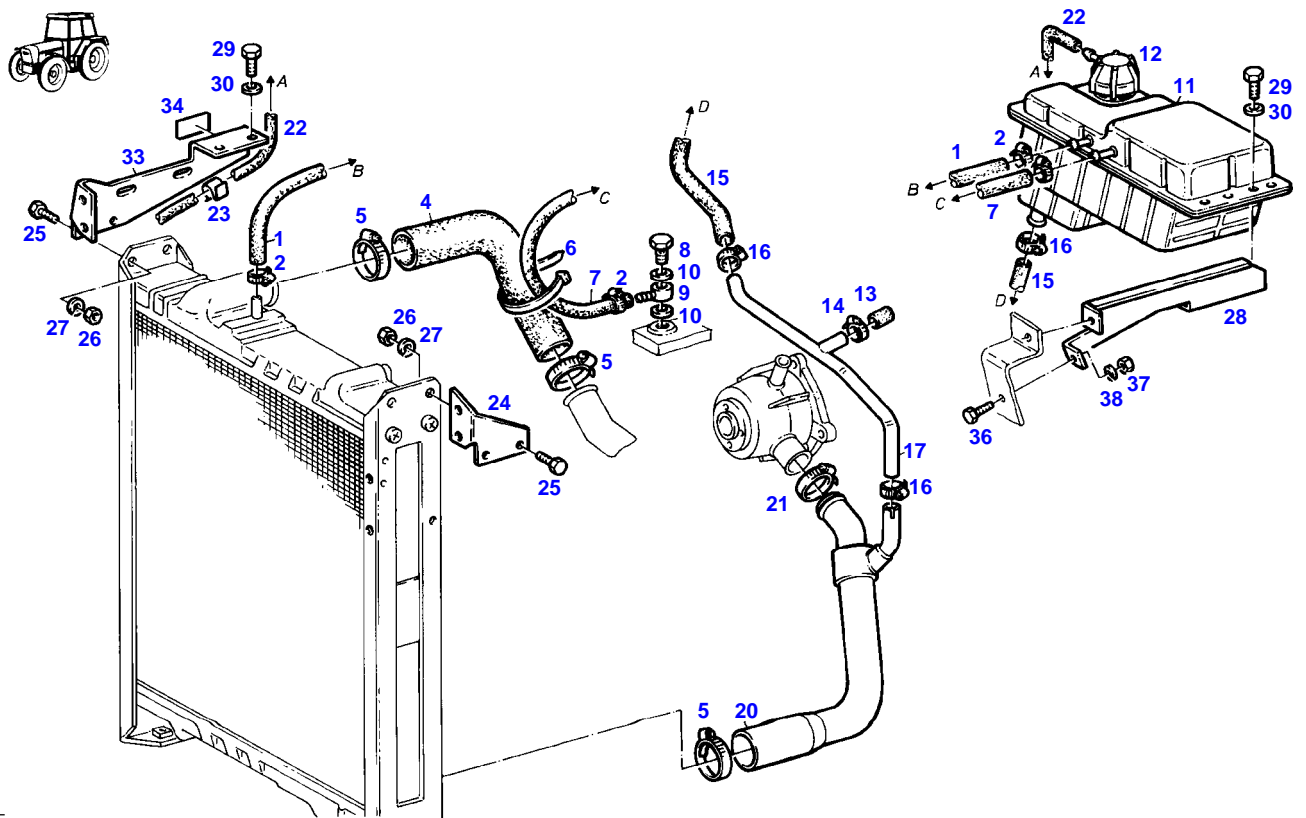
FARMER 311 (198/07701-99999)
6646



9799

Item	Part Number	Qty	Description Comments	Technical Specification
			--> 198/20000	
1	72622024	1	PRESSURE HOSE 300 MM CUT TO LENGTH	L=0,50M 8X3,5-FWN65911
2	72438345	2	HOSE CLIP	
3	72456610	1	THERMOSTAT	
	72343978	1	THERMOSTAT 85 C	
4	72396343	1	RUBBER ARCH	
5	72311163	7	HOSE CLIP	
6	72450417	1	HOSE 60 MM CUT TO LENGTH	L=100 DIN73411-45X5 R
7	72397284	1	RUBBER ARCH	
8	72311167	2	HOSE CLIP	
9	72396345	1	RUBBER ARCH	
10	72311166	4	HOSE CLIP	
11	72357745	1	PIPE	
12	72311166	1	HOSE CLIP	
13	72404925	1	CAP	
14	72397283	1	RUBBER ARCH	
15	72311162	1	HOSE CLIP	
16	72357747	1	SUCTION LINE	
17	72396357	1	RUBBER ARCH	
20	72315802	1	SCREW	DIN 7604 AM22X1,5-ST
21	72315101	2	SEALING WASHER	DIN 7603 A22X27-CU
22	72313266	4	NUT	DIN 934 M6-8A3L
23	72311822	1	DISC	DIN9021-6,4-140HV-A3L
24	72315052	8	SPLIT WASHER	FWN 65208-6-A3L
25	72316897	1	EXPANSION TANK <>	
	72438345	1	HOSE CLIP	
	72409370	1	CAP	
26	72348672	1	COLLER LOCKING	
27	72396353	1	RETAINER	
28	72396355	1	RETAINER	
29	72315629	4	HEXAGONAL HEAD BOLT	DIN 933 M6 X 12-8.8A3L
30	72315820	4	SCREW	DIN7976-ST6,3X13-C-A3L
33	72450412	1	HOSE 1X 50MM CUT TO LENGTH	L=1000 18X3,5 R DIN 73411

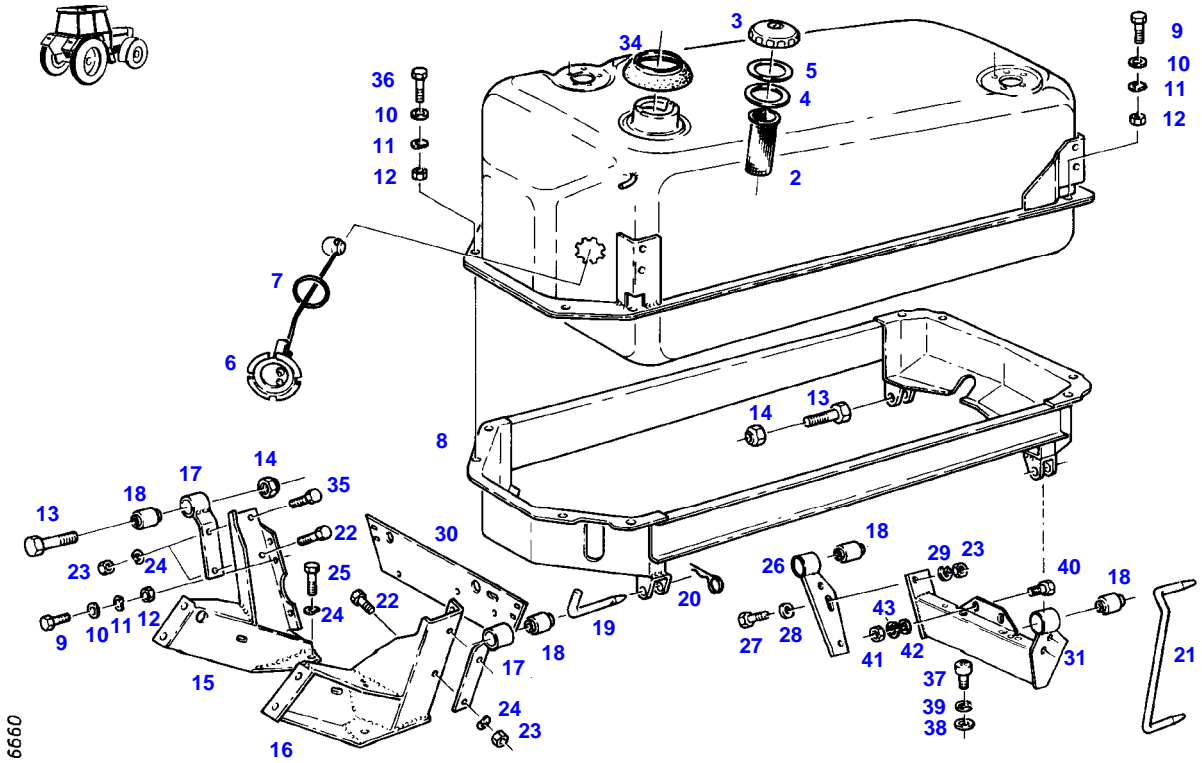
FARMER 311 (198/07701-99999)
7486



7486

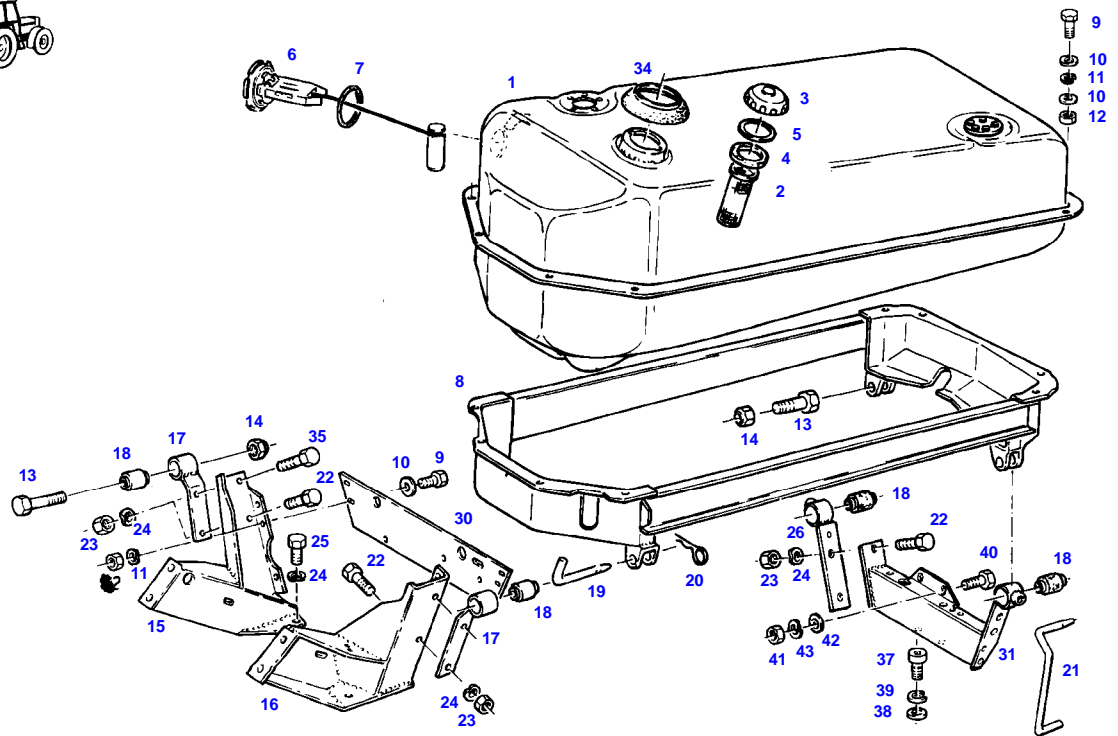
Item	Part Number	Qty	Description Comments	Technical Specification
			<-- 198/20001	
1	72622024	1	PRESSURE HOSE 220 MM CUT TO LENGTH	L=0,50M 8X3,5-FWN65911
2	72438345	4	HOSE CLIP	
4	72397313	1	RUBBER ARCH	
5	72311170	3	HOSE CLIP	
6	72316915	1	CABLE STRAP	FWN 66650 B290X4,8-SW
7	72450289	1	PRESSURE HOSE 540 MM CUT TO LENGTH	L=550 FWN 66041-M4
8	72315806	1	BANJO BOLT	DIN 7643-6-3-A3L
9	72377528	1	RING HOSE NIPPLE	FWN65910-A-DN4
10	72315088	2	SEALING WASHER	DIN 7603 A10X13,5-CU
11	72316897	1	EXPANSION TANK	
12	72310924	1	COLLER LOCKING	
13	72404925	1	CAP	
14	72311166	1	HOSE CLIP	
15	72435840	1	HOSE ARCH	
16	72311166	3	HOSE CLIP	
17	72357764	1	PIPE	
20	72397314	1	COOLANT LINE	
21	72311162	1	HOSE CLIP	
22	72442422	1	HOSE 1100 MM CUT TO LENGTH	L=1500MM
23	72312049	3	HOSE RETAINER	
24	72397308	1	RETAINER	
25	72315642	2	HEXAGONAL HEAD BOLT	DIN 933 M8 X 16-8.8A3L
26	72313268	6	NUT	DIN 934 M8-8A3L
27	72315053	6	SPLIT WASHER	FWN 65208-8-A3L
28	72397312	1	BRACKET	
29	72315821	4	SCREW	DIN7976-ST6,3X19-C-A3L
30	72311822	4	DISC	DIN9021-6,4-140HV-A3L
33	72423219	1	RETAINER	
34	72397318	1	MARKING PLATE	
36	72315629	1	HEXAGONAL HEAD BOLT	DIN 933 M6 X 12-8.8A3L
37	72313266	1	NUT	DIN 934 M6-8A3L
38	72315052	1	SPLIT WASHER	FWN 65208-6-A3L

FARMER 311 (198/07701-99999)
6660



Item	Part Number	Qty	Description Comments	Technical Specification
			--> 198/20000	
1	72357751	1	FUEL TANK <>	
	72315619	10	HEXAGONAL HEAD BOLT	DIN 933 M5X16-8.8A3L
	72409022	2	FLANGE	
	72376132	2	SEALING WASHER	
	72376017	10	SEALING WASHER	DIN 7603-A5X7,5-CU
2	72433112	1	STRAINER	60X100-MS
3	72380143	1	FUEL CAP KOEHLER ><4	M.BELUEF
	72348297	1	FUEL CAP LOCKABLE BLAU ><4+5	
4	72330725	1	SEAL BLAU	
	72312304	1	RUBBER SEAL KOEHLER	
5	72330726	1	SEAL	
6	72613427	1	FUEL LEVEL SENSOR ><7	
7	72315169	1	SEALING WASHER	
8	72357719	1	TANK FRAME	
9	72315626	10	HEXAGONAL HEAD BOLT	DIN 933-M6 X 16-8.8-A3L
10	72311822	20	DISC	DIN9021-6,4-140HV-A3L
11	72317120	10	SPRING WASHER	DIN 137 B6-MECH.VZK
12	72313266	10	NUT	DIN 934 M6-8A3L
13	72315719	2	HEXAGONAL HEAD BOLT	DIN 933 M12X60-8.8A3L
14	72313325	2	NUT	DIN 980-VM12-8-A3L
15	72355440	1	BRACKET	
16	72355441	1	BRACKET	
17	72357100	2	BEARING	
18	72310644	4	RUBBER BUSHING	
19	72404932	2	BEARING PIN	
20	72311183	2	HAIR COTTER PIN	DIN 11024-4-A3L
21	72404936	1	BEARING PIN	
22	72315653	3	HEXAGONAL HEAD BOLT	DIN 933 M8 X 25-8.8A3L
23	72313268	6	NUT	DIN 934 M8-8A3L
24	72317121	10	SPRING WASHER	DIN 137 B8-MECH.VZK
25	72315642	6	HEXAGONAL HEAD BOLT	DIN 933 M8 X 16-8.8A3L
26	72357749	1	SUPPORT ARM	
27	72315660	2	HEXAGONAL HEAD BOLT	DIN 933 M8X35-8.8A3L
28	72311824	2	DISC	DIN9021-8,4-140HV-A3L
29	72315053	2	SPLIT WASHER	FWN 65208-8-A3L
30	72395911	1	SHEET METAL	
31	72357748	1	CROSSMEMBER	
34	72397269	1	SLEEVE	
35	72315657	1	HEXAGONAL HEAD BOLT	DIN 933 M8 X 30-8.8A3L
36	72315631	2	HEXAGONAL HEAD BOLT	DIN 933 M6 X 20-8.8A3L
37	72374066	2	SOCKET HEAD BOLT	DIN 912 M12X20-8.8
38	72311804	2	DISC	DIN 433-13-ST.A3L
39	72375473	2	SPLIT WASHER	FWN65237-12-A3L
40	72315689	2	HEXAGONAL HEAD BOLT	DIN 933 M10X35-8.8A3L
41	72313272	2	NUT	DIN 934 M10-8A3L
42	72311789	2	DISC	DIN 125-10,5-ST.A3L
43	72317122	2	SPRING WASHER	DIN 137 B10-MECH.VZK

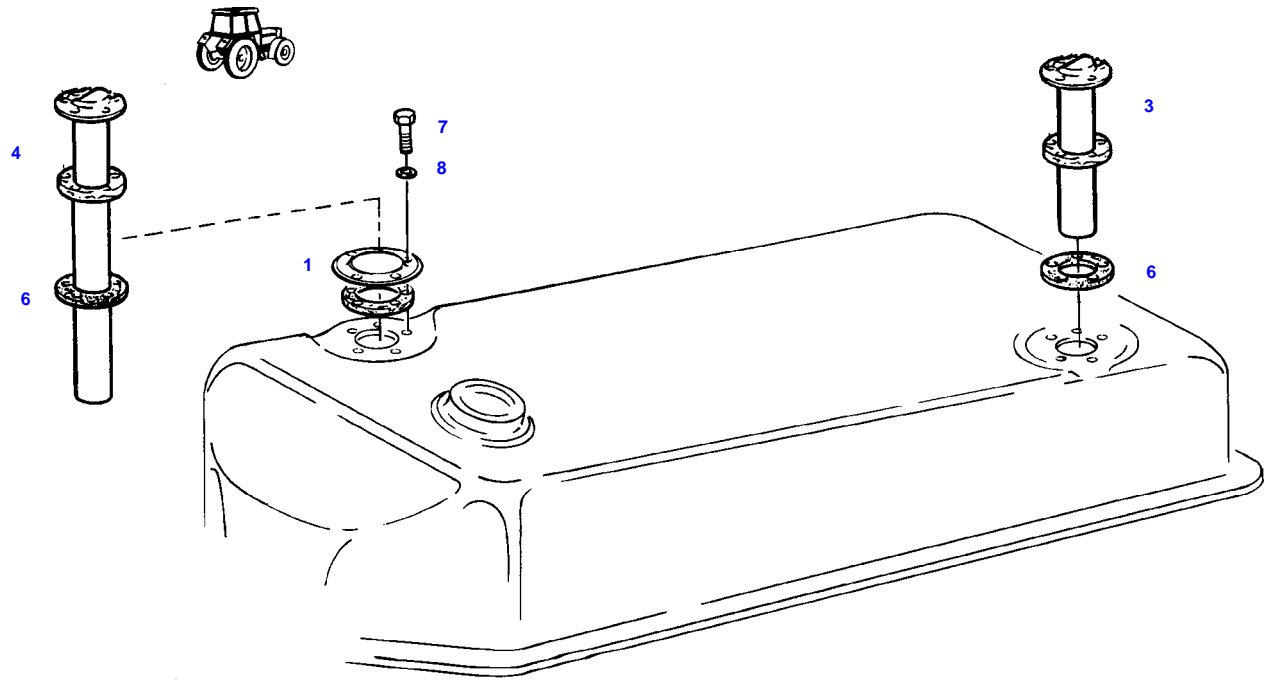
FARMER 311 (198/07701-99999)
7754



7754

Item	Part Number	Qty	Description Comments	Technical Specification
			<-- 198/20001	
1	72357751	1	FUEL TANK <>	
	72376132	2	SEALING WASHER	
	72315619	10	HEXAGONAL HEAD BOLT	DIN 933 M5X16-8.8A3L
	72376017	10	SEALING WASHER	DIN 7603-A5X7,5-CU
	72409022	2	FLANGE	
2	72433112	1	STRAINER	60X100-MS
3	72380143	1	FUEL CAP KOEHLER >>4	M.BELUEF
	72348297	1	FUEL CAP LOCKABLE BLAU >>4+5	
4	72330725	1	SEAL BLAU	
	72312304	1	RUBBER SEAL KOEHLER	
5	72330726	1	SEAL	
6	72613427	1	FUEL LEVEL SENSOR >>7	
7	72315169	1	SEALING WASHER	
8	72357767	1	TANK FRAME	
9	72315626	13	HEXAGONAL HEAD BOLT	DIN 933-M6 X 16-8.8-A3L
10	72311822	20	DISC	DIN9021-6,4-140HV-A3L
11	72317120	13	SPRING WASHER	DIN 137 B6-MECH.VZK
12	72313266	13	NUT	DIN 934 M6-8A3L
13	72315719	2	HEXAGONAL HEAD BOLT	DIN 933 M12X60-8.8A3L
14	72313325	2	NUT	DIN 980-VM12-8-A3L
15	72355440	1	BRACKET	
16	72355441	1	BRACKET	
17	72357100	2	BEARING	
18	72310644	4	RUBBER BUSHING	
19	72407288	2	BEARING PIN	
20	72311183	2	HAIR COTTER PIN	DIN 11024-4-A3L
21	72393681	1	BEARING PIN	
22	72315653	5	HEXAGONAL HEAD BOLT	DIN 933 M8 X 25-8.8A3L
23	72313268	4	NUT	DIN 934 M8-8A3L
24	72317121	10	SPRING WASHER	DIN 137 B8-MECH.VZK
25	72315642	6	HEXAGONAL HEAD BOLT	DIN 933 M8 X 16-8.8A3L
26	72357768	1	SUPPORT ARM	
30	72397321	1	SHEET METAL	
31	72357771	1	CROSSMEMBER	
34	72397269	1	SLEEVE	
35	72315657	1	HEXAGONAL HEAD BOLT	DIN 933 M8 X 30-8.8A3L
37	72374066	2	SOCKET HEAD BOLT	DIN 912 M12X20-8.8
38	72311804	2	DISC	DIN 433-13-ST.A3L
39	72375473	2	SPLIT WASHER	FWN65237-12-A3L
40	72315689	2	HEXAGONAL HEAD BOLT	DIN 933 M10X35-8.8A3L
41	72313272	2	NUT	DIN 934 M10-8A3L
42	72311789	2	DISC	DIN 125-10,5-ST.A3L
43	72317122	2	SPRING WASHER	DIN 137 B10-MECH.VZK

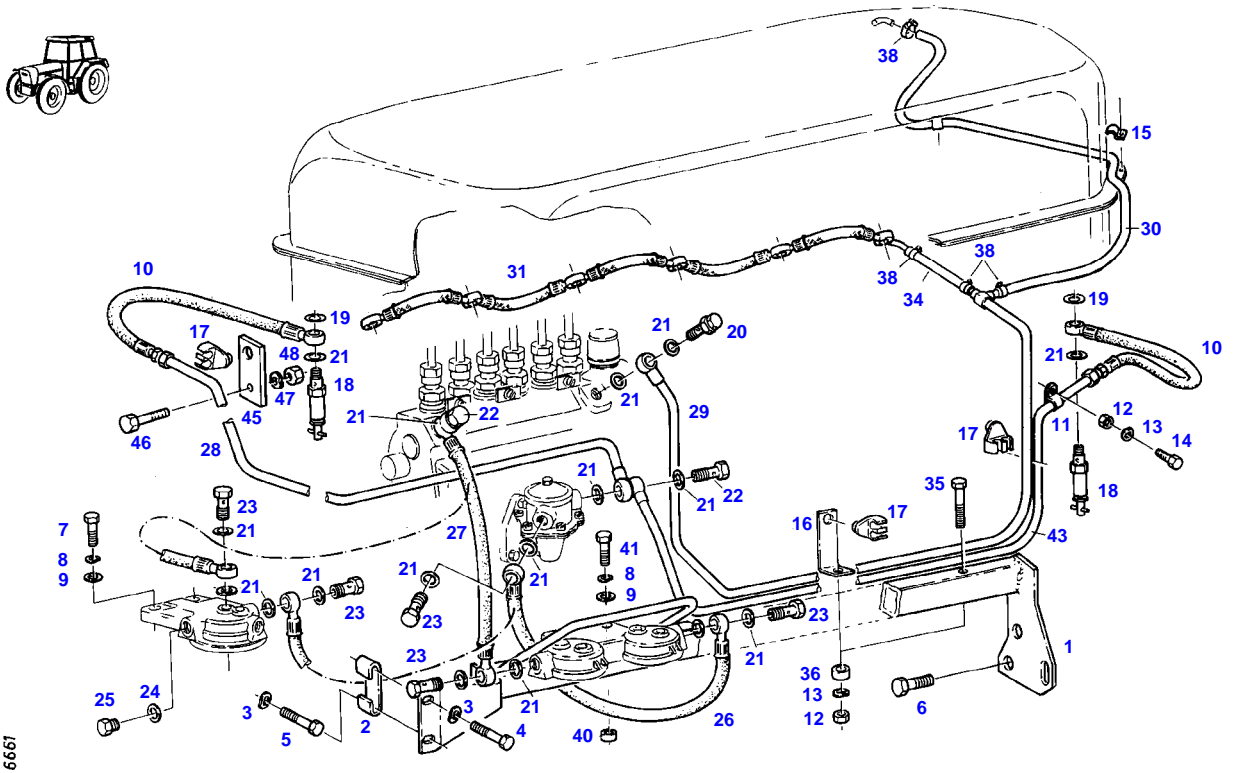
FARMER 311 (198/07701-99999)
6662



6662

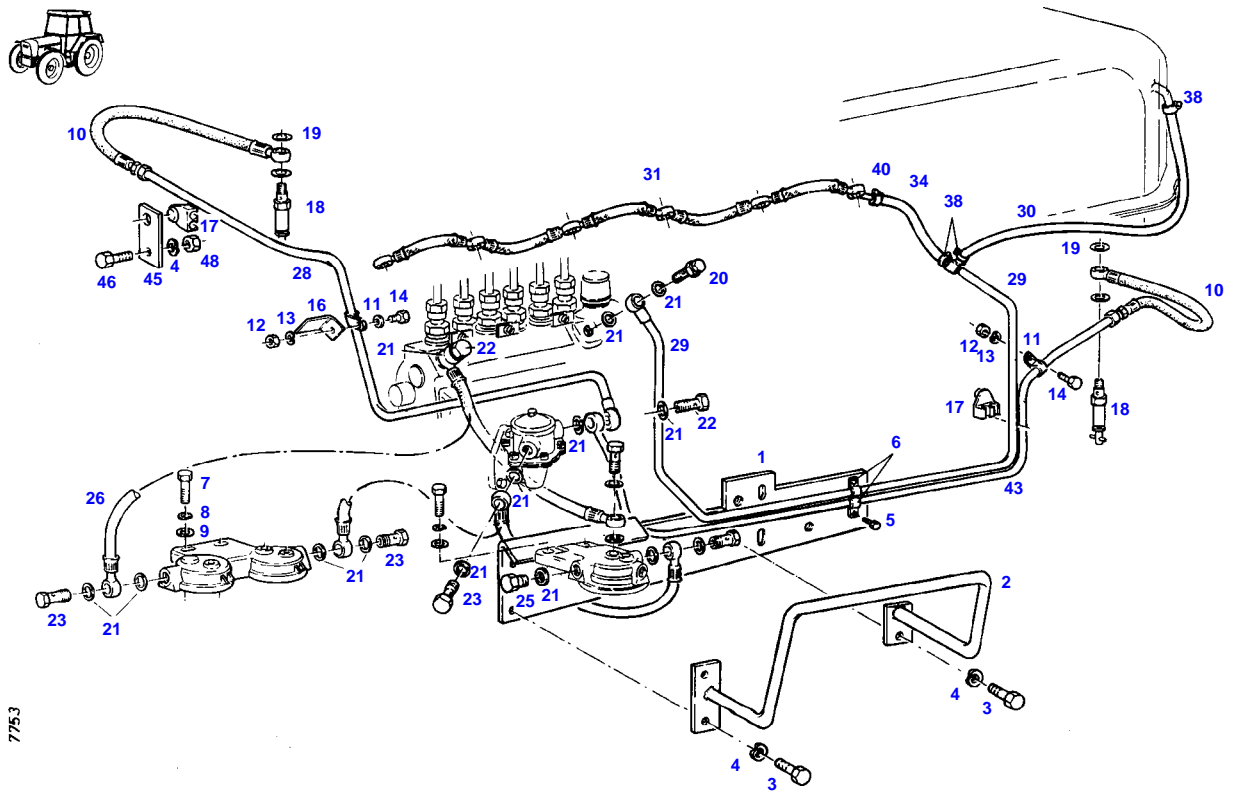
Item	Part Number	Qty	Description Comments	Technical Specification
			--> 198/20000	
1	72409022	2	FLANGE	
3	72380155	1	FUEL LEVEL SENSOR BOARD COMPUTER	
4	72380154	1	FUEL LEVEL SENSOR BOARD COMPUTER	
6	72376132	2	SEALING WASHER	
7	72315619	10	HEXAGONAL HEAD BOLT	DIN 933 M5X16-8.8A3L
8	72376017	10	SEALING WASHER	DIN 7603-A5X7,5-CU

FARMER 311 (198/07701-99999)
6661



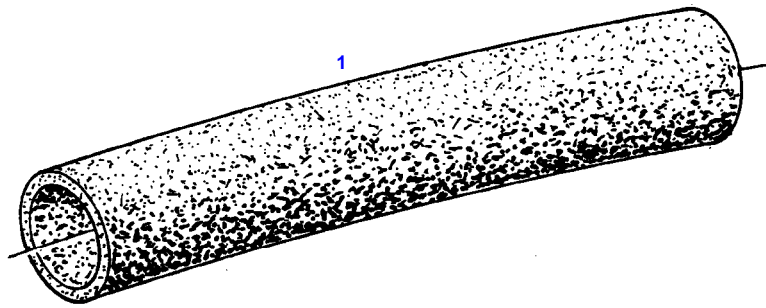
Item	Part Number	Qty	Description Comments	Technical Specification
			--> 198/20000	
1	72357314	1	RETAINER	
2	72399913	1	HOLDER	
3	72317122	2	SPRING WASHER	DIN 137 B10-MECH.VZK
4	72315689	1	HEXAGONAL HEAD BOLT	DIN 933 M10X35-8.8A3L
5	72315691	1	HEXAGONAL HEAD BOLT	DIN 933 M10X40-8.8A3L
6	72374493	2	HEXAGONAL HEAD BOLT	DIN 933 M14X30-8.8
	72374490	2	HEXAGONAL HEAD BOLT	DIN 933 M14X20-8.8
7	72315657	2	HEXAGONAL HEAD BOLT	DIN 933 M8 X 30-8.8A3L
8	72317121	2	SPRING WASHER	DIN 137 B8-MECH.VZK
9	72311824	1	DISC	DIN9021-8,4-140HV-A3L
10	72357312	2	HOSE LINE	
11	72311241	1	PIPE CLAMP	
12	72313266	4	NUT	DIN 934 M6-8A3L
13	72317120	4	SPRING WASHER	DIN 137 B6-MECH.VZK
14	72315626	1	HEXAGONAL HEAD BOLT	DIN 933-M6 X 16-8.8-A3L
15	72398941	2	FASTENING COLLAR	
16	72397270	1	ANGLE	
17	72379246	3	CABLE CLIP	
18	72380159	2	FUEL SHUT-OFF VALVE	
19	72315093	2	SEALING WASHER	DIN 7603 A12X18-CU
20	72380268	1	BLEED AND DRAIN VALVE	
21	72315095	12	SEALING WASHER	DIN 7603 A14X20-CU
22	72310187	2	DOUBLE BOLT	
23	72315808	3	BANJO BOLT	DIN 7643-10-3-A3L
24	72315095	4	SEALING WASHER	DIN 7603 A14X20-CU
25	72315799	2	PLUG	DIN 7604 AM14X1,5-A3L
26	72356760	1	FUEL LINE	
27	72355537	1	FUEL LINE	
28	72357772	1	TUBING	
29	72357724	1	LEAKAGE OIL LINE	
30	72435830	1	PRESSURE HOSE 1100 MM CUT TO LENGTH	L=2100
31	72343884	1	LEAKAGE OIL LINE	
34	72450301	1	PRESSURE HOSE 350 MM CUT TO LENGTH	L=1000
35	72315639	1	HEXAGONAL HEAD BOLT	DIN 933 M6X50-8.8A3L
36	72392713	1	BUSH	
37	72311822	1	DISC	DIN9021-6,4-140HV-A3L
38	72438345	4	HOSE CLIP	
40	72311848	2	DISC	
41	72315660	2	HEXAGONAL HEAD BOLT	DIN 933 M8X35-8.8A3L
43	72357313	1	TUBING	
45	72397285	1	PLATE LINK	
46	72315660	1	HEXAGONAL HEAD BOLT	DIN 933 M8X35-8.8A3L
47	72317121	1	SPRING WASHER	DIN 137 B8-MECH.VZK
48	72313268	1	NUT	DIN 934 M8-8A3L

FARMER 311 (198/07701-99999)
7753



7753

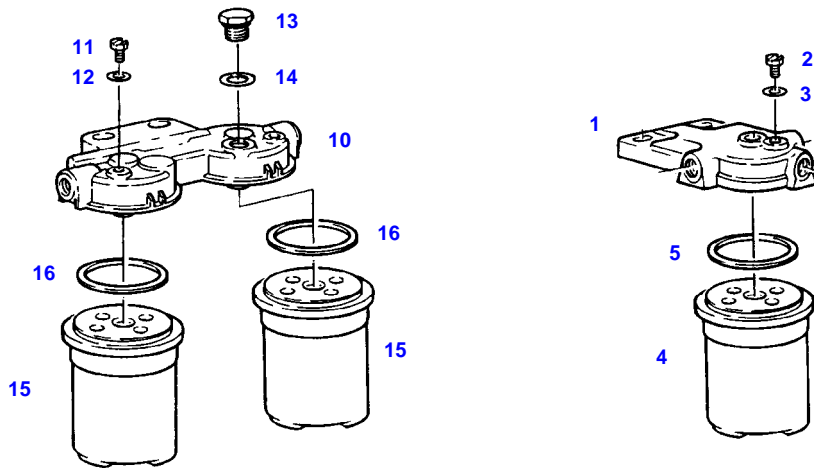
Item	Part Number	Qty	Description Comments	Technical Specification
			<-- 198/20001	
1	72357769	1	FILTER RETAINER	
2	72357782	1	PROTECTION BAR	
3	72315642	3	HEXAGONAL HEAD BOLT	DIN 933 M8 X 16-8.8A3L
4	72317121	3	SPRING WASHER	DIN 137 B8-MECH.VZK
5	72374968	2	SCREW	DIN7976-ST4,8X9,5-C-A3L
6	72373448	2	FASTENING COLLAR	DIN 72571-1X8-ST VZK
7	72315657	2	HEXAGONAL HEAD BOLT	DIN 933 M8 X 30-8.8A3L
8	72317121	2	SPRING WASHER	DIN 137 B8-MECH.VZK
9	72311824	2	DISC	DIN9021-8,4-140HV-A3L
10	72357312	2	HOSE LINE	
11	72311241	2	PIPE CLAMP	
12	72313266	2	NUT	DIN 934 M6-8A3L
13	72317120	2	SPRING WASHER	DIN 137 B6-MECH.VZK
14	72315626	2	HEXAGONAL HEAD BOLT	DIN 933-M6 X 16-8.8-A3L
16	72310597	1	MOUNTING ANGLE	
17	72379246	2	CABLE CLIP	
18	72380159	2	FUEL SHUT-OFF VALVE	
19	72315093	2	SEALING WASHER	DIN 7603 A12X18-CU
20	72380268	1	BLEED AND DRAIN VALVE	
21	72315095	18	SEALING WASHER	DIN 7603 A14X20-CU
22	72310187	2	DOUBLE BOLT	
23	72315808	3	BANJO BOLT	DIN 7643-10-3-A3L
25	72315799	2	PLUG	DIN 7604 AM14X1,5-A3L
26	72356760	2	FUEL LINE	
28	72357772	1	TUBING	
29	72357724	1	LEAKAGE OIL LINE	
30	72450301	1	PRESSURE HOSE 630 MM CUT TO LENGTH	L=1000
31	72343884	1	LEAKAGE OIL LINE	
34	72450301	1	PRESSURE HOSE 350 MM CUT TO LENGTH	L=1000
38	72438345	3	HOSE CLIP	
40	72438345	1	HOSE CLIP	
43	72357313	1	TUBING	
45	72397285	1	PLATE LINK	
46	72315660	1	HEXAGONAL HEAD BOLT	DIN 933 M8X35-8.8A3L
48	72313268	1	NUT	DIN 934 M8-8A3L



8555

Item	Part Number	Qty	Description Comments	Technical Specification
			RAPE SEED OIL METHYLATED ESTER	
1	72436293	1	HEAT SHRINK TUBING 1X 2500 MM CUT TO LENGTH	L=2600
	72436294	X	HEAT SHRINK TUBING 1X 3000 MM CUT TO LENGTH	L=3100
	72436295	1	HEAT SHRINK TUBING 1X 2000 MM CUT TO LENGTH	L=2100

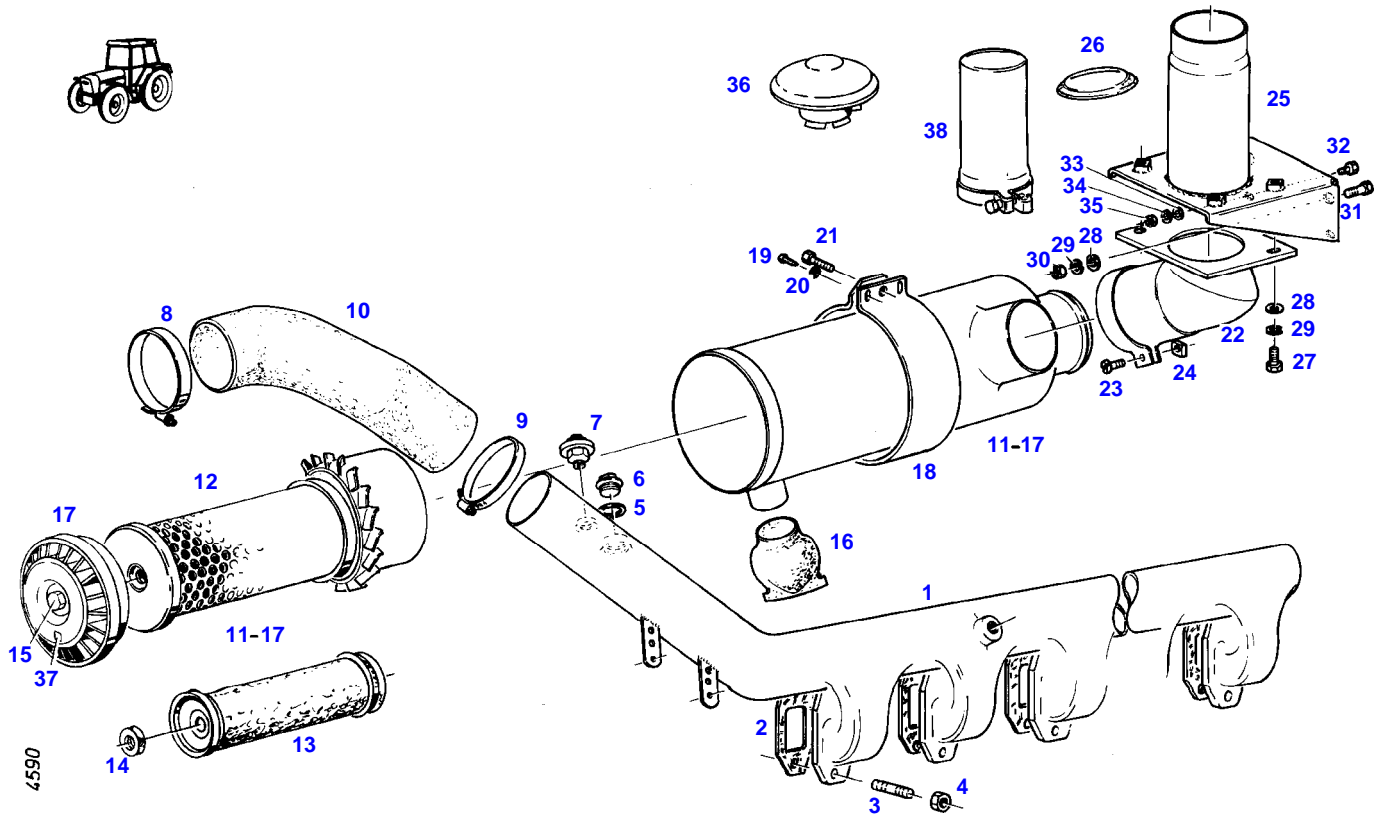
FARMER 311 (198/07701-99999)
4952



4952

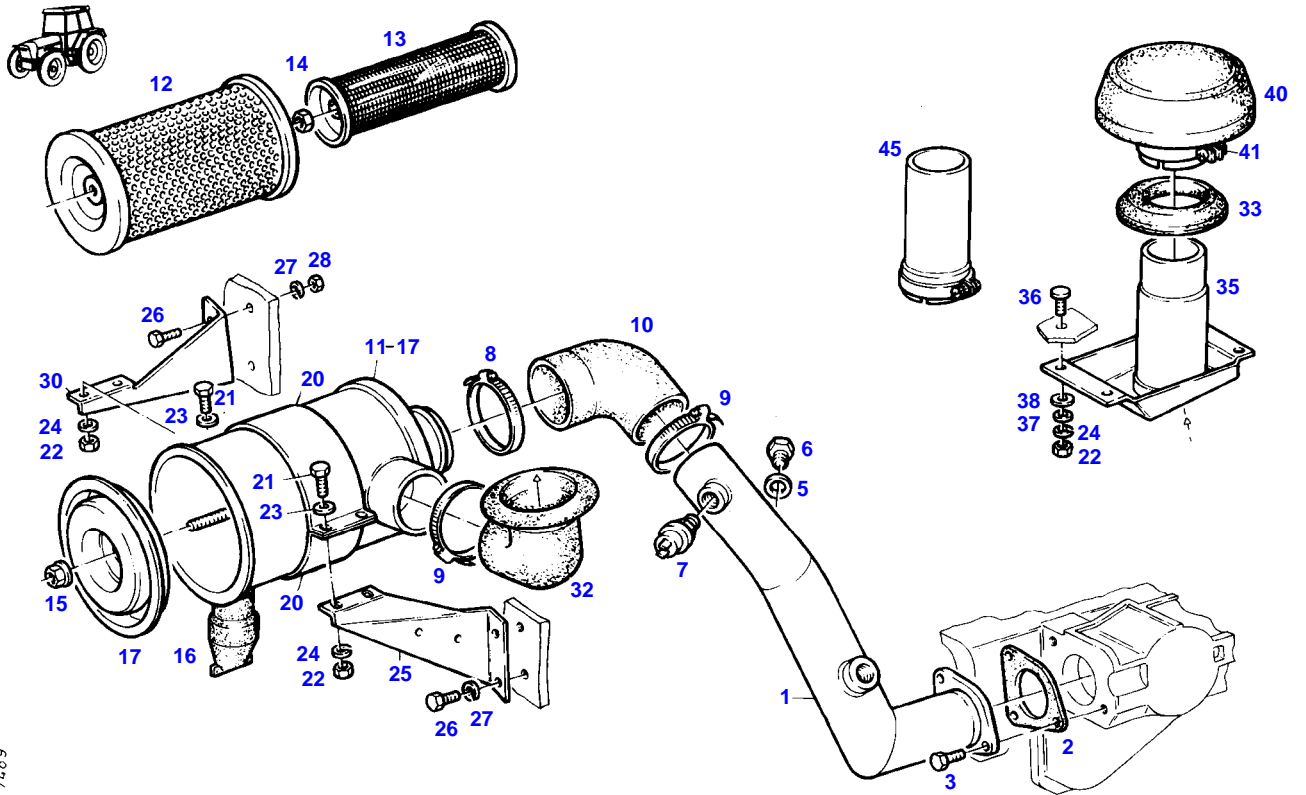
Item	Part Number	Qty	Description Comments	Technical Specification
1	72615599	1	FILTER LID ><2,3	
2	72323290	1	BLEED SCREW	
3	72315084	1	SEALING WASHER	DIN 7603 A6X10-CU
4	72416928	1	FILTER BOX ><5	
5	72314995	1	RUBBER RING PARALLEL-FILTER	
10	72380173	1	PARALLEL FILTER BOSCH ><11-16 <-- X810.190.166.000 1X <>	
	72416928	2	FILTER BOX	
	72451307	1	COVER KNECHT ><11,12 <>	PARALLELFILT.
	72416928	2	FILTER BOX	
11	72323290	2	BLEED SCREW BOSCH	
	72314699	2	BLEED SCREW KNECHT	
12	72315084	2	SEALING WASHER BOSCH	DIN 7603 A6X10-CU
	72315086	2	SEALING WASHER KNECHT	DIN 7603 A8X11,5-CU
13	72326250	1	SCREW BOSCH	
14	72315095	1	SEALING WASHER BOSCH	DIN 7603 A14X20-CU
15	72416928	2	FILTER BOX ><16	
16	72314995	2	RUBBER RING	

FARMER 311 (198/07701-99999)
4590



Item	Part Number	Qty	Description Comments	Technical Specification
			PICLON --> 198/20000	
1	72357727	1	INTAKE MANIFOLD	
2	72332145	6	MOLDED SEAL	
3	72313776	12	STUD BOLT	DIN 939 M10X25-8.8
4	72373015	12	NUT	DIN70615-M10-8-A3B
5	72315101	1	SEALING WASHER	DIN 7603 A22X27-CU
6	72315802	1	SCREW	DIN 7604 AM22X1,5-ST
7	72316876	1	MAINTENANCE SWITCH	
8	72311172	1	HOSE CLIP	
9	72311171	1	HOSE CLIP	
10	72397271	1	RUBBER ARCH	
11	72348775	1	AIR FILTER MANN + HUMMEL ><12-17	
	72348775	1	AIR FILTER KNECHT ><12-17	
12	72332577	1	MICRO-TOP CARTRIDGE	
13	72332126	1	SAFETY CARTRIDGE	
14	72313299	1	NUT MANN + HUMMEL	DIN 936-M16X1,5-17H
	72372763	1	NUT KNECHT	DIN 439 BM16-04A3L
15	72339030	1	COLLAR NUT MANN + HUMMEL	
	72332977	1	FASTENING NUT KNECHT	
16	72332513	1	DUST DISCHARGE VALVE MANN + HUMMEL	
	72332975	1	VALVE KNECHT	
17	72332518	1	COVER MANN + HUMMEL	
	72332976	1	COVER KNECHT <-- G199.200.090.010	
18	72396306	1	CLAMP	
19	72315814	2	SCREW	DIN7976-ST4,8X16-F-A3L
20	72311785	2	DISC	DIN 125-5,3-ST.A3L
21	72315634	1	HEXAGONAL HEAD BOLT	DIN 933 M6X30-8.8A3L
22	72357729	1	PIPE BEND	
23	72374982	1	OVAL HEAD SCREW	DIN 7985 M6X25-4.8A3L
24	72372783	1	SQUARE NUT	DIN 557 M6-5 A3L
25	72357730	1	CONSOLE	
26	72396307	1	SEALING RING	
27	72315650	2	HEXAGONAL HEAD BOLT	DIN 933 M8 X 20-8.8A3L
28	72311788	4	DISC	DIN 125-8,4-ST.A3L
29	72315053	4	SPLIT WASHER	FWN 65208-8-A3L
30	72313268	2	NUT	DIN 934 M8-8A3L
31	72315642	2	HEXAGONAL HEAD BOLT	DIN 933 M8 X 16-8.8A3L
32	72315629	1	HEXAGONAL HEAD BOLT	DIN 933 M6 X 12-8.8A3L
33	72311787	1	DISC	DIN 125-6,4-ST.A3L
34	72315052	1	SPLIT WASHER	FWN 65208-6-A3L
35	72313266	1	NUT	DIN 934 M6-8A3L
36	72348784	1	RAIN CAP	
37	72391711	1	ABSORPTION INDICATOR	
38	72348666	1	CONNECTING PIPE	

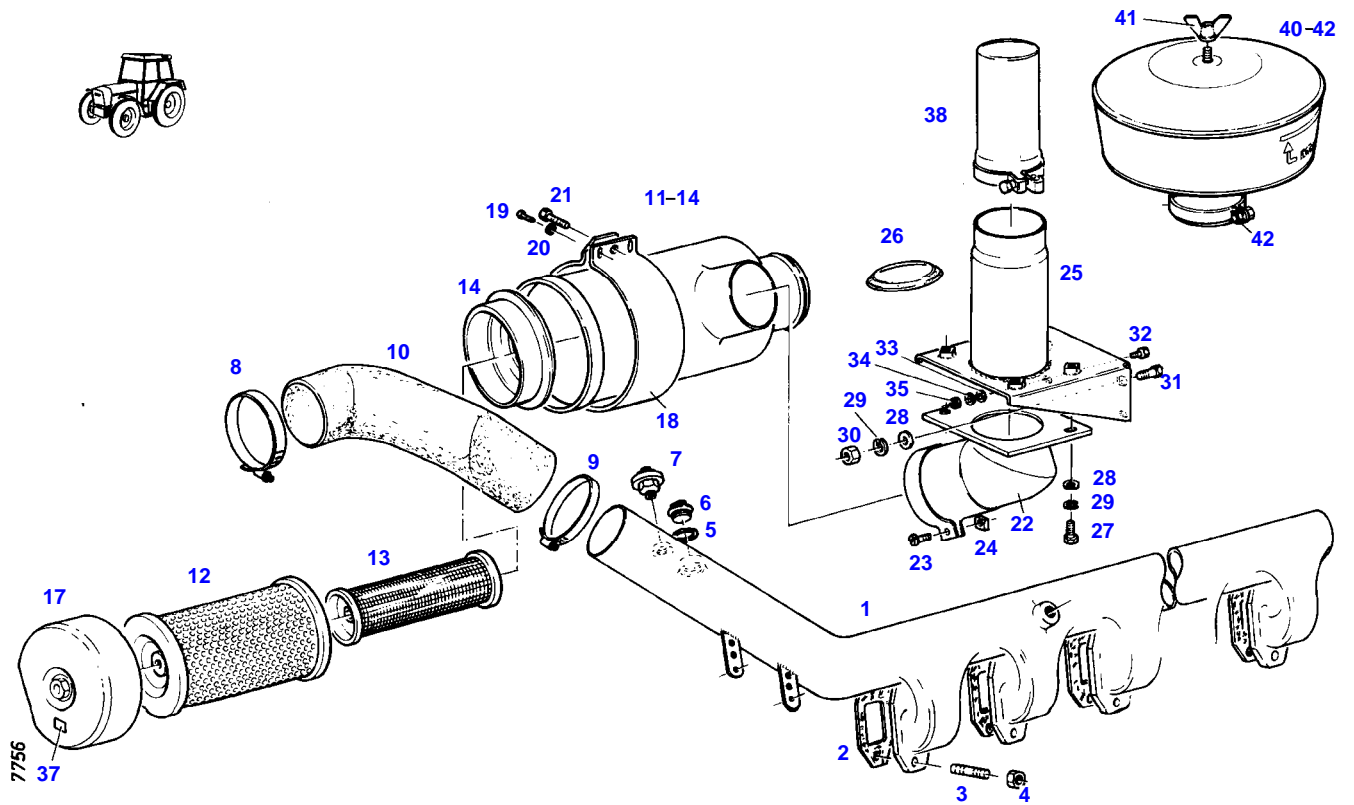
FARMER 311 (198/07701-99999)
7489



7489

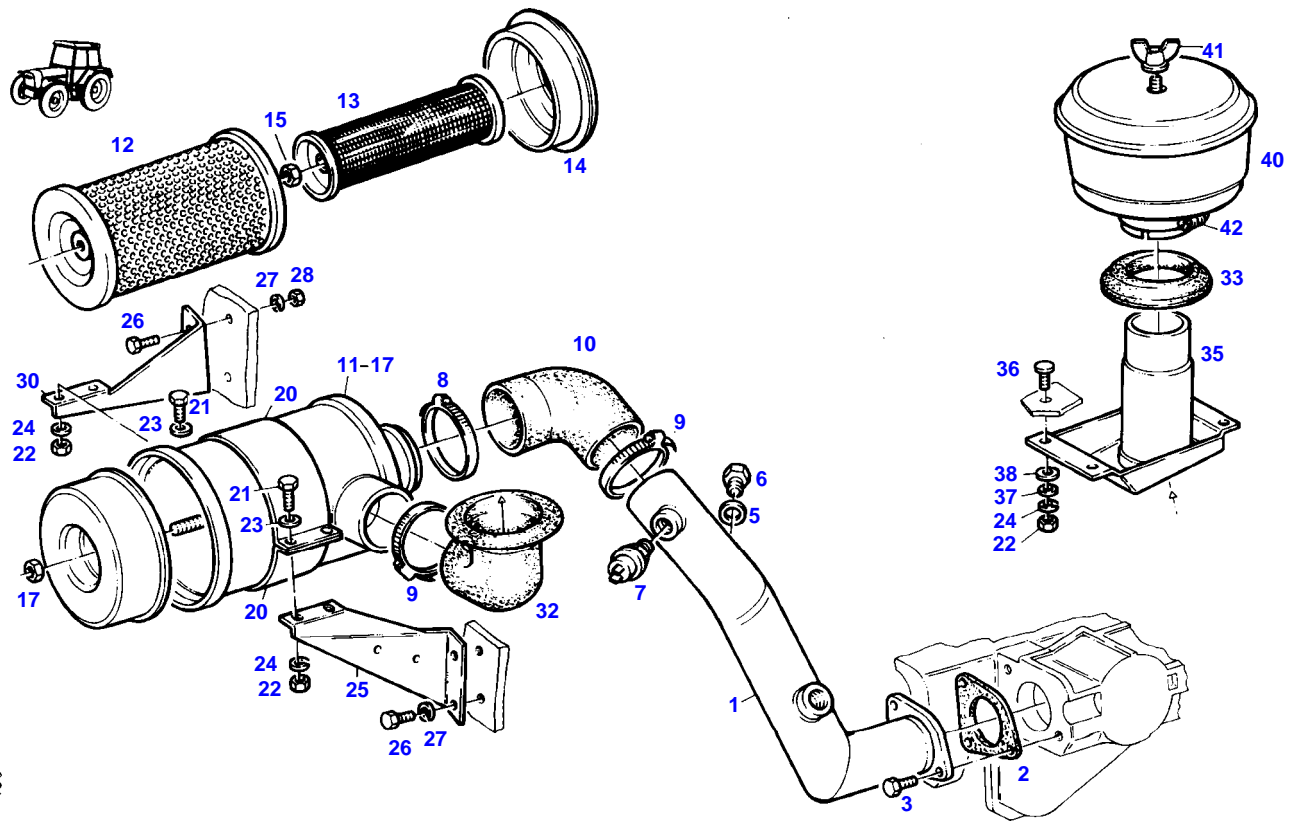
Item	Part Number	Qty	Description Comments	Technical Specification
			PICLON <-- 198/20001	
1	72357773	1	INTAKE MANIFOLD	
2	72397328	1	SEAL	
3	72315651	3	HEXAGONAL HEAD BOLT	DIN 933 M8X22-8.8A3L
5	72315101	1	SEALING WASHER	DIN 7603 A22X27-CU
6	72315802	1	SCREW	DIN 7604 AM22X1,5-ST
7	72316876	1	MAINTENANCE SWITCH	
8	72311172	1	HOSE CLIP	
9	72311171	2	HOSE CLIP	
10	72397327	1	RUBBER ARCH	
11	72348775	1	AIR FILTER MANN + HUMMEL ><12-17	
	72348775	1	AIR FILTER KNECHT ><12-17	
12	72332577	1	MICRO-TOP CARTRIDGE	
13	72332126	1	SAFETY CARTRIDGE	
14	72313299	1	NUT	DIN 936-M16X1,5-17H
	72372763	1	NUT MANN + HUMMEL KNECHT	DIN 439 BM16-04A3L
15	72339030	1	COLLAR NUT MANN + HUMMEL	
	72332977	1	FASTENING NUT KNECHT	
16	72332513	1	DUST DISCHARGE VALVE MANN + HUMMEL	
	72332975	1	VALVE KNECHT	
17	72332518	1	COVER MANN + HUMMEL	
	72332976	1	COVER KNECHT <-- G199.200.090.010	
20	72397325	2	CLAMP	
21	72315626	4	HEXAGONAL HEAD BOLT	DIN 933-M6 X 16-8.8-A3L
22	72313266	8	NUT	DIN 934 M6-8A3L
23	72311822	6	DISC	DIN9021-6,4-140HV-A3L
24	72315052	8	SPLIT WASHER	FWN 65208-6-A3L
25	72407293	1	RETAINER	
26	72315642	4	HEXAGONAL HEAD BOLT	DIN 933 M8 X 16-8.8A3L
27	72315053	4	SPLIT WASHER	FWN 65208-8-A3L
28	72313268	2	NUT	DIN 934 M8-8A3L
30	72407295	1	RETAINER	
32	72397326	1	BELLOWS	
33	72397329	1	SEALING RING	
35	72357774	1	AIR INTAKE	
36	72373809	4	TRUSS HEAD SCREW	DIN 603 M6X20-A3L
37	72311787	4	DISC	DIN 125-6,4-ST.A3L
38	72311788	4	DISC	DIN 125-8,4-ST.A3L
40	72348784	1	RAIN CAP ><41	
41	72333025	1	PIPE CLAMP	
45	72348666	1	CONNECTING PIPE	

FARMER 311 (198/07701-99999)
7756



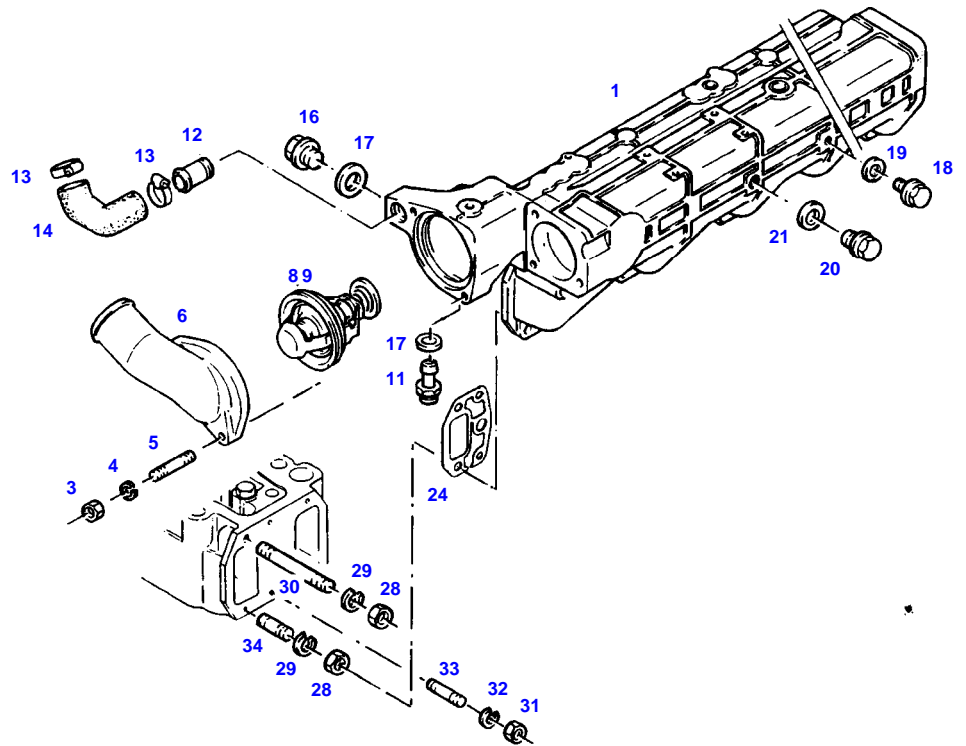
Item	Part Number	Qty	Description Comments	Technical Specification
			PICO --> 198/20000	
1	72357727	1	INTAKE MANIFOLD	
2	72329730	6	MOLDED SEAL	
3	72313776	12	STUD BOLT	DIN 939 M10X25-8.8
4	72373015	12	NUT	DIN70615-M10-8-A3B
5	72315101	1	SEALING WASHER	DIN 7603 A22X27-CU
6	72315802	1	SCREW	DIN 7604 AM22X1,5-ST
7	72316876	1	MAINTENANCE SWITCH	
8	72311172	1	HOSE CLIP	
9	72311171	1	HOSE CLIP	
10	72397271	1	RUBBER ARCH	
11	72348780	1	AIR FILTER ><12-14	
12	72332577	1	MICRO-TOP CARTRIDGE	
13	72332126	1	SAFETY CARTRIDGE	
14	72332999	1	GUIDE RING	
17			NO SPARE PART	
18	72396306	1	CLAMP	
19	72315814	2	SCREW	DIN7976-ST4,8X16-F-A3L
20	72311785	2	DISC	DIN 125-5,3-ST.A3L
21	72315634	1	HEXAGONAL HEAD BOLT	DIN 933 M6X30-8.8A3L
22	72357729	1	PIPE BEND	
23	72374982	1	OVAL HEAD SCREW	DIN 7985 M6X25-4.8A3L
24	72372783	1	SQUARE NUT	DIN 557 M6-5 A3L
25	72357730	1	CONSOLE	
26	72396307	1	SEALING RING	
27	72315650	2	HEXAGONAL HEAD BOLT	DIN 933 M8 X 20-8.8A3L
28	72311788	6	DISC	DIN 125-8,4-ST.A3L
29	72315053	4	SPLIT WASHER	FWN 65208-8-A3L
30	72313268	2	NUT	DIN 934 M8-8A3L
31	72315650	2	HEXAGONAL HEAD BOLT	DIN 933 M8 X 20-8.8A3L
32	72315626	1	HEXAGONAL HEAD BOLT	DIN 933-M6 X 16-8.8-A3L
33	72311787	2	DISC	DIN 125-6,4-ST.A3L
34	72315052	1	SPLIT WASHER	FWN 65208-6-A3L
35	72313266	1	NUT	DIN 934 M6-8A3L
37	72391711	1	ABSORPTION INDICATOR	
38			NOT USED	
40	72348552	1	PRE-CLEANER ><40-42	
	72311582	1	DUST CUP	
41	72313238	1	WING NUT	
42	72332464	1	HOSE CLIP	

FARMER 311 (198/07701-99999)
7490



Item	Part Number	Qty	Description Comments	Technical Specification
			PICO <-- 198/20001	
1	72357773	1	INTAKE MANIFOLD	
2	72397328	1	SEAL	
3	72315651	3	HEXAGONAL HEAD BOLT	DIN 933 M8X22-8.8A3L
5	72315101	1	SEALING WASHER	DIN 7603 A22X27-CU
6	72315802	1	SCREW	DIN 7604 AM22X1,5-ST
7	72316876	1	MAINTENANCE SWITCH	
8	72311172	1	HOSE CLIP	
9	72311171	2	HOSE CLIP	
10	72397327	1	RUBBER ARCH	
11	72348780	1	AIR FILTER ><12-17	
12	72332577	1	MICRO-TOP CARTRIDGE	
13	72332126	1	SAFETY CARTRIDGE	
14	72332999	1	GUIDE RING	
15	72372763	1	NUT	DIN 439 BM16-04A3L
17			NO SPARE PART	
20	72397325	2	CLAMP	
21	72315626	4	HEXAGONAL HEAD BOLT	DIN 933-M6 X 16-8.8-A3L
22	72313266	8	NUT	DIN 934 M6-8A3L
23	72311822	6	DISC	DIN9021-6,4-140HV-A3L
24	72315052	8	SPLIT WASHER	FWN 65208-6-A3L
25	72407293	1	RETAINER	
26	72315642	4	HEXAGONAL HEAD BOLT	DIN 933 M8 X 16-8.8A3L
27	72315053	4	SPLIT WASHER	FWN 65208-8-A3L
28	72313268	2	NUT	DIN 934 M8-8A3L
30	72407295	1	RETAINER	
32	72397326	1	BELLOWS	
33	72397329	1	SEALING RING	
35	72357774	1	AIR INTAKE	
36	72373809	4	TRUSS HEAD SCREW	DIN 603 M6X20-A3L
37	72311787	4	DISC	DIN 125-6,4-ST.A3L
38	72311788	4	DISC	DIN 125-8,4-ST.A3L
40	72348552	1	PRE-CLEANER >>40-42	
	72311582	1	DUST CUP	
41	72313238	1	WING NUT	
42	72332464	1	HOSE CLIP	

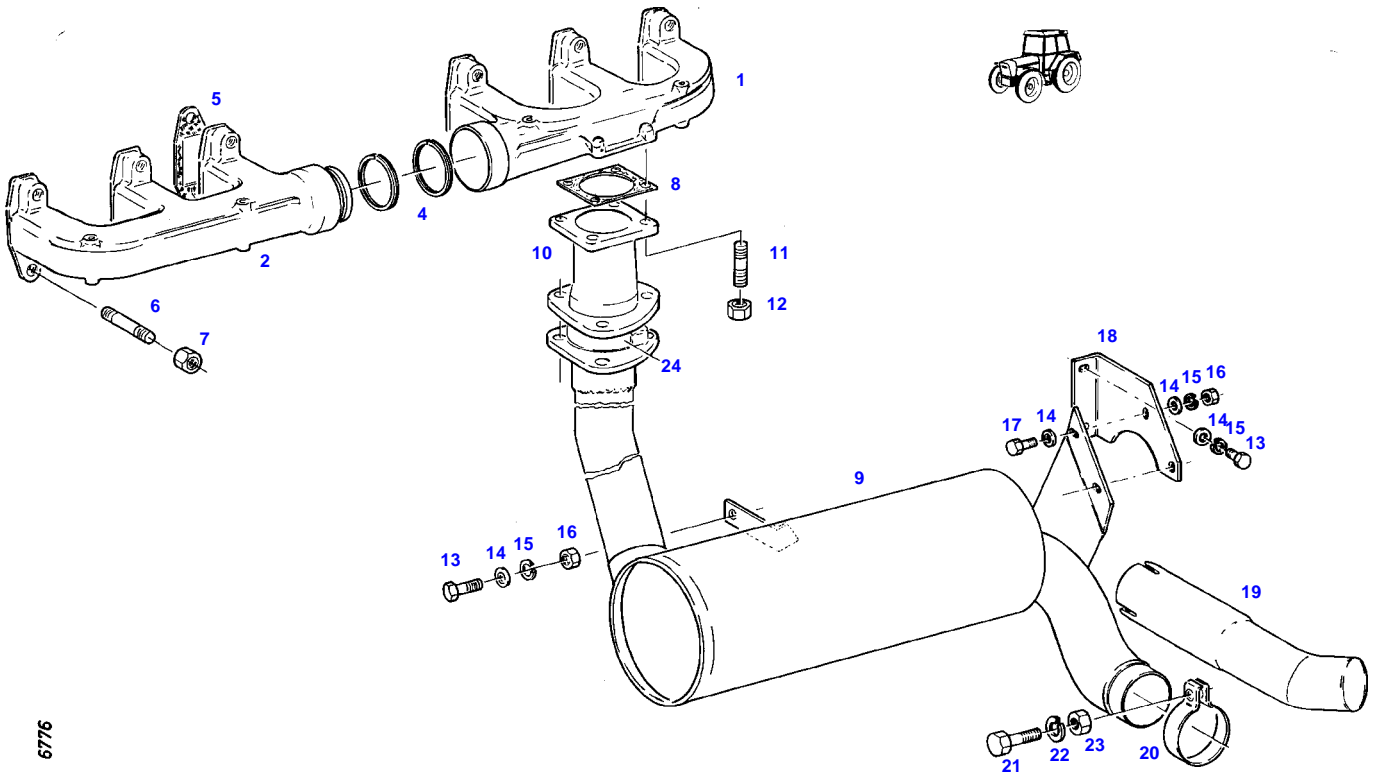
FARMER 311 (198/07701-99999)
7757



7757

Item	Part Number	Qty	Description Comments	Technical Specification
			<-- 198/20001	
1	72332599	1	INTAKE MANIFOLD	
3	72372805	2	NUT	DIN 934 M8-10 C2A
4	72315053	2	SPLIT WASHER	FWN 65208-8-A3L
5	72373904	2	STUD BOLT	DIN 835-M8X30-8.8
6	72397293	1	COVER	
8	72348782	1	THERMOSTAT	
	72333024	1	THERMOSTAT ><9 85 C SCANDINAVIA	
9	72397296	1	BRUSH SEALING	
11	72396595	1	HOSE BARB	
12	72411402	1	HOSE BARB	
	72315101	1	SEALING WASHER	DIN 7603 A22X27-CU
13	72311168	2	HOSE CLIP	
14	72397294	1	RUBBER ARCH	
	72395453	1	RUBBER ARCH 130MM 145MM	
16	72315802	1	SCREW	DIN 7604 AM22X1,5-ST
17	72315101	2	SEALING WASHER	DIN 7603 A22X27-CU
18	72315798	1	PLUG	DIN 7604 AM12X1,5-ST
19	72315093	1	SEALING WASHER	DIN 7603 A12X18-CU
20	72373975	1	SCREW	DIN 910 M20X1,5-ST
21	72376031	1	SEALING WASHER	DIN 7603 A20X24-CU
24	72397295	6	MOLDED SEAL	
28	72373015	12	NUT	DIN70615-M10-8-A3B
29	72315054	12	SPLIT WASHER	FWN 65208-10-A3L
30	72374658	6	STUD BOLT	DIN 939-M10X100-8.8
31	72313269	6	NUT	DIN 934 M8-8C2A
32	72315053	6	SPLIT WASHER	FWN 65208-8-A3L
33	72397298	6	STUD BOLT	
34	72374646	6	STUD BOLT	DIN 939 M10X30-8.8

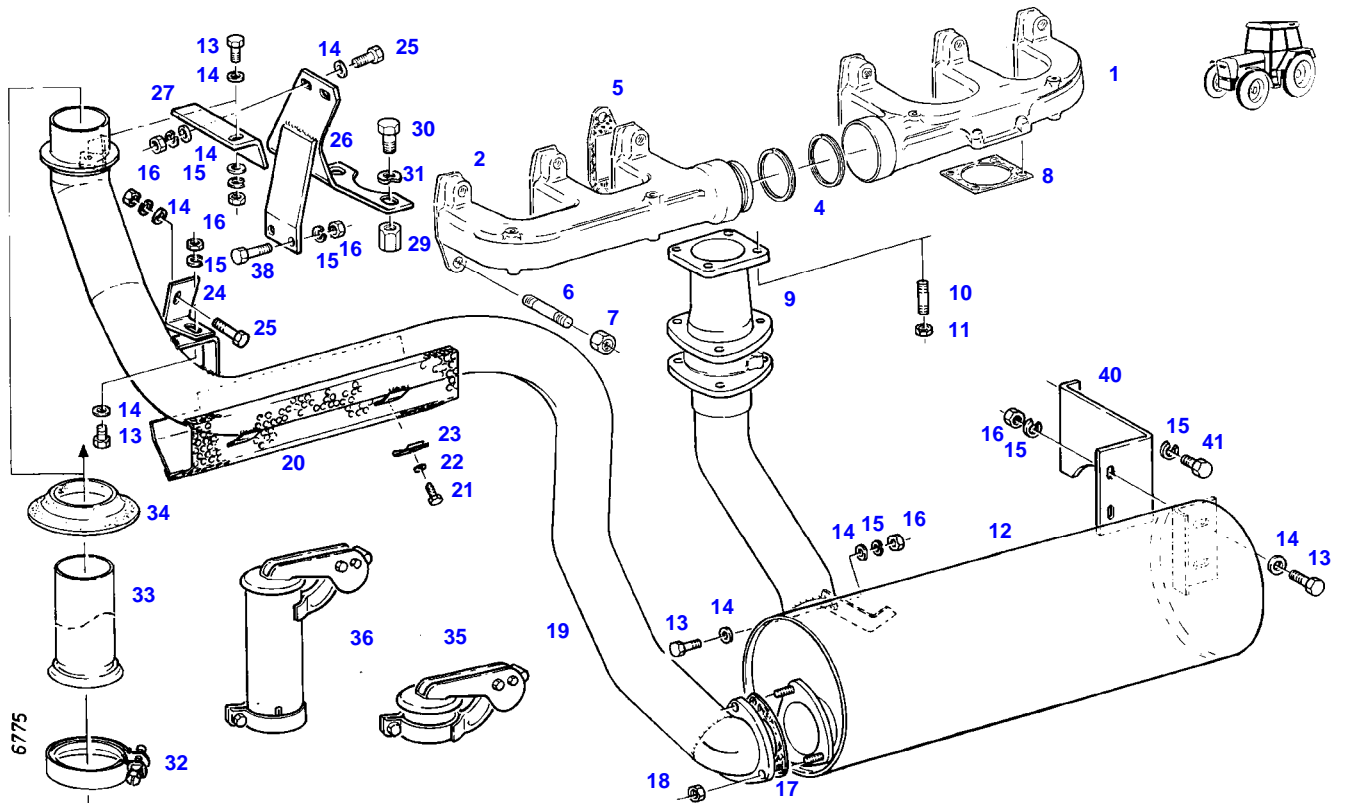
FARMER 311 (198/07701-99999)
6776



6776

Item	Part Number	Qty	Description Comments	Technical Specification
1	72332979	1	EXHAUST HALF	
2	72332978	1	EXHAUST HALF	
4	72332980	2	LAMELLAR RING	
5	72332145	6	MOLDED SEAL	
6	72374647	12	STUD BOLT	DIN 939-M10X40-8.8
7	72373015	12	NUT	DIN70615-M10-8-A3B
8	72331323	1	SQUARE SEAL	
9	72357759	1	EXHAUST MUFFLER	
			ENGINE BRAKE	
	72357329	1	EXHAUST MUFFLER	
			<>	
	72407297	1	INTERMEDIATE PIECE	
	72315534	3	HEXAGONAL HEAD BOLT	DIN 931 M8 X 70-8.8
	72313268	3	NUT	DIN 934 M8-8A3L
	72395941	1	INTERMEDIATE PIECE	
10	72407297	1	INTERMEDIATE PIECE	
			ENGINE BRAKE	
11	72374641	4	STUD BOLT	DIN 939 M10X20-8.8
12	72373015	4	NUT	DIN70615-M10-8-A3B
13	72315642	3	HEXAGONAL HEAD BOLT	DIN 933 M8 X 16-8.8A3L
14	72311788	8	DISC	DIN 125-8,4-ST.A3L
15	72315053	5	SPLIT WASHER	FWN 65208-8-A3L
16	72313268	3	NUT	DIN 934 M8-8A3L
17	72315646	2	HEXAGONAL HEAD BOLT	DIN 933 M8X18-8.8A3L
18	72397291	1	RETAINING BRACKET	
19	72396310	1	EXHAUST TAILPIPE	
20	72373441	1	PIPE CLAMP	DIN71555-75,5-A4C
21	72315685	1	HEXAGONAL HEAD BOLT	DIN 933 M10X30-8.8A3L
22	72315054	1	SPLIT WASHER	FWN 65208-10-A3L
23	72313272	1	NUT	DIN 934 M10-8A3L
24			SEE ENGINE BRAKE	

FARMER 311 (198/07701-99999)
6775



Thank you so much for reading.
Please click the “Buy Now!”
button below to download the
complete manual.



After you pay.

You can download the most
perfect and complete manual in
the world immediately.

Our support email:

ebooklibonline@outlook.com