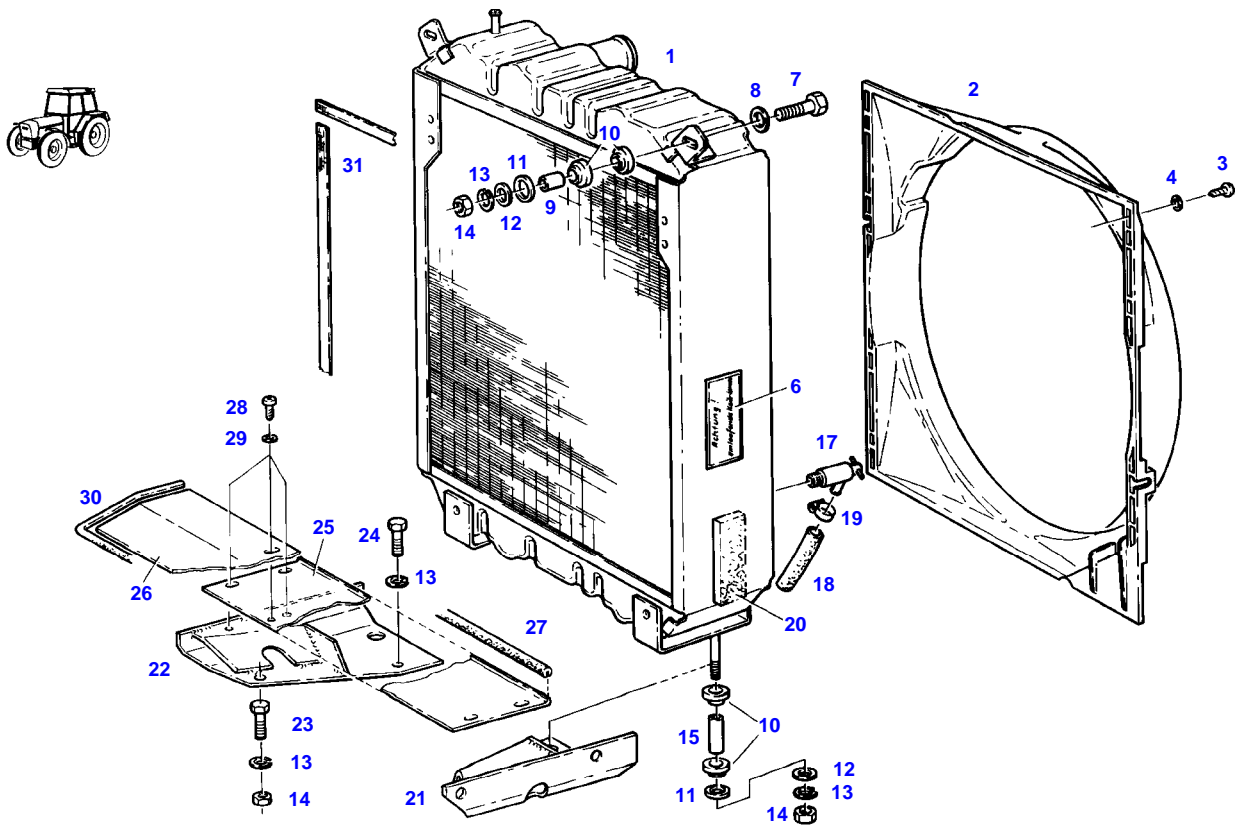


<b>Page Number</b>	<b>Page Title</b>	<b>Page Reference</b>
01-000-TOC	ENGINE, FUEL AND EXHAUST SYSTEM	01-000-TOC
02-000-TOC	AXLES	02-000-TOC
03-000-TOC	STEERING SYSTEM	03-000-TOC
04-000-TOC	DRIVE TRAIN SYSTEM	04-000-TOC
05-000-TOC	COMPRESSED AIR SYSTEM	05-000-TOC
06-000-TOC	HYDRAULIC SYSTEM	06-000-TOC
07-000-TOC	ELECTRICAL SYSTEM	07-000-TOC
08-000-TOC	CAB	08-000-TOC
09-000-TOC	AIR CONDITIONING AND HEATING SYSTEM	09-000-TOC
10-000-TOC	CHASSIS	10-000-TOC
11-000-TOC	WHEELS	11-000-TOC
12-000-TOC	IMPLEMENT LIFT SYSTEM FRONT	12-000-TOC
13-000-TOC	IMPLEMENT LIFT SYSTEM REAR	13-000-TOC
14-000-TOC	FRONT/REAR LOADERS	14-000-TOC
15-000-TOC	ACCESSORIES	15-000-TOC

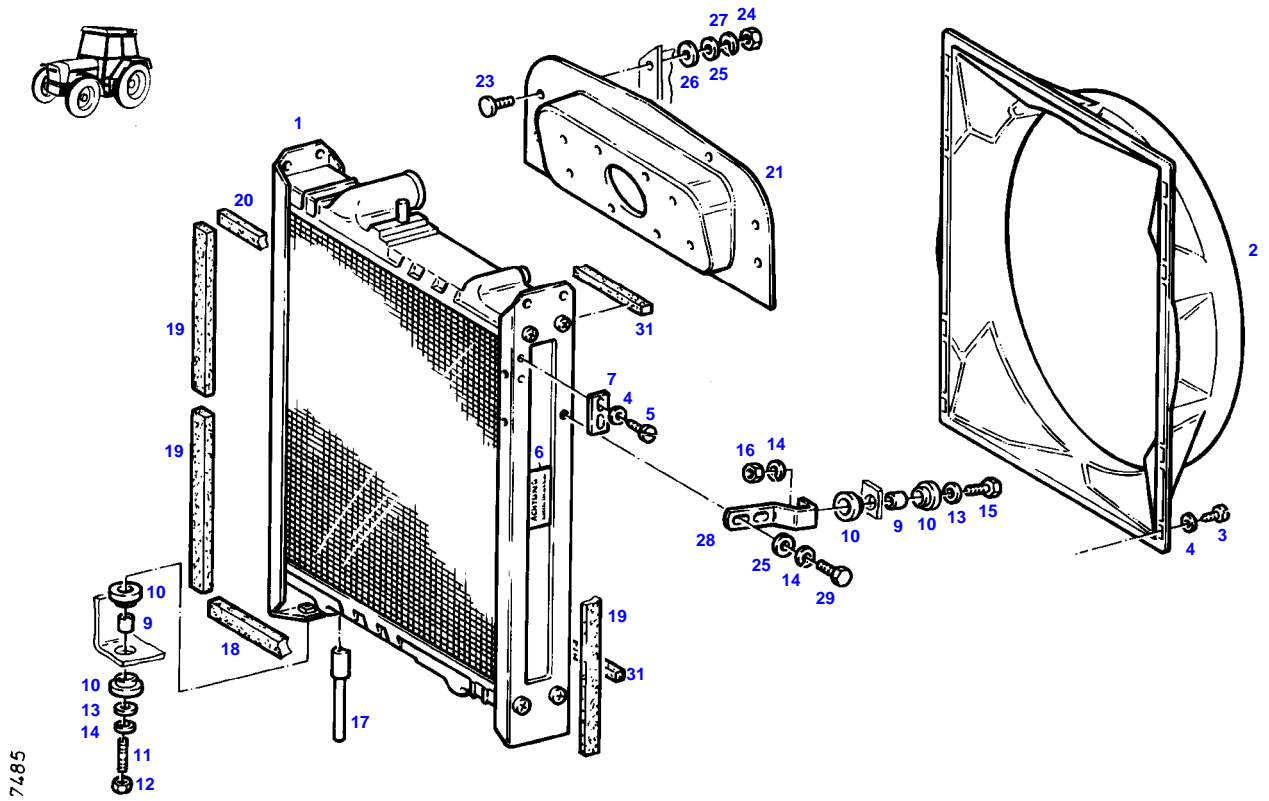
FARMER 312 (199/03501-99999)  
4581



4581

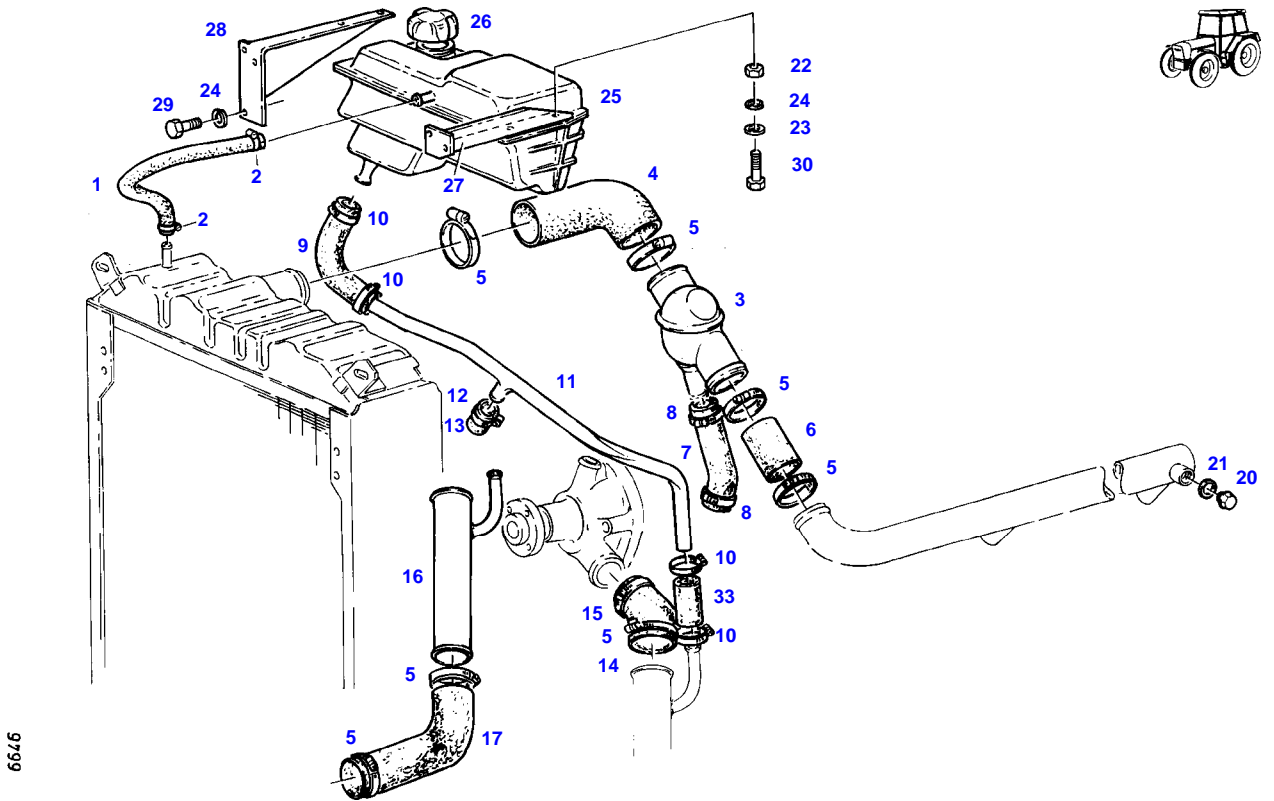
Item	Part Number	Qty	Description Comments	Technical Specification
			--> 199/20000	
1	72348773	1	RADIATOR	
2	72396340	1	FAN COVER	
3	72315818	8	SCREW	DIN7976-ST4,2X25-C-A3L
4	72311817	8	DISC	DIN9021-4,3-140HV-A3L
6	72386100	2	WARNING SIGN D	
	72388085	2	WARNING SIGN GB	
	72388086	2	WARNING SIGN F	
	72388087	2	WARNING SIGN I	
	72388088	2	WARNING SIGN E	
7	72315663	2	HEXAGONAL HEAD BOLT	DIN 933 M8X40-8.8A3L
8	72311788	2	DISC	DIN 125-8,4-ST.A3L
9	72310718	2	BUSH	
10	72312479	8	UNIVERSAL SPOUT	
11	72311793	4	DISC	DIN 125-17-ST.A3L
12	72311824	4	DISC	DIN9021-8,4-140HV-A3L
13	72315053	8	SPLIT WASHER	FWN 65208-8-A3L
14	72313268	6	NUT	DIN 934 M8-8A3L
15	72396348	2	BUSH	
17	72378063	1	RELIEF VALVE	DIN71401-CM14X1,5KEG
18	72389310	1	HOSE	
19	72438345	1	HOSE CLIP	
20	72450582	1	SEALING STRIP 2X 120 MM CUT TO LENGTH	L=10M
21	72357349	1	BRACKET	
22	72357350	1	BRACKET	
23	72315665	2	HEXAGONAL HEAD BOLT	DIN 933 M8X45-8.8A3L
24	72315657	2	HEXAGONAL HEAD BOLT	DIN 933 M8 X 30-8.8A3L
25	72396346	1	COVER PLATE	
26	72396302	1	SPLASH PANEL	
27	72450971	1	SHAPED CORD 1X 510 MM CUT TO LENGTH	L=1000 FWN 63040 C02
28	72315820	6	SCREW	DIN7976-ST6,3X13-C-A3L
29	72311822	9	DISC	DIN9021-6,4-140HV-A3L
30	72450971	1	SHAPED CORD 1X 734 MM CUT TO LENGTH	L=1000 FWN 63040 C02
31	72450581	1	SEALING STRIP 2X 480 MM 2X 510 MM 1X 515 MM CUT TO LENGTH	L=20M

FARMER 312 (199/03501-99999)  
7485



Item	Part Number	Qty	Description Comments	Technical Specification
			<-- 199/20001	
1	72348783	1	RADIATOR ><1	
	72436126	1	DRAIN PLUG	
2	72410558	1	FAN COVER	
3	72315818	8	SCREW	DIN7976-ST4,2X25-C-A3L
4	72311817	12	DISC	DIN9021-4,3-140HV-A3L
5	72374965	4	SCREW	DIN7976-ST4,2X9,5-C-A3L
6	72379109	1	MARKING PLATE	FWN66556-35X68-SCHUTZVORR.N.OE
7	72397311	1	ANGLE	
9	72310718	4	BUSH	
10	72312479	8	UNIVERSAL SPOUT	
11	72313772	2	STUD BOLT	DIN 939 M8X30-8.8
12	72313320	2	NUT	DIN6925-M8-8-A3L
13	72311824	4	DISC	DIN9021-8,4-140HV-A3L
14	72315053	4	SPLIT WASHER	FWN 65208-8-A3L
15	72315660	2	HEXAGONAL HEAD BOLT	DIN 933 M8X35-8.8A3L
16	72313268	2	NUT	DIN 934 M8-8A3L
17	72397310	1	DRAINAGE PIPING	
18	72310182	1	STRAP	
19	72397315	4	STRAP	
20	72397316	1	STRAP	
21	72397306	1	BARRIER WALL	
23	72373806	5	TRUSS HEAD SCREW	DIN 603 M6X16-A3L
24	72313266	5	NUT	DIN 934 M6-8A3L
25	72311787	7	DISC	DIN 125-6,4-ST.A3L
26	72311788	5	DISC	DIN 125-8,4-ST.A3L
27	72315052	5	SPLIT WASHER	FWN 65208-6-A3L
28	72397309	2	HOLDER	
29	72315642	4	HEXAGONAL HEAD BOLT	DIN 933 M8 X 16-8.8A3L
31	72450560	1	SEALING STRIP 2X 470MM CUT TO LENGTH	

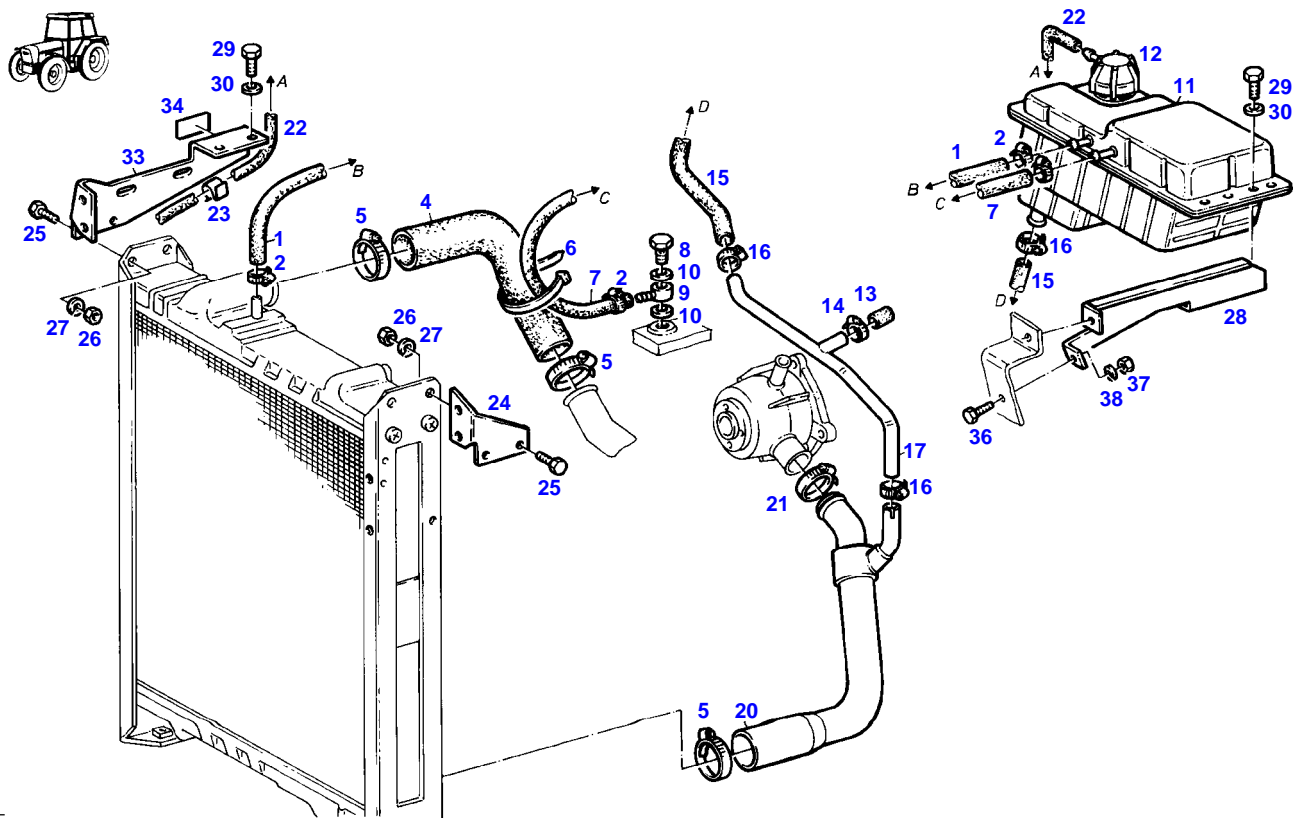
FARMER 312 (199/03501-99999)  
6646



9799

Item	Part Number	Qty	Description Comments	Technical Specification
			--> 199/20000	
1	72622024	1	PRESSURE HOSE 300 MM CUT TO LENGTH	L=0,50M 8X3,5-FWN65911
2	72438345	2	HOSE CLIP	
3	72456610	1	THERMOSTAT	
	72343978	1	THERMOSTAT 85 C	
4	72396343	1	RUBBER ARCH	
5	72311163	7	HOSE CLIP	
6	72450417	1	HOSE 60 MM CUT TO LENGTH	L=100 DIN73411-45X5 R
7	72397284	1	RUBBER ARCH	
8	72311167	2	HOSE CLIP	
9	72396345	1	RUBBER ARCH	
10	72311166	4	HOSE CLIP	
11	72357745	1	PIPE	
12	72311166	1	HOSE CLIP	
13	72404925	1	CAP	
14	72397283	1	RUBBER ARCH	
15	72311162	1	HOSE CLIP	
16	72357747	1	SUCTION LINE	
17	72396357	1	RUBBER ARCH	
20	72315802	1	SCREW	DIN 7604 AM22X1,5-ST
21	72315101	2	SEALING WASHER	DIN 7603 A22X27-CU
22	72313266	4	NUT	DIN 934 M6-8A3L
23	72311822	1	DISC	DIN9021-6,4-140HV-A3L
24	72315052	8	SPLIT WASHER	FWN 65208-6-A3L
25	72316897	1	EXPANSION TANK <>	
	72438345	1	HOSE CLIP	
	72409370	1	CAP	
26	72348672	1	COLLER LOCKING	
27	72396353	1	RETAINER	
28	72396355	1	RETAINER	
29	72315629	4	HEXAGONAL HEAD BOLT	DIN 933 M6 X 12-8.8A3L
30	72315820	4	SCREW	DIN7976-ST6,3X13-C-A3L
33	72450412	1	HOSE 1X 50MM CUT TO LENGTH	L=1000 18X3,5 R DIN 73411

FARMER 312 (199/03501-99999)  
7486

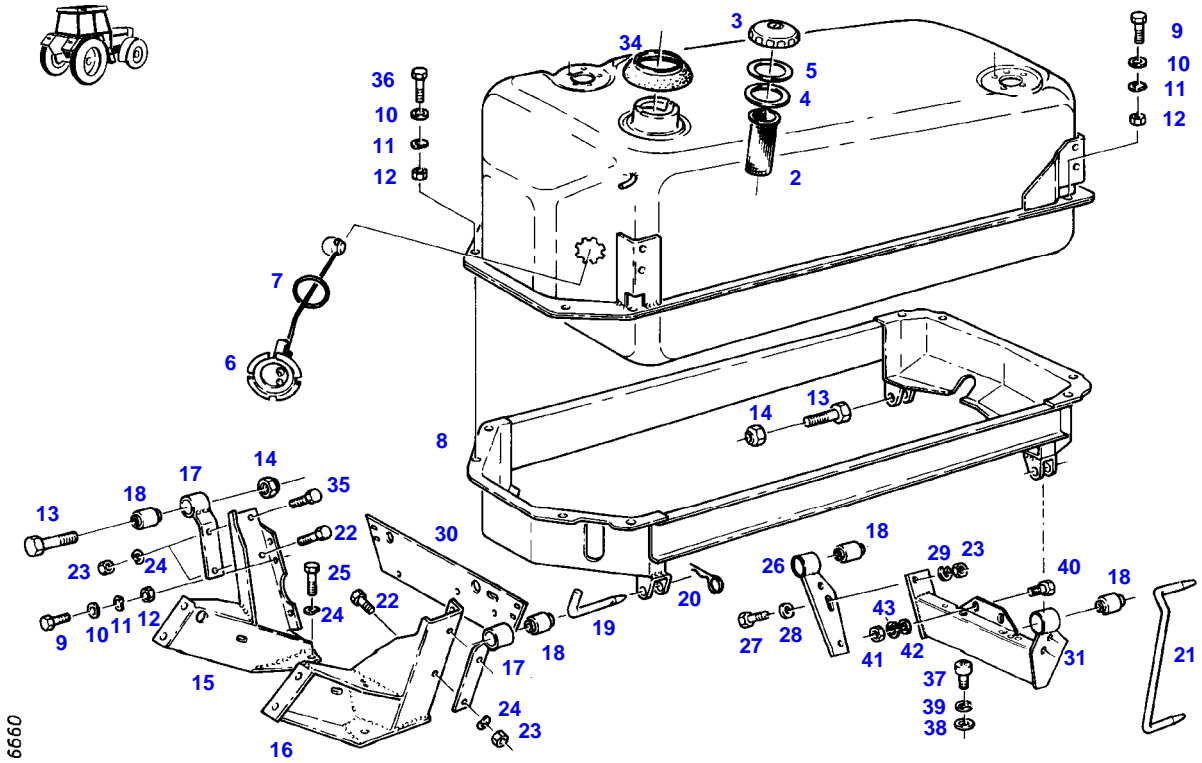


7486



Item	Part Number	Qty	Description Comments	Technical Specification
			<-- 199/20001	
1	72622024	1	PRESSURE HOSE 220 MM CUT TO LENGTH	L=0,50M 8X3,5-FWN65911
2	72438345	4	HOSE CLIP	
4	72397313	1	RUBBER ARCH	
5	72311170	3	HOSE CLIP	
6	72316915	1	CABLE STRAP	FWN 66650 B290X4,8-SW
7	72450289	1	PRESSURE HOSE 540 MM CUT TO LENGTH	L=550 FWN 66041-M4
8	72315806	1	BANJO BOLT	DIN 7643-6-3-A3L
9	72377528	1	RING HOSE NIPPLE	FWN65910-A-DN4
10	72315088	2	SEALING WASHER	DIN 7603 A10X13,5-CU
11	72316897	1	EXPANSION TANK	
12	72310924	1	COLLER LOCKING	
13	72404925	1	CAP	
14	72311166	1	HOSE CLIP	
15	72435840	1	HOSE ARCH	
16	72311166	3	HOSE CLIP	
17	72357764	1	PIPE	
20	72397314	1	COOLANT LINE	
21	72311162	1	HOSE CLIP	
22	72442422	1	HOSE 1100 MM CUT TO LENGTH	L=1500MM
23	72312049	3	HOSE RETAINER	
24	72397308	1	RETAINER	
25	72315642	2	HEXAGONAL HEAD BOLT	DIN 933 M8 X 16-8.8A3L
26	72313268	6	NUT	DIN 934 M8-8A3L
27	72315053	6	SPLIT WASHER	FWN 65208-8-A3L
28	72397312	1	BRACKET	
29	72315821	4	SCREW	DIN7976-ST6,3X19-C-A3L
30	72311822	4	DISC	DIN9021-6,4-140HV-A3L
33	72423219	1	RETAINER	
34	72397318	1	MARKING PLATE	
36	72315629	1	HEXAGONAL HEAD BOLT	DIN 933 M6 X 12-8.8A3L
37	72313266	1	NUT	DIN 934 M6-8A3L
38	72315052	1	SPLIT WASHER	FWN 65208-6-A3L

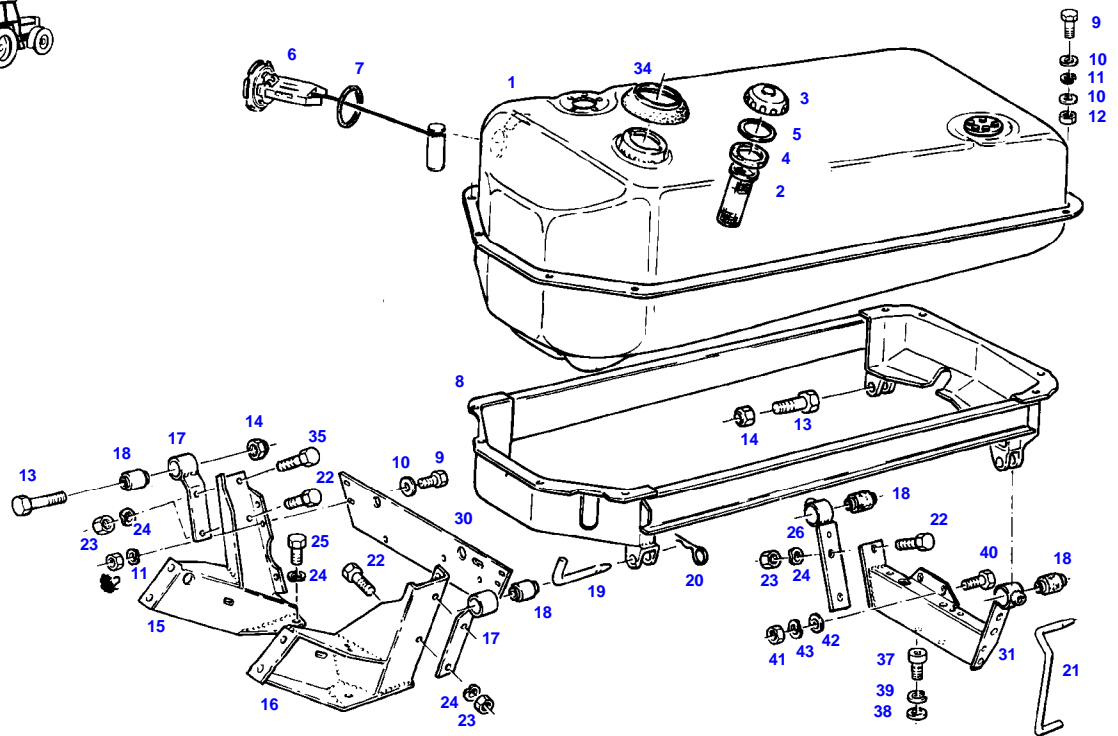
FARMER 312 (199/03501-99999)  
6660



6660

Item	Part Number	Qty	Description Comments	Technical Specification
			--> 199/20000	
1	72357751	1	FUEL TANK <>	
	72315619	10	HEXAGONAL HEAD BOLT	DIN 933 M5X16-8.8A3L
	72409022	2	FLANGE	
	72376132	2	SEALING WASHER	
	72376017	10	SEALING WASHER	DIN 7603-A5X7,5-CU
2	72433112	1	STRAINER	60X100-MS
3	72380143	1	FUEL CAP KOEHLER ><4	M.BELUEF
	72348297	1	FUEL CAP LOCKABLE BLAU ><4+5	
4	72330725	1	SEAL BLAU	
	72312304	1	RUBBER SEAL KOEHLER	
5	72330726	1	SEAL	
6	72613427	1	FUEL LEVEL SENSOR ><7	
7	72315169	1	SEALING WASHER	
8	72357719	1	TANK FRAME	
9	72315626	10	HEXAGONAL HEAD BOLT	DIN 933-M6 X 16-8.8-A3L
10	72311822	20	DISC	DIN9021-6,4-140HV-A3L
11	72317120	10	SPRING WASHER	DIN 137 B6-MECH.VZK
12	72313266	10	NUT	DIN 934 M6-8A3L
13	72315719	2	HEXAGONAL HEAD BOLT	DIN 933 M12X60-8.8A3L
14	72313325	2	NUT	DIN 980-VM12-8-A3L
15	72355440	1	BRACKET	
16	72355441	1	BRACKET	
17	72357100	2	BEARING	
18	72310644	4	RUBBER BUSHING	
19	72404932	2	BEARING PIN	
20	72311183	2	HAIR COTTER PIN	DIN 11024-4-A3L
21	72404936	1	BEARING PIN	
22	72315653	3	HEXAGONAL HEAD BOLT	DIN 933 M8 X 25-8.8A3L
23	72313268	6	NUT	DIN 934 M8-8A3L
24	72317121	10	SPRING WASHER	DIN 137 B8-MECH.VZK
25	72315642	6	HEXAGONAL HEAD BOLT	DIN 933 M8 X 16-8.8A3L
26	72357749	1	SUPPORT ARM	
27	72315660	2	HEXAGONAL HEAD BOLT	DIN 933 M8X35-8.8A3L
28	72311824	2	DISC	DIN9021-8,4-140HV-A3L
29	72315053	2	SPLIT WASHER	FWN 65208-8-A3L
30	72395911	1	SHEET METAL	
31	72357748	1	CROSSMEMBER	
34	72397269	1	SLEEVE	
35	72315657	1	HEXAGONAL HEAD BOLT	DIN 933 M8 X 30-8.8A3L
36	72315631	2	HEXAGONAL HEAD BOLT	DIN 933 M6 X 20-8.8A3L
37	72374066	2	SOCKET HEAD BOLT	DIN 912 M12X20-8.8
38	72311804	2	DISC	DIN 433-13-ST.A3L
39	72375473	2	SPLIT WASHER	FWN65237-12-A3L
40	72315689	2	HEXAGONAL HEAD BOLT	DIN 933 M10X35-8.8A3L
41	72313272	2	NUT	DIN 934 M10-8A3L
42	72311789	2	DISC	DIN 125-10,5-ST.A3L
43	72317122	2	SPRING WASHER	DIN 137 B10-MECH.VZK

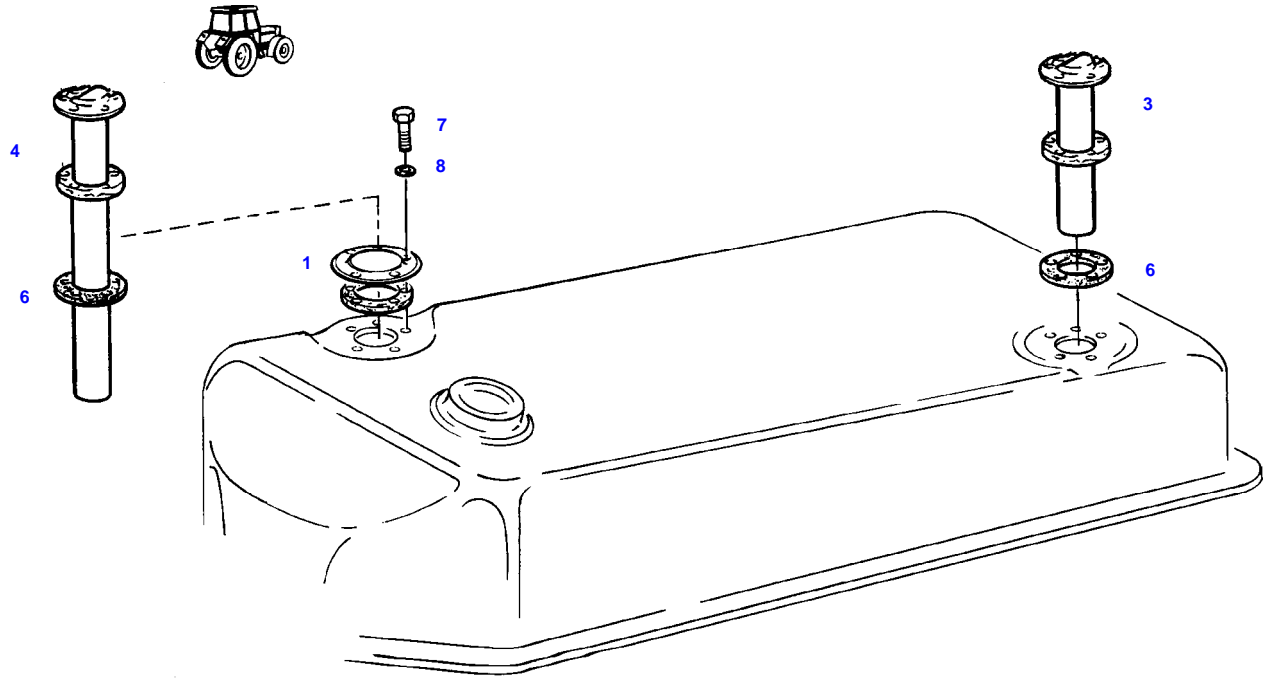
FARMER 312 (199/03501-99999)  
7754



7754

Item	Part Number	Qty	Description Comments	Technical Specification
			<-- 199/20001	
1	72357751	1	FUEL TANK <>	
	72376132	2	SEALING WASHER	
	72315619	10	HEXAGONAL HEAD BOLT	DIN 933 M5X16-8.8A3L
	72376017	10	SEALING WASHER	DIN 7603-A5X7,5-CU
	72409022	2	FLANGE	
2	72433112	1	STRAINER	60X100-MS
3	72380143	1	FUEL CAP KOEHLER >>4	M.BELUEF
	72348297	1	FUEL CAP LOCKABLE BLAU >>4+5	
4	72330725	1	SEAL BLAU	
	72312304	1	RUBBER SEAL KOEHLER	
5	72330726	1	SEAL	
6	72613427	1	FUEL LEVEL SENSOR >>7	
7	72315169	1	SEALING WASHER	
8	72357767	1	TANK FRAME	
9	72315626	13	HEXAGONAL HEAD BOLT	DIN 933-M6 X 16-8.8-A3L
10	72311822	20	DISC	DIN9021-6,4-140HV-A3L
11	72317120	13	SPRING WASHER	DIN 137 B6-MECH.VZK
12	72313266	13	NUT	DIN 934 M6-8A3L
13	72315719	2	HEXAGONAL HEAD BOLT	DIN 933 M12X60-8.8A3L
14	72313325	2	NUT	DIN 980-VM12-8-A3L
15	72355440	1	BRACKET	
16	72355441	1	BRACKET	
17	72357100	2	BEARING	
18	72310644	4	RUBBER BUSHING	
19	72407288	2	BEARING PIN	
20	72311183	2	HAIR COTTER PIN	DIN 11024-4-A3L
21	72393681	1	BEARING PIN	
22	72315653	5	HEXAGONAL HEAD BOLT	DIN 933 M8 X 25-8.8A3L
23	72313268	4	NUT	DIN 934 M8-8A3L
24	72317121	10	SPRING WASHER	DIN 137 B8-MECH.VZK
25	72315642	6	HEXAGONAL HEAD BOLT	DIN 933 M8 X 16-8.8A3L
26	72357768	1	SUPPORT ARM	
30	72397321	1	SHEET METAL	
31	72357771	1	CROSSMEMBER	
34	72397269	1	SLEEVE	
35	72315657	1	HEXAGONAL HEAD BOLT	DIN 933 M8 X 30-8.8A3L
37	72374066	2	SOCKET HEAD BOLT	DIN 912 M12X20-8.8
38	72311804	2	DISC	DIN 433-13-ST.A3L
39	72375473	2	SPLIT WASHER	FWN65237-12-A3L
40	72315689	2	HEXAGONAL HEAD BOLT	DIN 933 M10X35-8.8A3L
41	72313272	2	NUT	DIN 934 M10-8A3L
42	72311789	2	DISC	DIN 125-10,5-ST.A3L
43	72317122	2	SPRING WASHER	DIN 137 B10-MECH.VZK

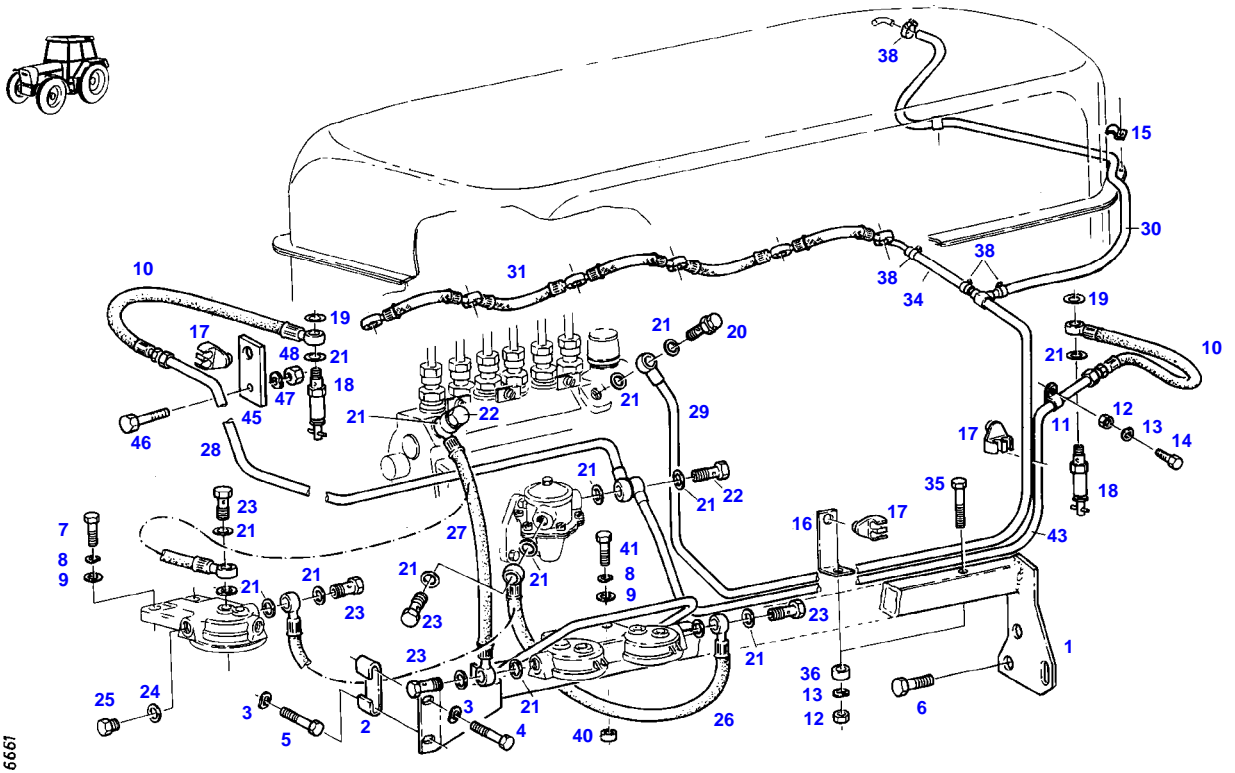
FARMER 312 (199/03501-99999)  
6662



6662

Item	Part Number	Qty	Description Comments	Technical Specification
			--> 199/20000	
1	72409022	2	FLANGE	
3	72380155	1	FUEL LEVEL SENSOR BOARD COMPUTER	
4	72380154	1	FUEL LEVEL SENSOR BOARD COMPUTER	
6	72376132	2	SEALING WASHER	
7	72315619	10	HEXAGONAL HEAD BOLT	DIN 933 M5X16-8.8A3L
8	72376017	10	SEALING WASHER	DIN 7603-A5X7,5-CU

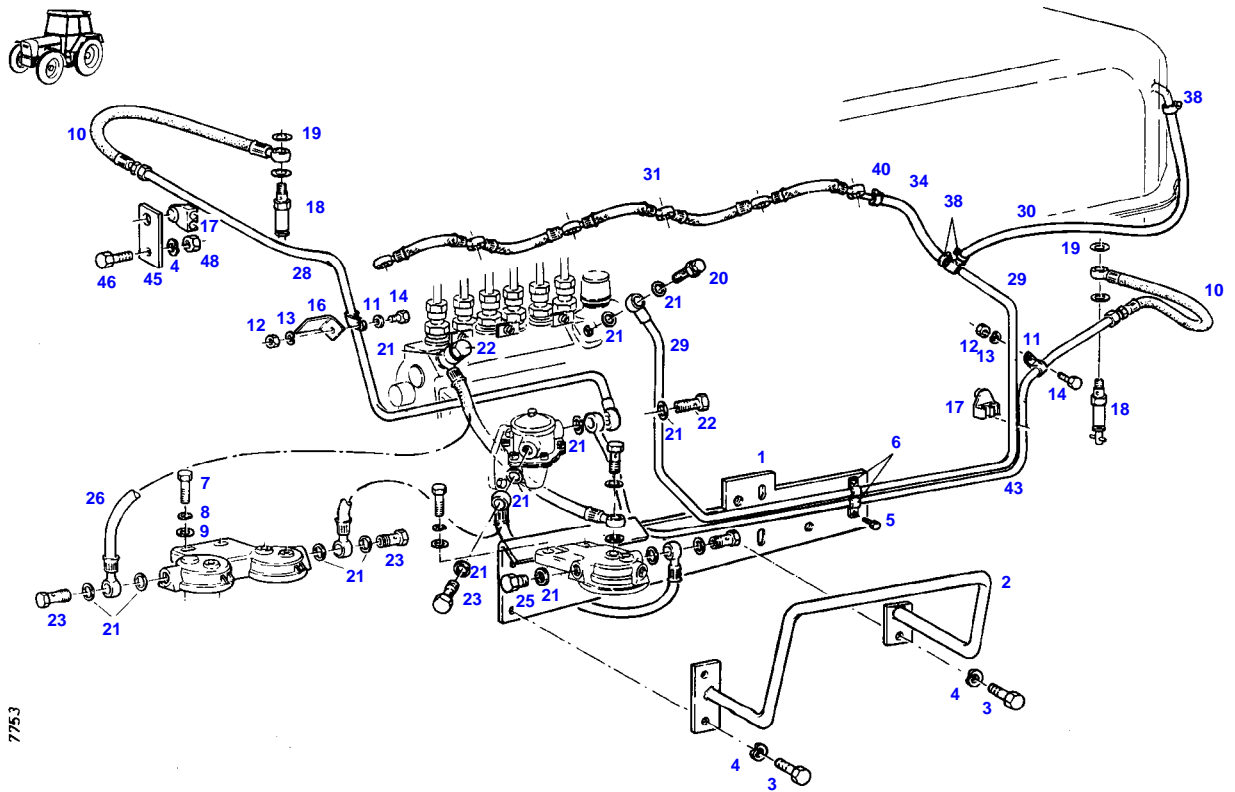
FARMER 312 (199/03501-99999)  
6661



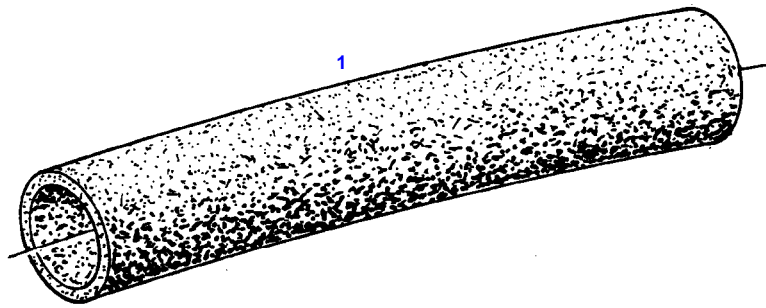


Item	Part Number	Qty	Description Comments	Technical Specification
			--> 199/20000	
1	72357314	1	RETAINER	
2	72399913	1	HOLDER	
3	72317122	2	SPRING WASHER	DIN 137 B10-MECH.VZK
4	72315689	1	HEXAGONAL HEAD BOLT	DIN 933 M10X35-8.8A3L
5	72315691	1	HEXAGONAL HEAD BOLT	DIN 933 M10X40-8.8A3L
6	72374493	2	HEXAGONAL HEAD BOLT	DIN 933 M14X30-8.8
	72374490	2	HEXAGONAL HEAD BOLT	DIN 933 M14X20-8.8
7	72315657	2	HEXAGONAL HEAD BOLT	DIN 933 M8 X 30-8.8A3L
8	72317121	2	SPRING WASHER	DIN 137 B8-MECH.VZK
9	72311824	1	DISC	DIN9021-8,4-140HV-A3L
10	72357312	2	HOSE LINE	
11	72311241	1	PIPE CLAMP	
12	72313266	4	NUT	DIN 934 M6-8A3L
13	72317120	4	SPRING WASHER	DIN 137 B6-MECH.VZK
14	72315626	1	HEXAGONAL HEAD BOLT	DIN 933-M6 X 16-8.8-A3L
15	72398941	2	FASTENING COLLAR	
16	72397270	1	ANGLE	
17	72379246	3	CABLE CLIP	
18	72380159	2	FUEL SHUT-OFF VALVE	
19	72315093	2	SEALING WASHER	DIN 7603 A12X18-CU
20	72380268	1	BLEED AND DRAIN VALVE	
21	72315095	12	SEALING WASHER	DIN 7603 A14X20-CU
22	72310187	2	DOUBLE BOLT	
23	72315808	3	BANJO BOLT	DIN 7643-10-3-A3L
24	72315095	4	SEALING WASHER	DIN 7603 A14X20-CU
25	72315799	2	PLUG	DIN 7604 AM14X1,5-A3L
26	72356760	1	FUEL LINE	
27	72355537	1	FUEL LINE	
28	72357772	1	TUBING	
29	72357724	1	LEAKAGE OIL LINE	
30	72435830	1	PRESSURE HOSE 1100 MM CUT TO LENGTH	L=2100
31	72343884	1	LEAKAGE OIL LINE	
34	72450301	1	PRESSURE HOSE 350 MM CUT TO LENGTH	L=1000
35	72315639	1	HEXAGONAL HEAD BOLT	DIN 933 M6X50-8.8A3L
36	72392713	1	BUSH	
37	72311822	1	DISC	DIN9021-6,4-140HV-A3L
38	72438345	4	HOSE CLIP	
40	72311848	2	DISC	
41	72315660	2	HEXAGONAL HEAD BOLT	DIN 933 M8X35-8.8A3L
43	72357313	1	TUBING	
45	72397285	1	PLATE LINK	
46	72315660	1	HEXAGONAL HEAD BOLT	DIN 933 M8X35-8.8A3L
47	72317121	1	SPRING WASHER	DIN 137 B8-MECH.VZK
48	72313268	1	NUT	DIN 934 M8-8A3L

FARMER 312 (199/03501-99999)  
7753



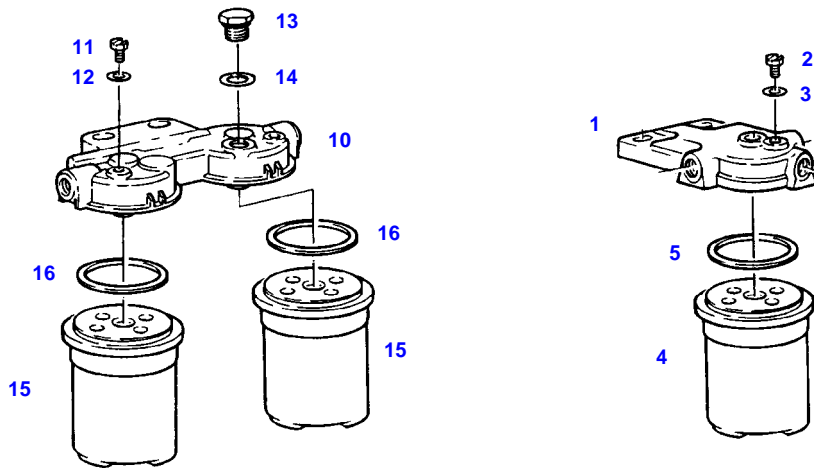
Item	Part Number	Qty	Description Comments	Technical Specification
			<-- 199/20001	
1	72357769	1	FILTER RETAINER	
2	72357782	1	PROTECTION BAR	
3	72315642	3	HEXAGONAL HEAD BOLT	DIN 933 M8 X 16-8.8A3L
4	72317121	3	SPRING WASHER	DIN 137 B8-MECH.VZK
5	72374968	2	SCREW	DIN7976-ST4,8X9,5-C-A3L
6	72373448	2	FASTENING COLLAR	DIN 72571-1X8-ST VZK
7	72315657	2	HEXAGONAL HEAD BOLT	DIN 933 M8 X 30-8.8A3L
8	72317121	2	SPRING WASHER	DIN 137 B8-MECH.VZK
9	72311824	2	DISC	DIN9021-8,4-140HV-A3L
10	72357312	2	HOSE LINE	
11	72311241	2	PIPE CLAMP	
12	72313266	2	NUT	DIN 934 M6-8A3L
13	72317120	2	SPRING WASHER	DIN 137 B6-MECH.VZK
14	72315626	2	HEXAGONAL HEAD BOLT	DIN 933-M6 X 16-8.8-A3L
16	72310597	1	MOUNTING ANGLE	
17	72379246	2	CABLE CLIP	
18	72380159	2	FUEL SHUT-OFF VALVE	
19	72315093	2	SEALING WASHER	DIN 7603 A12X18-CU
20	72380268	1	BLEED AND DRAIN VALVE	
21	72315095	18	SEALING WASHER	DIN 7603 A14X20-CU
22	72310187	2	DOUBLE BOLT	
23	72315808	3	BANJO BOLT	DIN 7643-10-3-A3L
25	72315799	2	PLUG	DIN 7604 AM14X1,5-A3L
26	72356760	2	FUEL LINE	
28	72357772	1	TUBING	
29	72357724	1	LEAKAGE OIL LINE	
30	72450301	1	PRESSURE HOSE 630 MM CUT TO LENGTH	L=1000
31	72343884	1	LEAKAGE OIL LINE	
34	72450301	1	PRESSURE HOSE 350 MM CUT TO LENGTH	L=1000
38	72438345	3	HOSE CLIP	
40	72438345	1	HOSE CLIP	
43	72357313	1	TUBING	
45	72397285	1	PLATE LINK	
46	72315660	1	HEXAGONAL HEAD BOLT	DIN 933 M8X35-8.8A3L
48	72313268	1	NUT	DIN 934 M8-8A3L



8555

Item	Part Number	Qty	Description Comments	Technical Specification
			<b>RAPE SEED OIL METHYLATED ESTER</b>	
1	72436293	1	HEAT SHRINK TUBING 1X 2500 MM CUT TO LENGTH	L=2600
	72436294	X	HEAT SHRINK TUBING 1X 3000 MM CUT TO LENGTH	L=3100
	72436295	1	HEAT SHRINK TUBING 1X 2000 MM CUT TO LENGTH	L=2100

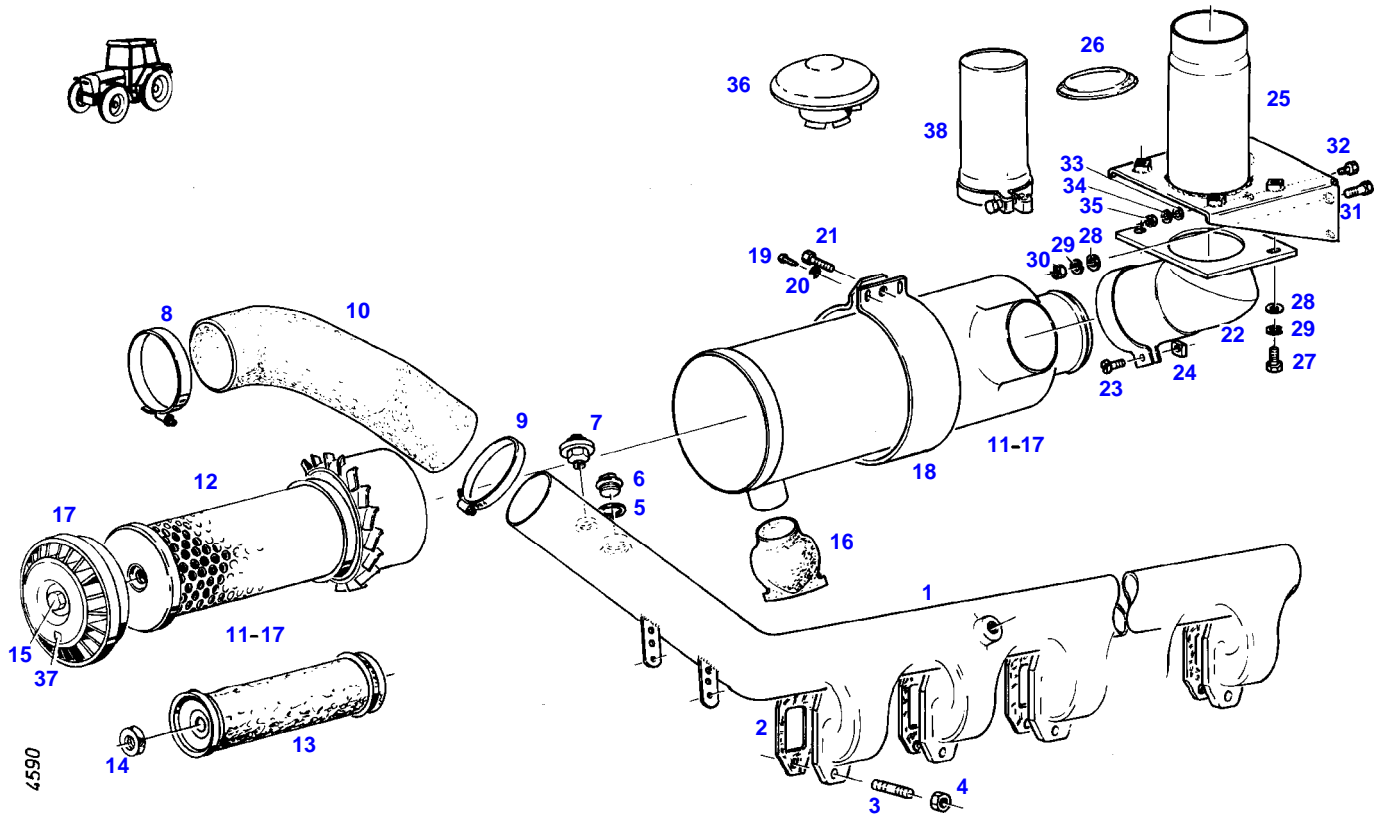
FARMER 312 (199/03501-99999)  
4952



4952

Item	Part Number	Qty	Description Comments	Technical Specification
1	72615599	1	FILTER LID ><2,3	
2	72323290	1	BLEED SCREW	
3	72315084	1	SEALING WASHER	DIN 7603 A6X10-CU
4	72416928	1	FILTER BOX ><5	
5	72314995	1	RUBBER RING PARALLEL-FILTER	
10	72380173	1	PARALLEL FILTER BOSCH ><11-16 <-- X810.190.166.000 1X <>	
	72416928	2	FILTER BOX	
	72451307	1	COVER KNECHT ><11,12 <>	PARALLELFILT.
	72416928	2	FILTER BOX	
11	72323290	2	BLEED SCREW BOSCH	
	72314699	2	BLEED SCREW KNECHT	
12	72315084	2	SEALING WASHER BOSCH	DIN 7603 A6X10-CU
	72315086	2	SEALING WASHER KNECHT	DIN 7603 A8X11,5-CU
13	72326250	1	SCREW BOSCH	
14	72315095	1	SEALING WASHER BOSCH	DIN 7603 A14X20-CU
15	72416928	2	FILTER BOX ><16	
16	72314995	2	RUBBER RING	

FARMER 312 (199/03501-99999)  
4590





Thank you so much for reading.  
Please click the “Buy Now!”  
button below to download the  
complete manual.



After you pay.

You can download the most  
perfect and complete manual in  
the world immediately.

Our support email:

[ebooklibonline@outlook.com](mailto:ebooklibonline@outlook.com)