

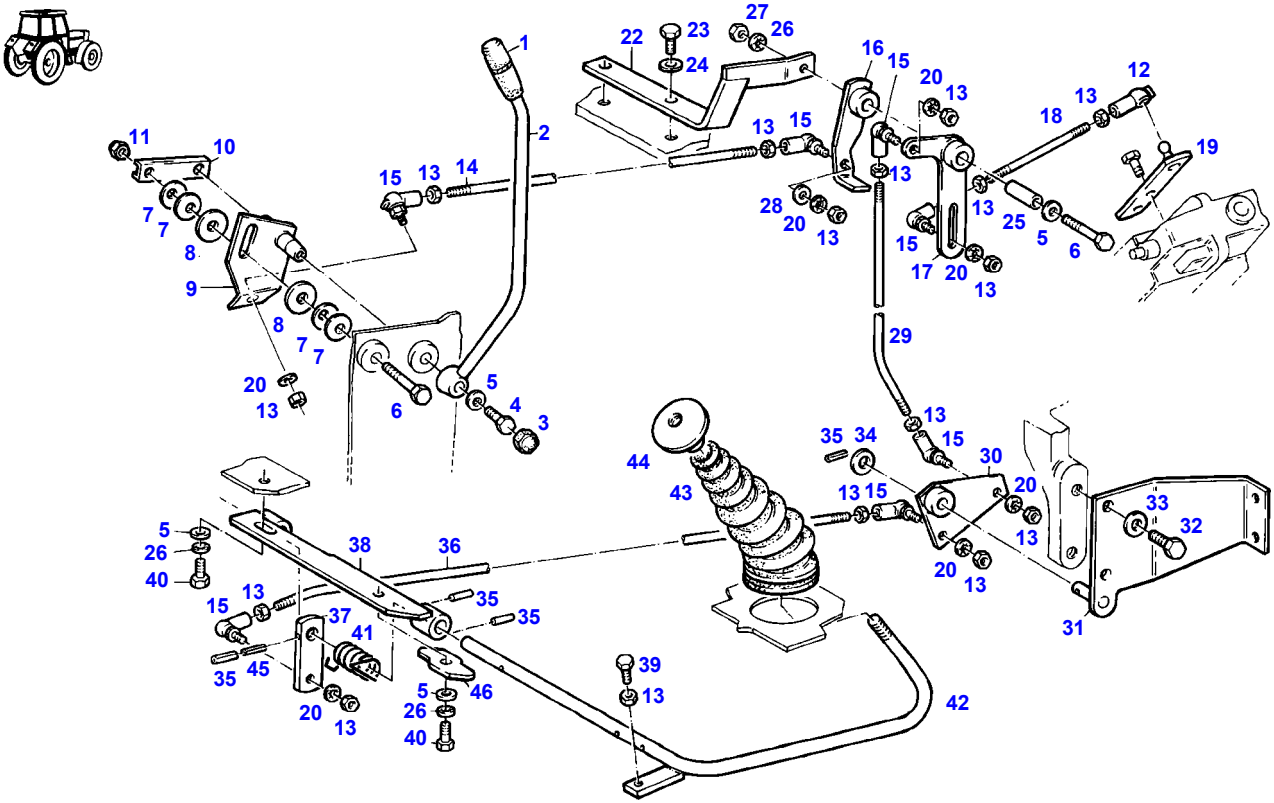
TABLE OF CONTENT

Page Number	Page Title	Page Reference
01-000-TOC	ENGINE, FUEL AND EXHAUST SYSTEM	01-000-TOC
02-000-TOC	AXLES	02-000-TOC
03-000-TOC	STEERING SYSTEM	03-000-TOC
04-000-TOC	DRIVE TRAIN SYSTEM	04-000-TOC
05-000-TOC	COMPRESSED AIR SYSTEM	05-000-TOC
06-000-TOC	HYDRAULIC SYSTEM	06-000-TOC
07-000-TOC	ELECTRICAL SYSTEM	07-000-TOC
08-000-TOC	CAB	08-000-TOC
09-000-TOC	AIR CONDITIONING AND HEATING SYSTEM	09-000-TOC
10-000-TOC	CHASSIS	10-000-TOC
11-000-TOC	WHEELS	11-000-TOC
12-000-TOC	IMPLEMENT LIFT SYSTEM FRONT	12-000-TOC
13-000-TOC	IMPLEMENT LIFT SYSTEM REAR	13-000-TOC
14-000-TOC	FRONT/REAR LOADERS	14-000-TOC
15-000-TOC	ACCESSORIES	15-000-TOC

Page Number	Page Title	Page Reference
01-0001	SPEED CONTROL --> 207/0425	2010
01-0002	SPEED CONTROL <-- 207/0426	2015
01-0003	FUEL TANK --> 207/8175	2020
01-0004	FUEL TANK <-- 207/8176	2025
01-0005	FUEL LINES	2030
01-0006	SHRINK HOSE RAPE SEED OIL METHYLATED ESTER	2035
01-0007	FUEL FILTER	2040
01-0008	AIR FILTER --> 207/0400	2050
01-0009	AIR FILTER <-- 207/0401 --> 207/7000	2053
01-0010	AIR FILTER <-- 207/7001	2054
01-0011	AIR FILTER AIR SUPPLY EQUIPMENT AND/OR ARI COND. --> 207/7000	2055
01-0012	AIR FILTER WITH AIR CONDITION <-- 207/7001	2057
01-0013	EXHAUST TO BOTTOM	2060
01-0014	TAIL PIPE UPRIGHT	2065
01-0015	TAIL PIPE UPRIGHT FRONTLOADER --> 207/7000	2067
01-0016	EXHAUST UPRIGHT --> 207/0868	2070
01-0017	EXHAUST UPRIGHT <-- 207/0869	2075
01-0018	TRACTOMETER SYSTEM --> 207/7000	2080
01-0019	COLD STARTING AID --> 207/0720	2090
01-0020	COLD STARTING AID AIR SUPPLY EQUIPMENT AND/OR ARI COND.	2093
01-0021	COLD STARTING AID <-- 207/0721	2095
01-0022	ENGINE STOP --> 207/7000	2100
01-0023	ENGINE STOP <-- 207/7001	2102
01-0024	ENGINE STOP RESERVE GEARS SHIFT <-- 207/7001	2104
01-0025	CRANKCASE --> 207/7000	2110
01-0026	CRANKCASE <-- 207/7001	2112
01-0027	INTERM. GEAR WHEEL	2115
01-0028	FRONT COVER	2120
01-0029	BREATHER PIPE	2125
01-0030	CYLINDER --> 207/7000	2130
01-0031	CYLINDER <-- 207/7001 --> 207/8059 <-- 207/8061 --> 207/8159	2132
01-0032	CYLINDER <-- 207/8060 --> 207/8060 <-- 207/8160	2133
01-0033	MASS BALANCER	2135
01-0034	CRANKSHAFT	2140

Page Number	Page Title	Page Reference
01-0035	PISTON --> 207/8059 <-- 207/8061 --> 207/8159	2150
01-0036	PISTON <-- 207/8060 --> 207/8060 <-- 207/8160	2151
01-0037	CAMSHAFT --> 207/7000	2160
01-0038	CAMSHAFT <-- 207/7001	2162
01-0039	VALVE DRIVE --> 207/7000	2170
01-0040	VALVE DRIVE <-- 207/7001	2175
01-0041	OIL PAN	2180
01-0042	OIL PUMP ENGINE NUMBER --> 7760 432	2190
01-0043	OIL PUMP ENGINE NUMBER <-- 7760 433	2195
01-0044	OIL COOLER	2200
01-0045	OIL FILTER	2210
01-0046	SUPPLY LINES	2220
01-0047	LEAK OIL LINE	2230
01-0048	INJECTION PUMP --> 207/7000	2240
01-0049	INJECTION PUMP <-- 207/7001	2242
01-0050	REG. ROD LIMITATION <-- 207/7001	2244
01-0051	FUEL PUMP	2246
01-0052	INJECTOR VALVE ENGINE NUMBER --> 7970 385	2250
01-0053	INJECTOR VALVE ENGINE NUMBER <-- 7970 386 --> 8472 885	2255
01-0054	INJECTOR VALVE ENGINE NUMBER <-- 8472 886	2257
01-0055	COOLING AIR BLOWER --> 207/7000	2260
01-0056	COOLING AIR BLOWER <-- 207/7001	2265
01-0057	FAN PANELLING	2270
01-0058	FAN AIR SUPPLY EQUIPMENT AND/OR ARI COND. --> 207/7000	2280
01-0059	FAN <-- 207/7001	2282

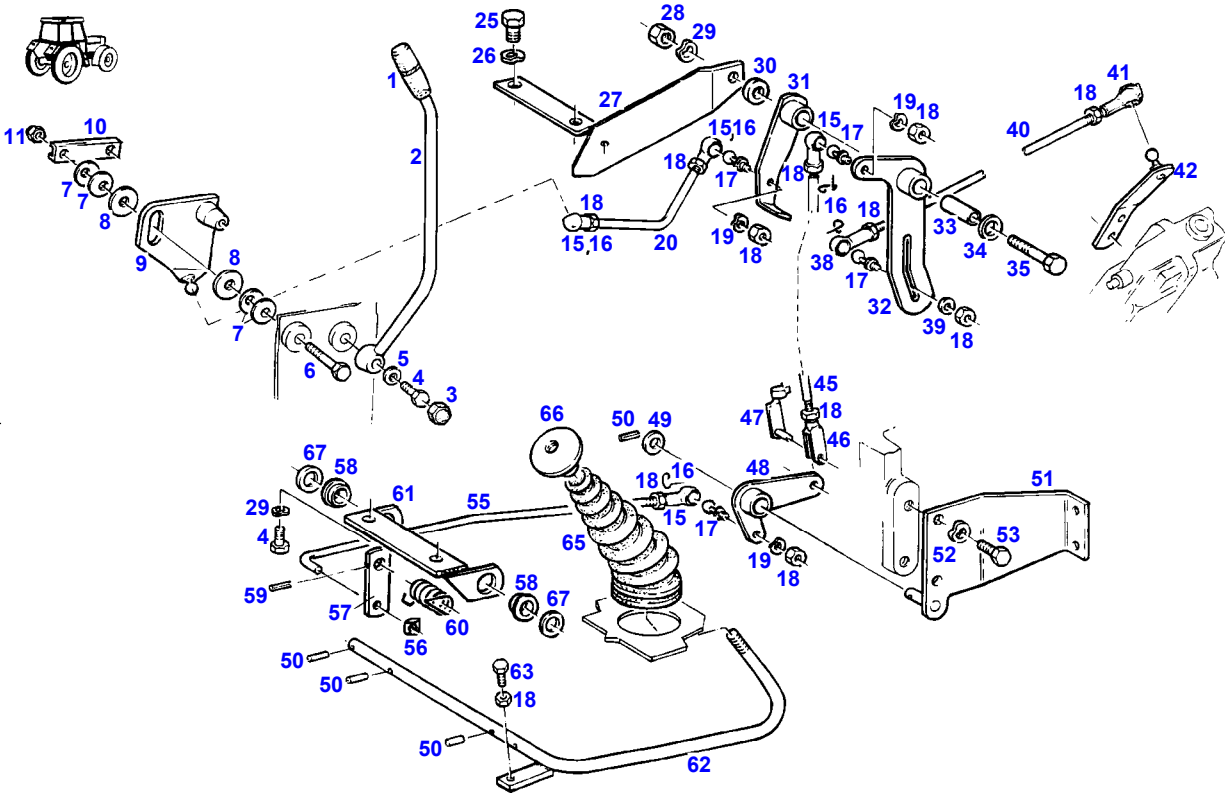
FARMER 270V (207/00001-99999)
6188



6188

Item	Part Number	Qty	Description Comments	Technical Specification
			--> 207/0425	
1	72393661	1	HANDLE GRIP	
2	72358110	1	HAND THROTTLE LEVER	
3	72310930	1	HEX HEAD PROTECTIVE CAP	SW
4	72315650	1	HEXAGONAL HEAD BOLT	DIN 933 M8 X 20-8.8A3L
5	72311788	3	DISC	DIN 125-8,4-ST.A3L
6	72315529	2	HEXAGONAL HEAD BOLT	DIN 931 M8X50-8.8A3L
7	72379553	4	DISK SPRING	20X8,2X0,8
8	72393657	2	DISC	
9	72358108	1	REVERSING LEVER	
10	72397827	1	U-RAIL	
11	72313320	1	NUT	DIN6925-M8-8-A3L
12	72316305	1	BALL SOCKET	10SXN03R
13	72313266	15	NUT	DIN 934 M6-8A3L
14	72400505	1	ROD	
15	72316303	7	BALL SOCKET	DIN 71805 B10-A3L
	72317189	7	SECURING CLIP	DIN71805 S10-A3L
	72313852	7	BALL PIN	DIN 71803-C10-ST-A3L
16	72363072	1	LEVER	
17	72363070	1	ADJUSTMENT LEVER	
18	72406864	1	THREADED ROD	
19	72354156	1	LEVER	
20	72317120	6	SPRING WASHER	DIN 137 B6-MECH.VZK
22	72363066	1	RETAINER	
23	72315679	2	HEXAGONAL HEAD BOLT	DIN 933 M10X20-8.8A3L
24	72317122	2	SPRING WASHER	DIN 137 B10-MECH.VZK
25	72397831	1	SPACER TUBE	
26	72317121	3	SPRING WASHER	DIN 137 B8-MECH.VZK
27	72313268	1	NUT	DIN 934 M8-8A3L
28	72311787	1	DISC	DIN 125-6,4-ST.A3L
29	72406862	1	ROD	
30	72363068	1	REVERSING LEVER	
31	72363071	1	RETAINER	
32	72315711	2	HEXAGONAL HEAD BOLT	DIN 933 M12X35-8.8A3L
33	72317123	2	SPRING WASHER	DIN 137 B12-ZNPHR
34	72311804	1	DISC	DIN 433-13-ST.A3L
35	72313804	4	TENSIONING PIN	ISO8752-4X22-A-ST-ZNPHR10F-KOE
36	72406861	1	ROD <> 1X X536.604.822 <>	
	72311179	1	DUO-CLIP	6 SXN10
37	72397830	1	DRIVER	
38	72363064	1	SUPPORT 2X 178.200.020.010 2X X450.908.708 <>	
	72363065	1	ACCELERATOR PEDAL	
	72311804	2	DISC	DIN 433-13-ST.A3L
	72393653	2	BUSH	
39	72315631	1	HEXAGONAL HEAD BOLT	DIN 933 M6 X 20-8.8A3L
40	72315642	2	HEXAGONAL HEAD BOLT	DIN 933 M8 X 16-8.8A3L
41	72316505	1	LEG SPRING	
42	72363065	1	ACCELERATOR PEDAL 2X 178.200.020.010 2X X450.908.708 <>	
	72393653	2	BUSH	
	72363064	1	SUPPORT	
	72311804	2	DISC	DIN 433-13-ST.A3L
43	72377290	1	BELLOWS	
44	72363073	1	PEDAL PLATE	
45	72428239	1	TENSIONING PIN	ISO8752-2,5X22-OB3
46	72400507	1	FLOOR PAD	

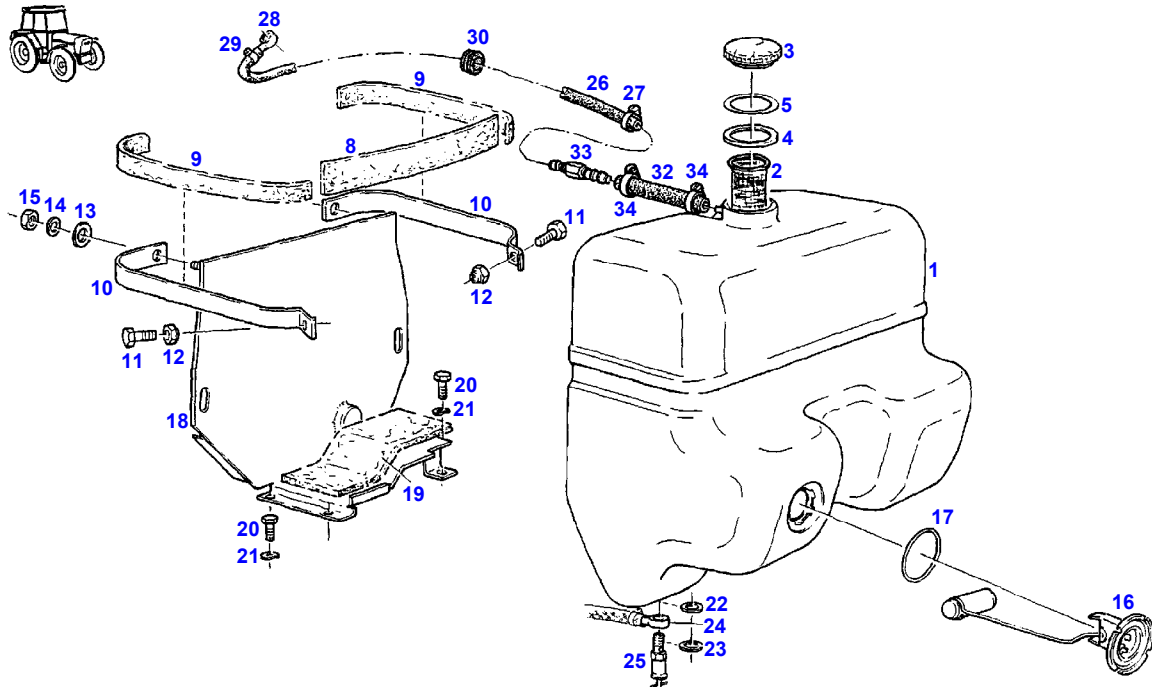
FARMER 270V (207/00001-99999)
10056



10056

Item	Part Number	Qty	Description Comments	Technical Specification
			<-- 207/0426	
1	72393661	1	HANDLE GRIP	
2	72358110	1	HAND THROTTLE LEVER	
3	72310930	1	HEX HEAD PROTECTIVE CAP	SW
4	72315650	3	HEXAGONAL HEAD BOLT	DIN 933 M8 X 20-8.8A3L
5	72311788	1	DISC	DIN 125-8,4-ST.A3L
6	72315529	1	HEXAGONAL HEAD BOLT	DIN 931 M8X50-8.8A3L
7	72379553	4	DISK SPRING	20X8,2X0,8
8	72393657	2	DISC	
9	72358108	1	REVERSING LEVER	
10	72397827	1	U-RAIL	
11	72313320	1	NUT	DIN6925-M8-8-A3L
15	72316303	4	BALL SOCKET	DIN 71805 B10-A3L
16	72317189	5	SECURING CLIP	DIN71805 S10-A3L
17	72313852	4	BALL PIN	DIN 71803-C10-ST-A3L
18	72313266	12	NUT	DIN 934 M6-8A3L
19	72317120	3	SPRING WASHER	DIN 137 B6-MECH.VZK
20	72400505	1	ROD	
25	72315679	2	HEXAGONAL HEAD BOLT	DIN 933 M10X20-8.8A3L
26	72317122	2	SPRING WASHER	DIN 137 B10-MECH.VZK
27	72363066	1	RETAINER	
28	72313268	1	NUT	DIN 934 M8-8A3L
29	72317121	3	SPRING WASHER	DIN 137 B8-MECH.VZK
30	72311848	1	DISC	
31	72363072	1	LEVER	
32	72363070	1	ADJUSTMENT LEVER	
33	72397831	1	SPACER TUBE	
34	72311788	1	DISC	DIN 125-8,4-ST.A3L
35	72315669	1	HEXAGONAL HEAD BOLT	DIN 933 M8X55-8.8A3L
38	72316362	1	BALL SOCKET	
39	72311822	3	DISC	DIN9021-6,4-140HV-A3L
40	72406864	1	THREADED ROD	
			-->207/0545	
	72406866	1	THREADED ROD	
			<--207/0546	
41	72316305	1	BALL SOCKET	10SXM03R
42	72354156	1	LEVER	
45	72406862	1	ROD	
46	72311308	1	CLEVIS	DIN 71752 G6X24-A3L
47	72310448	1	BOLT	FWN 64072 6X24 A3L
48	72363068	1	REVERSING LEVER	
49	72311804	1	DISC	DIN 433-13-ST.A3L
50	72313804	4	TENSIONING PIN	ISO8752-4X22-A-ST-ZNPHR10F-KOE
51	72363071	1	RETAINER	
52	72317123	2	SPRING WASHER	DIN 137 B12-ZNPHR
53	72315711	2	HEXAGONAL HEAD BOLT	DIN 933 M12X35-8.8A3L
55	72406861	1	ROD	
56	72311179	1	DUO-CLIP	6 SXM10
57	72397830	1	DRIVER	
58	72393653	2	BUSH	
59	72428239	1	TENSIONING PIN	ISO8752-2,5X22-OB3
60	72316505	1	LEG SPRING	
61	72363064	1	SUPPORT	
62	72363065	1	ACCELERATOR PEDAL	
63	72315631	1	HEXAGONAL HEAD BOLT	DIN 933 M6 X 20-8.8A3L
65	72377290	1	BELLOWS	
66	72363073	1	PEDAL PLATE	
67	72311791	2	DISC	DIN 125-13-ST.A3L

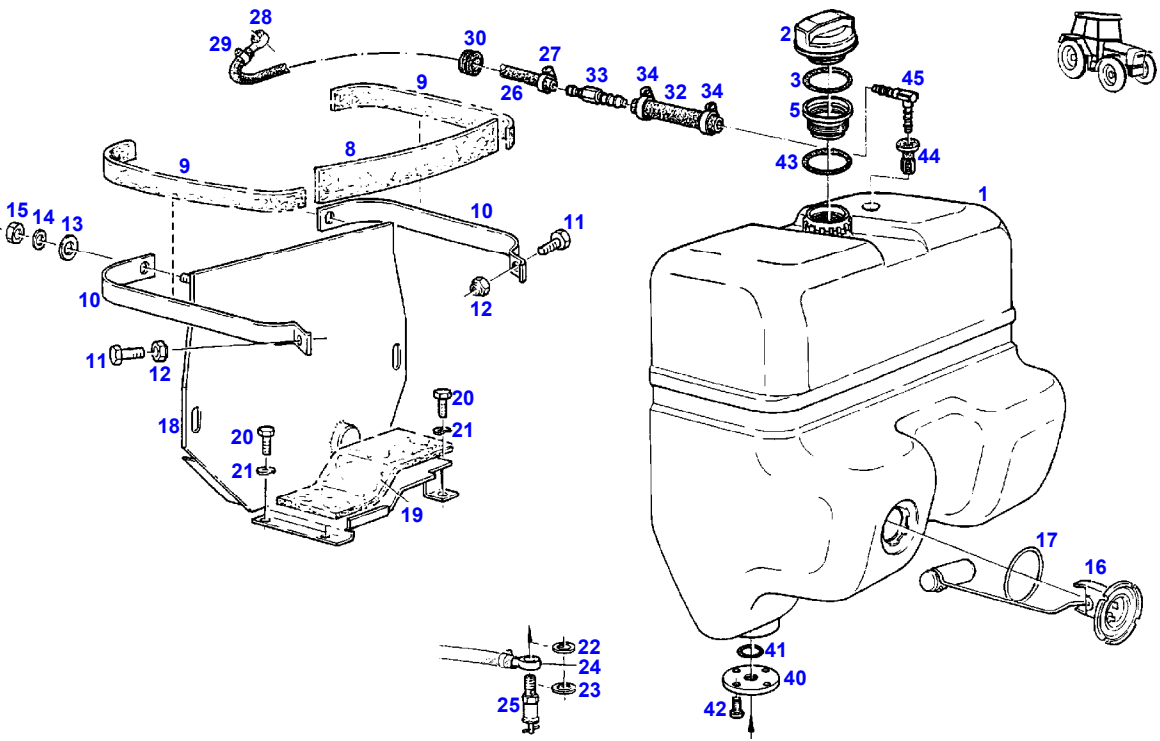
FARMER 270V (207/00001-99999)
12410



12410

Item	Part Number	Qty	Description Comments	Technical Specification
			--> 207/8175	
1	72348833	1	FUEL TANK <-- G210.202.060.011 1X CUT TO LENGTH <>	
	72424096	1	REDUCING STUD	GRS8-6
	72429641	1	PLATE	
	72315462	4	SOCKET HEAD BOLT	DIN 912 M6X12-8.8A3L
	72450302	1	PRESSURE HOSE	L=1000
	72313434	4	O-RING	15,3X2,4-NBR 70-FWN56402
	72438345	2	HOSE CLIP	
2	72433112	1	STRAINER	60X100-MS
3	72380143	1	FUEL CAP KOEHLER ><4	M.BELUEF
	72348297	1	FUEL CAP LOCKABLE BLAU ><4+5	
4	72330725	1	SEAL BLAU	
	72312304	1	RUBBER SEAL KOEHLER	
5	72330726	1	SEAL	
8	72391503	1	BAND	
9	72391504	2	BAND	
10	72391501	2	BAND CLAMP	
11	72315657	2	HEXAGONAL HEAD BOLT	DIN 933 M8 X 30-8.8A3L
12	72313320	2	NUT	DIN6925-M8-8-A3L
13	72311789	2	DISC	DIN 125-10,5-ST.A3L
14	72311788	2	DISC	DIN 125-8,4-ST.A3L
15	72313268	2	NUT	DIN 934 M8-8A3L
16	72380146	1	FUEL LEVEL SENSOR ><17	
17	72315169	1	SEALING WASHER	
18	72354745	1	TANK SUPPORT	
19	72391502	1	BAND	
20	72315642	4	HEXAGONAL HEAD BOLT	DIN 933 M8 X 16-8.8A3L
21	72317121	4	SPRING WASHER	DIN 137 B8-MECH.VZK
22	72315093	1	SEALING WASHER	DIN 7603 A12X18-CU
23	72315094	1	SEALING WASHER	DIN 7603 A14X18-CU
24	72377531	1	RING HOSE NIPPLE	FWN65910-A-DN8
25	72380159	1	FUEL SHUT-OFF VALVE	
26	72450301	1	PRESSURE HOSE WITH 3 CYLINDER 1000 MM	L=1000
	72435830	1	PRESSURE HOSE WITH 4 CYLINDER 1130 MM CUT TO LENGTH	L=2100
27	72373477	1	HOSE CLIP	
28	72377530	1	RING HOSE NIPPLE	FWN65910-A-DN2
29	72438345	1	HOSE CLIP	
30	72379152	1	CABLE BUSHING	HV1305
32	72450353	1	PRESSURE HOSE 80 MM CUT TO LENGTH	L=200
33	72424096	1	REDUCING STUD	GRS8-6
34	72438345	2	HOSE CLIP	

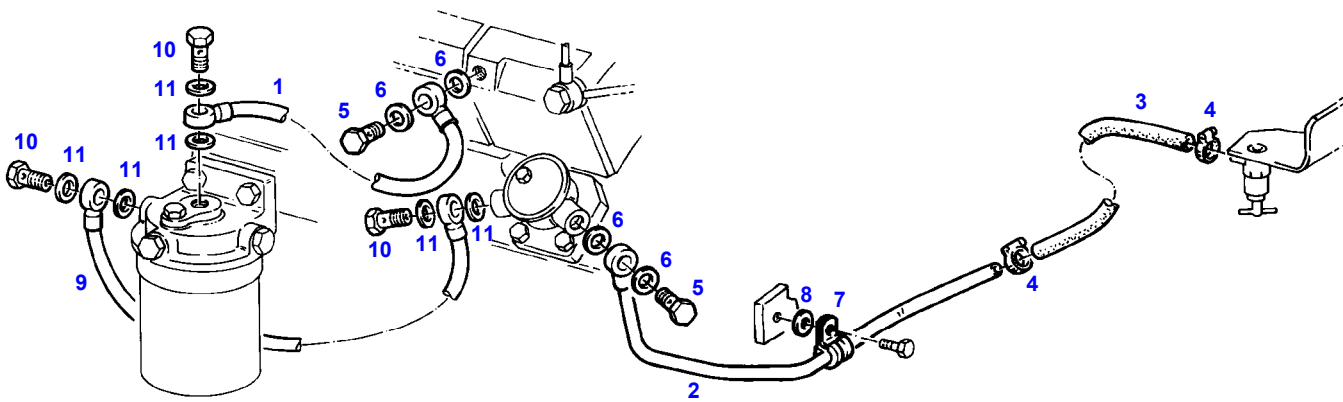
FARMER 270V (207/00001-99999)
12627



12627

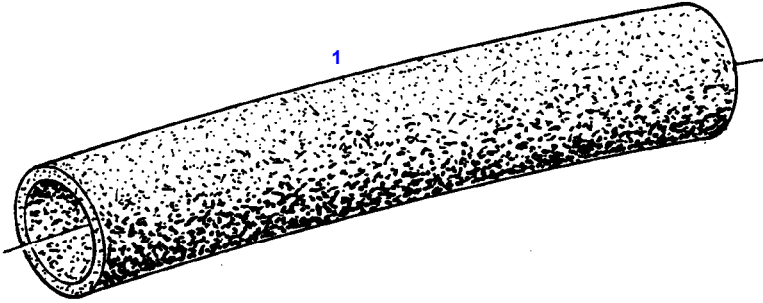
Item	Part Number	Qty	Description Comments	Technical Specification
			<-- 207/8176	
1	72426775	1	FUEL TANK ><2,3,5,40-45 <-- G210.202.060.011 <>	
	72315462	4	SOCKET HEAD BOLT	DIN 912 M6X12-8.8A3L
	72313434	4	O-RING	15,3X2,4-NBR 70-FWN56402
	72429641	1	PLATE	
2	72417260	1	FUEL CAP D=59 MM ><3	
	72423400	1	FUEL CAP D=59MM LOCKABLE ><3	
3	72376574	1	O-RING	59,2X5,7-NBR 70 FWN56402
5	72419182	1	THREADED INSERT	
8	72391503	1	BAND	
9	72391504	2	BAND	
10	72391501	2	BAND CLAMP	
11	72315657	2	HEXAGONAL HEAD BOLT	DIN 933 M8 X 30-8.8A3L
12	72313320	2	NUT	DIN6925-M8-8-A3L
13	72311789	2	DISC	DIN 125-10,5-ST.A3L
14	72311788	2	DISC	DIN 125-8,4-ST.A3L
15	72313268	2	NUT	DIN 934 M8-8A3L
16	72380146	1	FUEL LEVEL SENSOR ><17	
17	72315169	1	SEALING WASHER	
18	72354745	1	TANK SUPPORT	
19	72391502	1	BAND	
20	72315642	4	HEXAGONAL HEAD BOLT	DIN 933 M8 X 16-8.8A3L
21	72317121	4	SPRING WASHER	DIN 137 B8-MECH.VZK
22	72315093	1	SEALING WASHER	DIN 7603 A12X18-CU
23	72315094	1	SEALING WASHER	DIN 7603 A14X18-CU
24	72377531	1	RING HOSE NIPPLE	FWN65910-A-DN8
25	72380159	1	FUEL SHUT-OFF VALVE	
26	72450301	1	PRESSURE HOSE WITH 3 CYLINDER 1000 MM	L=1000
	72435830	1	PRESSURE HOSE WITH 4 CYLINDER 1130 MM CUT TO LENGTH	L=2100
27	72373477	1	HOSE CLIP	
28	72377530	1	RING HOSE NIPPLE	FWN65910-A-DN2
29	72438345	1	HOSE CLIP	
30	72379152	1	CABLE BUSHING	HV1305
32	72450353	1	PRESSURE HOSE 80 MM CUT TO LENGTH	L=200
33	72424096	1	REDUCING STUD	GRS8-6
34	72438345	2	HOSE CLIP	
40	72429641	1	PLATE	
41	72313437	1	O-RING	16X3-NBR 70 FWN56402
42	72315462	4	SOCKET HEAD BOLT	DIN 912 M6X12-8.8A3L
43	72431806	1	O-RING	75X4-NBR 70 FWN56402
44	72432122	1	RUBBER SEAL	
45	72431812	1	HOSE CONNECTOR FITTING	WS6

FARMER 270V (207/00001-99999)
5015



5015

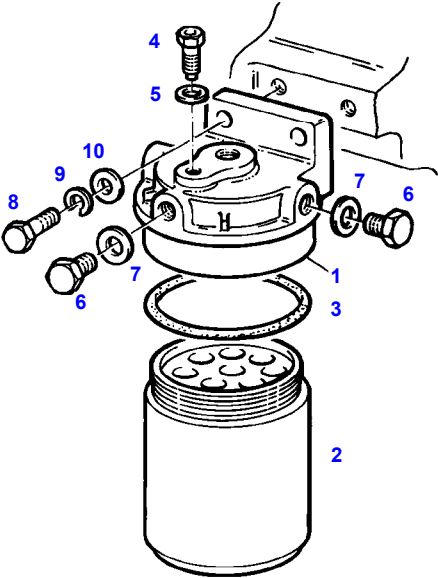
Item	Part Number	Qty	Description Comments	Technical Specification
1	72358112	1	FUEL LINE	
2	72358111	1	FUEL LINE	
3	72450303	1	PRESSURE HOSE 260 MM CUT TO LENGTH	L=1000
4	72438345	2	HOSE CLIP	
5	72315808	2	BANJO BOLT	DIN 7643-10-3-A3L
6	72315094	4	SEALING WASHER	DIN 7603 A14X18-CU
7	72311244	1	PIPE CLAMP	
8	72311788	1	DISC	DIN 125-8,4-ST.A3L
9	72355325	1	FUEL LINE	
10	72315808	3	BANJO BOLT	DIN 7643-10-3-A3L
11	72315094	6	SEALING WASHER	DIN 7603 A14X18-CU



8555

Item	Part Number	Qty	Description Comments	Technical Specification
RAPE SEED OIL METHYLATED ESTER				
1	72436293	1	HEAT SHRINK TUBING 1X 2500 MM CUT TO LENGTH	L=2600
	72436294	X	HEAT SHRINK TUBING 1X 3000 MM CUT TO LENGTH	L=3100
	72436295	1	HEAT SHRINK TUBING 1X 2000 MM CUT TO LENGTH	L=2100

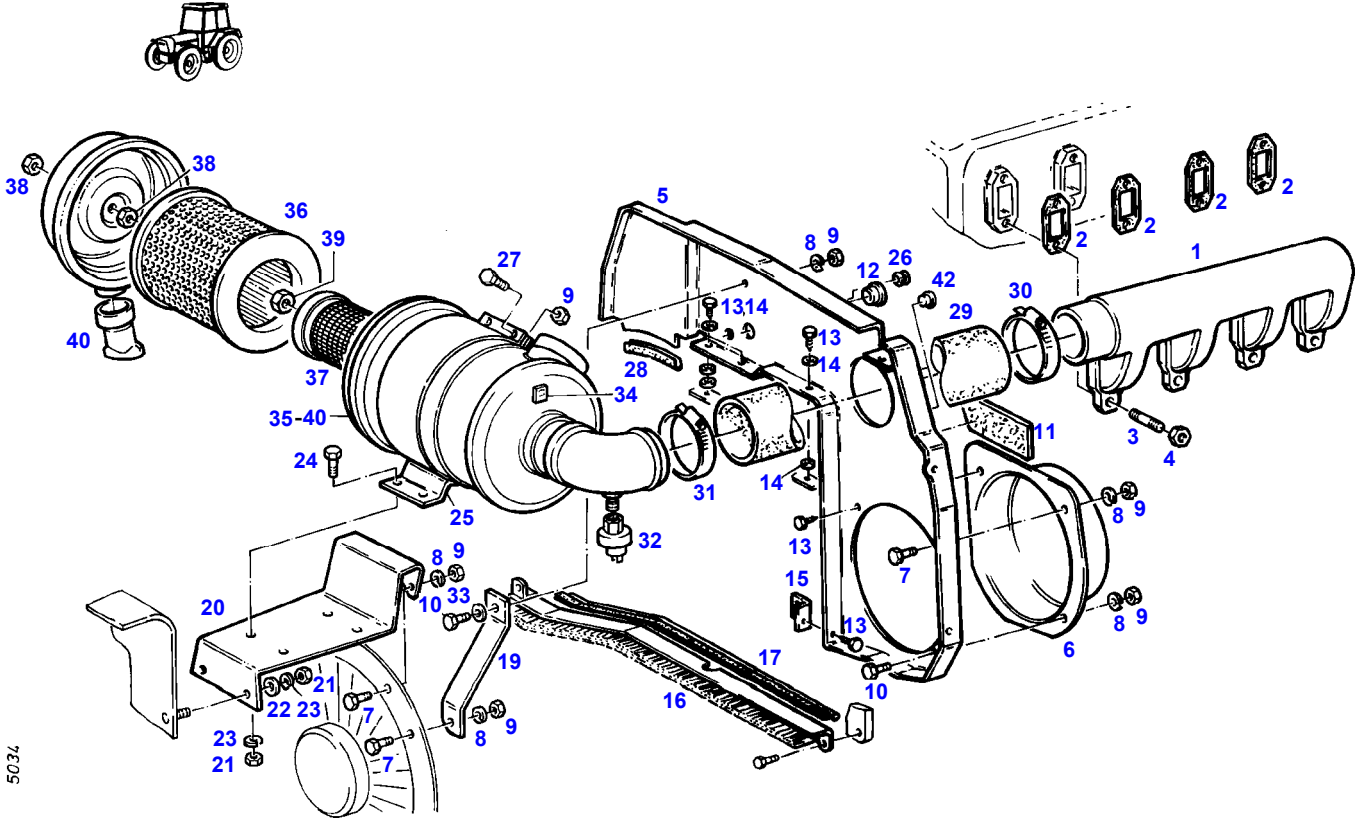
FARMER 270V (207/00001-99999)
5016



5016

Item	Part Number	Qty	Description Comments	Technical Specification
1	72329259	1	FILTER ><1-5	
2	72326245	1	FILTER BOX ><2+3	
3	72314995	1	RUBBER RING	
4	72380171	1	BLEED SCREW	
5	72315084	1	SEALING WASHER	DIN 7603 A6X10-CU
6	72315799	2	PLUG	DIN 7604 AM14X1,5-A3L
7	72315094	2	SEALING WASHER	DIN 7603 A14X18-CU
8	72315653	2	HEXAGONAL HEAD BOLT	DIN 933 M8 X 25-8.8A3L
9	72315053	2	SPLIT WASHER	FWN 65208-8-A3L
10	72311824	2	DISC	DIN9021-8,4-140HV-A3L

FARMER 270V (207/00001-99999)
5034



5034

Item	Part Number	Qty	Description Comments	Technical Specification
			--> 207/0400	
1	72323819	1	SUCTION PIPE	
2	72431538	4	SEAL REPLACE ALL SEALS	
3	72373907	8	STUD BOLT	DIN 835 M8X35-8.8
4	72313268	8	NUT	DIN 934 M8-8A3L
5	72358118	1	BARRIER WALL <>	
	72315635	2	HEXAGONAL HEAD BOLT	DIN 933 M6X35-8.8A3L
	72358131	1	TUBING	
	72397849	2	PIPE	
	72358130	1	TUBING	
6	72425052	1	COVER	
7	72315631	4	HEXAGONAL HEAD BOLT	DIN 933 M6 X 20-8.8A3L
8	72315052	6	SPLIT WASHER	FWN 65208-6-A3L
9	72313266	8	NUT	DIN 934 M6-8A3L
10	72315629	2	HEXAGONAL HEAD BOLT	DIN 933 M6 X 12-8.8A3L
11	72397836	1	INSULATING PLATE	
12	72314758	1	LOCKING PLUG	SW-F25
13	72315821	5	SCREW	DIN7976-ST6,3X19-C-A3L
14	72311787	8	DISC	DIN 125-6,4-ST.A3L
15	72397839	1	ANGLE	
16	72358113	1	SEALING BRUSH	
17	72451235	1	PROTECTIVE STRIP 1X 425 MM CUT TO LENGTH	L=700 FWN 63040
19	72397840	1	BRACE	
20	72397833	1	RETAINER	
21	72313268	6	NUT	DIN 934 M8-8A3L
22	72311788	2	DISC	DIN 125-8,4-ST.A3L
23	72315053	6	SPLIT WASHER	FWN 65208-8-A3L
24	72315642	4	HEXAGONAL HEAD BOLT	DIN 933 M8 X 16-8.8A3L
25	72361211	1	RETAINER	
26	72379151	1	CABLE BUSHING	10X16X20
27	72315633	2	HEXAGONAL HEAD BOLT	DIN 933 M6X25-8.8A3L
28	72451141	1	PROTECTIVE STRIP 1X 110 MM CUT TO LENGTH	L=800 FWN 63040
29	72397837	1	HOSE PIECE	
30	72311170	1	HOSE CLIP	
31	72373528	1	HOSE CLIP	
32	72379888	1	MAINTENANCE SWITCH	
33	72311812	1	DISC	DIN 1440-8-ST.A3L
34	72398540	1	ABSORPTION INDICATOR 1,7	
	72390400	1	ABSORPTION INDICATOR 1,2	
	72407085	1	ABSORPTION INDICATOR 0,95	
35	72348836	1	AIR FILTER ><35-40 X591 135 296 0,1M <>	
	72373528	4	HOSE CLIP	
	72358115	1	INTAKE MANIFOLD	
	72397842	1	RUBBER ARCH	
	72339032	1	THREADED SOCKET	
	72377567	0	HOSE	DIN73411-70X5 R
36	72380181	1	MICRO-STAR INSERT	
37	72333112	1	SAFETY INSERT	
38	72313320	2	NUT <>	DIN6925-M8-8-A3L
	72313299	1	NUT	DIN 936-M16X1,5-17H
39	72333111	1	NUT	

Fendt

FARMER 270V (207/00001-99999)

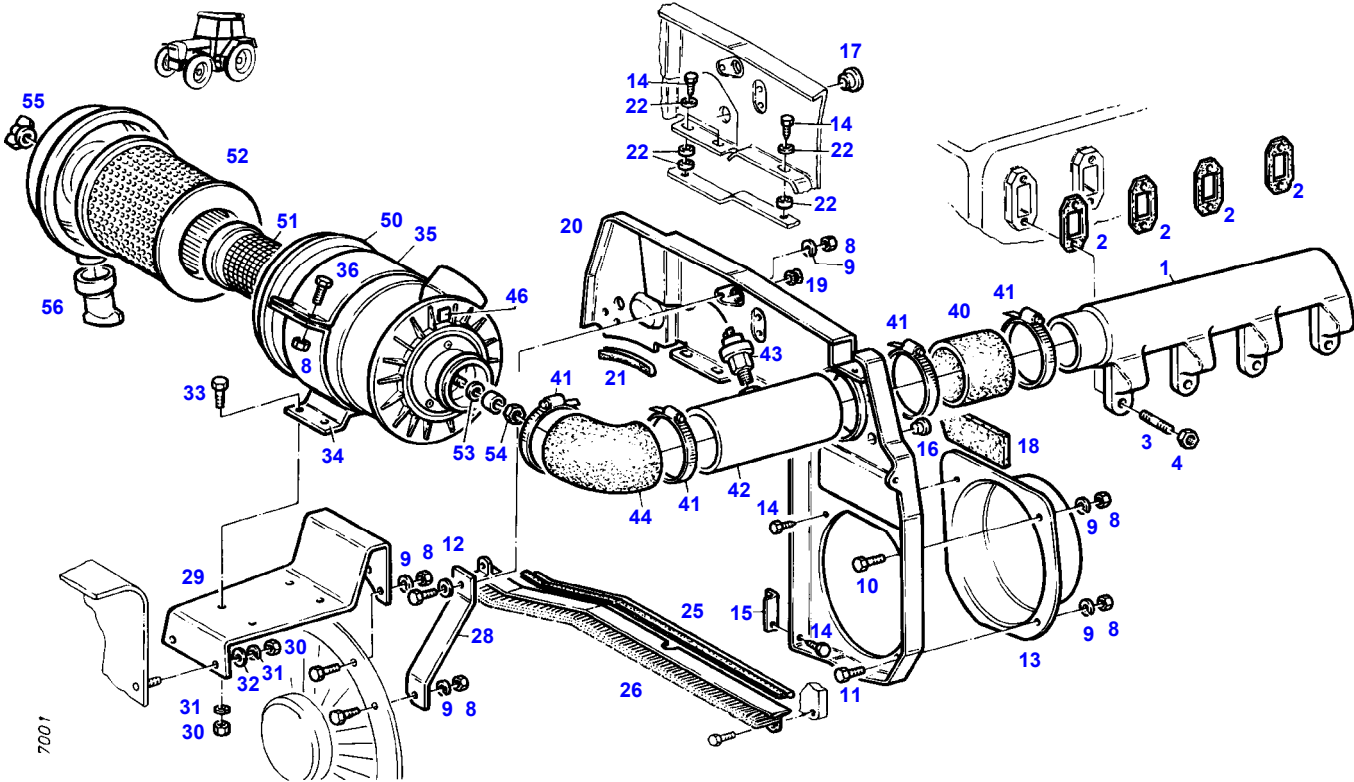
F207000

AIR FILTER

Page01-0008

Item	Part Number	Qty	Description Comments	Technical Specification
40	72332975	1	VALVE	
42	72314744	2	LOCKING PLUG	F4

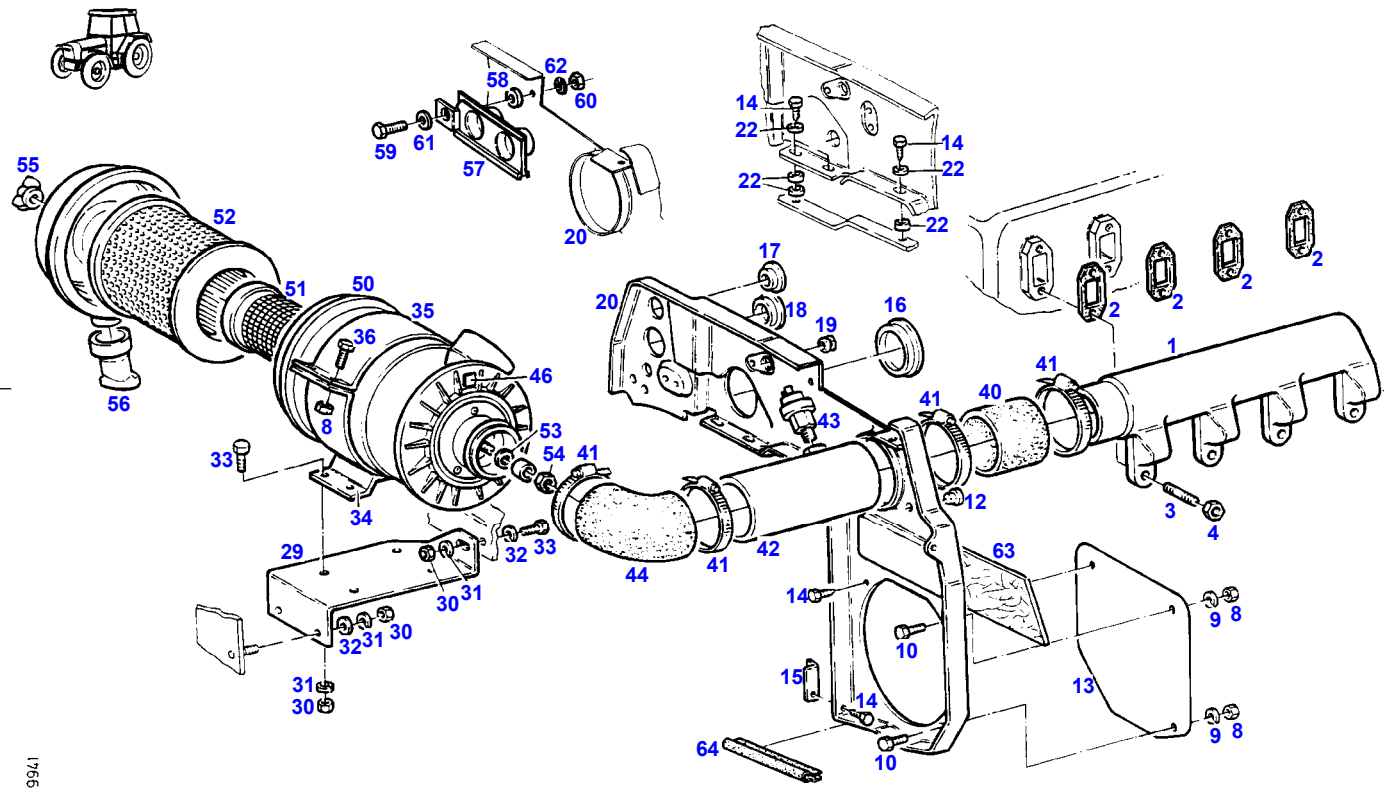
FARMER 270V (207/00001-99999)
7001



Item	Part Number	Qty	Description Comments	Technical Specification
			<-- 207/0401 --> 207/7000	
1	72323819	1	SUCTION PIPE	
2	72431538	4	SEAL REPLACE ALL SEALS	
3	72373907	8	STUD BOLT	DIN 835 M8X35-8.8
4	72313268	8	NUT	DIN 934 M8-8A3L
8	72313266	8	NUT	DIN 934 M6-8A3L
9	72315052	6	SPLIT WASHER	FWN 65208-6-A3L
10	72315631	4	HEXAGONAL HEAD BOLT	DIN 933 M6 X 20-8.8A3L
11	72315629	2	HEXAGONAL HEAD BOLT	DIN 933 M6 X 12-8.8A3L
12	72311812	1	DISC	DIN 1440-8-ST.A3L
13	72425052	1	COVER	
14	72315821	5	SCREW	DIN7976-ST6,3X19-C-A3L
15	72397839	1	ANGLE	
16	72314744	2	LOCKING PLUG F4	F4
17	72314758	1	LOCKING PLUG F25	SW-F25
18	72397836	1	INSULATING PLATE	
19	72379151	1	CABLE BUSHING	10X16X20
20	72358118	1	BARRIER WALL -->207/0720 <> <>	
	72358130	1	TUBING	
	72397849	2	PIPE	
	72358131	1	TUBING	
	72315635	2	HEXAGONAL HEAD BOLT	DIN 933 M6X35-8.8A3L
21	72451141	1	PROTECTIVE STRIP 1X 110 MM CUT TO LENGTH	L=800 FWN 63040
22	72311787	8	DISC	DIN 125-6,4-ST.A3L
25	72451235	1	PROTECTIVE STRIP 1X 425 MM CUT TO LENGTH	L=700 FWN 63040
26	72358113	1	SEALING BRUSH	
28	72397840	1	BRACE	
29	72397833	1	RETAINER	
30	72313268	6	NUT	DIN 934 M8-8A3L
31	72315053	6	SPLIT WASHER	FWN 65208-8-A3L
32	72311788	2	DISC	DIN 125-8,4-ST.A3L
33	72315642	4	HEXAGONAL HEAD BOLT	DIN 933 M8 X 16-8.8A3L
34	72358116	1	RETAINER	
35	72397841	1	CLAMP	
36	72315633	2	HEXAGONAL HEAD BOLT	DIN 933 M6X25-8.8A3L
40	72450420	1	HOSE 1X 80 MM CUT TO LENGTH	L=120 DIN73411-70X5 R
41	72373528	4	HOSE CLIP	
42	72358115	1	INTAKE MANIFOLD	
43	72316876	1	MAINTENANCE SWITCH	
44	72397842	1	RUBBER ARCH	
46	72398540	1	ABSORPTION INDICATOR 1,7	
	72390400	1	ABSORPTION INDICATOR 1,2	
	72407085	1	ABSORPTION INDICATOR 0,95	
50	72348836	1	AIR FILTER ><50-56	
51	72333112	1	SAFETY INSERT <>	
	72313299	1	NUT	DIN 936-M16X1,5-17H
52	72380181	1	MICRO-STAR INSERT	

Item	Part Number	Qty	Description Comments	Technical Specification
53	72379537	1	DISK SPRING <--207/0790	DIN 2093 A16
54	72313320	1	NUT	DIN6925-M8-8-A3L
55	72333111	1	NUT -->207/0789	
	72333113	1	WING NUT <--207/0790	
	72431470	1	SPRING NUT <--207/0790	
56	72332975	1	VALVE	

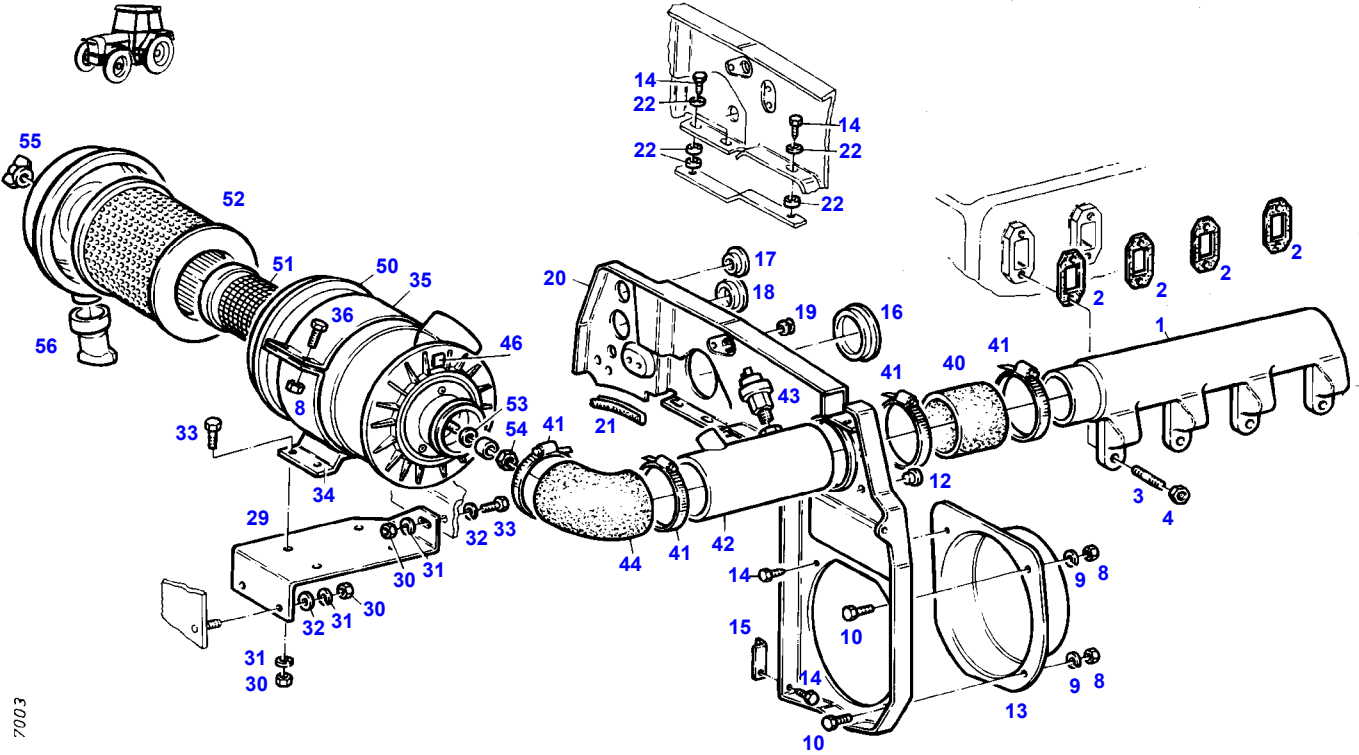
FARMER 270V (207/00001-99999)
9941



1766

Item	Part Number	Qty	Description Comments	Technical Specification
			<-- 207/7001	
1	72323819	1	SUCTION PIPE	
2	72431538	4	SEAL REPLACE ALL SEALS	
3	72373907	8	STUD BOLT	DIN 835 M8X35-8.8
4	72313268	8	NUT	DIN 934 M8-8A3L
8	72313266	4	NUT	DIN 934 M6-8A3L
9	72315052	2	SPLIT WASHER	FWN 65208-6-A3L
10	72315629	2	HEXAGONAL HEAD BOLT	DIN 933 M6 X 12-8.8A3L
12	72314744	2	LOCKING PLUG F4	F4
13	72400510	1	COVER	
14	72315821	5	SCREW	DIN7976-ST6,3X19-C-A3L
15	72397839	1	ANGLE	
16	72402786	1	COVER	
17	72375089	1	LOCKING PLUG F23	F233
18	72314761	1	LOCKING PLUG F31	F31
19	72379152	1	CABLE BUSHING	HV1305
20	72359721	1	BARRIER WALL	
22	72311787	8	DISC	DIN 125-6,4-ST.A3L
29	72400508	1	RETAINER	
30	72313268	7	NUT	DIN 934 M8-8A3L
31	72315053	7	SPLIT WASHER	FWN 65208-8-A3L
32	72311788	2	DISC	DIN 125-8,4-ST.A3L
33	72315642	5	HEXAGONAL HEAD BOLT	DIN 933 M8 X 16-8.8A3L
34	72358116	1	RETAINER	
35	72397841	1	CLAMP	
36	72315633	2	HEXAGONAL HEAD BOLT	DIN 933 M6X25-8.8A3L
40	72450420	1	HOSE 1X 80 MM CUT TO LENGTH	L=120 DIN73411-70X5 R
41	72373528	4	HOSE CLIP	
42	72358115	1	INTAKE MANIFOLD	
43	72316876	1	MAINTENANCE SWITCH	
44	72397842	1	RUBBER ARCH	
46	72398540	1	ABSORPTION INDICATOR 1,7	
	72390400	1	ABSORPTION INDICATOR 1,2	
	72407085	1	ABSORPTION INDICATOR 0,95	
50	72348836	1	AIR FILTER ><50-56	
51	72333112	1	SAFETY INSERT <>	
	72313299	1	NUT	DIN 936-M16X1,5-17H
52	72380181	1	MICRO-STAR INSERT	
53	72379537	1	DISK SPRING	DIN 2093 A16
54	72313320	1	NUT	DIN6925-M8-8-A3L
55	72333113	1	WING NUT	
	72431470	1	SPRING NUT	
56	72332975	1	VALVE	
57	72315927	1	SEAL	
58	72311894	1	DISC	
59	72315633	1	HEXAGONAL HEAD BOLT	DIN 933 M6X25-8.8A3L
60	72313266	1	NUT	DIN 934 M6-8A3L
61	72311822	1	DISC	DIN9021-6,4-140HV-A3L
62	72315052	1	SPLIT WASHER	FWN 65208-6-A3L
63	72397836	1	INSULATING PLATE	
64	72451235	1	PROTECTIVE STRIP 1X 175 MM CUT TO LENGTH	L=700 FWN 63040

FARMER 270V (207/00001-99999)
7003



7003

Item	Part Number	Qty	Description Comments	Technical Specification
AIR SUPPLY EQUIPMENT AND/OR ARI COND. --> 207/7000				
1	72323819	1	SUCTION PIPE	
2	72431538	4	SEAL REPLACE ALL SEALS	
3	72373907	8	STUD BOLT	DIN 835 M8X35-8.8
4	72313268	8	NUT	DIN 934 M8-8A3L
8	72313266	4	NUT	DIN 934 M6-8A3L
9	72315052	2	SPLIT WASHER	FWN 65208-6-A3L
10	72315629	2	HEXAGONAL HEAD BOLT	DIN 933 M6 X 12-8.8A3L
12	72314744	2	LOCKING PLUG F4	F4
13	72425052	1	COVER	
14	72315821	5	SCREW	DIN7976-ST6,3X19-C-A3L
15	72397839	1	ANGLE	
16	72402786	1	COVER	
17	72375089	1	LOCKING PLUG F23	F233
18	72314761	1	LOCKING PLUG F31	F31
19	72379152	1	CABLE BUSHING	HV1305
20	72359721	1	BARRIER WALL	
21	72451141	1	PROTECTIVE STRIP 1X110MM CUT TO LENGTH	L=800 FWN 63040
22	72311787	8	DISC	DIN 125-6,4-ST.A3L
29	72400508	1	RETAINER	
30	72313268	7	NUT	DIN 934 M8-8A3L
31	72315053	7	SPLIT WASHER	FWN 65208-8-A3L
32	72311788	2	DISC	DIN 125-8,4-ST.A3L
33	72315642	5	HEXAGONAL HEAD BOLT	DIN 933 M8 X 16-8.8A3L
34	72358116	1	RETAINER	
35	72397841	1	CLAMP	
36	72315633	2	HEXAGONAL HEAD BOLT	DIN 933 M6X25-8.8A3L
40	72450420	1	HOSE 1X 110MM	L=120 DIN73411-70X5 R
41	72373528	4	HOSE CLIP	
42	72359719	1	INTAKE MANIFOLD AIR BRAKING SYSTEM AIR SUPPLY EQUIPMENT WITH ARI CONDITION <>	
	72315797	1	PLUG SCREW	DIN 7604 AM10X1-ST A3L
	72315088	1	SEALING WASHER	DIN 7603 A10X13,5-CU
	72358115	1	INTAKE MANIFOLD AIR CONDITION	
43	72316876	1	MAINTENANCE SWITCH	
44	72397842	1	RUBBER ARCH	
46	72398540	1	ABSORPTION INDICATOR 1,7	
	72390400	1	ABSORPTION INDICATOR 1,2	
	72407085	1	ABSORPTION INDICATOR 0,95	
50	72348836	1	AIR FILTER ><50-56	
51	72333112	1	SAFETY INSERT <>	
	72313299	1	NUT	DIN 936-M16X1,5-17H
52	72380181	1	MICRO-STAR INSERT	
53	72379537	1	DISK SPRING <--207/0790	DIN 2093 A16
54	72313320	1	NUT	DIN6925-M8-8-A3L
55	72333111	1	NUT -->207/0789	

Fendt

FARMER 270V (207/00001-99999)

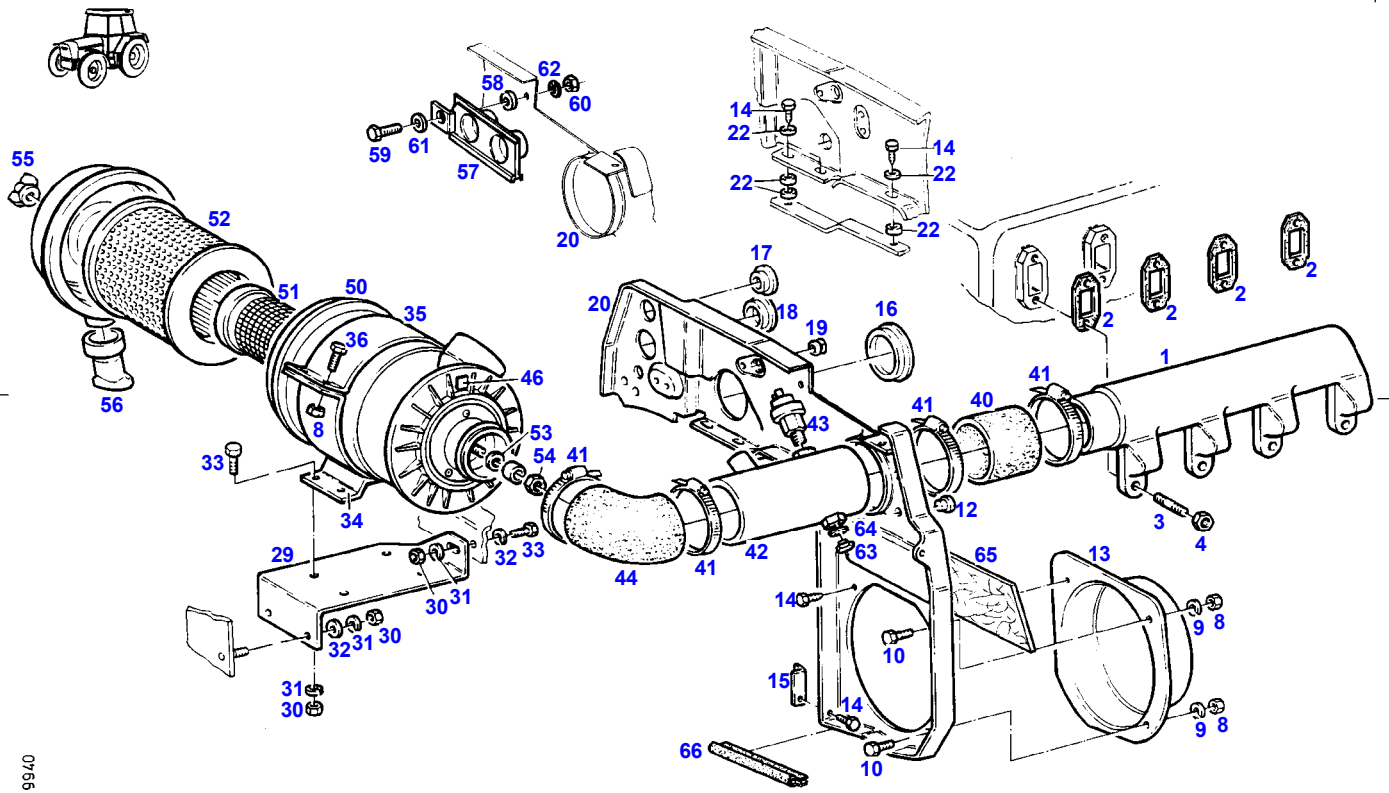
F207000

AIR FILTER

Page01-0011

Item	Part Number	Qty	Description Comments	Technical Specification
	72333113	1	WING NUT <--207/0790	
	72431470	1	SPRING NUT <--207/0790	
56	72332975	1	VALVE	

FARMER 270V (207/00001-99999)
9940



9940

Item	Part Number	Qty	Description Comments	Technical Specification
			WITH AIR CONDITION <-- 207/7001	
1	72323819	1	SUCTION PIPE	
2	72431538	4	SEAL REPLACE ALL SEALS	
3	72373907	8	STUD BOLT	DIN 835 M8X35-8.8
4	72313268	8	NUT	DIN 934 M8-8A3L
8	72313266	4	NUT	DIN 934 M6-8A3L
9	72315052	2	SPLIT WASHER	FWN 65208-6-A3L
10	72315629	2	HEXAGONAL HEAD BOLT	DIN 933 M6 X 12-8.8A3L
12	72314744	2	LOCKING PLUG F4	F4
13	72425052	1	COVER WITH AIR CONDITION	
14	72315821	5	SCREW	DIN7976-ST6,3X19-C-A3L
15	72397839	1	ANGLE	
16	72402786	1	COVER	
17	72375089	1	LOCKING PLUG F23	F233
18	72314761	1	LOCKING PLUG F31	F31
19	72379152	1	CABLE BUSHING	HV1305
20	72359721	1	BARRIER WALL	
22	72311787	8	DISC	DIN 125-6,4-ST.A3L
29	72400508	1	RETAINER	
30	72313268	7	NUT	DIN 934 M8-8A3L
31	72315053	7	SPLIT WASHER	FWN 65208-8-A3L
32	72311788	2	DISC	DIN 125-8,4-ST.A3L
33	72315642	5	HEXAGONAL HEAD BOLT	DIN 933 M8 X 16-8.8A3L
34	72358116	1	RETAINER	
35	72397841	1	CLAMP	
36	72315633	2	HEXAGONAL HEAD BOLT	DIN 933 M6X25-8.8A3L
40	72450420	1	HOSE 1X 110MM	L=120 DIN73411-70X5 R
41	72373528	4	HOSE CLIP	
42	72358115	1	INTAKE MANIFOLD AIR CONDITION	
43	72316876	1	MAINTENANCE SWITCH	
44	72397842	1	RUBBER ARCH	
46	72398540	1	ABSORPTION INDICATOR 1,7	
	72390400	1	ABSORPTION INDICATOR 1,2	
	72407085	1	ABSORPTION INDICATOR 0,95	
50	72348836	1	AIR FILTER ><50-56	
51	72333112	1	SAFETY INSERT <>	
	72313299	1	NUT	DIN 936-M16X1,5-17H
52	72380181	1	MICRO-STAR INSERT	
53	72379537	1	DISK SPRING	DIN 2093 A16
54	72313320	1	NUT	DIN6925-M8-8-A3L
55	72333113	1	WING NUT	
	72431470	1	SPRING NUT	
56	72332975	1	VALVE	
57	72315927	1	SEAL	
58	72311894	1	DISC	
59	72315633	1	HEXAGONAL HEAD BOLT	DIN 933 M6X25-8.8A3L
60	72313266	1	NUT	DIN 934 M6-8A3L
61	72311822	1	DISC	DIN9021-6,4-140HV-A3L
62	72315052	1	SPLIT WASHER	FWN 65208-6-A3L
63	72315797	1	PLUG SCREW	DIN 7604 AM10X1-ST A3L
64	72315088	1	SEALING WASHER	DIN 7603 A10X13,5-CU

Fendt

FARMER 270V (207/00001-99999)

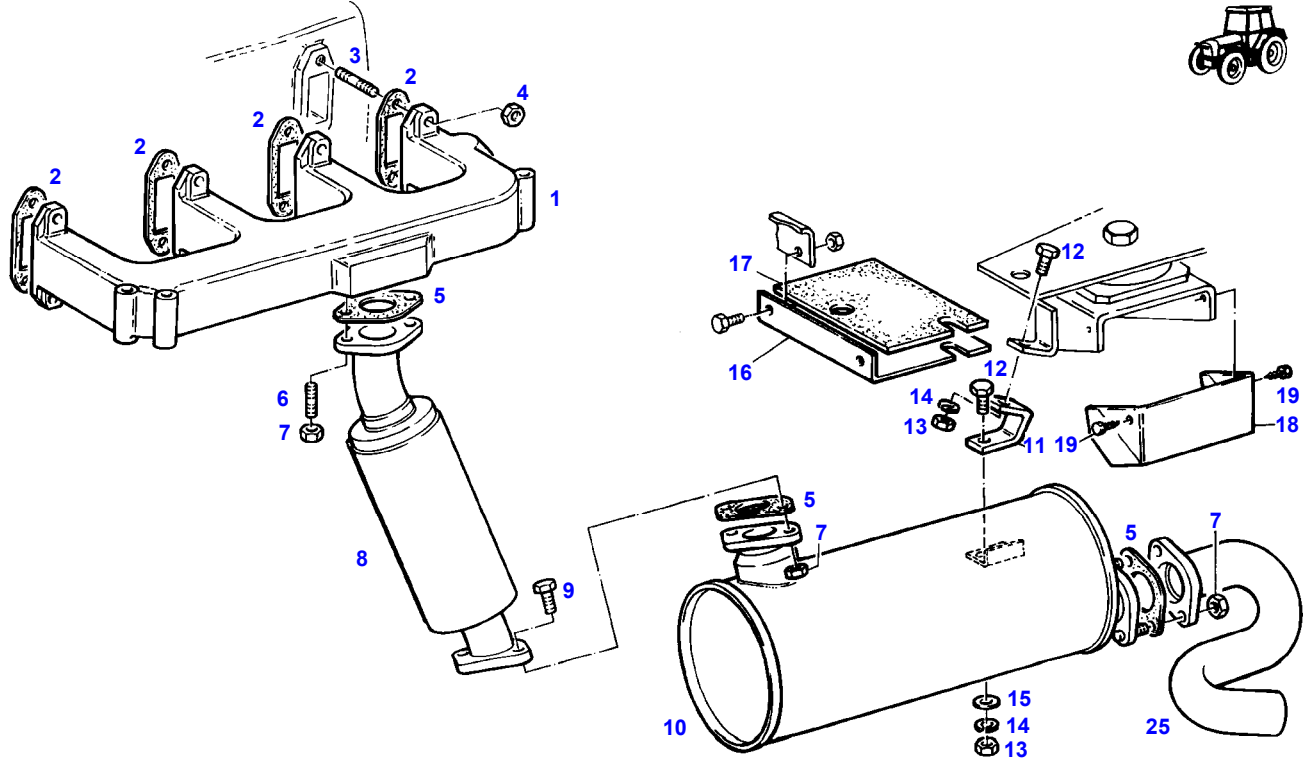
F207000

AIR FILTER

Page01-0012

Item	Part Number	Qty	Description Comments	Technical Specification
65	72397836	1	INSULATING PLATE	
66	72451235	1	PROTECTIVE STRIP 1X 175 MM CUT TO LENGTH	L=700 FWN 63040

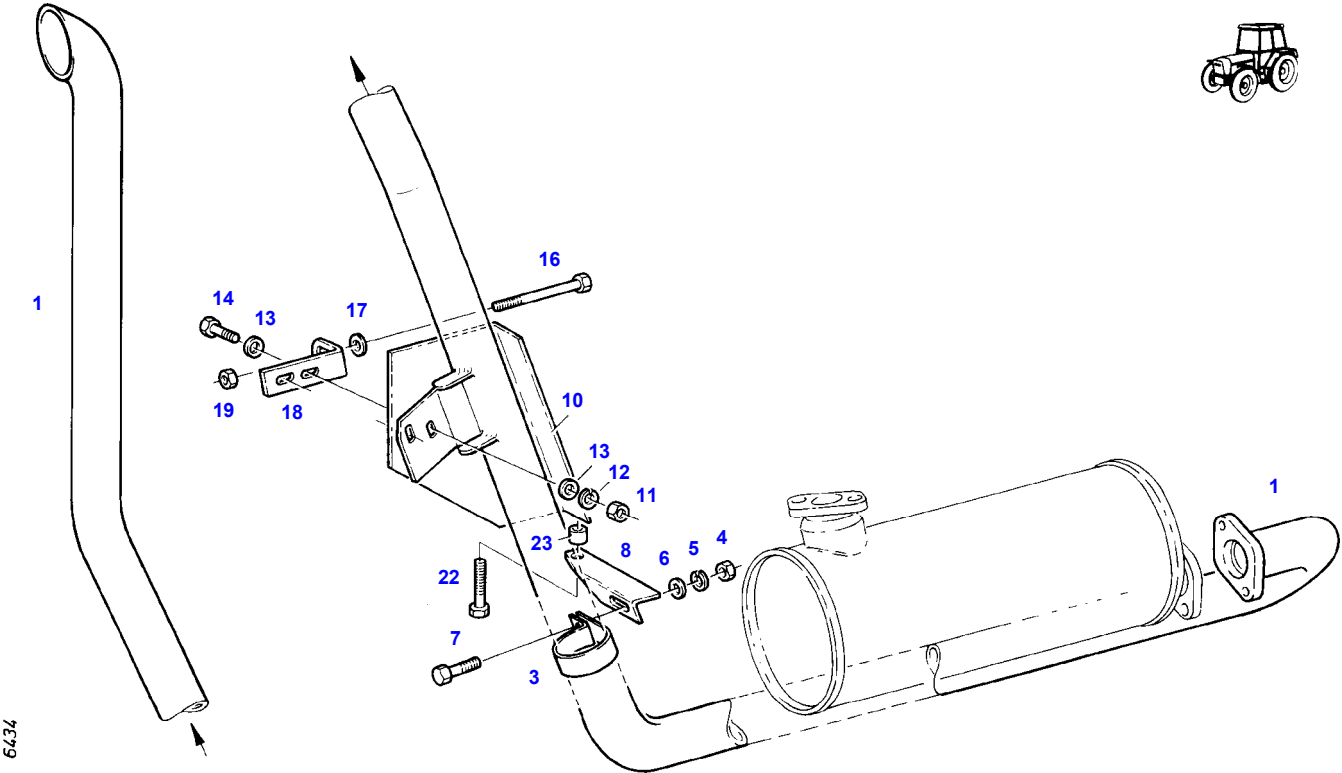
FARMER 270V (207/00001-99999)
5022



5022

Item	Part Number	Qty	Description Comments	Technical Specification
1	72398541	1	EXHAUST COLLECTING PIPE	
2	72431541	4	SEAL REPLACE ALL SEALS	
3	72373907	8	STUD BOLT	DIN 835 M8X35-8.8
4	72324283	8	NUT	
5	72376173	3	SEAL	DIN71511-56X82X1,5-ST AFM5M.E.
6	72313776	2	STUD BOLT	DIN 939 M10X25-8.8
7	72313273	6	NUT	DIN 934 M10-MS
8	72358122	1	FRONT SILENCER	
9	72315685	2	HEXAGONAL HEAD BOLT	DIN 933 M10X30-8.8A3L
10	72363174	1	MUFFLER	
11	72397843	1	ANGLE	
12	72315646	2	HEXAGONAL HEAD BOLT	DIN 933 M8X18-8.8A3L
13	72313268	2	NUT	DIN 934 M8-8A3L
14	72315053	2	SPLIT WASHER	FWN 65208-8-A3L
15	72311788	1	DISC	DIN 125-8,4-ST.A3L
16	72397846	1	SPLASH PANEL	
17	72397847	1	INSULATING PLATE	
18	72397845	1	SCREENING SHIELD	
19	72315820	2	SCREW	DIN7976-ST6,3X13-C-A3L
25	72358142	1	TAIL PIPE	

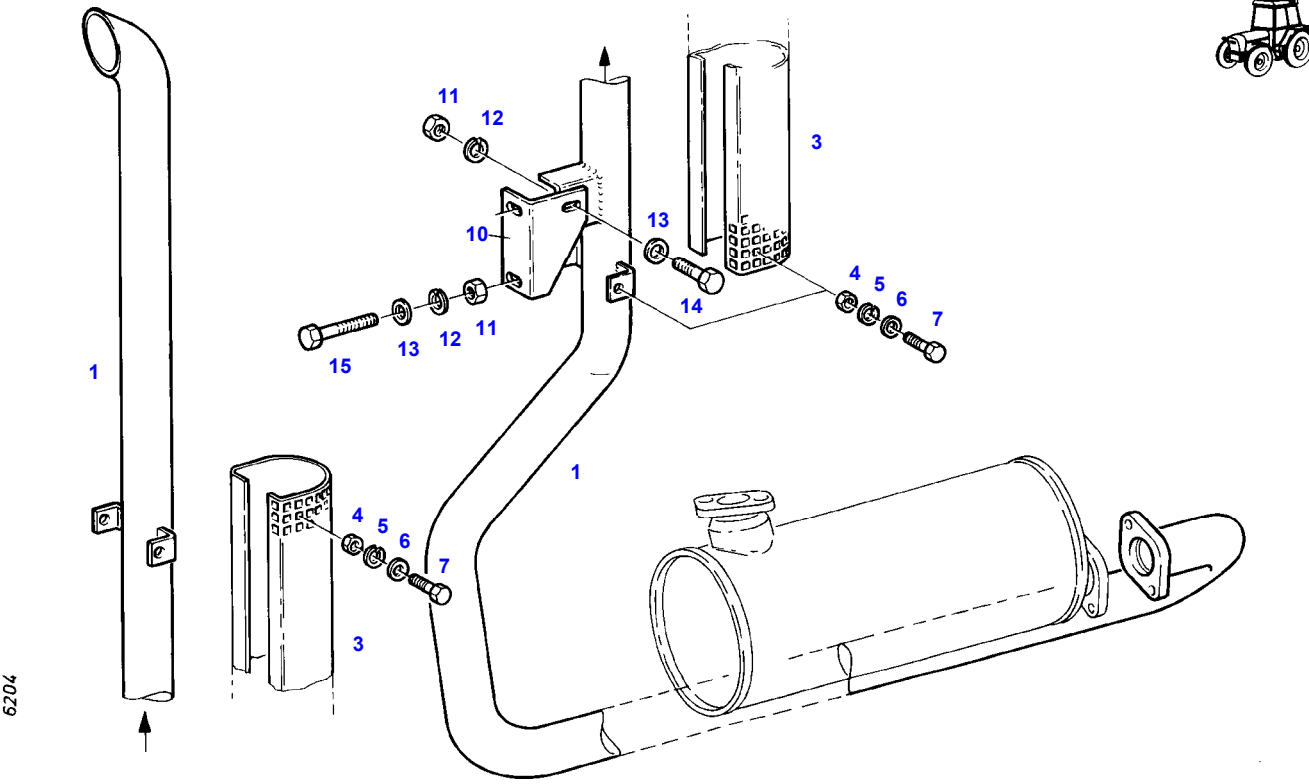
FARMER 270V (207/00001-99999)
6434



6434

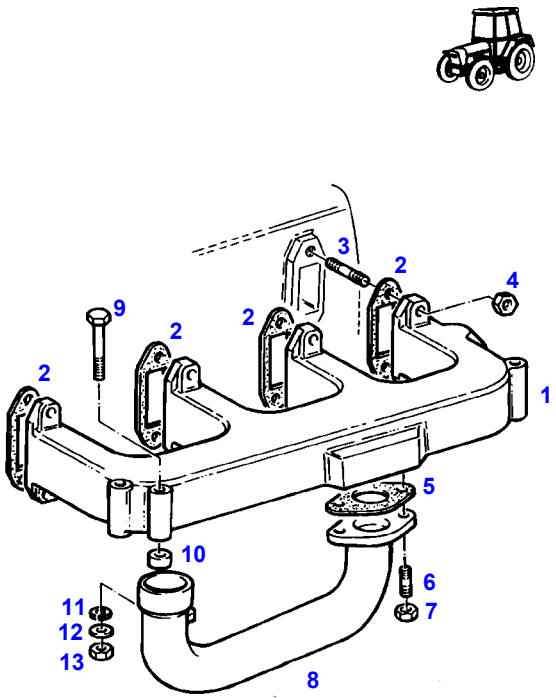
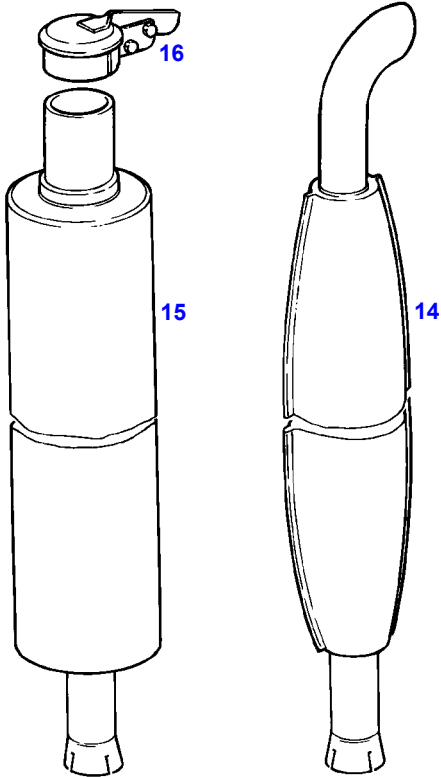
Item	Part Number	Qty	Description Comments	Technical Specification
			UPRIGHT	
1	72359730	1	TAIL PIPE	
3	72408227	1	CLAMP	
4	72313266	1	NUT	DIN 934 M6-8A3L
5	72315052	1	SPLIT WASHER	FWN 65208-6-A3L
6	72311787	1	DISC	DIN 125-6,4-ST.A3L
7	72315626	1	HEXAGONAL HEAD BOLT	DIN 933-M6 X 16-8.8-A3L
8	72397857	1	ANGLE	
10	72397853	1	SCREENING SHIELD	
	72397855	1	SCREENING SHIELD 77DB(A)	
11	72313268	2	NUT	DIN 934 M8-8A3L
12	72315053	2	SPLIT WASHER	FWN 65208-8-A3L
13	72311788	4	DISC	DIN 125-8,4-ST.A3L
14	72315651	2	HEXAGONAL HEAD BOLT	DIN 933 M8X22-8.8A3L
16	72315701	1	HEXAGONAL HEAD BOLT	DIN 933-M10X120-8.8-A3L
17	72311789	1	DISC	DIN 125-10,5-ST.A3L
18	72400514	1	ANGLE	
19	72313272	1	NUT	DIN 934 M10-8A3L
22	72315665	1	HEXAGONAL HEAD BOLT	DIN 933 M8X45-8.8A3L
23	72316967	1	SPACER TUBE	

FARMER 270V (207/00001-99999)
6204



Item	Part Number	Qty	Description Comments	Technical Specification
			UPRIGHT FRONTLOADER --> 207/7000	
1	72359728	1	TAIL PIPE	
3	72400513	1	SCREENING SHIELD	
4	72313264	4	NUT	DIN 934 M5-8A3L
5	72315051	4	SPLIT WASHER	FWN 65208-5-A3L
6	72311818	4	DISC	DIN9021-5,3-140HV-A3L
7	72315619	4	HEXAGONAL HEAD BOLT	DIN 933 M5X16-8.8A3L
10	72400512	1	ANGLE	
11	72313268	3	NUT	DIN 934 M8-8A3L
12	72315053	3	SPLIT WASHER	FWN 65208-8-A3L
13	72311788	4	DISC	DIN 125-8,4-ST.A3L
14	72315653	1	HEXAGONAL HEAD BOLT	DIN 933 M8 X 25-8.8A3L
15	72315665	2	HEXAGONAL HEAD BOLT	DIN 933 M8X45-8.8A3L

FARMER 270V (207/00001-99999)
5020



5020

Thank you so much for reading.
Please click the “Buy Now!”
button below to download the
complete manual.



After you pay.

You can download the most
perfect and complete manual in
the world immediately.

Our support email:

ebooklibonline@outlook.com