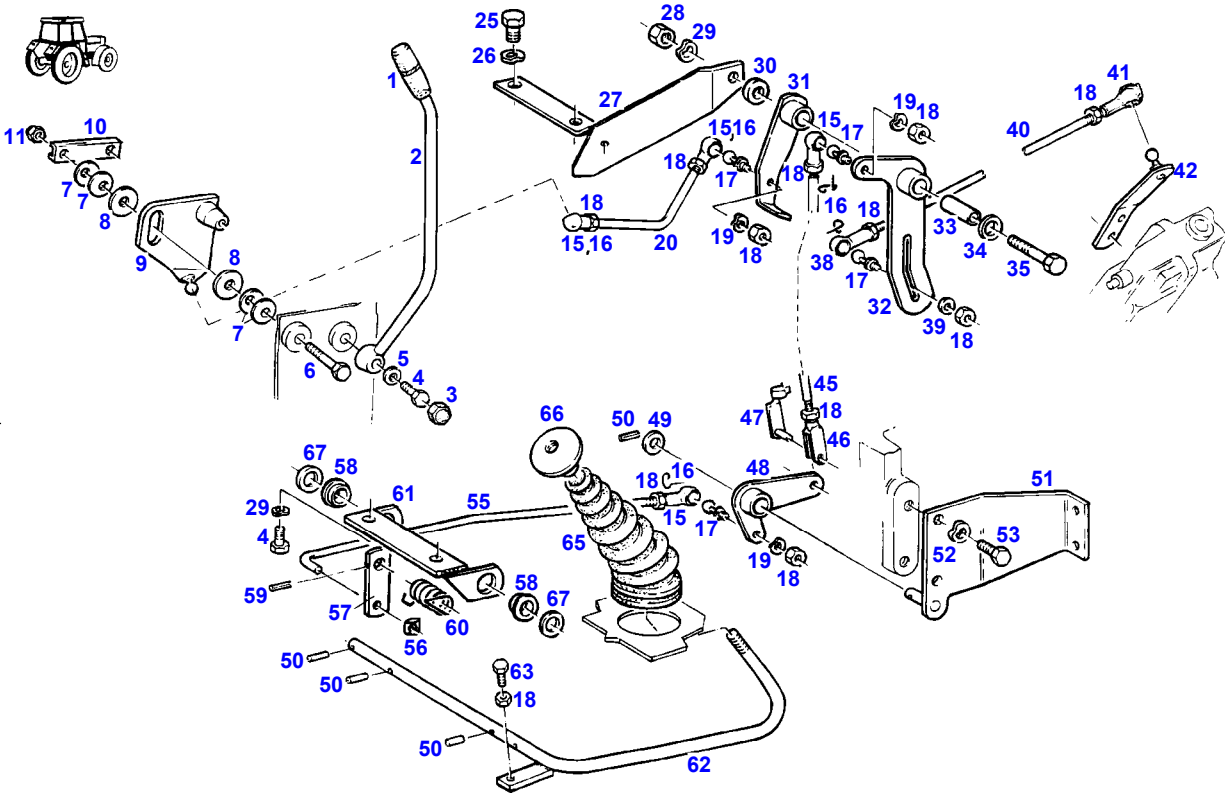


**TABLE OF CONTENT**

<b>Page Number</b>	<b>Page Title</b>	<b>Page Reference</b>
01-000-TOC	ENGINE, FUEL AND EXHAUST SYSTEM	01-000-TOC
02-000-TOC	AXLES	02-000-TOC
03-000-TOC	STEERING SYSTEM	03-000-TOC
04-000-TOC	DRIVE TRAIN SYSTEM	04-000-TOC
05-000-TOC	HYDRAULIC SYSTEM	05-000-TOC
06-000-TOC	ELECTRICAL SYSTEM	06-000-TOC
07-000-TOC	CAB	07-000-TOC
08-000-TOC	AIR CONDITIONING AND HEATING SYSTEM	08-000-TOC
09-000-TOC	CHASSIS	09-000-TOC
10-000-TOC	WHEELS	10-000-TOC
11-000-TOC	IMPLEMENT LIFT SYSTEM FRONT	11-000-TOC
12-000-TOC	IMPLEMENT LIFT SYSTEM REAR	12-000-TOC
13-000-TOC	ACCESSORIES	13-000-TOC

Page Number	Page Title	Page Reference
01-0001	SPEED CONTROL	2010
01-0002	FUEL TANK --> 208/8785	2020
01-0003	FUEL TANK <-- 208/8786	2025
01-0004	FUEL LINES	2030
01-0005	SHRINK HOSE RAPE SEED OIL METHYLATED ESTER	2035
01-0006	FUEL FILTER	2040
01-0007	AIR FILTER	2055
01-0008	AIR FILTER WITH AIR CONDITION	2060
01-0009	EXHAUST TO BOTTOM	2070
01-0010	TAIL PIPE UPRIGHT	2080
01-0011	EXHAUST UPRIGHT	2095
01-0012	COLD STARTING AID	2110
01-0013	ENGINE STOP	2123
01-0014	ENGINE STOP RESERVE GEARS SHIFT	2126
01-0015	CRANKCASE	2130
01-0016	INTERM. GEAR WHEEL --> 208/8582 <-- 208/8584 --> 208/8733	2140
01-0017	INTERM. GEAR WHEEL <-- 208/8583 --> 208/8583 <-- 208/8734	2141
01-0018	FRONT COVER	2150
01-0019	BREATHER PIPE	2160
01-0020	CYLINDER --> 208/8582 <-- 208/8584 --> 208/8733	2175
01-0021	CYLINDER <-- 208/8583 --> 208/8583 <-- 208/8734	2176
01-0022	MASS BALANCER	2180
01-0023	CRANKSHAFT	2190
01-0024	PISTON --> 208/8582 <-- 208/8584 --> 208/8733	2200
01-0025	PISTON <-- 208/8583 --> 208/8583 <-- 208/8734	2201
01-0026	CAMSHAFT	2210
01-0027	VALVE DRIVE	2220
01-0028	OIL PAN	2230
01-0029	OIL PUMP	2240
01-0030	OIL COOLER	2250
01-0031	OIL FILTER	2260
01-0032	SUPPLY LINES	2270
01-0033	LEAK OIL LINE	2280
01-0034	INJECTION PUMP	2285
01-0035	REG. ROD LIMITATION	2293
01-0036	FUEL PUMP	2295
01-0037	INJECTOR VALVE	2310
01-0038	COOLING AIR BLOWER	2325
01-0039	FAN PANELLING	2330
01-0040	FAN	2345

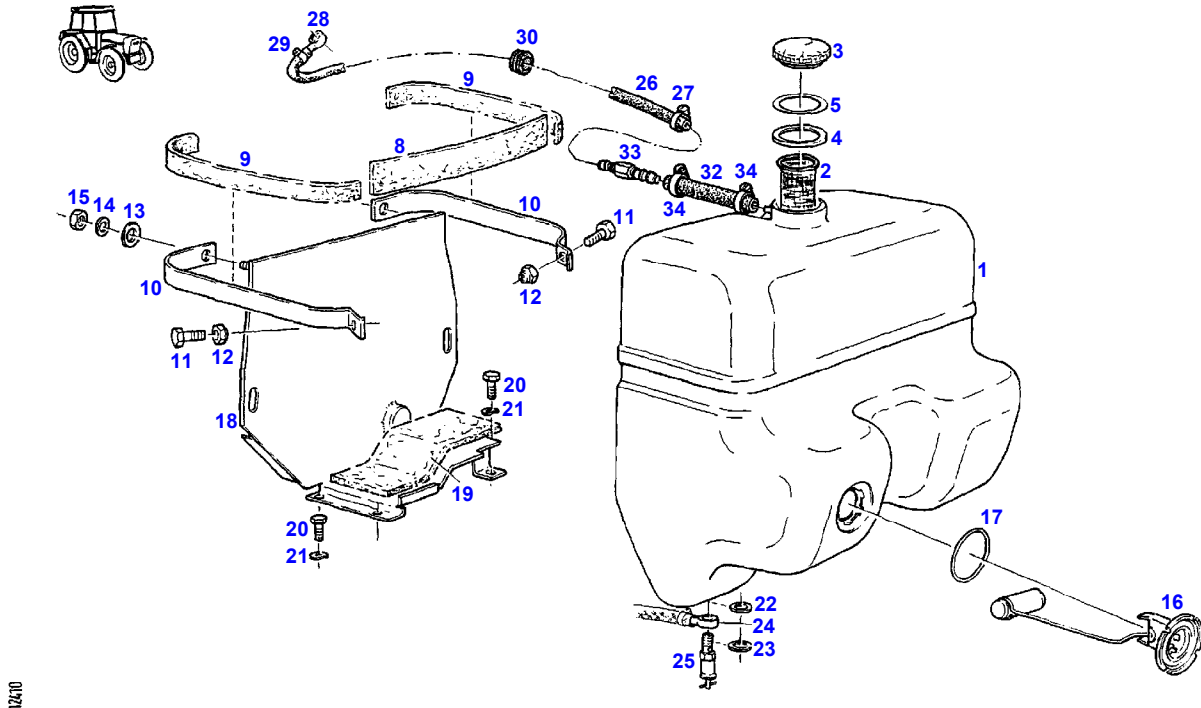
FARMER 280V (208/07001-99999)  
10056



10056

Item	Part Number	Qty	Description Comments	Technical Specification
1	72393661	1	HANDLE GRIP	
2	72358110	1	HAND THROTTLE LEVER	
3	72310930	1	HEX HEAD PROTECTIVE CAP	SW
4	72315650	3	HEXAGONAL HEAD BOLT	DIN 933 M8 X 20-8.8A3L
5	72311788	1	DISC	DIN 125-8,4-ST.A3L
6	72315529	1	HEXAGONAL HEAD BOLT	DIN 931 M8X50-8.8A3L
7	72379553	4	DISK SPRING	20X8,2X0,8
8	72393657	2	DISC	
9	72358108	1	REVERSING LEVER	
10	72397827	1	U-RAIL	
11	72313320	1	NUT	DIN6925-M8-8-A3L
15	72316303	4	BALL SOCKET	DIN 71805 B10-A3L
16	72317189	5	SECURING CLIP	DIN71805 S10-A3L
17	72313852	4	BALL PIN	DIN 71803-C10-ST-A3L
18	72313266	12	NUT	DIN 934 M6-8A3L
19	72317120	3	SPRING WASHER	DIN 137 B6-MECH.VZK
20	72400505	1	ROD	
25	72315679	2	HEXAGONAL HEAD BOLT	DIN 933 M10X20-8.8A3L
26	72317122	2	SPRING WASHER	DIN 137 B10-MECH.VZK
27	72363066	1	RETAINER	
28	72313268	1	NUT	DIN 934 M8-8A3L
29	72317121	3	SPRING WASHER	DIN 137 B8-MECH.VZK
30	72311848	1	DISC	
31	72363072	1	LEVER	
32	72363070	1	ADJUSTMENT LEVER	
33	72397831	1	SPACER TUBE	
34	72311788	1	DISC	DIN 125-8,4-ST.A3L
35	72315669	1	HEXAGONAL HEAD BOLT	DIN 933 M8X55-8.8A3L
38	72316362	1	BALL SOCKET	
39	72311822	3	DISC	DIN9021-6,4-140HV-A3L
40	72406866	1	THREADED ROD	
41	72316305	1	BALL SOCKET	10SXN03R
42	72354156	1	LEVER	
45	72406862	1	ROD	
46	72311308	1	CLEVIS	DIN 71752 G6X24-A3L
47	72310448	1	BOLT	FWN 64072 6X24 A3L
48	72363068	1	REVERSING LEVER	
49	72311804	1	DISC	DIN 433-13-ST.A3L
50	72313804	4	TENSIONING PIN	ISO8752-4X22-A-ST-ZNPHR10F-KOE
51	72363071	1	RETAINER	
52	72317123	2	SPRING WASHER	DIN 137 B12-ZNPHR
53	72315711	2	HEXAGONAL HEAD BOLT	DIN 933 M12X35-8.8A3L
55	72406861	1	ROD	
56	72311179	1	DUO-CLIP	6 SXN10
57	72397830	1	DRIVER	
58	72393653	2	BUSH	
59	72428239	1	TENSIONING PIN	ISO8752-2,5X22-OB3
60	72316505	1	LEG SPRING	
61	72363064	1	SUPPORT	
62	72363065	1	ACCELERATOR PEDAL	
63	72315631	1	HEXAGONAL HEAD BOLT	DIN 933 M6 X 20-8.8A3L
65	72377290	1	BELLOWS	
66	72363073	1	PEDAL PLATE	
67	72311791	2	DISC	DIN 125-13-ST.A3L

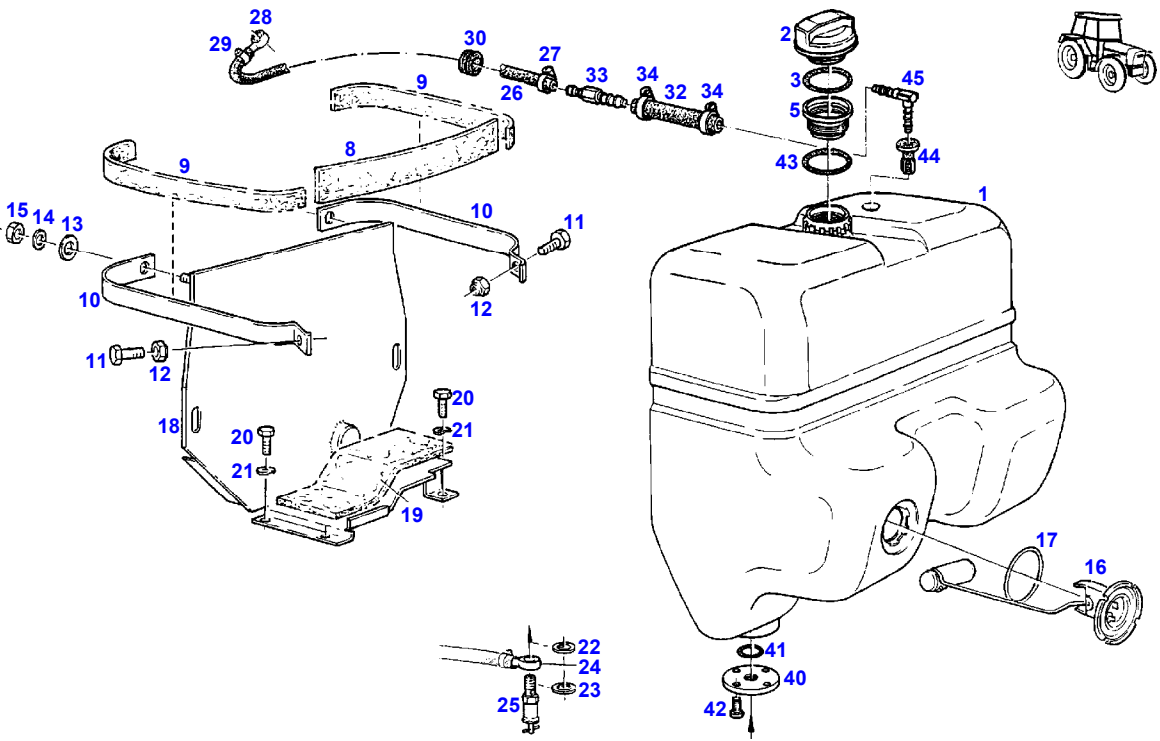
FARMER 280V (208/07001-99999)  
12410



12410

Item	Part Number	Qty	Description Comments	Technical Specification
			--> 208/8785	
1	72348833	1	FUEL TANK <-- G210.202.060.011 1X CUT TO LENGTH <>	
	72424096	1	REDUCING STUD	GRS8-6
	72429641	1	PLATE	
	72315462	4	SOCKET HEAD BOLT	DIN 912 M6X12-8.8A3L
	72450302	1	PRESSURE HOSE	L=1000
	72313434	4	O-RING	15,3X2,4-NBR 70-FWN56402
	72438345	2	HOSE CLIP	
2	72433112	1	STRAINER	60X100-MS
3	72380143	1	FUEL CAP KOEHLER ><4	M.BELUEF
	72348297	1	FUEL CAP LOCKABLE BLAU ><4+5	
4	72330725	1	SEAL BLAU	
	72312304	1	RUBBER SEAL KOEHLER	
5	72330726	1	SEAL	
8	72391503	1	BAND	
9	72391504	2	BAND	
10	72391501	2	BAND CLAMP	
11	72315657	2	HEXAGONAL HEAD BOLT	DIN 933 M8 X 30-8.8A3L
12	72313320	2	NUT	DIN6925-M8-8-A3L
13	72311789	2	DISC	DIN 125-10,5-ST.A3L
14	72311788	2	DISC	DIN 125-8,4-ST.A3L
15	72313268	2	NUT	DIN 934 M8-8A3L
16	72380146	1	FUEL LEVEL SENSOR ><17	
17	72315169	1	SEALING WASHER	
18	72354745	1	TANK SUPPORT	
19	72391502	1	BAND	
20	72315642	4	HEXAGONAL HEAD BOLT	DIN 933 M8 X 16-8.8A3L
21	72317121	4	SPRING WASHER	DIN 137 B8-MECH.VZK
22	72315093	1	SEALING WASHER	DIN 7603 A12X18-CU
23	72315094	1	SEALING WASHER	DIN 7603 A14X18-CU
24	72377531	1	RING HOSE NIPPLE	FWN65910-A-DN8
25	72380159	1	FUEL SHUT-OFF VALVE	
26	72450301	1	PRESSURE HOSE WITH 3 CYLINDER 1000 MM	L=1000
	72435830	1	PRESSURE HOSE WITH 4 CYLINDER 1130 MM CUT TO LENGTH	L=2100
27	72373477	1	HOSE CLIP	
28	72377530	1	RING HOSE NIPPLE	FWN65910-A-DN2
29	72438345	1	HOSE CLIP	
30	72379152	1	CABLE BUSHING	HV1305
32	72450353	1	PRESSURE HOSE 80 MM CUT TO LENGTH	L=200
33	72424096	1	REDUCING STUD	GRS8-6
34	72438345	2	HOSE CLIP	

FARMER 280V (208/07001-99999)  
12627

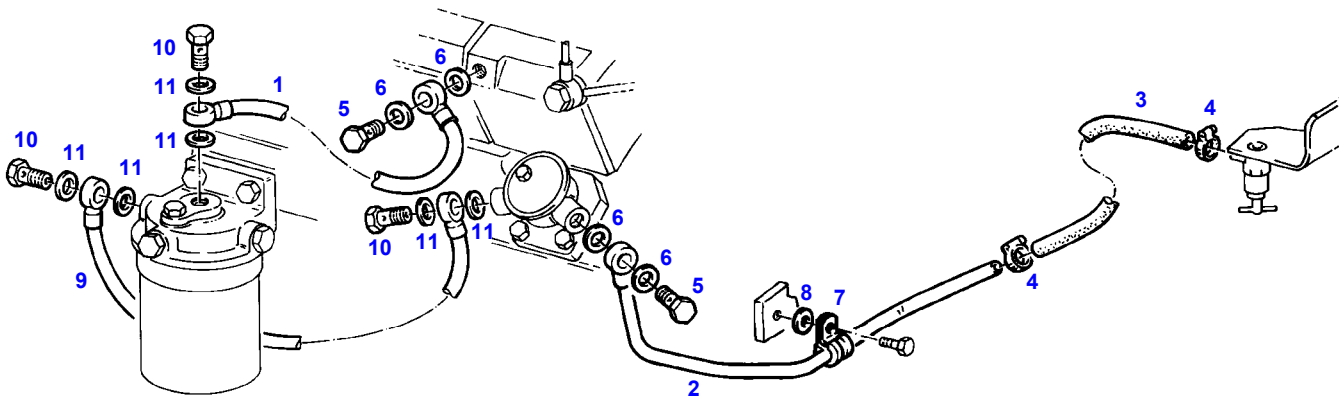


12627

Item	Part Number	Qty	Description Comments	Technical Specification
			<-- 208/8786	
1	72426775	1	FUEL TANK ><2,3,5,40-45 <-- G210.202.060.011 <>	
	72315462	4	SOCKET HEAD BOLT	DIN 912 M6X12-8.8A3L
	72313434	4	O-RING	15,3X2,4-NBR 70-FWN56402
	72429641	1	PLATE	
2	72417260	1	FUEL CAP D=59 MM ><3	
	72423400	1	FUEL CAP D=59MM LOCKABLE ><3	
3	72376574	1	O-RING	59,2X5,7-NBR 70 FWN56402
5	72419182	1	THREADED INSERT	
8	72391503	1	BAND	
9	72391504	2	BAND	
10	72391501	2	BAND CLAMP	
11	72315657	2	HEXAGONAL HEAD BOLT	DIN 933 M8 X 30-8.8A3L
12	72313320	2	NUT	DIN6925-M8-8-A3L
13	72311789	2	DISC	DIN 125-10,5-ST.A3L
14	72311788	2	DISC	DIN 125-8,4-ST.A3L
15	72313268	2	NUT	DIN 934 M8-8A3L
16	72380146	1	FUEL LEVEL SENSOR ><17	
17	72315169	1	SEALING WASHER	
18	72354745	1	TANK SUPPORT	
19	72391502	1	BAND	
20	72315642	4	HEXAGONAL HEAD BOLT	DIN 933 M8 X 16-8.8A3L
21	72317121	4	SPRING WASHER	DIN 137 B8-MECH.VZK
22	72315093	1	SEALING WASHER	DIN 7603 A12X18-CU
23	72315094	1	SEALING WASHER	DIN 7603 A14X18-CU
24	72377531	1	RING HOSE NIPPLE	FWN65910-A-DN8
25	72380159	1	FUEL SHUT-OFF VALVE	
26	72450301	1	PRESSURE HOSE WITH 3 CYLINDER 1000 MM	L=1000
	72435830	1	PRESSURE HOSE WITH 4 CYLINDER 1130 MM CUT TO LENGTH	L=2100
27	72373477	1	HOSE CLIP	
28	72377530	1	RING HOSE NIPPLE	FWN65910-A-DN2
29	72438345	1	HOSE CLIP	
30	72379152	1	CABLE BUSHING	HV1305
32	72450353	1	PRESSURE HOSE 80 MM CUT TO LENGTH	L=200
33	72424096	1	REDUCING STUD	GRS8-6
34	72438345	2	HOSE CLIP	
40	72429641	1	PLATE	
41	72313437	1	O-RING	16X3-NBR 70 FWN56402
42	72315462	4	SOCKET HEAD BOLT	DIN 912 M6X12-8.8A3L
43	72431806	1	O-RING	75X4-NBR 70 FWN56402
44	72432122	1	RUBBER SEAL	
45	72431812	1	HOSE CONNECTOR FITTING	WS6

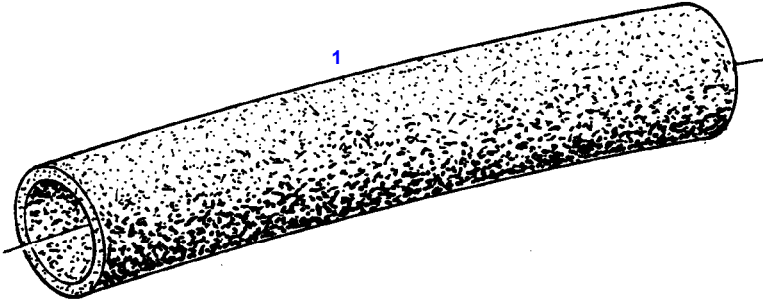


FARMER 280V (208/07001-99999)  
5015



5015

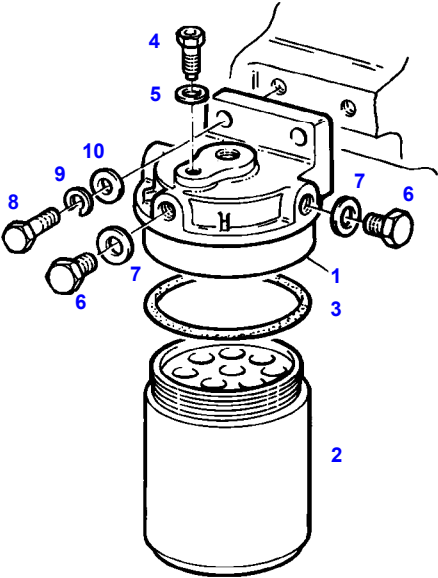
Item	Part Number	Qty	Description Comments	Technical Specification
1	72358112	1	FUEL LINE	
2	72358111	1	FUEL LINE	
3	72450303	1	PRESSURE HOSE 260 MM CUT TO LENGTH	L=1000
4	72438345	2	HOSE CLIP	
5	72315808	2	BANJO BOLT	DIN 7643-10-3-A3L
6	72315094	4	SEALING WASHER	DIN 7603 A14X18-CU
7	72311244	1	PIPE CLAMP	
8	72311788	1	DISC	DIN 125-8,4-ST.A3L
9	72355325	1	FUEL LINE	
10	72315808	3	BANJO BOLT	DIN 7643-10-3-A3L
11	72315094	6	SEALING WASHER	DIN 7603 A14X18-CU



8555

Item	Part Number	Qty	Description Comments	Technical Specification
<b>RAPE SEED OIL METHYLATED ESTER</b>				
1	72436293	1	HEAT SHRINK TUBING 1X 2500 MM CUT TO LENGTH	L=2600
	72436294	X	HEAT SHRINK TUBING 1X 3000 MM CUT TO LENGTH	L=3100
	72436295	1	HEAT SHRINK TUBING 1X 2000 MM CUT TO LENGTH	L=2100

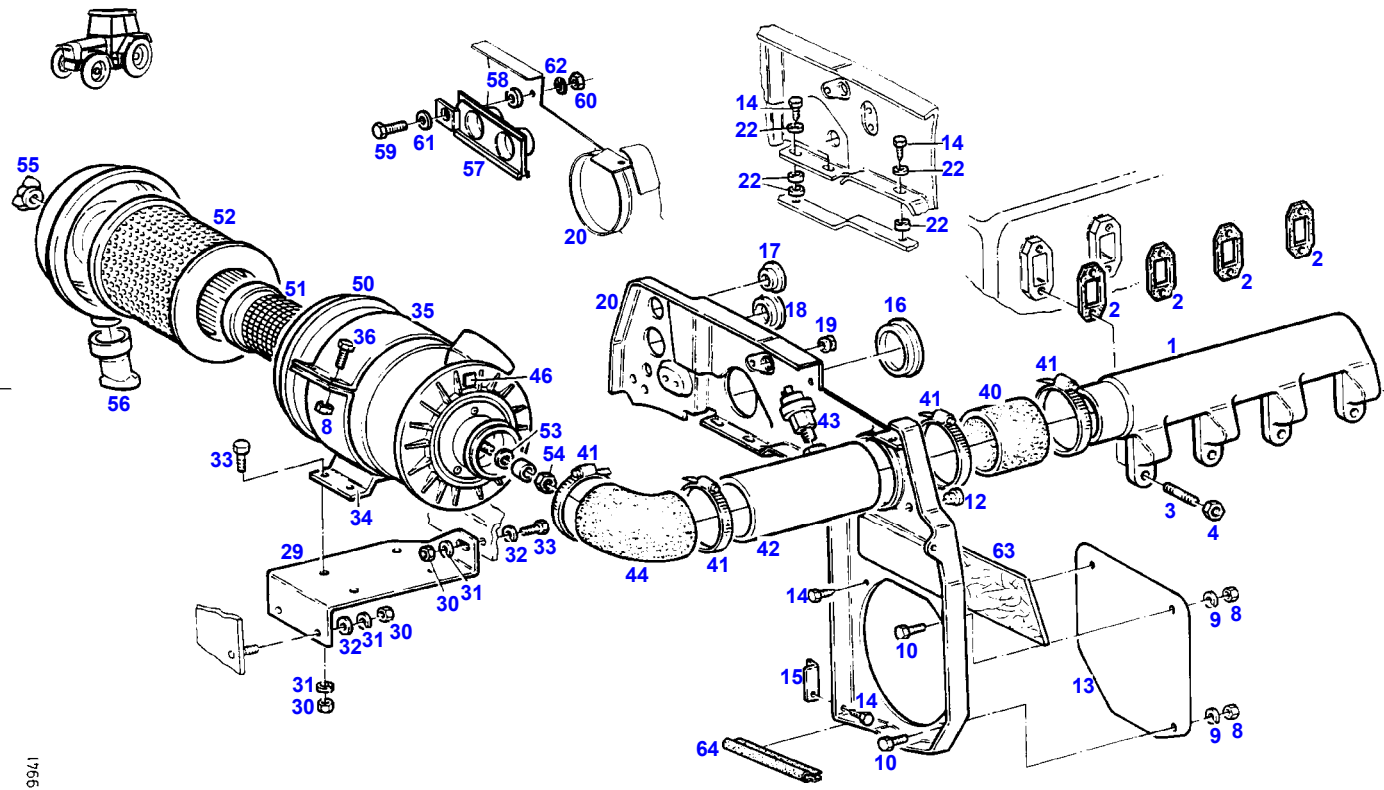
FARMER 280V (208/07001-99999)  
5016



5016

Item	Part Number	Qty	Description Comments	Technical Specification
1	72329259	1	FILTER ><1-5	
2	72326245	1	FILTER BOX ><2+3	
3	72314995	1	RUBBER RING	
4	72380171	1	BLEED SCREW	
5	72315084	1	SEALING WASHER	DIN 7603 A6X10-CU
6	72315799	2	PLUG	DIN 7604 AM14X1,5-A3L
7	72315094	2	SEALING WASHER	DIN 7603 A14X18-CU
8	72315653	2	HEXAGONAL HEAD BOLT	DIN 933 M8 X 25-8.8A3L
9	72315053	2	SPLIT WASHER	FWN 65208-8-A3L
10	72311824	2	DISC	DIN9021-8,4-140HV-A3L

FARMER 280V (208/07001-99999)  
9941

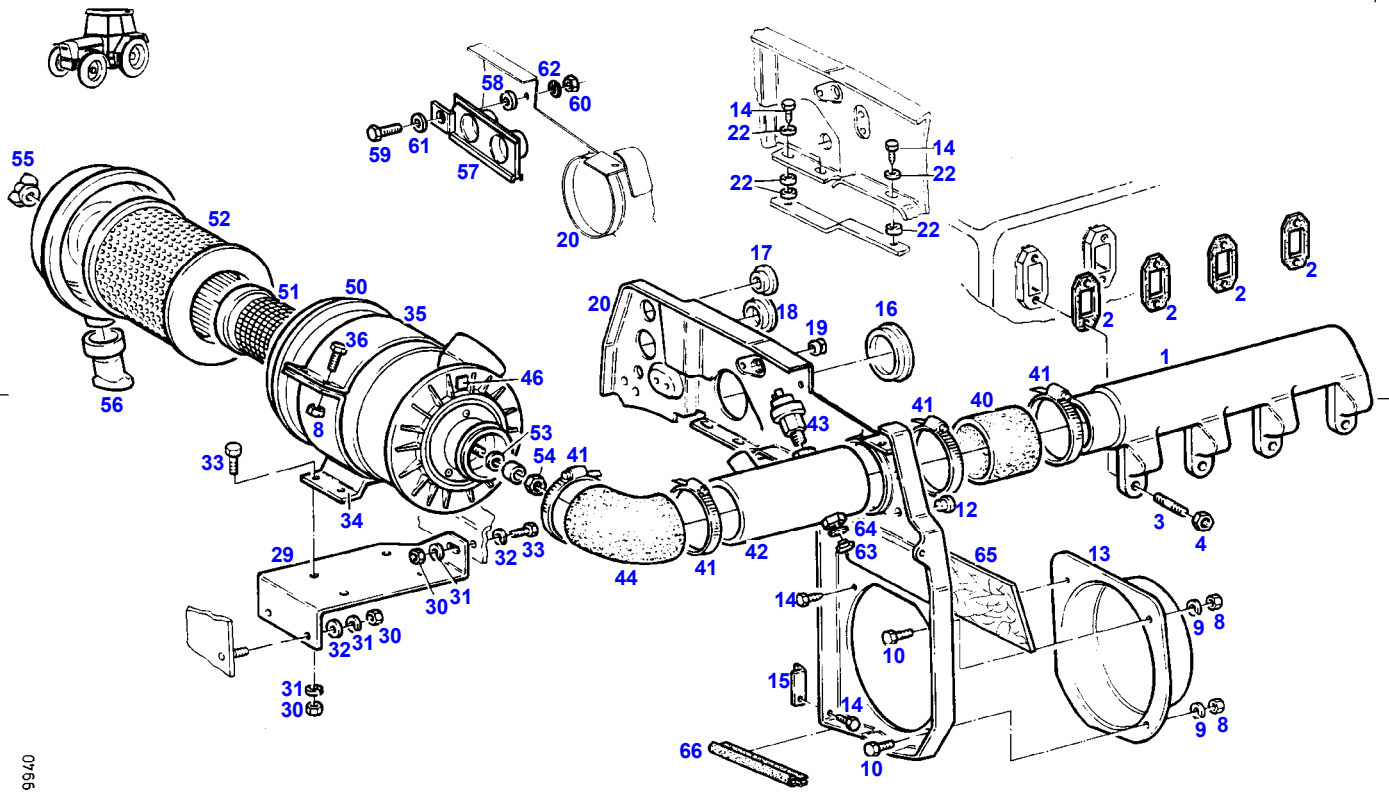


1766

Item	Part Number	Qty	Description Comments	Technical Specification
1	72323819	1	SUCTION PIPE	
2	72431538	4	SEAL REPLACE ALL SEALS	
3	72373907	8	STUD BOLT	DIN 835 M8X35-8.8
4	72313268	8	NUT	DIN 934 M8-8A3L
8	72313266	4	NUT	DIN 934 M6-8A3L
9	72315052	2	SPLIT WASHER	FWN 65208-6-A3L
10	72315629	2	HEXAGONAL HEAD BOLT	DIN 933 M6 X 12-8.8A3L
12	72314744	2	LOCKING PLUG F4	F4
13	72400510	1	COVER	
14	72315821	5	SCREW	DIN7976-ST6,3X19-C-A3L
15	72397839	1	ANGLE	
16	72402786	1	COVER	
17	72375089	1	LOCKING PLUG F23	F233
18	72314761	1	LOCKING PLUG F31	F31
19	72379152	1	CABLE BUSHING	HV1305
20	72359721	1	BARRIER WALL	
22	72311787	8	DISC	DIN 125-6,4-ST.A3L
29	72400508	1	RETAINER	
30	72313268	7	NUT	DIN 934 M8-8A3L
31	72315053	7	SPLIT WASHER	FWN 65208-8-A3L
32	72311788	2	DISC	DIN 125-8,4-ST.A3L
33	72315642	5	HEXAGONAL HEAD BOLT	DIN 933 M8 X 16-8.8A3L
34	72358116	1	RETAINER	
35	72397841	1	CLAMP	
36	72315633	2	HEXAGONAL HEAD BOLT	DIN 933 M6X25-8.8A3L
40	72450420	1	HOSE 1X 80 MM CUT TO LENGTH	L=120 DIN73411-70X5 R
41	72373528	4	HOSE CLIP	
42	72358115	1	INTAKE MANIFOLD	
43	72316876	1	MAINTENANCE SWITCH	
44	72397842	1	RUBBER ARCH	
46	72398540	1	ABSORPTION INDICATOR 1,7	
	72390400	1	ABSORPTION INDICATOR 1,2	
	72407085	1	ABSORPTION INDICATOR 0,95	
50	72348836	1	AIR FILTER ><50-56	
51	72333112	1	SAFETY INSERT <>	
	72313299	1	NUT	DIN 936-M16X1,5-17H
52	72380181	1	MICRO-STAR INSERT	
53	72379537	1	DISK SPRING	DIN 2093 A16
54	72313320	1	NUT	DIN6925-M8-8-A3L
55	72333113	1	WING NUT	
	72431470	1	SPRING NUT	
56	72332975	1	VALVE	
57	72315927	1	SEAL	
58	72311894	1	DISC	
59	72315633	1	HEXAGONAL HEAD BOLT	DIN 933 M6X25-8.8A3L
60	72313266	1	NUT	DIN 934 M6-8A3L
61	72311822	1	DISC	DIN9021-6,4-140HV-A3L
62	72315052	1	SPLIT WASHER	FWN 65208-6-A3L
63	72397836	1	INSULATING PLATE	
64	72451235	1	PROTECTIVE STRIP 1X 175 MM CUT TO LENGTH	L=700 FWN 63040



FARMER 280V (208/07001-99999)  
9940



Item	Part Number	Qty	Description Comments	Technical Specification
<b>WITH AIR CONDITION</b>				
1	72323819	1	SUCTION PIPE	
2	72431538	4	SEAL REPLACE ALL SEALS	
3	72373907	8	STUD BOLT	DIN 835 M8X35-8.8
4	72313268	8	NUT	DIN 934 M8-8A3L
8	72313266	4	NUT	DIN 934 M6-8A3L
9	72315052	2	SPLIT WASHER	FWN 65208-6-A3L
10	72315629	2	HEXAGONAL HEAD BOLT	DIN 933 M6 X 12-8.8A3L
12	72314744	2	LOCKING PLUG F4	F4
13	72425052	1	COVER WITH AIR CONDITION	
14	72315821	5	SCREW	DIN7976-ST6,3X19-C-A3L
15	72397839	1	ANGLE	
16	72402786	1	COVER	
17	72375089	1	LOCKING PLUG F23	F233
18	72314761	1	LOCKING PLUG F31	F31
19	72379152	1	CABLE BUSHING	HV1305
20	72359721	1	BARRIER WALL	
22	72311787	8	DISC	DIN 125-6,4-ST.A3L
29	72400508	1	RETAINER	
30	72313268	7	NUT	DIN 934 M8-8A3L
31	72315053	7	SPLIT WASHER	FWN 65208-8-A3L
32	72311788	2	DISC	DIN 125-8,4-ST.A3L
33	72315642	5	HEXAGONAL HEAD BOLT	DIN 933 M8 X 16-8.8A3L
34	72358116	1	RETAINER	
35	72397841	1	CLAMP	
36	72315633	2	HEXAGONAL HEAD BOLT	DIN 933 M6X25-8.8A3L
40	72450420	1	HOSE 1X 110MM	L=120 DIN73411-70X5 R
41	72373528	4	HOSE CLIP	
42	72358115	1	INTAKE MANIFOLD AIR CONDITION	
43	72316876	1	MAINTENANCE SWITCH	
44	72397842	1	RUBBER ARCH	
46	72398540	1	ABSORPTION INDICATOR 1,7	
	72390400	1	ABSORPTION INDICATOR 1,2	
	72407085	1	ABSORPTION INDICATOR 0,95	
50	72348836	1	AIR FILTER ><50-56	
51	72333112	1	SAFETY INSERT <>	
	72313299	1	NUT	DIN 936-M16X1,5-17H
52	72380181	1	MICRO-STAR INSERT	
53	72379537	1	DISK SPRING	DIN 2093 A16
54	72313320	1	NUT	DIN6925-M8-8-A3L
55	72333113	1	WING NUT	
	72431470	1	SPRING NUT	
56	72332975	1	VALVE	
57	72315927	1	SEAL	
58	72311894	1	DISC	
59	72315633	1	HEXAGONAL HEAD BOLT	DIN 933 M6X25-8.8A3L
60	72313266	1	NUT	DIN 934 M6-8A3L
61	72311822	1	DISC	DIN9021-6,4-140HV-A3L
62	72315052	1	SPLIT WASHER	FWN 65208-6-A3L
63	72315797	1	PLUG SCREW	DIN 7604 AM10X1-ST A3L
64	72315088	1	SEALING WASHER	DIN 7603 A10X13,5-CU
65	72397836	1	INSULATING PLATE	

---

Fendt

FARMER 280V (208/07001-99999)

F208001

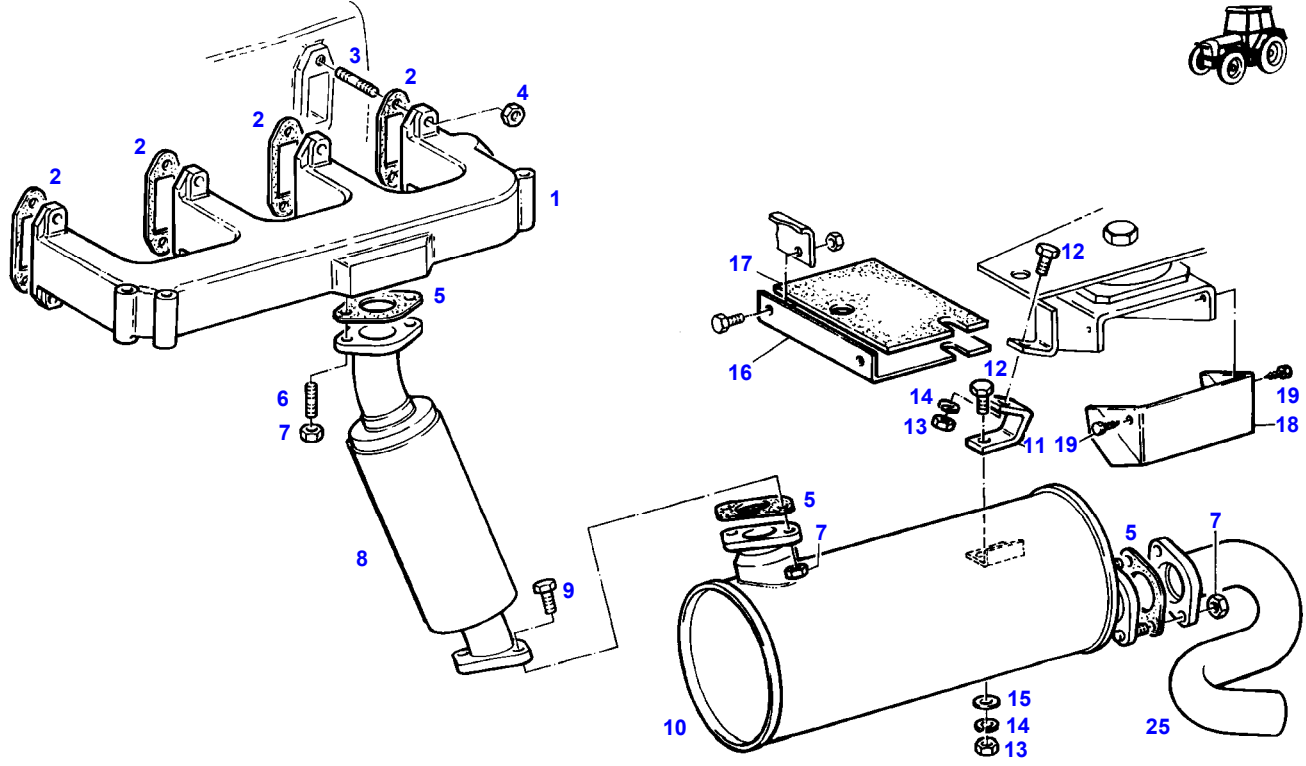
AIR FILTER

Page01-0008

---

Item	Part Number	Qty	Description Comments	Technical Specification
66	72451235	1	PROTECTIVE STRIP 1X 175 MM CUT TO LENGTH	L=700 FWN 63040

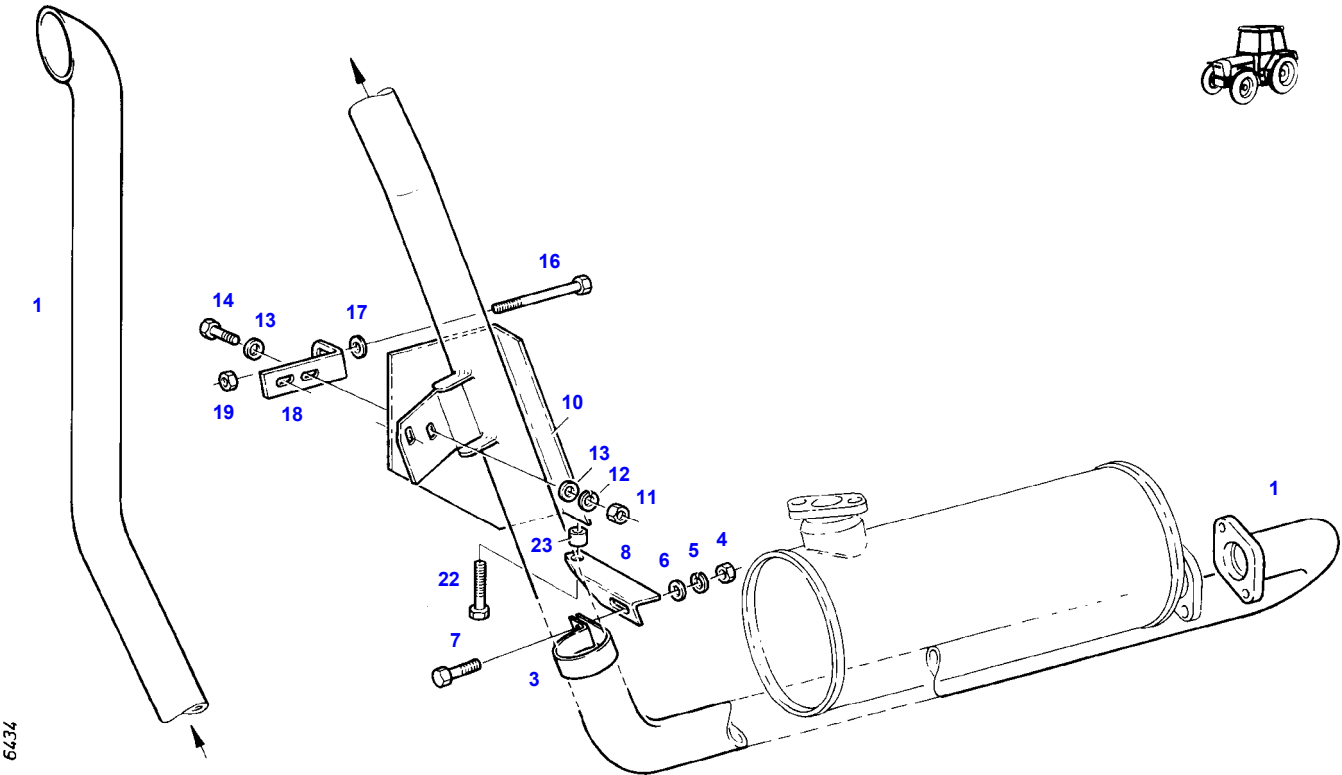
FARMER 280V (208/07001-99999)  
5022



5022

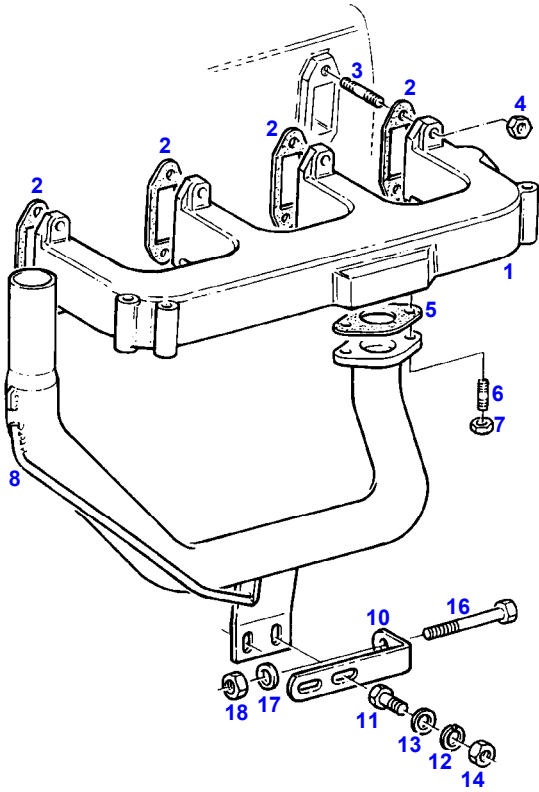
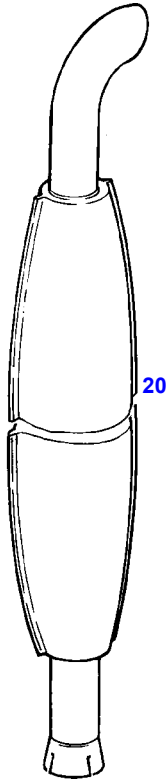
Item	Part Number	Qty	Description Comments	Technical Specification
1	72398541	1	EXHAUST COLLECTING PIPE	
2	72431541	4	SEAL REPLACE ALL SEALS	
3	72373907	8	STUD BOLT	DIN 835 M8X35-8.8
4	72324283	8	NUT	
5	72376173	3	SEAL	DIN71511-56X82X1,5-ST AFM5M.E.
6	72313776	2	STUD BOLT	DIN 939 M10X25-8.8
7	72313273	6	NUT	DIN 934 M10-MS
8	72358122	1	FRONT SILENCER	
9	72315685	2	HEXAGONAL HEAD BOLT	DIN 933 M10X30-8.8A3L
10	72363174	1	MUFFLER	
11	72397843	1	ANGLE	
12	72315646	2	HEXAGONAL HEAD BOLT	DIN 933 M8X18-8.8A3L
13	72313268	2	NUT	DIN 934 M8-8A3L
14	72315053	2	SPLIT WASHER	FWN 65208-8-A3L
15	72311788	1	DISC	DIN 125-8,4-ST.A3L
16	72397846	1	SPLASH PANEL	
17	72397847	1	INSULATING PLATE	
18	72397845	1	SCREENING SHIELD	
19	72315820	2	SCREW	DIN7976-ST6,3X13-C-A3L
25	72358142	1	TAIL PIPE	

FARMER 280V (208/07001-99999)  
6434



Item	Part Number	Qty	Description Comments	Technical Specification
<b>UPRIGHT</b>				
1	72359730	1	TAIL PIPE	
3	72408227	1	CLAMP	
4	72313266	1	NUT	DIN 934 M6-8A3L
5	72315052	1	SPLIT WASHER	FWN 65208-6-A3L
6	72311787	1	DISC	DIN 125-6,4-ST.A3L
7	72315626	1	HEXAGONAL HEAD BOLT	DIN 933-M6 X 16-8.8-A3L
8	72397857	1	ANGLE	
10	72397853	1	SCREENING SHIELD	
	72397855	1	SCREENING SHIELD 77DB(A)	
11	72313268	2	NUT	DIN 934 M8-8A3L
12	72315053	2	SPLIT WASHER	FWN 65208-8-A3L
13	72311788	4	DISC	DIN 125-8,4-ST.A3L
14	72315651	2	HEXAGONAL HEAD BOLT	DIN 933 M8X22-8.8A3L
16	72315701	1	HEXAGONAL HEAD BOLT	DIN 933-M10X120-8.8-A3L
17	72311789	1	DISC	DIN 125-10,5-ST.A3L
18	72400514	1	ANGLE	
19	72313272	1	NUT	DIN 934 M10-8A3L
22	72315665	1	HEXAGONAL HEAD BOLT	DIN 933 M8X45-8.8A3L
23	72316967	1	SPACER TUBE	

FARMER 280V (208/07001-99999)  
10200

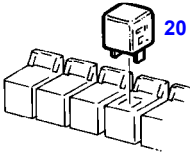
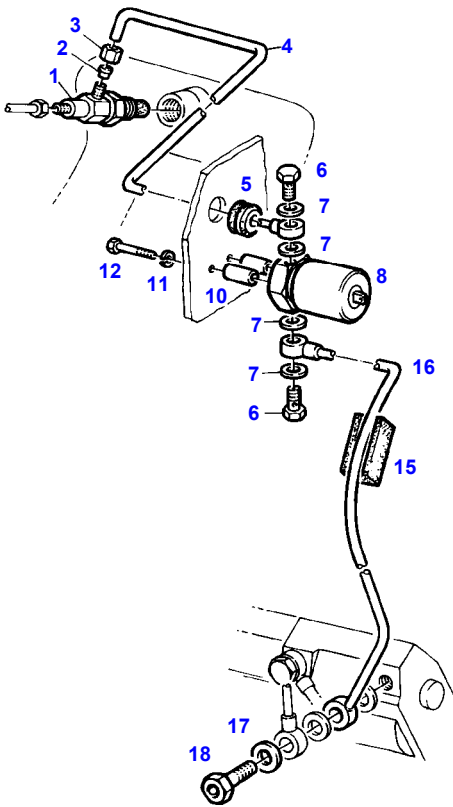


10200



Item	Part Number	Qty	Description Comments	Technical Specification
1	72398541	1	EXHAUST COLLECTING PIPE	
2	72431541	4	SEAL REPLACE ALL SEALS	
3	72373907	8	STUD BOLT	DIN 835 M8X35-8.8
4	72324283	8	NUT	
5	72376173	1	SEAL	DIN71511-56X82X1,5-ST AFM5M.E.
6	72313776	2	STUD BOLT	DIN 939 M10X25-8.8
7	72313273	2	NUT	DIN 934 M10-MS
8	72358127	1	EXHAUST PIPE	
10	72400514	1	ANGLE	
11	72315651	2	HEXAGONAL HEAD BOLT	DIN 933 M8X22-8.8A3L
12	72315053	2	SPLIT WASHER	FWN 65208-8-A3L
13	72311788	4	DISC	DIN 125-8,4-ST.A3L
14	72313268	2	NUT	DIN 934 M8-8A3L
16	72315553	1	HEXAGONAL HEAD BOLT	DIN 931 M10X110 GWA-10.9
17	72311789	1	DISC	DIN 125-10,5-ST.A3L
18	72313272	1	NUT	DIN 934 M10-8A3L
20	72358126	1	EXHAUST MUFFLER	

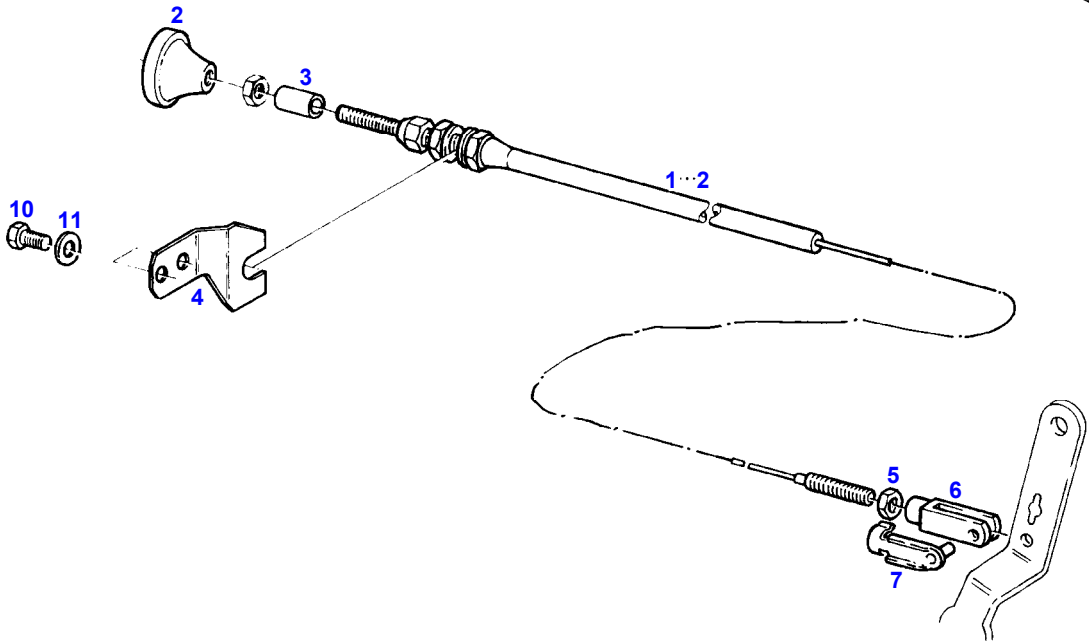
FARMER 280V (208/07001-99999)  
7004



7004

Item	Part Number	Qty	Description Comments	Technical Specification
1	72433489	1	ROD FLAME GLOW PLUG --> 208/8582 <-- 208/8584 --> 208/8733	
	72416034	1	ROD FLAME GLOW PLUG <-- 208/8583 --> 208/8583 <-- 208/8734	
2	72377312	1	DOUBLE V-RING	DIN 3862-6-9SMNPB28K+G
3	72378005	1	CONNECTING NUT	DIN 3870 ALL6-9S20K A3L
4	72358131	1	TUBING	
5	72323527	1	RUBBER MOUNTING	
6	72315806	2	BANJO BOLT	DIN 7643-6-3-A3L
7	72315088	4	SEALING WASHER	DIN 7603 A10X13,5-CU
8	72317090	1	VALVE SOLENOID	
10	72397849	2	PIPE	
11	72315052	2	SPLIT WASHER	FWN 65208-6-A3L
12	72315635	2	HEXAGONAL HEAD BOLT	DIN 933 M6X35-8.8A3L
15	72393741	1	STRAP	
16	72358130	1	TUBING	
17	72315095	1	SEALING WASHER	DIN 7603 A14X20-CU
18	72324065	1	VALVE	
20	72428226	1	GLOW TIME RELAY <>	

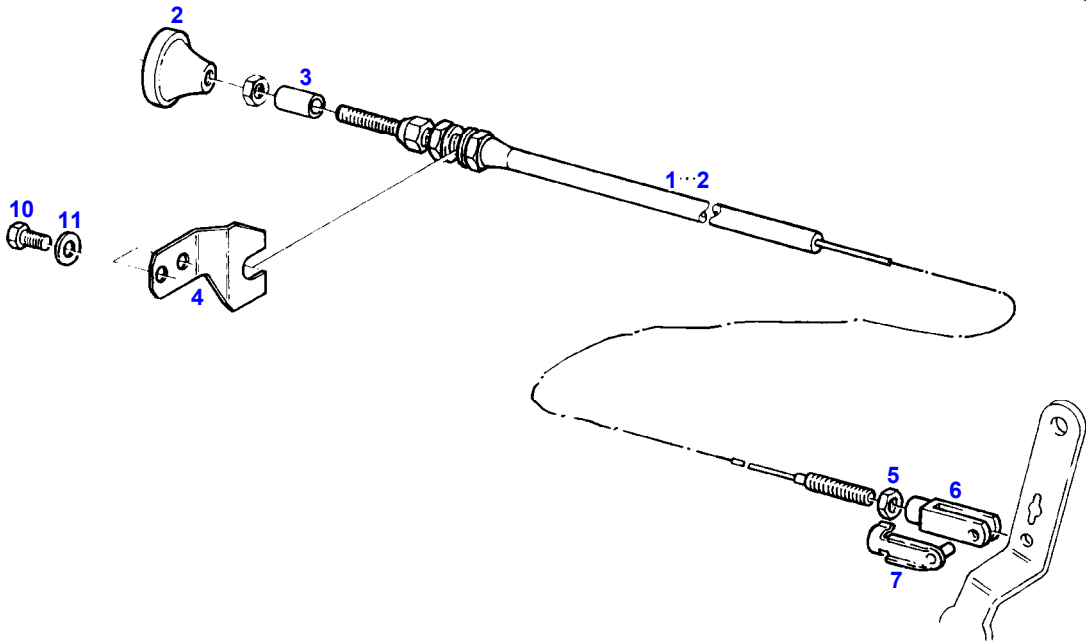
FARMER 280V (208/07001-99999)  
9700



9700

Item	Part Number	Qty	Description Comments	Technical Specification
1	72348984	1	STOP CABLE ><2	
2	72333129	1	HANDLE	
3	72310707	1	BUSH	
4	72407086	1	ANGLE	
5	72313266	1	NUT	DIN 934 M6-8A3L
6	72311308	1	CLEVIS	DIN 71752 G6X24-A3L
7	72310448	1	BOLT	FWN 64072 6X24 A3L
10	72315628	2	HEXAGONAL HEAD BOLT	DIN 933 M6X10-8.8A3L
11	72317120	2	SPRING WASHER	DIN 137 B6-MECH.VZK

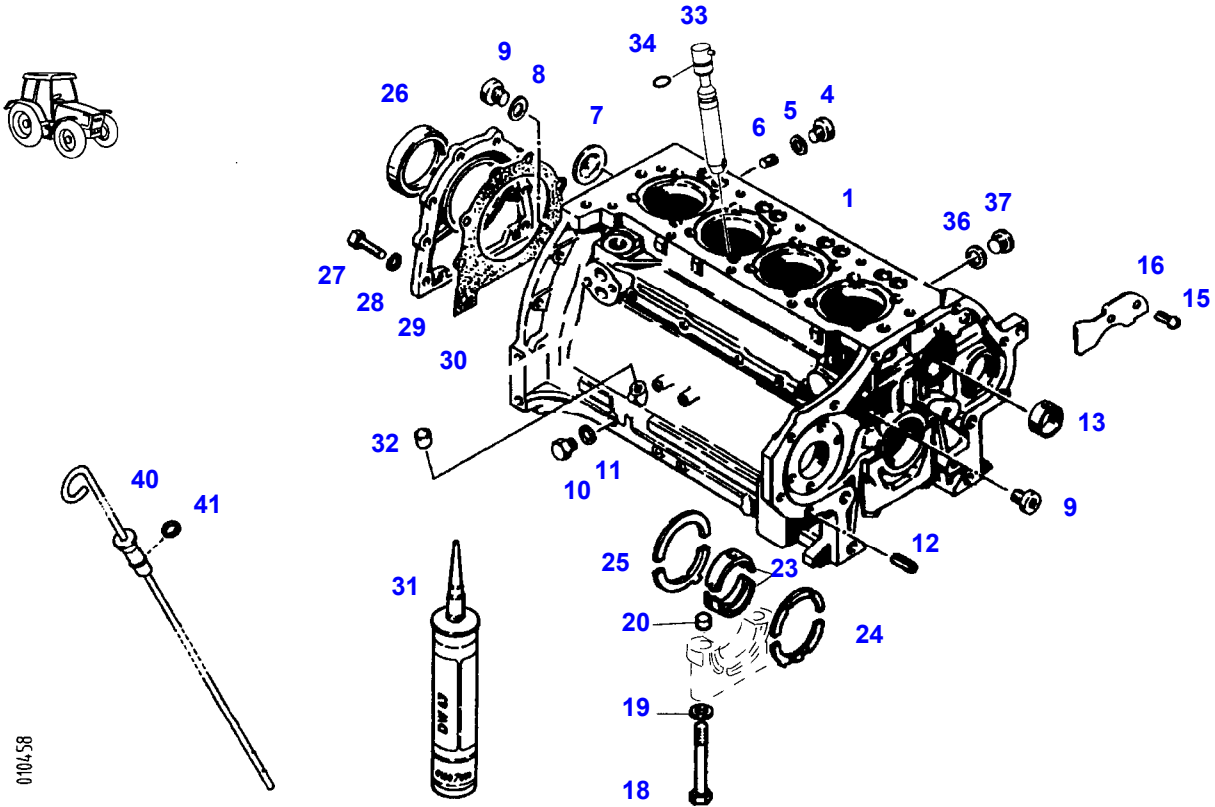
FARMER 280V (208/07001-99999)  
9700



9700

Item	Part Number	Qty	Description Comments	Technical Specification
			<b>RESERVE GEARS SHIFT</b>	
1	72348984	1	STOP CABLE ><2	
2	72333129	1	HANDLE	
3	72310707	1	BUSH	
4	72407086	1	ANGLE	
5	72313266	1	NUT	DIN 934 M6-8A3L
6	72311308	1	CLEVIS	DIN 71752 G6X24-A3L
7	72310448	1	BOLT	FWN 64072 6X24 A3L
10	72315628	2	HEXAGONAL HEAD BOLT	DIN 933 M6X10-8.8A3L
11	72317120	2	SPRING WASHER	DIN 137 B6-MECH.VZK

FARMER 280V (208/07001-99999)  
10458

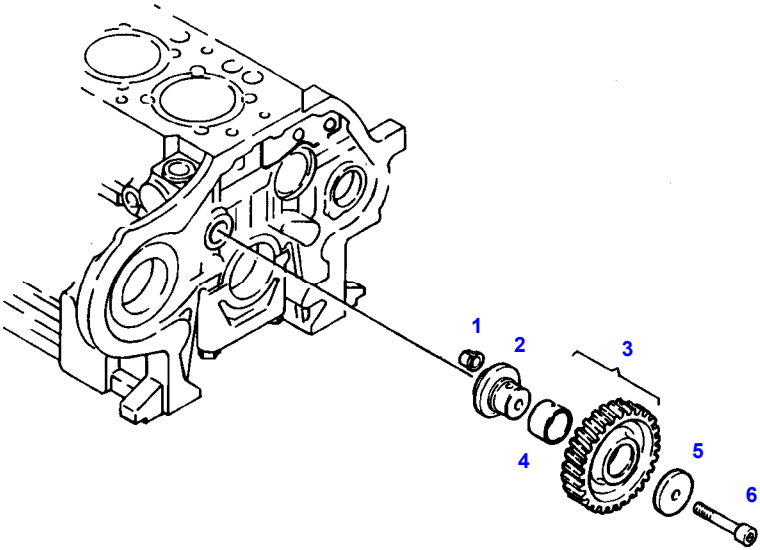


010458



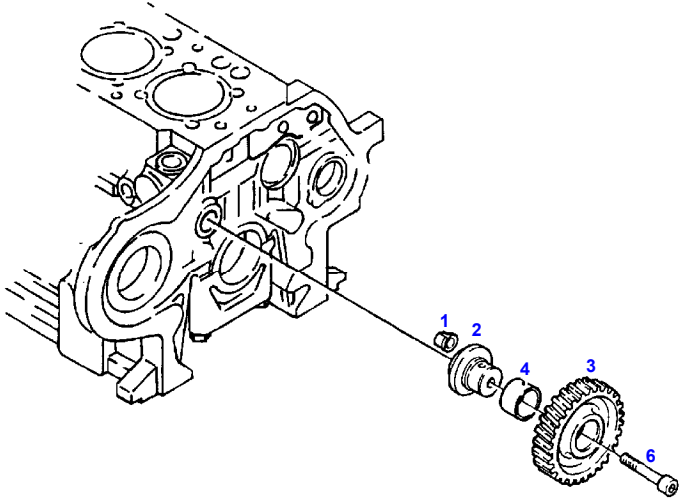
Item	Part Number	Qty	Description Comments	Technical Specification
	72436667	1	DIESEL ENGINE	F297
1	72335418	1	CRANKCASE ><1-21	
	72324250	1	SEAL KIT	
4	72427167	5	SCREW	DIN 908 M12 X 1,5-ST-A3
5	72315090	5	SEALING WASHER	DIN 7603 A12X15,5-CU
6	72323675	5	SLOTTED PLUG	
7	72323690	1	LOCKING DISC	
8	72376031	1	SEALING WASHER	DIN 7603 A20X24-CU
9	72323672	2	SCREW	
10	72374942	1	PLUG	DIN 7604 CM10X1-ST
11	72315088	1	SEALING WASHER	DIN 7603 A10X13,5-CU
12	72323573	2	TENSIONER BUSHING	
13	72344344	1	BUSH	
15	72372707	2	SLOTTED PIN	DIN 1476-6X10-ST
16	72324021	1	BAFFLE --> 208/8582 <-- 208/8584 --> 208/8733	
	72344345	1	BAFFLE <-- 208/8583 --> 208/8583 <-- 208/8734	
18	72344343	10	HEXAGONAL HEAD BOLT	
19	72323682	10	DISC --> 208/8582 <-- 208/8584 --> 208/8733	
	72323682	10	DISC <-- 208/8583 --> 208/8583 <-- 208/8734	
20	72344342	10	ADAPTER BUSH	
23	72324293	5	CRANKSHAFT BEARING 70,00 MM	
	72415975	5	CRANKSHAFT BEARING 69,75 MM	
	72415976	5	CRANKSHAFT BEARING 69,50 MM	
24	72317654	1	THRUST RING 3,00 MM	
	72323984	1	THRUST RING FOR STEEL CRANKSHAFT 3,25 MM ENG.NO. --> 8 524 571	
	72425121	1	THRUST RING FOR CAST STEEL CRANKSHAFT 3,14 MM ENG.NO. --> 8 524 571	
	72323985	1	THRUST RING FOR STEEL CRANKSHAFT 3,50 MM ENG.NO. --> 8 524 571	
	72425121	1	THRUST RING FOR CAST STEEL CRANKSHAFT 3,14 MM ENG.NO. <-- 8 524 572	
25	72425118	1	THRUST RING 2,94 MM	
	72323990	1	THRUST RING FOR STEEL CRANKSHAFT 3,25 MM ENG.NO. --> 8 524 571	

Item	Part Number	Qty	Description Comments	Technical Specification
	72323991	1	THRUST RING FOR STEEL CRANKSHAFT 3,50 MM ENG.NO. --> 8 524 571	
	72496405	1	THRUST RING FOR CAST STEEL CRANKSHAFT 3,14 MM	3,14MM
26	72425119	1	SHAFT SEAL	
27	72315650	8	HEXAGONAL HEAD BOLT	DIN 933 M8 X 20-8.8A3L
28	72311788	8	DISC	DIN 125-8,4-ST.A3L
29	72324099	1	COVER	
30	72324291	1	SEAL /31	
31	72311273	1	SEALING COMPOUND /30	TEROST-63S
32	72323574	1	TENSIONER BUSHING	
33	72420361	1	SPRAY NOZZLE	
34	72315063	1	SPLIT WASHER	FWN65237-8-A3L
36			NOT USED	
37			NOT USED	
40	72323655	1	DIPSTICK ><40+41	
41	72323631	1	SEAL	



5444

Item	Part Number	Qty	Description Comments
			--> 208/8582 <-- 208/8584 --> 208/8733
1	72344346	1	TENSIONER BUSHING
2	72344347	1	PIVOT
3	72324456	1	GEAR WHEEL ><3+4
4	72324455	1	BUSH
5	72324457	1	DISC
6	72324090	1	SOCKET HEAD BOLT



12277

Thank you so much for reading.  
Please click the “Buy Now!”  
button below to download the  
complete manual.



After you pay.

You can download the most  
perfect and complete manual in  
the world immediately.

Our support email:

[ebooklibonline@outlook.com](mailto:ebooklibonline@outlook.com)