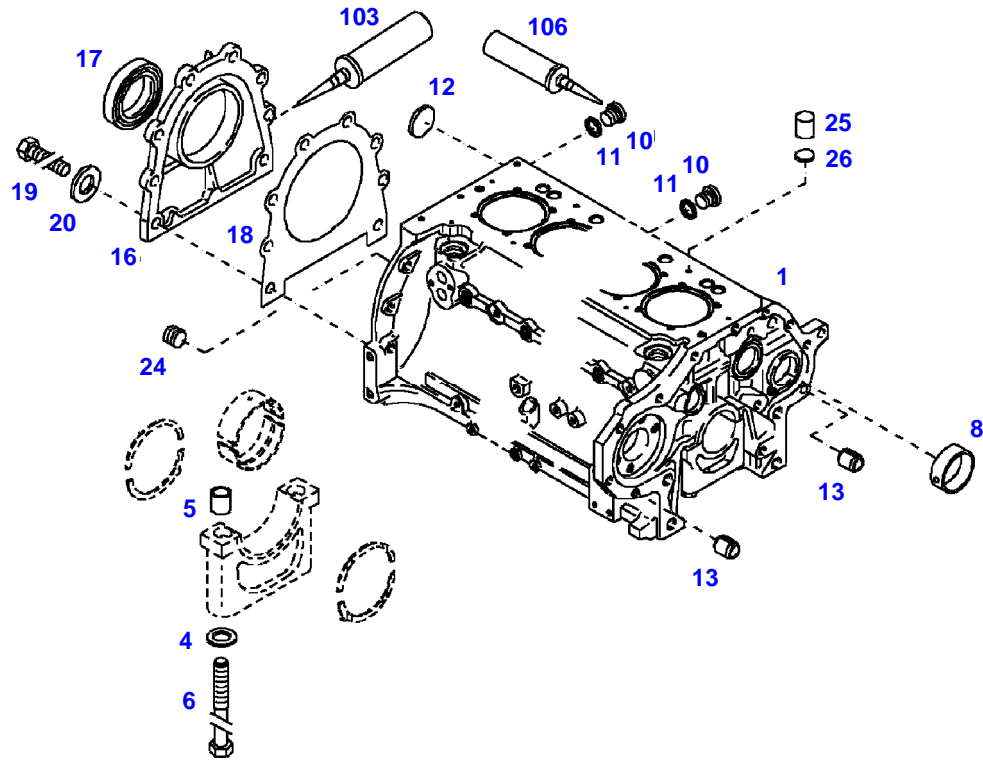


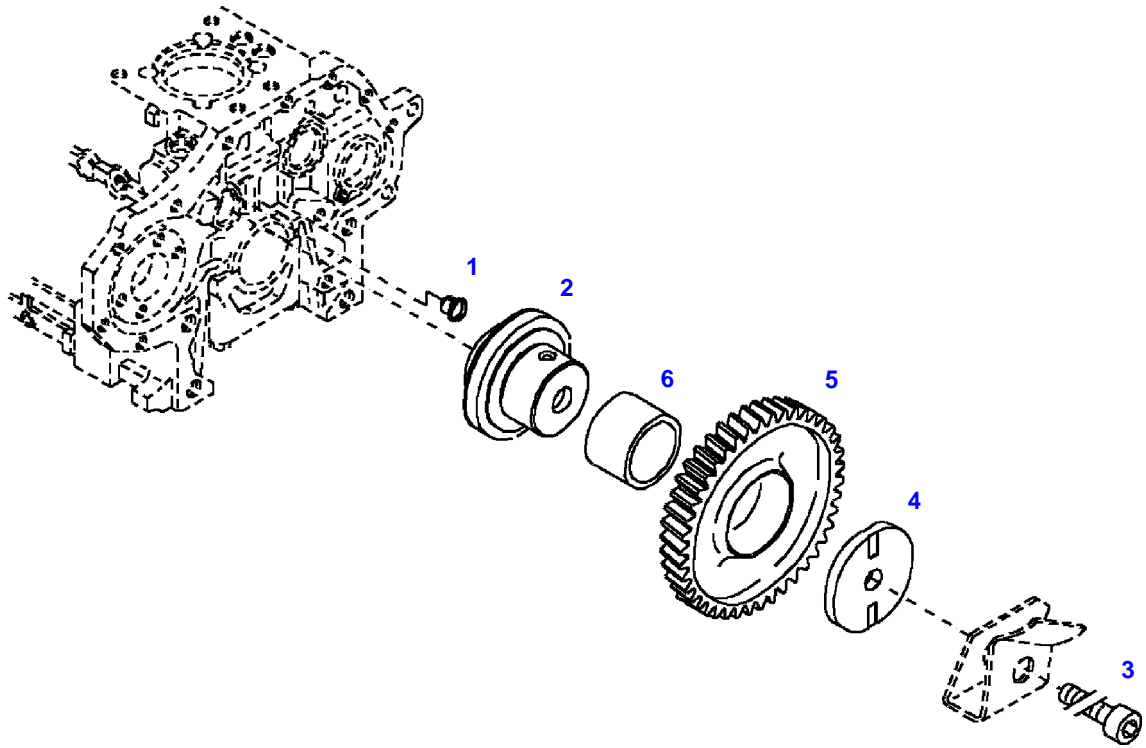
Page Number	Page Title	Page Reference
01-000-TOC	ENGINE, FUEL AND EXHAUST SYSTEM	01-000-TOC
02-000-TOC	AXLES	02-000-TOC
03-000-TOC	STEERING SYSTEM	03-000-TOC
04-000-TOC	DRIVE TRAIN SYSTEM	04-000-TOC
05-000-TOC	HYDRAULIC SYSTEM	05-000-TOC
06-000-TOC	ELECTRICAL SYSTEM	06-000-TOC
07-000-TOC	CAB	07-000-TOC
08-000-TOC	AIR CONDITIONING AND HEATING SYSTEM	08-000-TOC
09-000-TOC	CHASSIS	09-000-TOC
10-000-TOC	WHEELS	10-000-TOC
11-000-TOC	IMPLEMENT LIFT SYSTEM FRONT	11-000-TOC
12-000-TOC	IMPLEMENT LIFT SYSTEM REAR	12-000-TOC
13-000-TOC	ACCESSORIES	13-000-TOC

FENDT 206V NA (210/00101-99999)
33433



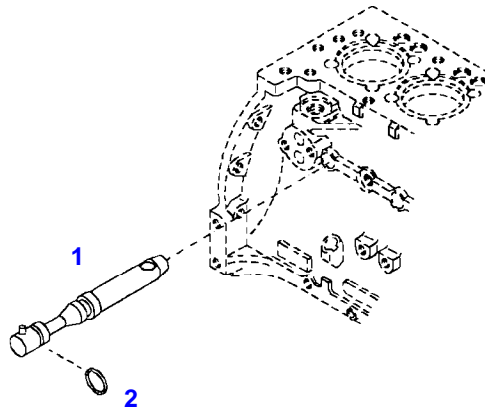
033433

Item	Part Number	Qty	Description Comments	Technical Specification
	72427213	1	DIESEL ENGINE ENGINE NEW <-- 210/0101 --> 210/0200 <-- 210/1001 <-- Z210.202.010.010 ENGINE EXCHANGE	
1	72431501	1	CRANKCASE ><4-6,8,10-13,24-26	
4	72323682	8	DISC	
5	72344342	8	ADAPTER BUSH	
6	72344343	8	HEXAGONAL HEAD BOLT	
8	72344344	1	BUSH	
10	72427167	4	SCREW	DIN 908 M12 X 1,5-ST-A3 DIN 7603 A12X15,5-CU
11	72315090	4	SEALING WASHER	
12	72323690	1	LOCKING DISC	
13	72323573	2	TENSIONER BUSHING	
16	72324099	1	COVER	
17	72425119	1	SHAFT SEAL	
18	72324291	1	SEAL	
19	72315650	8	HEXAGONAL HEAD BOLT	DIN 933 M8 X 20-8.8A3L DIN 125-8,4-ST.A3L
20	72311788	8	DISC	
24	72431459	2	SCREW	
25	72323592	2	PLUG	
26	72323572	2	DISC	
103	72311273	1	SEALING COMPOUND	TEROST-63S
106	72431547	1	SEALING COMPOUND	



033511

Item	Part Number	Qty	Description Comments
			INTERM. GEAR WHEEL
1	72344346	1	TENSIONER BUSHING
2	72344347	1	PIVOT
3	72324090	1	SOCKET HEAD BOLT
4	72324457	1	DISC
5	72420823	1	INTERMEDIATE GEAR ><6
6	72324455	1	BUSH



040154

Fendt

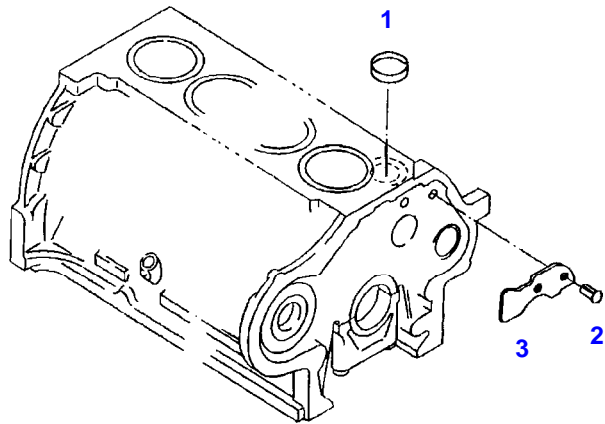
FENDT 206V NA (210/00101-99999)

F210105

CRANKCASE

Page01-0003

Item	Part Number	Qty	Description Comments
			NOZZLE
1	72324217	3	SPRAY NOZZLE >< 2
2	72323628	3	SEAL



040097

Fendt

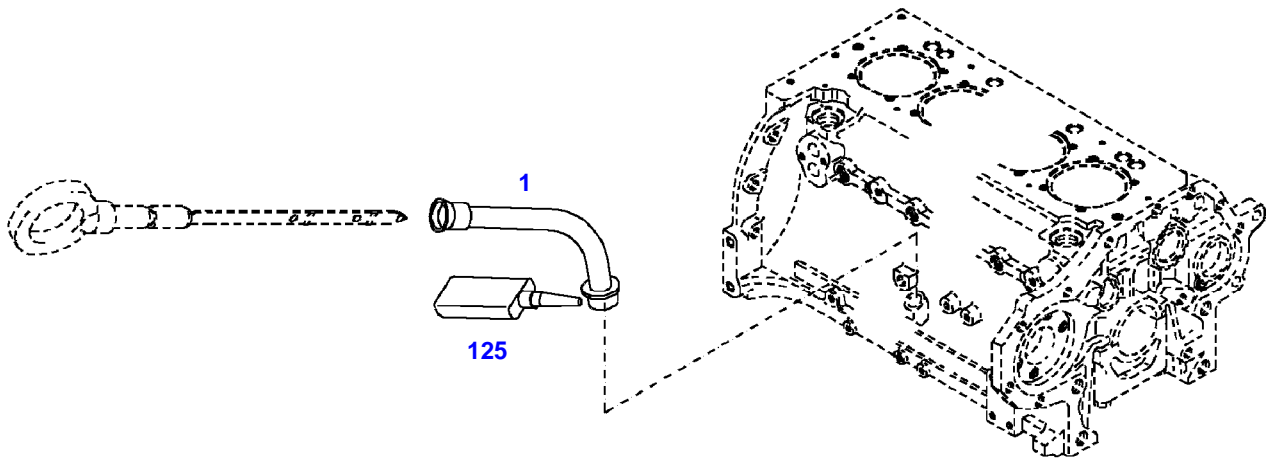
FENDT 206V NA (210/00101-99999)

F210105

CRANKCASE

Page01-0004

Item	Part Number	Qty	Description Comments	Technical Specification
			LOCKING PLUG	
1	72323653	1	CORE HOLE PLUG	
2	72372707	2	SLOTTED PIN	DIN 1476-6X10-ST
3	72344345	1	BAFFLE	



033512

Fendt

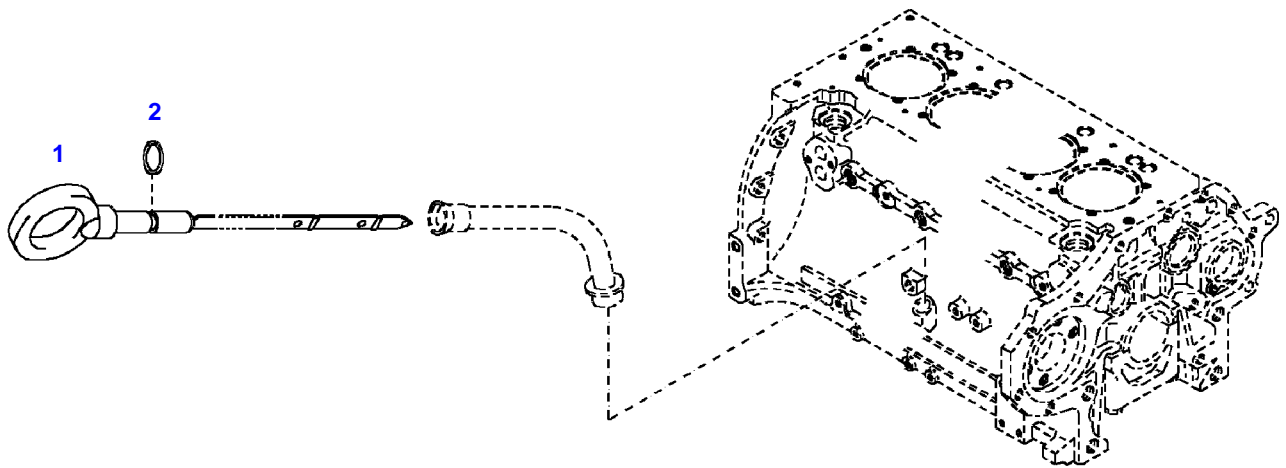
FENDT 206V NA (210/00101-99999)

F210105

OIL DIPSTICK

Page01-0005

Item	Part Number	Qty	Description Comments
			GUIDE TUBE
1	72428343	1	GUIDE TUBE
125	72415445	1	SAFE.LOCK AGENT



033528

Fendt

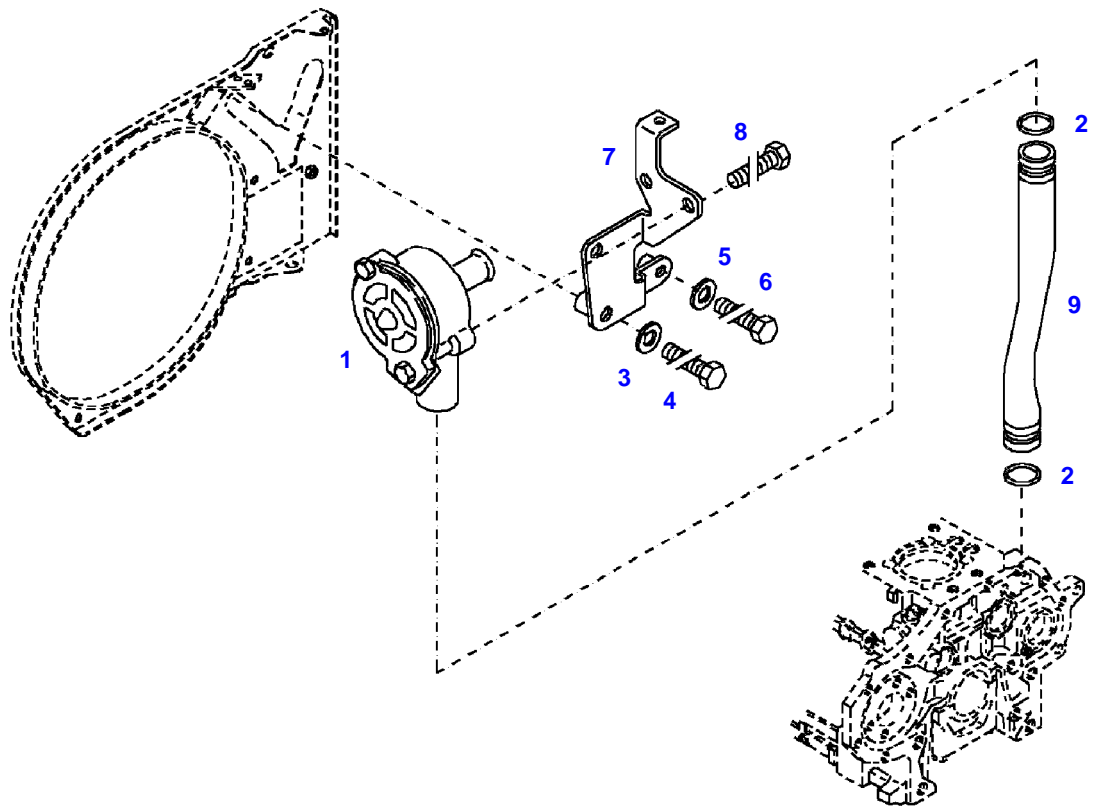
FENDT 206V NA (210/00101-99999)

F210105

OIL DIPSTICK

Page01-0006

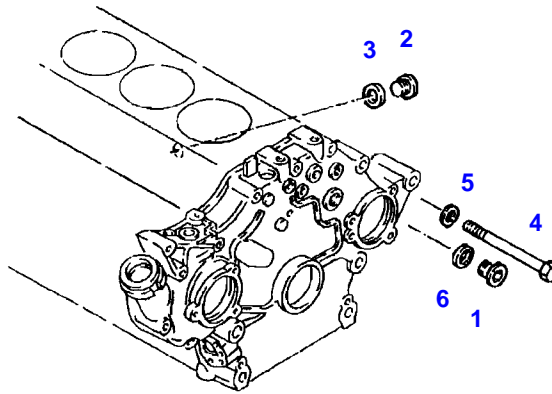
Item	Part Number	Qty	Description Comments
1	72454603	1	DIPSTICK ><2
2	72323559	1	PERMANENT REINFORCEMENT



033513

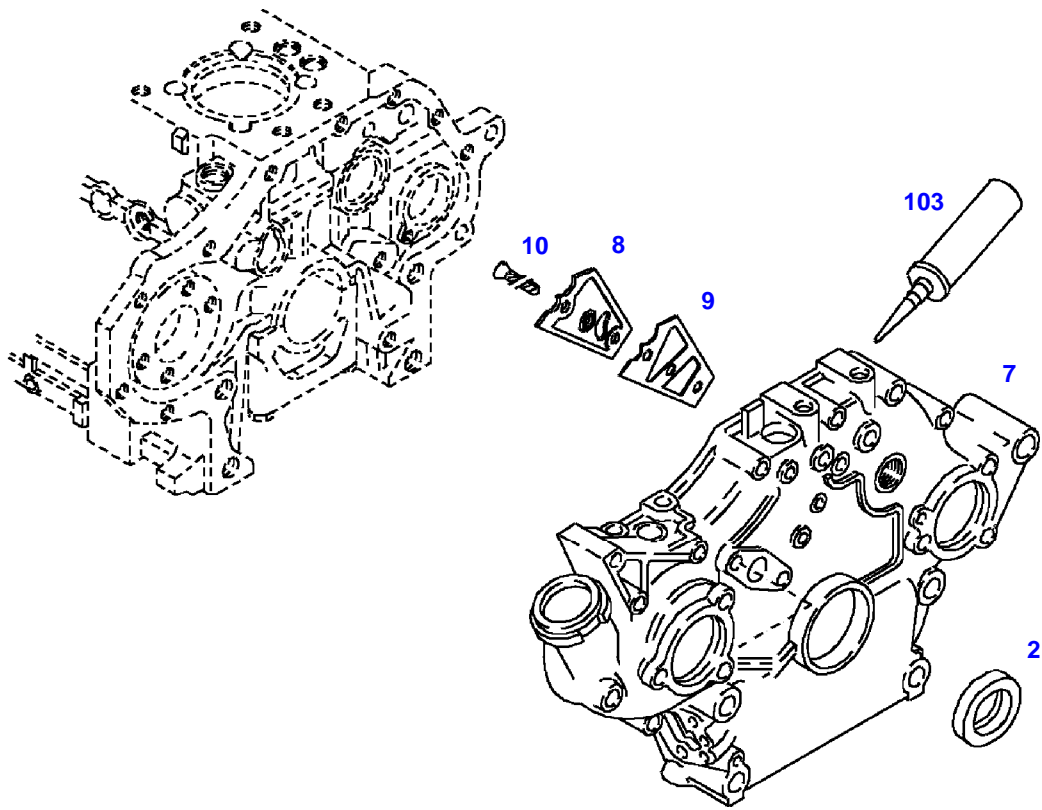
Item	Part Number	Qty	Description Comments	Technical Specification
1	72615403	1	BLEEDER VALVE	
	72451208	1	BLEEDER VALVE SERVICE REPAIR SOLUTION	
2	72416005	2	SEAL 24X3MM	
3	72611358	1	DISC	
4	72427710	1	HEXAGONAL HEAD BOLT M8X35	
5	72416026	1	DISC	
6	72427711	1	HEXAGONAL HEAD BOLT M6X30	
7	72431551	1	RETAINER	
8	72315650	2	HEXAGONAL HEAD BOLT	DIN 933 M8 X 20-8.8A3L
9	72431552	1	BREATHER PIPE	
	72451209	1	HOSE SERVICE REPAIR SOLUTION	

FENDT 206V NA (210/00101-99999)
40099



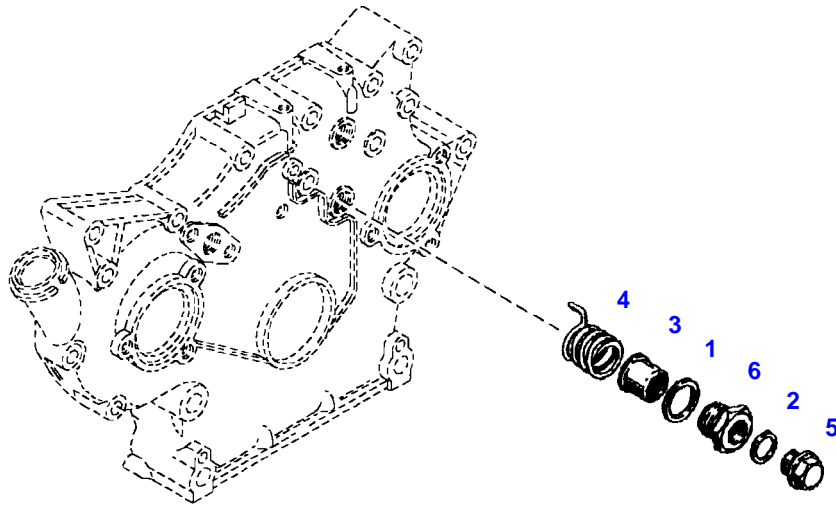
040099

Item	Part Number	Qty	Description Comments	Technical Specification
BLANKING PARTS				
1	72315440	1	PLUG SCREW	DIN 908 M18 X 1,5-ST
2	72427167	1	SCREW	DIN 908 M12 X 1,5-ST-A3
3	72315090	1	SEALING WASHER	DIN 7603 A12X15,5-CU
4	72315534	2	HEXAGONAL HEAD BOLT	DIN 931 M8 X 70-8.8
5	72311788	1	DISC	DIN 125-8,4-ST.A3L
6	72315100	1	SEALING WASHER	DIN 7603 A18X24-CU



033434

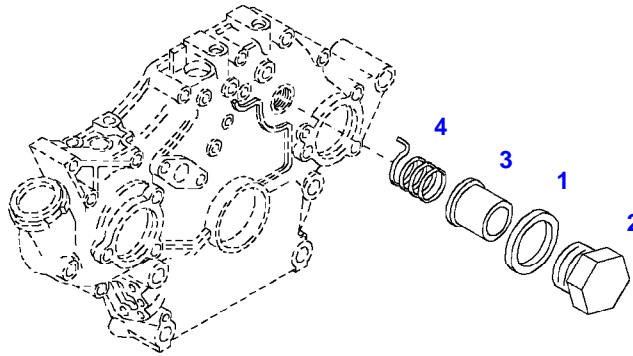
Item	Part Number	Qty	Description Comments	Technical Specification
2	72317651	1	SHAFT SEAL	
7	72431502	1	CRANKCASE END COVER	
8	72416037	1	COVER PANEL	
9	72416038	1	SEAL	
10	72418423	3	THREAD-CUTTING TAPPING SCREW	DIN 7513-FE M6X16-ST
103	72311273	1	SEALING COMPOUND	TEROST-63S



040107

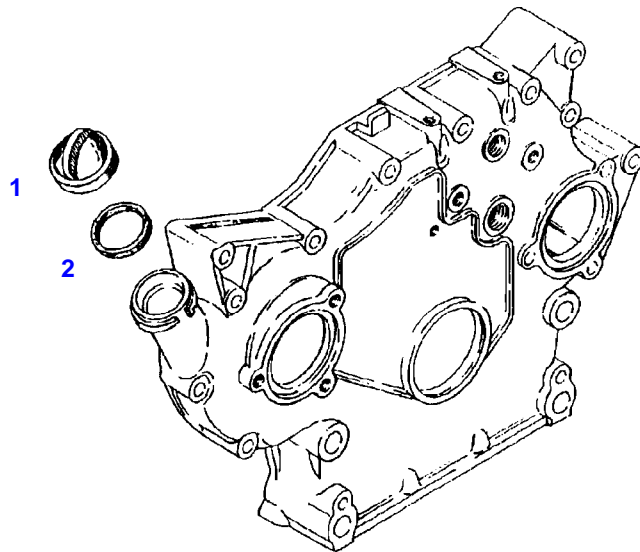
Item	Part Number	Qty	Description Comments	Technical Specification
			BLANKING PARTS	
			ENGINE NUMBER	
			--> 8674250	
1	72376036	1	SEALING WASHER	DIN7603 A24X30-ALU
2	72315099	1	SEALING WASHER	DIN 7603 A18X22-CU
3	72323827	1	START-UP CAP	
4	72324159	1	COMPRESSION SPRING	
5	72315801	1	SCREW	DIN 7604-AM18 X 1,5-ST A3L
6	72324020	1	SCREW	

FENDT 206V NA (210/00101-99999)
40416



040416

Item	Part Number	Qty	Description Comments	Technical Specification
			BLANKING PARTS ENGINE NUMBER <-- 8674251	
1	72376036	1	SEALING WASHER	DIN7603 A24X30-ALU
2	72323829	1	SCREW	
3	72323827	1	START-UP CAP	
4	72324159	1	COMPRESSION SPRING	



040104

Fendt

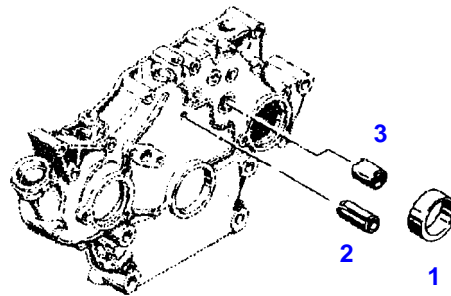
FENDT 206V NA (210/00101-99999)

F210105

FRONT COVER

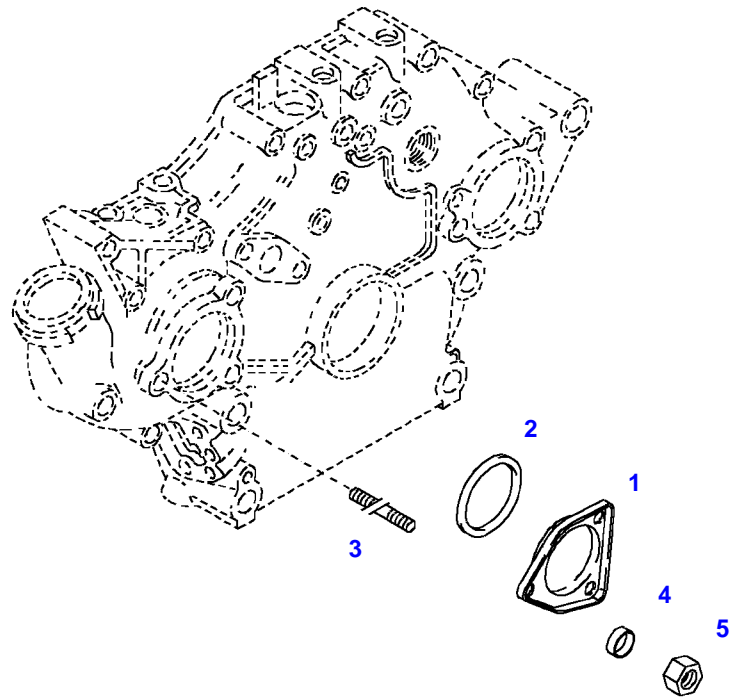
Page01-0012

Item	Part Number	Qty	Description Comments
			LOCKING
1	72323709	1	COVER ><2
2	72323708	1	SEALING WASHER



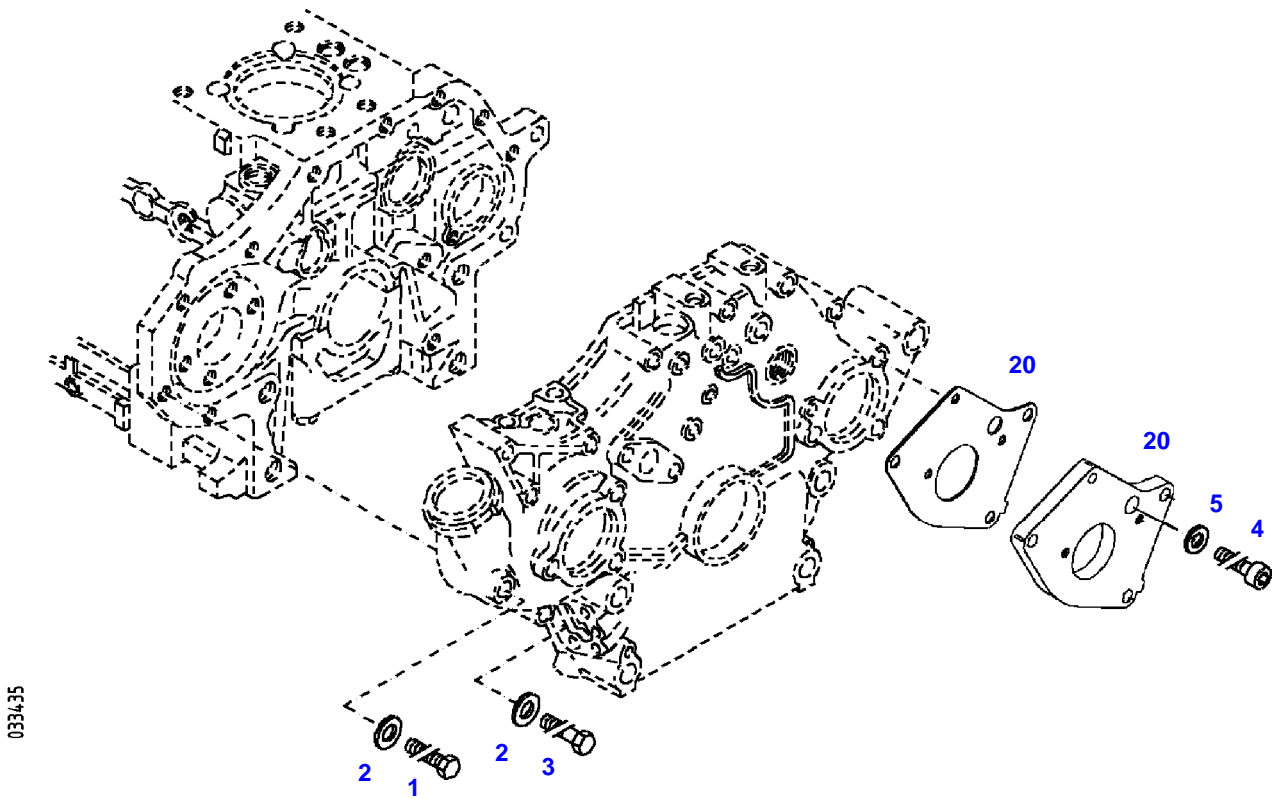
040105

Item	Part Number	Qty	Description Comments	Technical Specification
			CLAMPING PARTS ENGINE NUMBER --> 8666201	
1	72323976	1	RING	
2	72313818	1	TENSIONING PIN	ISO8752-6X20-A-ST-ZNPHR10F-KOE
3	72324243	1	DRIVER	



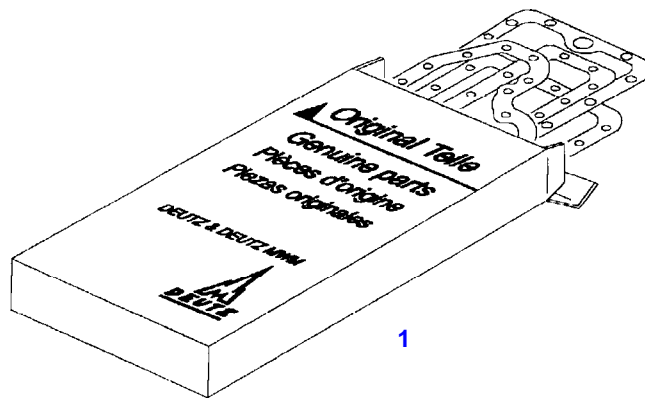
040832

Item	Part Number	Qty	Description Comments	Technical Specification
CLAMPING PARTS				
1	72324418	1	COVER	
2	72427712	1	SEAL 80X3MM	
3	72373899	3	STUD BOLT	DIN 835 M8X20-A4C
4	72323688	3	RING	
5	72313268	3	NUT	DIN 934 M8-8A3L



033435

Item	Part Number	Qty	Description Comments	Technical Specification
FASTENINGS				
1	72606335	1	HEXAGONAL HEAD BOLT	M8X60
2	72311788	2	DISC	DIN 125-8,4-ST.A3L
3	72315534	1	HEXAGONAL HEAD BOLT	DIN 931 M8 X 70-8.8
4	72315501	1	SOCKET HEAD BOLT	DIN 912 M10X50-8.8
5	72311803	1	DISC	DIN 433-10,5-ST.A3L
20			RE. HYDRAULIC SYSTEM PUMP DRIVE FRONT	



0 40109

Fendt

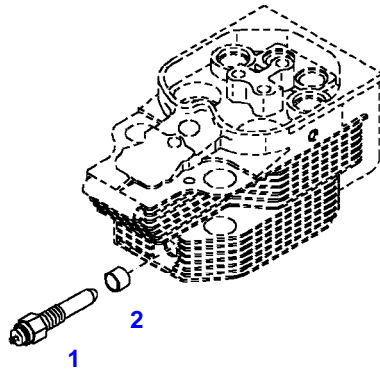
FENDT 206V NA (210/00101-99999)

F210105

SET OF GASKETS

Page01-0016

Item	Part Number	Qty	Description Comments
			ENGINE
1	72622681	1	SEAL KIT



040874

Thank you so much for reading.
Please click the “Buy Now!”
button below to download the
complete manual.



After you pay.

You can download the most
perfect and complete manual in
the world immediately.

Our support email:

ebooklibonline@outlook.com