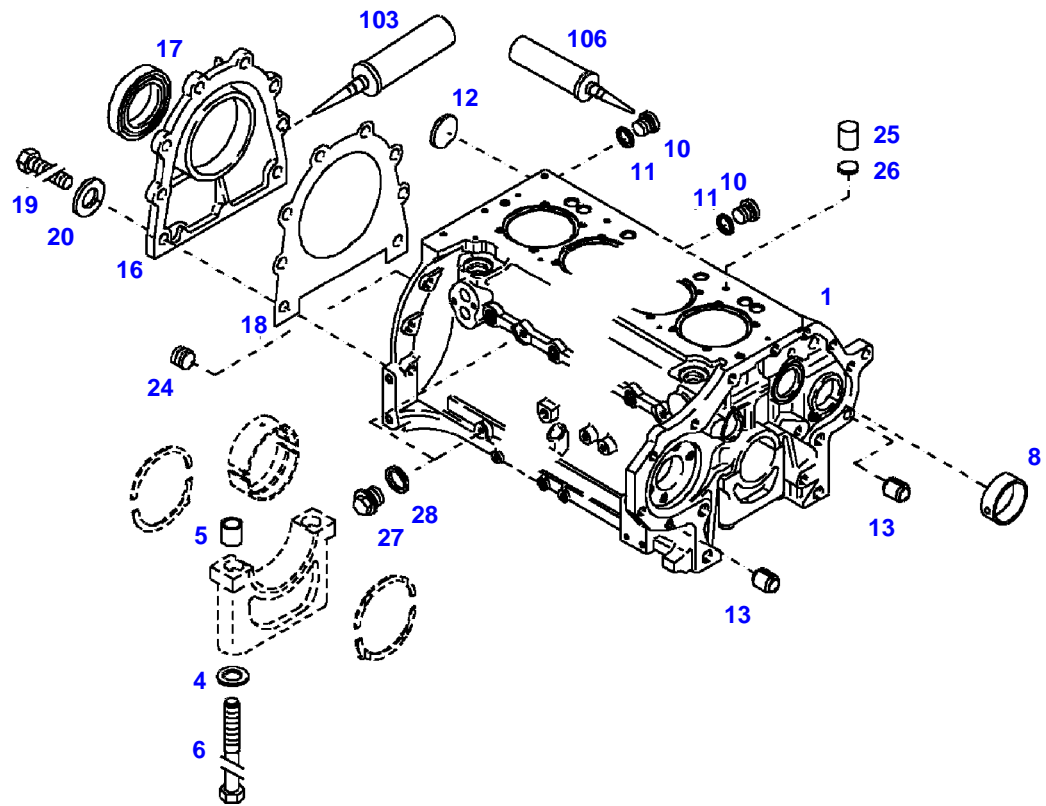


**TABLE OF CONTENT**

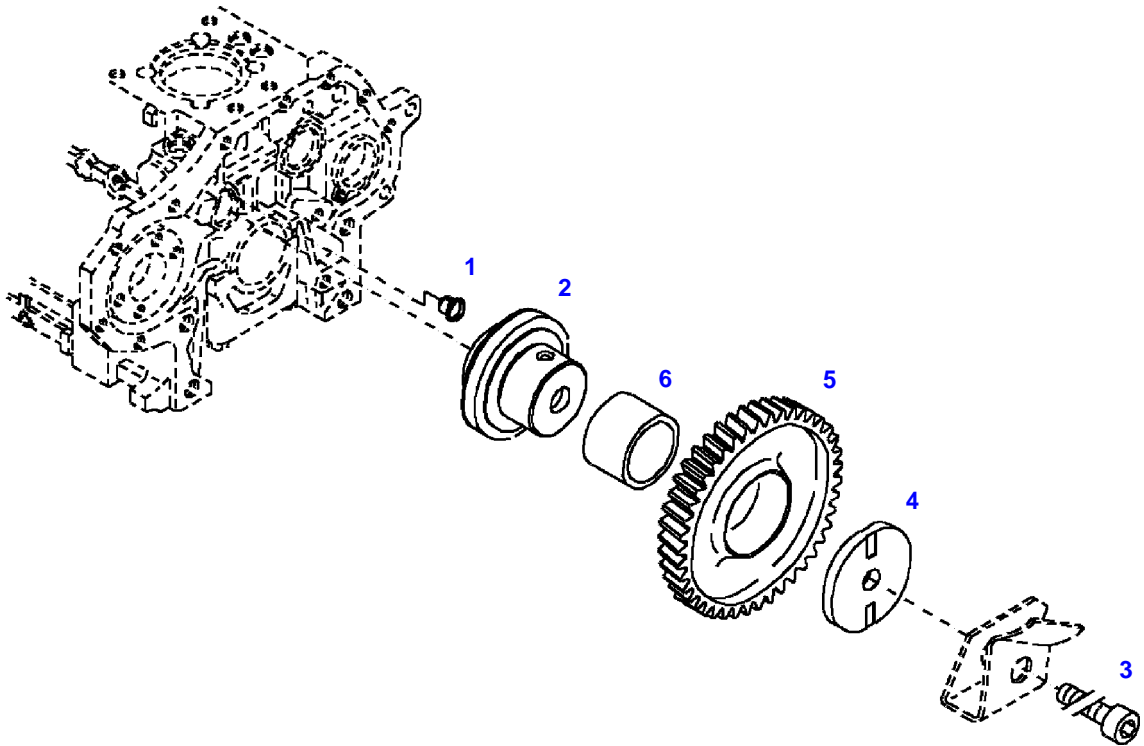
| <b>Page Number</b> | <b>Page Title</b>                   | <b>Page Reference</b> |
|--------------------|-------------------------------------|-----------------------|
| 01-000-TOC         | ENGINE, FUEL AND EXHAUST SYSTEM     | 01-000-TOC            |
| 02-000-TOC         | AXLES                               | 02-000-TOC            |
| 03-000-TOC         | STEERING SYSTEM                     | 03-000-TOC            |
| 04-000-TOC         | DRIVE TRAIN SYSTEM                  | 04-000-TOC            |
| 05-000-TOC         | HYDRAULIC SYSTEM                    | 05-000-TOC            |
| 06-000-TOC         | ELECTRICAL SYSTEM                   | 06-000-TOC            |
| 07-000-TOC         | CAB                                 | 07-000-TOC            |
| 08-000-TOC         | AIR CONDITIONING AND HEATING SYSTEM | 08-000-TOC            |
| 09-000-TOC         | CHASSIS                             | 09-000-TOC            |
| 10-000-TOC         | WHEELS                              | 10-000-TOC            |
| 11-000-TOC         | IMPLEMENT LIFT SYSTEM FRONT         | 11-000-TOC            |
| 12-000-TOC         | IMPLEMENT LIFT SYSTEM REAR          | 12-000-TOC            |
| 13-000-TOC         | ACCESSORIES                         | 13-000-TOC            |

FENDT 209V NA (214/00101-99999)  
33510



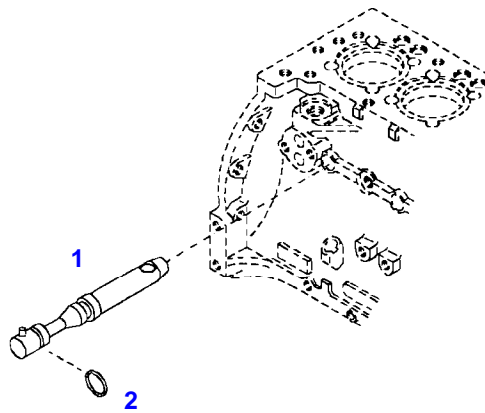
033510

| Item | Part Number | Qty | Description<br>Comments   | Technical Specification                       |
|------|-------------|-----|---|---|
|      | 72427692    | 1   | DIESEL ENGINE<br>ENGINE NEW<br><-- 214/0101 --> 214/0200<br><-- 214/1001 --> 214/2226<br><-- Z214.202.010.010 | F329  |
|      | 72436666    | 1   | ENGINE EXCHANGE<br>DIESEL ENGINE<br>ENGINE NEW<br><-- 214/2227<br><-- Z214.202.010.020                        |   |
| 1    | 72431548    | 1   | ENGINE EXCHANGE<br>CRANKCASE<br>><4-6,8,10-13,24,27,28  |   |
| 4    | 72323682    | 10  | DISC  |   |
| 5    | 72344342    | 10  | ADAPTER BUSH  |   |
| 6    | 72344343    | 10  | HEXAGONAL HEAD BOLT   |   |
| 8    | 72344344    | 1   | BUSH  |   |
| 10   | 72427167    | 5   | SCREW   | DIN 908 M12 X<br>1,5-ST-A3                    |
| 11   | 72315090    | 5   | SEALING WASHER  | DIN 7603<br>A12X15,5-CU                       |
| 12   | 72323690    | 1   | LOCKING DISC  |   |
| 13   | 72323573    | 2   | TENSIONER BUSHING   |   |
| 16   | 72324099    | 1   | COVER   |   |
| 17   | 72425119    | 1   | SHAFT SEAL  |   |
| 18   | 72324291    | 1   | SEAL  |   |
| 19   | 72315650    | 8   | HEXAGONAL HEAD BOLT   | DIN 933 M8 X<br>20-8.8A3L                     |
| 20   | 72311788    | 8   | DISC  |   |
| 24   | 72431459    | 2   | SCREW   | DIN 125-8,4-ST.A3L                            |
| 25   | 72323592    | 3   | PLUG  |   |
| 26   | 72323572    | 3   | DISC  |   |
| 27   | 72374942    | 1   | PLUG  |   |
| 28   | 72315088    | 1   | SEALING WASHER  | DIN 7604 CM10X1-ST<br>DIN 7603<br>A10X13,5-CU |
| 103  | 72311273    | 1   | SEALING COMPOUND  | TEROST-63S                                    |
| 106  | 72431547    | 1   | SEALING COMPOUND  |   |



033511

| Item | Part Number | Qty | Description<br>Comments   |
|------|-------------|-----|---------------------------|
|      |             |     | <b>INTERM. GEAR WHEEL</b> |
| 1    | 72344346    | 1   | TENSIONER BUSHING         |
| 2    | 72344347    | 1   | PIVOT                     |
| 3    | 72324090    | 1   | SOCKET HEAD BOLT          |
| 4    | 72324457    | 1   | DISC                      |
| 5    | 72420823    | 1   | INTERMEDIATE GEAR<br>><6  |
| 6    | 72324455    | 1   | BUSH                      |



040154

---

Fendt

FENDT 209V NA (214/00101-99999)

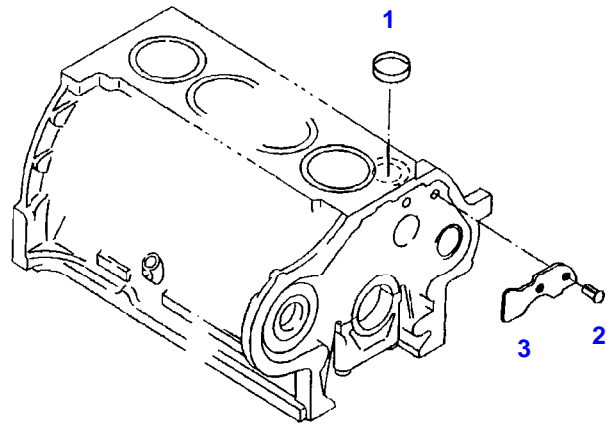
F214105

CRANKCASE

Page01-0003

---

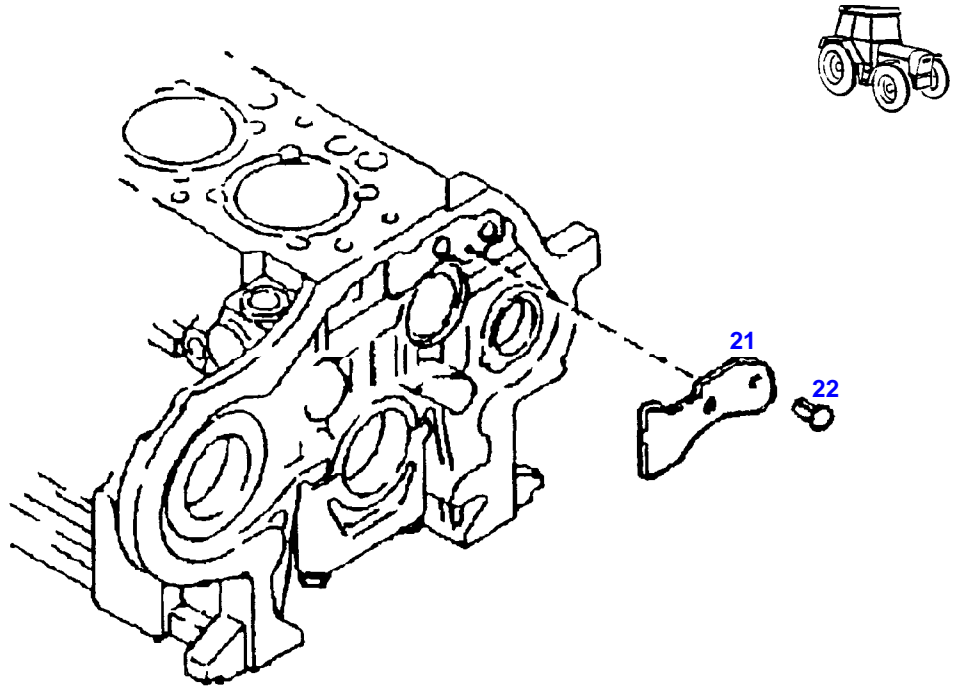
| Item | Part Number | Qty | Description<br>Comments |
|------|-------------|-----|-------------------------|
|      |             |     | <b>NOZZLE</b>           |
| 1    | 72324217    | 4   | SPRAY NOZZLE<br>>< 2    |
| 2    | 72323628    | 4   | SEAL                    |



040097



| Item | Part Number | Qty | Description<br>Comments  | Technical Specification |
|------|-------------|-----|--|-------------------------|
|      |             |     | LOCKING PLUG<br><-- 214/0101 --> 214/0200<br><-- 214/1001 --> 214/2226 |                         |
| 1    | 72323653    | 1   | CORE HOLE PLUG   |                         |
| 2    | 72372707    | 2   | SLOTTED PIN  | DIN 1476-6X10-ST        |
| 3    | 72344345    | 1   | BAFFLE   |                         |



12459

---

Fendt

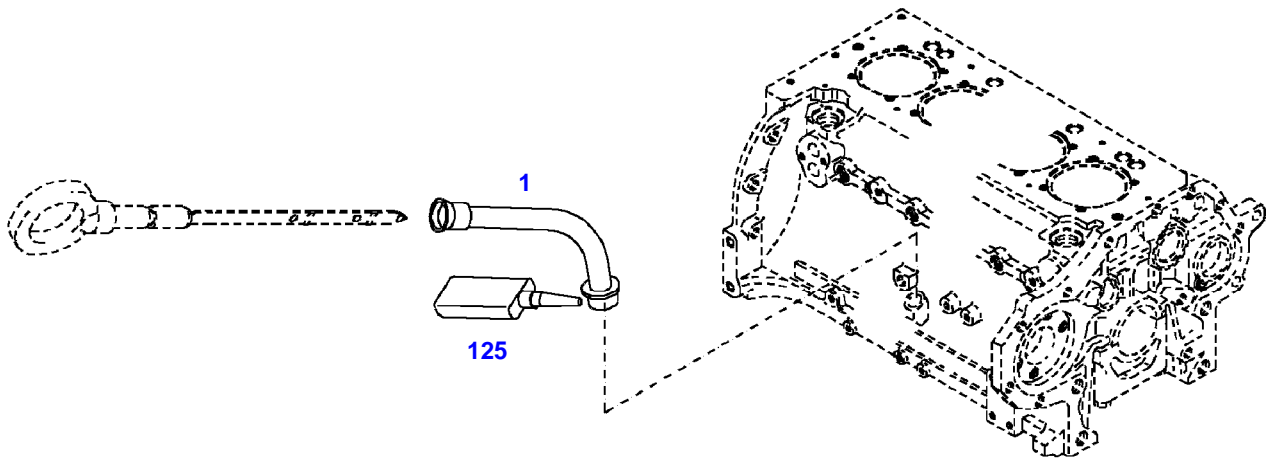
FENDT 209V NA (214/00101-99999)

F214105

CRANKCASE

Page01-0005

| Item | Part Number | Qty | Description<br>Comments               | Technical Specification |
|------|-------------|-----|---------------------------------------|-------------------------|
|      |             |     | <b>BLANKING PARTS</b><br><-- 214/2227 |                         |
| 21   | 72344345    | 1   | BAFFLE                                |                         |
| 22   | 72372707    | 2   | SLOTTED PIN                           | DIN 1476-6X10-ST        |



033512

---

Fendt

FENDT 209V NA (214/00101-99999)

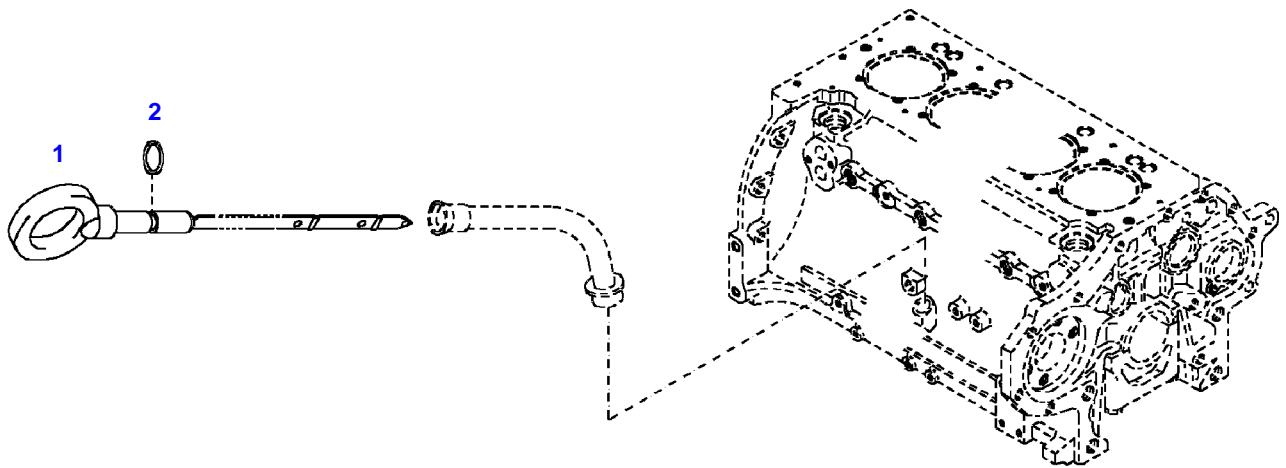
F214105

OIL DIPSTICK

Page01-0006

---

| Item | Part Number | Qty | Description<br>Comments |
|------|-------------|-----|-------------------------|
|      |             |     | <b>GUIDE TUBE</b>       |
| 1    | 72428343    | 1   | GUIDE TUBE              |
| 125  | 72415445    | 1   | SAFE.LOCK AGENT         |



033528

---

Fendt

FENDT 209V NA (214/00101-99999)

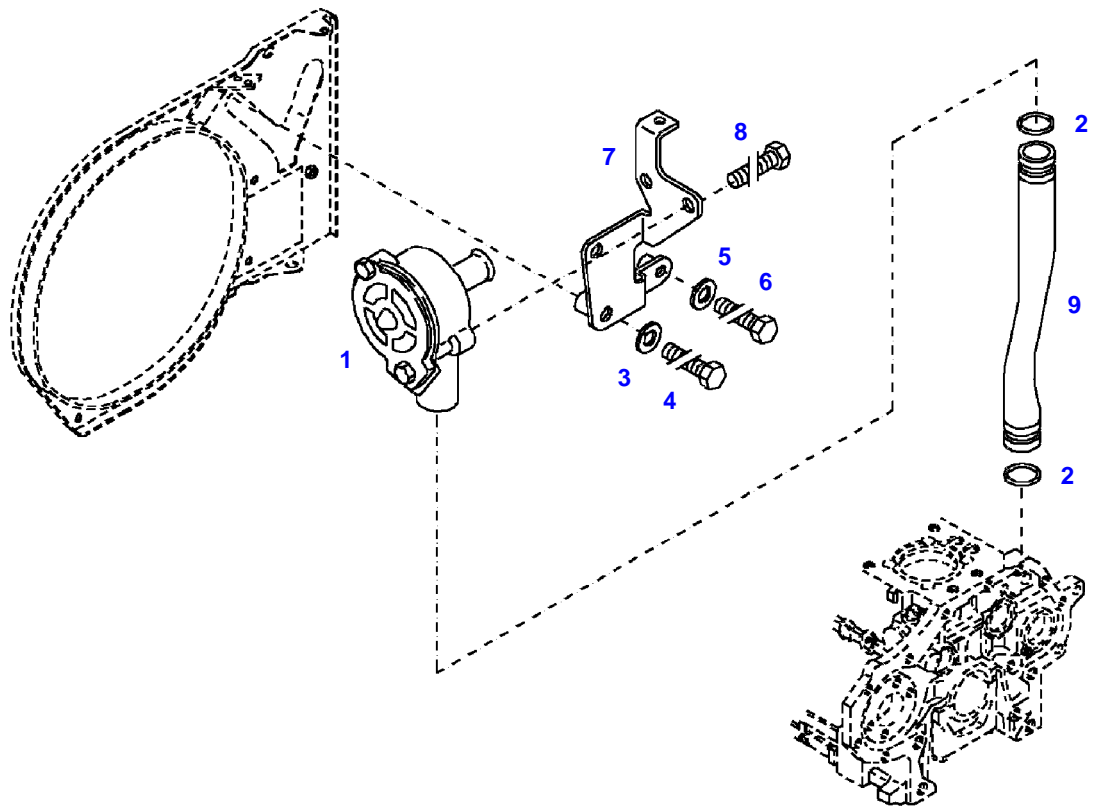
F214105

OIL DIPSTICK

Page01-0007

---

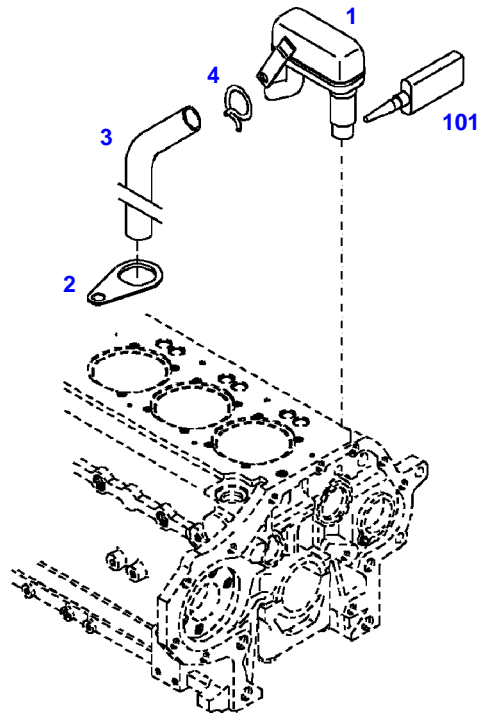
| Item | Part Number | Qty | Description<br>Comments |
|------|-------------|-----|-------------------------|
| 1    | 72451107    | 1   | DIPSTICK<br>><2         |
| 2    | 72323559    | 1   | PERMANENT REINFORCEMENT |



033513



| Item | Part Number | Qty | Description<br>Comments                                | Technical Specification |
|------|-------------|-----|--|-------------------------|
|      |             |     | <-- 214/0101 --> 214/0200<br><-- 214/1001 --> 214/2226 |                         |
| 1    | 72615403    | 1   | BLEEDER VALVE  |                         |
| 2    | 72416005    | 2   | SEAL<br>24X3MM   |                         |
| 3    | 72611358    | 1   | DISC   |                         |
| 4    | 72427710    | 1   | HEXAGONAL HEAD BOLT<br>M8X35                           |                         |
| 5    | 72416026    | 1   | DISC   |                         |
| 6    | 72427711    | 1   | HEXAGONAL HEAD BOLT<br>M6X30                           |                         |
| 7    | 72431551    | 1   | RETAINER   |                         |
| 8    | 72315650    | 2   | HEXAGONAL HEAD BOLT                                    | DIN 933 M8 X 20-8.8A3L  |
| 9    | 72431552    | 1   | BREATHER PIPE  |                         |



035121

---

Fendt

FENDT 209V NA (214/00101-99999)

F214105

CRANKCASE BREATHER

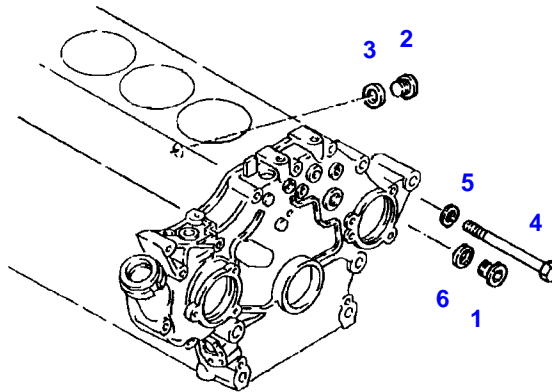
Page01-0009

---

| Item | Part Number | Qty | Description<br>Comments |
|------|-------------|-----|-------------------------|
|      |             |     | <-- 214/2227            |
| 1    | 72451208    | 1   | BLEEDER VALVE           |
| 2    | 72426064    | 1   | RETAINING SHEET METAL   |
| 3    | 72451209    | 1   | HOSE                    |
| 4    | 72431275    | 1   | CLAMP                   |
| 101  | 72431276    | 1   | SEALING COMPOUND        |

FENDT 209V NA (214/00101-99999)  
40099

---

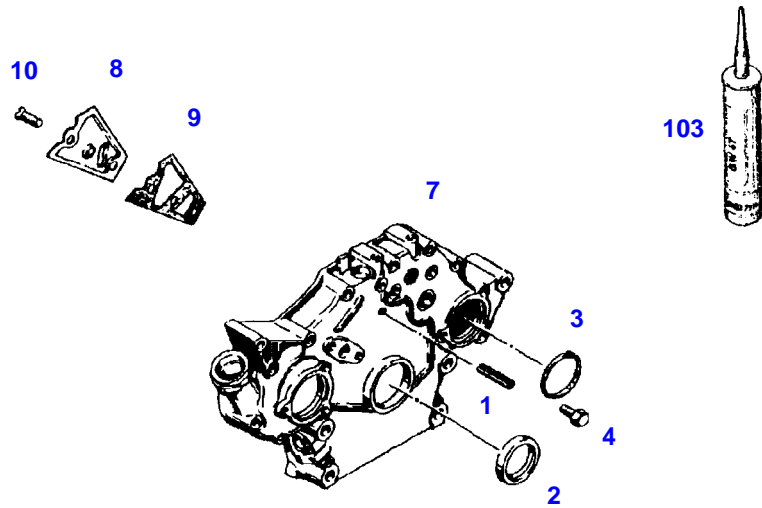


040099

| Item                  | Part Number | Qty | Description<br>Comments | Technical Specification |
|-----------------------|-------------|-----|-------------------------|-------------------------|
| <b>BLANKING PARTS</b> |             |     |                         |                         |
| 1                     | 72315440    | 1   | PLUG SCREW              | DIN 908 M18 X 1,5-ST    |
| 2                     | 72427167    | 1   | SCREW                   | DIN 908 M12 X 1,5-ST-A3 |
| 3                     | 72315090    | 1   | SEALING WASHER          | DIN 7603 A12X15,5-CU    |
| 4                     | 72315534    | 2   | HEXAGONAL HEAD BOLT     | DIN 931 M8 X 70-8.8     |
| 5                     | 72311788    | 1   | DISC                    | DIN 125-8,4-ST.A3L      |
| 6                     | 72315100    | 1   | SEALING WASHER          | DIN 7603 A18X24-CU      |

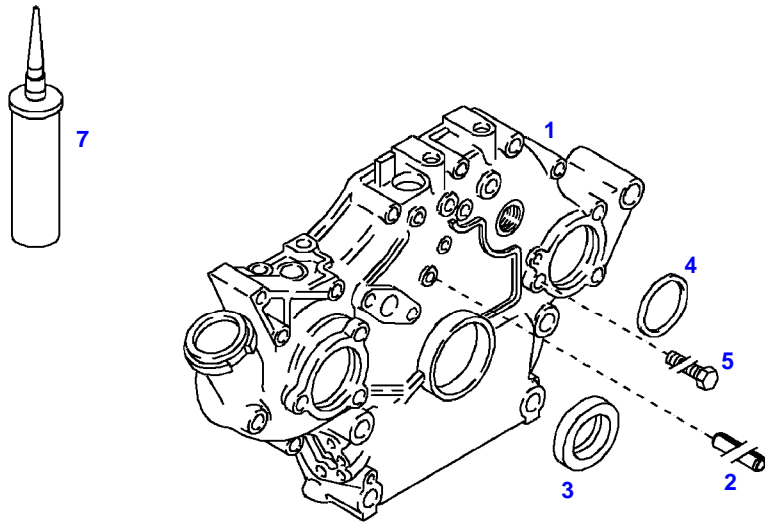
FENDT 209V NA (214/00101-99999)  
40155

---



040155

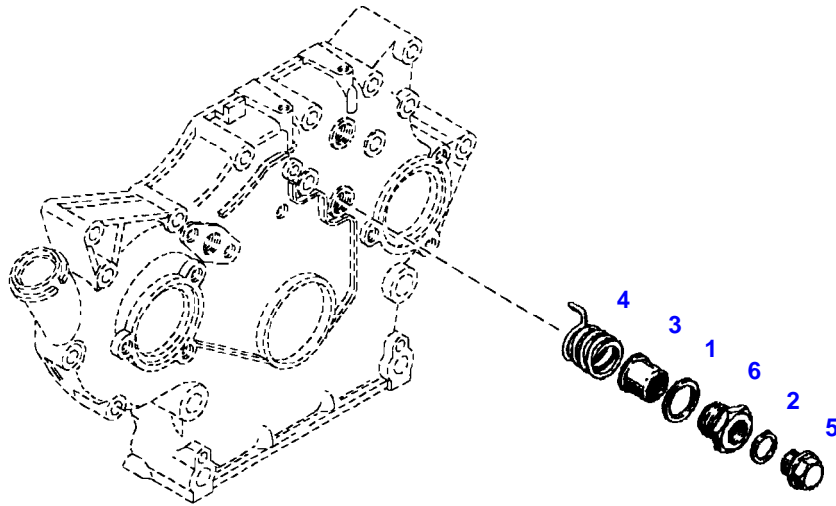
| Item | Part Number | Qty | Description<br>Comments                                | Technical Specification        |
|------|-------------|-----|--|--------------------------------|
|      |             |     | <-- 214/0101 --> 214/0200<br><-- 214/1001 --> 214/2226 |                                |
| 1    | 72375153    | 1   | TENSIONING PIN   | ISO8752-6X45-A-ST-ZNPHR10F-KOE |
| 2    | 72317651    | 1   | SHAFT SEAL   |                                |
| 3    | 72323566    | 1   | PERMANENT REINFORCEMENT                                |                                |
| 4    | 72374417    | 1   | HEXAGONAL HEAD BOLT                                    | DIN 933 M8X8-8.8               |
| 7    | 72431553    | 1   | CRANKCASE END COVER                                    |                                |
| 8    | 72416037    | 1   | COVER PANEL  |                                |
| 9    | 72416038    | 1   | SEAL   |                                |
| 10   | 72418423    | 3   | THREAD-CUTTING TAPPING SCREW                           | DIN 7513-FE M6X16-ST           |
| 103  | 72311273    | 1   | SEALING COMPOUND                                       | TEROST-63S                     |



035122



| Item | Part Number | Qty | Description<br>Comments | Technical Specification        |
|------|-------------|-----|-------------------------|--------------------------------|
|      |             |     | <-- 214/2227            |                                |
| 1    | 72323843    | 1   | COVER                   |                                |
| 2    | 72375153    | 1   | TENSIONING PIN          | ISO8752-6X45-A-ST-ZNPHR10F-KOE |
| 3    | 72317651    | 1   | SHAFT SEAL              |                                |
| 4    | 72323566    | 1   | PERMANENT REINFORCEMENT |                                |
| 5    | 72374417    | 1   | HEXAGONAL HEAD BOLT     | DIN 933 M8X8-8.8               |
| 7    | 72311273    | 1   | SEALING COMPOUND        | TEROST-63S                     |

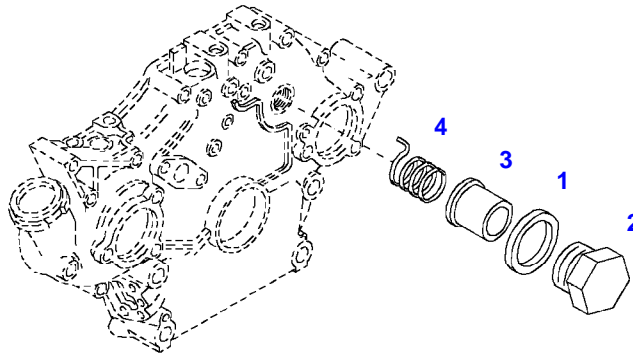


040107

| Item | Part Number | Qty | Description<br>Comments | Technical Specification    |
|------|-------------|-----|-------------------------|----------------------------|
|      |             |     | <b>BLANKING PARTS</b>   |                            |
|      |             |     | <b>ENGINE NUMBER</b>    |                            |
|      |             |     | --> 8674078             |                            |
| 1    | 72376036    | 1   | SEALING WASHER          | DIN7603 A24X30-ALU         |
| 2    | 72315099    | 1   | SEALING WASHER          | DIN 7603 A18X22-CU         |
| 3    | 72323827    | 1   | START-UP CAP            |                            |
| 4    | 72324159    | 1   | COMPRESSION SPRING      |                            |
| 5    | 72315801    | 1   | SCREW                   | DIN 7604-AM18 X 1,5-ST A3L |
| 6    | 72324020    | 1   | SCREW                   |                            |

FENDT 209V NA (214/00101-99999)  
40416

---



040416

Fendt

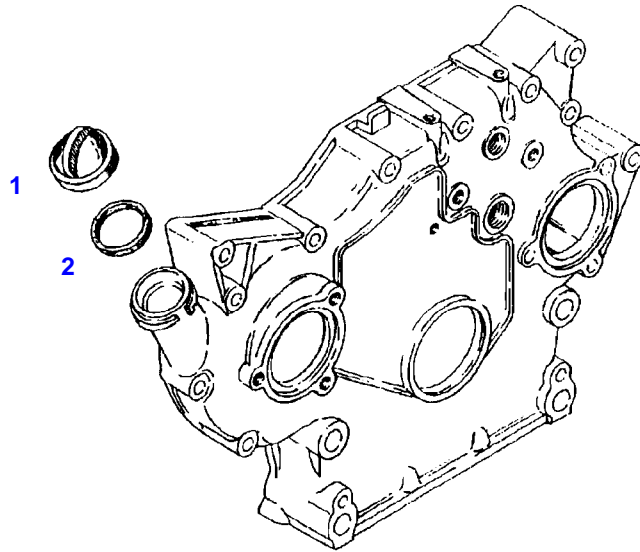
FENDT 209V NA (214/00101-99999)

F214105

FRONT COVER

Page01-0014

| Item | Part Number | Qty | Description<br>Comments  | Technical Specification |
|------|-------------|-----|--|-------------------------|
|      |             |     | <b>BLANKING PARTS</b><br><b>ENGINE NUMBER</b><br><b>&lt;-- 8674079</b> |                         |
| 1    | 72376036    | 1   | SEALING WASHER   | DIN7603 A24X30-ALU      |
| 2    | 72323829    | 1   | SCREW  |                         |
| 3    | 72323827    | 1   | START-UP CAP   |                         |
| 4    | 72324159    | 1   | COMPRESSION SPRING   |                         |



040104

---

Fendt

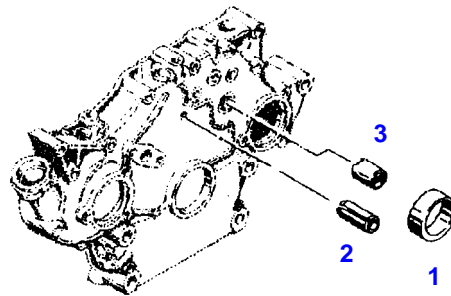
FENDT 209V NA (214/00101-99999)

F214105

FRONT COVER

Page01-0015

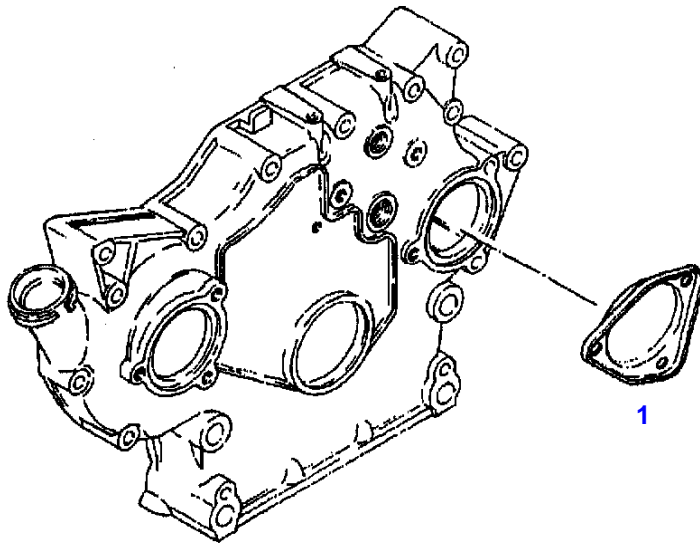
| Item | Part Number | Qty | Description<br>Comments |
|------|-------------|-----|-------------------------|
|      |             |     | LOCKING                 |
| 1    | 72323709    | 1   | COVER<br>><2            |
| 2    | 72323708    | 1   | SEALING WASHER          |



040105



| Item | Part Number | Qty | Description<br>Comments                        | Technical Specification        |
|------|-------------|-----|--|--------------------------------|
|      |             |     | CLAMPING PARTS<br>ENGINE NUMBER<br>--> 8701893 |                                |
| 1    | 72323976    | 1   | RING   |                                |
| 2    | 72313818    | 1   | TENSIONING PIN                                 | ISO8752-6X20-A-ST-ZNPHR10F-KOE |
| 3    | 72324243    | 1   | DRIVER   |                                |



040106

Thank you so much for reading.  
Please click the “Buy Now!”  
button below to download the  
complete manual.



After you pay.

You can download the most  
perfect and complete manual in  
the world immediately.

Our support email:

[ebooklibonline@outlook.com](mailto:ebooklibonline@outlook.com)