

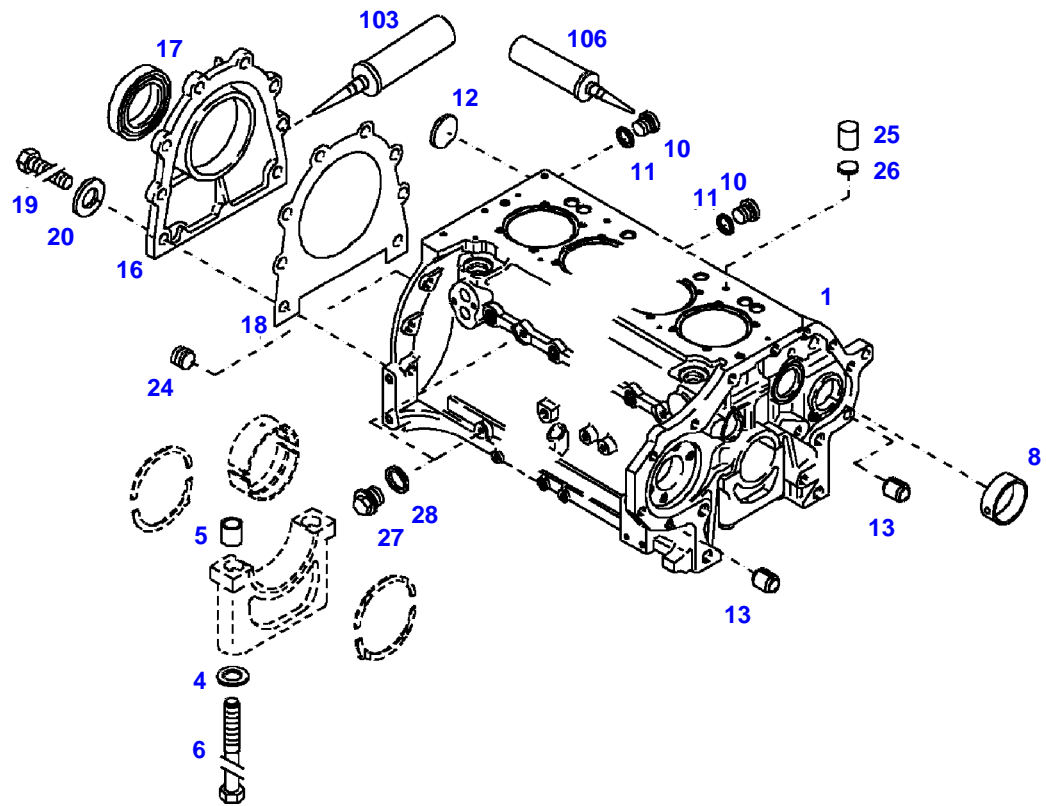
<b>Page Number</b>	<b>Page Title</b>	<b>Page Reference</b>
01-000-TOC	ENGINE, FUEL AND EXHAUST SYSTEM	01-000-TOC
02-000-TOC	AXLES	02-000-TOC
03-000-TOC	STEERING SYSTEM	03-000-TOC
04-000-TOC	DRIVE TRAIN SYSTEM	04-000-TOC
05-000-TOC	COMPRESSED AIR SYSTEM	05-000-TOC
06-000-TOC	HYDRAULIC SYSTEM	06-000-TOC
07-000-TOC	ELECTRICAL SYSTEM	07-000-TOC
08-000-TOC	CAB	08-000-TOC
09-000-TOC	AIR CONDITIONING AND HEATING SYSTEM	09-000-TOC
10-000-TOC	CHASSIS	10-000-TOC
11-000-TOC	WHEELS	11-000-TOC
12-000-TOC	IMPLEMENT LIFT SYSTEM FRONT	12-000-TOC
13-000-TOC	IMPLEMENT LIFT SYSTEM REAR	13-000-TOC
14-000-TOC	FRONT/REAR LOADERS	14-000-TOC
15-000-TOC	ACCESSORIES	15-000-TOC

Page Number	Page Title	Page Reference
01-0001	CRANKCASE	2010
01-0002	CRANKCASE	2015
01-0003	INTERM. GEAR WHEEL CRANKCASE NOZZLE	2020
01-0004	CRANKCASE LOCKING PLUG <-- 221/0101 --> 221/0200 <-- 221/1001 --> 221/2010	2025
01-0005	CRANKCASE BLANKING PARTS <-- 221/2011	2026
01-0006	OIL DIPSTICK GUIDE TUBE	2030
01-0007	OIL DIPSTICK	2036
01-0008	CRANKCASE BREATHER <-- 221/0101 --> 221/0200 <-- 221/1001 --> 221/2010	2040
01-0009	CRANKCASE BREATHER <-- 221/2011	2041
01-0010	FRONT COVER BLANKING PARTS	2045
01-0011	FRONT COVER <-- 221/0101 --> 221/0200 <-- 221/1001 --> 221/2010	2050
01-0012	FRONT COVER <-- 221/2011	2051
01-0013	FRONT COVER BLANKING PARTS ENGINE NUMBER --> 8674078	2055
01-0014	FRONT COVER BLANKING PARTS ENGINE NUMBER <-- 8674079	2056
01-0015	FRONT COVER LOCKING	2060
01-0016	FRONT COVER CLAMPING PARTS ENGINE NUMBER --> 8701893	2065
01-0017	FRONT COVER CLAMPING PARTS	2070
01-0018	FRONT COVER FASTENINGS	2072
01-0019	FRONT COVER CLAMPING PARTS	2075
01-0020	SET OF GASKETS ENGINE	2078
01-0021	TEMP. TRANSMITTER ENGINE TEMP.	2080
01-0022	CYLINDER HEAD COVER	2085
01-0023	CYLINDER HEAD FASTENINGS	2090
01-0024	CYLINDER HEAD ENGINE NUMBER --> 8686072	2095
01-0025	CYLINDER HEAD ENGINE NUMBER <-- 8686073 --> 8689109	2096
01-0026	CYLINDER HEAD ENGINE NUMBER <-- 8689110 --> 8750180	2097

Page Number	Page Title	Page Reference
01-0027	CYLINDER HEAD ENGINE NUMBER <-- 8750181	2098
01-0028	VALVE DRIVE	2100
01-0029	VALVE DRIVE PROTECTING TUBE	2105
01-0030	CYLINDER	2110
01-0031	CAMSHAFT	2115
01-0032	MASS BALANCER GEAR	2120
01-0033	PISTON	2125
01-0034	CONNECTING ROD	2130
01-0035	CRANKSHAFT	2135
01-0036	CRANKSHAFT V-BELT PULLEY	2140
01-0037	FLYWHEEL	2145
01-0038	OIL PAN ENGINE NUMBER --> 8714291	2150
01-0039	OIL PAN ENGINE NUMBER <-- 8714292	2151
01-0040	LUBE OIL PUMP	2155
01-0041	PRESSURE OIL PIPE	2160
01-0042	OIL SUCTION TUBE	2165
01-0043	LUBRIC. OIL COOLER	2170
01-0044	FILTER CARRIER	2175
01-0045	FILTER CARRIER BLANKING PARTS	2178
01-0046	OIL FILTER	2180
01-0047	OIL PRESSURE SWITCH	2185
01-0048	MANIFOLD	2190
01-0049	TURBO-SUPERCHARGER	2195
01-0050	TURBO-SUPERCHARGER FASTENINGS	2200
01-0051	TURBO-SUPERCHARGER LUBE OIL LINE	2205
01-0052	TURBO-SUPERCHARGER RETURN LINE	2210
01-0053	INTAKE MANIFOLD	2215
01-0054	TUBE	2220
01-0055	INJECTION PUMP LUBE OIL LINE	2225
01-0056	INJECTION PUMP FUEL PUMP	2230
01-0057	INJECTION PUMP SINGLE PART	2233
01-0058	ADJUSTING DEVICE	2235
01-0059	ENGINE STOP ENGINE NUMBER --> 8754195	2240
01-0060	ENGINE STOP ENGINE NUMBER <-- 8754196	2241
01-0061	ENGINE STOP MAGNET	2245
01-0062	ENGINE STOP PLUG HOUSING	2250
01-0063	INJECTION LINE ENGINE NUMBER --> 8760283 <-- 8774483 --> 8777328 <-- 8777469 --> 8777705	2255

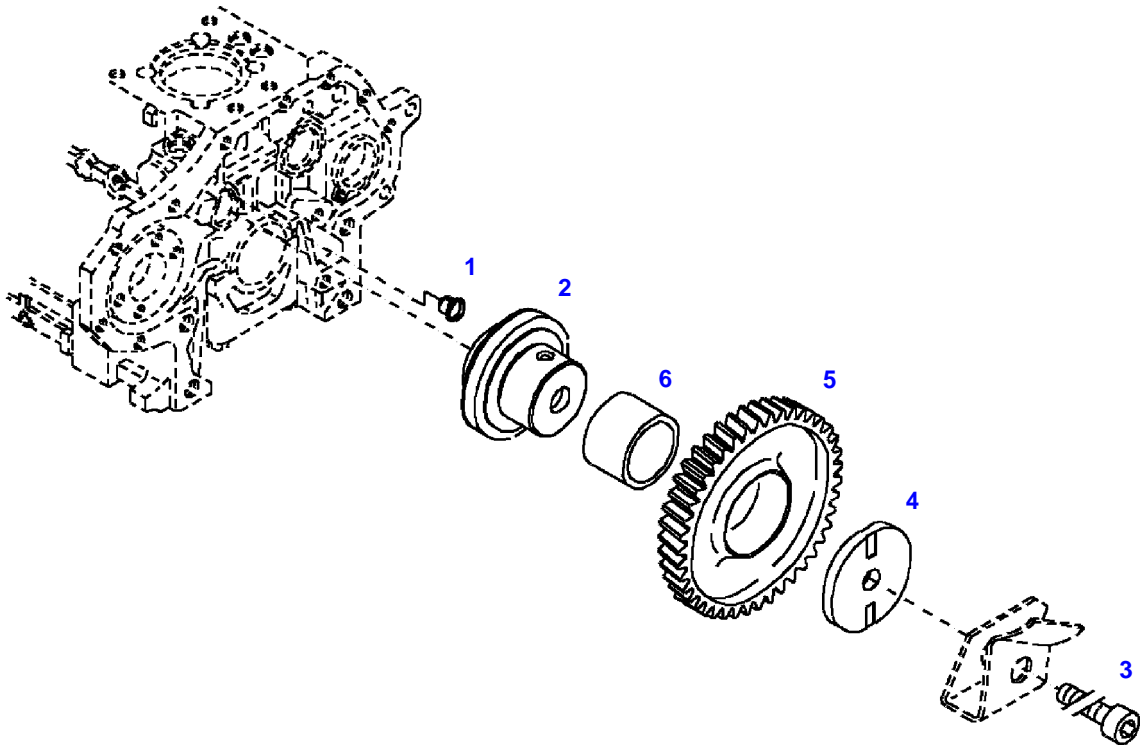
Page Number	Page Title	Page Reference
01-0064	INJECTION LINE ENGINE NUMBER <-- 8760284 --> 8774482 <-- 8777329 --> 8777468 <-- 8777706	2256
01-0065	INJECTOR VALVE	2270
01-0066	COLD STARTING AID HEATER PLUG	2275
01-0067	COLD STARTING AID SOLENOID VALVE	2280
01-0068	COLD STARTING AID FUEL LINES	2285
01-0069	HYDRAULIC OIL COOLING	2290
01-0070	AIR GUIDANCE	2295
01-0071	COOLING AIR BLOWER	2301
01-0072	FAN PANELLING VERTICAL SHEET	2305
01-0073	FAN PANELLING VERTICAL SHEET REAR	2310
01-0074	FAN PANELLING SCREENING SHEET	2315
01-0075	FAN PANELLING GUIDE STRIP	2320
01-0076	FAN PANELLING AIR DUCT	2325
01-0077	FAN PANELLING TOP PART	2330
01-0078	BULKHEAD <-- 221/0101 --> 221/0200 <-- 221/1001 --> 221/2010	2580
01-0079	BULKHEAD <-- 221/2011	2581
01-0080	FUEL TANK <-- 221/0101 --> 221/0200 <-- 221/1001 --> 221/2008	2600
01-0081	FUEL TANK <-- 221/2009	2601
01-0082	FUEL LINES	2620
01-0083	FUEL FILTER	2640
01-0084	AIR FILTER <-- 221/0101 --> 221/0200 <-- 221/1001 --> 221/2010	2680
01-0085	AIR FILTER <-- 221/2011	2681
01-0086	EXHAUST TO BOTTOM FRONTLOADER	2740
01-0087	EXHAUST UPRIGHT MID MOUNTED IMPLEMENT LEFT	2750
01-0088	SPEED CONTROL MANUAL OPERATION	2800
01-0089	SPEED CONTROL FOOT OPERATION	2820
01-0090	V-BELT	2900
01-0091	V-BELT WITH AIR BRAKIN SYSTEM	2910
01-0092	TENSION ROLLER	2915

FENDT 208P NA (221/00101-99999)  
33510



033510

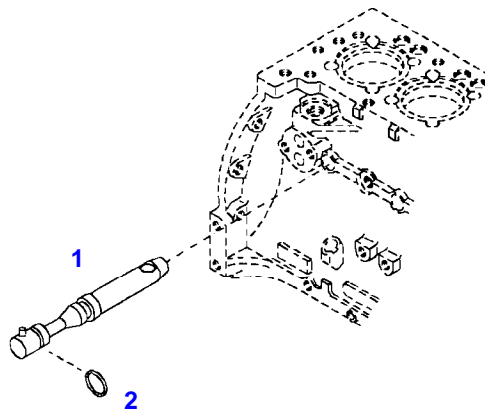
Item	Part Number	Qty	Description Comments	Technical Specification
	72430037	1	DIESEL ENGINE ENGINE NEW <-- 221/0101 --> 221/0200 <-- 221/1001 --> 221/2010 <-- Z213.202.010.020 ENGINE EXCHANGE <>	
	72436452	1	DIESEL ENGINE ENGINE NEW <-- 221/2011 <-- Z213.202.010.030 ENGINE EXCHANGE	F329
1	72431548	1	CRANKCASE ><4-6,8,10-13,24,27,28	
4	72323682	10	DISC	
5	72344342	10	ADAPTER BUSH	
6	72344343	10	HEXAGONAL HEAD BOLT	
8	72344344	1	BUSH	
10	72427167	5	SCREW	DIN 908 M12 X 1,5-ST-A3
11	72315090	5	SEALING WASHER	DIN 7603 A12X15,5-CU
12	72323690	1	LOCKING DISC	
13	72323573	2	TENSIONER BUSHING	
16	72324099	1	COVER	
17	72425119	1	SHAFT SEAL	
18	72324291	1	SEAL	
19	72315650	8	HEXAGONAL HEAD BOLT	DIN 933 M8 X 20-8.8A3L
20	72311788	8	DISC	
24	72431459	2	SCREW	DIN 125-8,4-ST.A3L
25	72323592	3	PLUG	
26	72323572	3	DISC	
27	72374942	1	PLUG	DIN 7604 CM10X1-ST
28	72315088	1	SEALING WASHER	DIN 7603 A10X13,5-CU
103	72311273	1	SEALING COMPOUND	TEROST-63S
106	72431547	1	SEALING COMPOUND	



033511

Item	Part Number	Qty	Description Comments
			<b>INTERM. GEAR WHEEL</b>
1	72344346	1	TENSIONER BUSHING
2	72344347	1	PIVOT
3	72324090	1	SOCKET HEAD BOLT
4	72324457	1	DISC
5	72420823	1	INTERMEDIATE GEAR ><6
6	72324455	1	BUSH





040154

---

Fendt

FENDT 208P NA (221/00101-99999)

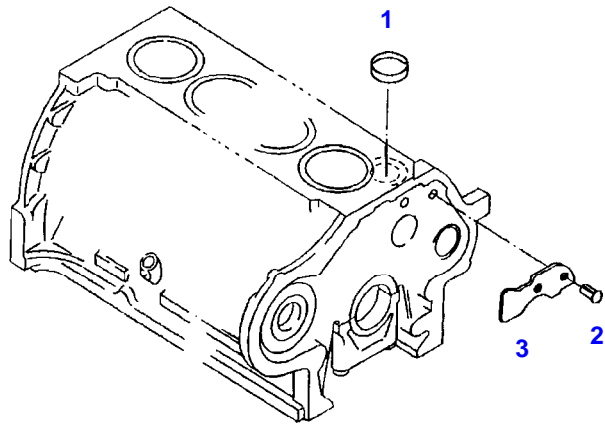
F221105

CRANKCASE

Page01-0003

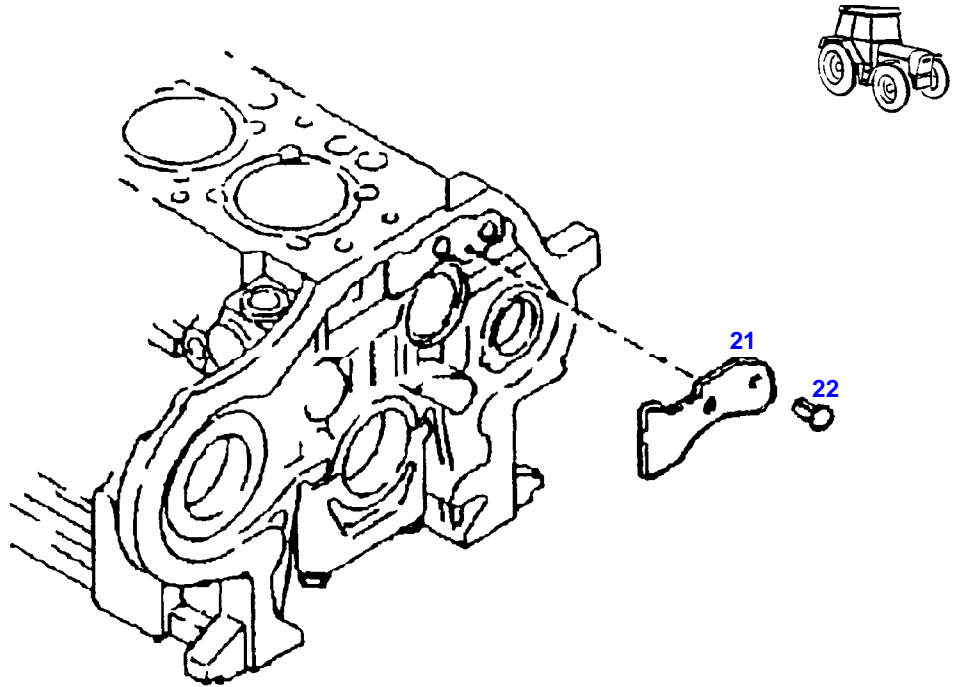
---

Item	Part Number	Qty	Description Comments
			<b>NOZZLE</b>
1	72324217	4	SPRAY NOZZLE >< 2
2	72323628	4	SEAL



040097

Item	Part Number	Qty	Description Comments	Technical Specification
			LOCKING PLUG <-- 221/0101 --> 221/0200 <-- 221/1001 --> 221/2010	
1	72323653	1	CORE HOLE PLUG	
2	72372707	2	SLOTTED PIN	DIN 1476-6X10-ST
3	72344345	1	BAFFLE	



12459

---

Fendt

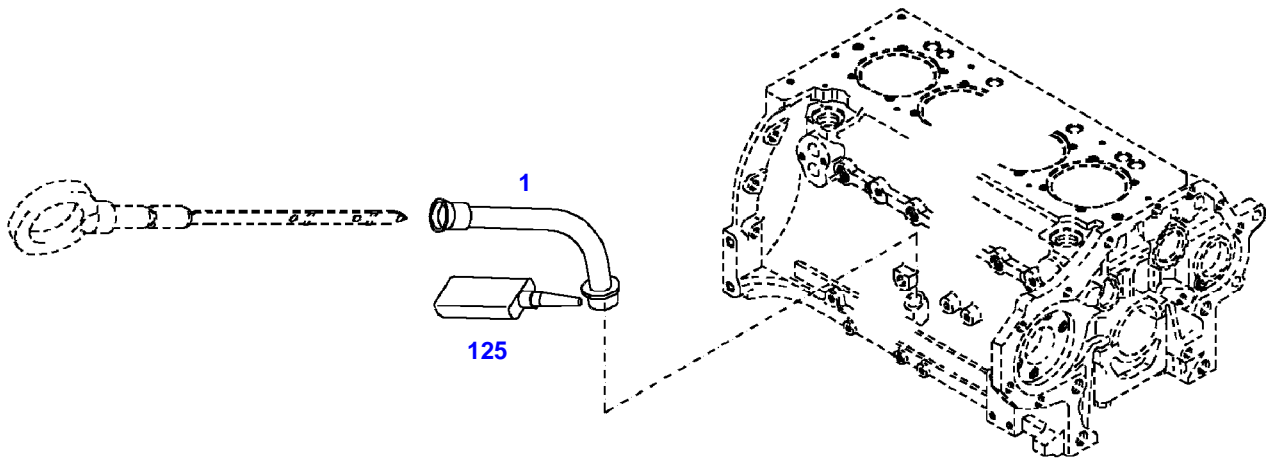
FENDT 208P NA (221/00101-99999)

F221105

CRANKCASE

Page01-0005

Item	Part Number	Qty	Description Comments	Technical Specification
			<b>BLANKING PARTS</b> <-- 221/2011	
21	72344345	1	BAFFLE	
22	72372707	2	SLOTTED PIN	DIN 1476-6X10-ST



033512

---

Fendt

FENDT 208P NA (221/00101-99999)

F221105

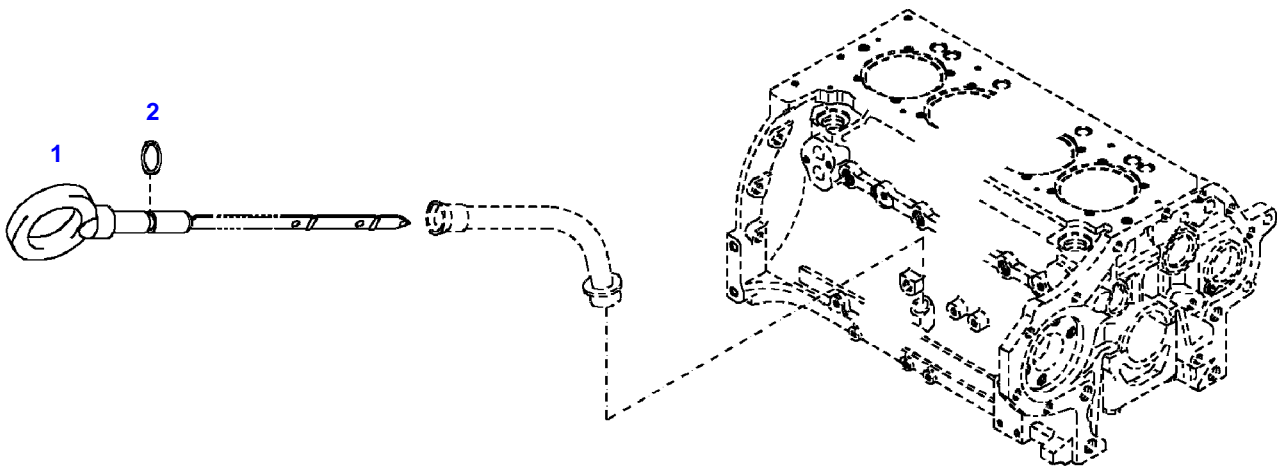
OIL DIPSTICK

Page01-0006

---

Item	Part Number	Qty	Description Comments
			<b>GUIDE TUBE</b>
1	72428343	1	GUIDE TUBE
125	72415445	1	SAFE.LOCK AGENT





033528

---

Fendt

FENDT 208P NA (221/00101-99999)

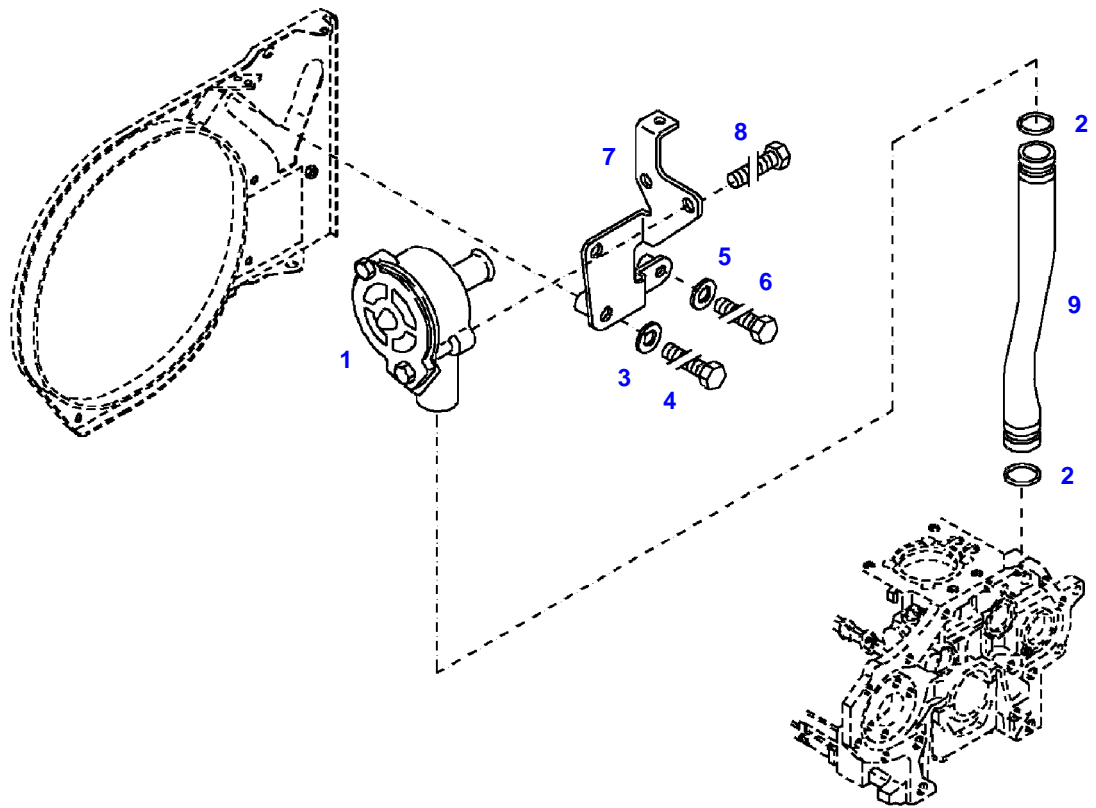
F221105

OIL DIPSTICK

Page01-0007

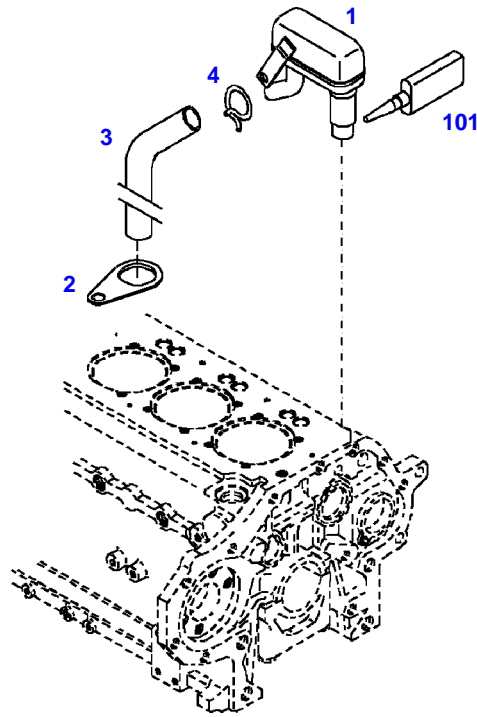
---

Item	Part Number	Qty	Description Comments
1	72451107	1	DIPSTICK ><2
2	72323559	1	PERMANENT REINFORCEMENT



033513

Item	Part Number	Qty	Description Comments	Technical Specification
			<-- 221/0101 --> 221/0200 <-- 221/1001 --> 221/2010	
1	72615403	1	BLEEDER VALVE	
2	72416005	2	SEAL 24X3MM	
3	72611358	1	DISC	
4	72427710	1	HEXAGONAL HEAD BOLT M8X35	
5	72416026	1	DISC	
6	72427711	1	HEXAGONAL HEAD BOLT M6X30	
7	72431551	1	RETAINER	
8	72315650	2	HEXAGONAL HEAD BOLT	DIN 933 M8 X 20-8.8A3L
9	72431552	1	BREATHER PIPE	



035121

---

Fendt

FENDT 208P NA (221/00101-99999)

F221105

CRANKCASE BREATHER

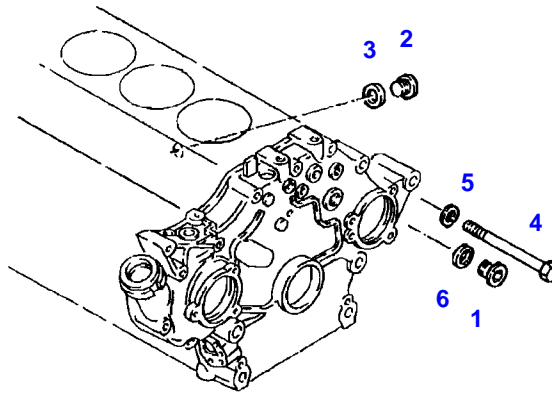
Page01-0009

---

Item	Part Number	Qty	Description Comments
			<-- 221/2011
1	72451208	1	BLEEDER VALVE
2	72426064	1	RETAINING SHEET METAL
3	72451209	1	HOSE
4	72431275	1	CLAMP
101	72431276	1	SEALING COMPOUND

FENDT 208P NA (221/00101-99999)  
40099

---



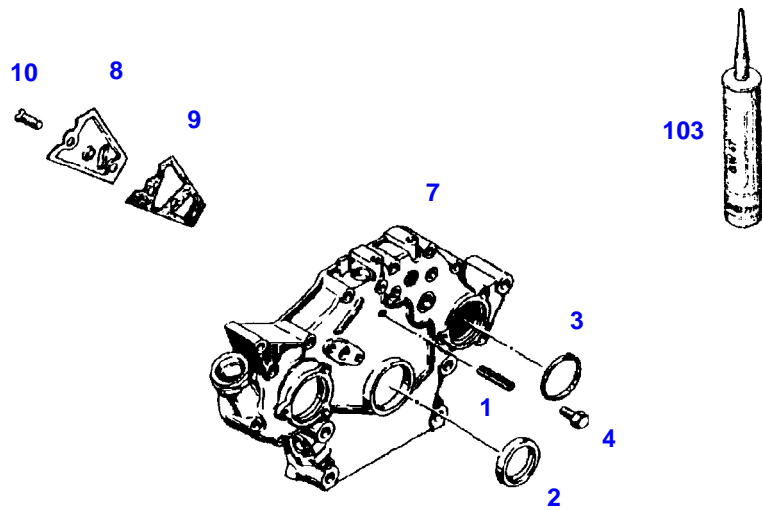
040099

Item	Part Number	Qty	Description Comments	Technical Specification
<b>BLANKING PARTS</b>				
1	72315440	1	PLUG SCREW	DIN 908 M18 X 1,5-ST
2	72427167	1	SCREW	DIN 908 M12 X 1,5-ST-A3
3	72315090	1	SEALING WASHER	DIN 7603 A12X15,5-CU
4	72315534	2	HEXAGONAL HEAD BOLT	DIN 931 M8 X 70-8.8
5	72311788	1	DISC	DIN 125-8,4-ST.A3L
6	72315100	1	SEALING WASHER	DIN 7603 A18X24-CU



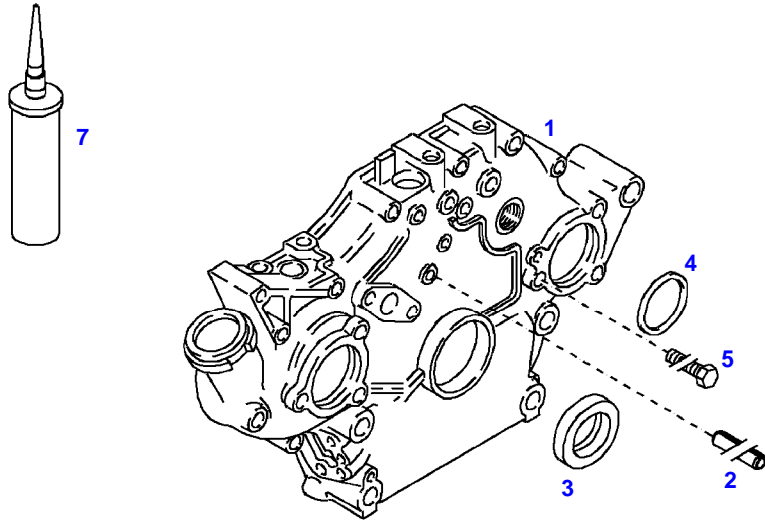
FENDT 208P NA (221/00101-99999)  
40155

---



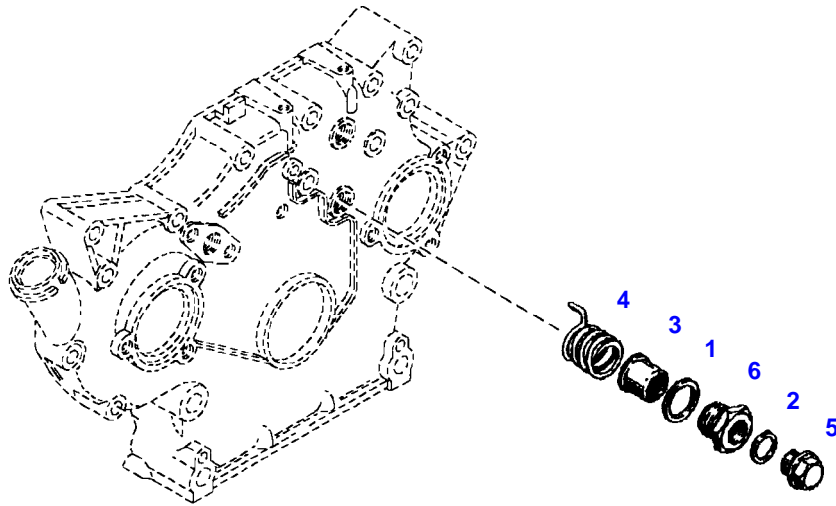
040155

Item	Part Number	Qty	Description Comments	Technical Specification
			<-- 221/0101 --> 221/0200 <-- 221/1001 --> 221/2010	
1	72375153	1	TENSIONING PIN	ISO8752-6X45-A-ST-ZNPHR10F-KOE
2	72317651	1	SHAFT SEAL	
3	72323566	1	PERMANENT REINFORCEMENT	
4	72374417	1	HEXAGONAL HEAD BOLT	DIN 933 M8X8-8.8
7	72431553	1	CRANKCASE END COVER	
8	72416037	1	COVER PANEL	
9	72416038	1	SEAL	
10	72418423	3	THREAD-CUTTING TAPPING SCREW	DIN 7513-FE M6X16-ST
103	72311273	1	SEALING COMPOUND	TEROST-63S



035122

Item	Part Number	Qty	Description Comments	Technical Specification
			<-- 221/2011	
1	72323843	1	COVER	
2	72375153	1	TENSIONING PIN	ISO8752-6X45-A-ST-ZNPHR10F-KOE
3	72317651	1	SHAFT SEAL	
4	72323566	1	PERMANENT REINFORCEMENT	
5	72374417	1	HEXAGONAL HEAD BOLT	DIN 933 M8X8-8.8
7	72311273	1	SEALING COMPOUND	TEROST-63S

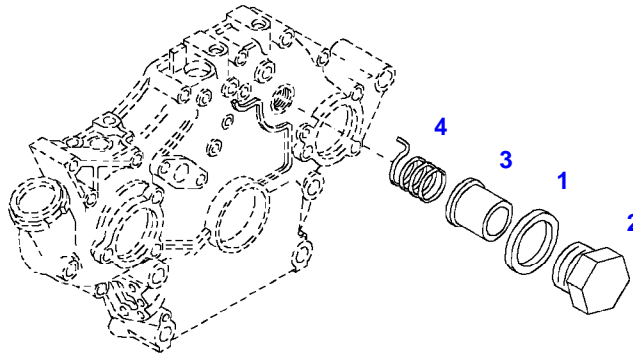


040107

Item	Part Number	Qty	Description Comments	Technical Specification
			<b>BLANKING PARTS</b> <b>ENGINE NUMBER</b> --> 8674078	
1	72376036	1	SEALING WASHER	DIN7603 A24X30-ALU
2	72315099	1	SEALING WASHER	DIN 7603 A18X22-CU
3	72323827	1	START-UP CAP	
4	72324159	1	COMPRESSION SPRING	
5	72315801	1	SCREW	DIN 7604-AM18 X 1,5-ST A3L
6	72324020	1	SCREW	

FENDT 208P NA (221/00101-99999)  
40416

---



040416

Fendt

FENDT 208P NA (221/00101-99999)

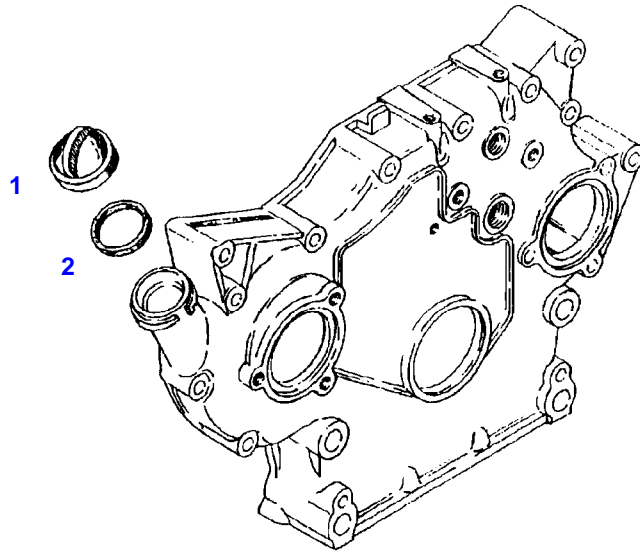
F221105

FRONT COVER

Page01-0014

Item	Part Number	Qty	Description Comments	Technical Specification
			<b>BLANKING PARTS</b> <b>ENGINE NUMBER</b> <b>&lt;-- 8674079</b>	
1	72376036	1	SEALING WASHER	DIN7603 A24X30-ALU
2	72323829	1	SCREW	
3	72323827	1	START-UP CAP	
4	72324159	1	COMPRESSION SPRING	





040104

---

Fendt

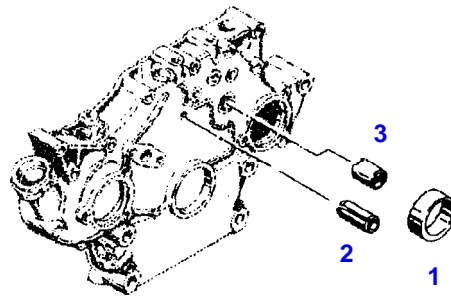
FENDT 208P NA (221/00101-99999)

F221105

FRONT COVER

Page01-0015

Item	Part Number	Qty	Description Comments
			LOCKING
1	72323709	1	COVER ><2
2	72323708	1	SEALING WASHER



040105

Item	Part Number	Qty	Description Comments	Technical Specification
			CLAMPING PARTS ENGINE NUMBER --> 8701893	
1	72323976	1	RING	
2	72313818	1	TENSIONING PIN	ISO8752-6X20-A-ST-ZNPHR10F-KOE
3	72324243	1	DRIVER	

Thank you so much for reading.  
Please click the “Buy Now!”  
button below to download the  
complete manual.



After you pay.

You can download the most  
perfect and complete manual in  
the world immediately.

Our support email:

[ebooklibonline@outlook.com](mailto:ebooklibonline@outlook.com)