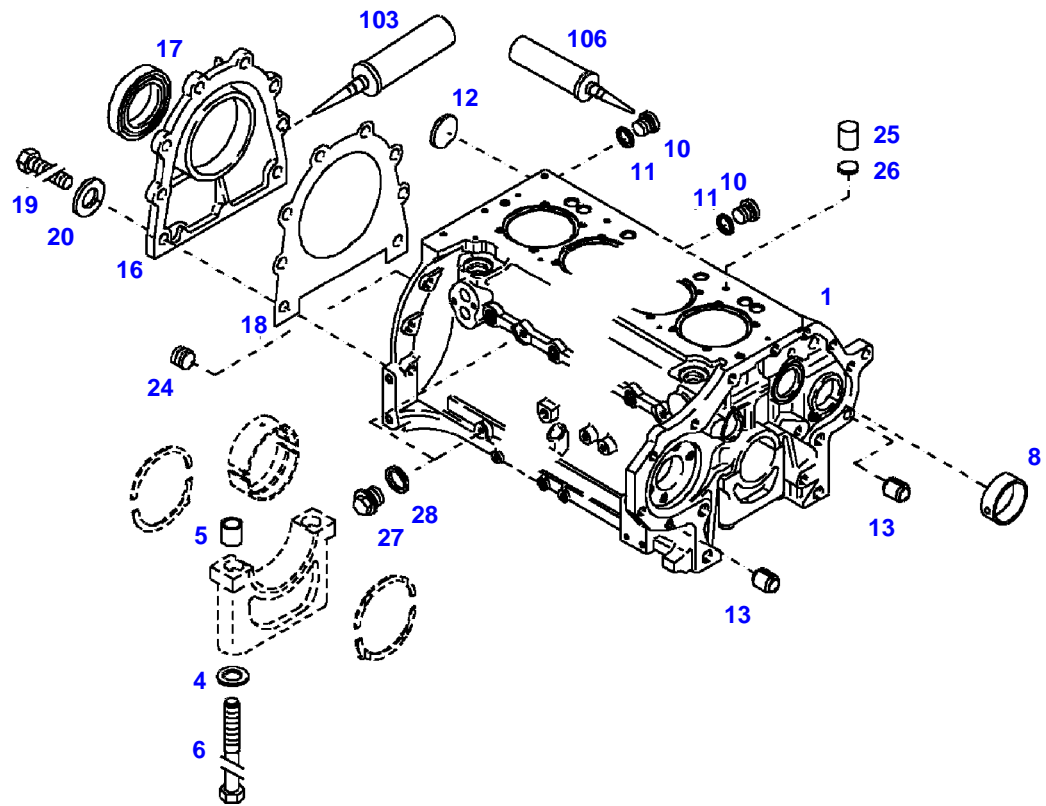


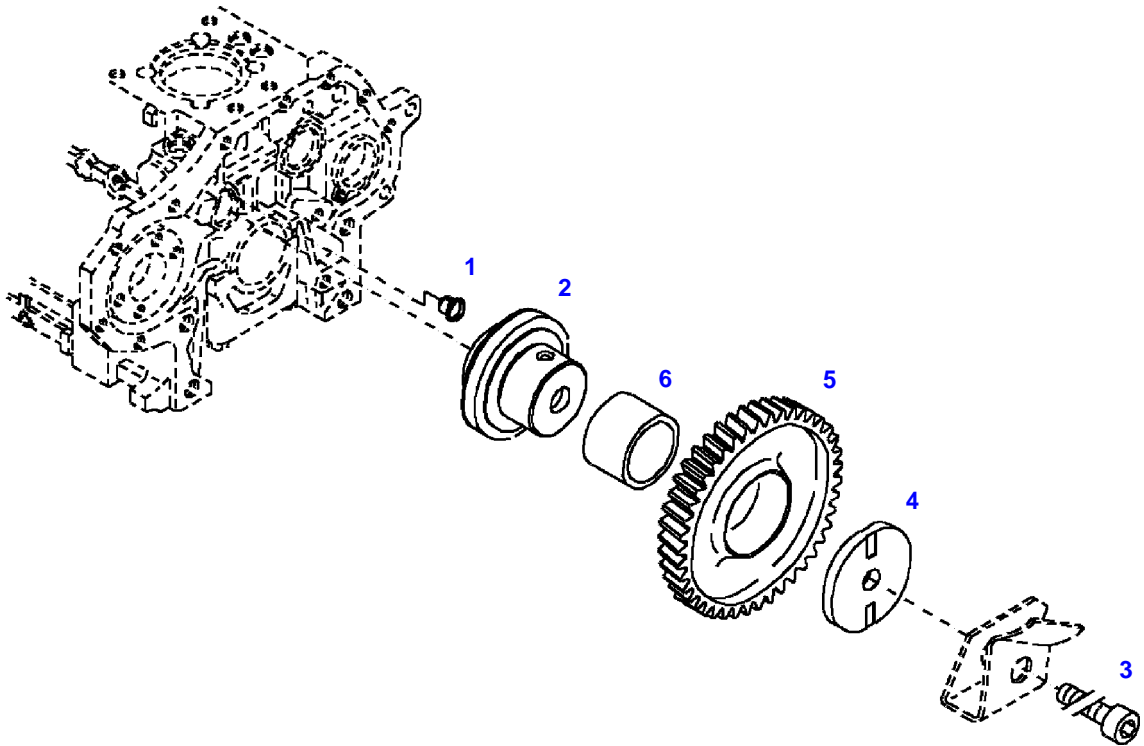
| Page Number | Page Title | Page Reference |
|--------------------|-------------------------------------|-----------------------|
| 01-000-TOC | ENGINE, FUEL AND EXHAUST SYSTEM | 01-000-TOC |
| 02-000-TOC | AXLES | 02-000-TOC |
| 03-000-TOC | STEERING SYSTEM | 03-000-TOC |
| 04-000-TOC | DRIVE TRAIN SYSTEM | 04-000-TOC |
| 05-000-TOC | COMPRESSED AIR SYSTEM | 05-000-TOC |
| 06-000-TOC | HYDRAULIC SYSTEM | 06-000-TOC |
| 07-000-TOC | ELECTRICAL SYSTEM | 07-000-TOC |
| 08-000-TOC | CAB | 08-000-TOC |
| 09-000-TOC | AIR CONDITIONING AND HEATING SYSTEM | 09-000-TOC |
| 10-000-TOC | CHASSIS | 10-000-TOC |
| 11-000-TOC | WHEELS | 11-000-TOC |
| 12-000-TOC | IMPLEMENT LIFT SYSTEM FRONT | 12-000-TOC |
| 13-000-TOC | IMPLEMENT LIFT SYSTEM REAR | 13-000-TOC |
| 14-000-TOC | FRONT/REAR LOADERS | 14-000-TOC |
| 15-000-TOC | ACCESSORIES | 15-000-TOC |

FENDT 209P NA (222/00101-99999)
33510



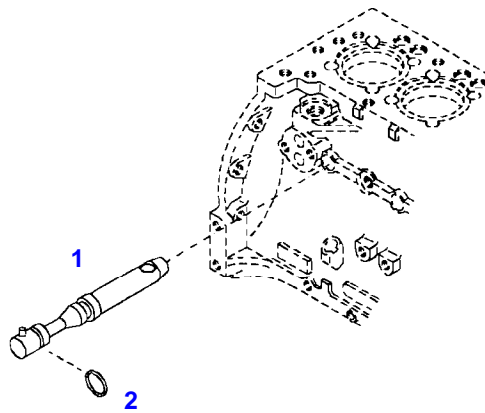
033510

| Item | Part Number | Qty | Description Comments | Technical Specification |
|------|-------------|-----|---|---|
| | 72427692 | 1 | DIESEL ENGINE ENGINE NEW <-- 222/0101 --> 222/0200 <-- 222/1001 --> 222/2018 <-- Z214.202.010.010 | F329 |
| | 72436666 | 1 | DIESEL ENGINE ENGINE NEW <-- 222/2019 <-- Z214.202.010.020 | |
| 1 | 72431548 | 1 | CRANKCASE ><4-6,8,10-13,24,27,28 | |
| 4 | 72323682 | 10 | DISC | |
| 5 | 72344342 | 10 | ADAPTER BUSH | |
| 6 | 72344343 | 10 | HEXAGONAL HEAD BOLT | |
| 8 | 72344344 | 1 | BUSH | |
| 10 | 72427167 | 5 | SCREW | DIN 908 M12 X 1,5-ST-A3 |
| 11 | 72315090 | 5 | SEALING WASHER | DIN 7603 A12X15,5-CU |
| 12 | 72323690 | 1 | LOCKING DISC | |
| 13 | 72323573 | 2 | TENSIONER BUSHING | |
| 16 | 72324099 | 1 | COVER | |
| 17 | 72425119 | 1 | SHAFT SEAL | |
| 18 | 72324291 | 1 | SEAL | |
| 19 | 72315650 | 8 | HEXAGONAL HEAD BOLT | DIN 933 M8 X 20-8.8A3L |
| 20 | 72311788 | 8 | DISC | |
| 24 | 72431459 | 2 | SCREW | DIN 125-8,4-ST.A3L |
| 25 | 72323592 | 3 | PLUG | |
| 26 | 72323572 | 3 | DISC | |
| 27 | 72374942 | 1 | PLUG | |
| 28 | 72315088 | 1 | SEALING WASHER | DIN 7604 CM10X1-ST DIN 7603 A10X13,5-CU |
| 103 | 72311273 | 1 | SEALING COMPOUND | TEROST-63S |
| 106 | 72431547 | 1 | SEALING COMPOUND | |



033511

| Item | Part Number | Qty | Description Comments |
|------|-------------|-----|---------------------------|
| | | | INTERM. GEAR WHEEL |
| 1 | 72344346 | 1 | TENSIONER BUSHING |
| 2 | 72344347 | 1 | PIVOT |
| 3 | 72324090 | 1 | SOCKET HEAD BOLT |
| 4 | 72324457 | 1 | DISC |
| 5 | 72420823 | 1 | INTERMEDIATE GEAR ><6 |
| 6 | 72324455 | 1 | BUSH |



040154

Fendt

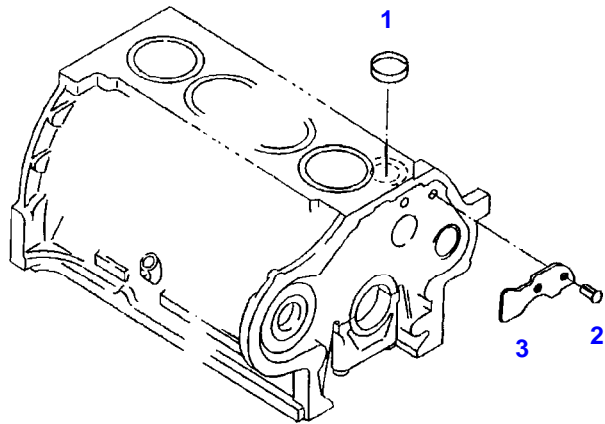
FENDT 209P NA (222/00101-99999)

F222105

CRANKCASE

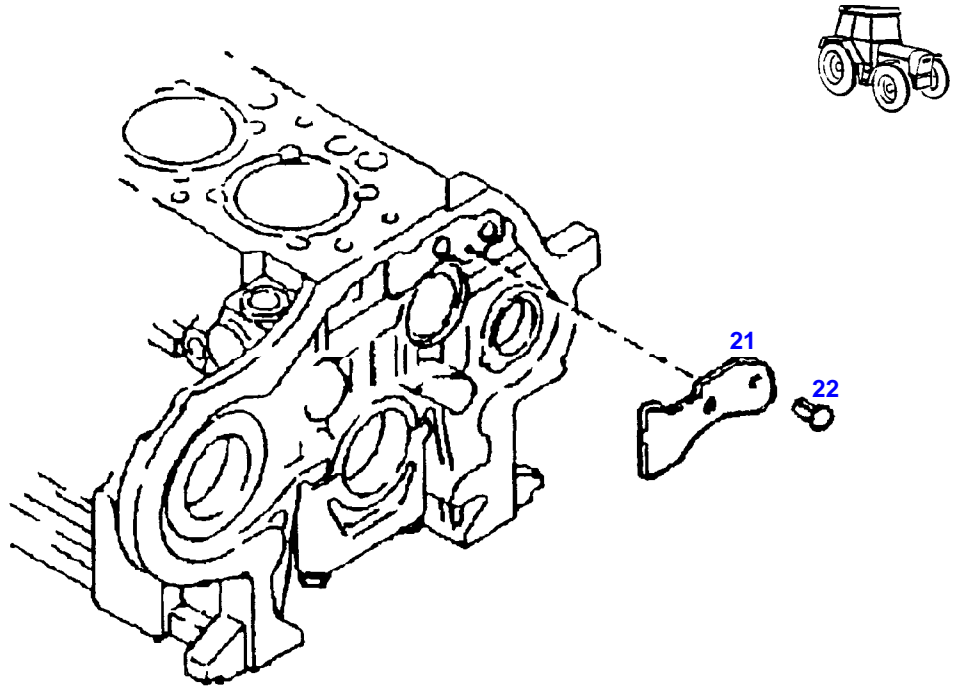
Page01-0003

| Item | Part Number | Qty | Description Comments |
|------|-------------|-----|-------------------------|
| | | | NOZZLE |
| 1 | 72324217 | 4 | SPRAY NOZZLE >< 2 |
| 2 | 72323628 | 4 | SEAL |



040097

| Item | Part Number | Qty | Description Comments | Technical Specification |
|------|-------------|-----|--|-------------------------|
| | | | LOCKING PLUG <-- 222/0101 --> 222/0200 <-- 222/1001 --> 222/2018 | |
| 1 | 72323653 | 1 | CORE HOLE PLUG | |
| 2 | 72372707 | 2 | SLOTTED PIN | DIN 1476-6X10-ST |
| 3 | 72344345 | 1 | BAFFLE | |



12459

Fendt

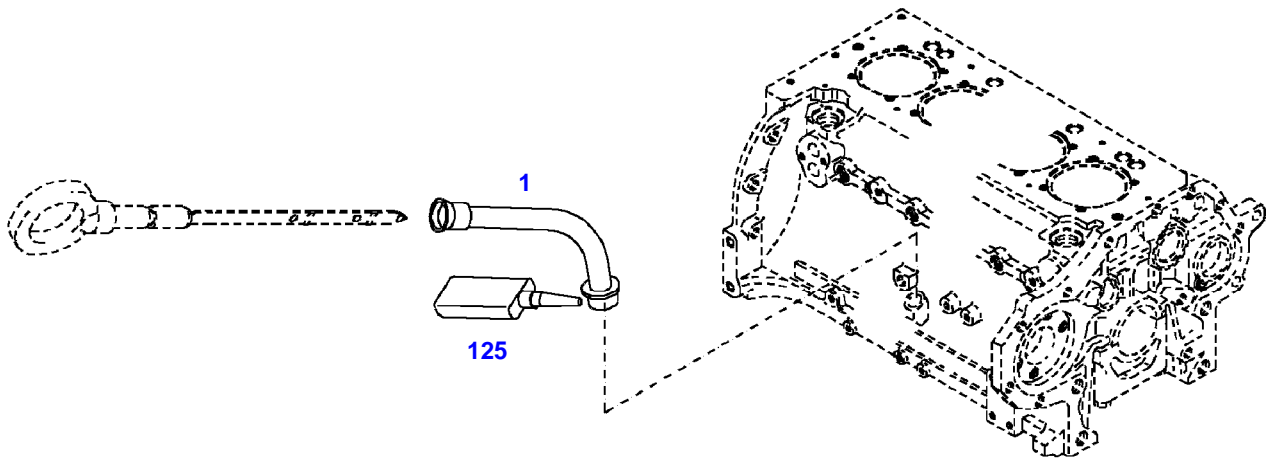
FENDT 209P NA (222/00101-99999)

F222105

CRANKCASE

Page01-0005

| Item | Part Number | Qty | Description Comments | Technical Specification |
|------|-------------|-----|---------------------------------------|-------------------------|
| | | | BLANKING PARTS <-- 222/2019 | |
| 21 | 72344345 | 1 | BAFFLE | |
| 22 | 72372707 | 2 | SLOTTED PIN | DIN 1476-6X10-ST |



033512

Fendt

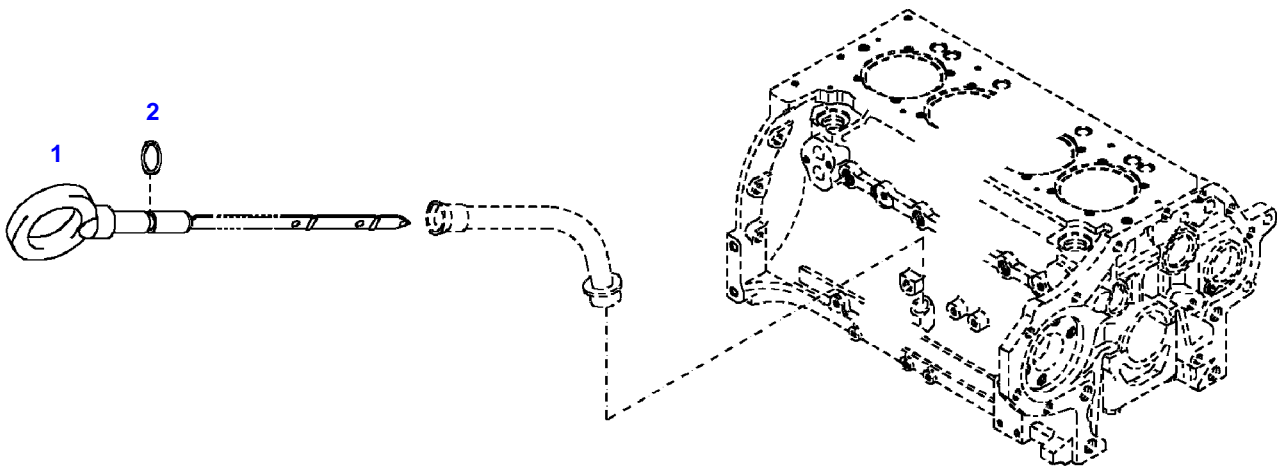
FENDT 209P NA (222/00101-99999)

F222105

OIL DIPSTICK

Page01-0006

| Item | Part Number | Qty | Description Comments |
|------|-------------|-----|-------------------------|
| | | | GUIDE TUBE |
| 1 | 72428343 | 1 | GUIDE TUBE |
| 125 | 72415445 | 1 | SAFE.LOCK AGENT |



033528

Fendt

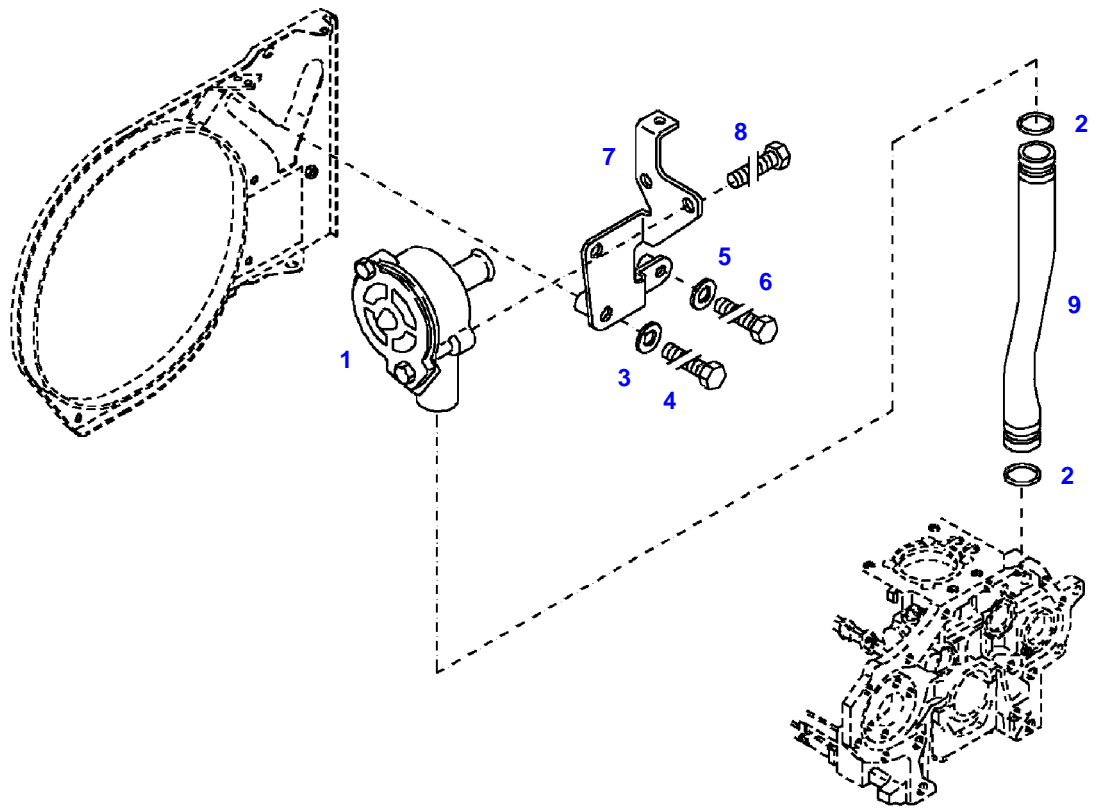
FENDT 209P NA (222/00101-99999)

F222105

OIL DIPSTICK

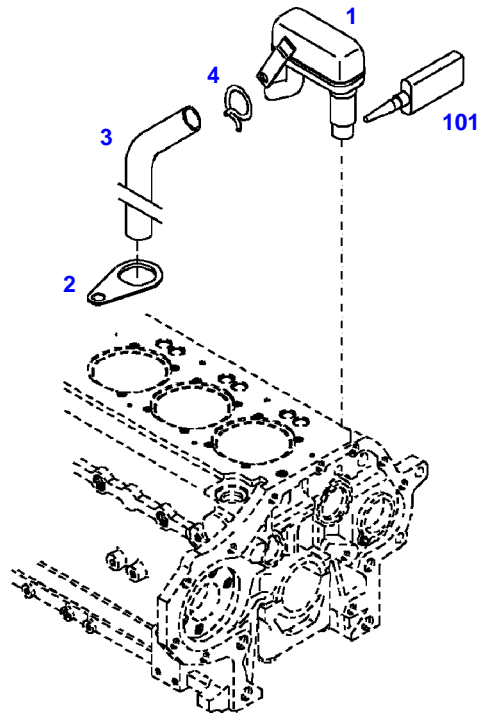
Page01-0007

| Item | Part Number | Qty | Description Comments |
|------|-------------|-----|-------------------------|
| 1 | 72451107 | 1 | DIPSTICK ><2 |
| 2 | 72323559 | 1 | PERMANENT REINFORCEMENT |



033513

| Item | Part Number | Qty | Description Comments | Technical Specification |
|------|-------------|-----|--|-------------------------|
| | | | <-- 222/0101 --> 222/0200 <-- 222/1001 --> 222/2018 | |
| 1 | 72615403 | 1 | BLEEDER VALVE | |
| 2 | 72416005 | 2 | SEAL 24X3MM | |
| 3 | 72611358 | 1 | DISC | |
| 4 | 72427710 | 1 | HEXAGONAL HEAD BOLT M8X35 | |
| 5 | 72416026 | 1 | DISC | |
| 6 | 72427711 | 1 | HEXAGONAL HEAD BOLT M6X30 | |
| 7 | 72431551 | 1 | RETAINER | |
| 8 | 72315650 | 2 | HEXAGONAL HEAD BOLT | DIN 933 M8 X 20-8.8A3L |
| 9 | 72431552 | 1 | BREATHER PIPE | |



035121

Fendt

FENDT 209P NA (222/00101-99999)

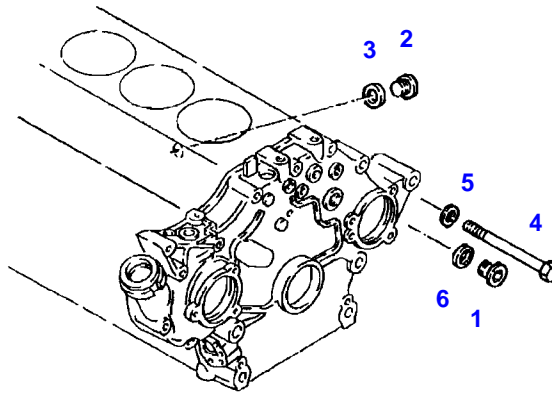
F222105

CRANKCASE BREATHER

Page01-0009

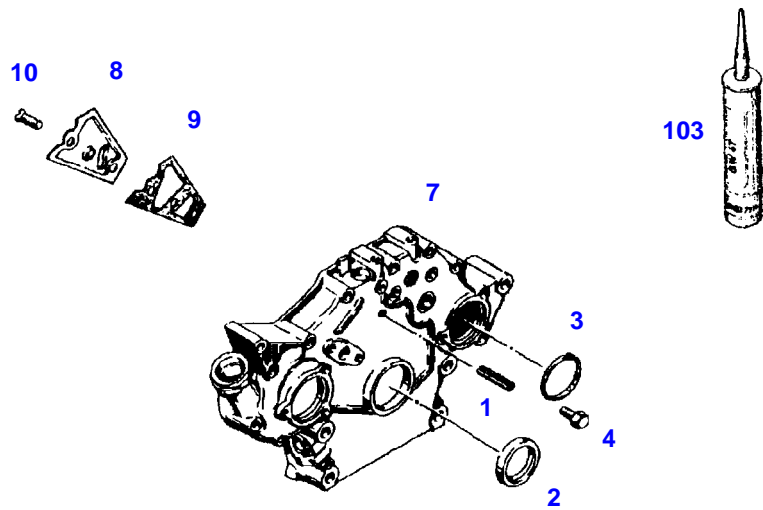
| Item | Part Number | Qty | Description Comments |
|------|-------------|-----|-------------------------|
| | | | <-- 222/2019 |
| 1 | 72451208 | 1 | BLEEDER VALVE |
| 2 | 72426064 | 1 | RETAINING SHEET METAL |
| 3 | 72451209 | 1 | HOSE |
| 4 | 72431275 | 1 | CLAMP |
| 101 | 72431276 | 1 | SEALING COMPOUND |

FENDT 209P NA (222/00101-99999)
40099



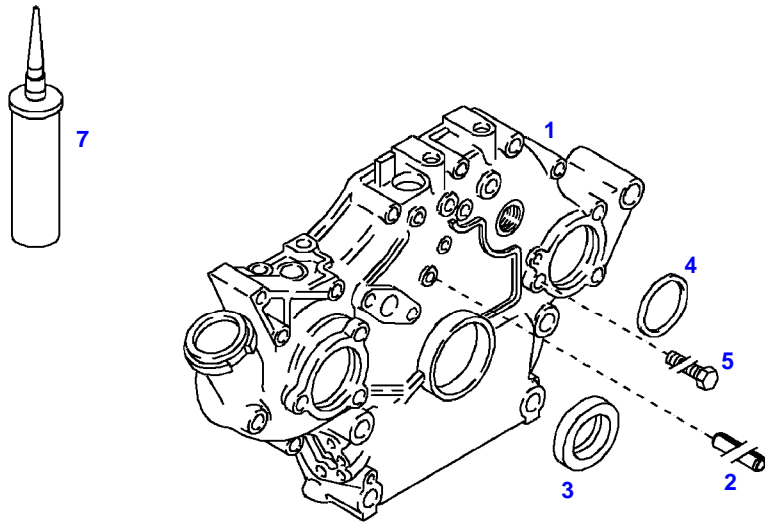
040099

| Item | Part Number | Qty | Description Comments | Technical Specification |
|-----------------------|-------------|-----|-------------------------|-------------------------|
| BLANKING PARTS | | | | |
| 1 | 72315440 | 1 | PLUG SCREW | DIN 908 M18 X 1,5-ST |
| 2 | 72427167 | 1 | SCREW | DIN 908 M12 X 1,5-ST-A3 |
| 3 | 72315090 | 1 | SEALING WASHER | DIN 7603 A12X15,5-CU |
| 4 | 72315534 | 2 | HEXAGONAL HEAD BOLT | DIN 931 M8 X 70-8.8 |
| 5 | 72311788 | 1 | DISC | DIN 125-8,4-ST.A3L |
| 6 | 72315100 | 1 | SEALING WASHER | DIN 7603 A18X24-CU |



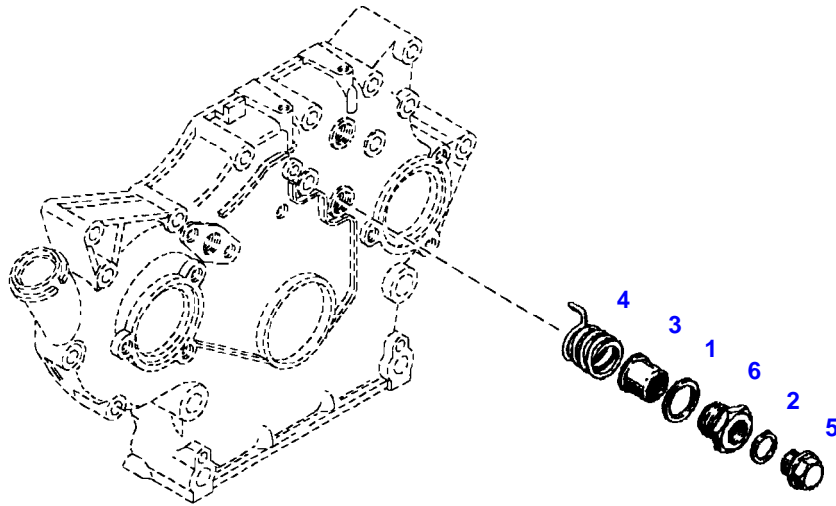
040155

| Item | Part Number | Qty | Description Comments | Technical Specification |
|------|-------------|-----|--|--------------------------------|
| | | | <-- 222/0101 --> 222/0200 <-- 222/1001 --> 222/2018 | |
| 1 | 72375153 | 1 | TENSIONING PIN | ISO8752-6X45-A-ST-ZNPHR10F-KOE |
| 2 | 72317651 | 1 | SHAFT SEAL | |
| 3 | 72323566 | 1 | PERMANENT REINFORCEMENT | |
| 4 | 72374417 | 1 | HEXAGONAL HEAD BOLT | DIN 933 M8X8-8.8 |
| 7 | 72431553 | 1 | CRANKCASE END COVER | |
| 8 | 72416037 | 1 | COVER PANEL | |
| 9 | 72416038 | 1 | SEAL | |
| 10 | 72418423 | 3 | THREAD-CUTTING TAPPING SCREW | DIN 7513-FE M6X16-ST |
| 103 | 72311273 | 1 | SEALING COMPOUND | TEROST-63S |



035122

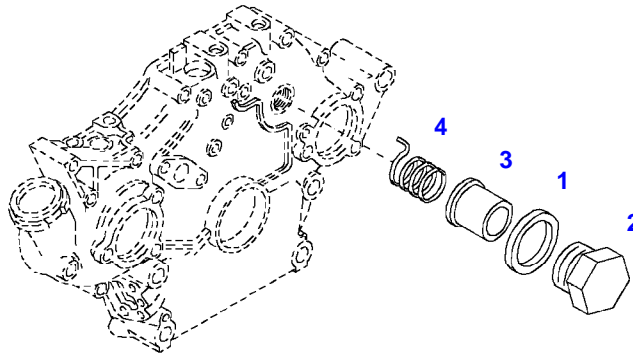
| Item | Part Number | Qty | Description Comments | Technical Specification |
|------|-------------|-----|-------------------------|--------------------------------|
| | | | <-- 222/2019 | |
| 1 | 72323843 | 1 | COVER | |
| 2 | 72375153 | 1 | TENSIONING PIN | ISO8752-6X45-A-ST-ZNPHR10F-KOE |
| 3 | 72317651 | 1 | SHAFT SEAL | |
| 4 | 72323566 | 1 | PERMANENT REINFORCEMENT | |
| 5 | 72374417 | 1 | HEXAGONAL HEAD BOLT | DIN 933 M8X8-8.8 |
| 7 | 72311273 | 1 | SEALING COMPOUND | TEROST-63S |



040107

| Item | Part Number | Qty | Description Comments | Technical Specification |
|------|-------------|-----|--|----------------------------|
| | | | BLANKING PARTS ENGINE NUMBER --> 8674078 | |
| 1 | 72376036 | 1 | SEALING WASHER | DIN7603 A24X30-ALU |
| 2 | 72315099 | 1 | SEALING WASHER | DIN 7603 A18X22-CU |
| 3 | 72323827 | 1 | START-UP CAP | |
| 4 | 72324159 | 1 | COMPRESSION SPRING | |
| 5 | 72315801 | 1 | SCREW | DIN 7604-AM18 X 1,5-ST A3L |
| 6 | 72324020 | 1 | SCREW | |

FENDT 209P NA (222/00101-99999)
40416



040416

Fendt

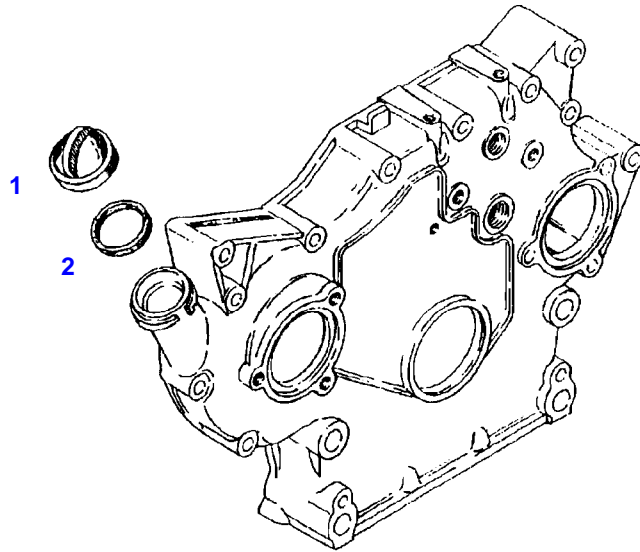
FENDT 209P NA (222/00101-99999)

F222105

FRONT COVER

Page01-0014

| Item | Part Number | Qty | Description Comments | Technical Specification |
|------|-------------|-----|--|-------------------------|
| | | | BLANKING PARTS ENGINE NUMBER <-- 8674079 | |
| 1 | 72376036 | 1 | SEALING WASHER | DIN7603 A24X30-ALU |
| 2 | 72323829 | 1 | SCREW | |
| 3 | 72323827 | 1 | START-UP CAP | |
| 4 | 72324159 | 1 | COMPRESSION SPRING | |



040104

Fendt

FENDT 209P NA (222/00101-99999)

F222105

FRONT COVER

Page01-0015

| Item | Part Number | Qty | Description Comments |
|------|-------------|-----|-------------------------|
| | | | LOCKING |
| 1 | 72323709 | 1 | COVER ><2 |
| 2 | 72323708 | 1 | SEALING WASHER |

Thank you so much for reading.
Please click the “Buy Now!”
button below to download the
complete manual.



After you pay.

You can download the most
perfect and complete manual in
the world immediately.

Our support email:

ebooklibonline@outlook.com