

Page Number	Page Title	Page Reference
01-000-TOC	ENGINE, FUEL AND EXHAUST SYSTEM	01-000-TOC
02-000-TOC	AXLES	02-000-TOC
03-000-TOC	STEERING SYSTEM	03-000-TOC
04-000-TOC	DRIVE TRAIN SYSTEM	04-000-TOC
05-000-TOC	HYDRAULIC SYSTEM	05-000-TOC
06-000-TOC	ELECTRICAL SYSTEM	06-000-TOC
07-000-TOC	CAB	07-000-TOC
08-000-TOC	CHASSIS	08-000-TOC
09-000-TOC	WHEELS	09-000-TOC
10-000-TOC	IMPLEMENT DRIVE SYSTEM	10-000-TOC
11-000-TOC	IMPLEMENT LIFT SYSTEM	11-000-TOC
12-000-TOC	FRONT/REAR LOADERS	12-000-TOC
13-000-TOC	ATTACHMENTS	13-000-TOC
14-000-TOC	ACCESSORIES	14-000-TOC

Page Number	Page Title	Page Reference
01-0001	SPEED CONTROL --> 231/15000	2010
01-0002	SPEED CONTROL <-- 231/15001	2020
01-0003	FUEL TANK	2040
01-0004	AIR FILTER	2060
01-0005	EXHAUST TO BOTTOM	2070
01-0006	EXHAUST UPRIGHT --> 231/15000	2080
01-0007	EXHAUST UPRIGHT <-- 231/15001	2085
01-0008	TRACTOMETER SYSTEM	2090
01-0009	COLD STARTING AID <-- 231/11397 --> 231/15000	2100
01-0010	COLD STARTING AID <-- 231/15001	2105
01-0011	CRANKCASE --> 231/16773	2110
01-0012	CRANKCASE <-- 231/16774	2115
01-0013	FRONT COVER --> 231/16773	2120
01-0014	FRONT COVER <-- 231/16774	2125
01-0015	HOUSING FLANGE --> 231/16773	2130
01-0016	HOUSING FLANGE <-- 231/16774	2135
01-0017	CYLINDER HEAD --> 231/16773	2140
01-0018	CYLINDER HEAD <-- 231/16774	2145
01-0019	CRANKSHAFT --> 231/16773	2150
01-0020	CRANKSHAFT <-- 231/16774	2155
01-0021	PISTON --> 231/16773	2160
01-0022	PISTON <-- 231/16774	2165
01-0023	CAMSHAFT --> 231/16773	2170
01-0024	CAMSHAFT <-- 231/16774	2175
01-0025	VALVE DRIVE	2180
01-0026	OIL SUMP/GEAR PUMP --> 231/16773	2190
01-0027	OIL SUMP/GEAR PUMP <-- 231/16774	2195
01-0028	OIL COOLER	2200
01-0029	OIL FILTER --> 231/16773	2210
01-0030	OIL FILTER <-- 231/16774	2215
01-0031	INJECTION PUMP --> 231/16773	2220
01-0032	INJECTION PUMP <-- 231/16774	2225
01-0033	FUEL PUMP	2230
01-0034	INJECTOR VALVE --> 231/16773	2240
01-0035	INJECTOR VALVE <-- 231/16774	2245
01-0036	FUEL LINES --> 231/16773	2250
01-0037	FUEL LINES <-- 231/16774	2255

Fendt

GT 231GT 231/00001-20000

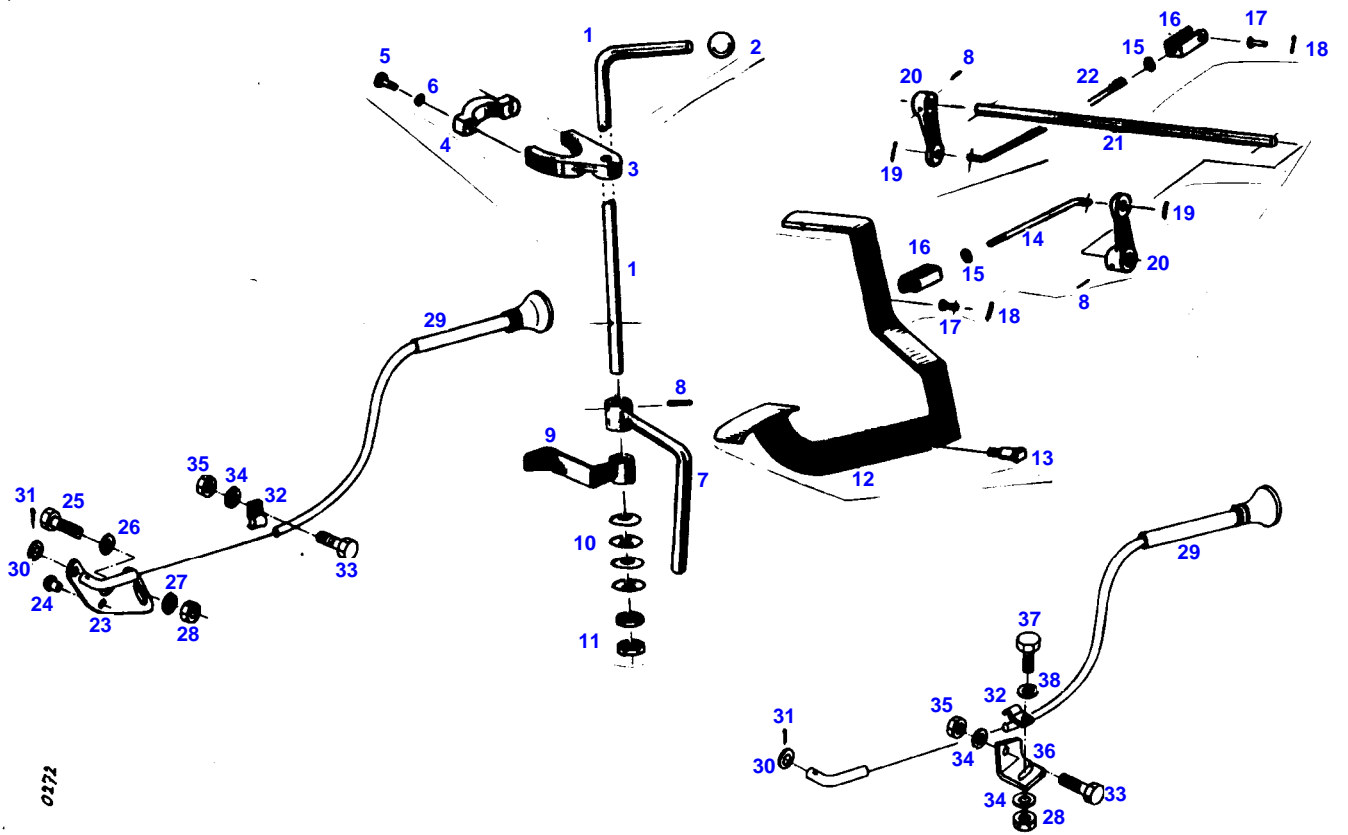
F231000

ENGINE, FUEL AND EXHAUST SYSTEM

Page01-000-TOC

Page Number	Page Title	Page Reference
01-0038	COOLING AIR BLOWER	2260
01-0039	FAN PANELLING	2270

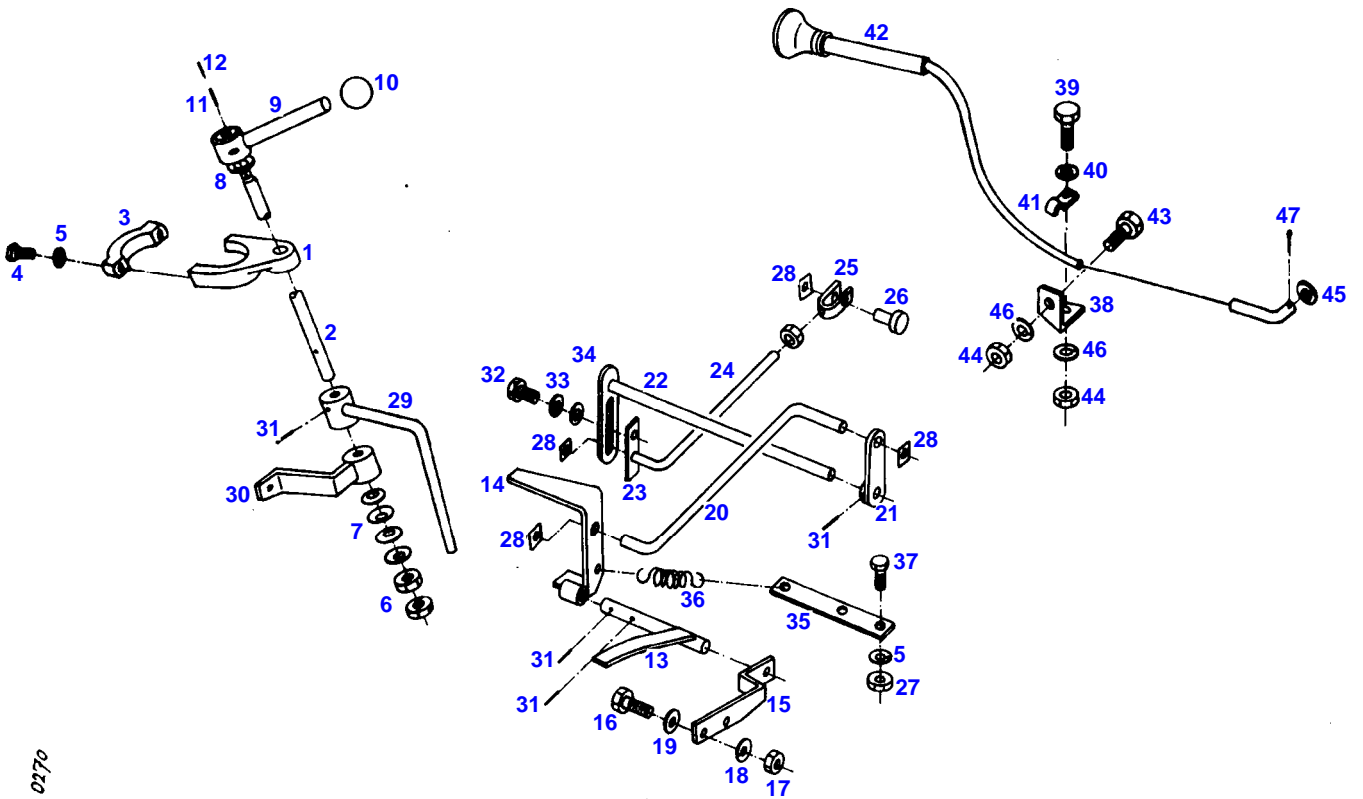
GT 231GT 231/00001-20000
SPEED CONTROL



0272

Item	Part Number	Qty	Description Comments	Technical Specification
			--> 231/15000	
1	72398979	1	HAND THROTTLE LEVER	
2	72310160	1	BALL KNOB	
3	72399220	1	BEARING CLAMPING PIECE	
4	72389652	1	CLAMP	
5	72315633	2	HEX HEAD BOLT	DIN 933 M6X25-8.8A3L
	72311787	2	DISC	DIN 125-6,4-ST.A3L
6	72315052	2	SPLIT WASHER	FWN 65208-6-A3L
7	72358783	1	DRIVING LEVER	
8	72313804	3	TENSIONING PIN	ISO8752-4X22-A-ST-ZNPHR10F-KOE
9	72358784	1	BEARING	
10	72379557	4	DISK SPRING	28X12,2X1,5
11	72313295	2	NUT	DIN 936 M12-17H A3L
12	72358914	1	ACCELERATOR PEDAL	
13	72386405	1	BEARING PIN	
14			NO LONGER AVAILABLE	
15	72313266	2	NUT	DIN 934 M6-8A3L
16			NO LONGER AVAILABLE	
17	72311179	2	DUO-CLIP	6 SXN10
18			NOT USED	
19	72313873	2	COTTER	DIN 94-2X12-ST.A3L
20	72389283	2	REVERSING LEVER	
21	72398977	1	SHAFT	
22			NO LONGER AVAILABLE	
23	72399856	1	STOP LEVER	
			--> 231/1435	
24	72372703	1	SLOTTED PIN	DIN1476 5X7-ST
			--> 231/1435	
25	72315626	1	HEX HEAD BOLT	DIN 933-M6X16-8.8-A3L
			--> 231/1435	
26	72311822	1	DISC	DIN9021-6,4-140HV-A3L
			--> 231/1435	
27	72315052	1	SPLIT WASHER	FWN 65208-6-A3L
			--> 231/1435	
28	72313266	1	NUT	DIN 934 M6-8A3L
			--> 231/1435	
29	72349079	1	BOWDEN CABLE	
30	72311787	1	DISC	DIN 125-6,4-ST.A3L
			<-- 231/1436	
31	72313873	1	COTTER	DIN 94-2X12-ST.A3L
			<-- 231/1436	
32	72388768	1	CLAMP	
33	72315619	1	HEX HEAD BOLT	DIN 933 M5X16-8.8A3L
			<-- 231/1436	
34	72315051	2	SPLIT WASHER	FWN 65208-5-A3L
			<-- 231/1436	
35	72313264	2	NUT	DIN 934 M5-8A3L
			<-- 231/1436	
36	72399214	1	ANGLE	
			<-- 231/1436	
37	72315621	1	HEX HEAD BOLT	DIN 933 M5X12-8.8A3L
			<-- 231/1436	
38	72311818	2	DISC	DIN9021-5,3-140HV-A3L
			<-- 231/1436	

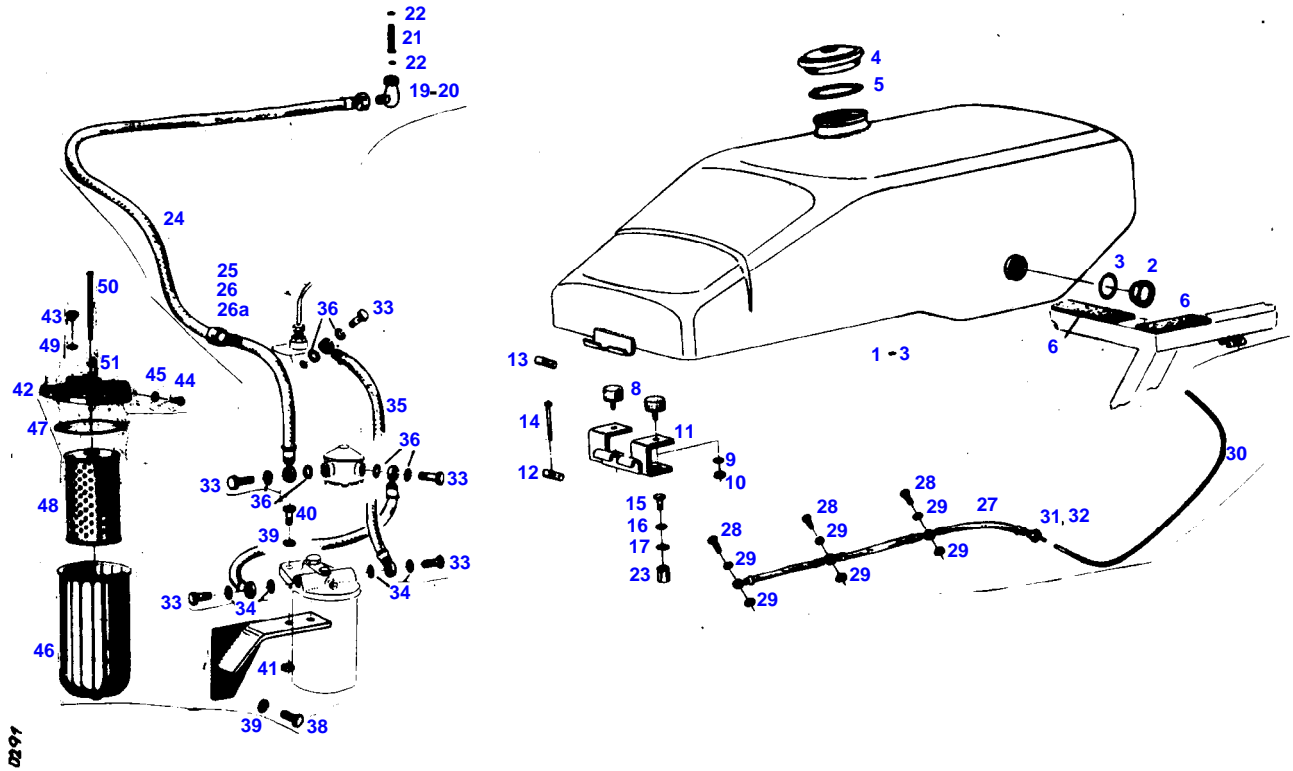
GT 231GT 231/00001-20000
SPEED CONTROL



0270

Item	Part Number	Qty	Description Comments	Technical Specification
			<-- 231/15001	
1	72399220	1	BEARING CLAMPING PIECE	
2	72399221	1	SHAFT	
3	72389652	1	CLAMP	
4	72315633	2	HEX HEAD BOLT	DIN 933 M6X25-8.8A3L
5	72315052	2	SPLIT WASHER	FWN 65208-6-A3L
6	72313295	2	NUT	DIN 936 M12-17H A3L
7	72379557	4	DISK SPRING	28X12,2X1,5
8	72422379	1	FRICITION WASHER	
9	72358926	1	HAND THROTTLE LEVER	
10	72393661	1	HANDLE GRIP	
11	72313811	1	TENSIONING PIN	ISO8752-5X30-A-ST-OB3 FWN10256
12	72313798	1	TENSIONING PIN	ISO8752-3X30-A-ST-OB3 FWN10256
13			NO LONGER AVAILABLE	
14			NO LONGER AVAILABLE	
15	72399224	1	RETAINER	
16	72315653	1	HEX HEAD BOLT	DIN 933 M8X25-8.8A3L
17	72313268	1	NUT	DIN 934 M8-8A3L
18	72315053	1	SPLIT WASHER	FWN 65208-8-A3L
19	72311788	1	DISC	DIN 125-8,4-ST.A3L
20	72399222	1	DRAFT ROD	
21	72389283	1	REVERSING LEVER	
22	72358925	1	SHAFT	
23	72399925	1	ADJUSTING PLATE	
24	72399223	1	ROD	
25	72399867	1	CLEVIS	
26	72372462	1	BOLT	DIN 1436 6H11X22X18-UST36-2A3L
27	72313266	4	NUT	DIN 934 M6-8A3L
28	72311179	2	DUO-CLIP	6 SXN10
29	72358927	1	LEVER	
30	72358784	1	BEARING	
31	72313804	4	TENSIONING PIN	ISO8752-4X22-A-ST-ZNPHR10F-KOE
32	72315629	1	HEX HEAD BOLT	DIN 933 M6X12-8.8A3L
33	72317120	1	SPRING WASHER	DIN 137 B6-MECH.VZK
34	72311787	1	DISC	DIN 125-6,4-ST.A3L
35	72399225	1	RETAINER	
36	72389306	1	PULLING SPRING	
37	72315626	1	HEX HEAD BOLT	DIN 933-M6X16-8.8-A3L
38	72399214	1	ANGLE	
39	72315621	1	HEX HEAD BOLT	DIN 933 M5X12-8.8A3L
40	72311818	2	DISC	DIN9021-5,3-140HV-A3L
41	72388768	1	CLAMP	
42	72349079	1	BOWDEN CABLE	
43	72315619	1	HEX HEAD BOLT	DIN 933 M5X16-8.8A3L
44	72313264	2	NUT	DIN 934 M5-8A3L
45	72311787	1	DISC	DIN 125-6,4-ST.A3L
46	72315051	2	SPLIT WASHER	FWN 65208-5-A3L
47	72313873	1	COTTER	DIN 94-2X12-ST.A3L

GT 231GT 231/00001-20000
FUEL TANK

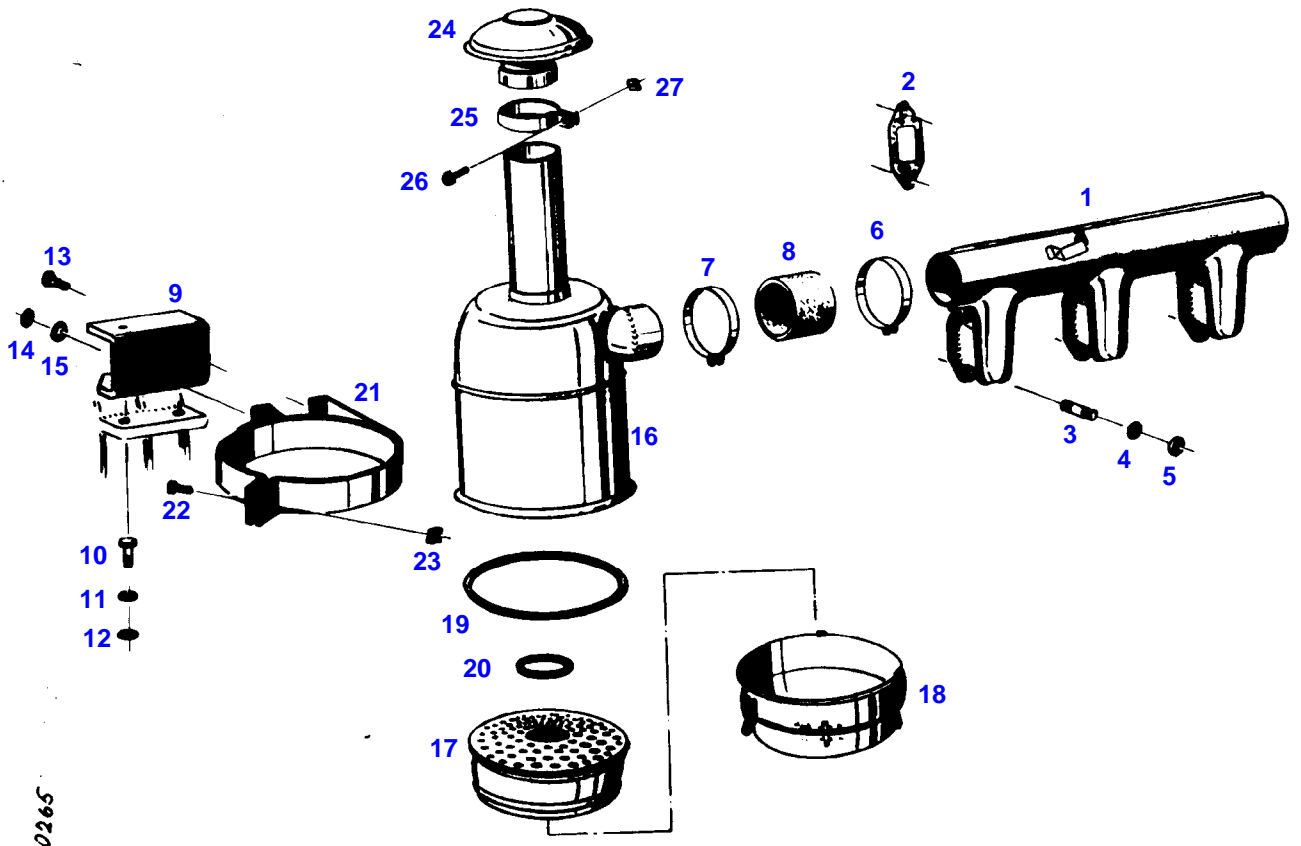


Item	Part Number	Qty	Description Comments	Technical Specification
1	72349054	1	FUEL TANK ><2-3 --> 231/15000 <> <>	
	72316302	1	NOZZLE	LL10 DIN7641/12.69 A3L
	72315094	1	SEALING WASHER	DIN 7603 A14X18-CU
	72380159	1	FUEL SHUT-OFF VALVE	
	72380143	1	FUEL CAP	M.BELUEF
	72315093	1	SEALING WASHER	DIN 7603 A12X18-CU
2	72324994	1	OIL LEVEL GLASS ><3	
3	72376038	1	SEALING WASHER	DIN 7603 A26X34-VF
4	72380143	1	FUEL CAP <>	M.BELUEF
	72320173	1	NOZZLE	
	72394572	1	PLASTIC CAP	
	72348297	1	FUEL CAP LOCKABLE	
5	72330725	1	SEAL 2,5 MM	
	72330726	1	SEAL 0,5 MM	
6	72398980	4	BAND	30X5X70 HAARFILZ
8	72310624	2	BUFFER	
9	72315053	2	SPLIT WASHER	FWN 65208-8-A3L
10	72313268	2	NUT	DIN 934 M8-8A3L
11	72358920	1	FUEL TANK HOLDER	
	72315642	1	HEX HEAD BOLT	DIN 933 M8X16-8.8A3L
	72315053	1	SPLIT WASHER	FWN 65208-8-A3L
12	72386724	1	TANK BAND BOLT	
13	72386723	1	TANK BAND BOLT	
14	72373617	1	PAN HEAD SCREW	DIN 84 AM6X60-4.8A3L
15	72315705	2	HEX HEAD BOLT	DIN 933 M12X20-8.8A3L
16	72315055	2	SPLIT WASHER	FWN 65208-12-A3L
17	72311791	2	DISC	DIN 125-13-ST.A3L
19	72358787	1	FUEL SHUT-OFF VALVE --> 231/15000 ><20	
	72380159	1	FUEL SHUT-OFF VALVE <-- 231/15001	
	72316302	1	NOZZLE <-- 231/15001 NOT ILLUSTRATED	LL10 DIN7641/12.69 A3L
	72315093	1	SEALING WASHER <-- 231/15001 NOT ILLUSTRATED	DIN 7603 A12X18-CU
	72315094	1	SEALING WASHER <-- 231/15001 NOT ILLUSTRATED	DIN 7603 A14X18-CU
20			NOT AVAILABLE IN SINGLE PARTS	
21	72333995	1	STRAINER	
22	72315088	1	SEALING WASHER --> 231/15000	DIN 7603 A10X13,5-CU
	72315087	1	SEALING WASHER	DIN 7603 A8X14-CU
23	72326895	2	NUT	
24	72353206	1	FUEL LINE	
25	72311254	1	PIPE CLAMP	
26	72315665	1	HEX HEAD BOLT	DIN 933 M8X45-8.8A3L
	72317121	1	SPRING WASHER	DIN 137 B8-MECH.VZK
27	72326850	1	LEAKAGE OIL LINE	
	72373475	1	HOSE CLIP NOT ILLUSTRATED	
28	72315809	3	BANJO BOLT	DIN 7643-4-5-A3L
29	72376020	6	SEALING WASHER	DIN 7603-A8X12-CU

Item	Part Number	Qty	Description Comments	Technical Specification
30	72436280	1	HOSE 1X 450MM CUT TO LENGTH	L=1350 FWN65912-3X1,5
	72373475	2	HOSE CLIP NOT ILLUSTRATED	
31	72402578	1	SPHERICAL LINER	
32	72372999	1	CONNECTING NUT	DIN 7606 2/3M10X1-6S
33	72315808	5	BANJO BOLT	DIN 7643-10-3-A3L
34	72315094	4	SEALING WASHER	DIN 7603 A14X18-CU
35	72365147	2	FUEL LINE	
36	72315095	6	SEALING WASHER	DIN 7603 A14X20-CU
37			NO LONGER AVAILABLE	
38	72315678	2	HEX HEAD BOLT	DIN 933 M10X20-8.8
39	72315054	4	SPLIT WASHER	FWN 65208-10-A3L
40	72315685	2	HEX HEAD BOLT	DIN 933 M10X30-8.8A3L
41	72313272	2	NUT	DIN 934 M10-8A3L
42	72320179	1	FUEL FILTER KNECHT STANDARD AT FUEL FILTER WITH FILTER ELEMENT ><42-51 <-- F181.200.060.010	
			NO LONGER AVAILABLE BOSCH STANDARD AT FUEL FILTER WITH FILTER ELEMENT ><42-51	
	72320168	1	FILTER LID KNECHT STANDARD AT FUEL FILTER WITH FILTER ELEMENT <-- F181.200.060.010	
			NO LONGER AVAILABLE BOSCH STANDARD AT FUEL FILTER WITH FILTER ELEMENT	
	72331299	1	FILTER SUPERSESSION AT FUEL FILTER WITH FILTER CARTRIDGE ><43-45,47-49	
43	72315799	1	PLUG	DIN 7604 AM14X1,5-A3L
44	72323290	1	BLEED SCREW	
45	72315084	1	SEALING WASHER	DIN 7603 A6X10-CU
46	72320167	1	FILTER HOUSING STANDARD AT FUEL FILTER WITH FILTER ELEMENT	
47	72320148	1	RUBBER SEAL RING STANDARD AT FUEL FILTER WITH FILTER ELEMENT	
	72314995	1	RUBBER RING SUPERSESSION AT FUEL FILTER WITH FILTER CARTRIDGE	

Item	Part Number	Qty	Description Comments	Technical Specification
48	72320177	1	FILTER BOX KNECHT STANDARD AT FUEL FILTER WITH FILTER ELEMENT	
	72320166	1	FILTER BOX BOSCH STANDARD AT FUEL FILTER WITH FILTER ELEMENT	
	72416928	1	FILTER BOX SUPERSESSION AT FUEL FILTER WITH FILTER CARTRIDGE ><47	
49	72315094	1	SEALING WASHER	DIN 7603 A14X18-CU
50	72315541	1	HEX HEAD BOLT KNECHT STANDARD AT FUEL FILTER WITH FILTER ELEMENT	DIN 931 M8X100-8.8
	72315535	1	HEX HEAD BOLT BOSCH STANDARD AT FUEL FILTER WITH FILTER ELEMENT	DIN 931 M8X75 GWA-10.9
51	72376020	1	SEALING WASHER KNECHT STANDARD AT FUEL FILTER WITH FILTER ELEMENT	DIN 7603-A8X12-CU
	72315087	1	SEALING WASHER BOSCH STANDARD AT FUEL FILTER WITH FILTER ELEMENT	DIN 7603 A8X14-CU

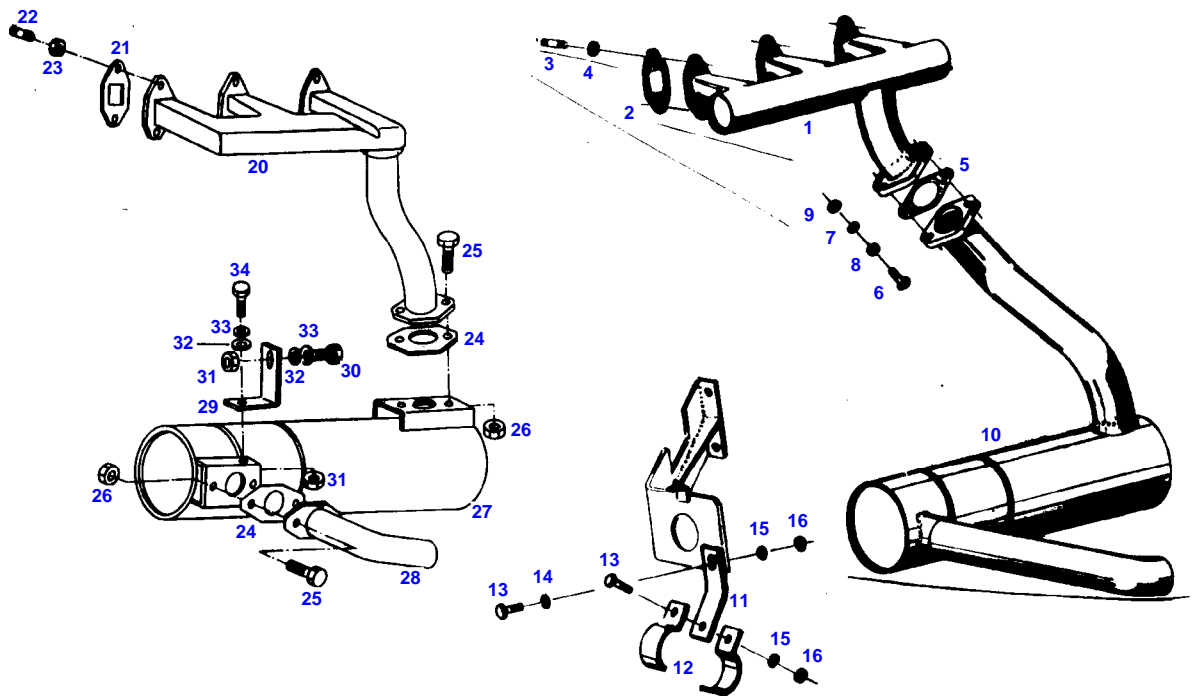
GT 231GT 231/00001-20000
AIR FILTER



Item	Part Number	Qty	Description Comments	Technical Specification
1	72358789	1	INTAKE MANIFOLD	
2	72332145	3	MOLDED SEAL	
3	72373922	6	STUD BOLT	DIN 835-M10X25-8.8
4	72315054	6	SPLIT WASHER	FWN 65208-10-A3L
5	72372811	6	NUT	DIN 934 M10-10A3L
6	72311170	1	HOSE CLIP	
7	72373528	1	HOSE CLIP	
8	72398987	1	REDUCING STUD	
9			NO LONGER AVAILABLE --> 231/15000	
	72399228	1	ANGLE <-- 231/15001	
10	72315685	2	HEX HEAD BOLT	DIN 933 M10X30-8.8A3L
11	72315054	2	SPLIT WASHER	FWN 65208-10-A3L
12	72311789	2	DISC	DIN 125-10,5-ST.A3L
13	72315650	2	HEX HEAD BOLT	DIN 933 M8X20-8.8A3L
14	72315053	2	SPLIT WASHER	FWN 65208-8-A3L
15	72311788	2	DISC	DIN 125-8,4-ST.A3L
16	72334163	1	OIL BATH AIR CLEANER ><16-20 --> 231/15000	
	72349080	1	OIL BATH AIR CLEANER ><16-23 <-- 231/15001	
	72389314	1	NOT AVAILABLE IN SINGLE PARTS ABSORPTION INDICATOR 1,0 NOT ILLUSTRATED	
17	72335511	1	INSERT --> 231/5410	
	72328718	1	INSERT <-- 231/5411 --> 231/15000	
	72334232	1	INSERT <-- 231/15001	
18	72334164	1	OIL RESERVOIR --> 231/5410	
	72326861	1	OIL RESERVOIR <-- 231/5411 --> 231/15000	
	72334231	1	OIL RESERVOIR <-- 231/15001	
19	72334165	1	SEAL --> 231/5410	
	72326859	1	SEAL <-- 231/5411 --> 231/15000	
	72327999	1	SEAL <-- 231/15001	
20	72328627	1	SEAL <-- 231/5411 --> 231/15000	
	72327998	1	SEAL <-- 231/15001	
21	72334233	1	RETAINER <-- 231/15001	
22	72373612	1	PAN HEAD SCREW <-- 231/15001	DIN 84 M6X20-4.8
23	72372783	1	SQUARE NUT <-- 231/15001	DIN 557 M6-5 A3L
24	72333996	1	RAIN CAP ><25-27 --> 231/15000	
	72330730	1	RAIN CAP ><25-27 <-- 231/15001	
25	72333998	1	PIPE CLAMP --> 231/15000	

Item	Part Number	Qty	Description Comments	Technical Specification
	72328616	1	PIPE CLAMP <-- 231/15001	
26			NO LONGER AVAILABLE --> 231/15000	
	72320202	1	SPECIAL SCREW <-- 231/15001	
27	72372783	1	SQUARE NUT	DIN 557 M6-5 A3L

GT 231GT 231/00001-20000
EXHAUST TO BOTTOM



0292

Item	Part Number	Qty	Description Comments	Technical Specification
1	72358792	1	EXHAUST PIPE --> 231/15000	
2	72332145	1	MOLDED SEAL --> 231/15000	
3	72373922	6	STUD BOLT --> 231/15000	DIN 835-M10X25-8.8
4	72373015	6	NUT --> 231/15000	DIN70615-M10-8-A3B
5	72376173	1	SEAL --> 231/15000	DIN71511-56X82X1,5-ST AFM5M.E.
6	72315689	2	HEX HEAD BOLT --> 231/15000	DIN 933 M10X35-8.8A3L
7	72315054	2	SPLIT WASHER --> 231/15000	FWN 65208-10-A3L
8	72311810	2	DISC --> 231/15000	DIN 7989 A11-ST.A3L
9	72372811	2	NUT --> 231/15000	DIN 934 M10-10A3L
10	72358790	1	EXHAUST --> 231/7326	
	72358791	1	EXHAUST BOX --> 231/7326	
	72358915	1	EXHAUST <-- 231/7327 --> 231/15000	
	72358915	1	EXHAUST <-- 231/7327 --> 231/15000	
11	72398984	1	RETAINING BRACKET --> 231/15000	
12	72390121	2	CLAMP --> 231/15000	
13	72315685	2	HEX HEAD BOLT --> 231/15000	DIN 933 M10X30-8.8A3L
	72315681	1	HEX HEAD BOLT --> 231/15000	DIN 933 M10X25-8.8A3L
14	72311789	1	DISC --> 231/15000	DIN 125-10,5-ST.A3L
15	72315054	2	SPLIT WASHER --> 231/15000	FWN 65208-10-A3L
16	72372811	2	NUT --> 231/15000	DIN 934 M10-10A3L
20	72358928	1	EXHAUST COLLECTING PIPE <-- 231/15001	
21	72332145	3	MOLDED SEAL <-- 231/15001	
22	72373922	6	STUD BOLT <-- 231/15001	DIN 835-M10X25-8.8
23	72373015	6	NUT <-- 231/15001	DIN70615-M10-8-A3B
24	72376173	2	SEAL <-- 231/15001	DIN71511-56X82X1,5-ST AFM5M.E.
25	72315681	4	HEX HEAD BOLT <-- 231/15001	DIN 933 M10X25-8.8A3L
26	72313272	4	NUT <-- 231/15001	DIN 934 M10-8A3L
27	72358930	1	MUFFLER <-- 231/15001	
28	72358929	1	EXHAUST PIPE <-- 231/15001	
29	72399229	1	RETAINER <-- 231/15001	
30	72315653	1	HEX HEAD BOLT <-- 231/15001	DIN 933 M8X25-8.8A3L
31	72313268	2	NUT <-- 231/15001	DIN 934 M8-8A3L
32	72311788	2	DISC <-- 231/15001	DIN 125-8,4-ST.A3L

Fendt

GT 231GT 231/00001-20000

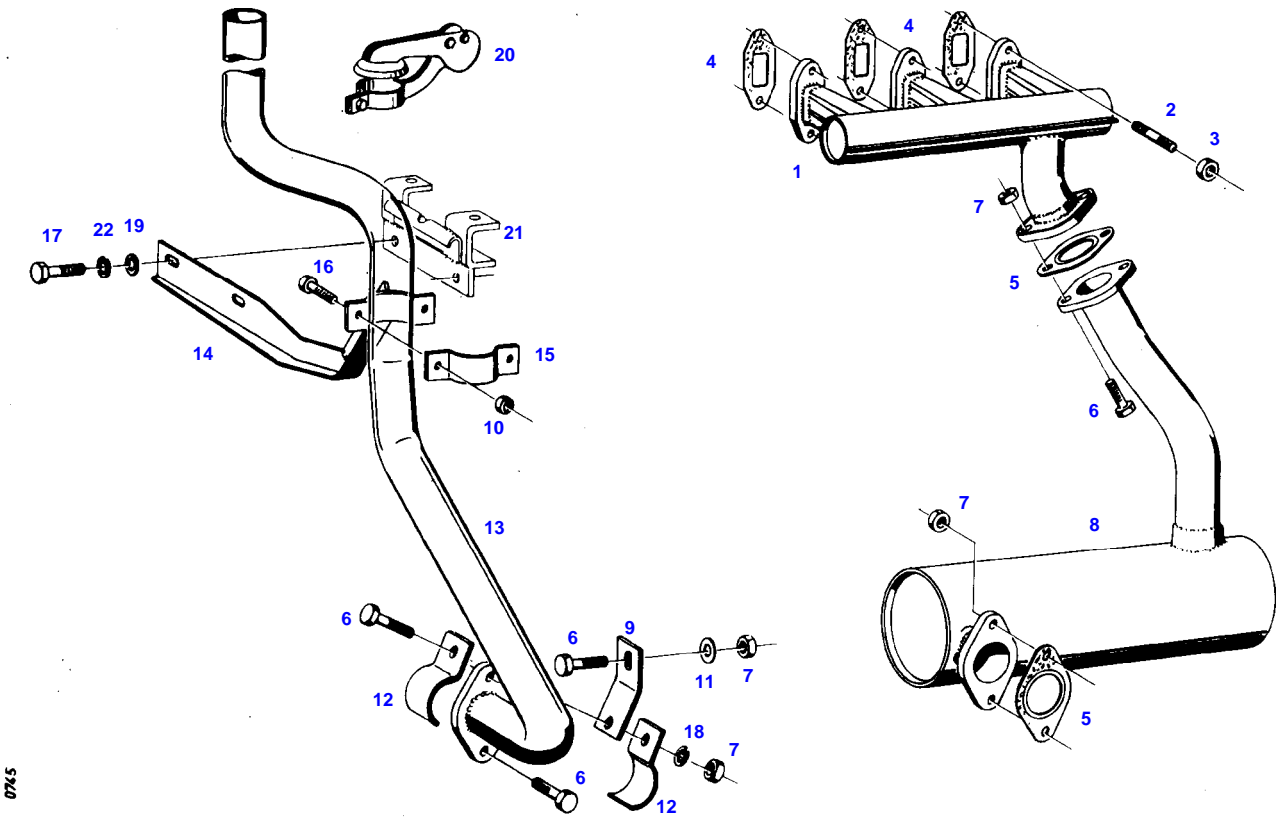
F231000

EXHAUST TO BOTTOM

Page01-0005

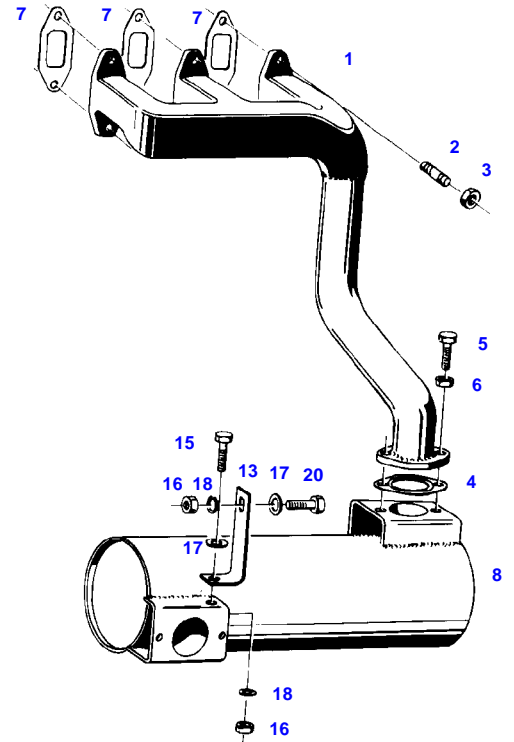
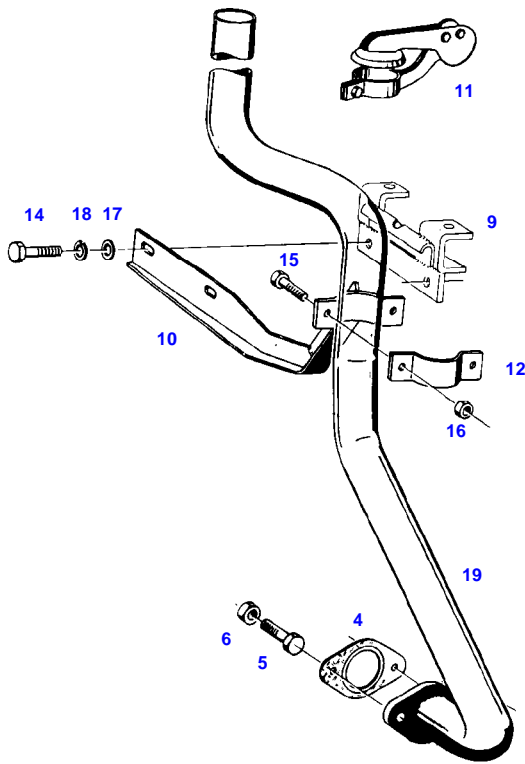
Item	Part Number	Qty	Description Comments	Technical Specification
33	72315053	2	SPLIT WASHER <-- 231/15001	FWN 65208-8-A3L
34	72315650	1	HEX HEAD BOLT <-- 231/15001	DIN 933 M8X20-8.8A3L

GT 231GT 231/00001-20000
EXHAUST UPRIGHT



Item	Part Number	Qty	Description Comments	Technical Specification
			--> 231/15000	
1	72358792	1	EXHAUST PIPE	
2	72373922	6	STUD BOLT	DIN 835-M10X25-8.8
3	72373015	6	NUT	DIN70615-M10-8-A3B
4	72332145	3	MOLDED SEAL	
5	72376173	2	SEAL	DIN71511-56X82X1,5-ST AFM5M.E.
6	72315685	6	HEX HEAD BOLT	DIN 933 M10X30-8.8A3L
7	72313272	6	NUT	DIN 934 M10-8A3L
8	72358917	1	EXHAUST BOX	
9	72398984	1	RETAINING BRACKET	
10	72313268	2	NUT	DIN 934 M8-8A3L
11	72311789	1	DISC	DIN 125-10,5-ST.A3L
12	72390121	2	CLAMP	
13	72358921	1	EXHAUST SOCKET	
14	72358918	1	EXHAUST BRACKET	
15	72399216	1	CLAMP	
16	72315650	2	HEX HEAD BOLT	DIN 933 M8X20-8.8A3L
17	72315642	2	HEX HEAD BOLT	DIN 933 M8X16-8.8A3L
18	72315054	2	SPLIT WASHER	FWN 65208-10-A3L
19	72311788	2	DISC	DIN 125-8,4-ST.A3L
20	72347590	1	EXHAUST WEATHER CAP	
21			SEE FUEL TANK	
22	72315053	2	SPLIT WASHER	FWN 65208-8-A3L

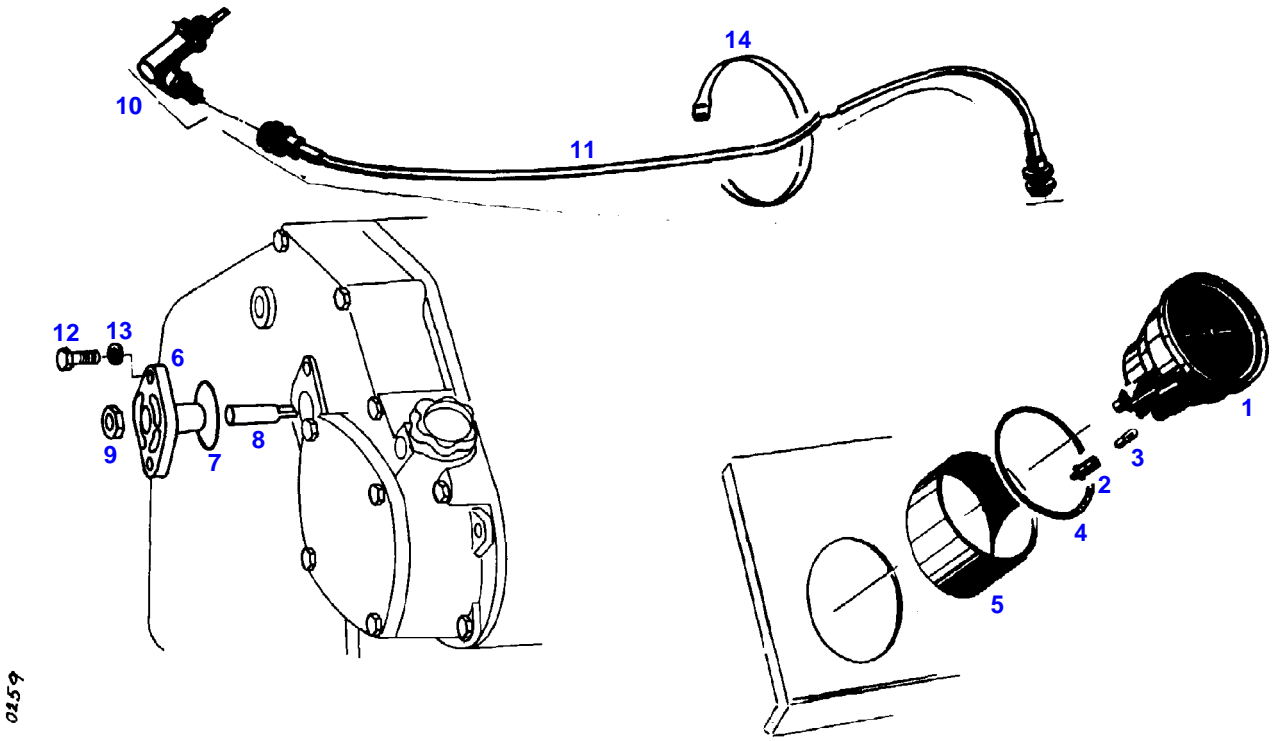
GT 231GT 231/00001-20000
EXHAUST UPRIGHT



0746

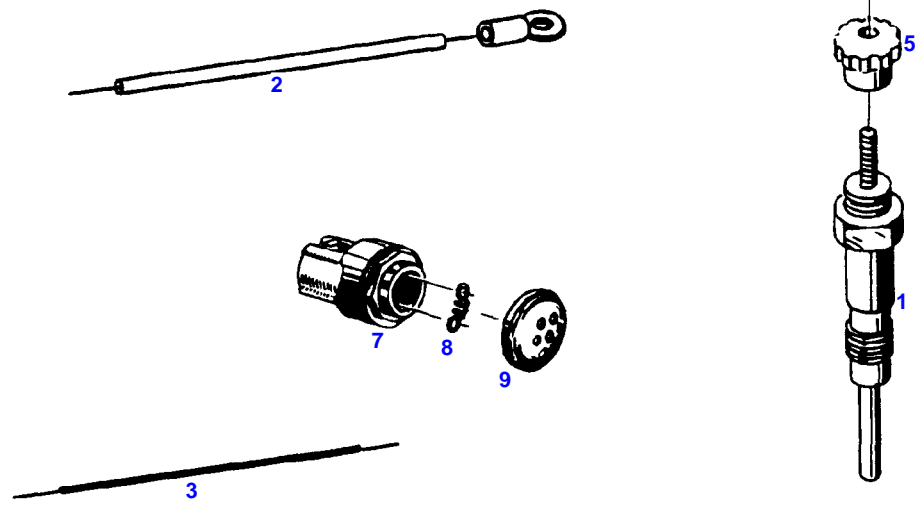
Item	Part Number	Qty	Description Comments	Technical Specification
			<-- 231/15001	
1	72358928	1	EXHAUST COLLECTING PIPE	
2	72373922	6	STUD BOLT	DIN 835-M10X25-8.8
3	72373015	6	NUT	DIN70615-M10-8-A3B
4	72376173	2	SEAL	DIN71511-56X82X1,5-ST AFM5M.E.
5	72315681	4	HEX HEAD BOLT	DIN 933 M10X25-8.8A3L
6	72313272	4	NUT	DIN 934 M10-8A3L
7	72332145	3	MOLDED SEAL	
8	72358930	1	MUFFLER	
9	72358920	1	FUEL TANK HOLDER	
10	72358918	1	EXHAUST BRACKET	
11	72347590	1	EXHAUST WEATHER CAP	
12	72399216	1	CLAMP	
13	72399229	1	RETAINER	
14	72315642	2	HEX HEAD BOLT	DIN 933 M8X16-8.8A3L
15	72315650	3	HEX HEAD BOLT	DIN 933 M8X20-8.8A3L
16	72313268	4	NUT	DIN 934 M8-8A3L
17	72311788	4	DISC	DIN 125-8,4-ST.A3L
18	72315053	4	SPLIT WASHER	FWN 65208-8-A3L
19	72358931	1	TAIL PIPE	
20	72315653	1	HEX HEAD BOLT	DIN 933 M8X25-8.8A3L

GT 231GT 231/00001-20000
TRACTOMETER SYSTEM



Item	Part Number	Qty	Description Comments	Technical Specification
1	72334167	1	TRACTOMETER >< 1-4 <-- F231.201.160.020 1X	
2	72326876	1	LAMP SOCKET	
3	72380411	1	FILAMENT BULB	DIN 72601-J-12V2W
4	72376599	1	O-RING	70X3-NBR 70 FWN56402
5	72358557	1	INTERMEDIATE RING	
6	72335527	1	COVER	
7	72376544	1	O-RING	42,2X3-NBR 70 FWN56402
8	72327035	1	DRIVER	
9	72322566	1	NUT	
10	72334005	1	BEVEL GEAR SYSTEM	
11	72483823	1	DRIVE SHAFT	
12	72315650	2	HEX HEAD BOLT	DIN 933 M8X20-8.8A3L
13	72317121	2	SPRING WASHER	DIN 137 B8-MECH.VZK
14	72316916	1	CABLE STRAP	FWN 66650 B175X4-SW

GT 231GT 231/00001-20000
COLD STARTING AID



11961

Thank you so much for reading.
Please click the “Buy Now!”
button below to download the
complete manual.



After you pay.

You can download the most
perfect and complete manual in
the world immediately.

Our support email:

ebooklibonline@outlook.com