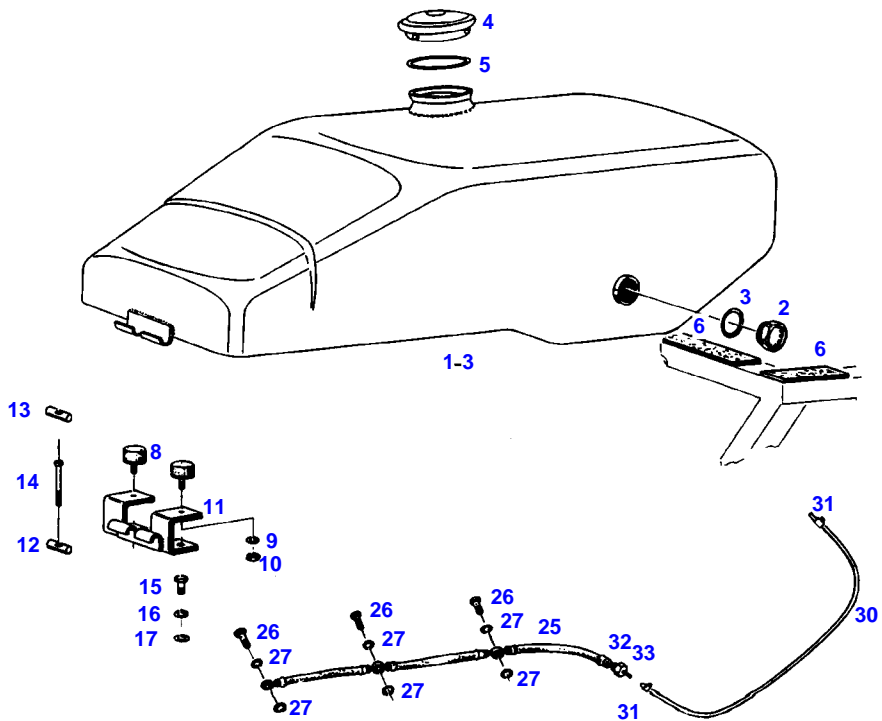


Page Number	Page Title	Page Reference
01-000-TOC	ENGINE, FUEL AND EXHAUST SYSTEM	01-000-TOC
02-000-TOC	AXLES	02-000-TOC
03-000-TOC	STEERING SYSTEM	03-000-TOC
04-000-TOC	DRIVE TRAIN SYSTEM	04-000-TOC
05-000-TOC	COMPRESSED AIR SYSTEM	05-000-TOC
06-000-TOC	HYDRAULIC SYSTEM	06-000-TOC
07-000-TOC	ELECTRICAL SYSTEM	07-000-TOC
08-000-TOC	CAB	08-000-TOC
09-000-TOC	CHASSIS	09-000-TOC
10-000-TOC	WHEELS	10-000-TOC
11-000-TOC	IMPLEMENT DRIVE SYSTEM	11-000-TOC
12-000-TOC	IMPLEMENT LIFT SYSTEM	12-000-TOC
13-000-TOC	FRONT/REAR LOADERS	13-000-TOC
14-000-TOC	ATTACHMENTS	14-000-TOC
15-000-TOC	ACCESSORIES	15-000-TOC

GT 231GTW 231/20001-99999
FUEL TANK

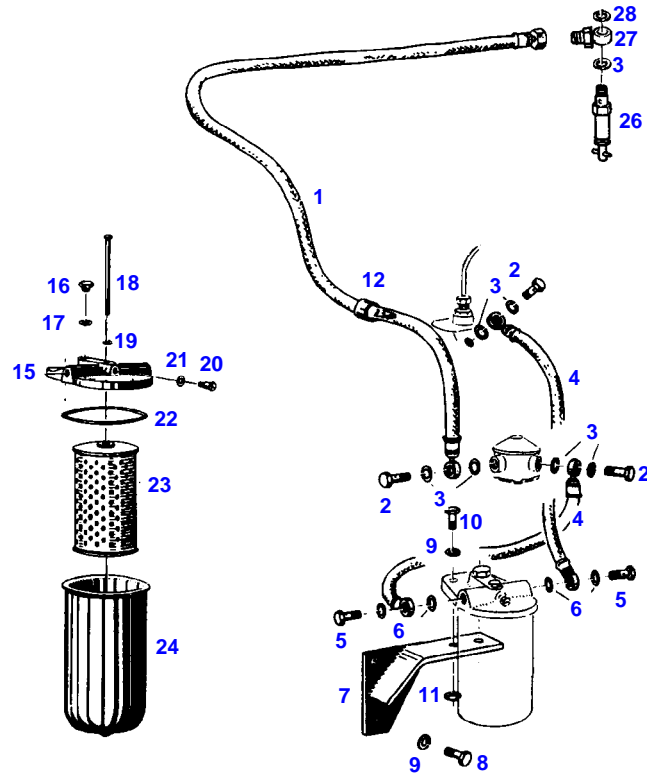


7011

FUEL TANK

Item	Part Number	Qty	Description Comments	Technical Specification
1	72349054	1	FUEL TANK >< 1-3	
2	72324994	1	OIL LEVEL GLASS	
3	72376038	1	SEALING WASHER	DIN 7603 A26X34-VF
4	72380143	1	FUEL CAP	M.BELUEF
	72394572	1	PLASTIC CAP	
	72348297	1	FUEL CAP LOCKABLE	
5	72330725	1	SEAL	
6	72398980	4	BAND	30X5X70 HAARFILZ
8	72310624	2	BUFFER	
9	72315053	2	SPLIT WASHER	FWN 65208-8-A3L
10	72313268	2	NUT	DIN 934 M8-8A3L
11	72358786	1	FUEL TANK HOLDER	
12	72386724	1	TANK BAND BOLT	
13	72386723	1	TANK BAND BOLT	
14	72373617	1	PAN HEAD SCREW	DIN 84 AM6X60-4.8A3L
15	72315705	2	HEX HEAD BOLT	DIN 933 M12X20-8.8A3L
16	72315055	2	SPLIT WASHER	FWN 65208-12-A3L
17	72311791	2	DISC	DIN 125-13-ST.A3L
25	72326850	1	LEAKAGE OIL LINE	
26	72315809	3	BANJO BOLT	DIN 7643-4-5-A3L
27	72376020	6	SEALING WASHER	DIN 7603-A8X12-CU
30	72436280	1	HOSE 1X 450MM CUT TO LENGTH	L=1350 FWN65912-3X1,5
31	72373475	2	HOSE CLIP	
32	72402578	1	SPHERICAL LINER	
33	72372999	1	CONNECTING NUT	DIN 7606 2/3M10X1-6S

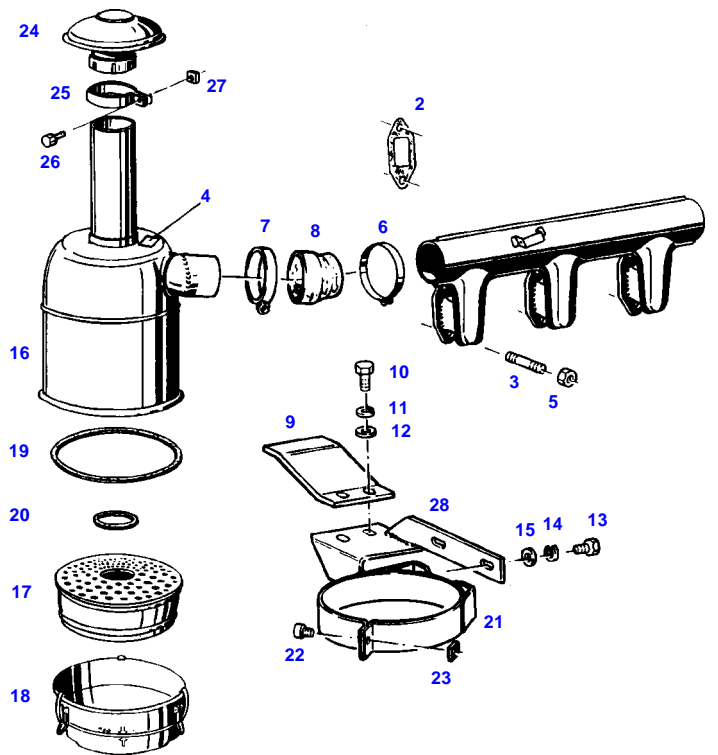
GT 231GTW 231/20001-99999
FUEL FILTER



7812

Item	Part Number	Qty	Description Comments	Technical Specification
1	72353206	1	FUEL LINE	
2	72315808	3	BANJO BOLT	DIN 7643-10-3-A3L
3	72315095	7	SEALING WASHER	DIN 7603 A14X20-CU
4	72365147	2	FUEL LINE	
5	72315808	2	BANJO BOLT	DIN 7643-10-3-A3L
6	72315094	4	SEALING WASHER	DIN 7603 A14X18-CU
7	72398981	1	MOUNTING ANGLE	
8	72313777	2	STUD BOLT	DIN 939 M10X35-8.8
9	72315054	4	SPLIT WASHER	FWN 65208-10-A3L
10	72315685	2	HEX HEAD BOLT	DIN 933 M10X30-8.8A3L
11	72313272	4	NUT	DIN 934 M10-8A3L
12	72311254	1	PIPE CLAMP	
15	72320179	1	FUEL FILTER STANDARD AT FUEL FILTER WITH FILTER ELEMENT >< 15-24 <-- F181.200.060.010	
	72320168	1	FILTER LID STANDARD AT FUEL FILTER WITH FILTER ELEMENT <-- F181.200.060.010	
	72331299	1	FILTER SUPERSESSION AT FUEL FILTER WITH FILTER CARTRIDGE ><16,17,20-23	
16	72315799	1	PLUG	DIN 7604 AM14X1,5-A3L
17	72315094	1	SEALING WASHER	DIN 7603 A14X18-CU
18	72315541	1	HEX HEAD BOLT STANDARD AT FUEL FILTER WITH FILTER ELEMENT	DIN 931 M8X100-8.8
19	72376020	1	SEALING WASHER STANDARD AT FUEL FILTER WITH FILTER ELEMENT	DIN 7603-A8X12-CU
20	72323290	1	BLEED SCREW	
21	72315084	1	SEALING WASHER	DIN 7603 A6X10-CU
22	72320148	1	RUBBER SEAL RING STANDARD AT FUEL FILTER WITH FILTER ELEMENT	
	72314995	1	RUBBER RING SUPERSESSION AT FUEL FILTER WITH FILTER CARTRIDGE	
23	72320177	1	FILTER BOX STANDARD AT FUEL FILTER WITH FILTER ELEMENT	
	72416928	1	FILTER BOX SUPERSESSION AT FUEL FILTER WITH FILTER CARTRIDGE ><22	
24	72320167	1	FILTER HOUSING STANDARD AT FUEL FILTER WITH FILTER ELEMENT	
26	72380159	1	FUEL SHUT-OFF VALVE	
27	72316302	1	NOZZLE	LL10 DIN7641/12.69 A3L
28	72315093	1	SEALING WASHER	DIN 7603 A12X18-CU

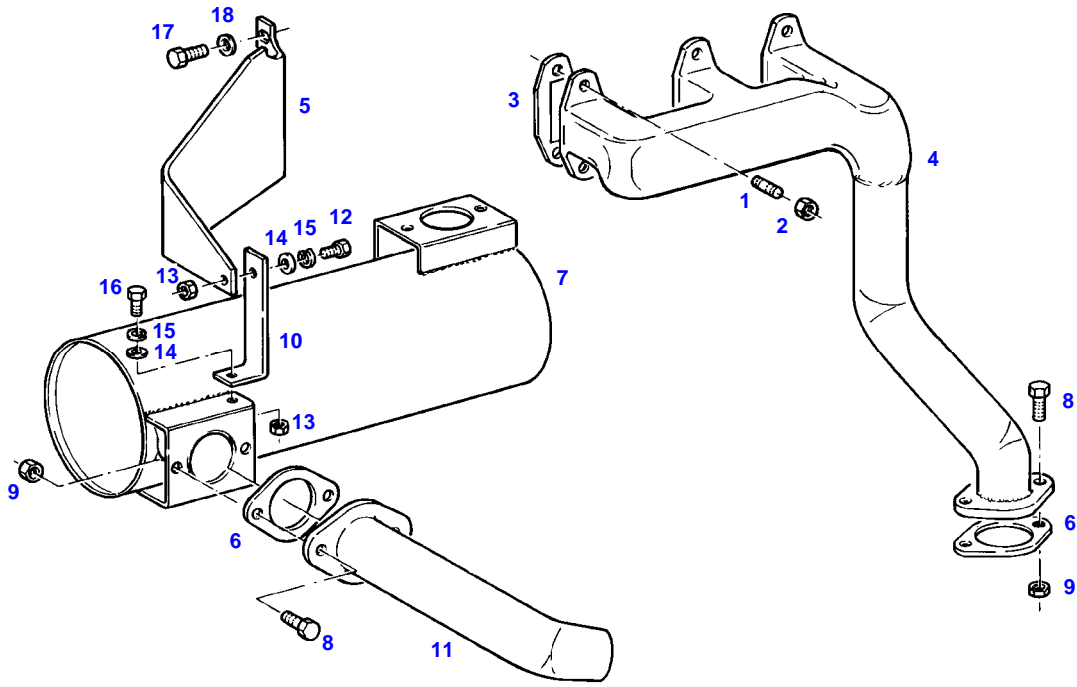
GT 231GTW 231/20001-99999
AIR FILTER



7694

Item	Part Number	Qty	Description Comments	Technical Specification
1	72358789	1	INTAKE MANIFOLD	
2	72332145	3	MOLDED SEAL	
3	72373922	6	STUD BOLT	DIN 835-M10X25-8.8
4	72389314	1	ABSORPTION INDICATOR (1,0)	
5	72373015	6	NUT	DIN70615-M10-8-A3B
6	72311170	1	HOSE CLIP	
7	72373528	1	HOSE CLIP	
8	72398987	1	REDUCING STUD	
9	72399237	1	SUPPORT	
10	72315685	2	HEX HEAD BOLT	DIN 933 M10X30-8.8A3L
11	72315054	2	SPLIT WASHER	FWN 65208-10-A3L
12	72311789	2	DISC	DIN 125-10,5-ST.A3L
13	72315653	2	HEX HEAD BOLT	DIN 933 M8X25-8.8A3L
14	72315053	2	SPLIT WASHER	FWN 65208-8-A3L
15	72311788	2	DISC	DIN 125-8,4-ST.A3L
16	72349080	1	OIL BATH AIR CLEANER >< 16-23	
17	72334232	1	INSERT	
18	72334231	1	OIL RESERVOIR	
19	72327999	1	SEAL	
20	72327998	1	SEAL	
21	72334233	1	RETAINER	
22	72373612	1	PAN HEAD SCREW	DIN 84 M6X20-4.8
23	72372783	1	SQUARE NUT	DIN 557 M6-5 A3L
24	72330730	1	RAIN CAP >< 24-27	
25	72328616	1	PIPE CLAMP	
26	72320202	1	SPECIAL SCREW	
27	72372783	1	SQUARE NUT	DIN 557 M6-5 A3L
28	72358936	1	RETAINER	

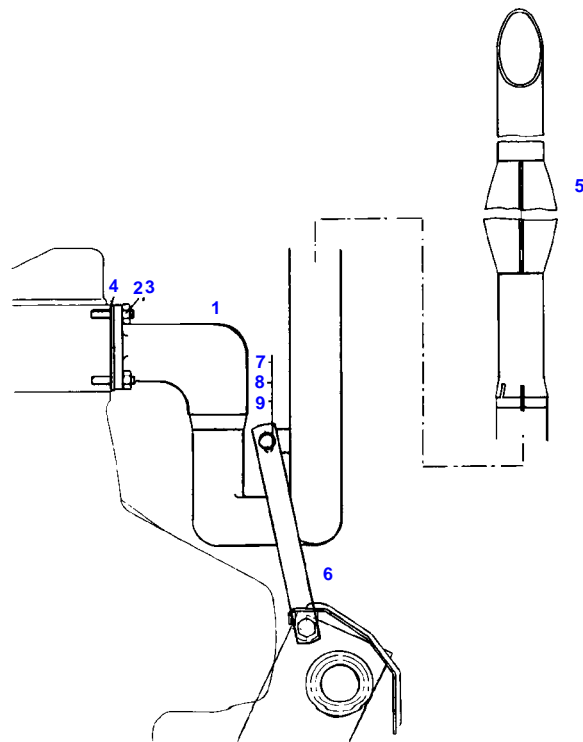
GT 231GTW 231/20001-99999
EXHAUST TO BOTTOM



7635

Item	Part Number	Qty	Description Comments	Technical Specification
1	72373922	6	STUD BOLT	DIN 835-M10X25-8.8
2	72373015	6	NUT	DIN70615-M10-8-A3B
3	72332145	3	MOLDED SEAL	
4	72358928	1	EXHAUST COLLECTING PIPE	
5	72399238	1	GUSSET PLATE	
6	72376173	2	SEAL	DIN71511-56X82X1,5-ST AFM5M.E.
7	72358930	1	MUFFLER	
8	72315681	4	HEX HEAD BOLT	DIN 933 M10X25-8.8A3L
9	72313272	4	NUT	DIN 934 M10-8A3L
10	72399229	1	RETAINER	
11	72358929	1	EXHAUST PIPE	
12	72315653	1	HEX HEAD BOLT	DIN 933 M8X25-8.8A3L
13	72313268	2	NUT	DIN 934 M8-8A3L
14	72311788	2	DISC	DIN 125-8,4-ST.A3L
15	72315053	2	SPLIT WASHER	FWN 65208-8-A3L
16	72315650	1	HEX HEAD BOLT	DIN 933 M8X20-8.8A3L
17	72315680	2	HEX HEAD BOLT	DIN 933 M10X25-8.8
18	72311789	2	DISC	DIN 125-10,5-ST.A3L

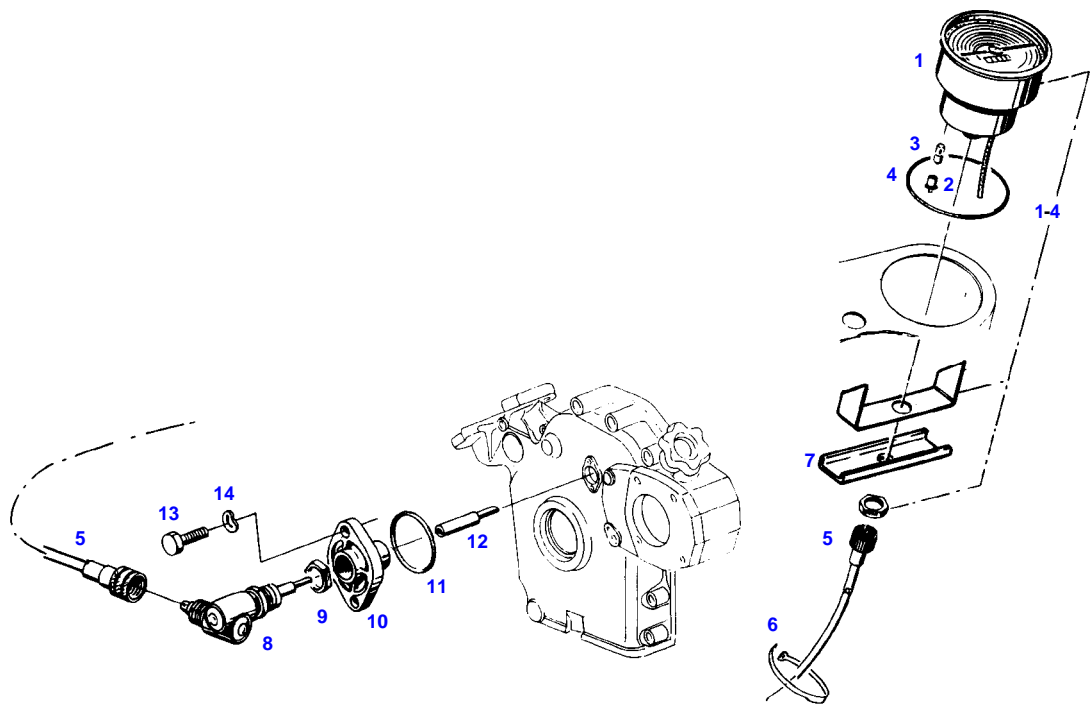
GT 231GTW 231/20001-99999
EXHAUST UPRIGHT



7929

Item	Part Number	Qty	Description Comments	Technical Specification
1	72358937	1	EXHAUST COLLECTING PIPE	
2	72373015	6	NUT	DIN70615-M10-8-A3B
3	72373922	6	STUD BOLT	DIN 835-M10X25-8.8
4	72332145	3	MOLDED SEAL	
5	72358126	1	EXHAUST MUFFLER	
6	72399239	1	SUPPORT	
7	72315653	1	HEX HEAD BOLT	DIN 933 M8X25-8.8A3L
8	72313268	1	NUT	DIN 934 M8-8A3L
9	72311788	1	DISC	DIN 125-8,4-ST.A3L

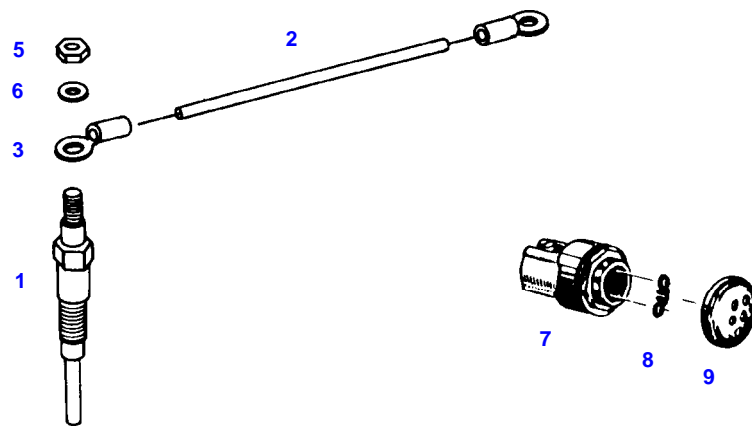
GT 231GTW 231/20001-99999
TRACTOMETER SYSTEM



7930

Item	Part Number	Qty	Description Comments	Technical Specification
1	72334167	1	TRACTOMETER >< 1-4 <-- F231.201.160.020 1X	
2	72326876	2	LAMP SOCKET	
3	72380411	1	FILAMENT BULB	DIN 72601-J-12V2W
4	72376599	1	O-RING	70X3-NBR 70 FWN56402
5	72483823	1	DRIVE SHAFT	
6	72316916	1	CABLE STRAP	FWN 66650 B175X4-SW
7	72399240	1	CLAMP	
8	72334005	1	BEVEL GEAR SYSTEM	
9	72322566	1	NUT	
10	72335527	1	COVER	
11	72376544	1	O-RING	42,2X3-NBR 70 FWN56402
12	72327035	1	DRIVER	
13	72315650	2	HEX HEAD BOLT	DIN 933 M8X20-8.8A3L
14	72317121	2	SPRING WASHER	DIN 137 B8-MECH.VZK

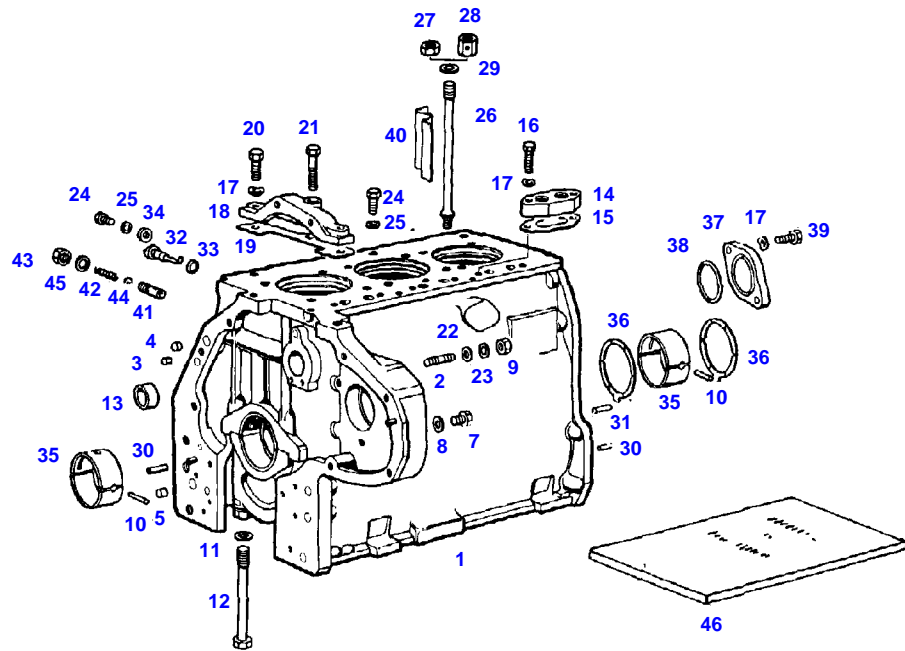
GT 231GTW 231/20001-99999
COLD STARTING AID



7931

Item	Part Number	Qty	Description Comments	Technical Specification
1	72335281	3	ROD GLOW PLUG	
2	72359162	3	CONNECTING CABLE >< 3	
3	72329002	1	CABLE LUG	
5	72313264	3	NUT	DIN 934 M5-8A3L
6	72317119	3	SPRING WASHER	DIN 137 B5-MECH.VZK
7	72327415	1	GLOW PLUG INDICATOR >< 8+9	
8	72327416	1	GLOW WIRE	
9	72320692	1	SHIELD CAP	

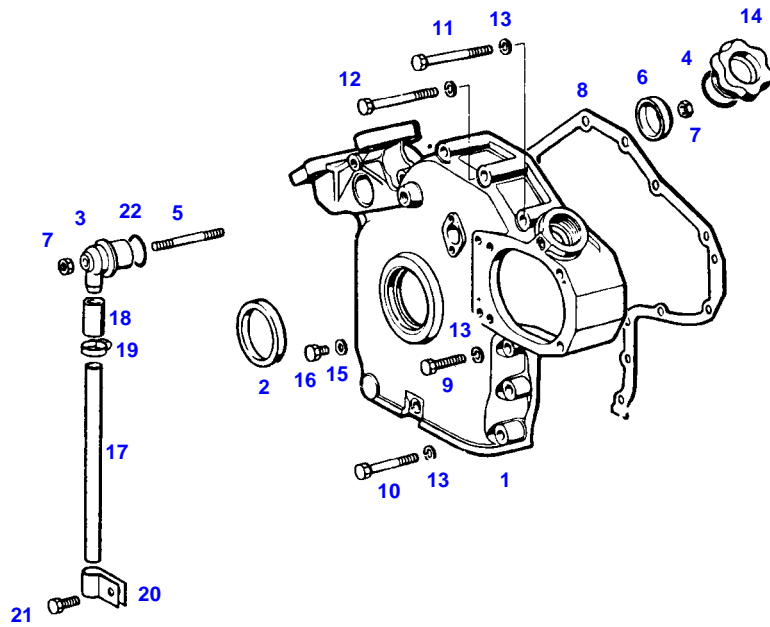
GT 231GTW 231/20001-99999
CRANKCASE



2496

Item	Part Number	Qty	Description Comments	Technical Specification
1	72334234	1	CRANKCASE ><3-5,10-13,41-45	
2	72313777	4	STUD BOLT	DIN 939 M10X35-8.8
3	72327772	9	PLUG	
4	72327773	3	PLUG	
5	72327068	2	PLUG	
7	72374590	1	HEX HEAD BOLT	DIN 933 M8X18 Z-8.8
8	72315087	1	SEALING WASHER	DIN 7603 A8X14-CU
9	72372811	4	NUT	DIN 934 M10-10A3L
10	72375130	4	TENSIONING PIN	ISO8752-4X8-A-ST-ZNPH
11	72324592	8	DISC	
12	72327081	8	HEX HEAD BOLT	
13	72330749	1	BUSH	
14	72334013	3	COVER	
15	72334015	3	MOLDED SEAL	
16	72315657	6	HEX HEAD BOLT	DIN 933 M8X30-8.8A3L
17	72317121	11	SPRING WASHER	DIN 137 B8-MECH.VZK
18	72325577	1	ANGULAR COVER	
19	72325578	1	MOLDED SEAL	
20	72315653	2	HEX HEAD BOLT	DIN 933 M8X25-8.8A3L
21	72374427	1	HEX HEAD BOLT	DIN 933 M8X45-8.8
22	72311789	4	DISC	DIN 125-10,5-ST.A3L
23	72375420	4	TOOTHLOCK WASHER	DIN 6797 A10,5
24	72315642	6	HEX HEAD BOLT	DIN 933 M8X16-8.8A3L
25	72315053	6	SPLIT WASHER	FWN 65208-8-A3L
26	72334010	12	TIE ROD	
27	72313277	10	NUT	DIN 934-M12-10-A3L
28	72325902	2	NUT	
29	72341067	12	DISC	
30	72313859	4	CYLINDER PIN	DIN 7-8M6X18-ST50K
31	72375324	2	CYLINDER PIN	DIN 7-10M6X28-ST50K
32	72334018	3	NOZZLE	
33	72376423	3	O-RING	14X3-NBR 70 FWN56402
34	72334019	3	DISC	
35	72341078	4	MAIN BEARING 70,00	
	72341079	4	MAIN BEARING 69,75	
	72341080	4	MAIN BEARING 69,50	
	72341081	4	MAIN BEARING 69,25	
	72341082	4	MAIN BEARING 69,00	
36	72343910	2	THRUST RING 70,00	
	72343911	2	THRUST RING 69,79	
37	72343896	1	COVER	
38	72376544	1	O-RING	42,2X3-NBR 70 FWN56402
39	72315650	2	HEX HEAD BOLT	DIN 933 M8X20-8.8A3L
40	72334235	1	COVER PANEL	
41	72341074	1	SCREW PIECE	
42	72341075	1	COMPRESSION SPRING	
43	72341076	1	CAP NUT	
44	72378872	1	BALL	DIN 5401-9,0MM
45	72315097	1	SEALING WASHER	DIN 7603 A16X20-CU
46	72376241	1	SEAL KIT	D 327-3

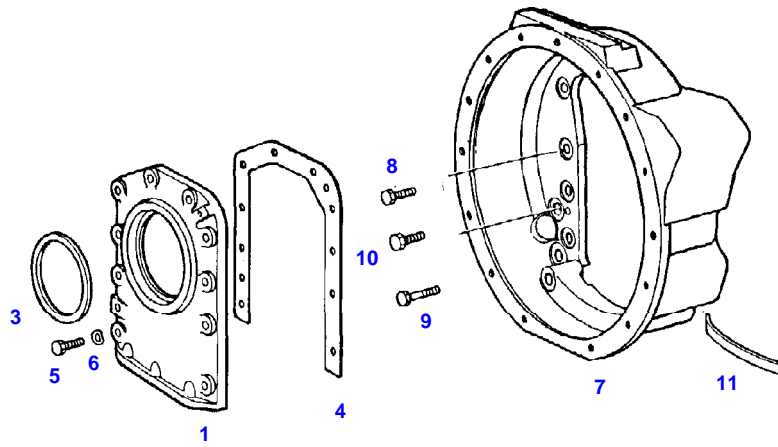
GT 231GTW 231/20001-99999
FRONT COVER



7813

Item	Part Number	Qty	Description Comments	Technical Specification
1	72340126	1	CRANKCASE END COVER	
2	72332982	1	RADIAL SEALING RING	
3	72326907	1	HOUSING	
4	72376514	1	O-RING	32X4-NBR 70 FWN56402
5	72326906	1	THREADED PIN	
6	72326904	1	COVER PANEL	
7	72313266	2	NUT	DIN 934 M6-8A3L
8	72330757	1	MOLDED SEAL	
9	72315659	1	HEX HEAD BOLT	DIN 933 M8X35-8.8
10	72374158	7	HEX HEAD BOLT	DIN 931 M8X45-8.8
11	72315534	3	HEX HEAD BOLT	DIN 931 M8X70-8.8
12	72315535	2	HEX HEAD BOLT	DIN 931 M8X75 GWA-10.9
13	72315053	16	SPLIT WASHER	FWN 65208-8-A3L
14	72321607	1	PLUG	
15	72315087	2	SEALING WASHER	DIN 7603 A8X14-CU
16	72315644	1	HEX HEAD BOLT	DIN 933 M8X10-8.8A3L
17	72334020	1	PIPE	
18	72334169	1	HOSE PIECE	
19	72311166	2	HOSE CLIP	
20	72334021	1	PIPE CLAMP	
21	72315645	1	HEX HEAD BOLT	DIN 933 M8X12-8.8A3L
22	72376538	1	O-RING	40X4

GT 231GTW 231/20001-99999
HOUSING FLANGE



2499

Item	Part Number	Qty	Description Comments	Technical Specification
1	72330754	1	CRANKCASE END COVER	
3	72376834	1	SHAFT SEAL	110X130X14,5
4	72330755	1	MOLDED SEAL	
5	72315653	10	HEX HEAD BOLT	DIN 933 M8X25-8.8A3L
6	72317121	10	SPRING WASHER	DIN 137 B8-MECH.VZK
7	72399230	1	HOUSING <>	
8	72315683	10	HEX HEAD BOLT	DIN 933 M10X28-10.9
9	72315548	2	HEX HEAD BOLT	DIN 931 M10X75-10.9
10	72374465	6	HEX HEAD BOLT	DIN 933 M12X28-10.9
11	72325584	1	RUBBER STRIP	

Thank you so much for reading.
Please click the “Buy Now!”
button below to download the
complete manual.



After you pay.

You can download the most
perfect and complete manual in
the world immediately.

Our support email:

ebooklibonline@outlook.com