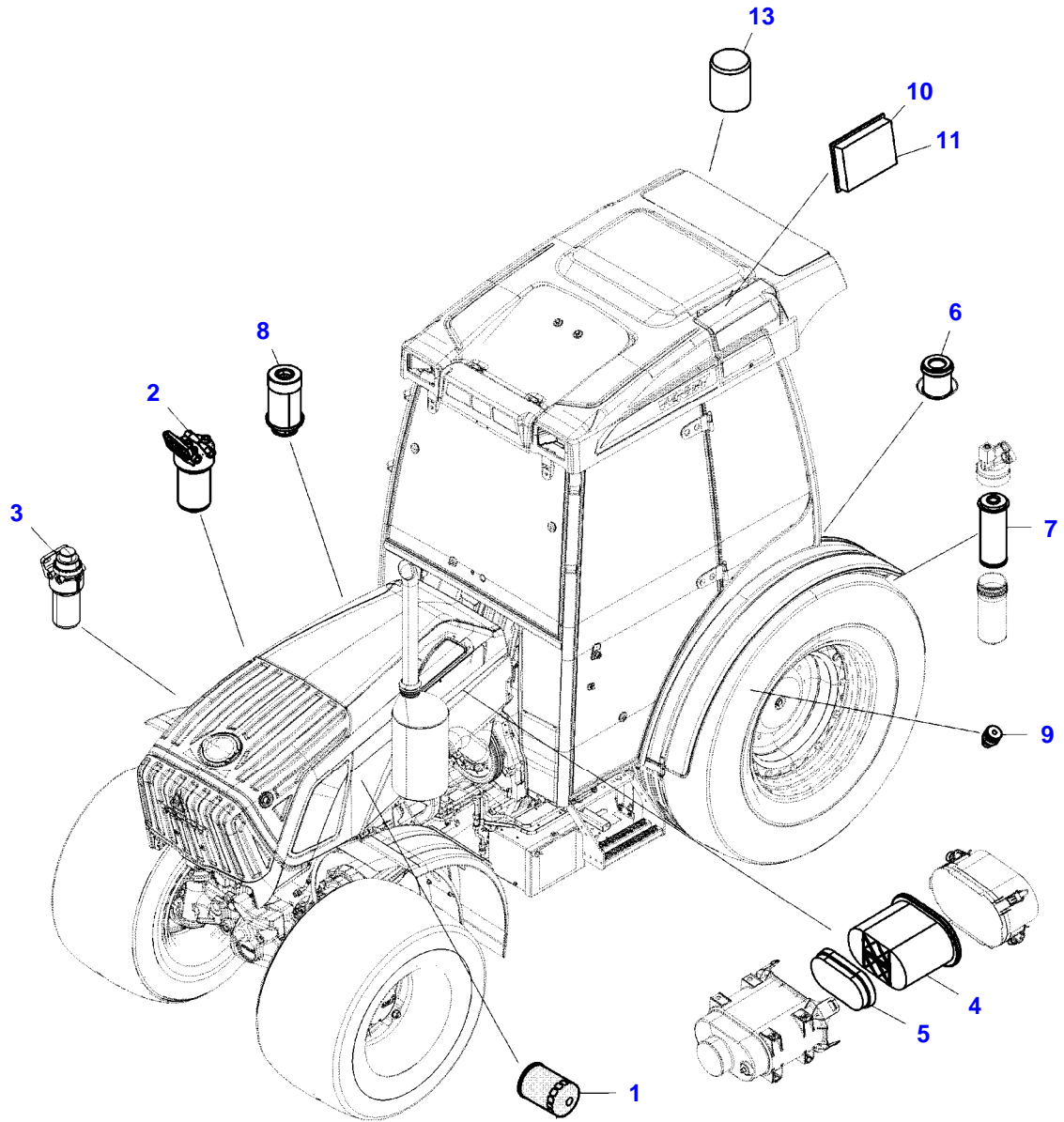


| Page Number | Page Title | Page Reference |
|--------------------|-------------------------------------|-----------------------|
| 01-000-TOC | ENGINE, FUEL AND EXHAUST SYSTEM | 01-000-TOC |
| 02-000-TOC | AXLES | 02-000-TOC |
| 03-000-TOC | STEERING SYSTEM | 03-000-TOC |
| 04-000-TOC | DRIVE TRAIN SYSTEM | 04-000-TOC |
| 05-000-TOC | COMPRESSED AIR SYSTEM | 05-000-TOC |
| 06-000-TOC | HYDRAULIC SYSTEM | 06-000-TOC |
| 07-000-TOC | ELECTRICAL SYSTEM | 07-000-TOC |
| 08-000-TOC | CAB | 08-000-TOC |
| 09-000-TOC | AIR CONDITIONING AND HEATING SYSTEM | 09-000-TOC |
| 10-000-TOC | CHASSIS | 10-000-TOC |
| 11-000-TOC | WHEELS | 11-000-TOC |
| 12-000-TOC | IMPLEMENT LIFT SYSTEM FRONT | 12-000-TOC |
| 13-000-TOC | IMPLEMENT LIFT SYSTEM REAR | 13-000-TOC |
| 14-000-TOC | LINKAGE | 14-000-TOC |
| 15-000-TOC | ACCESSORIES | 15-000-TOC |

| Page Number | Page Title | Page Reference |
|-------------|--|----------------|
| 01-0001 | FILTERS - OVERVIEW | 2216887 |
| 01-0002 | ENGINE ASSEMBLIES | 2210490 |
| 01-0003 | ENGINE - RETAINER | 2219287 |
| 01-0004 | CYLINDER BLOCK | 2210499 |
| 01-0005 | TIMING GEARS AND HOUSING | 2211025 |
| 01-0006 | FLYWHEEL AND FLYWHEEL HOUSING | 2211109 |
| 01-0007 | CRANKSHAFT AND PISTONS | 2211111 |
| 01-0008 | CAMSHAFT AND VALVE MECHANISM | 2211113 |
| 01-0009 | CYLINDER HEAD | 2211161 |
| 01-0010 | VALVE ROCKER COVER | 2211287 |
| 01-0011 | INTAKE MANIFOLD | 2211619 |
| 01-0012 | TURBOCHARGER AND EXHAUST MANIFOLD | 2215178 |
| 01-0013 | EXHAUST GAS RECIRCULATION (EGR) | 2215348 |
| 01-0014 | OIL PUMP AND SUMP | 2215349 |
| 01-0015 | OIL COOLER AND FILTER | 2215352 |
| 01-0016 | CLOSED CRANKCASE VENTILATION (CCV) | 2215412 |
| 01-0017 | COOLANT PUMP AND THERMOSTAT | 2215455 |
| 01-0018 | FUEL INJECTION SYSTEM | 2215531 |
| 01-0019 | FUEL FILTERS | 2216167 |
| 01-0020 | ELECTRONIC ENGINE MANAGEMENT | 2216543 |
| 01-0021 | ALTERNATOR | 2216544 |
| 01-0022 | STARTER MOTOR | 2216545 |
| 01-0023 | ENGINE OVERHAUL PARTS | 2216560 |
| 01-0024 | SPECIAL OVERHAUL PARTS | 2327194 |
| 01-0025 | AIR CLEANER | 2218216 |
| 01-0026 | WATER COOLED RADIATOR | 2217031 |
| 01-0027 | EXPANSION TANK | 2217032 |
| 01-0028 | BOOST INTERCOOLING | 2218549 |
| 01-0029 | FUEL TANK | 2218108 |
| 01-0030 | FUEL LINES | 2218109 |
| 01-0031 | EXHAUST - EXHAUST AFTER-TREATMENT LOWER | 2218459 |
| 01-0032 | EXHAUST - EXHAUST AFTER-TREATMENT TOP | 2218460 |
| 01-0033 | VISCO FAN | 2216897 |
| 01-0034 | VISCO FAN - REVERSIBLE FAN | 2216898 |
| 01-0035 | VALVE BLOCK ASSEMBLY - REVERSIBLE FAN | 2256135 |
| 01-0036 | SPEED CONTROL FOOT OPERATION | 2218920 |
| 01-0037 | SPEED CONTROL MANUAL OPERATION | 2218900 |
| 01-0038 | ENGINE PRE-HEATER | 2218943 |

FENDT 209V VARIO S3 (WAM234XXX00F00101-99999)
18067842-M-1

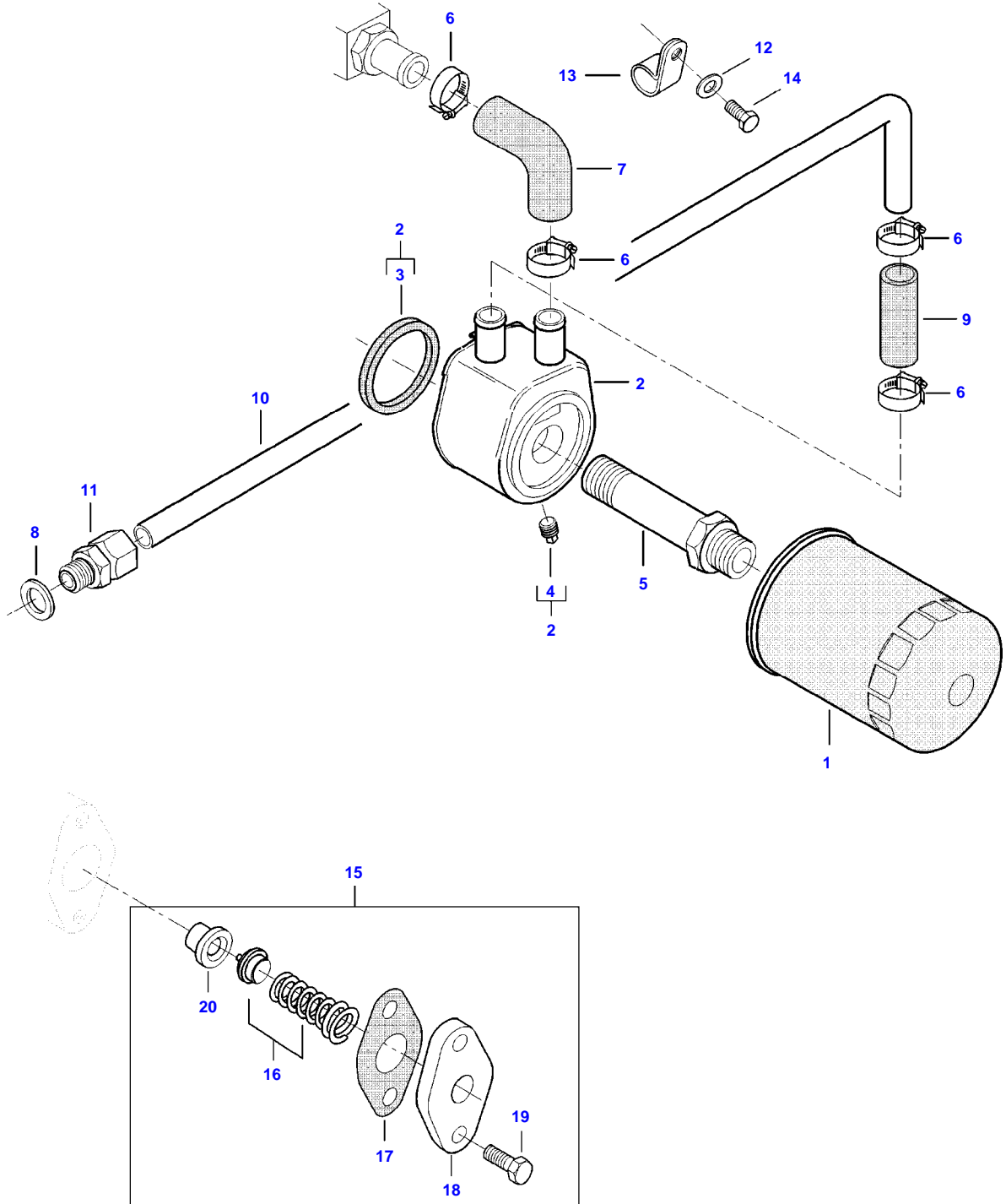


18067842-M-1

| Item | Part Number | Qty | Description Comments |
|------|-------------|-----|--|
| 1 | V836479591 | 1 | ENGINE OIL FILTER SEE PAGE 01-0015 |
| 2 | V837086099 | 1 | MAIN FUEL FILTER SEE PAGE 01-0019 |
| 3 | V837086172 | 1 | FUEL PREFILTER SEE PAGE 01-0019 |
| 4 | 72474352 | 1 | FILTER CARTRIDGE SEE PAGE 01-0025 |
| 5 | 72474353 | 1 | SAFETY CARTRIDGE SEE PAGE 01-0025 |
| 6 | 72474644 | 1 | SUCTION FILTER TRANSMISSION SEE PAGE 04-0029 |
| 7 | 72311028 | 1 | FILTER ELEMENT TRANSMISSION OIL PRESSURE SEE PAGE 04-0034 |
| 8 | 72436468 | 1 | OIL FILTER ELEMENT OIL TANK SEE PAGE 13-0007 |
| 9 | 72474412 | 1 | VENTILATION FILTER OIL TANK SEE PAGE 13-0006 |
| 10 | 72477670 | 1 | FILTER FRESH AIR |
| 11 | 72481531 | 1 | FILTER ACTIVE COAL FILTER |
| 13 | 72437515 | 1 | CARTRIDGE JET AIR DRIER |

FENDT 209V VARIO S3 (WAM234XXX00F00101-99999)
AP14A2426

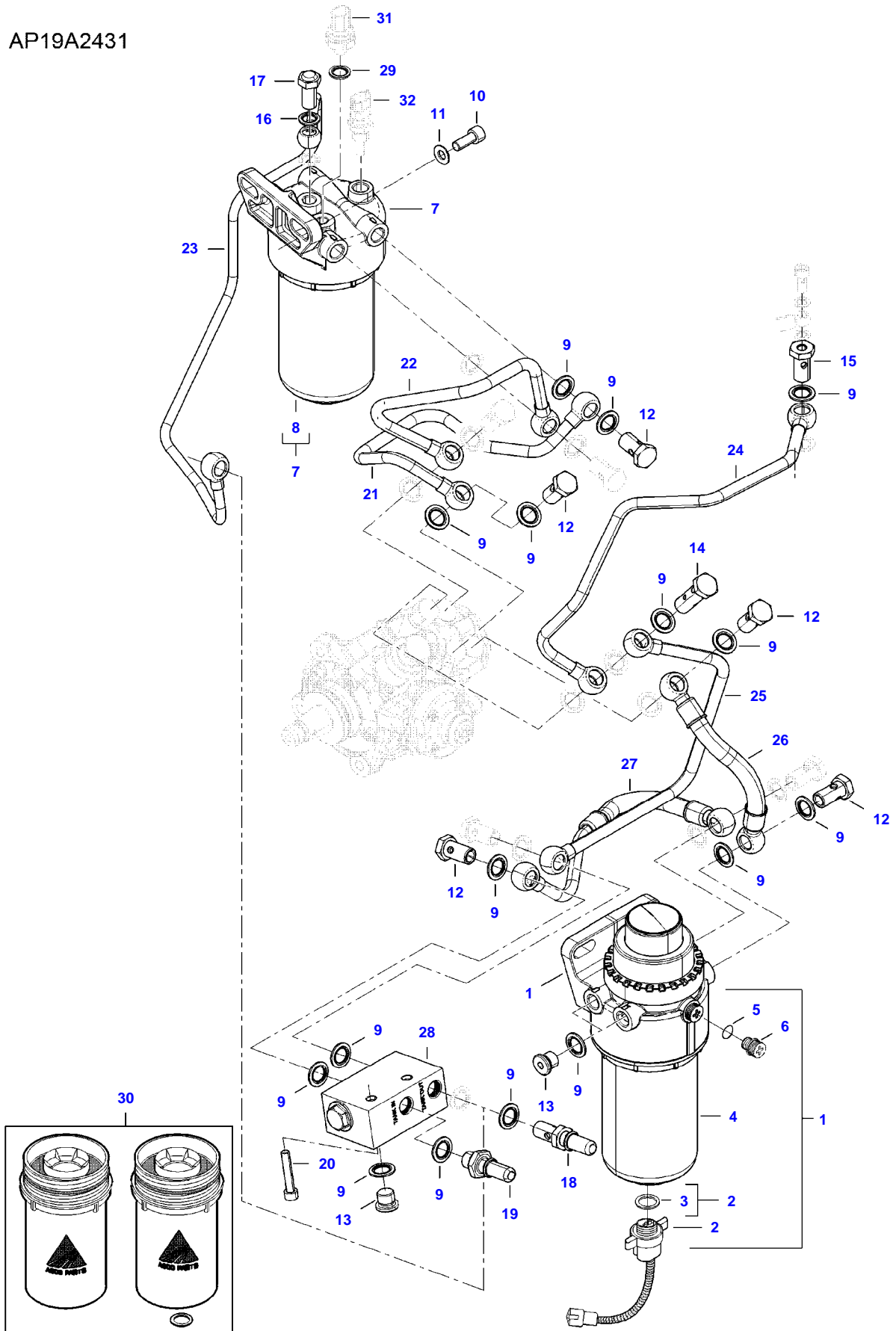
AP14A2426



| Item | Part Number | Qty | Description Comments |
|------|-------------|-----|---|
| 1 | V836479591 | 1 | ENGINE OIL FILTER |
| 2 | V836859699 | 1 | OIL COOLER |
| 3 | V836862235 | 1 | SEAL (2) |
| 4 | V640004004 | 1 | PLUG (2) |
| 5 | V836859700 | 1 | UNION |
| 6 | V602079516 | 4 | HOSE CLIP |
| 7 | V836859899 | 1 | RUBBER ELBOW |
| 8 | V615881822 | 1 | SEALING WASHER [B] |
| 9 | V836673590 | 1 | RUBBER HOSE |
| 10 | V836673588 | 1 | PIPE |
| 11 | V641086015 | 1 | STRAIGHT FITTING |
| 12 | V500050642 | 1 | WASHER |
| 13 | V602074615 | 1 | RETAINER CLAMP |
| 14 | V528801062 | 1 | HEX CAP SCREW |
| 15 | V837091147 | 1 | OIL PRESSURE CONTROL VALVE |
| 16 | | 1 | NOT AVAILABLE AS SINGLE PART (15) |
| 17 | V836322190 | 1 | GASKET (15) [B] |
| 18 | V837074289 | 1 | COVER (15) |
| 19 | V528801382 | 2 | HEX CAP SCREW (15) |
| 20 | | 1 | NOT AVAILABLE AS SINGLE PART (15) [B] INCLUDED IN COMPLETE ENGINE GASKET KIT 2 |

FENDT 209V VARIO S3 (WAM234XXX00F00101-99999)
AP19A2431

AP19A2431

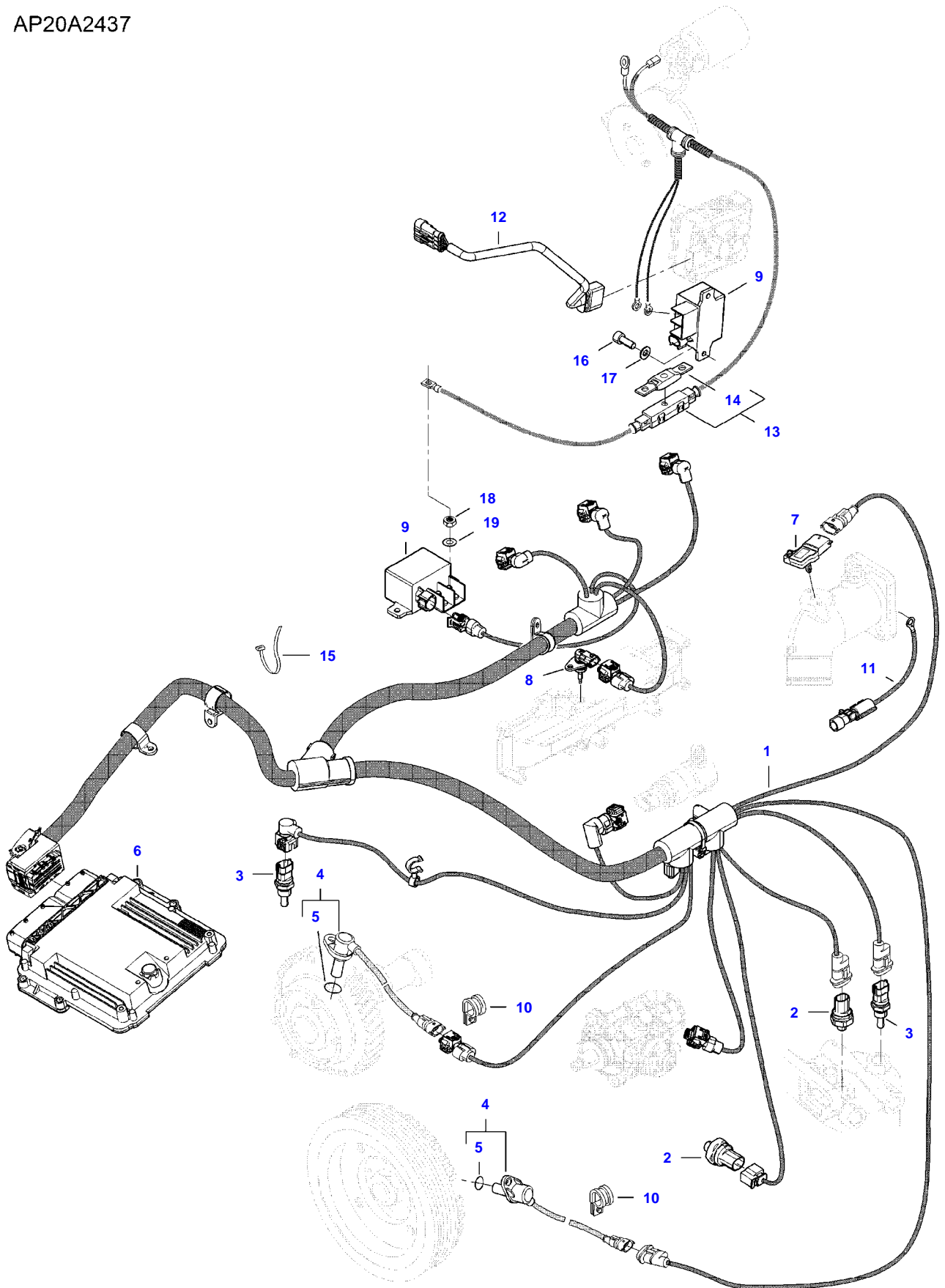


FUEL FILTERS

| Item | Part Number | Qty | Description Comments |
|------|-------------|-----|--|
| 1 | V837086172 | 1 | FUEL PREFILTER |
| 2 | V837074054 | 1 | FUEL FILTER WATER ALARM (1) |
| 3 | V837091271 | 1 | SEAL (1),(2),(30) |
| 4 | | 1 | NOT AVAILABLE AS SINGLE PART (1),(30) |
| 5 | V837079628 | 1 | O-RING (1) |
| 6 | V837079627 | 1 | BLEED SCREW (1) |
| 7 | V837086099 | 1 | MAIN FUEL FILTER |
| 8 | | 1 | NOT AVAILABLE AS SINGLE PART (7),(30) |
| 9 | V836684770 | 29 | SEALING WASHER [A] |
| 10 | V581805022 | 4 | HEX SOCKET SCREW |
| 11 | V500151052 | 4 | WASHER |
| 12 | V640435010 | 9 | BANJO BOLT |
| 13 | V640325014 | 3 | PLUG |
| 14 | V640425010 | 1 | DUAL BANJO BOLT |
| 15 | V836007420 | 1 | BANJO BOLT |
| 16 | V836684769 | 2 | SEALING WASHER [A] |
| 17 | V837074134 | 1 | BANJO BOLT |
| 18 | V837074191 | 1 | QUICK COUPLER |
| 19 | V837086171 | 1 | QUICK COUPLER |
| 20 | V529801442 | 2 | HEX CAP SCREW |
| 21 | V837074725 | 1 | FUEL PIPE |
| 22 | V837074724 | 1 | FUEL PIPE |
| 23 | V837086181 | 1 | FUEL PIPE |
| 24 | V837086348 | 1 | FUEL PIPE |
| 25 | V837086178 | 1 | FUEL PIPE |
| 26 | V837086179 | 1 | FUEL HOSE |
| 27 | V837086180 | 1 | FUEL HOSE |
| 28 | V837086013 | 1 | FLOW CONTROL VALVE |
| 29 | V615871016 | 1 | SEALING WASHER [A] |
| 30 | V837091129 | 1 | FUEL FILTER KIT |
| 31 | | 1 | SEE PAGE 01-0020 |
| 32 | | 1 | SEE PAGE 01-0020 [A] INCLUDED IN CYLINDER HEAD GASKET KIT 1 |

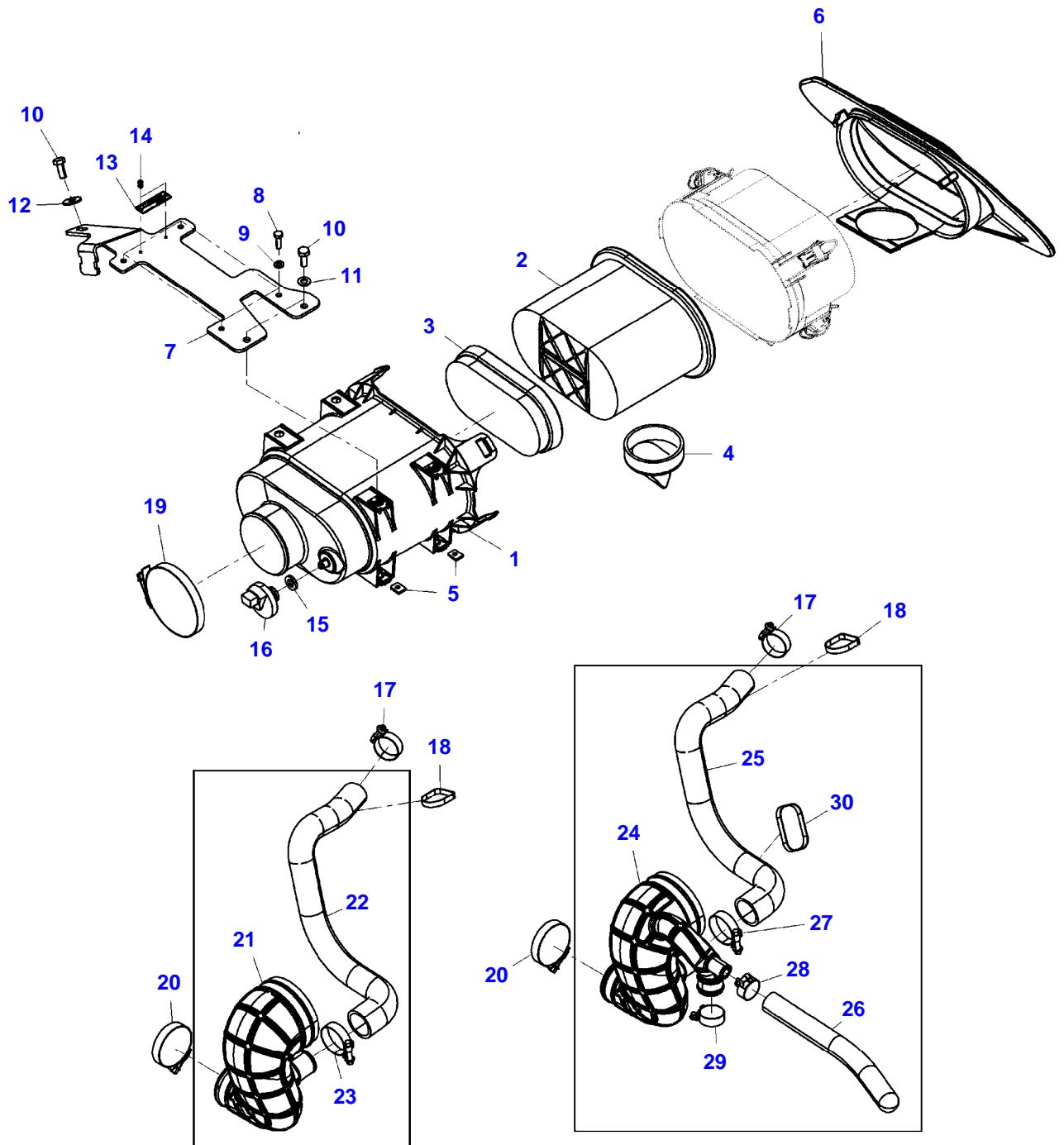
FENDT 209V VARIO S3 (WAM234XXX00F00101-99999)
AP20A2437

AP20A2437



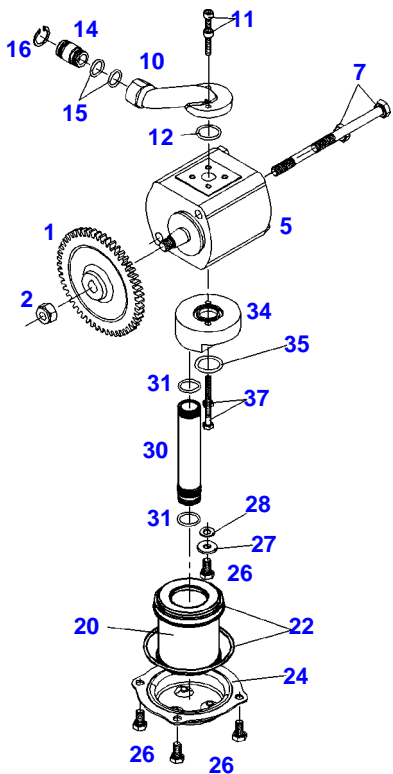
| Item | Part Number | Qty | Description Comments |
|------|-------------|-----|-------------------------|
| 1 | V837086121 | 1 | ENGINE WIRE HARNESS |
| 2 | V837070201 | 2 | PRESSURE SENSOR |
| 3 | V836667732 | 2 | TEMPERATURE SENSOR |
| 4 | V837070189 | 2 | SPEED SENSOR |
| 5 | V614601718 | 2 | O-RING (4) |
| 6 | V837073357 | 1 | ENGINE CONTROL UNIT |
| 7 | V837073934 | 1 | BOOST PRESSURE SENSOR |
| 8 | V837074507 | 1 | TEMPERATURE SENSOR |
| 9 | V837069047 | 2 | RELAY |
| 10 | V602060610 | 2 | RETAINER CLAMP |
| 11 | V837073594 | 1 | WIRE |
| 12 | V837073595 | 1 | WIRE |
| 13 | V837073596 | 1 | WIRE |
| 14 | V836662501 | 1 | FUSE (13) |
| 15 | V651754720 | 10 | CABLE TIE |
| 16 | V581804182 | 2 | HEX SOCKET SCREW |
| 17 | V500150642 | 2 | WASHER |
| 18 | V504600602 | 2 | NUT |
| 19 | V500050642 | 2 | WASHER |

FENDT 209V VARIO S3 (WAM234XXX00F00101-99999)
18114946-M-1



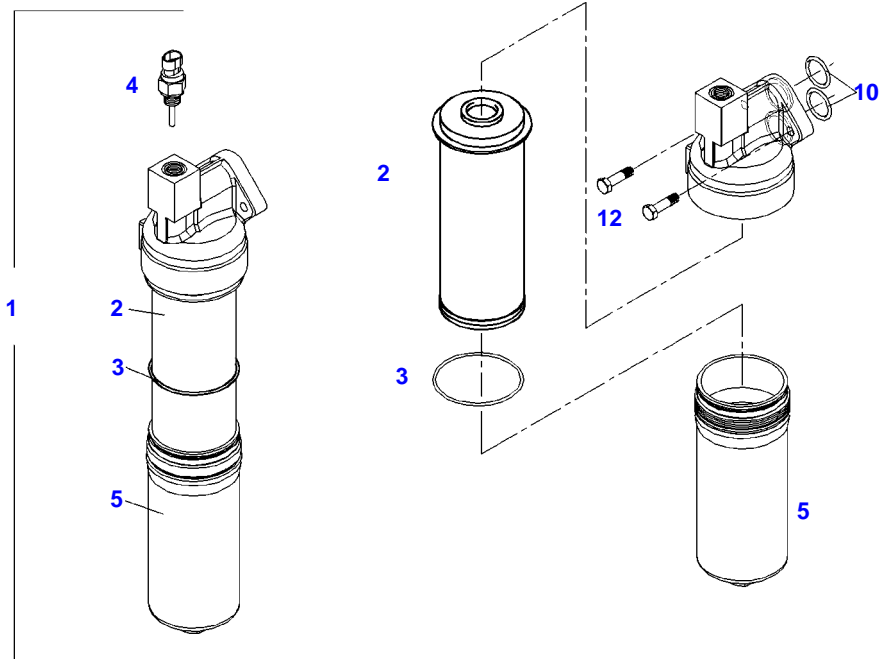
18114946-M-1

| Item | Part Number | Qty | Description Comments | Technical Specification |
|------|-------------|-----|---|-------------------------|
| 1 | 72441307 | 1 | AIR FILTER INCLUDES ITEMS 2-5 | |
| 2 | 72474352 | 1 | FILTER CARTRIDGE | |
| 3 | 72474353 | 1 | SAFETY CARTRIDGE | |
| 4 | 72441351 | 1 | DUST DISCHARGE VALVE | |
| 5 | 72474602 | 4 | U-CLAMP | |
| 6 | 72629003 | 1 | AIR DUCT | |
| 7 | 72628818 | 1 | HOLDER | |
| 8 | 72315631 | 4 | HEXAGONAL HEAD BOLT | DIN 933 M6 X 20-8.8A3L |
| 9 | 72311787 | 4 | DISC | DIN 125-6,4-ST.A3L |
| 10 | 72315650 | 3 | HEXAGONAL HEAD BOLT | DIN 933 M8 X 20-8.8A3L |
| 11 | 72311788 | 2 | DISC | DIN 125-8,4-ST.A3L |
| 12 | 72311824 | 1 | DISC | DIN9021-8,4-140HV-A3L |
| 13 | 72628761 | 1 | IDENTIFICATION PLATE | |
| 14 | 72315252 | 2 | POP RIVET | 3X8 |
| 15 | 72311896 | 1 | FRICTION WASHER | |
| 16 | 72379889 | 1 | MAINTENANCE SWITCH | |
| 17 | 72311168 | 1 | HOSE CLIP | |
| 18 | 72316913 | 1 | CABLE STRAP | FWN 66650 B360X7,5-SW |
| 19 | 72311172 | 1 | HOSE CLIP | |
| 20 | 72311163 | 1 | HOSE CLIP | |
| 21 | 72629020 | 1 | AIR INTAKE HOSE WITHOUT BRAKIN SYSTEM | |
| 22 | 72629100 | 1 | HOSE WITHOUT BRAKIN SYSTEM | |
| 23 | 72311162 | 1 | HOSE CLIP WITHOUT BRAKIN SYSTEM | |
| 24 | 72629021 | 1 | AIR INTAKE HOSE WITH AIR BRAKING EQUIPMENT | |
| 25 | 72629100 | 1 | HOSE WITH AIR BRAKING EQUIPMENT | |
| 26 | 72629101 | 1 | HOSE WITH AIR BRAKING EQUIPMENT | |
| 27 | 72311162 | 1 | HOSE CLIP WITH AIR BRAKING EQUIPMENT | |
| 28 | 72311167 | 1 | HOSE CLIP WITH AIR BRAKING EQUIPMENT | |
| 29 | 72311167 | 1 | HOSE CLIP WITH AIR BRAKING EQUIPMENT | |
| 30 | 72316913 | 1 | CABLE STRAP WITH AIR BRAKING EQUIPMENT | FWN 66650 B360X7,5-SW |



037111

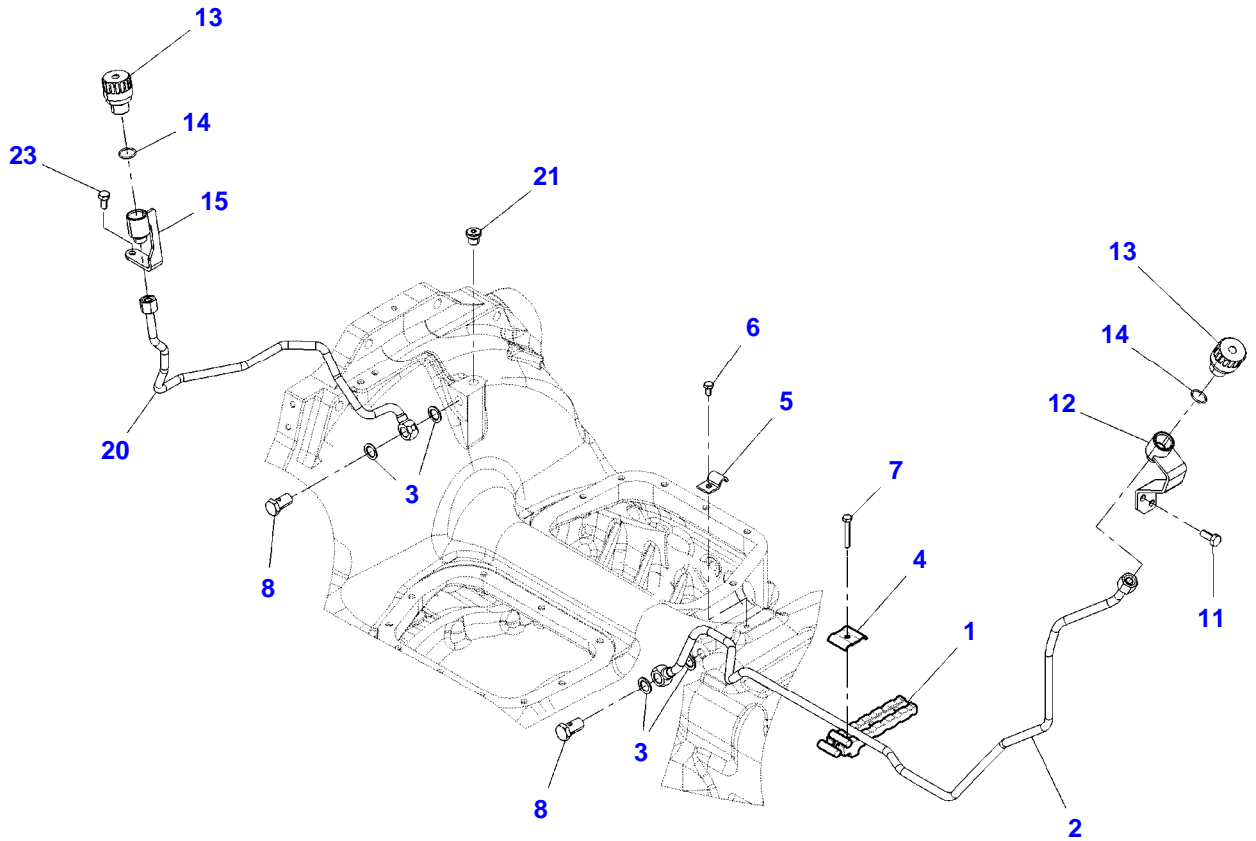
| Item | Part Number | Qty | Description Comments | Technical Specification |
|------|-------------|-----|--|--------------------------|
| | | | GEAR BOX LUBRICATION SUCTION FILTER | |
| 1 | 72441046 | 1 | SPUR GEAR NUMBER OF TEETH/SPINES 52 | |
| 2 | 72313326 | 1 | NUT | DIN 980-VM12X1,5-8-A3L |
| 5 | | | SEE GEAR PUMP | |
| 7 | 72418393 | 2 | HEXAGONAL HEAD BOLT | DIN 931 M10X100 GWA-1 |
| 10 | 72441048 | 1 | COMPRESSION FLANGE | |
| 11 | 72315465 | 2 | SOCKET HEAD BOLT | DIN 912 M6X25-8.8 |
| 12 | 72313447 | 1 | O-RING | 22,3X2,4-NBR 70-FWN56402 |
| 14 | 72441047 | 1 | PIPE | |
| 15 | 72492558 | 2 | O-RING | 15,3X2,4-FPM 70 |
| 16 | 72375602 | 1 | LOCK WASHER | DIN 472-22X1 |
| 20 | 72474644 | 1 | SUCTION FILTER INCLUDES ITEMS 22 | |
| 22 | 72441052 | 1 | SEAL KIT | |
| 24 | 72441051 | 1 | COVER | |
| 26 | 72315642 | 4 | HEXAGONAL HEAD BOLT | DIN 933 M8 X 16-8.8A3L |
| | 72315648 | 1 | HEXAGONAL HEAD BOLT | DIN 933 M8X20-8.8 |
| 27 | 72311858 | 1 | DISC | |
| 28 | 72311788 | 1 | DISC | DIN 125-8,4-ST.A3L |
| 30 | 72441049 | 1 | AIR INTAKE PORT | |
| 31 | 72376467 | 2 | O-RING | 20,3X2,4-FPM 70 FWN56402 |
| 34 | 72441050 | 1 | ADAPTER | |
| 35 | 72313452 | 1 | O-RING | 24,2X3-FPM 70 FWN56402 |
| 37 | 72315635 | 2 | HEXAGONAL HEAD BOLT | DIN 933 M6X35-8.8A3L |



037101

| Item | Part Number | Qty | Description Comments | Technical Specification |
|------|-------------|-----|---------------------------------|-------------------------|
| | | | PRESSURE FILTER | |
| 1 | 72425778 | 1 | FILTER INCLUDES ITEMS 2-5 | |
| 2 | 72311028 | 1 | FILTER ELEMENT | |
| 3 | 72313495 | 1 | O-RING | 76X2,5-NBR 70 FWN56402 |
| 4 | | | | |
| | | | SEE ELECTRICAL SYSTEM SWITCH | |
| 5 | 72425928 | 1 | HOUSING | |
| 10 | 72313459 | 2 | O-RING | 28X3-NBR 70 FWN56402 |
| 12 | 72315655 | 2 | HEXAGONAL HEAD BOLT | DIN 933 M8X30-8.8 |

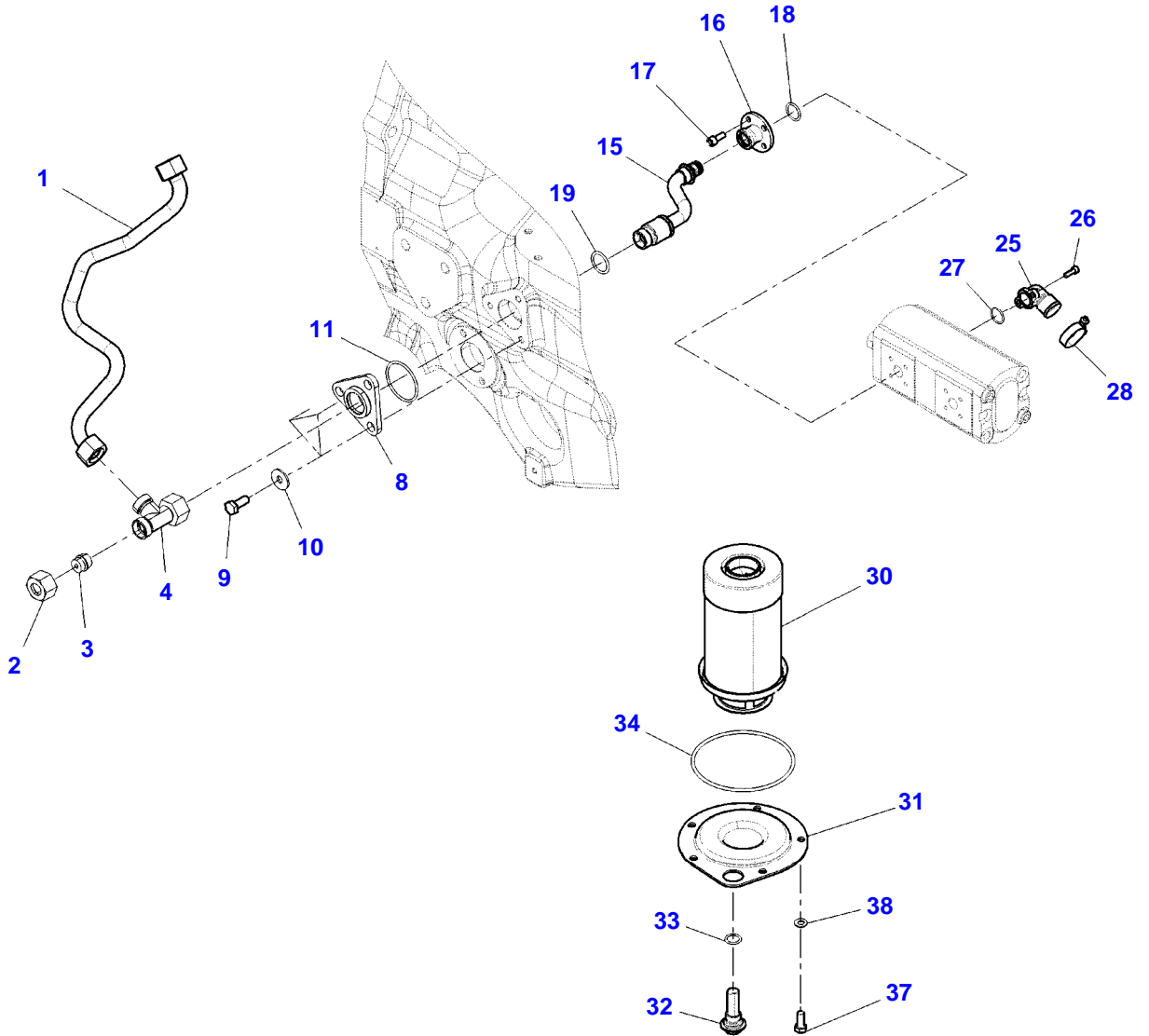
FENDT 209V VARIO S3 (WAM234XXX00F00101-99999)
17863080-M-1



17863080-M-1

| Item | Part Number | Qty | Description Comments | Technical Specification |
|------|-------------|-----|--|----------------------------|
| 1 | 72628512 | 1 | SPACER | |
| 2 | 72629028 | 1 | TUBE | |
| 3 | 72608905 | 4 | GASKETS | 14X22X1,5 |
| 4 | 72311266 | 1 | CLIP | |
| 5 | 72455432 | 1 | CLAMP | |
| 6 | 72315629 | 1 | HEXAGONAL HEAD BOLT | DIN 933 M6 X 12-8.8A3L |
| 7 | 72315636 | 1 | HEXAGONAL HEAD BOLT | DIN 933 M6X40-8.8A3L |
| 8 | 72315808 | 2 | BANJO BOLT | DIN 7643-10-3-A3L |
| 11 | 72315650 | | HEXAGONAL HEAD BOLT | DIN 933 M8 X 20-8.8A3L |
| 12 | 72628771 | 1 | HOLDER | |
| 13 | 72474412 | 2 | VENTILATION FILTER INCLUDES ITEMS 14 | |
| 14 | 72313441 | 2 | O-RING | 18,72X2,62-NBR 70 FWN56402 |
| 15 | 72628831 | 1 | HOLDER | |
| 20 | 72629027 | 1 | TUBE | |
| 21 | 72427121 | 1 | SCREW | DIN908*VSTIM14X1,5-ED-FPM |
| 23 | 72315642 | 1 | HEXAGONAL HEAD BOLT | DIN 933 M8 X 16-8.8A3L |

FENDT 209V VARIO S3 (WAM234XXX00F00101-99999)
17876367-M-1



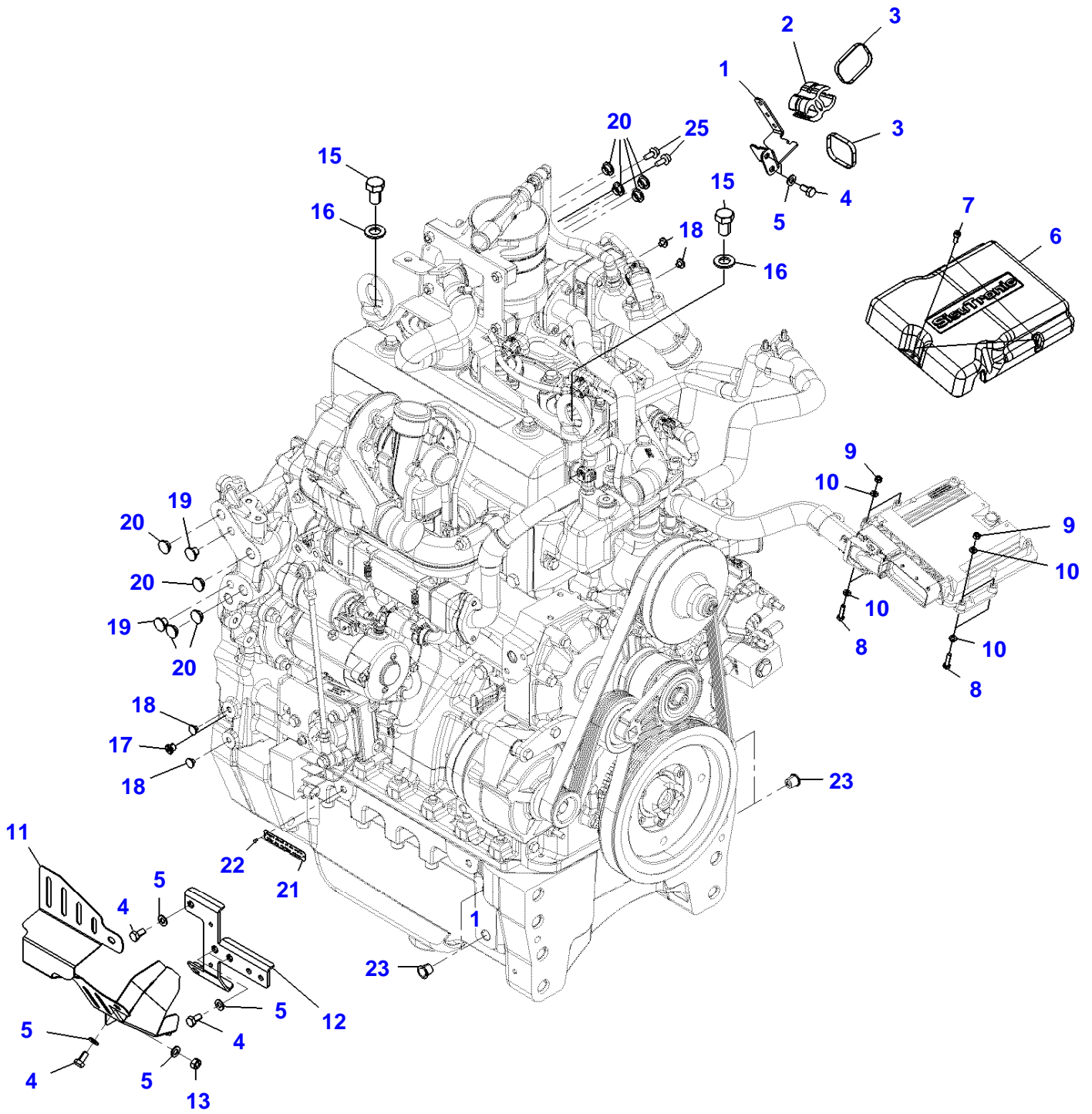
17876367-M-1

OIL TANK

| Item | Part Number | Qty | Description Comments | Technical Specification |
|------|-------------|-----|----------------------------------|--------------------------------|
| 1 | 72628645 | 1 | BOOST PIPE | |
| 2 | 72313367 | 1 | CONNECTING NUT | DIN3870 AL15/M22X1.5-9S20K A3L |
| 3 | 72314781 | 1 | PLUG NECK | FWN 65713-15L-A3L |
| 4 | 72438335 | 1 | ADJUSTABLE L-THREADED CONNECTION | |
| 8 | 72441579 | 1 | FLANGE | |
| 9 | 72315650 | 3 | HEXAGONAL HEAD BOLT | DIN 933 M8 X 20-8.8A3L |
| 10 | 72311824 | 3 | DISC | DIN9021-8,4-140HV-A3L |
| 11 | 72376542 | 1 | O-RING | 42X2,5-FPM 80-FWN56402 |
| 15 | 72628644 | 1 | BOOST PIPE | |
| 16 | 72475625 | 1 | COMPRESSION FLANGE | |
| 17 | 72315460 | 4 | SOCKET HEAD BOLT | DIN 912 M6X16-8.8 |
| 18 | 72313441 | 1 | O-RING | 18,72X2,62-NBR 70 FWN56402 |
| 19 | 72376476 | 1 | O-RING | 22X3-NBR 70 FWN56402 |
| 25 | 72475631 | 1 | SUCTION FLANGE | |
| 26 | 72315463 | 2 | SOCKET HEAD BOLT | DIN 912-M6X18-8.8-A3L |
| 27 | 72313447 | 1 | O-RING | 22,3X2,4-NBR 70-FWN56402 |
| 28 | 72311168 | 1 | HOSE CLIP | |
| 30 | 72436468 | 1 | OIL FILTER ELEMENT | |
| 31 | 72475637 | 1 | COVER INCLUDES ITEMS 34 | |
| 32 | 72436853 | 1 | SCREW INCLUDES ITEMS 33 | |
| 33 | 72493820 | 1 | O-RING | |
| 34 | 72474606 | 1 | O-RING | 117X4 MM |
| 37 | 72315650 | 5 | HEXAGONAL HEAD BOLT | DIN 933 M8 X 20-8.8A3L |
| 38 | 72311788 | 5 | DISC | DIN 125-8,4-ST.A3L |

| Item | Part Number | Qty | Description Comments | Technical Specification |
|-------------|--------------------|------------|---------------------------------|--------------------------------|
| 1 | V834277842 | 1 | ENGINE | 33 AWI |
| 2 | V864291641V | 1 | LONG BLOCK ENGINE | 33 AWI |
| 3 | V864291642X | 1 | SHORT BLOCK ENGINE | 33 AWI |
| 4 | V837079921 | 1 | LABEL ENGINE TYPE PLATE | |

FENDT 209V VARIO S3 (WAM234XXX00F00101-99999)
18140872-M-3

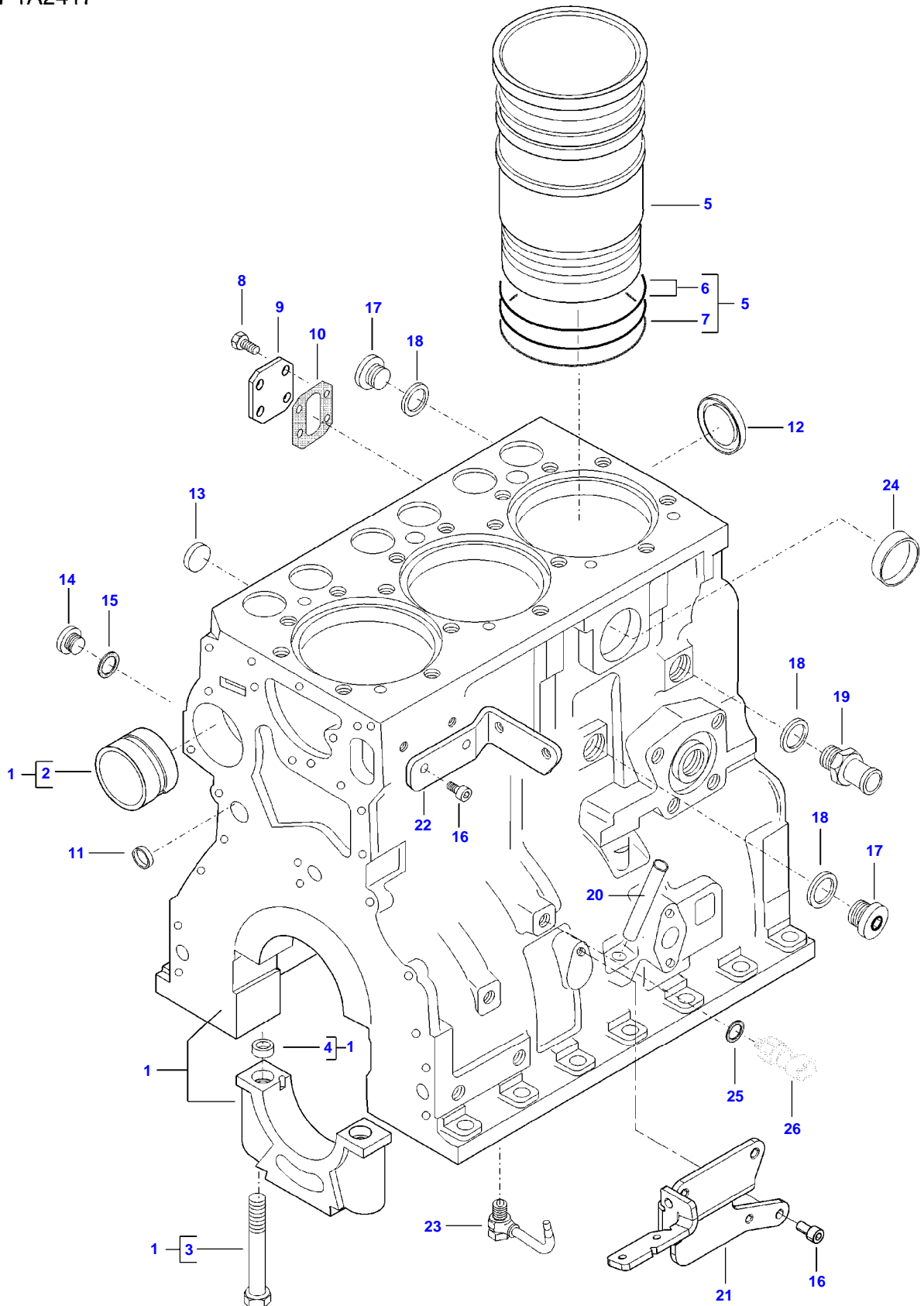


18140872-M-3

| Item | Part Number | Qty | Description Comments | Technical Specification |
|------|-------------|-----|-------------------------|---------------------------|
| 1 | 72628814 | 1 | HOLDER | |
| 2 | 72486891 | 1 | HOLDER | |
| 3 | 72316913 | 2 | CABLE STRAP | FWN 66650 B360X7,5-SW |
| 4 | 72315642 | 6 | HEXAGONAL HEAD BOLT | DIN 933 M8 X 16-8.8A3L |
| 5 | 72311788 | 7 | DISC | DIN 125-8,4-ST.A3L |
| 6 | 72605912 | 1 | COVERING | EDC |
| 7 | 72612487 | 3 | SOCKET HEAD BOLT | DIN 912 M6X16-8.8 A3L |
| 8 | 72315633 | 4 | HEXAGONAL HEAD BOLT | DIN 933 M6X25-8.8A3L |
| 9 | 72313266 | 4 | NUT | DIN 934 M6-8A3L |
| 10 | 72311787 | 8 | DISC | DIN 125-6,4-ST.A3L |
| 11 | 72609473 | 1 | COVER | RE |
| 12 | 72604736 | 1 | RETAINING SHEET METAL | RE |
| 13 | 72313268 | 1 | NUT | DIN 934 M8-8A3L |
| 15 | 72315730 | 2 | HEXAGONAL HEAD BOLT | DIN 933 M16X25-8.8A3L |
| 16 | 72311793 | 2 | DISC | DIN 125-17-ST.A3L |
| 17 | 72314744 | 1 | LOCKING PLUG | F4 |
| 18 | 72314743 | 4 | LOCKING PLUG | F2 |
| 19 | 72314765 | 2 | LOCKING PLUG | |
| 20 | 72314748 | 8 | LOCKING PLUG | SW-F11 |
| 21 | 72452403 | 1 | MARKING PLATE | |
| 22 | 72313751 | 2 | SLOTTED PIN | DIN 1476-3X5-AL |
| 23 | 72314742 | 4 | PROTECTIVE PLUG | UNIV. |
| 25 | ACW0775830 | 2 | HEXAGON FLANGE BOLT | EN1665 M8X1.25X20-8 VDA30 |

FENDT 209V VARIO S3 (WAM234XXX00F00101-99999)
AP1A2417

AP1A2417

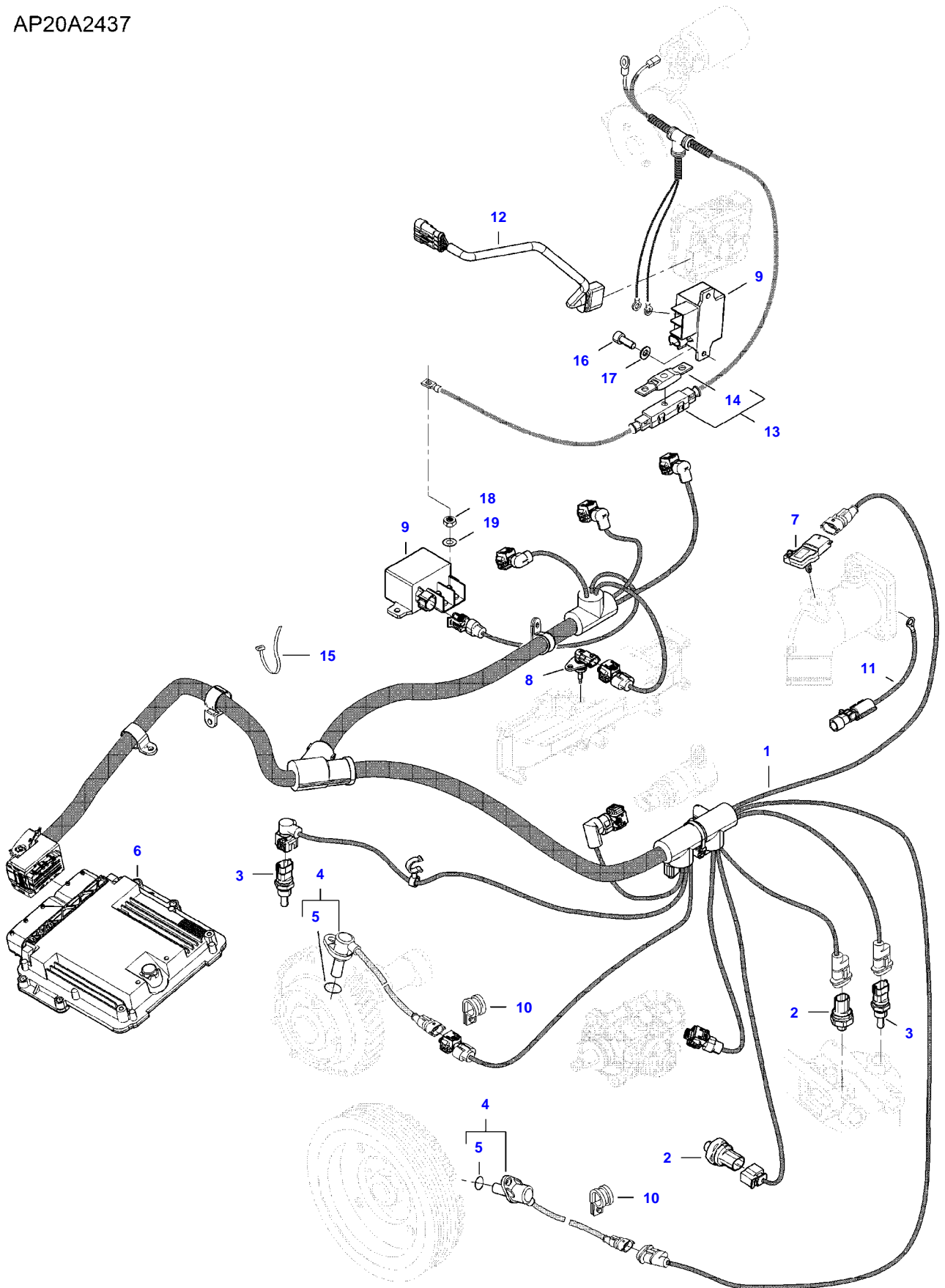


CYLINDER BLOCK

| Item | Part Number | Qty | Description Comments |
|------|-------------|-----|--|
| 1 | V837070453 | 1 | CYLINDER BLOCK |
| 2 | V836866069 | 1 | CAMSHAFT BEARING BUSHING (1) |
| 3 | V835329030 | 8 | HEX CAP SCREW (1) |
| 4 | V836214478 | 8 | GUIDE SLEEVE (1) |
| 5 | V836673191 | 3 | LINER |
| 6 | V836647502 | 6 | CYLINDER LINER O-RING (5) [B] |
| 7 | V836647503 | 3 | CYLINDER LINER O-RING (5) [B] |
| 8 | V528801362 | 4 | HEX CAP SCREW |
| 9 | V836866957 | 1 | COVER |
| 10 | V836866958 | 1 | GASKET [B] |
| 11 | V640016016 | 4 | CUP PLUG [B] |
| 12 | V836529872 | 1 | PLUG |
| 13 | V640016018 | 1 | CUP PLUG |
| 14 | V640325110 | 3 | SCREW PLUG |
| 15 | V615871014 | 3 | SEALING WASHER [B] |
| 16 | V581804580 | 5 | HEX SOCKET SCREW |
| 17 | V640325018 | 2 | PLUG |
| 18 | V615881824 | 3 | SEALING WASHER [B] |
| 19 | V836119837 | 1 | HOSE COUPLER |
| 20 | V836666910 | 1 | OIL DIPSTICK GUIDE PIPE |
| 21 | V837086143 | 1 | FUEL FILTER BRACKET |
| 22 | V837074723 | 1 | BRACKET |
| 23 | V837074224 | 3 | PISTON COOLING JET |
| 24 | V640016040 | 1 | CUP PLUG |
| 25 | V615871016 | 1 | SEALING WASHER [B] |
| 26 | | 1 | SEE PAGE 01-0020 [B] INCLUDED IN COMPLETE ENGINE GASKET KIT 2 |

FENDT 209V VARIO S3 (WAM234XXX00F00101-99999)
AP20A2437

AP20A2437



| Item | Part Number | Qty | Description Comments |
|------|-------------|-----|-------------------------|
| 1 | V837086121 | 1 | ENGINE WIRE HARNESS |
| 2 | V837070201 | 2 | PRESSURE SENSOR |
| 3 | V836667732 | 2 | TEMPERATURE SENSOR |
| 4 | V837070189 | 2 | SPEED SENSOR |
| 5 | V614601718 | 2 | O-RING (4) |
| 6 | V837073357 | 1 | ENGINE CONTROL UNIT |
| 7 | V837073934 | 1 | BOOST PRESSURE SENSOR |
| 8 | V837074507 | 1 | TEMPERATURE SENSOR |
| 9 | V837069047 | 2 | RELAY |
| 10 | V602060610 | 2 | RETAINER CLAMP |
| 11 | V837073594 | 1 | WIRE |
| 12 | V837073595 | 1 | WIRE |
| 13 | V837073596 | 1 | WIRE |
| 14 | V836662501 | 1 | FUSE (13) |
| 15 | V651754720 | 10 | CABLE TIE |
| 16 | V581804182 | 2 | HEX SOCKET SCREW |
| 17 | V500150642 | 2 | WASHER |
| 18 | V504600602 | 2 | NUT |
| 19 | V500050642 | 2 | WASHER |

Thank you so much for reading.
Please click the “Buy Now!”
button below to download the
complete manual.



After you pay.

You can download the most
perfect and complete manual in
the world immediately.

Our support email:

ebooklibonline@outlook.com