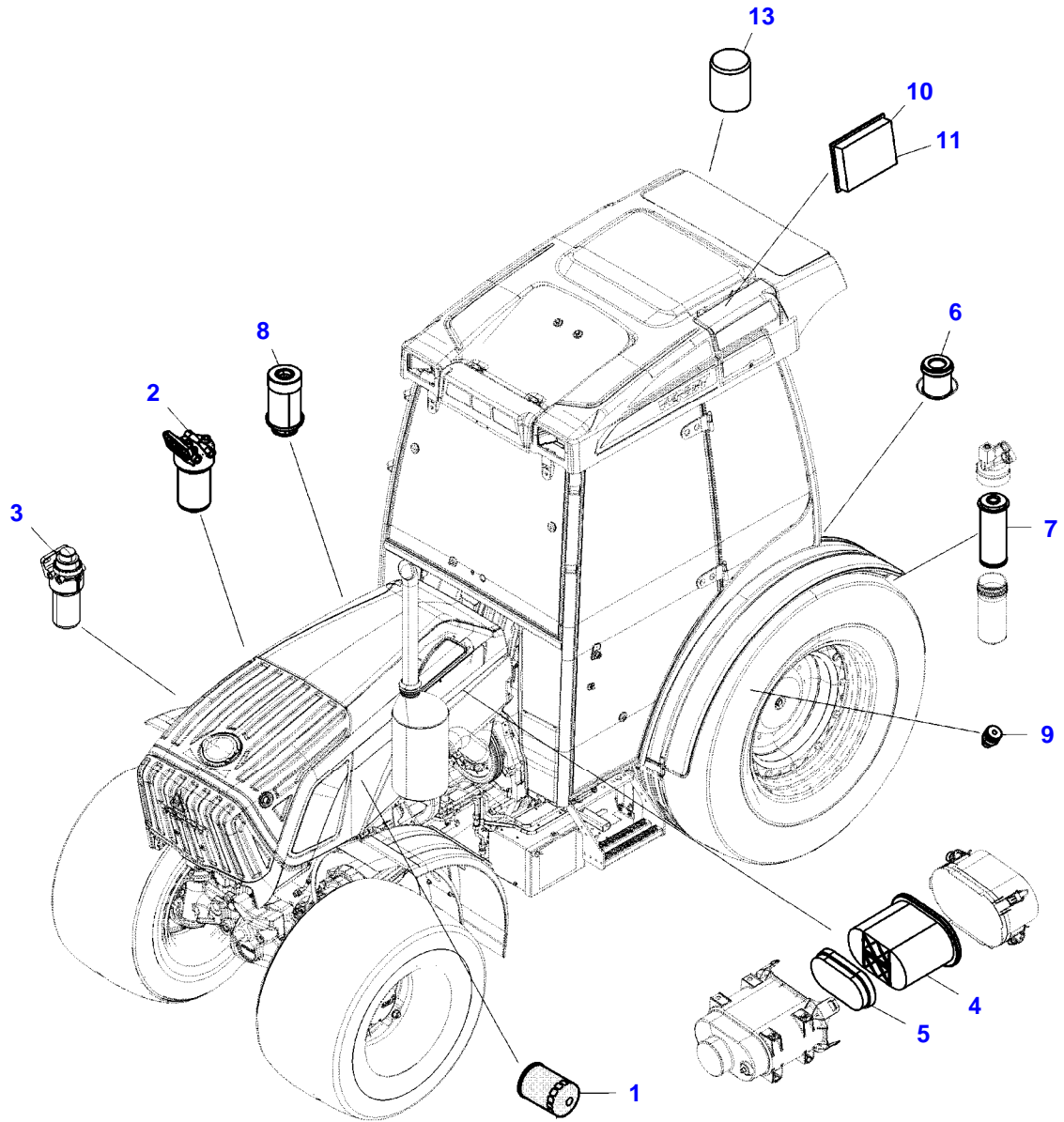


Page Number	Page Title	Page Reference
01-000-TOC	ENGINE, FUEL AND EXHAUST SYSTEM	01-000-TOC
02-000-TOC	AXLES	02-000-TOC
03-000-TOC	STEERING SYSTEM	03-000-TOC
04-000-TOC	DRIVE TRAIN SYSTEM	04-000-TOC
05-000-TOC	COMPRESSED AIR SYSTEM	05-000-TOC
06-000-TOC	HYDRAULIC SYSTEM	06-000-TOC
07-000-TOC	ELECTRICAL SYSTEM	07-000-TOC
08-000-TOC	CAB	08-000-TOC
09-000-TOC	AIR CONDITIONING AND HEATING SYSTEM	09-000-TOC
10-000-TOC	CHASSIS	10-000-TOC
11-000-TOC	WHEELS	11-000-TOC
12-000-TOC	IMPLEMENT LIFT SYSTEM FRONT	12-000-TOC
13-000-TOC	IMPLEMENT LIFT SYSTEM REAR	13-000-TOC
14-000-TOC	LINKAGE	14-000-TOC
15-000-TOC	ACCESSORIES	15-000-TOC

Page Number	Page Title	Page Reference
01-0001	FILTERS - OVERVIEW	2216887
01-0002	ENGINE ASSEMBLIES	2210490
01-0003	ENGINE - RETAINER	2219287
01-0004	CYLINDER BLOCK	2210499
01-0005	TIMING GEARS AND HOUSING	2211025
01-0006	FLYWHEEL AND FLYWHEEL HOUSING	2211109
01-0007	CRANKSHAFT AND PISTONS	2211111
01-0008	CAMSHAFT AND VALVE MECHANISM	2211113
01-0009	CYLINDER HEAD	2211161
01-0010	VALVE ROCKER COVER	2211287
01-0011	INTAKE MANIFOLD	2211619
01-0012	TURBOCHARGER AND EXHAUST MANIFOLD	2215178
01-0013	EXHAUST GAS RECIRCULATION (EGR)	2215348
01-0014	OIL PUMP AND SUMP	2215349
01-0015	OIL COOLER AND FILTER	2215352
01-0016	CLOSED CRANKCASE VENTILATION (CCV)	2215412
01-0017	COOLANT PUMP AND THERMOSTAT	2215455
01-0018	FUEL INJECTION SYSTEM	2215531
01-0019	FUEL FILTERS	2216167
01-0020	ELECTRONIC ENGINE MANAGEMENT	2216543
01-0021	ALTERNATOR	2216544
01-0022	STARTER MOTOR	2216545
01-0023	ENGINE OVERHAUL PARTS	2216560
01-0024	SPECIAL OVERHAUL PARTS	2327195
01-0025	AIR CLEANER	2218216
01-0026	WATER COOLED RADIATOR	2217031
01-0027	EXPANSION TANK	2217032
01-0028	BOOST INTERCOOLING	2218549
01-0029	FUEL TANK	2218108
01-0030	FUEL LINES	2218109
01-0031	EXHAUST - EXHAUST AFTER-TREATMENT LOWER	2218459
01-0032	EXHAUST - EXHAUST AFTER-TREATMENT TOP	2218460
01-0033	VISCO FAN	2216897
01-0034	VISCO FAN - REVERSIBLE FAN	2216898
01-0035	VALVE BLOCK ASSEMBLY - REVERSIBLE FAN	2256136
01-0036	SPEED CONTROL FOOT OPERATION	2218920
01-0037	SPEED CONTROL MANUAL OPERATION	2218900
01-0038	ENGINE PRE-HEATER	2218943

FENDT 210V VARIO S3 (WAM235XXX00F00101-99999)
18067842-M-1



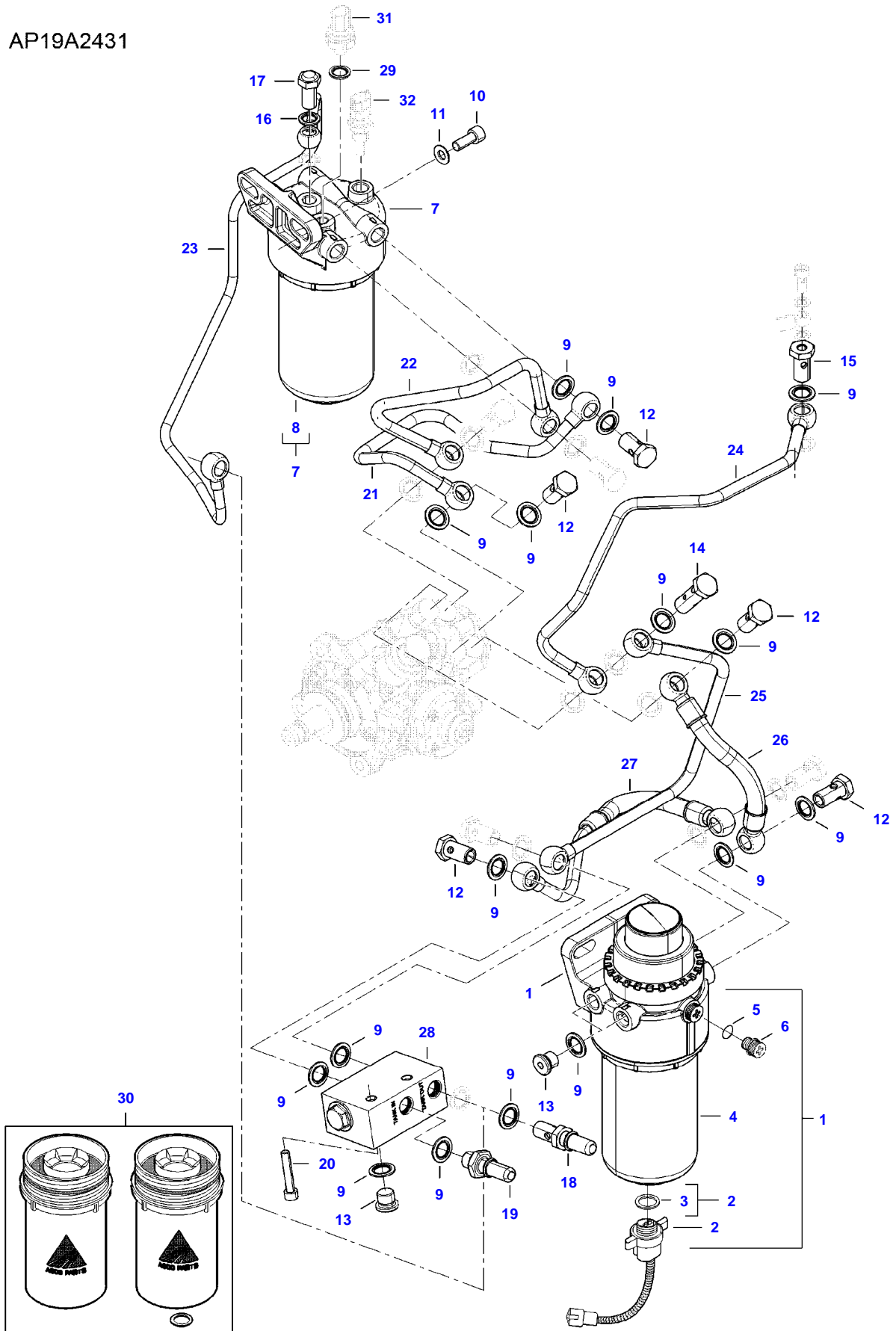
18067842-M-1

Item	Part Number	Qty	Description Comments
1	V836479591	1	ENGINE OIL FILTER SEE PAGE 01-0015
2	V837086099	1	MAIN FUEL FILTER SEE PAGE 01-0019
3	V837086172	1	FUEL PREFILTER SEE PAGE 01-0019
4	72474352	1	FILTER CARTRIDGE SEE PAGE 01-0025
5	72474353	1	SAFETY CARTRIDGE SEE PAGE 01-0025
6	72474644	1	SUCTION FILTER TRANSMISSION SEE PAGE 04-0029
7	72311028	1	FILTER ELEMENT TRANSMISSION OIL PRESSURE SEE PAGE 04-0034
8	72436468	1	OIL FILTER ELEMENT OIL TANK SEE PAGE 13-0007
9	72474412	1	VENTILATION FILTER OIL TANK SEE PAGE 13-0006
10	72477670	1	FILTER FRESH AIR
11	72481531	1	FILTER ACTIVE COAL FILTER
13	72437515	1	CARTRIDGE JET AIR DRIER

Item	Part Number	Qty	Description Comments
1	V836479591	1	ENGINE OIL FILTER
2	V836859699	1	OIL COOLER
3	V836862235	1	SEAL (2)
4	V640004004	1	PLUG (2)
5	V836859700	1	UNION
6	V602079516	4	HOSE CLIP
7	V836859899	1	RUBBER ELBOW
8	V615881822	1	SEALING WASHER [B]
9	V836673590	1	RUBBER HOSE
10	V836673588	1	PIPE
11	V641086015	1	STRAIGHT FITTING
12	V500050642	1	WASHER
13	V602074615	1	RETAINER CLAMP
14	V528801062	1	HEX CAP SCREW
15	V837091147	1	OIL PRESSURE CONTROL VALVE
16		1	NOT AVAILABLE AS SINGLE PART (15)
17	V836322190	1	GASKET (15) [B]
18	V837074289	1	COVER (15)
19	V528801382	2	HEX CAP SCREW (15)
20		1	NOT AVAILABLE AS SINGLE PART (15) [B] INCLUDED IN COMPLETE ENGINE GASKET KIT 2

FENDT 210V VARIO S3 (WAM235XXX00F00101-99999)
AP19A2431

AP19A2431

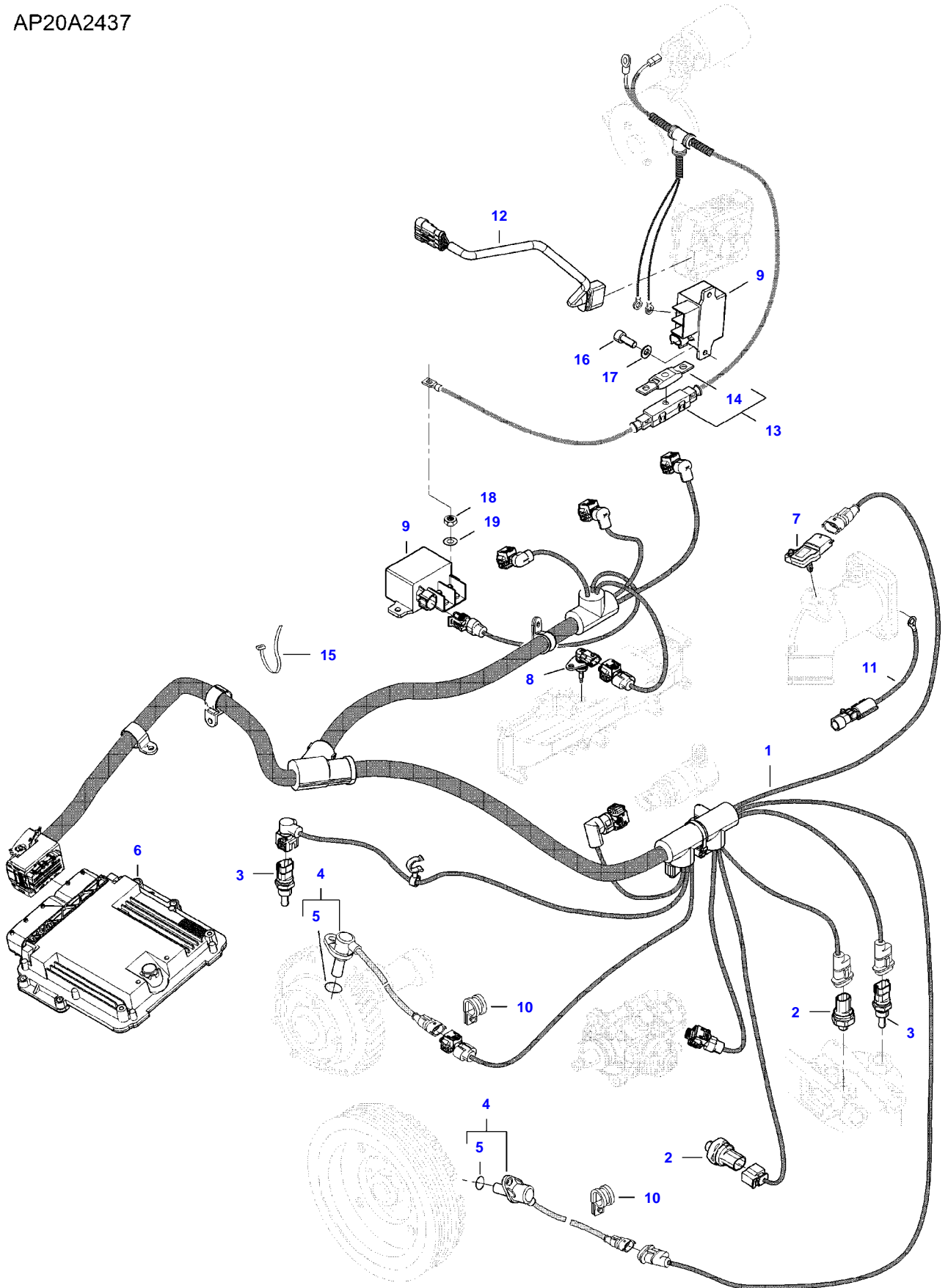


FUEL FILTERS

Item	Part Number	Qty	Description Comments
1	V837086172	1	FUEL PREFILTER
2	V837074054	1	FUEL FILTER WATER ALARM (1)
3	V837091271	1	SEAL (1),(2),(30)
4		1	NOT AVAILABLE AS SINGLE PART (1),(30)
5	V837079628	1	O-RING (1)
6	V837079627	1	BLEED SCREW (1)
7	V837086099	1	MAIN FUEL FILTER
8		1	NOT AVAILABLE AS SINGLE PART (7),(30)
9	V836684770	29	SEALING WASHER [A]
10	V581805022	4	HEX SOCKET SCREW
11	V500151052	4	WASHER
12	V640435010	9	BANJO BOLT
13	V640325014	3	PLUG
14	V640425010	1	DUAL BANJO BOLT
15	V836007420	1	BANJO BOLT
16	V836684769	2	SEALING WASHER [A]
17	V837074134	1	BANJO BOLT
18	V837074191	1	QUICK COUPLER
19	V837086171	1	QUICK COUPLER
20	V529801442	2	HEX CAP SCREW
21	V837074725	1	FUEL PIPE
22	V837074724	1	FUEL PIPE
23	V837086181	1	FUEL PIPE
24	V837086348	1	FUEL PIPE
25	V837086178	1	FUEL PIPE
26	V837086179	1	FUEL HOSE
27	V837086180	1	FUEL HOSE
28	V837086013	1	FLOW CONTROL VALVE
29	V615871016	1	SEALING WASHER [A]
30	V837091129	1	FUEL FILTER KIT
31		1	SEE PAGE 01-0020
32		1	SEE PAGE 01-0020 [A] INCLUDED IN CYLINDER HEAD GASKET KIT 1

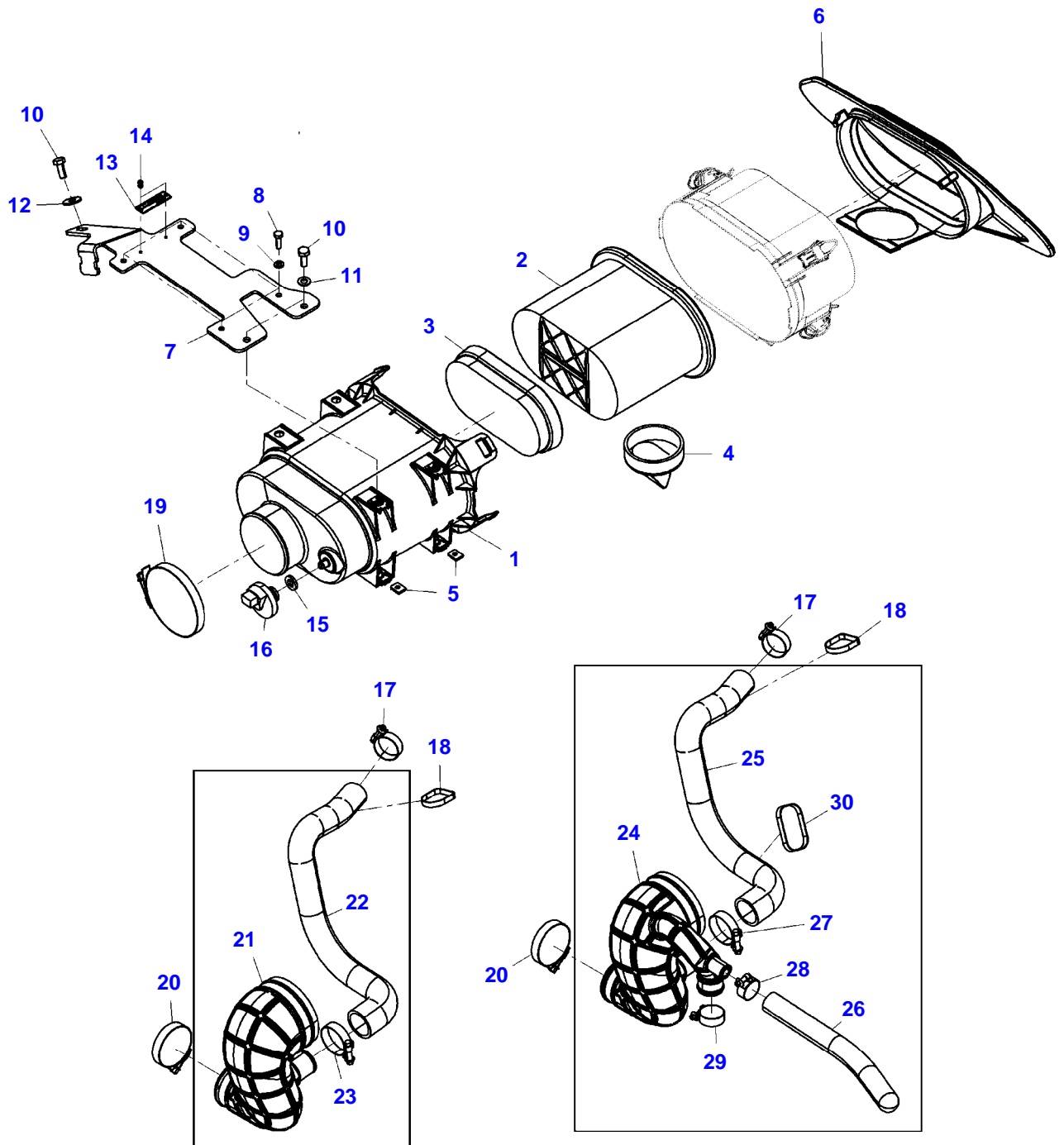
FENDT 210V VARIO S3 (WAM235XXX00F00101-99999)
AP20A2437

AP20A2437



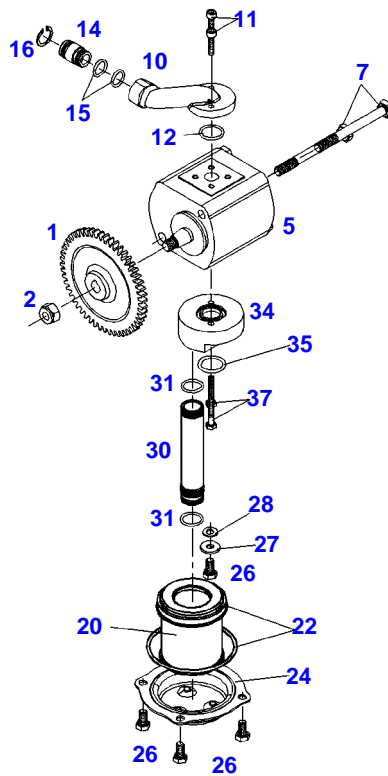
Item	Part Number	Qty	Description Comments
1	V837086121	1	ENGINE WIRE HARNESS
2	V837070201	2	PRESSURE SENSOR
3	V836667732	2	TEMPERATURE SENSOR
4	V837070189	2	SPEED SENSOR
5	V614601718	2	O-RING (4)
6	V837073357	1	ENGINE CONTROL UNIT
7	V837073934	1	BOOST PRESSURE SENSOR
8	V837074507	1	TEMPERATURE SENSOR
9	V837069047	2	RELAY
10	V602060610	2	RETAINER CLAMP
11	V837073594	1	WIRE
12	V837073595	1	WIRE
13	V837073596	1	WIRE
14	V836662501	1	FUSE (13)
15	V651754720	10	CABLE TIE
16	V581804182	2	HEX SOCKET SCREW
17	V500150642	2	WASHER
18	V504600602	2	NUT
19	V500050642	2	WASHER

FENDT 210V VARIO S3 (WAM235XXX00F00101-99999)
18114946-M-1



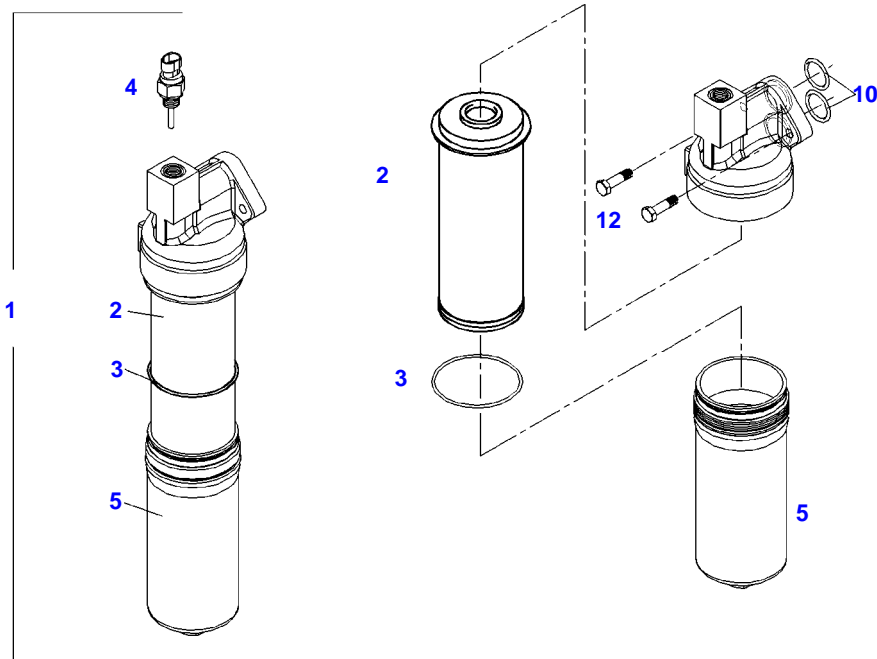
18114946-M-1

Item	Part Number	Qty	Description Comments	Technical Specification
1	72441307	1	AIR FILTER INCLUDES ITEMS 2-5	
2	72474352	1	FILTER CARTRIDGE	
3	72474353	1	SAFETY CARTRIDGE	
4	72441351	1	DUST DISCHARGE VALVE	
5	72474602	4	U-CLAMP	
6	72629003	1	AIR DUCT	
7	72628818	1	HOLDER	
8	72315631	4	HEXAGONAL HEAD BOLT	DIN 933 M6 X 20-8.8A3L
9	72311787	4	DISC	DIN 125-6,4-ST.A3L
10	72315650	3	HEXAGONAL HEAD BOLT	DIN 933 M8 X 20-8.8A3L
11	72311788	2	DISC	DIN 125-8,4-ST.A3L
12	72311824	1	DISC	DIN9021-8,4-140HV-A3L
13	72628761	1	IDENTIFICATION PLATE	
14	72315252	2	POP RIVET	3X8
15	72311896	1	FRICTION WASHER	
16	72379889	1	MAINTENANCE SWITCH	
17	72311168	1	HOSE CLIP	
18	72316913	1	CABLE STRAP	FWN 66650 B360X7,5-SW
19	72311172	1	HOSE CLIP	
20	72311163	1	HOSE CLIP	
21	72629020	1	AIR INTAKE HOSE WITHOUT BRAKIN SYSTEM	
22	72629100	1	HOSE WITHOUT BRAKIN SYSTEM	
23	72311162	1	HOSE CLIP WITHOUT BRAKIN SYSTEM	
24	72629021	1	AIR INTAKE HOSE WITH AIR BRAKING EQUIPMENT	
25	72629100	1	HOSE WITH AIR BRAKING EQUIPMENT	
26	72629101	1	HOSE WITH AIR BRAKING EQUIPMENT	
27	72311162	1	HOSE CLIP WITH AIR BRAKING EQUIPMENT	
28	72311167	1	HOSE CLIP WITH AIR BRAKING EQUIPMENT	
29	72311167	1	HOSE CLIP WITH AIR BRAKING EQUIPMENT	
30	72316913	1	CABLE STRAP WITH AIR BRAKING EQUIPMENT	FWN 66650 B360X7,5-SW



037111

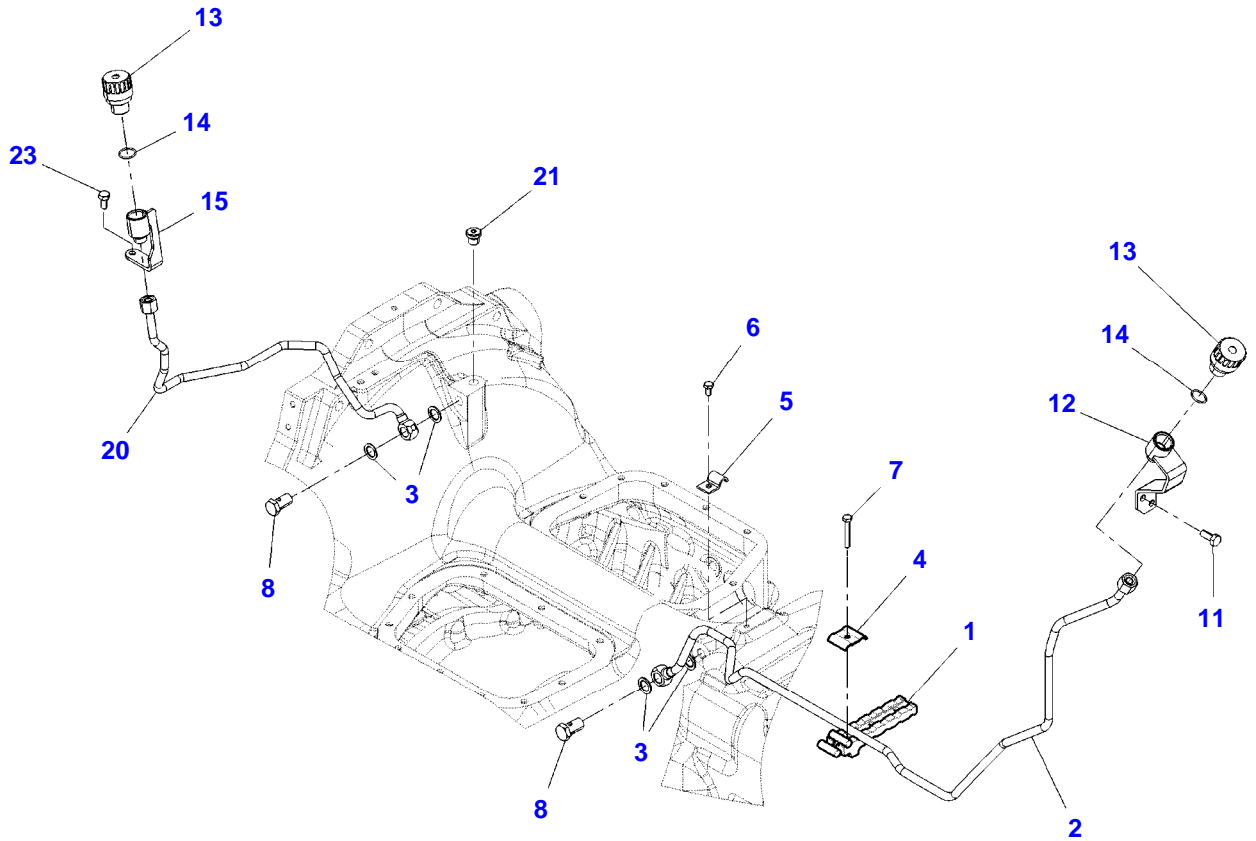
Item	Part Number	Qty	Description Comments	Technical Specification
GEAR BOX LUBRICATION SUCTION FILTER				
1	72441046	1	SPUR GEAR NUMBER OF TEETH/SPINES 52	
2	72313326	1	NUT	DIN 980-VM12X1,5-8-A3L
5			SEE GEAR PUMP	
7	72418393	2	HEXAGONAL HEAD BOLT	DIN 931 M10X100 GWA-1
10	72441048	1	COMPRESSION FLANGE	
11	72315465	2	SOCKET HEAD BOLT	DIN 912 M6X25-8.8
12	72313447	1	O-RING	22,3X2,4-NBR 70-FWN56402
14	72441047	1	PIPE	
15	72492558	2	O-RING	15,3X2,4-FPM 70
16	72375602	1	LOCK WASHER	DIN 472-22X1
20	72474644	1	SUCTION FILTER INCLUDES ITEMS 22	
22	72441052	1	SEAL KIT	
24	72441051	1	COVER	
26	72315642	4	HEXAGONAL HEAD BOLT	DIN 933 M8 X 16-8.8A3L
	72315648	1	HEXAGONAL HEAD BOLT	DIN 933 M8X20-8.8
27	72311858	1	DISC	
28	72311788	1	DISC	DIN 125-8,4-ST.A3L
30	72441049	1	AIR INTAKE PORT	
31	72376467	2	O-RING	20,3X2,4-FPM 70 FWN56402
34	72441050	1	ADAPTER	
35	72313452	1	O-RING	24,2X3-FPM 70 FWN56402
37	72315635	2	HEXAGONAL HEAD BOLT	DIN 933 M6X35-8.8A3L



037101

Item	Part Number	Qty	Description Comments	Technical Specification
			PRESSURE FILTER	
1	72425778	1	FILTER INCLUDES ITEMS 2-5	
2	72311028	1	FILTER ELEMENT	
3	72313495	1	O-RING	76X2,5-NBR 70 FWN56402
4				
			SEE ELECTRICAL SYSTEM SWITCH	
5	72425928	1	HOUSING	
10	72313459	2	O-RING	28X3-NBR 70 FWN56402
12	72315655	2	HEXAGONAL HEAD BOLT	DIN 933 M8X30-8.8

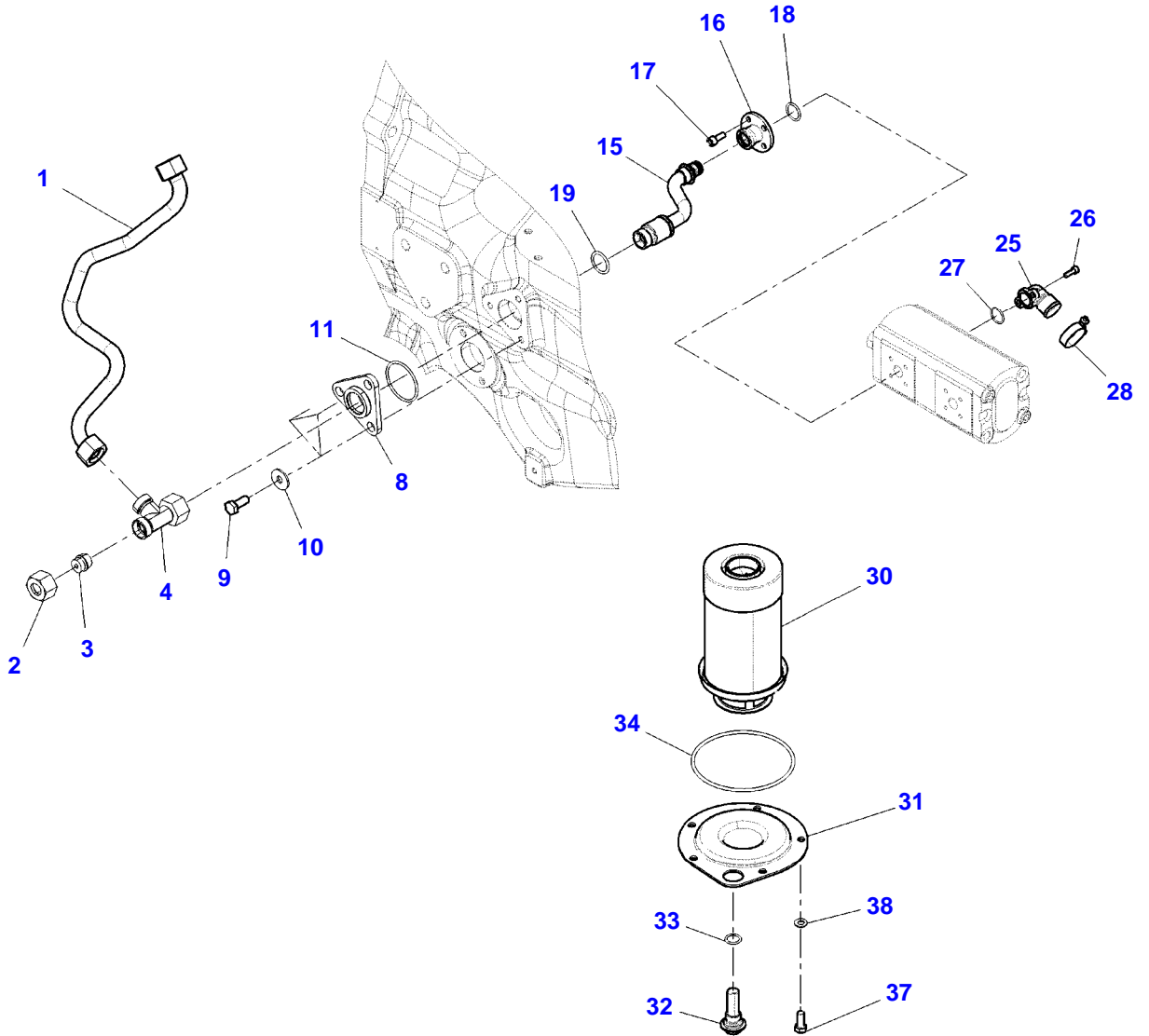
FENDT 210V VARIO S3 (WAM235XXX00F00101-99999)
17863080-M-1



17863080-M-1

Item	Part Number	Qty	Description Comments	Technical Specification
1	72628512	1	SPACER	
2	72629028	1	TUBE	
3	72608905	4	GASKETS	14X22X1,5
4	72311266	1	CLIP	
5	72455432	1	CLAMP	
6	72315629	1	HEXAGONAL HEAD BOLT	DIN 933 M6 X 12-8.8A3L
7	72315636	1	HEXAGONAL HEAD BOLT	DIN 933 M6X40-8.8A3L
8	72315808	2	BANJO BOLT	DIN 7643-10-3-A3L
11	72315650		HEXAGONAL HEAD BOLT	DIN 933 M8 X 20-8.8A3L
12	72628771	1	HOLDER	
13	72474412	2	VENTILATION FILTER INCLUDES ITEMS 14	
14	72313441	2	O-RING	18,72X2,62-NBR 70 FWN56402
15	72628831	1	HOLDER	
20	72629027	1	TUBE	
21	72427121	1	SCREW	DIN908*VSTIM14X1,5-ED-FPM
23	72315642	1	HEXAGONAL HEAD BOLT	DIN 933 M8 X 16-8.8A3L

FENDT 210V VARIO S3 (WAM235XXX00F00101-99999)
17876367-M-1



17876367-M-1

Item	Part Number	Qty	Description Comments	Technical Specification
1	72628645	1	BOOST PIPE	
2	72313367	1	CONNECTING NUT	DIN3870 AL15/M22X1.5-9S20K A3L
3	72314781	1	PLUG NECK	FWN 65713-15L-A3L
4	72438335	1	ADJUSTABLE L-THREADED CONNECTION	
8	72441579	1	FLANGE	
9	72315650	3	HEXAGONAL HEAD BOLT	DIN 933 M8 X 20-8.8A3L
10	72311824	3	DISC	DIN9021-8,4-140HV-A3L
11	72376542	1	O-RING	42X2,5-FPM 80-FWN56402
15	72628644	1	BOOST PIPE	
16	72475625	1	COMPRESSION FLANGE	
17	72315460	4	SOCKET HEAD BOLT	DIN 912 M6X16-8.8
18	72313441	1	O-RING	18,72X2,62-NBR 70 FWN56402
19	72376476	1	O-RING	22X3-NBR 70 FWN56402
25	72475631	1	SUCTION FLANGE	
26	72315463	2	SOCKET HEAD BOLT	DIN 912-M6X18-8.8-A3L
27	72313447	1	O-RING	22,3X2,4-NBR 70-FWN56402
28	72311168	1	HOSE CLIP	
30	72436468	1	OIL FILTER ELEMENT	
31	72475637	1	COVER INCLUDES ITEMS 34	
32	72436853	1	SCREW INCLUDES ITEMS 33	
33	72493820	1	O-RING	
34	72474606	1	O-RING	117X4 MM
37	72315650	5	HEXAGONAL HEAD BOLT	DIN 933 M8 X 20-8.8A3L
38	72311788	5	DISC	DIN 125-8,4-ST.A3L

FENDT 210V VARIO S3 (WAM235XXX00F00101-99999)
AP_ENGAS_3CYL

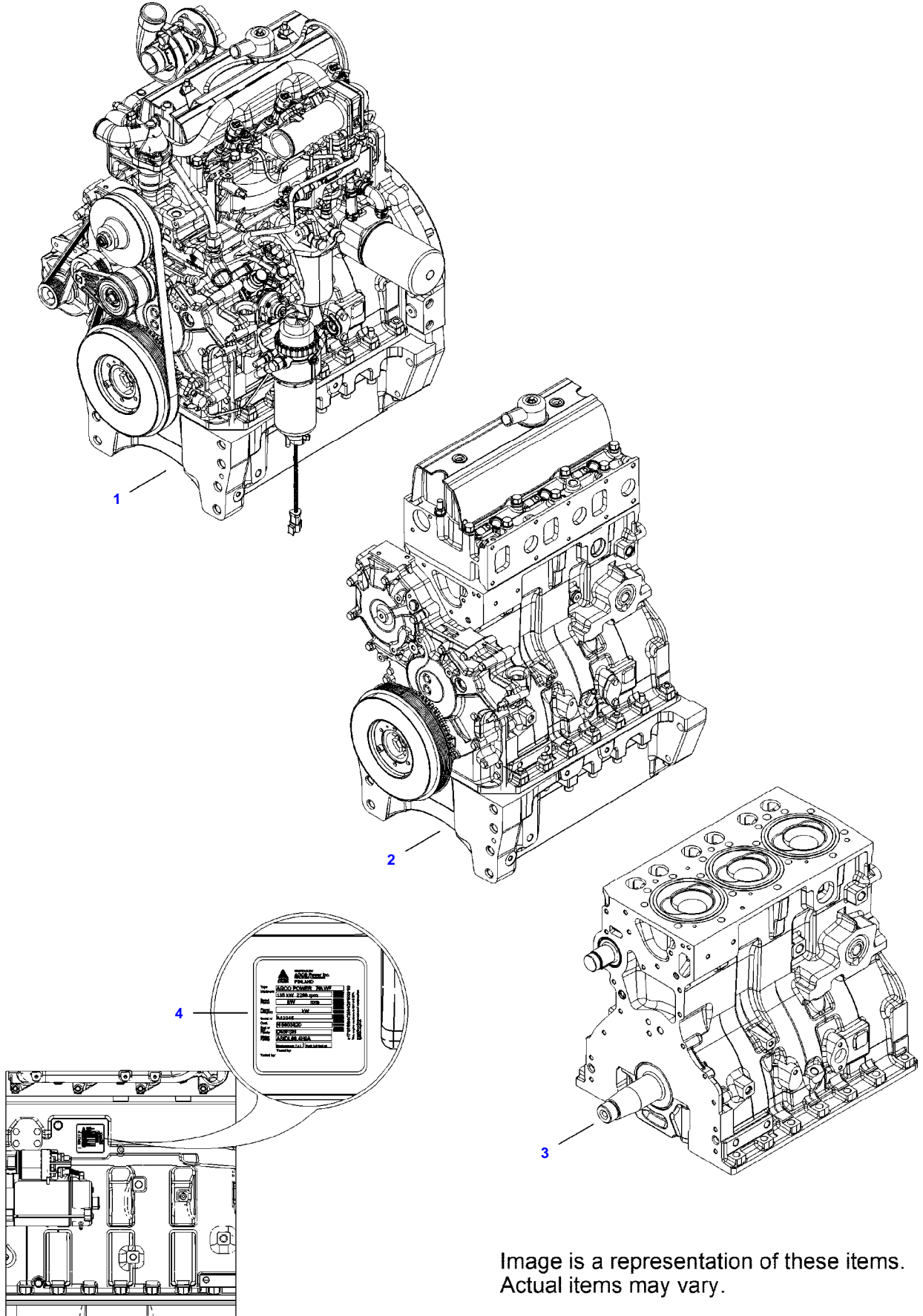
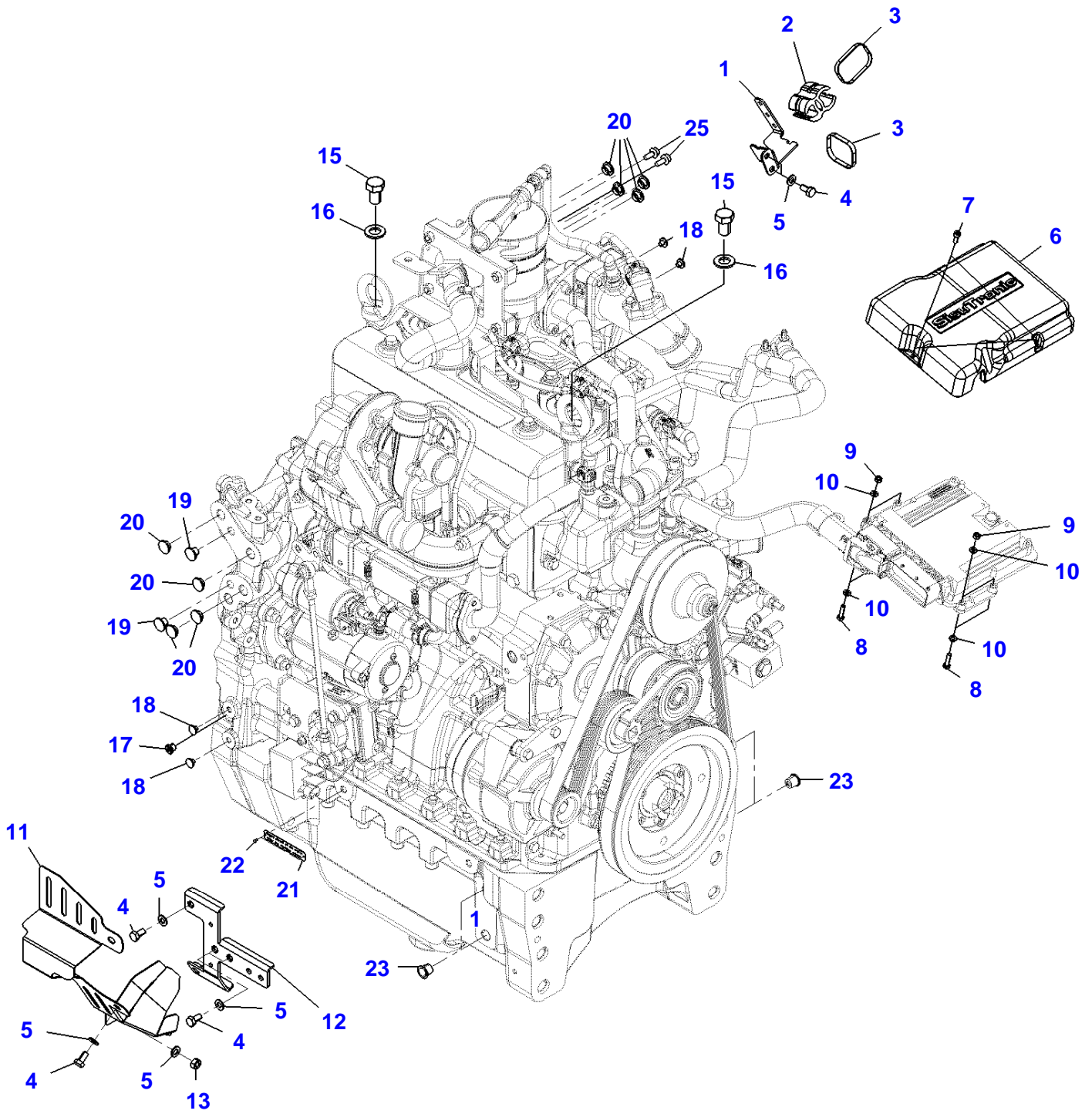


Image is a representation of these items.
Actual items may vary.

ENGINE ASSEMBLIES

Item	Part Number	Qty	Description Comments	Technical Specification
1	V834277842	1	ENGINE	33 AWI
2	V864291641V	1	LONG BLOCK ENGINE	33 AWI
3	V864291642X	1	SHORT BLOCK ENGINE	33 AWI
4	V837079921	1	LABEL ENGINE TYPE PLATE	

FENDT 210V VARIO S3 (WAM235XXX00F00101-99999)
18140872-M-3

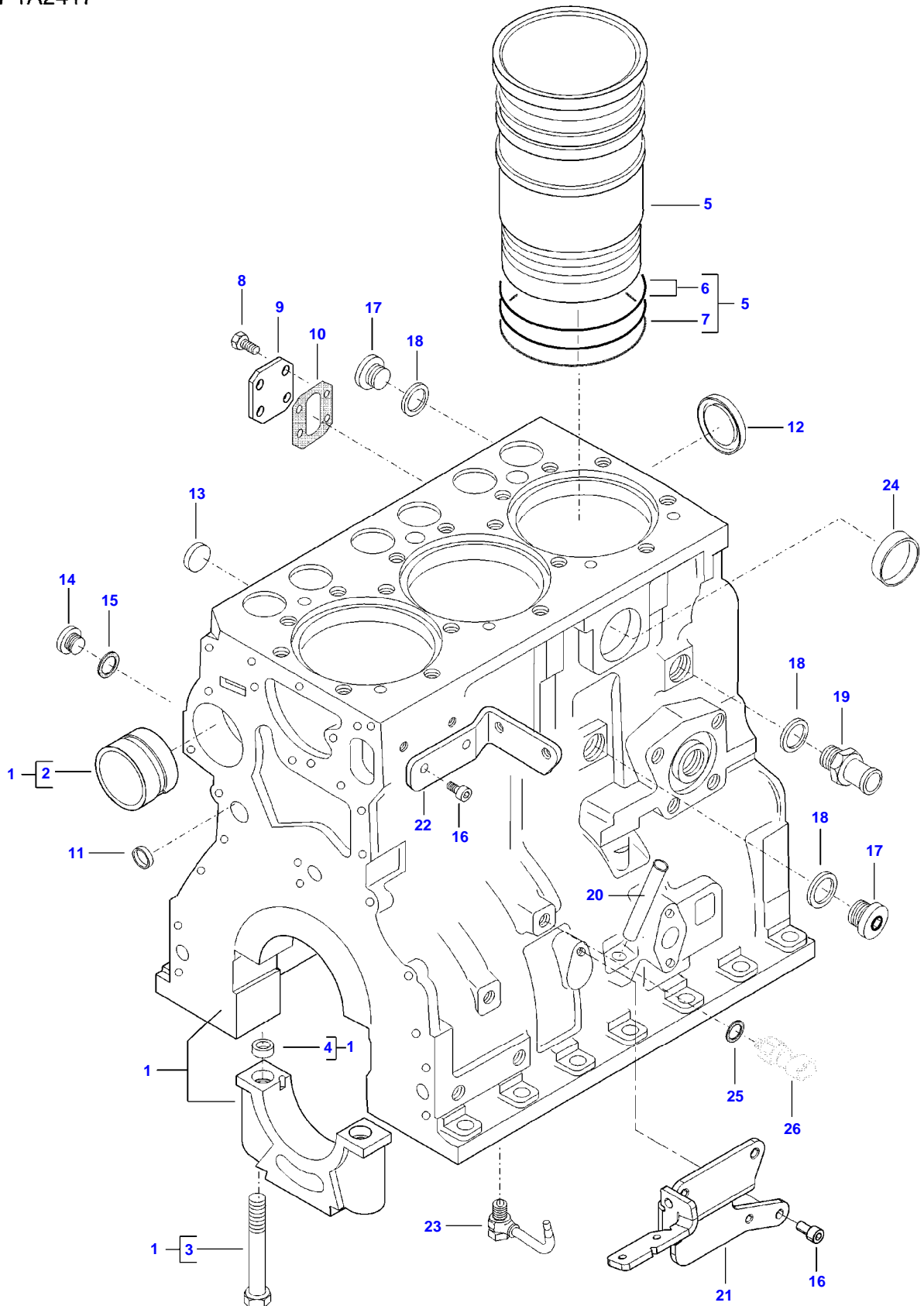


18140872-M-3

Item	Part Number	Qty	Description Comments	Technical Specification
1	72628814	1	HOLDER	
2	72486891	1	HOLDER	
3	72316913	2	CABLE STRAP	FWN 66650 B360X7,5-SW
4	72315642	6	HEXAGONAL HEAD BOLT	DIN 933 M8 X 16-8.8A3L
5	72311788	7	DISC	DIN 125-8,4-ST.A3L
6	72605912	1	COVERING	EDC
7	72612487	3	SOCKET HEAD BOLT	DIN 912 M6X16-8.8 A3L
8	72315633	4	HEXAGONAL HEAD BOLT	DIN 933 M6X25-8.8A3L
9	72313266	4	NUT	DIN 934 M6-8A3L
10	72311787	8	DISC	DIN 125-6,4-ST.A3L
11	72609473	1	COVER	RE
12	72604736	1	RETAINING SHEET METAL	RE
13	72313268	1	NUT	DIN 934 M8-8A3L
15	72315730	2	HEXAGONAL HEAD BOLT	DIN 933 M16X25-8.8A3L
16	72311793	2	DISC	DIN 125-17-ST.A3L
17	72314744	1	LOCKING PLUG	F4
18	72314743	4	LOCKING PLUG	F2
19	72314765	2	LOCKING PLUG	
20	72314748	8	LOCKING PLUG	SW-F11
21	72452403	1	MARKING PLATE	
22	72313751	2	SLOTTED PIN	DIN 1476-3X5-AL
23	72314742	4	PROTECTIVE PLUG	UNIV.
25	ACW0775830	2	HEXAGON FLANGE BOLT	EN1665 M8X1.25X20-8 VDA30

FENDT 210V VARIO S3 (WAM235XXX00F00101-99999)
AP1A2417

AP1A2417

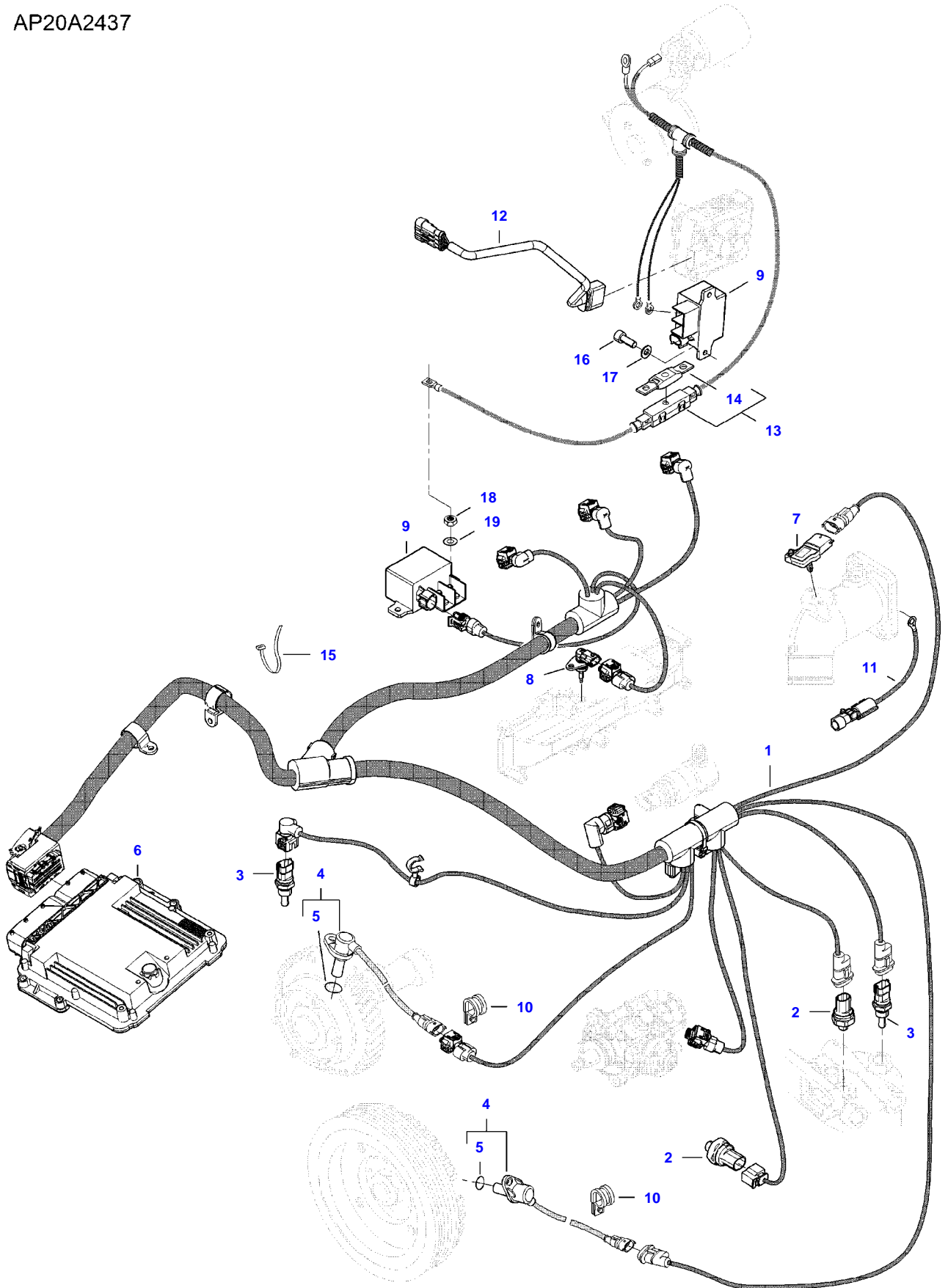


CYLINDER BLOCK

Item	Part Number	Qty	Description Comments
1	V837070453	1	CYLINDER BLOCK
2	V836866069	1	CAMSHAFT BEARING BUSHING (1)
3	V835329030	8	HEX CAP SCREW (1)
4	V836214478	8	GUIDE SLEEVE (1)
5	V836673191	3	LINER
6	V836647502	6	CYLINDER LINER O-RING (5) [B]
7	V836647503	3	CYLINDER LINER O-RING (5) [B]
8	V528801362	4	HEX CAP SCREW
9	V836866957	1	COVER
10	V836866958	1	GASKET [B]
11	V640016016	4	CUP PLUG [B]
12	V836529872	1	PLUG
13	V640016018	1	CUP PLUG
14	V640325110	3	SCREW PLUG
15	V615871014	3	SEALING WASHER [B]
16	V581804580	5	HEX SOCKET SCREW
17	V640325018	2	PLUG
18	V615881824	3	SEALING WASHER [B]
19	V836119837	1	HOSE COUPLER
20	V836666910	1	OIL DIPSTICK GUIDE PIPE
21	V837086143	1	FUEL FILTER BRACKET
22	V837074723	1	BRACKET
23	V837074224	3	PISTON COOLING JET
24	V640016040	1	CUP PLUG
25	V615871016	1	SEALING WASHER [B]
26		1	SEE PAGE 01-0020 [B] INCLUDED IN COMPLETE ENGINE GASKET KIT 2

FENDT 210V VARIO S3 (WAM235XXX00F00101-99999)
AP20A2437

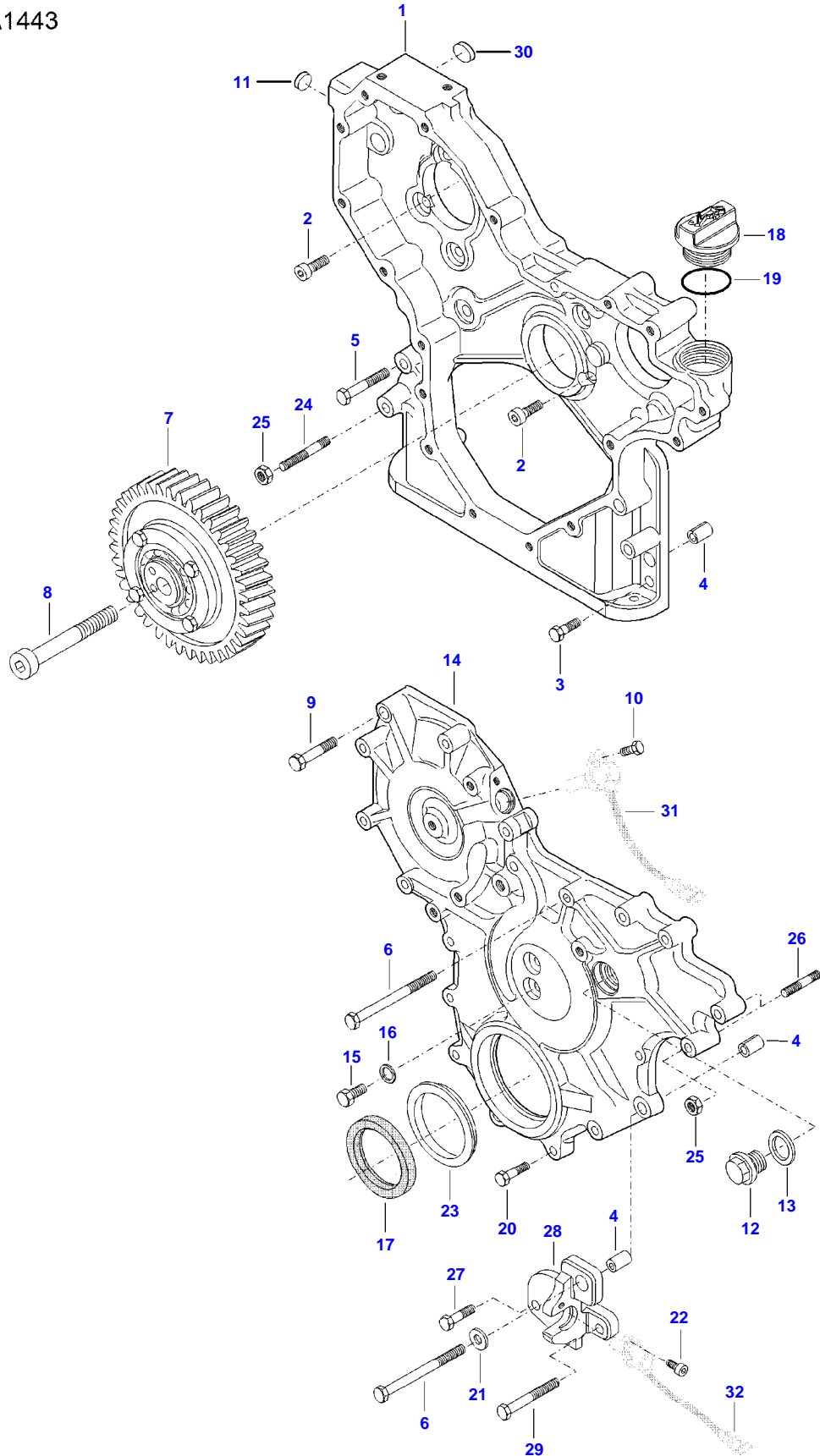
AP20A2437



Item	Part Number	Qty	Description Comments
1	V837086121	1	ENGINE WIRE HARNESS
2	V837070201	2	PRESSURE SENSOR
3	V836667732	2	TEMPERATURE SENSOR
4	V837070189	2	SPEED SENSOR
5	V614601718	2	O-RING (4)
6	V837073357	1	ENGINE CONTROL UNIT
7	V837073934	1	BOOST PRESSURE SENSOR
8	V837074507	1	TEMPERATURE SENSOR
9	V837069047	2	RELAY
10	V602060610	2	RETAINER CLAMP
11	V837073594	1	WIRE
12	V837073595	1	WIRE
13	V837073596	1	WIRE
14	V836662501	1	FUSE (13)
15	V651754720	10	CABLE TIE
16	V581804182	2	HEX SOCKET SCREW
17	V500150642	2	WASHER
18	V504600602	2	NUT
19	V500050642	2	WASHER

FENDT 210V VARIO S3 (WAM235XXX00F00101-99999)
AP2A1443

AP2A1443

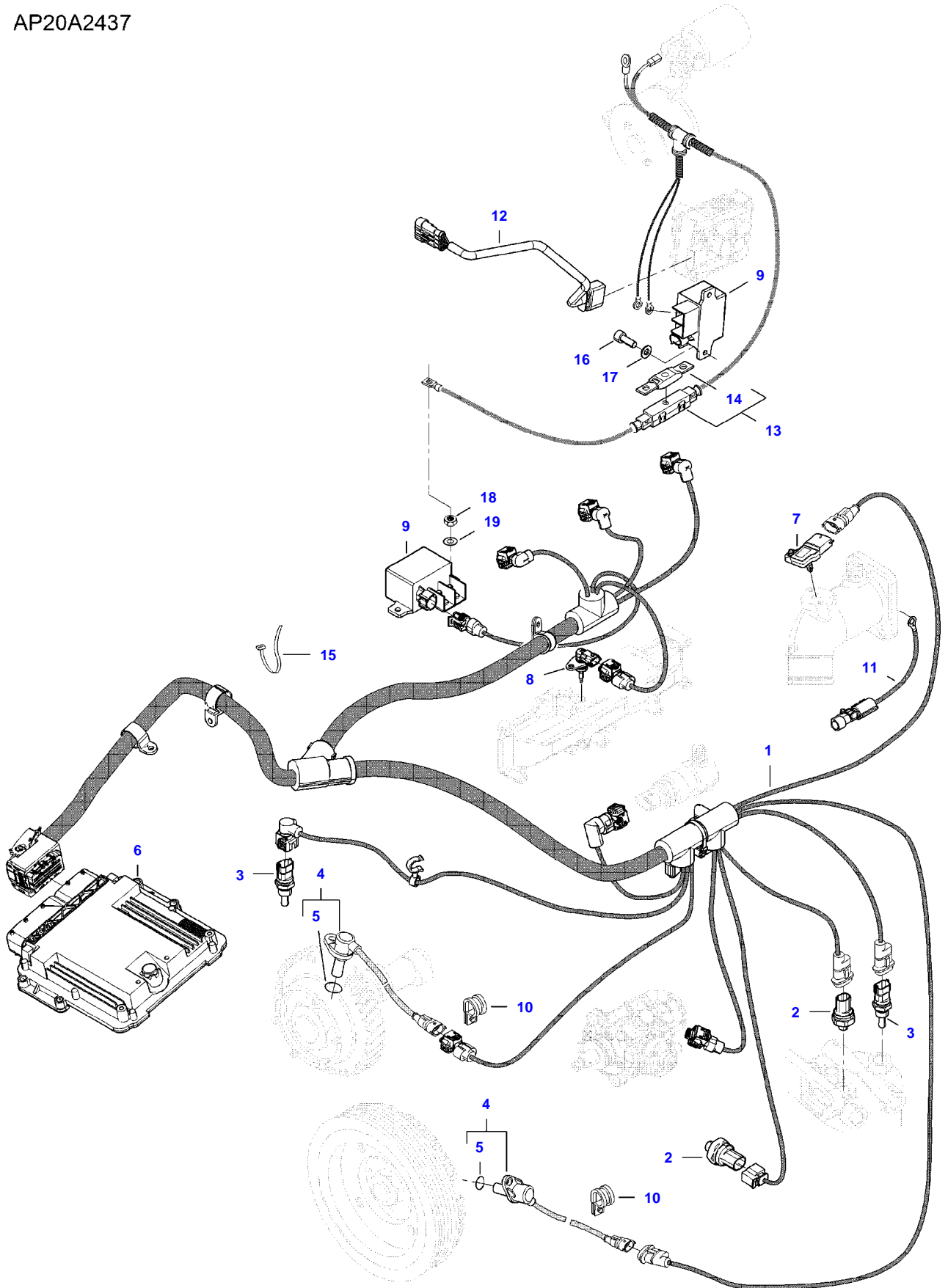


TIMING GEARS AND HOUSING

Item	Part Number	Qty	Description Comments
1	V837074705	1	TIMING GEAR CASE
2	V581704600	10	HEX SOCKET SCREW
3	V528801402	2	HEX CAP SCREW
4	V598359850	3	PIN
5	V529801470	2	HEX CAP SCREW
6	V529801540	2	HEX CAP SCREW
7	V837073583	1	IDLER GEAR
8	V581705910	1	HEX SOCKET SCREW
9	V529801440	5	HEX CAP SCREW
10	V528801062	1	HEX CAP SCREW
11	V640016016	1	CUP PLUG
12	V640045022	1	PLUG
13	V615882227	1	SEALING WASHER [B]
14	V837074707	1	GEAR HOUSING FRONT COVER
15	V528801382	2	HEX CAP SCREW
16	V615870814	2	SEALING WASHER [B]
17	V836840883	1	CRANKSHAFT SEAL [B]
18	V837081106	1	OIL FILLER CAP
19	V614603540	1	O-RING [B]
20	V528801410	6	HEX CAP SCREW
21	V836120989	1	WASHER
22	V581804182	1	HEX SOCKET SCREW
23	V836855636	1	SHIELD
24	V546801494	1	STUD BOLT
25	V504800800	4	NUT
26	V546801452	3	STUD BOLT
27	V528801422	1	HEX CAP SCREW
28	V837074080	1	BRACKET
29	V529801490	1	HEX CAP SCREW
30	V640016020	1	CUP PLUG
31		1	SEE PAGE 01-0020
32		1	SEE PAGE 01-0020 [B] INCLUDED IN COMPLETE ENGINE GASKET KIT 2

FENDT 210V VARIO S3 (WAM235XXX00F00101-99999)
AP20A2437

AP20A2437



Thank you so much for reading.
Please click the “Buy Now!”
button below to download the
complete manual.



After you pay.

You can download the most
perfect and complete manual in
the world immediately.

Our support email:

ebooklibonline@outlook.com