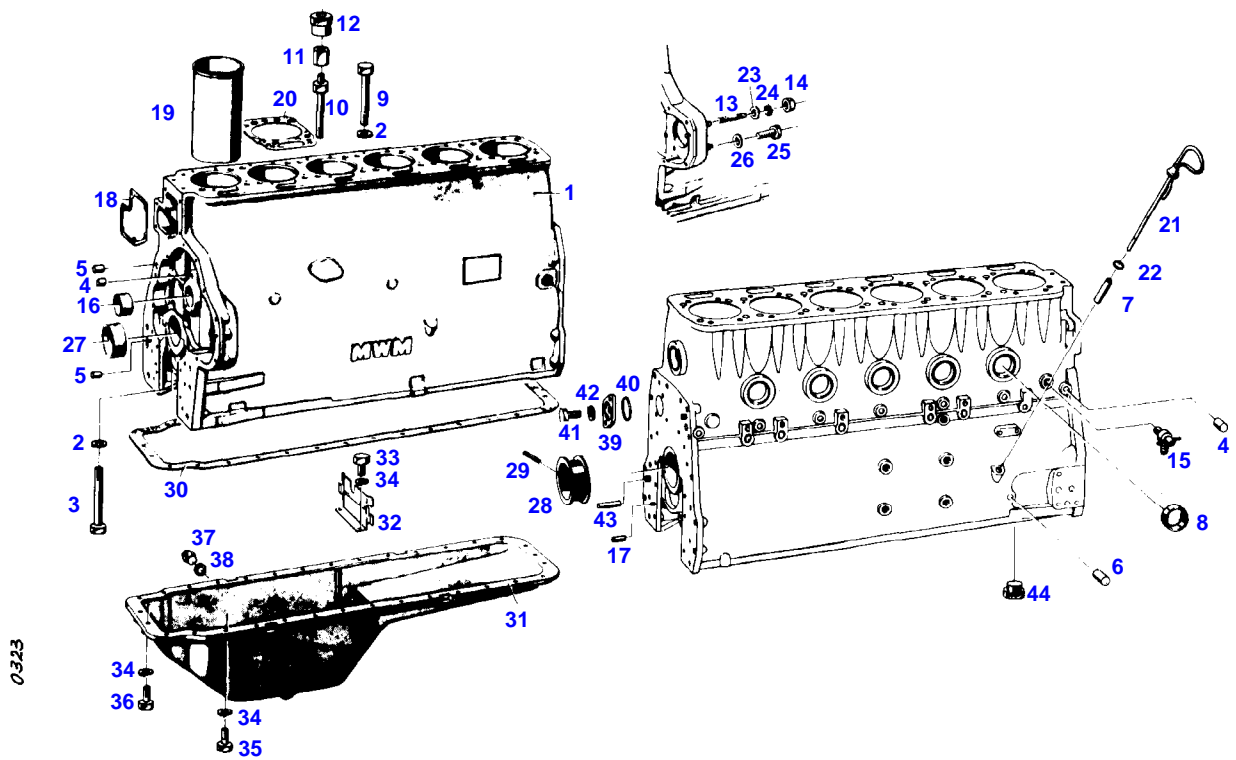


<b>Page Number</b>	<b>Page Title</b>	<b>Page Reference</b>
01-000-TOC	ENGINE, FUEL AND EXHAUST SYSTEM	01-000-TOC
02-000-TOC	AXLES	02-000-TOC
03-000-TOC	STEERING SYSTEM	03-000-TOC
04-000-TOC	DRIVE TRAIN SYSTEM	04-000-TOC
05-000-TOC	COMPRESSED AIR SYSTEM	05-000-TOC
06-000-TOC	HYDRAULIC SYSTEM	06-000-TOC
07-000-TOC	ELECTRICAL SYSTEM	07-000-TOC
08-000-TOC	CAB	08-000-TOC
09-000-TOC	AIR CONDITIONING AND HEATING SYSTEM	09-000-TOC
10-000-TOC	CHASSIS	10-000-TOC
11-000-TOC	WHEELS	11-000-TOC
12-000-TOC	IMPLEMENT LIFT SYSTEM FRONT	12-000-TOC
13-000-TOC	IMPLEMENT LIFT SYSTEM REAR	13-000-TOC
14-000-TOC	FRONT/REAR LOADERS	14-000-TOC
15-000-TOC	ACCESSORIES	15-000-TOC

FAVORIT 611 (282/00001-99999)  
323



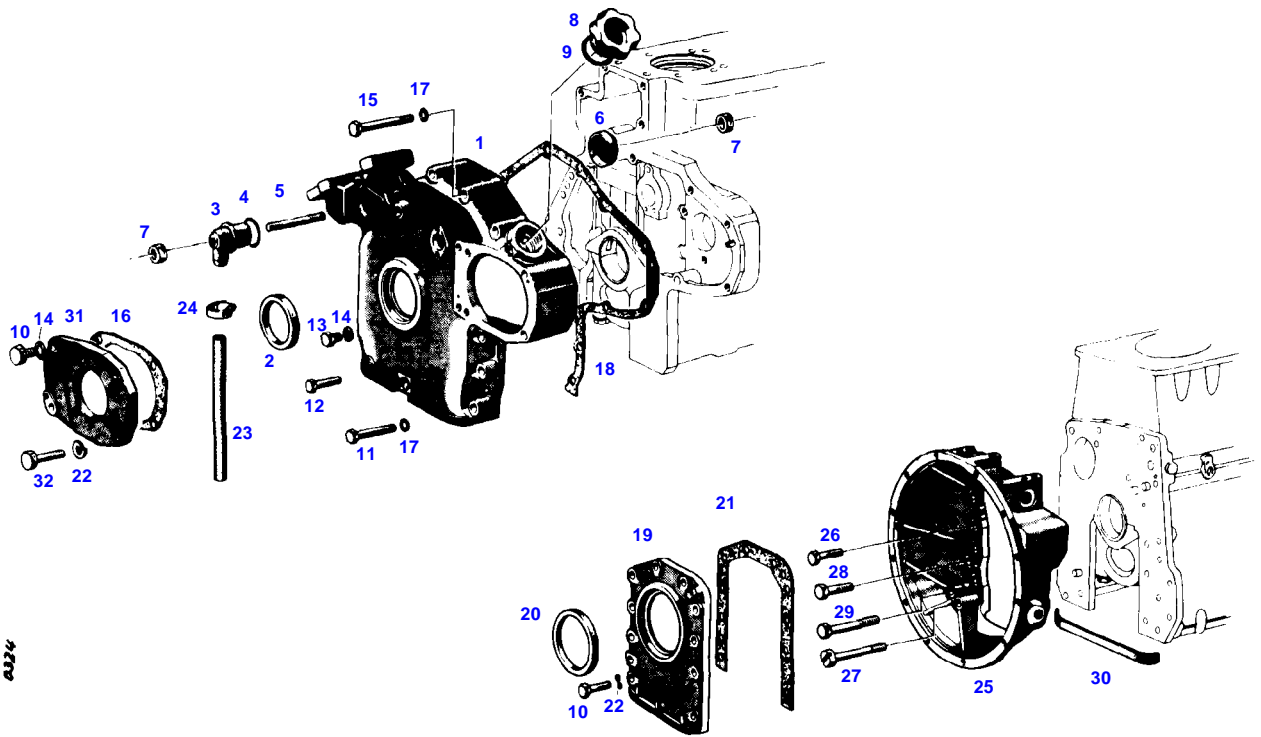
0323

Item	Part Number	Qty	Description Comments	Technical Specification
1	72331759	1	CRANKCASE ><1-10,12,15,16,19,28,29,32,44 --> 282/0639	
	72340144	1	CRANKCASE ><1-6,8,15,16,19,44 <-- 282/0640	
	72334873	2	PLUG --> 282/0639 NOT ILLUSTRATED	
2	72324592	38	DISC	
3	72327081	14	HEXAGONAL HEAD BOLT	
4	72327772	9	PLUG	
5	72327773	3	PLUG	
6	72327068	2	PLUG	
7	72326139	1	PIPE PIECE ENG.NO. --> 226.6.2.08549 <> <>	
	72343547	1	DIPSTICK	
8	72377226	6	COVER 50 MM	DIN 443-50
	72377227	6	COVER 52 MM	DIN 443-52
9	72326267	21	HEXAGONAL HEAD BOLT	
10	72326268	3	HEXAGONAL HEAD BOLT	
11	72419370	3	NUT	
12	72331775	1	NUT --> 282/0639	
13	72313777	4	STUD BOLT	DIN 939 M10X35-8.8
14	72372811	4	NUT	DIN 934 M10-10A3L
15	72378063	1	RELIEF VALVE	DIN71401-CM14X1,5KEG
16	72330749	1	BUSH	
17	72313859	4	CYLINDER PIN	DIN 7-8M6X18-ST50K
18	72327043	1	MOLDED SEAL	
19	72331774	6	CYLINDER LINER HONED AFTER MOUNTING	
	72331777	6	CYLINDER LINER FINISHED SIZE	
	72331778	6	CYLINDER LINER FINISHED SIZE HIGH TIN COLLAR	
20	72331766	6	CYLINDER HEAD GASKET --> 282/0639	
	72326269	6	CYLINDER HEAD GASKET 1,4 MM <-- 282/0640	
21	72343547	1	DIPSTICK ><22 ENG.NO. --> 226.6.2.08549 <> <>	
	72326139	1	PIPE PIECE	
22	72331327	1	SEALING WASHER ENG.NO. --> 226.6.2.08549	
	72376384	1	O-RING ENG.NO. <-- 226.6.2.08550	7,3X2,4
23	72311789	4	DISC	DIN 125-10,5-ST.A3L
24	72375420	4	TOOTHLOCK WASHER	DIN 6797 A10,5
25	72315643	1	HEXAGONAL HEAD BOLT --> 282/0639	DIN 933 M8X10-8.8
26	72315087	1	SEALING WASHER --> 282/0639	DIN 7603 A8X14-CU

Item	Part Number	Qty	Description Comments	Technical Specification
27	72327045	6	MAIN BEARING SHELL 65,00 MM --> 282/0639	
	72327073	6	MAIN BEARING SHELL 64,75 MM --> 282/0639	
	72327074	6	MAIN BEARING SHELL 64,50 MM --> 282/0639	
	72327075	6	MAIN BEARING SHELL 64,25 MM --> 282/0639	
	72327076	6	MAIN BEARING SHELL 64,00 MM --> 282/0639	
28	72327046	1	TIGHT-FIT BEARING SHELL 65,00 MM --> 282/0639	
	72327077	1	TIGHT-FIT BEARING SHELL 64,75 MM --> 282/0639	
	72327078	1	TIGHT-FIT BEARING SHELL 64,50 MM --> 282/0639	
	72341078	7	MAIN BEARING 70,00 MM <-- 282/0640	
	72341079	7	MAIN BEARING 69,79 MM <-- 282/0640	
	72341080	7	MAIN BEARING 69,54 MM <-- 282/0640	
	72341081	7	MAIN BEARING 69,29 MM <-- 282/0640	
	72341082	7	MAIN BEARING 69,04 MM <-- 282/0640	
	72343910	2	THRUST RING 70,00 MM <-- 282/0640 NOT ILLUSTRATED	
	72343911	2	THRUST RING 69,79 MM <-- 282/0640 NOT ILLUSTRATED	
29	72375130	7	TENSIONING PIN	ISO8752-4X8-A-ST-ZNPH
30	72330744	1	MOLDED SEAL	
31	72331312	1	OIL PAN	
32	72330745	1	WASHER PLATE	
33	72315645	2	HEXAGONAL HEAD BOLT	DIN 933 M8 X 12-8.8A3L
34	72315053	35	SPLIT WASHER	FWN 65208-8-A3L
35	72315653	26	HEXAGONAL HEAD BOLT	DIN 933 M8 X 25-8.8A3L
36	72315659	7	HEXAGONAL HEAD BOLT	DIN 933 M8X35-8.8
37	72373986	1	SCREW	
38	72332580	1	SEALING WASHER	
39	72332171	1	COVER	
40	72376555	1	O-RING	47X3-NBR 70-FWN56402
41	72315657	2	HEXAGONAL HEAD BOLT	DIN 933 M8 X 30-8.8A3L
42	72317121	2	SPRING WASHER	DIN 137 B8-MECH.VZK
43	72313864	2	CYLINDER PIN --> 282/0639	DIN 7-10M6X20-9SMN28K
	72375324	2	CYLINDER PIN <-- 282/0640	DIN 7-10M6X28-ST50K
44	72373972	1	PLUG	DIN 910 M16X1,5-ST

<b>Item</b>	<b>Part Number</b>	<b>Qty</b>	<b>Description Comments</b>	<b>Technical Specification</b>
45	72376224	1	SEAL KIT --> 282/0639 NOT ILLUSTRATED	D 226-6
	72376232	1	SEAL KIT <-- 282/0640 NOT ILLUSTRATED	D 226-6,2

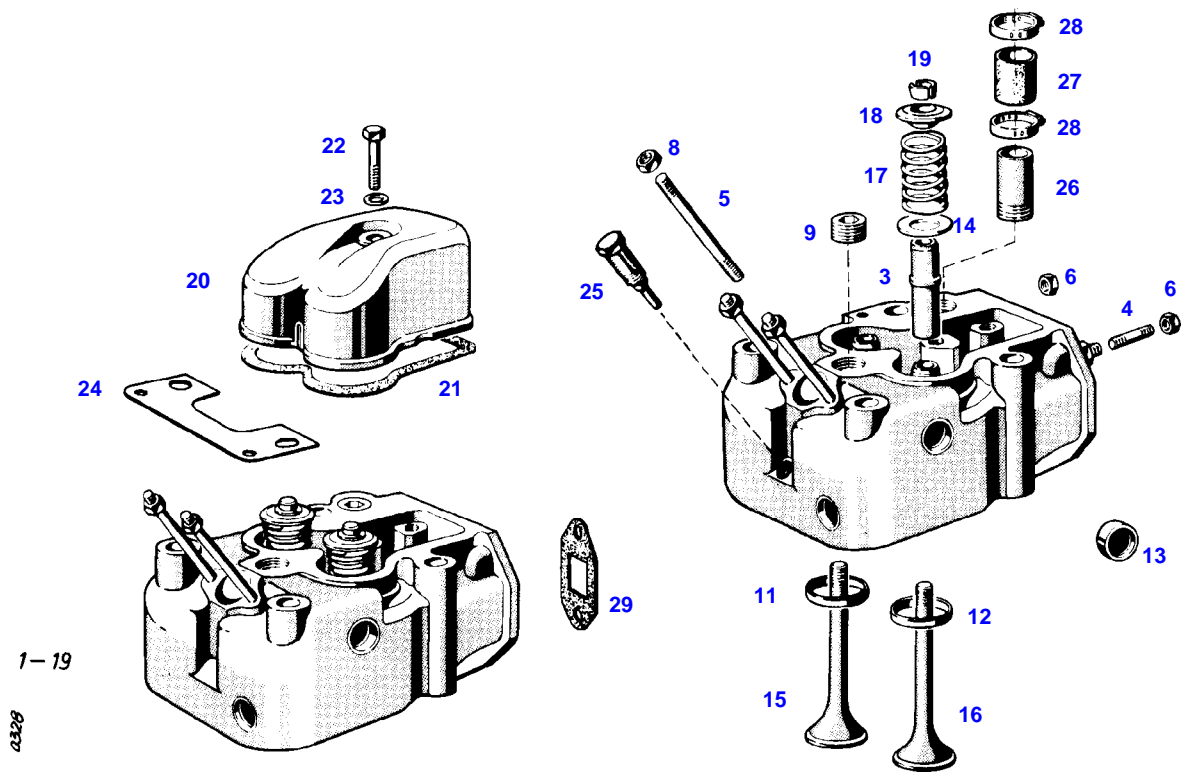
FAVORIT 611 (282/00001-99999)  
324



Item	Part Number	Qty	Description Comments	Technical Specification
<b>FLYWHEEL HOUSING</b>				
1	72340126	1	CRANKCASE END COVER	
2	72332982	1	RADIAL SEALING RING	
3	72326907	1	HOUSING ENG.NO. --> 226.6.2.03572	
	72340892	1	HOUSING ENG.NO. <-- 226.6.2.03573	
4	72376538	1	O-RING	40X4
5	72326906	1	THREADED PIN	
6	72326904	1	COVER PANEL	
7	72313266	2	NUT	DIN 934 M6-8A3L
8	72321607	1	PLUG	
9	72376514	1	O-RING	32X4-NBR 70 FWN56402
10	72315653	12	HEXAGONAL HEAD BOLT	DIN 933 M8 X 25-8.8A3L
11	72374158	7	HEXAGONAL HEAD BOLT	DIN 931 M8X45-8.8
12	72315659	1	HEXAGONAL HEAD BOLT	DIN 933 M8X35-8.8
13	72315643	1	HEXAGONAL HEAD BOLT	DIN 933 M8X10-8.8
14	72315087	2	SEALING WASHER	DIN 7603 A8X14-CU
15	72315534	5	HEXAGONAL HEAD BOLT	DIN 931 M8 X 70-8.8
16	72330759	1	MOLDED SEAL	
17	72315053	16	SPLIT WASHER	FWN 65208-8-A3L
18	72330757	1	MOLDED SEAL	
19	72330754	1	CRANKCASE END COVER ><20	
20	72376834	1	SHAFT SEAL	110X130X14,5
21	72330755	1	MOLDED SEAL	
22	72317121	10	SPRING WASHER	DIN 137 B8-MECH.VZK
23	72436284	1	HOSE 1X 800MM CUT TO LENGTH	L=1120 FWN65912-19X3-PVC-W-G
	72407980	1	COMPRESSION SPRING <-- 282/0593 NOT ILLUSTRATED	
	72340891	1	OIL-WETTED AIR CLEANER ENG.NO. <-- 226.6.2.03573 NOT ILLUSTRATED	
	72340890	1	GUSSET PLATE ENG.NO. <-- 226.6.2.03573 NOT ILLUSTRATED	
24	72373531	2	HOSE CLIP	
25	72409003	1	FLYWHEEL HOUSING --> 282/1197 <> <-- 282/1198 <> <>	
	72314756	1	LOCKING PLUG	F21
	72374073	1	SOCKET HEAD BOLT	DIN 912 M12X45-12.9
	72374435	10	HEXAGONAL HEAD BOLT	DIN933 M10X33 GWA-10.9
	72341066	12	DISC	
	72317290	1	TAPERED PLUG	
	72341067	8	DISC	
26	72315683	10	HEXAGONAL HEAD BOLT	DIN 933 M10X28-10.9
27	72315509	2	SOCKET HEAD BOLT --> 282/1197	DIN 912 M10X85-10.9
	72374189	2	HEXAGONAL HEAD BOLT <-- 282/1198	DIN 931 M10X85-12.9
28	72374465	4	HEXAGONAL HEAD BOLT ENG.NO. --> 226.6.07408	DIN 933 M12X28-10.9

Item	Part Number	Qty	Description Comments	Technical Specification
	72374468	4	HEXAGONAL HEAD BOLT ENG.NO. <-- 226.6.07409	DIN 933 M12X40-12.9
29	72315573	2	HEXAGONAL HEAD BOLT ENG.NO. --> 226.6.07408	DIN 931 M12X75-10.9
	72374223	2	HEXAGONAL HEAD BOLT ENG.NO. <-- 226.6.07409	DIN 931 M12X85-12.9
	72341066	12	DISC <-- 282/1198 NOT ILLUSTRATED	
	72341067	8	DISC <-- 282/1198 NOT ILLUSTRATED	
30 31	72325584	1	RUBBER STRIP	
32	72315525	2	SEE PUMP INSTALLATION HEXAGONAL HEAD BOLT	DIN 931 M8 X 90-8.8A3L

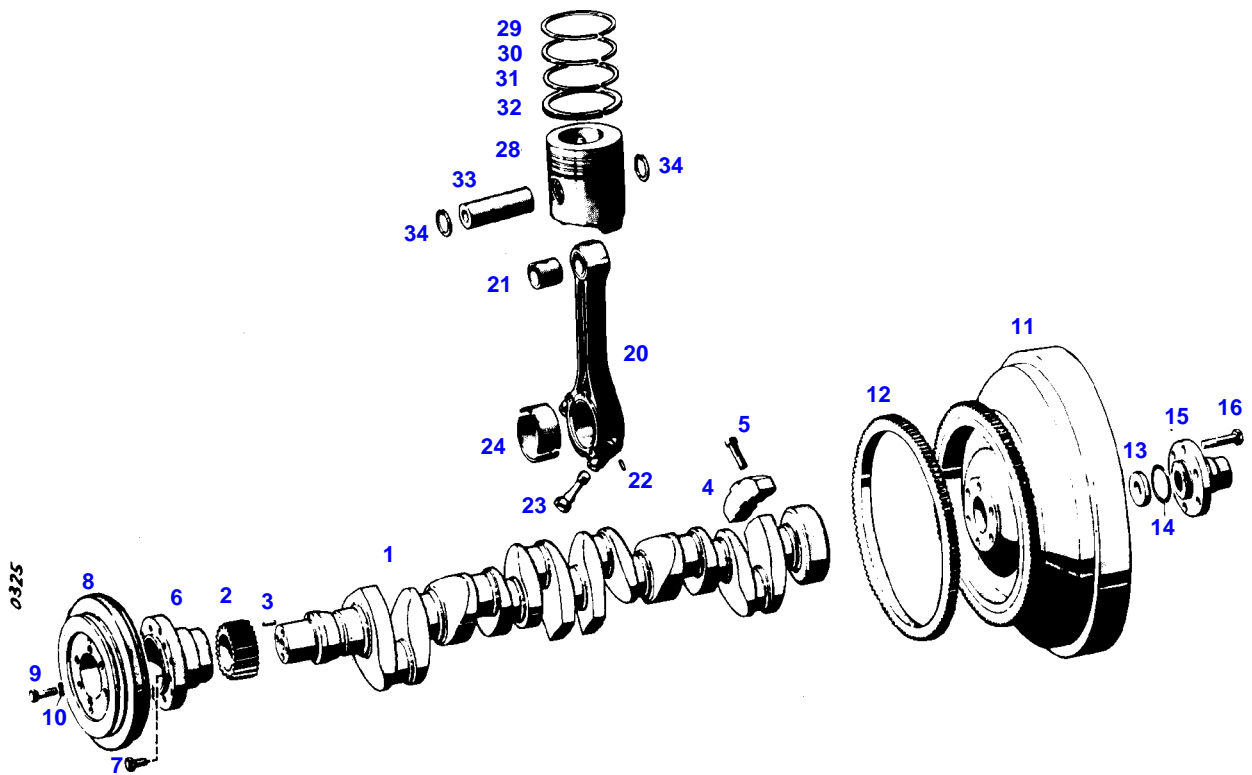




Item	Part Number	Qty	Description Comments	Technical Specification
1	72331768	6	CYLINDER HEAD ><1-19 ENG.NO. --> 226.6.2.04279  NO LONGER AVAILABLE ><1-19 ENG.NO. <-- 226.6.2.04280 --> 226.6.2.06117	
	72339462	6	CYLINDER HEAD ><1-19 ENG.NO. <-- 226.6.2.06118	
	72331771	6	CYLINDER HEAD ><1-13 ENG.NO. --> 226.6.2.04279	
	72340721	6	CYLINDER HEAD ><1-13 ENG.NO. <-- 226.6.2.04280 --> 226.6.2.06117  NO LONGER AVAILABLE ><1-13 ENG.NO. <-- 226.6.2.06118	
3	72327062	12	VALVE GUIDE	
4	72373922	12	STUD BOLT	DIN 835-M10X25-8.8
	72315054	12	SPLIT WASHER NOT ILLUSTRATED	FWN 65208-10-A3L
	72374647	12	STUD BOLT EXHAUST	DIN 939-M10X40-8.8
5	72374632	12	STUD BOLT	DIN 939 M8X55-8.8
6	72313272	12	NUT	DIN 934 M10-8A3L
	72373015	12	NUT EXHAUST	DIN70615-M10-8-A3B
8	72372806	12	NUT	DIN 934 M8-10A3L
9	72373948	12	PLUG SCREW	DIN 906 M22X1,5-ST
11	72332174	6	VALVE SEAT RING OUTLET	
12	72341096	6	VALVE SEAT RING INTAKE ENG.NO. --> 226.6.2.04279	
	72339464	6	VALVE SEAT RING INTAKE ENG.NO. <-- 226.6.2.04280	
13	72311455	24	COVER	
14	72326923	12	DISC	
15	72331769	6	OUTLET VALVE CONE OUTLET	
16	72331770	6	INLET VALVE CONE INTAKE	
17	72327057	12	COMPRESSION SPRING STANDARD	
	72327057	6	COMPRESSION SPRING INTAKE ENGINE BRAKE <-- 282/3920	

Item	Part Number	Qty	Description Comments	Technical Specification
	72340913	6	VALVE SPRING OUTLET ENGINE BRAKE <-- 282/3920 <>	
	72340914	1	VALVE SPRING	
	72340914	6	VALVE SPRING OUTLET ENGINE BRAKE <-- 282/3920 <>	
18	72327093	12	VALVE SPRING SPRING RETAINER STANDARD	
	72327093	6	SPRING RETAINER INTAKE ENGINE BRAKE <-- 282/3920	
	72340915	6	DISC OUTLET ENGINE BRAKE <-- 282/3920	
19	72327092	24	TAPER PIECE HALF	
20	72334863	6	CYLINDER HEAD COVER	
21	72334862	6	MOLDED SEAL	
22	72315691	6	HEXAGONAL HEAD BOLT	DIN 933 M10X40-8.8A3L
23	72315089	6	SEALING WASHER	DIN 7603 A10X16-CU
24				
25	72334899	6	RE. AIR CLEANER SCREW PLUG ENG.NO. --> 226.6.2.06117	
26	72330762	6	PIPE PIECE	
27				
28			SEE COOLING SYSTEM	
29			SEE COOLING SYSTEM	
			SEE EXHAUST	

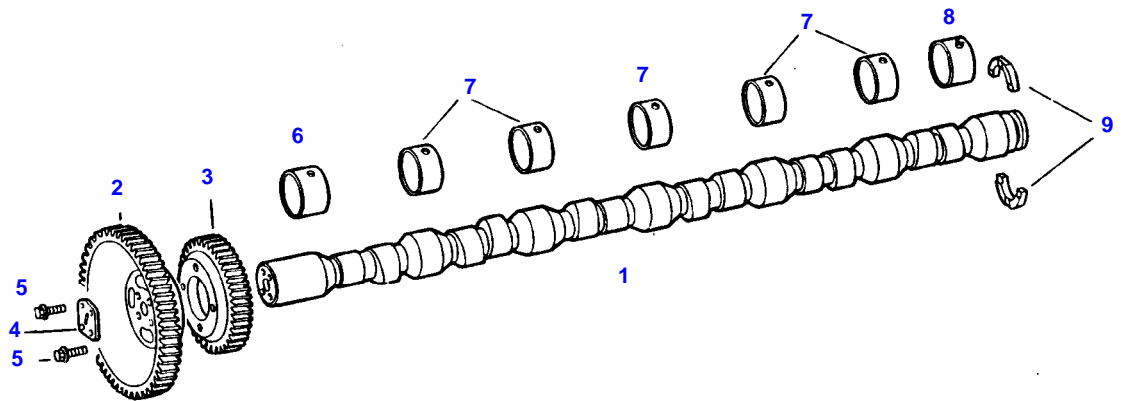
FAVORIT 611 (282/00001-99999)  
325



Item	Part Number	Qty	Description Comments	Technical Specification
<b>PISTON</b>				
1	72471948	1	NO LONGER AVAILABLE ><1-5 --> 282/0639	
	72342979	1	CRANKSHAFT ><1-3 <-- 282/0640	
	72327771	6	PLUG 8 MM ENG.NO. --> 226.6.2.06322 NOT ILLUSTRATED	
	72337059	6	PLUG 6,5 MM ENG.NO. <-- 226.6.2.06323 NOT ILLUSTRATED	
2	72330770	1	SPUR GEAR --> 282/0639	
	72341105	1	SPUR GEAR <-- 282/0640	
3	72313801	1	TENSIONING PIN	ISO8752-4X14-A-ST
4	72327137	4	COUNTER-BALANCE WEIGHT --> 282/0639	
5	72374097	8	SOCKET HEAD BOLT --> 282/0639	DIN 912 M14X50-10.9
6	72340130	1	HUB --> 282/0639	
	72344001	1	HUB <-- 282/0640 <>	
	72343551	1	VIBRATION DAMPER	
	72315495	9	SOCKET HEAD BOLT	DIN 912 M10X30-10.9
	72374117	4	SOCKET HEAD BOLT	DIN 912 M16X60-12.9
	72341109	1	DISC	
	72343553	1	V BELT SHEAVE	
7	72374807	4	HEXAGONAL HEAD BOLT --> 282/0639	DIN 961 M12X1,5X35-10.9
	72374113	4	SOCKET HEAD BOLT <-- 282/0640	DIN 912 M16X50-10.9
8	72340128	1	V BELT SHEAVE --> 282/0639	
	72344002	1	VIBRATION DAMPER <-- 282/0640 <>	
	72315495	9	SOCKET HEAD BOLT	DIN 912 M10X30-10.9
	72341109	1	DISC	
	72374117	4	SOCKET HEAD BOLT	DIN 912 M16X60-12.9
	72343553	1	V BELT SHEAVE	
	72344001	1	HUB	
9	72374046	9	SOCKET HEAD BOLT	DIN 912 M10X20-10.9
10	72317122	9	SPRING WASHER	DIN 137 B10-MECH.VZK
11	72340129	1	FLYWHEEL ><12 --> 282/0639	
	72340145	1	FLYWHEEL ><12 <-- 282/0640 --> 282/1197	
	72343593	1	FLYWHEEL ><12 <-- 282/1198	
12	72330772	1	RING GEAR	
13			NO LONGER AVAILABLE --> 282/0639	

Item	Part Number	Qty	Description Comments	Technical Specification
	72341111	1	FLANGE BUSHING <-- 282/0640	
14	72313477	1	O-RING --> 282/1197	46,2X3-NBR 70 FWN56402
			NOT USED <-- 282/1198	
15	72404900	1	COUPLING FLANGE --> 282/0639	
	72405986	1	COUPLING FLANGE <-- 282/0640 --> 282/1197	
	72405987	1	COUPLING FLANGE <-- 282/1198	
16	72374756	6	HEXAGONAL HEAD BOLT --> 282/0639	DIN 960 M12X1,5X50-10.9
	72374113	6	SOCKET HEAD BOLT <-- 282/0640	DIN 912 M16X50-10.9
20	72416099	1	PISTON ROD INCLUDES 6 PCE. --> 282/0639	
	72341117	6	PISTON ROD <-- 282/0640	
21	72326953	6	SMALL-END BUSH --> 282/0639	
	72341118	6	SMALL-END BUSH <-- 282/0640	
22	72313802	6	TENSIONING PIN	ISO8752-4X16-A-ST-ZNPHR10F-KOE
23	72327143	12	CONNECTING ROD BOLT	
24	72327163	6	CONNECTING ROD BEARING 58,00 --> 282/0639	
	72327164	6	CONNECTING ROD BEARING 57,75 --> 282/0639	
	72327165	6	CONNECTING ROD BEARING 57,50 --> 282/0639	
	72327166	6	CONNECTING ROD BEARING 57,25 --> 282/0639	
	72327167	6	CONNECTING ROD BEARING 57,00 --> 282/0639	
	72341119	6	CONNECTING ROD BEARING 63,00 <-- 282/0640	
	72341120	6	CONNECTING ROD BEARING 62,76 <-- 282/0640	
	72341121	6	CONNECTING ROD BEARING 62,51 <-- 282/0640	
	72341122	6	CONNECTING ROD BEARING 62,26 <-- 282/0640	
	72341123	6	CONNECTING ROD BEARING 62,01 <-- 282/0640	
28	72340131	6	PISTON GROOVE 3 ><29-34 --> 282/0639	
	72340147	6	PISTON GROOVE 3 ><29-34 <-- 282/0640	

Item	Part Number	Qty	Description Comments	Technical Specification
			NO LONGER AVAILABLE REPAIR STEP GROOVE 3 ><29-34 --> 282/0639	
	72340149	6	PISTON REPAIR STEP GROOVE 3 ><29-34 <-- 282/0640	
29	72329077	6	KEYSTONE RING GROOVE 1	
	72329079	6	KEYSTONE RING REPAIR STEP GROOVE 1	
30	72331781	6	TAPERED COMPRESSION RING GROOVE 2	
	72331787	6	TAPERED COMPRESSION RING REPAIR STEP GROOVE 2	
31	72331782	6	OIL SCRAPER RING GROOVE 3 ENG.NO. --> 226.6.07453	
	72341114	6	WEDGE-SECTION RING GROOVE 3 ENG.NO. <-- 226.6.07454	
	72331788	6	OIL SCRAPER RING REPAIR STEP GROOVE 3 ENG.NO. --> 226.6.07453	
	72326281	6	DOUBLE BEVELLED OIL CONTROL RING REPAIR STEP GROOVE 3 ENG.NO. <-- 226.6.07454	
32	72341114	6	WEDGE-SECTION RING GROOVE 4 ENG.NO. --> 226.6.07453	
	72326281	6	DOUBLE BEVELLED OIL CONTROL RING REPAIR STEP GROOVE 4 ENG.NO. --> 226.6.07453	
33				
			NOT AVAILABLE IN SINGLE PARTS	
34	72375604	12	LOCK WASHER --> 282/0639	DIN 472-32X1,2
	72311094	12	LOCK WASHER <-- 282/0640	DIN 472-35X1,5



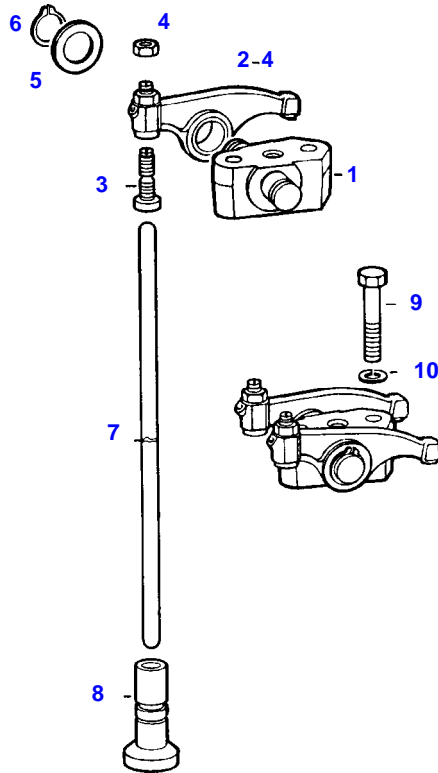
3120



Item	Part Number	Qty	Description Comments	Technical Specification
1	72332194	1	CAMSHAFT	
2	72330784	1	SPUR GEAR	
3	72327170	1	SPUR GEAR	
4	72331325	1	PROFILED FLANGE	
5	72375063	8	LOCK SCREW	FWN 64993 M8X22-12.9
6	72325608	2	BUSH	
			--> 282/0639	
	72325608	1	BUSH	
			<-- 282/0640	
7	72325609	5	BUSH	
8	72340922	1	BUSH	
			<-- 282/0640	
9	72332195	2	DISC	

FAVORIT 611 (282/00001-99999)  
3121

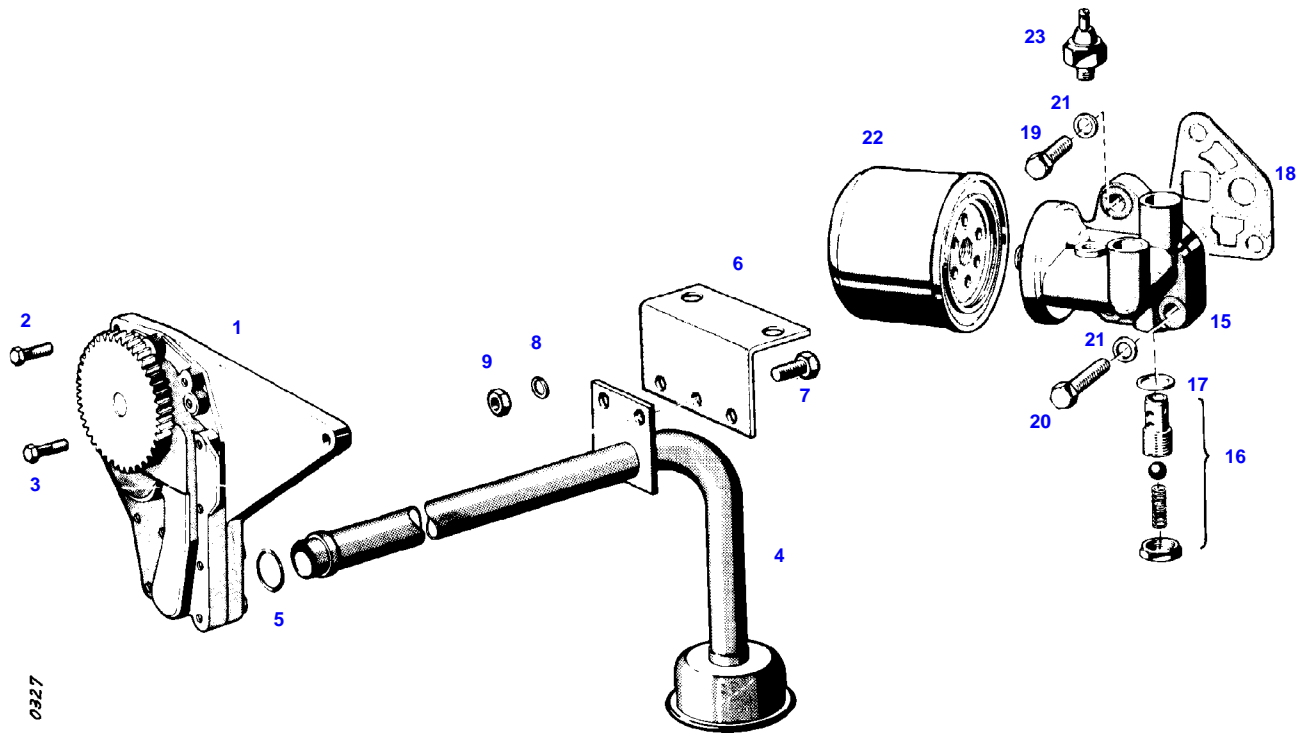
---



3121

Item	Part Number	Qty	Description Comments	Technical Specification
1	72326928	6	ROCKER ARM SUPPORT <>	
	72321237	2	DISC	
2	72326251	12	ROCKER ARM ><3,4	
3	72328652	12	ADJUSTING SCREW	
4	72372806	12	NUT	DIN 934 M8-10A3L
5	72321237	24	DISC	
6	72375559	12	LOCK WASHER	DIN 471-16X1
7	72330785	12	BUMPER	
8	72334866	12	MUSHROOM TAPPET	
9	72315691	12	HEXAGONAL HEAD BOLT	DIN 933 M10X40-8.8A3L
10	72315054	12	SPLIT WASHER	FWN 65208-10-A3L

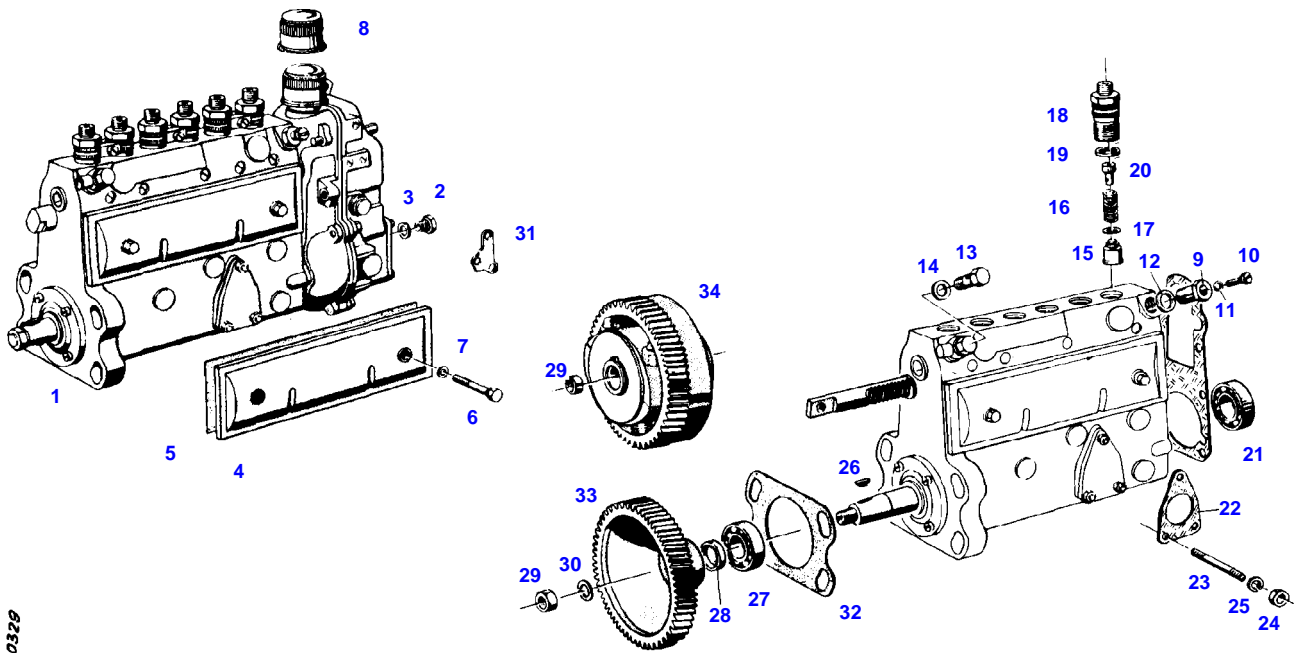
FAVORIT 611 (282/00001-99999)  
327



Item	Part Number	Qty	Description Comments	Technical Specification
<b>OIL FILTER</b>				
1	72332187	1	OIL GEAR PUMP	
2	72375063	2	LOCK SCREW	FWN 64993 M8X22-12.9
3	72375067	1	LOCK SCREW	FWN 64993 M8X35-90
4	72332188	1	OIL SUCTION LINE	
5	72376484	1	O-RING	24-3,5
	72376462	1	O-RING --> 282/0639 <-- 282/0640	20X4-FPM 70 FWN56402
6	72330779	1	GUSSET PLATE	
7	72315642	2	HEXAGONAL HEAD BOLT	DIN 933 M8 X 16-8.8A3L
8	72315053	2	SPLIT WASHER	FWN 65208-8-A3L
9	72372806	2	NUT	DIN 934 M8-10A3L
15	72325601	1	FILTER HEAD WITHOUT AIR CONDITION <-- G510.201.900.100 1X <>	
	72315494	1	SOCKET HEAD BOLT	DIN 912 M10X30-8.8
	72315498	2	SOCKET HEAD BOLT	DIN 912 M10X40-8.8 OB1-SW
	72325601	1	FILTER HEAD WITH AIR CONDITIONING <-- G510.201.900.100 1X --> 282/3199 <>	
	72374991	1	SOCKET HEAD BOLT	DIN 7984 M10X30-8.8
	72341127	1	FILTER HEAD WITH AIR CONDITIONING >>16,17 <-- 282/3200 <>	
	72374991	1	SOCKET HEAD BOLT	DIN 7984 M10X30-8.8
16	72327149	1	VALVE MANN & HUMMEL 18X1,5 ALTERNATIVELY	
	72325606	1	VALVE DEUTZ 20X1,5 ALTERNATIVELY	
	72341134	1	VALVE MANN & HUMMEL 18X1,5 ALTERNATIVELY	
	72341135	1	VALVE DEUTZ 20X1,5 ALTERNATIVELY	
17	72315099	1	SEALING WASHER	DIN 7603 A18X22-CU
18	72327148	1	MOLDED SEAL	
19	72315683	1	HEXAGONAL HEAD BOLT MANN & HUMMEL	DIN 933 M10X28-10.9
	72374991	1	SOCKET HEAD BOLT DEUTZ	DIN 7984 M10X30-8.8
20	72315689	1	HEXAGONAL HEAD BOLT MANN & HUMMEL	DIN 933 M10X35-8.8A3L
	72315691	1	HEXAGONAL HEAD BOLT MANN & HUMMEL	DIN 933 M10X40-8.8A3L
	72374992	2	SOCKET HEAD BOLT DEUTZ	DIN 7984 M10X40-8.8
21	72317122	3	SPRING WASHER	DIN 137 B10-MECH.VZK
22	72334900	1	OIL FILTER WITHOUT AIR CONDITION	
	72334900	1	OIL FILTER WITH AIR CONDITIONING --> 282/3199	

Item	Part Number	Qty	Description Comments	Technical Specification
	72311026	1	OIL FILTER WITH AIR CONDITIONING <-- 282/3200	
	72340919	1	SCREW NECK WITH AIR CONDITIONING <-- 282/3200 NOT ILLUSTRATED	
23	72321488	1	OIL PRESSURE SENSOR <>	
	72380428	1	SHIELD CAP	
	72314686	1	PLUG IN SLEEVE	

FAVORIT 611 (282/00001-99999)  
329



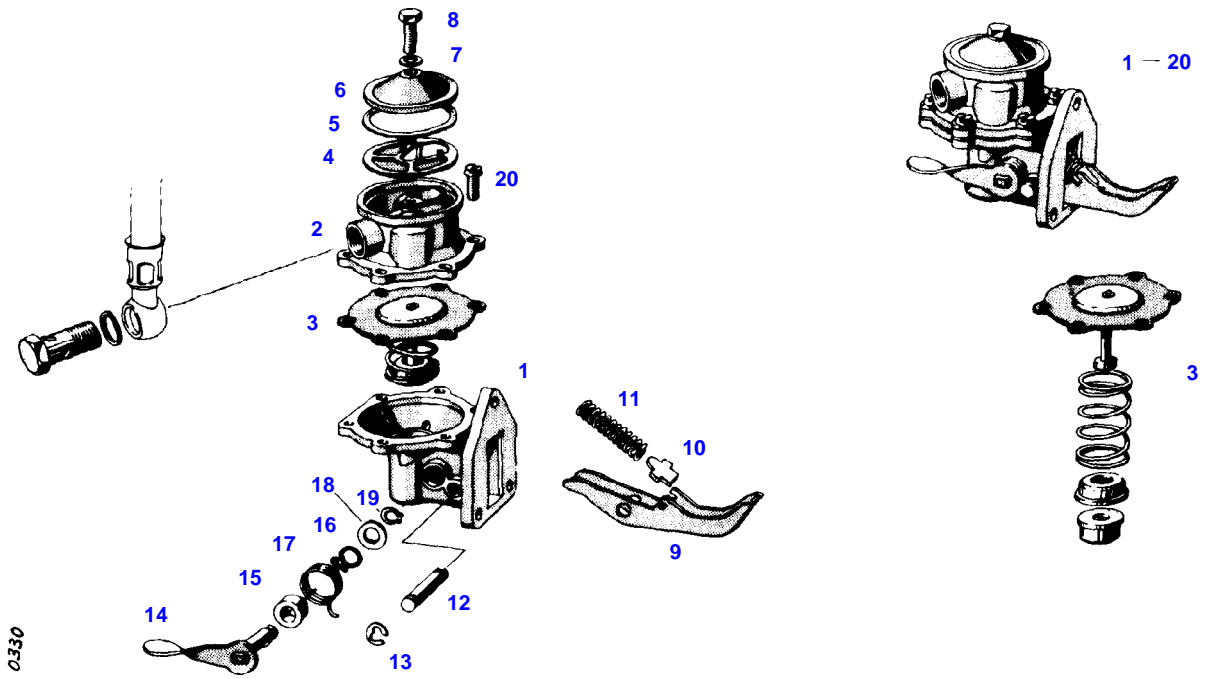
0329

## INJECTION PUMP

Item	Part Number	Qty	Description Comments	Technical Specification
1	72340618	1	INJECTION PUMP ><2-31	
2	72334210	2	SCREW	
3	72315088	2	SEALING WASHER	DIN 7603 A10X13,5-CU
4	72332595	1	COVER ><5	
5	72332200	1	SEALING PLATE	
6	72334895	2	HEXAGONAL HEAD BOLT	
7	72325918	2	SEALING WASHER	
8	72327018	1	FILTER	
9	72327202	1	THREADED BUSHING	
10	72323290	1	BLEED SCREW	
11	72315084	1	SEALING WASHER	DIN 7603 A6X10-CU
12	72315097	2	SEALING WASHER	DIN 7603 A16X20-CU
13	72315808	1	BANJO BOLT	DIN 7643-10-3-A3L
14	72315095	2	SEALING WASHER	DIN 7603 A14X20-CU
15	72332133	6	PRESSURE VALVE	
16	72326997	6	COIL SPRING	
17	72332134	6	SEALING WASHER	
18	72332135	6	PIPE CONNECTION	
19	72332136	6	SEALING WASHER	
20	72614255	6	FILLING PIECE	
21	72378179	1	SEPARABLE BALL BEARING	L17 DIN 615
22	72328694	1	MOLDED SEAL	
	72323645	1	SEAL	
23	72316623	3	STUD BOLT	
24	72313266	3	NUT	DIN 934 M6-8A3L
25	72315052	3	SPLIT WASHER	FWN 65208-6-A3L
26	72373427	1	WOODRUFF KEY	DIN 6888-3X6,5-ST60
27	72378222	1	DEEP GROOVE BALL BEARING	DIN 625-6203 C3
28	72327019	1	RADIAL SEALING RING	
29	72313277	1	NUT	DIN 934-M12-10-A3L
30	72315055	1	SPLIT WASHER	FWN 65208-12-A3L
31	72337466	1	STOP LEVER	
32	72326991	1	MOLDED SEAL	
33	72334209	1	SPUR GEAR	
34			NOT USED	



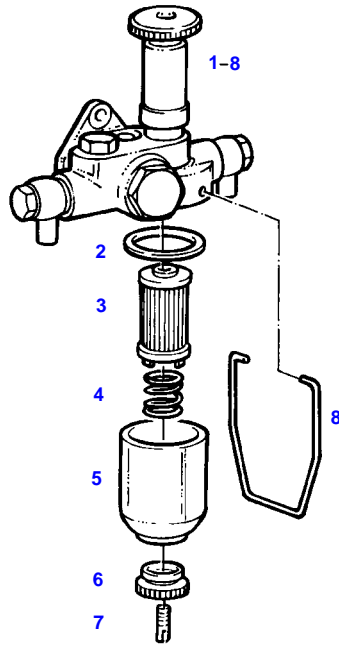
FAVORIT 611 (282/00001-99999)  
330



Item	Part Number	Qty	Description Comments	Technical Specification
			--> 282/0782	
1	72328691	1	FUEL PUMP PIERBURG ><1-20 <-- F150.204.710.013	
	72451618	1	FUEL PUMP BD - TORINO	
			NO LONGER AVAILABLE REPAIR KIT PIERBURG	
	72437162	1	REPAIR KIT BD - TORINO	
			NO SPARE PART	
2			NO SPARE PART	
3	72328697	1	DIAPHRAGM	
4	72328698	1	FUEL FILTER	
5	72328699	1	SEALING WASHER	
6	72328700	1	CAP	
7	72376018	1	SEALING WASHER	DIN 7603 A5X9-VF
8	72335630	1	HEXAGONAL HEAD BOLT	
9	72328701	1	PUMP LEVER	
10	72328702	1	SPRING SEAT	
11	72328703	1	COMPRESSION SPRING	
12	72328704	1	AXLE	
13	72328705	1	FUSE	
14	72328706	1	HAND LEVER	
15	72328707	1	SPACER RING	
16			NOT AVAILABLE IN SINGLE PARTS	
17	72328709	1	RETURN SPRING	
18	72328710	1	MACHINE WASHER	
19			NO LONGER AVAILABLE	
20	72315403	6	SOCKET HEAD BOLT	DIN 84 M5X12-4.8

FAVORIT 611 (282/00001-99999)  
5909

---



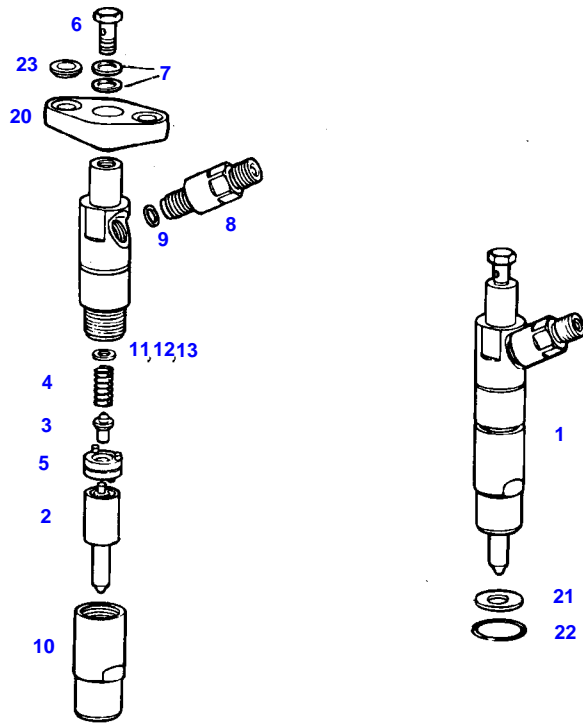
5909

Item	Part Number	Qty	Description Comments
			<-- 282/0783
1	72340155	1	FUEL PUMP ><1-8
2			NOT AVAILABLE IN SINGLE PARTS
3			NOT AVAILABLE IN SINGLE PARTS
4			NOT AVAILABLE IN SINGLE PARTS
5	72340163	1	PARTS KIT ><2-5
6	72340160	1	PARTS KIT ><7,8
7			NOT AVAILABLE IN SINGLE PARTS
8			NOT AVAILABLE IN SINGLE PARTS

FAVORIT 611 (282/00001-99999)  
6073

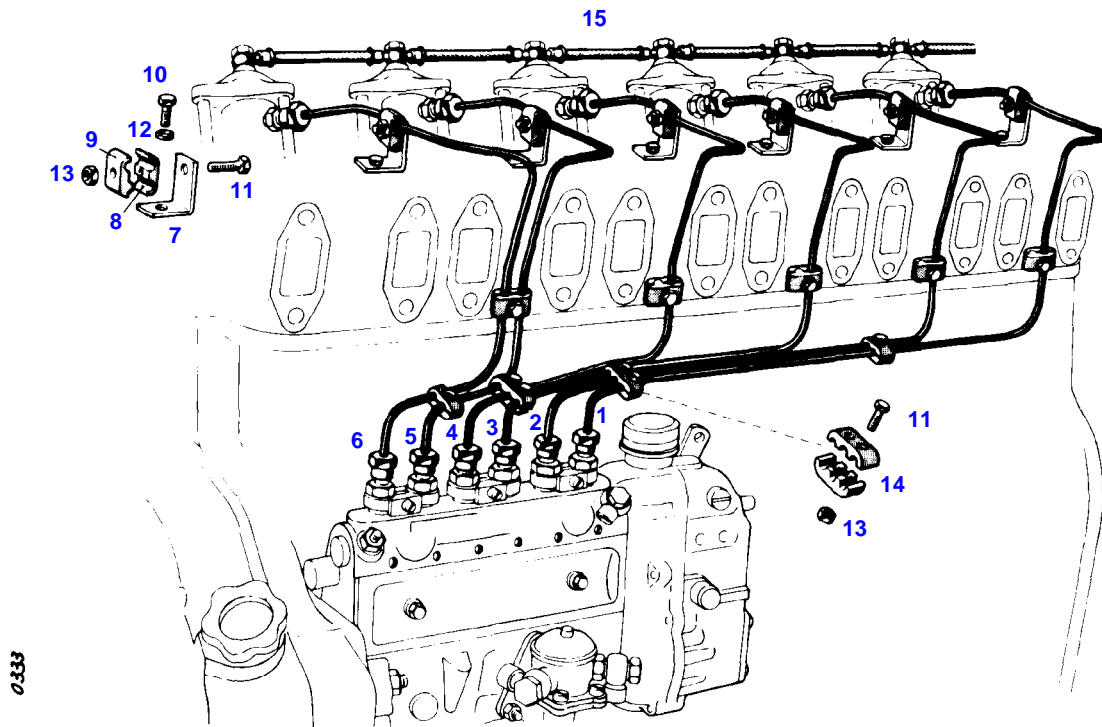


6073



Item	Part Number	Qty	Description Comments	Technical Specification
1	72325892	6	INJECTOR ><1-11 ENG.NO. --> 226.6.2.04279	
	72339466	6	INJECTOR ><1-11 ENG.NO. <-- 226.6.2.04280	
2	72325895	6	MULTIPLE-ORIFICE INJECTOR ENG.NO. --> 226.6.2.04279	
	72339467	6	MULTIPLE-ORIFICE INJECTOR ENG.NO. <-- 226.6.2.04280	
3	72332206	6	PRESSURE BOLT	
4	72325194	6	COIL SPRING ENG.NO. --> 226.6.2.04279	
	72339472	6	COMPRESSION SPRING ENG.NO. <-- 226.6.2.04280	
5	72332207	6	SHIM DISC	
6	72315809	6	BANJO BOLT	DIN 7643-4-5-A3L
7	72376020	12	SEALING WASHER	DIN 7603-A8X12-CU
8	72332208	6	PIPE CONNECTION	
9	72327194	6	SEALING WASHER	
10	72332209	6	CONNECTING NUT	
11	72339468	X	DISC 0,80 MM ENG.NO. <-- 226.6.2.04280	
	72339469	X	DISC 0,85 MM ENG.NO. <-- 226.6.2.04280	
	72339470	X	DISC 0,90 MM ENG.NO. <-- 226.6.2.04280	
	72339471	X	DISC 0,95 MM ENG.NO. <-- 226.6.2.04280	
	72319287	X	DISC 1,00 MM	
12	72319288	X	DISC 1,10 MM	
	72319289	X	DISC 1,15 MM	
	72319290	X	DISC 1,20 MM	
	72319291	X	DISC 1,30 MM	
	72319292	X	DISC 1,40 MM	
13	72319293	X	DISC 1,50 MM	
	72319294	X	DISC 1,60 MM	
20	72332210	6	RETAINER BOW	
21	72343954	6	SEALING WASHER	
22	72376457	6	O-RING	20X2-NBR 70-FWN56402
23	72332214	12	SPHERICAL WASHER	

FAVORIT 611 (282/00001-99999)  
333



0333

Thank you so much for reading.  
Please click the “Buy Now!”  
button below to download the  
complete manual.



After you pay.

You can download the most  
perfect and complete manual in  
the world immediately.

Our support email:

[ebooklibonline@outlook.com](mailto:ebooklibonline@outlook.com)