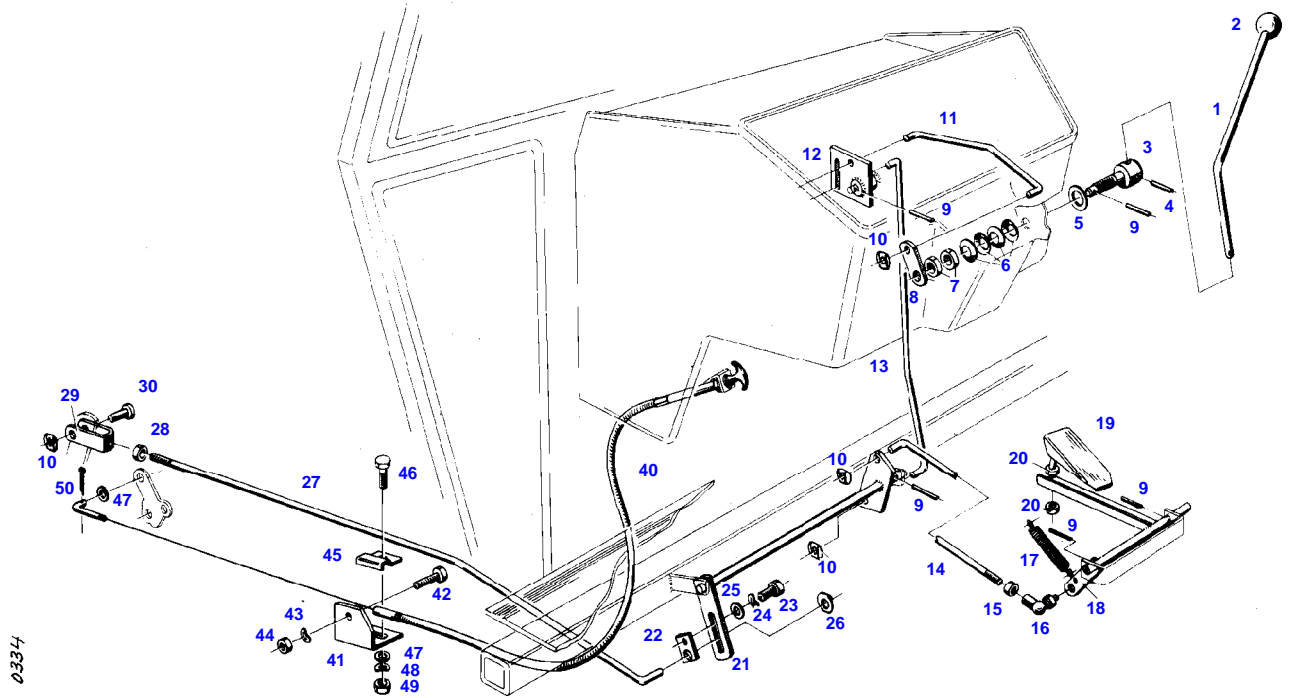


Page Number	Page Title	Page Reference
01-000-TOC	ENGINE, FUEL AND EXHAUST SYSTEM	01-000-TOC
02-000-TOC	AXLES	02-000-TOC
03-000-TOC	STEERING SYSTEM	03-000-TOC
04-000-TOC	DRIVE TRAIN SYSTEM	04-000-TOC
05-000-TOC	COMPRESSED AIR SYSTEM	05-000-TOC
06-000-TOC	HYDRAULIC SYSTEM	06-000-TOC
07-000-TOC	ELECTRICAL SYSTEM	07-000-TOC
08-000-TOC	CAB	08-000-TOC
09-000-TOC	AIR CONDITIONING AND HEATING SYSTEM	09-000-TOC
10-000-TOC	CHASSIS	10-000-TOC
11-000-TOC	WHEELS	11-000-TOC
12-000-TOC	IMPLEMENT LIFT SYSTEM FRONT	12-000-TOC
13-000-TOC	IMPLEMENT LIFT SYSTEM REAR	13-000-TOC
14-000-TOC	FRONT/REAR LOADERS	14-000-TOC
15-000-TOC	ACCESSORIES	15-000-TOC

Page Number	Page Title	Page Reference
01-0001	SPEED CONTROL ENGINE STOP --> 284/0435	2010
01-0002	SPEED CONTROL ENGINE STOP <-- 284/0436	2015
01-0003	SPEED CONTROL REVERSE DRIVING IMPLEMENT --> 284/0914 <-- 284/0936 --> 284/0936	2020
01-0004	SPEED CONTROL REVERSE DRIVING IMPLEMENT <-- 284/0915 --> 284/0935 <-- 284/0937	2025
01-0005	WATER COOLED RADIATOR --> 284/0463	2030
01-0006	WATER COOLED RADIATOR <-- 284/0464	2035
01-0007	WATER COOLED RADIATOR WITH AIR CONDITIONING <-- 284/0960	2045
01-0008	COOLING SYSTEM CENTRIFUGAL PUMP PIPE WITHOUT AIR CONDITION	2050
01-0009	COOLING SYSTEM CENTRIFUGAL PUMP PIPE WITH AIR CONDITIONING <-- 284/0960	2060
01-0010	OIL COOLER WITH AIR CONDITIONING <-- 284/0960	2065
01-0011	FUEL TANK	2070
01-0012	FUEL FILTER FUEL LINES --> 284/0375	2072
01-0013	FUEL FILTER FUEL LINES <-- 284/0376	2074
01-0014	AIR FILTER PICLON	2080
01-0015	AIR FILTER PICO	2085
01-0016	TURBO-SUPERCHARGER	2090
01-0017	EXHAUST	2100
01-0018	EXHAUST BRAKE ENGINE STOP <-- 284/0919	2110
01-0019	TRACTOMETER SYSTEM	2120
01-0020	COLD STARTING AID --> 284/0210	2130
01-0021	COLD STARTING AID <-- 284/0211 --> 284/0866	2140
01-0022	COLD STARTING AID <-- 284/0867 --> 284/1044	2150
01-0023	COLD STARTING AID <-- 284/1045	2160
01-0024	CRANKCASE	2170
01-0025	FRONT COVER FLYWHEEL HOUSING	2180
01-0026	CYLINDER HEAD	2190
01-0027	CRANKSHAFT PISTON	2200
01-0028	CAMSHAFT	2210
01-0029	VALVE DRIVE	2220

Page Number	Page Title	Page Reference
01-0030	OIL GEAR PUMP OIL FILTER	2230
01-0031	INJECTION PUMP ENGINE NUMBER --> 226.6.2.92902	2240
01-0032	INJECTION PUMP ENGINE NUMBER <-- 226.6.2.92903	2245
01-0033	FUEL PUMP --> 284/0375	2250
01-0034	FUEL PUMP <-- 284/0376	2255
01-0035	INJECTOR VALVE	2260
01-0036	FUEL PRESSURE LINES	2270

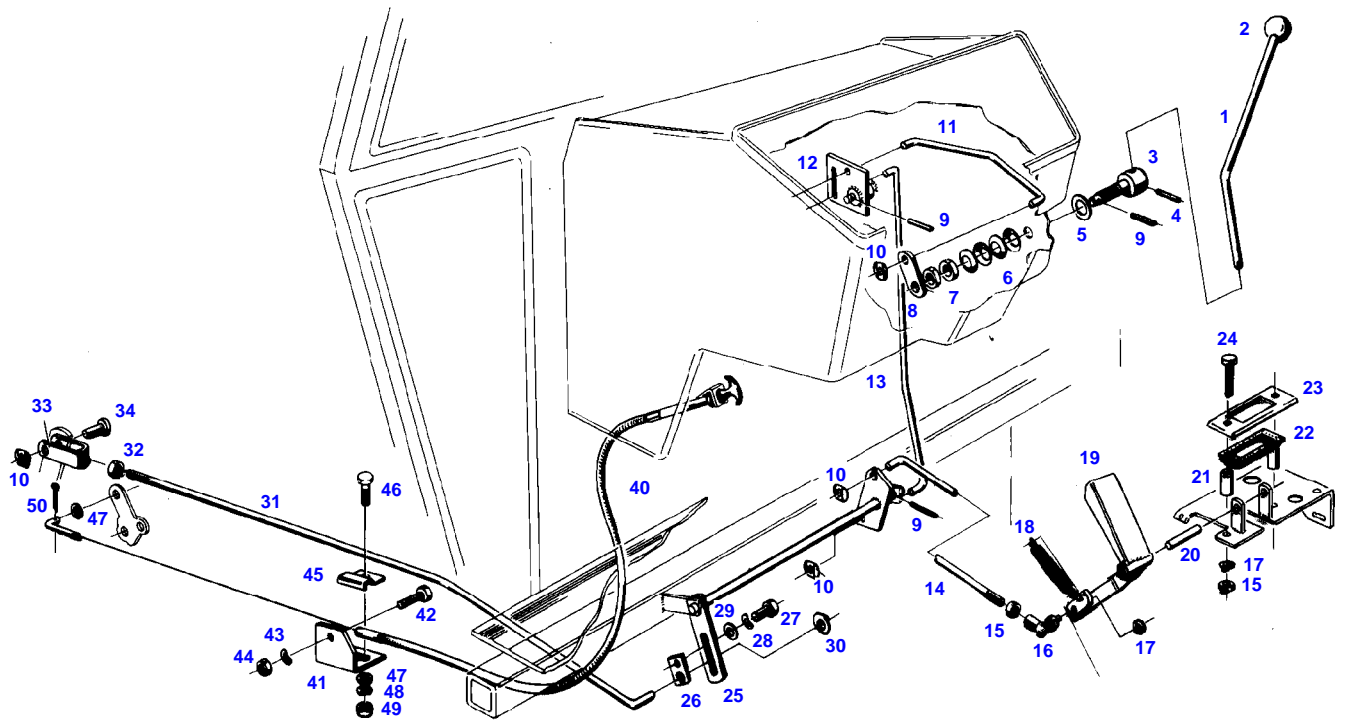
FAVORIT 614 (284/00001-99999)
334



0334

Item	Part Number	Qty	Description Comments	Technical Specification
			ENGINE STOP --> 284/0435	
1	72404903	1	LEVER	
2	72393661	1	HANDLE GRIP	
3	72404904	1	BOLT	
4	72375134	1	TENSIONING PIN	ISO8752-4X30-A-ST-OB3 FWN10256
	72428239	1	TENSIONING PIN	ISO8752-2,5X22-OB3
5	72422379	1	FRICTION WASHER	
6	72316459	4	DISK SPRING	28X14,2X1,25
7	72372883	2	NUT	DIN 936 M14-17H
8	72404909	1	LEVER	
9	72313803	5	TENSIONING PIN	ISO8752-4X20-A-ST-ZNPHR10F-KOE
10	72311179	5	DUO-CLIP	6 SXN10
11	72404908	1	ROD	
12	72362030	1	REVERSING LEVER	
13	72404907	1	ROD	
14	72404906	1	ROD	
15	72313266	1	NUT	DIN 934 M6-8A3L
16	72316303	1	BALL SOCKET	DIN 71805 B10-A3L
			<>	
	72317189	1	SECURING CLIP	DIN71805 S10-A3L
	72313852	1	BALL PIN	DIN 71803-C10-ST-A3L
	72313266	1	NUT	DIN 934 M6-8A3L
	72315052	1	SPLIT WASHER	FWN 65208-6-A3L
			NOT ILLUSTRATED	
17	72316492	1	PULLING SPRING	
18	72362029	1	SHAFT	
19	72362031	1	PEDAL	
20	72313293	2	NUT	DIN 936 M10-17H A3L
	72375532	1	DISC	DIN 463-10,5-ST
			NOT ILLUSTRATED	
21	72362028	1	SHAFT	
22	72404910	1	ADJUSTING PLATE	
23	72315626	1	HEXAGONAL HEAD BOLT	DIN 933-M6 X 16-8.8-A3L
24	72317120	1	SPRING WASHER	DIN 137 B6-MECH.VZK
25	72311787	1	DISC	DIN 125-6,4-ST.A3L
26	72311180	1	DUO-CLIP	8 SXN10
27	72404905	1	ROD	
28	72313268	1	NUT	DIN 934 M8-8A3L
29	72394562	1	CLEVIS	
30	72372462	1	BOLT	DIN 1436 6H11X22X18-UST36-2A3L
40	72350277	1	STOP CABLE	
			<>	
	72409005	1	ANGLE	
	72310448	1	BOLT	FWN 64072 6X24 A3L
	72311308	1	CLEVIS	DIN 71752 G6X24-A3L
	72343546	1	PULL HANDLE	
			RED	
			NOT ILLUSTRATED	
41	72404902	1	ANGLE	
42	72315653	1	HEXAGONAL HEAD BOLT	DIN 933 M8 X 25-8.8A3L
43	72315053	1	SPLIT WASHER	FWN 65208-8-A3L
44	72313268	1	NUT	DIN 934 M8-8A3L
45	72388768	1	CLAMP	
46	72315626	1	HEXAGONAL HEAD BOLT	DIN 933-M6 X 16-8.8-A3L
47	72311787	2	DISC	DIN 125-6,4-ST.A3L
48	72315052	1	SPLIT WASHER	FWN 65208-6-A3L
49	72313266	1	NUT	DIN 934 M6-8A3L
50	72313873	1	COTTER	DIN 94-2X12-ST.A3L

FAVORIT 614 (284/00001-99999)
884

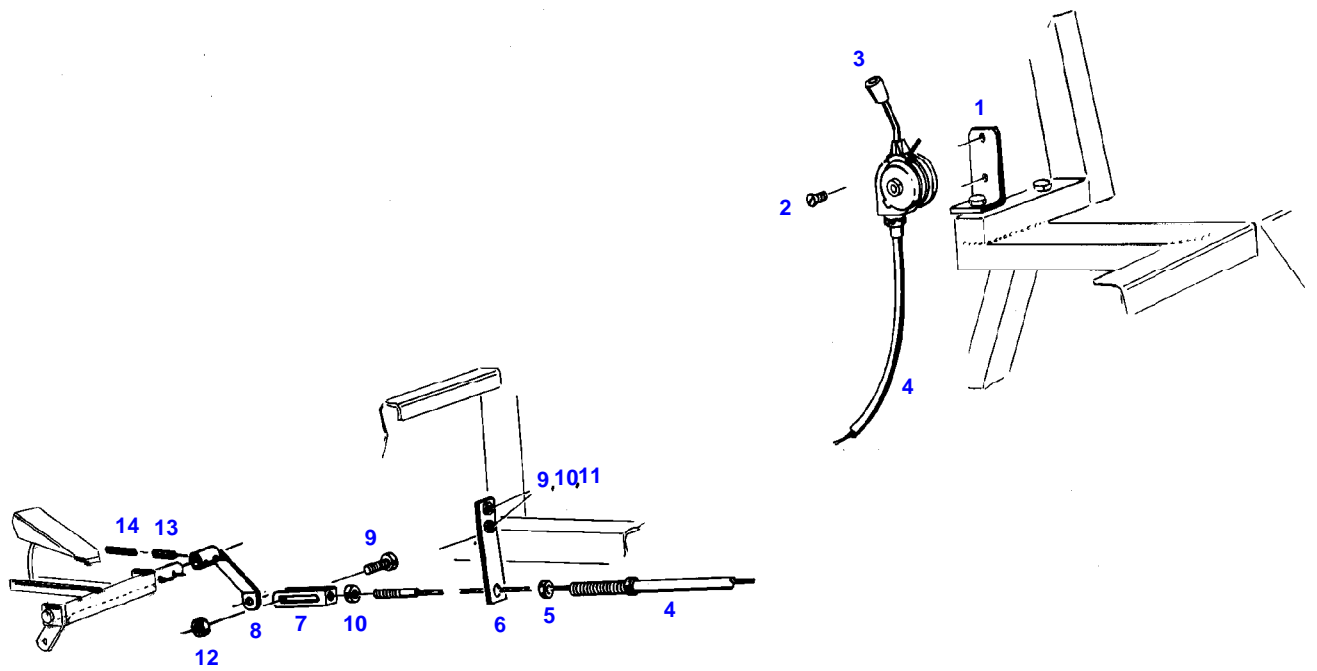


78887

Item	Part Number	Qty	Description Comments	Technical Specification
			ENGINE STOP <-- 284/0436	
1	72404903	1	LEVER	
2	72393661	1	HANDLE GRIP	
3	72404904	1	BOLT	
4	72375134	1	TENSIONING PIN	ISO8752-4X30-A-ST-OB3 FWN10256
	72428239	2	TENSIONING PIN	ISO8752-2,5X22-OB3
5	72422379	1	FRICTION WASHER	
6	72316459	4	DISK SPRING	28X14,2X1,25
7	72372883	2	NUT	DIN 936 M14-17H
8	72404909	1	LEVER	
9	72313803	3	TENSIONING PIN	ISO8752-4X20-A-ST-ZNPHR10F-KOE
10	72311179	5	DUO-CLIP	6 SXN10
11	72404908	1	ROD	
12	72362030	1	REVERSING LEVER	
13	72404907	1	ROD	
14	72404782	1	DRAFT ROD	
15	72313266	3	NUT	DIN 934 M6-8A3L
16	72316303	1	BALL SOCKET	DIN 71805 B10-A3L
			<>	
	72317189	1	SECURING CLIP	DIN71805 S10-A3L
	72313266	1	NUT	DIN 934 M6-8A3L
	72313852	1	BALL PIN	DIN 71803-C10-ST-A3L
17	72315052	3	SPLIT WASHER	FWN 65208-6-A3L
18	72316492	1	PULLING SPRING	
19	72361970	1	PEDAL	
			<>	
	72404789	1	ANGLE	
	72315626	3	HEXAGONAL HEAD BOLT	DIN 933-M6 X 16-8.8-A3L
	72315052	3	SPLIT WASHER	FWN 65208-6-A3L
	72361969	1	BY PASS	
	72313266	3	NUT	DIN 934 M6-8A3L
	72361969	1	BY PASS	
			NOT ILLUSTRATED	
			<>	
	72315626	3	HEXAGONAL HEAD BOLT	DIN 933-M6 X 16-8.8-A3L
	72361970	1	PEDAL	
	72315052	3	SPLIT WASHER	FWN 65208-6-A3L
	72404789	1	ANGLE	
	72313266	3	NUT	DIN 934 M6-8A3L
	72373205	1	PLASTIC RIVET	6
			<-- 284/0529	
			NOT ILLUSTRATED	
	72404789	1	ANGLE	
			<-- 284/0529	
			NOT ILLUSTRATED	
	72315626	1	HEXAGONAL HEAD BOLT	DIN 933-M6 X 16-8.8-A3L
			<-- 284/0529	
			NOT ILLUSTRATED	
	72313266	1	NUT	DIN 934 M6-8A3L
			<-- 284/0529	
			NOT ILLUSTRATED	
	72311787	2	DISC	DIN 125-6,4-ST.A3L
			<-- 284/0529	
			NOT ILLUSTRATED	
	72315052	1	SPLIT WASHER	FWN 65208-6-A3L
			<-- 284/0529	
			NOT ILLUSTRATED	
20	72404783	1	BOLT	
21	72404784	2	SPACER TUBE	
22	72404786	1	SEAL	
23	72404785	1	COVER PLATE	
24	72315637	2	HEXAGONAL HEAD BOLT	DIN 933 M6X45-8.8A3L

Item	Part Number	Qty	Description Comments	Technical Specification
25	72362028	1	SHAFT --> 284/0528	
	72361966	1	SHAFT <-- 284/0529	
26	72404910	1	ADJUSTING PLATE	
27	72315626	1	HEXAGONAL HEAD BOLT	DIN 933-M6 X 16-8.8-A3L
28	72317120	1	SPRING WASHER	DIN 137 B6-MECH.VZK
29	72311787	1	DISC	DIN 125-6,4-ST.A3L
30	72311180	1	DUO-CLIP	8 SXN10
31	72404905	1	ROD	
32	72313268	1	NUT	DIN 934 M8-8A3L
33			NO LONGER AVAILABLE	
34	72372462	1	BOLT	DIN 1436 6H11X22X18-UST36-2A3L
40	72350277	1	STOP CABLE <>	
	72310448	1	BOLT	FWN 64072 6X24 A3L
	72409005	1	ANGLE	
	72311308	1	CLEVIS	DIN 71752 G6X24-A3L
	72343546	1	PULL HANDLE RED NOT ILLUSTRATED	
41	72404902	1	ANGLE	
42	72315653	1	HEXAGONAL HEAD BOLT	DIN 933 M8 X 25-8.8A3L
43	72315053	1	SPLIT WASHER	FWN 65208-8-A3L
44	72313268	1	NUT	DIN 934 M8-8A3L
45			NO LONGER AVAILABLE	
46	72315626	1	HEXAGONAL HEAD BOLT	DIN 933-M6 X 16-8.8-A3L
47	72311787	2	DISC	DIN 125-6,4-ST.A3L
48	72315052	1	SPLIT WASHER	FWN 65208-6-A3L
49	72313266	1	NUT	DIN 934 M6-8A3L
50	72313873	1	COTTER	DIN 94-2X12-ST.A3L

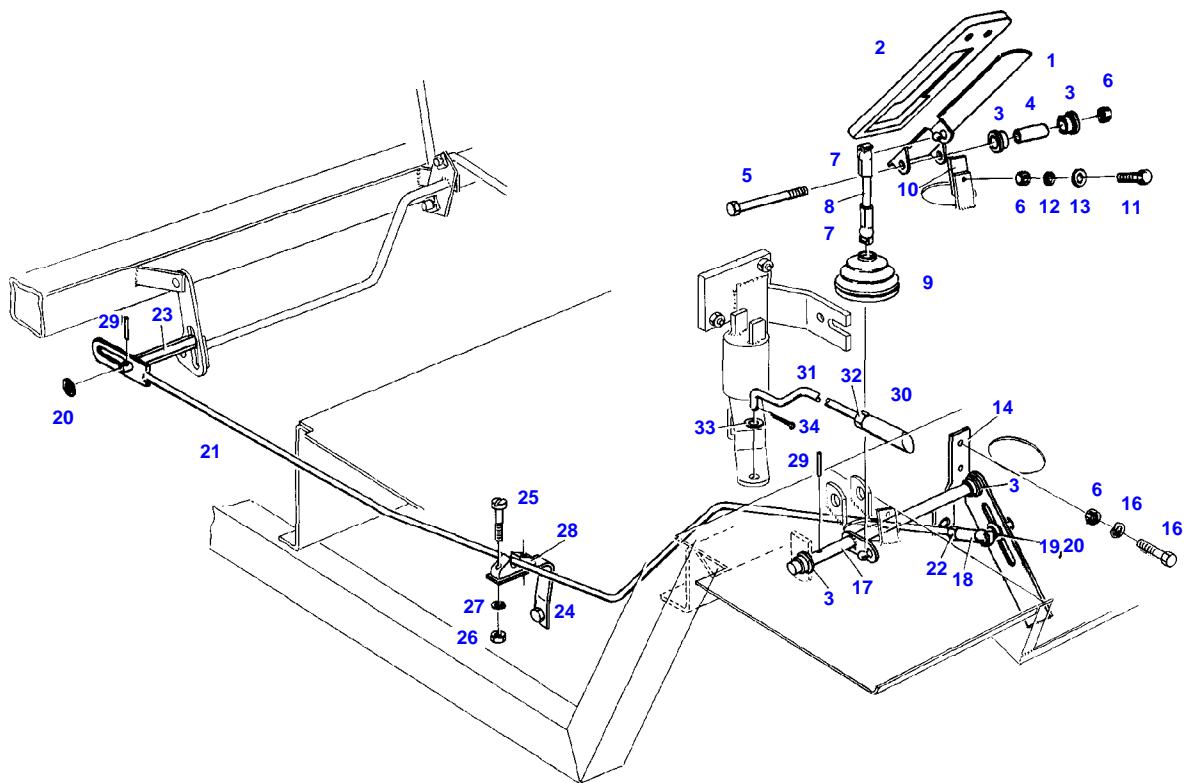
FAVORIT 614 (284/00001-99999)
463



0463

Item	Part Number	Qty	Description Comments	Technical Specification
			REVERSE DRIVING IMPLEMENT --> 284/0914 <-- 284/0936 --> 284/0936	
1	72405404	1	RETAINER	
2	72375017	2	COUNTERSUNK CAPSCREW	DIN 7991 M8X12-8.8
3	72332384	1	REGULATOR LEVER	
4	72349753	1	CONTROL CABLE	
5	72372813	1	NUT	DIN 934 M10X1-8A3L
6	72405405	1	RETAINER	
7	72405408	1	FORK	
8			NO LONGER AVAILABLE --> 284/0435	
	72405407	1	ANGLE <-- 284/0436 --> 284/0528	
	72405406	1	ANGLE <-- 284/0529	
	72315631	2	HEXAGONAL HEAD BOLT <-- 284/0436 --> 284/0528 NOT ILLUSTRATED	DIN 933 M6 X 20-8.8A3L
	72315629	2	HEXAGONAL HEAD BOLT <-- 284/0529 NOT ILLUSTRATED	DIN 933 M6 X 12-8.8A3L
	72313266	2	NUT <-- 284/0436 --> 284/0528 NOT ILLUSTRATED	DIN 934 M6-8A3L
9	72315633	3	HEXAGONAL HEAD BOLT	DIN 933 M6X25-8.8A3L
10	72313266	3	NUT	DIN 934 M6-8A3L
11	72311787	2	DISC	DIN 125-6,4-ST.A3L
12	72313318	1	NUT	DIN6925-M6-8-A3L
13	72313803	2	TENSIONING PIN --> 284/0435	ISO8752-4X20-A-ST-ZNPHR10F-KOE
			NOT USED <-- 284/0436	
14	72375112	2	TENSIONING PIN --> 284/0435	ISO8752-2,5X24A-ST-ZNPHR10FKOE
			NOT USED <-- 284/0436	

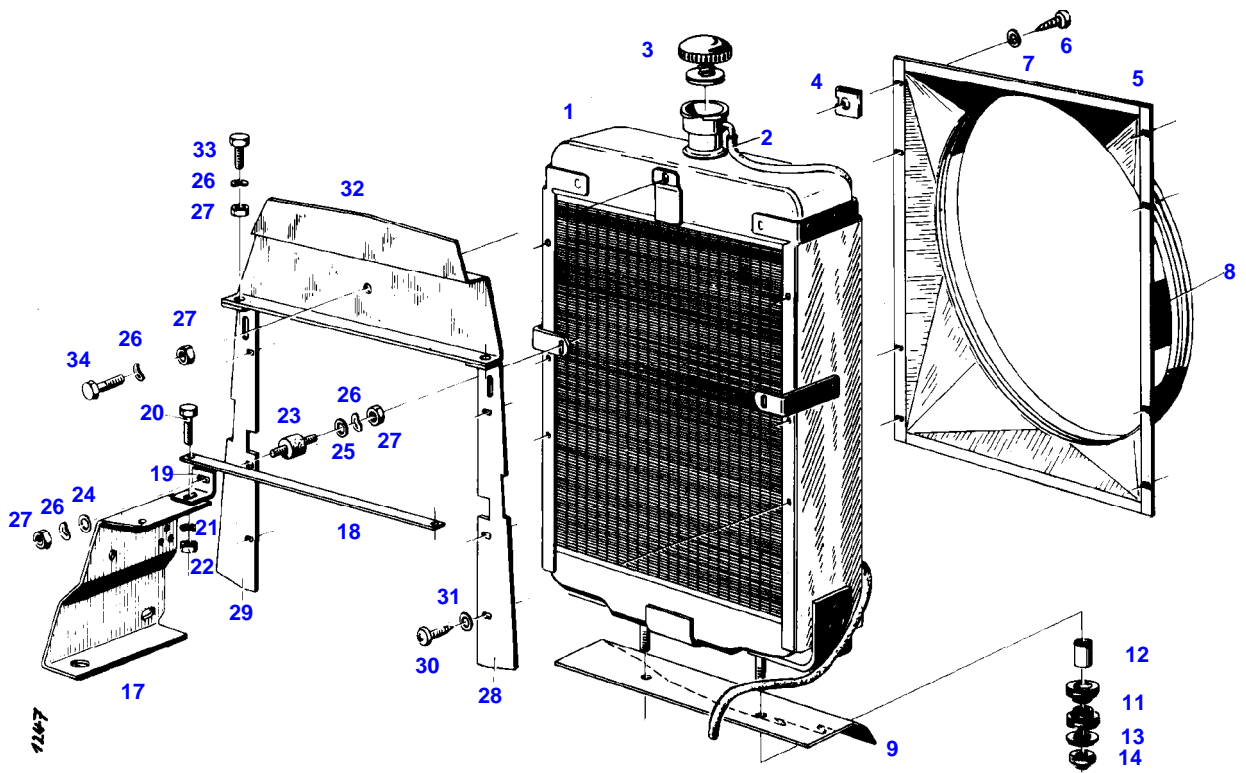
FAVORIT 614 (284/00001-99999)
2522



2522

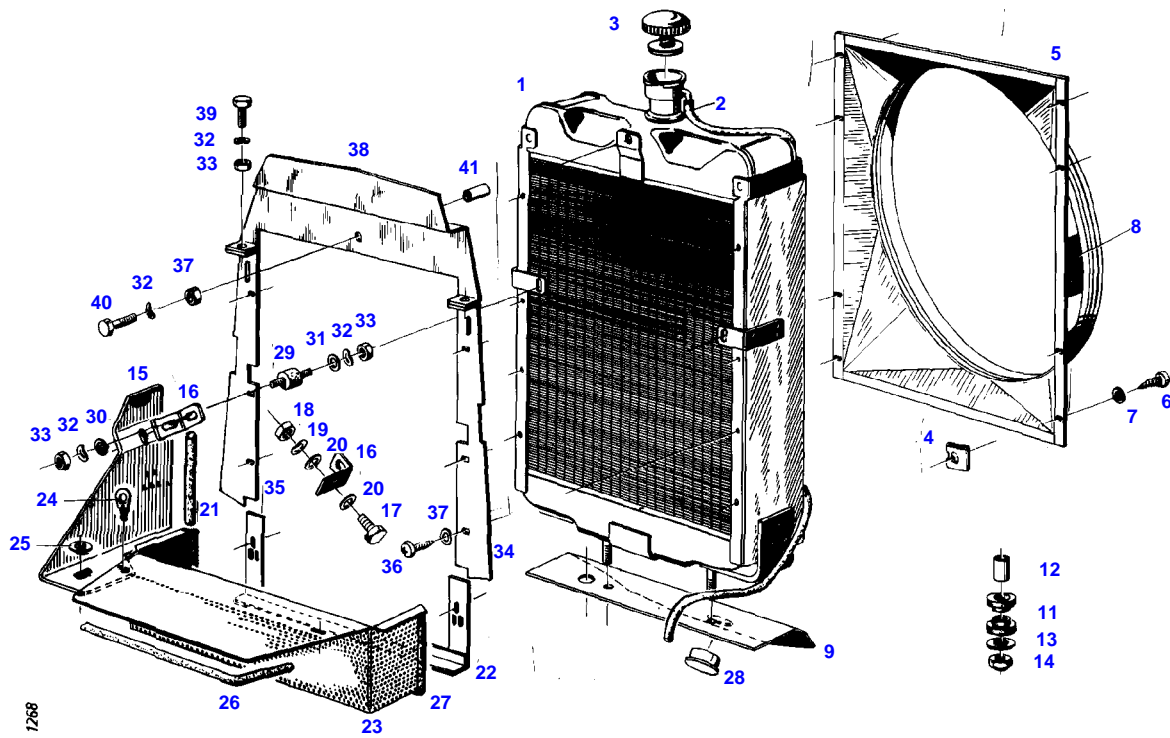
Item	Part Number	Qty	Description Comments	Technical Specification
			REVERSE DRIVING IMPLEMENT <-- 284/0915 --> 284/0935 <-- 284/0937	
1	72355714	1	PEDAL	
2	72393658	1	PEDAL COATING	
3	72393653	4	BUSH	
4	72314272	1	PIPE	
5	72315521	1	HEXAGONAL HEAD BOLT	DIN 931 M6X60-8.8A3L
6	72313266	5	NUT	DIN 934 M6-8A3L
7	72316305	2	BALL SOCKET	10SXN03R
8	72406013	1	THREADED PIN	
9	72377261	1	BELLOWS	
10	72393662	1	PLATE LINK	
11	72315626	1	HEXAGONAL HEAD BOLT	DIN 933-M6 X 16-8.8-A3L
12	72315052	1	SPLIT WASHER	FWN 65208-6-A3L
13	72311822	1	DISC	DIN9021-6,4-140HV-A3L
14	72406012	1	PLATE LINK	
15	72315631	2	HEXAGONAL HEAD BOLT	DIN 933 M6 X 20-8.8A3L
16	72317120	2	SPRING WASHER	DIN 137 B6-MECH.VZK
17	72362597	1	SHAFT	
18	72375269	1	ANGLE JOINT	
19	72317121	1	SPRING WASHER	DIN 137 B8-MECH.VZK
20	72311824	3	DISC	DIN9021-8,4-140HV-A3L
21	72362599	1	ROD	
			<>	
	72406016	1	RETAINER	
	72310698	1	UNIVERSAL SPOUT	
22	72313268	1	NUT	DIN 934 M8-8A3L
23	72406010	1	INTERMEDIATE PIECE	
24	72406016	1	RETAINER	
			<>	
	72406012	1	PLATE LINK	
	72310698	1	UNIVERSAL SPOUT	
	72310698	1	UNIVERSAL SPOUT NOT ILLUSTRATED	
25	72373999	2	SOCKET HEAD BOLT	DIN 912 M5X20-8.8
26	72313264	2	NUT	DIN 934 M5-8A3L
27	72315051	2	SPLIT WASHER	FWN 65208-5-A3L
28	72353861	1	RETAINER	
29	72313796	2	TENSIONING PIN	ISO8752-3X18-A-ST-OB3 FWN10256
30	72406015	1	THRUST PIECE	
31	72406014	1	ROD	
32	72313272	1	NUT	DIN 934 M10-8A3L
33	72311789	1	DISC	DIN 125-10,5-ST.A3L
34	72313875	1	COTTER	DIN 94-3,2X16-ST.A3L

FAVORIT 614 (284/00001-99999)
1247



Item	Part Number	Qty	Description Comments	Technical Specification
			--> 284/0463	
1	72349804	1	RADIATOR CORE ><2-4	
	72349805	1	RADIATOR CORE ><2-4 TROPICAL VERSION	
2	72436028	1	HOSE	L=1500FWN65912-10X2-PVC-W-G
3	72478248	1	COLLER LOCKING	
4	72329197	8	SPEED NUT	
5	72362525	1	FAN COVER	
	72362527	1	FAN COVER TROPICAL VERSION	
6	72315819	8	SCREW	DIN7976-ST4,8X13-C-A3L
7	72311818	8	DISC	DIN9021-5,3-140HV-A3L
8	72379109	2	MARKING PLATE	FWN66556-35X68-SCHUTZVORR.N.OE
9	72405865	1	SPLASH PANEL	
11	72311639	4	RADIATOR DAMPER	
12	72310742	2	BUSH	
13	72311849	2	DISC	
14	72313327	2	NUT	DIN 980-VM14-8-A3L
17	72404924	1	RETAINER RIGHT	
	72404923	1	RETAINER LEFT	
	72404926	1	STRAINER <-- 284/0211 NOT ILLUSTRATED	
	72451141	2	PROTECTIVE STRIP 2X 550 MM CUT TO LENGTH <-- 284/0211 NOT ILLUSTRATED	L=800 FWN 63040
18	72404922	1	BRACE	
19	72404912	2	ANGLE	
20	72315650	2	HEXAGONAL HEAD BOLT	DIN 933 M8 X 20-8.8A3L
21	72317121	2	SPRING WASHER	DIN 137 B8-MECH.VZK
22	72313268	2	NUT	DIN 934 M8-8A3L
23	72310623	2	BUFFER	
24	72311787	2	DISC	DIN 125-6,4-ST.A3L
25	72311822	2	DISC	DIN9021-6,4-140HV-A3L
26	72317120	7	SPRING WASHER	DIN 137 B6-MECH.VZK
27	72313266	7	NUT	DIN 934 M6-8A3L
28	72404914	1	BARRIER WALL LEFT	
29	72404915	1	BARRIER WALL RIGHT	
30	72315781	6	SCREW	DIN 7981 ST3,5X9,5-C-H-A3
31	72311817	6	DISC	DIN9021-4,3-140HV-A3L
32	72404928	1	SPLASH PANEL	
33	72315629	2	HEXAGONAL HEAD BOLT	DIN 933 M6 X 12-8.8A3L
34	72315631	1	HEXAGONAL HEAD BOLT	DIN 933 M6 X 20-8.8A3L
	72315636	1	HEXAGONAL HEAD BOLT TROPICAL VERSION	DIN 933 M6X40-8.8A3L
	72386452	1	PIPE PIECE TROPICAL VERSION NOT ILLUSTRATED	

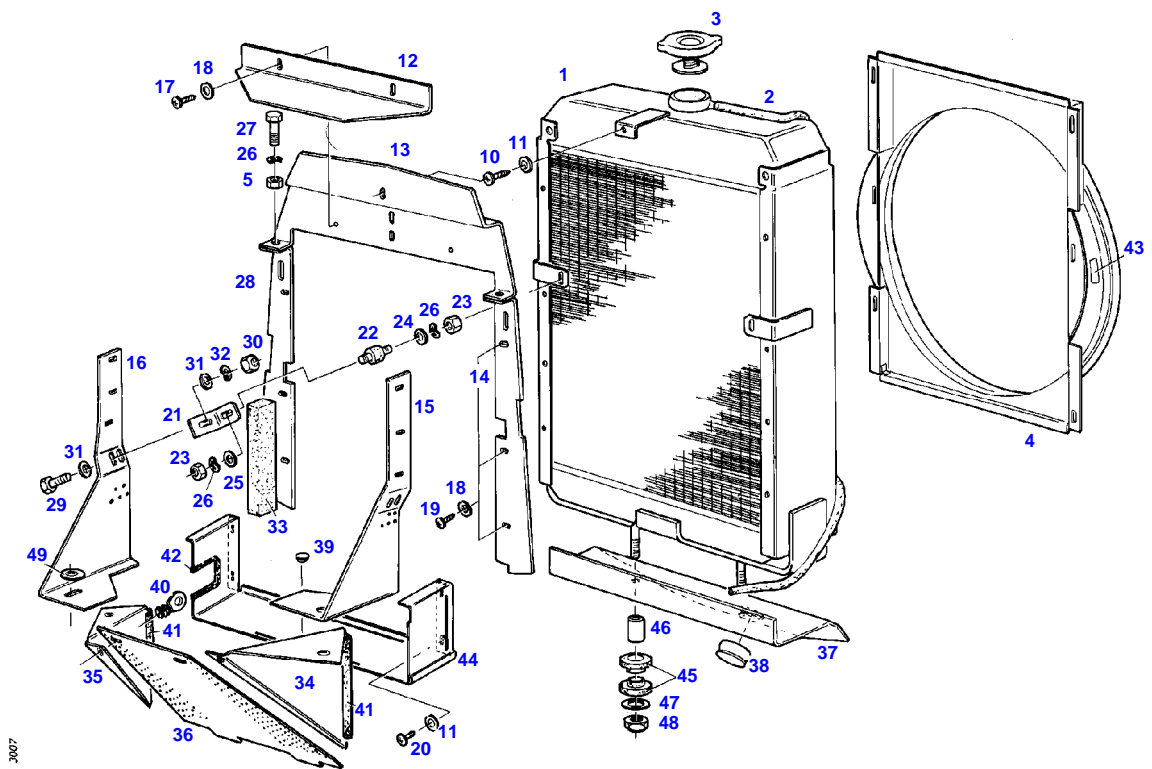
FAVORIT 614 (284/00001-99999)
1268



Item	Part Number	Qty	Description Comments	Technical Specification
			<-- 284/0464	
1	72349804	1	RADIATOR CORE ><2-4	
	72349805	1	RADIATOR CORE ><2-4 TROPICAL VERSION	
2	72436028	1	HOSE	L=1500FWN65912-10X2-PVC-W-G
3	72478248	1	COLLER LOCKING	
4	72329197	8	SPEED NUT	
5	72362525	1	FAN COVER	
	72362527	1	FAN COVER TROPICAL VERSION	
6	72315819	8	SCREW	DIN7976-ST4,8X13-C-A3L
7	72311818	8	DISC	DIN9021-5,3-140HV-A3L
8	72379109	2	MARKING PLATE	FWN66556-35X68-SCHUTZVORR.N.OE
9	72405865	1	SPLASH PANEL	
11	72311639	4	RADIATOR DAMPER	
12	72310742	2	BUSH	
13	72311849	2	DISC	
14	72313327	2	NUT	DIN 980-VM14-8-A3L
15	72405993	1	RETAINER RIGHT	
	72405991	1	RETAINER LEFT	
16	72405776	2	ANGLE	
17	72315650	2	HEXAGONAL HEAD BOLT	DIN 933 M8 X 20-8.8A3L
18	72313268	2	NUT	DIN 934 M8-8A3L
19	72317121	2	SPRING WASHER	DIN 137 B8-MECH.VZK
20	72311788	4	DISC	DIN 125-8,4-ST.A3L
21			NO LONGER AVAILABLE	
22	72362499	1	FRAME	
23			NO LONGER AVAILABLE	
	72405999	1	COVER PLATE <-- 284/1001 NOT ILLUSTRATED	
	72315789	2	SCREW <-- 284/1001 NOT ILLUSTRATED	DIN 7981 ST4,8X9,5-C-H-A3
	72311818	2	DISC <-- 284/1001 NOT ILLUSTRATED	DIN9021-5,3-140HV-A3L
24	72334276	1	CATCH	
25	72311793	2	DISC	DIN 125-17-ST.A3L
26	72451141	1	PROTECTIVE STRIP 1X 690 MM CUT TO LENGTH	L=800 FWN 63040
27	72451141	1	PROTECTIVE STRIP 1X 745 MM CUT TO LENGTH	L=800 FWN 63040
28	72375084	1	LOCKING PLUG	SW-F35
29	72310623	2	BUFFER	
30	72311787	2	DISC	DIN 125-6,4-ST.A3L
31	72311822	2	DISC	DIN9021-6,4-140HV-A3L
32	72317120	7	SPRING WASHER	DIN 137 B6-MECH.VZK
33	72313266	7	NUT	DIN 934 M6-8A3L
34	72404914	1	BARRIER WALL LEFT	
35	72404915	1	BARRIER WALL RIGHT	
36	72315781	6	SCREW	DIN 7981 ST3,5X9,5-C-H-A3
37	72311817	6	DISC	DIN9021-4,3-140HV-A3L
38	72404928	1	SPLASH PANEL	

Item	Part Number	Qty	Description Comments	Technical Specification
39	72315629	2	HEXAGONAL HEAD BOLT	DIN 933 M6 X 12-8.8A3L
40	72315631	1	HEXAGONAL HEAD BOLT	DIN 933 M6 X 20-8.8A3L
	72315636	1	HEXAGONAL HEAD BOLT TROPICAL VERSION	DIN 933 M6X40-8.8A3L
41	72386452	1	PIPE PIECE TROPICAL VERSION	

FAVORIT 614 (284/00001-99999)
3007

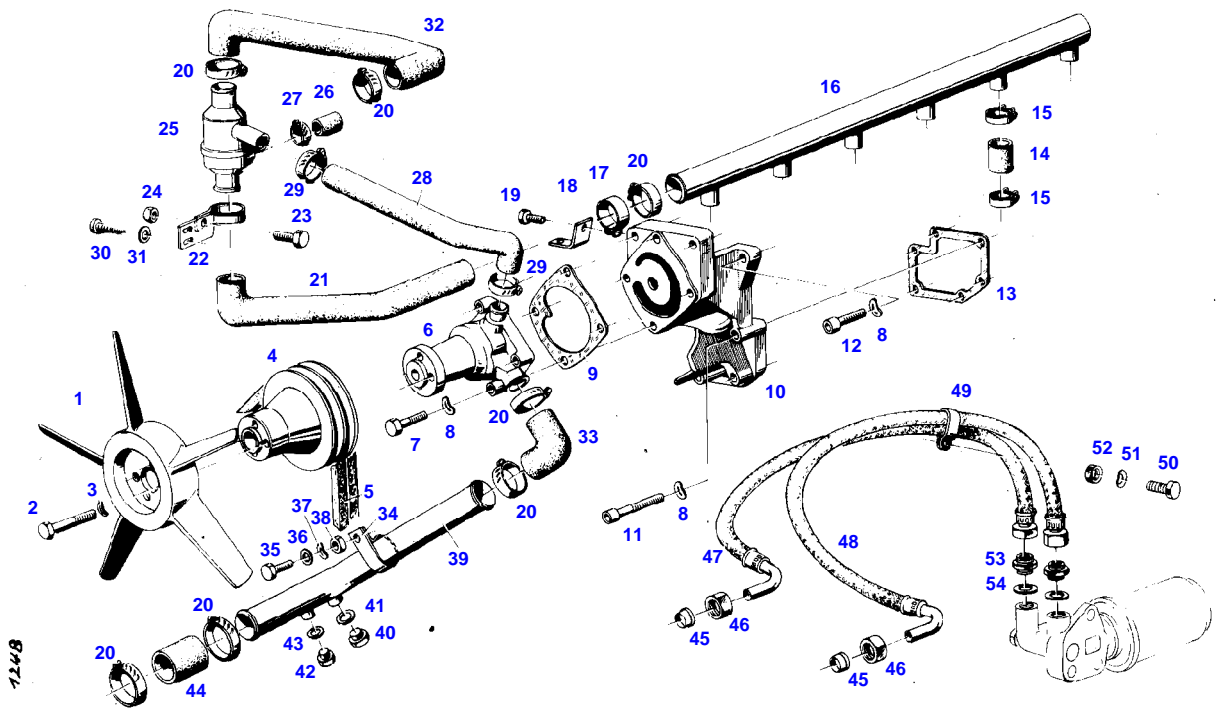


3007

Item	Part Number	Qty	Description Comments	Technical Specification
			WITH AIR CONDITIONING <-- 284/0960	
1	72471948	1	NO LONGER AVAILABLE ><2-5 --> 284/1003 <-- 284/1005	
	72349838	1	RADIATOR CORE ><2,3 <-- 284/1004 --> 284/1004	
2	72436028	1	HOSE	L=1500FWN65912-10X2-PVC-W-G
3	72340925	1	COLLER LOCKING --> 284/1003 <-- 284/1005	
	72478248	1	COLLER LOCKING <-- 284/1004 --> 284/1004	
	72329197	8	SPEED NUT <-- 284/1004 --> 284/1004 NOT ILLUSTRATED	
4	72362535	1	FAN HOOD --> 284/1003 <-- 284/1005	
	72362591	1	FAN COVER <-- 284/1004 --> 284/1004	
	72315819	8	SCREW <-- 284/1004 --> 284/1004 NOT ILLUSTRATED	DIN7976-ST4,8X13-C-A3L
	72311818	8	DISC <-- 284/1004 --> 284/1004 NOT ILLUSTRATED	DIN9021-5,3-140HV-A3L
5	72313266	2	NUT	DIN 934 M6-8A3L
10	72374969	1	SCREW	DIN7976-ST4,8X19-C-A3L
11	72311785	5	DISC	DIN 125-5,3-ST.A3L
12	72405891	1	COVER PANEL	
13	72404928	1	SPLASH PANEL	
14	72404914	1	BARRIER WALL	
15	72405884	1	RETAINER LEFT	
16	72405885	1	RETAINER RIGHT	
17	72315812	2	SCREW	DIN 7981 ST4,2X9,5-F-H-A3
18	72311817	8	DISC	DIN9021-4,3-140HV-A3L
19	72315781	6	SCREW	DIN 7981 ST3,5X9,5-C-H-A3
20	72374968	4	SCREW	DIN7976-ST4,8X9,5-C-A3L
21	72405776	2	ANGLE	
22	72310623	2	BUFFER	
23	72313266	4	NUT	DIN 934 M6-8A3L
24	72311822	2	DISC	DIN9021-6,4-140HV-A3L
25	72311787	2	DISC	DIN 125-6,4-ST.A3L
26	72317120	6	SPRING WASHER	DIN 137 B6-MECH.VZK
27	72315629	2	HEXAGONAL HEAD BOLT	DIN 933 M6 X 12-8.8A3L
28	72404915	1	BARRIER WALL	
29	72315650	2	HEXAGONAL HEAD BOLT	DIN 933 M8 X 20-8.8A3L
30	72313268	2	NUT	DIN 934 M8-8A3L
31	72311788	4	DISC	DIN 125-8,4-ST.A3L
32	72317121	2	SPRING WASHER	DIN 137 B8-MECH.VZK
33			NO LONGER AVAILABLE	
34	72405887	1	GUSSET PLATE LEFT	
35	72405890	1	GUSSET PLATE RIGHT	
36	72405892	1	FLOOR SHEET	
37			NO LONGER AVAILABLE	

Item	Part Number	Qty	Description Comments	Technical Specification
38	72375084	1	LOCKING PLUG F35	SW-F35
39	72426777	1	LOCKING PLUG F5	F5
40	72334276	2	CATCH	
41	72450971	1	SHAPED CORD 1X 170 MM CUT TO LENGTH	L=1000 FWN 63040 C02
42	72451141	1	PROTECTIVE STRIP 1X 120 MM CUT TO LENGTH	L=800 FWN 63040
43	72379109	2	MARKING PLATE	FWN66556-35X68-SCHUTZVORR.N.OE
44	72364553	1	FRAME	
45	72311639	4	RADIATOR DAMPER	
46	72310742	2	BUSH	
47	72311849	2	DISC	
48	72313327	2	NUT	DIN 980-VM14-8-A3L
49	72311793	2	DISC	DIN 125-17-ST.A3L

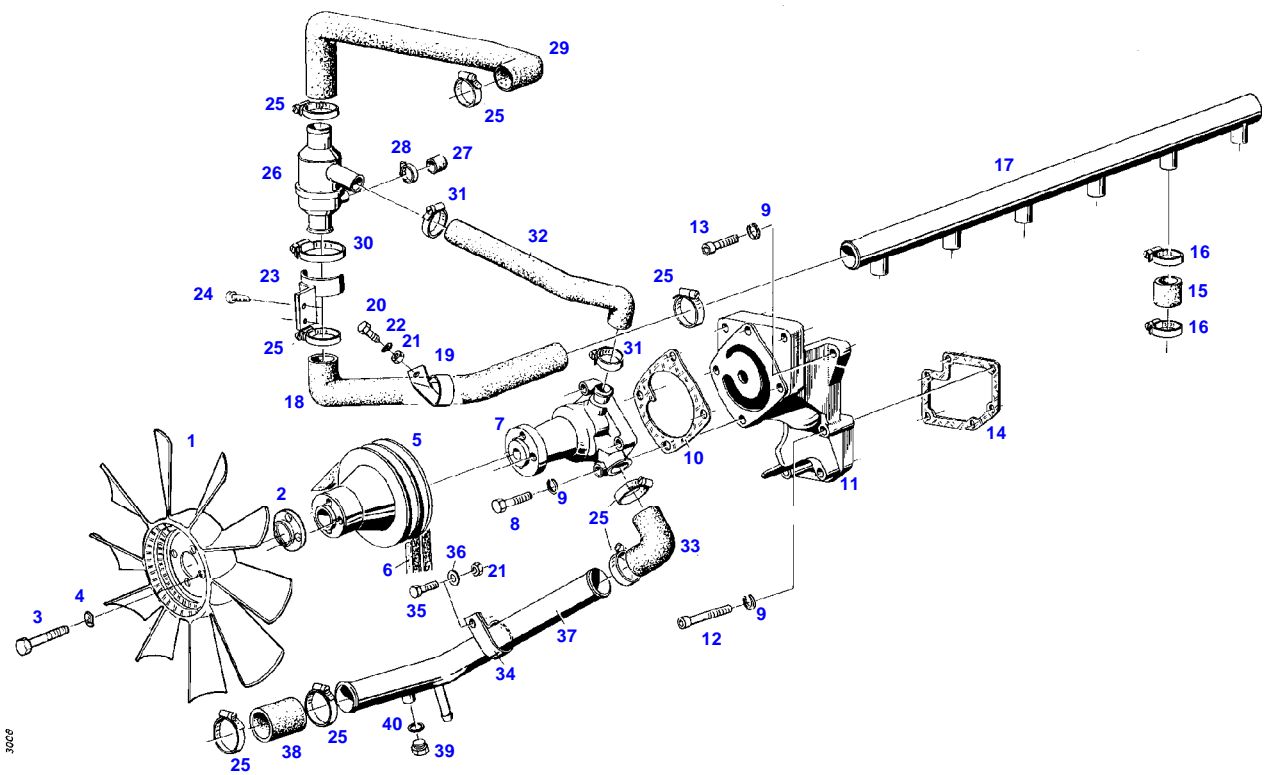
FAVORIT 614 (284/00001-99999)
1248



Item	Part Number	Qty	Description Comments	Technical Specification
			CENTRIFUGAL PUMP PIPE WITHOUT AIR CONDITION	
1	72331543	1	FAN	
			<>	
	72394835	4	DISC	
2	72315673	4	HEXAGONAL HEAD BOLT	DIN 933 M8X75-8.8A3L
	72394835	4	DISC	
			NOT ILLUSTRATED	
3	72317121	4	SPRING WASHER	DIN 137 B8-MECH.VZK
4	72405861	1	V BELT SHEAVE	
	72405864	1	V BELT SHEAVE TROPICAL VERSION	
5				
			SEE ALTERNATOR ASSY	
6	72340133	1	CENTRIFUGAL PUMP	
	72340137	1	FACE SEAL	
			NOT ILLUSTRATED	
	72340139	1	COUNTER RING	
			NOT ILLUSTRATED	
	72340140	1	IMPELLER	
			NOT ILLUSTRATED	
7	72315659	4	HEXAGONAL HEAD BOLT	DIN 933 M8X35-8.8
8	72315053	10	SPLIT WASHER	FWN 65208-8-A3L
9	72328678	1	SEAL	
10	72340134	1	INTERMEDIATE PIECE	
11	72315484	4	SOCKET HEAD BOLT	DIN 912 M8X65-10.9A3L
12	72315476	2	SOCKET HEAD BOLT	DIN 912 M8X30-10.9
13				
			SEE CRANKCASE	
14	72450415	1	HOSE	L=900 DIN73411-22X3,5 R
			1X 30MM	
15	72311167	12	HOSE CLIP	
16	72341138	1	PRESSURE LINE	
17	72337051	2	PIPE CLAMP	
18				
			NO LONGER AVAILABLE	
			--> 284/0312	
	72326283	1	GUSSET PLATE	
			<-- 284/0313	
19	72315629	2	HEXAGONAL HEAD BOLT	DIN 933 M6 X 12-8.8A3L
			--> 284/0312	
	72315630	2	HEXAGONAL HEAD BOLT	DIN 933 M6X18-8.8A3L
			<-- 284/0313	
20	72311162	7	HOSE CLIP	
21	72404920	1	RUBBER ARCH	
	72404929	1	CLAMP	
			NOT ILLUSTRATED	
	72315626	1	HEXAGONAL HEAD BOLT	DIN 933-M6 X 16-8.8-A3L
			NOT ILLUSTRATED	
	72315052	1	SPLIT WASHER	FWN 65208-6-A3L
			NOT ILLUSTRATED	
	72313266	1	NUT	DIN 934 M6-8A3L
			NOT ILLUSTRATED	
22	72362035	1	RETAINER	
			--> 284/0210 <>	
			<>	
	72311162	1	HOSE CLIP	
	72311171	1	HOSE CLIP	
	72315789	2	SCREW	DIN 7981 ST4,8X9,5-C-H-A3
	72311171	1	HOSE CLIP	
			<-- 284/0211	
			NOT ILLUSTRATED	

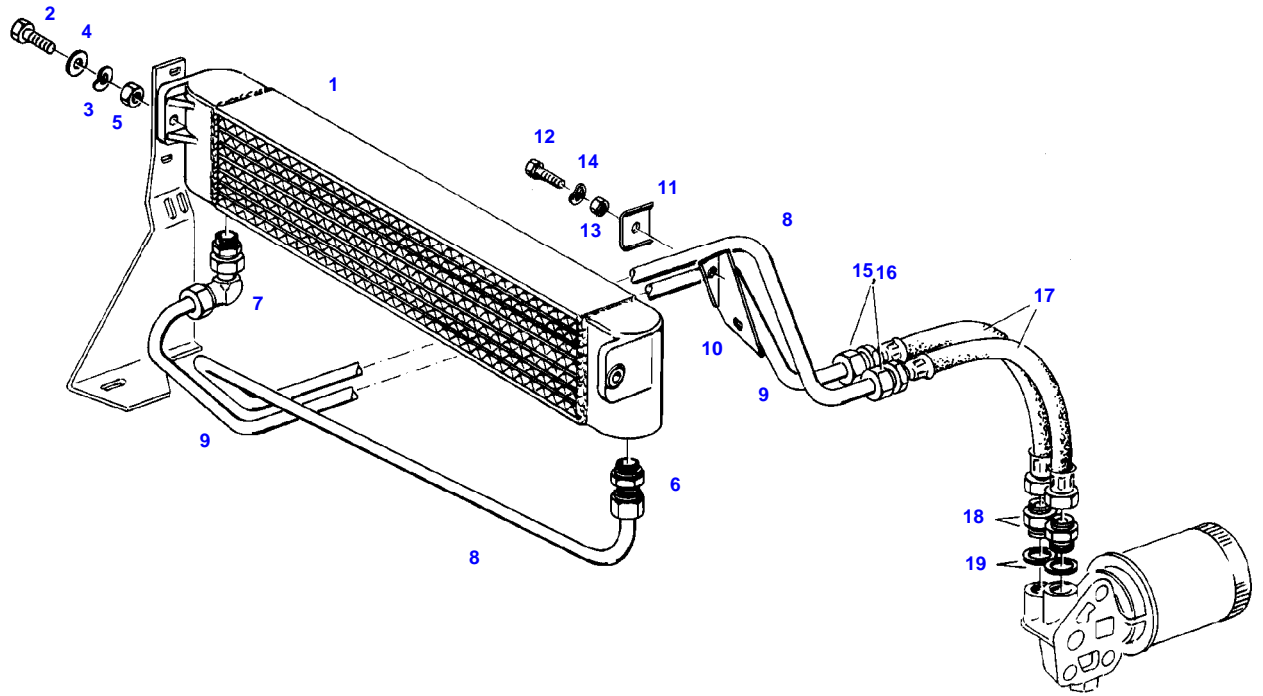
Item	Part Number	Qty	Description Comments	Technical Specification
	72311162	1	HOSE CLIP <-- 284/0211 NOT ILLUSTRATED	
23	72315650	1	HEXAGONAL HEAD BOLT --> 284/0210	DIN 933 M8 X 20-8.8A3L
24	72313268	1	NUT --> 284/0210	DIN 934 M8-8A3L
25	72380194	1	THERMOSTAT	
26	72404925	1	CAP NOT NEEDED WITH HEATING	
27	72311167	1	HOSE CLIP NOT NEEDED WITH HEATING	
28	72404921	1	RUBBER ARCH	
29	72311167	2	HOSE CLIP	
30	72315781	2	SCREW --> 284/0210	DIN 7981 ST3,5X9,5-C-H-A3
	72315789	2	SCREW <-- 284/0211	DIN 7981 ST4,8X9,5-C-H-A3
	72311787	2	DISC TROPICAL VERSION NOT ILLUSTRATED	DIN 125-6,4-ST.A3L
31	72311817	2	DISC --> 284/0210	DIN9021-4,3-140HV-A3L
	72311787	2	DISC <-- 284/0211	DIN 125-6,4-ST.A3L
32	72405866	1	RUBBER ARCH	
33	72399873	1	RUBBER ARCH	
34	72394567	1	FASTENING COLLAR	
35	72315631	1	HEXAGONAL HEAD BOLT	DIN 933 M6 X 20-8.8A3L
	72315636	1	HEXAGONAL HEAD BOLT --> 284/0757 TROPICAL VERSION	DIN 933 M6X40-8.8A3L
	72315631	1	HEXAGONAL HEAD BOLT <-- 284/0758 TROPICAL VERSION	DIN 933 M6 X 20-8.8A3L
36	72311822	1	DISC	DIN9021-6,4-140HV-A3L
37	72317120	1	SPRING WASHER	DIN 137 B6-MECH.VZK
38	72313266	1	NUT	DIN 934 M6-8A3L
39	72362033	1	SUCTION LINE HEATING	
	72362036	1	SUCTION LINE WITHOUT HEATING	
40	72315802	1	SCREW --> 284/0757 WITHOUT HEATING	DIN 7604 AM22X1,5-ST
41	72315101	1	SEALING WASHER --> 284/0757 WITHOUT HEATING	DIN 7603 A22X27-CU
42	72315799	1	PLUG	DIN 7604 AM14X1,5-A3L
43	72315094	1	SEALING WASHER	DIN 7603 A14X18-CU
44	72450416	1	HOSE 1X 60MM CUT TO LENGTH	L=120 DIN73411-35X
45	72315163	2	CUTTING RING	DIN 3861-L12-ST-A3L
46	72313366	2	CONNECTING NUT	DIN 3870 AL12-9S20K A3L
47	72362526	1	OIL LINE	
48	72356509	1	OIL LINE	
49			NO LONGER AVAILABLE	
50	72315629	1	HEXAGONAL HEAD BOLT	DIN 933 M6 X 12-8.8A3L
51	72317120	1	SPRING WASHER	DIN 137 B6-MECH.VZK
52	72313266	1	NUT	DIN 934 M6-8A3L
53	72393673	2	SCREW NECK	
54	72376031	2	SEALING WASHER	DIN 7603 A20X24-CU

FAVORIT 614 (284/00001-99999)
3008



Item	Part Number	Qty	Description Comments	Technical Specification
			CENTRIFUGAL PUMP PIPE WITH AIR CONDITIONING <-- 284/0960	
1	72380191	1	FAN <>	KST.
	72394835	4	DISC	
2	72405888	1	INTERMEDIATE RING	
3	72315673	4	HEXAGONAL HEAD BOLT	DIN 933 M8X75-8.8A3L
	72394835	4	DISC NOT ILLUSTRATED	
4	72317121	4	SPRING WASHER	DIN 137 B8-MECH.VZK
5	72405861	1	V BELT SHEAVE	
	72405864	1	V BELT SHEAVE TROPICAL VERSION	
6			SEE ALTERNATOR ASSY	
7	72340133	1	CENTRIFUGAL PUMP	
	72340137	1	FACE SEAL NOT ILLUSTRATED	
	72340139	1	COUNTER RING NOT ILLUSTRATED	
	72340140	1	IMPELLER NOT ILLUSTRATED	
8	72315659	4	HEXAGONAL HEAD BOLT	DIN 933 M8X35-8.8
9	72315053	10	SPLIT WASHER	FWN 65208-8-A3L
10	72328678	1	SEAL	
11	72340134	1	INTERMEDIATE PIECE	
12	72315484	4	SOCKET HEAD BOLT	DIN 912 M8X65-10.9A3L
13	72315476	2	SOCKET HEAD BOLT	DIN 912 M8X30-10.9
14			SEE CRANKCASE	
15	72450415	1	HOSE 1X 30MM	L=900 DIN73411-22X3,5 R
16	72311167	12	HOSE CLIP	
17	72341138	1	PRESSURE LINE	
18	72404920	1	RUBBER ARCH	
19	72404929	1	CLAMP	
20	72315626	1	HEXAGONAL HEAD BOLT	DIN 933-M6 X 16-8.8-A3L
21	72313266	1	NUT	DIN 934 M6-8A3L
22	72317120	1	SPRING WASHER	DIN 137 B6-MECH.VZK
23	72362035	1	RETAINER	
24	72374968	2	SCREW	DIN7976-ST4,8X9,5-C-A3L
25	72311162	8	HOSE CLIP	
26	72380194	1	THERMOSTAT	
27	72404925	1	CAP NOT NEEDED WITH HEATING	
28	72311167	1	HOSE CLIP NOT NEEDED WITH HEATING	
29	72405866	1	RUBBER ARCH	
30	72311171	1	HOSE CLIP	
31	72311167	2	HOSE CLIP	
32	72404921	1	RUBBER ARCH	
33	72399873	1	RUBBER ARCH	
34	72394567	1	FASTENING COLLAR	
35	72315631	1	HEXAGONAL HEAD BOLT	DIN 933 M6 X 20-8.8A3L
36	72311822	1	DISC	DIN9021-6,4-140HV-A3L
37	72362033	1	SUCTION LINE	
38	72450416	1	HOSE 1X 60MM CUT TO LENGTH	L=120 DIN73411-35X
39	72315799	1	PLUG	DIN 7604 AM14X1,5-A3L
40	72315094	1	SEALING WASHER	DIN 7603 A14X18-CU

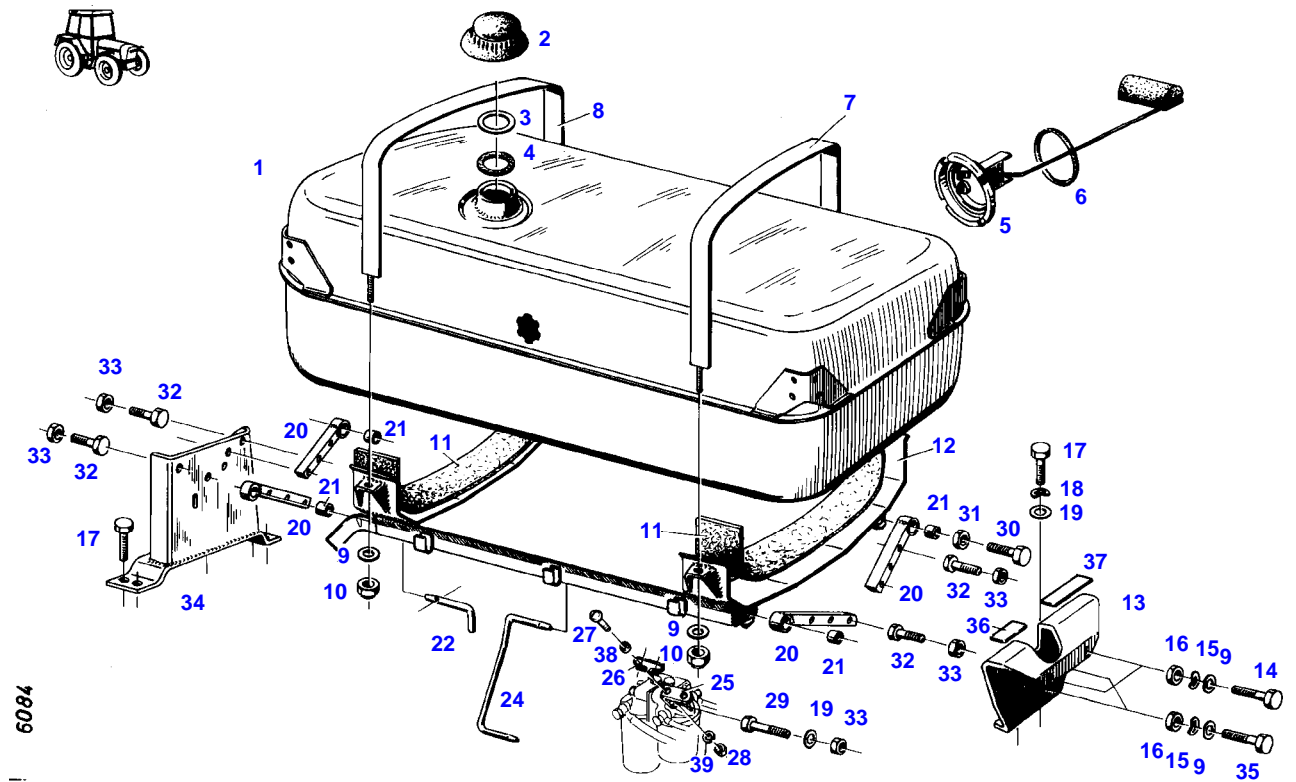
FAVORIT 614 (284/00001-99999)
2520



2520

Item	Part Number	Qty	Description Comments	Technical Specification
			WITH AIR CONDITIONING <-- 284/0960	
1	72349803	1	OIL/AIR COOLER	
2	72315650	2	HEXAGONAL HEAD BOLT	DIN 933 M8 X 20-8.8A3L
3	72317121	2	SPRING WASHER	DIN 137 B8-MECH.VZK
4	72311788	2	DISC	DIN 125-8,4-ST.A3L
5	72313268	2	NUT	DIN 934 M8-8A3L
6	72316324	1	SCREW NECK	DIN 3901-L15B-M-ST-A3
	72315164	X	CUTTING RING	DIN 3861-L15-ST-A3L
	72313367	X	CONNECTING NUT	DIN3870 AL15/M22X1.5-9S20K A3L
7	72312097	1	ADJUSTABLE W-THREADED CONNECTION BODY	FWN65843-L15-A3L
	72316324	1	SCREW NECK	DIN 3901-L15B-M-ST-A3
	72315164	X	CUTTING RING	DIN 3861-L15-ST-A3L
	72313367	X	CONNECTING NUT	DIN3870 AL15/M22X1.5-9S20K A3L
8	72405889	1	PIPE	
9	72405997	1	PIPE	
10	72405996	1	RETAINER	
11	72311266	1	CLIP	
12	72315634	1	HEXAGONAL HEAD BOLT	DIN 933 M6X30-8.8A3L
13	72313266	1	NUT	DIN 934 M6-8A3L
14	72317120	1	SPRING WASHER	DIN 137 B6-MECH.VZK
15	72313367	2	CONNECTING NUT	DIN3870 AL15/M22X1.5-9S20K A3L
16	72315164	2	CUTTING RING	DIN 3861-L15-ST-A3L
17	72362590	2	OIL LINE	
18	72393673	2	SCREW NECK	
19	72376031	2	SEALING WASHER	DIN 7603 A20X24-CU

FAVORIT 614 (284/00001-99999)
6084



Thank you so much for reading.
Please click the “Buy Now!”
button below to download the
complete manual.



After you pay.

You can download the most
perfect and complete manual in
the world immediately.

Our support email:

ebooklibonline@outlook.com