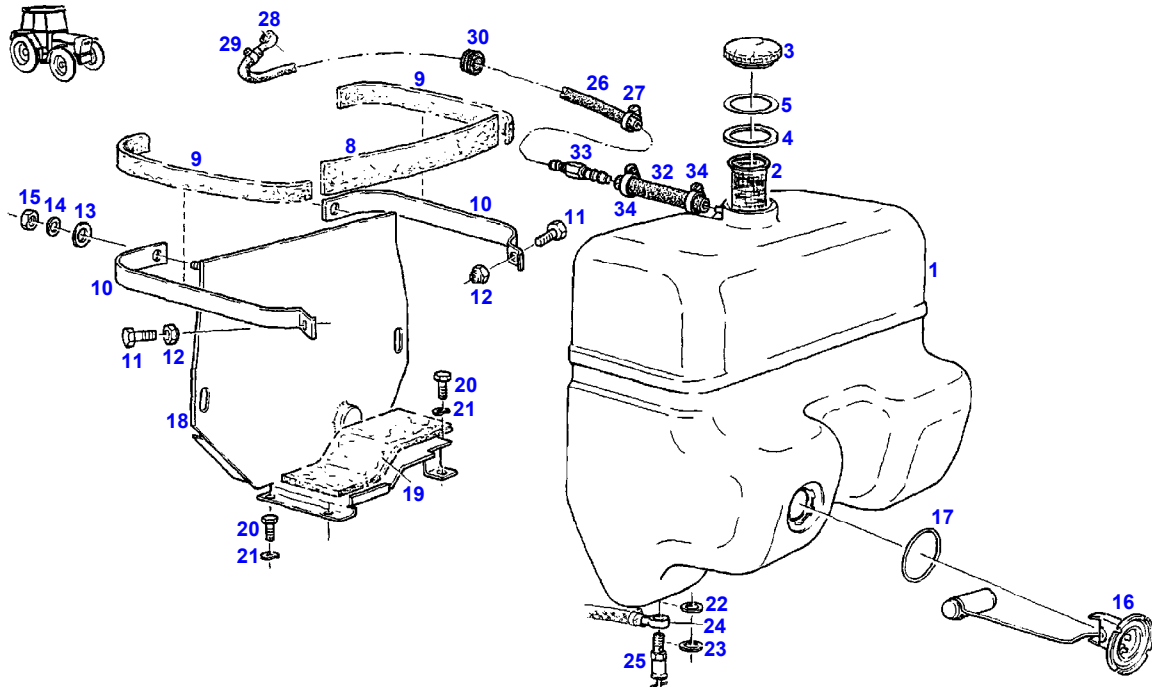


TABLE OF CONTENT

| Page Number | Page Title | Page Reference |
|--------------------|-------------------------------------|-----------------------|
| 01-000-TOC | ENGINE, FUEL AND EXHAUST SYSTEM | 01-000-TOC |
| 02-000-TOC | AXLES | 02-000-TOC |
| 03-000-TOC | STEERING SYSTEM | 03-000-TOC |
| 04-000-TOC | DRIVE TRAIN SYSTEM | 04-000-TOC |
| 05-000-TOC | COMPRESSED AIR SYSTEM | 05-000-TOC |
| 06-000-TOC | HYDRAULIC SYSTEM | 06-000-TOC |
| 07-000-TOC | ELECTRICAL SYSTEM | 07-000-TOC |
| 08-000-TOC | CAB | 08-000-TOC |
| 09-000-TOC | AIR CONDITIONING AND HEATING SYSTEM | 09-000-TOC |
| 10-000-TOC | CHASSIS | 10-000-TOC |
| 11-000-TOC | WHEELS | 11-000-TOC |
| 12-000-TOC | IMPLEMENT LIFT SYSTEM FRONT | 12-000-TOC |
| 13-000-TOC | IMPLEMENT LIFT SYSTEM REAR | 13-000-TOC |
| 14-000-TOC | FRONT/REAR LOADERS | 14-000-TOC |
| 15-000-TOC | ATTACHMENTS | 15-000-TOC |
| 16-000-TOC | ACCESSORIES | 16-000-TOC |

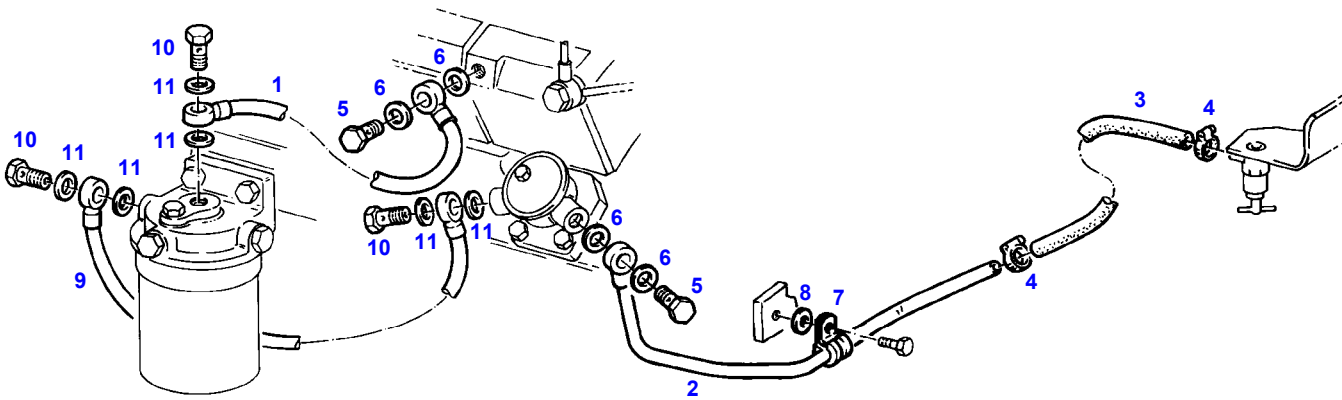
FARMER 240S (294/00001-99999)
12410



12410

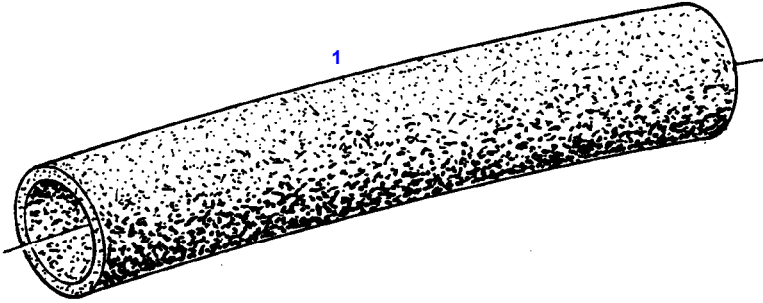
| Item | Part Number | Qty | Description Comments | Technical Specification |
|------|-------------|-----|--|--------------------------|
| 1 | 72348833 | 1 | FUEL TANK <-- G210.202.060.011 1X CUT TO LENGTH <> | |
| | 72424096 | 1 | REDUCING STUD | GRS8-6 |
| | 72429641 | 1 | PLATE | |
| | 72315462 | 4 | SOCKET HEAD BOLT | DIN 912 M6X12-8.8A3L |
| | 72450302 | 1 | PRESSURE HOSE | L=1000 |
| | 72313434 | 4 | O-RING | 15,3X2,4-NBR 70-FWN56402 |
| | 72438345 | 2 | HOSE CLIP | |
| 2 | 72433112 | 1 | STRAINER | 60X100-MS |
| 3 | 72380143 | 1 | FUEL CAP KOEHLER ><4 | M.BELUEF |
| | 72348297 | 1 | FUEL CAP LOCKABLE BLAU ><4+5 | |
| 4 | 72330725 | 1 | SEAL BLAU | |
| | 72312304 | 1 | RUBBER SEAL KOEHLER | |
| 5 | 72330726 | 1 | SEAL | |
| 8 | 72391503 | 1 | BAND | |
| 9 | 72391504 | 2 | BAND | |
| 10 | 72391501 | 2 | BAND CLAMP | |
| 11 | 72315657 | 2 | HEXAGONAL HEAD BOLT | DIN 933 M8 X 30-8.8A3L |
| 12 | 72313320 | 2 | NUT | DIN6925-M8-8-A3L |
| 13 | 72311789 | 2 | DISC | DIN 125-10,5-ST.A3L |
| 14 | 72311788 | 2 | DISC | DIN 125-8,4-ST.A3L |
| 15 | 72313268 | 2 | NUT | DIN 934 M8-8A3L |
| 16 | 72380146 | 1 | FUEL LEVEL SENSOR ><17 | |
| 17 | 72315169 | 1 | SEALING WASHER | |
| 18 | 72354745 | 1 | TANK SUPPORT | |
| 19 | 72391502 | 1 | BAND | |
| 20 | 72315642 | 4 | HEXAGONAL HEAD BOLT | DIN 933 M8 X 16-8.8A3L |
| 21 | 72317121 | 4 | SPRING WASHER | DIN 137 B8-MECH.VZK |
| 22 | 72315093 | 1 | SEALING WASHER | DIN 7603 A12X18-CU |
| 23 | 72315094 | 1 | SEALING WASHER | DIN 7603 A14X18-CU |
| 24 | 72377531 | 1 | RING HOSE NIPPLE | FWN65910-A-DN8 |
| 25 | 72380159 | 1 | FUEL SHUT-OFF VALVE | |
| 26 | 72450301 | 1 | PRESSURE HOSE WITH 3 CYLINDER 1000 MM | L=1000 |
| | 72435830 | 1 | PRESSURE HOSE WITH 4 CYLINDER 1130 MM CUT TO LENGTH | L=2100 |
| 27 | 72373477 | 1 | HOSE CLIP | |
| 28 | 72377530 | 1 | RING HOSE NIPPLE | FWN65910-A-DN2 |
| 29 | 72438345 | 1 | HOSE CLIP | |
| 30 | 72379152 | 1 | CABLE BUSHING | HV1305 |
| 32 | 72450353 | 1 | PRESSURE HOSE 80 MM CUT TO LENGTH | L=200 |
| 33 | 72424096 | 1 | REDUCING STUD | GRS8-6 |
| 34 | 72438345 | 2 | HOSE CLIP | |

FARMER 240S (294/00001-99999)
5015



5015

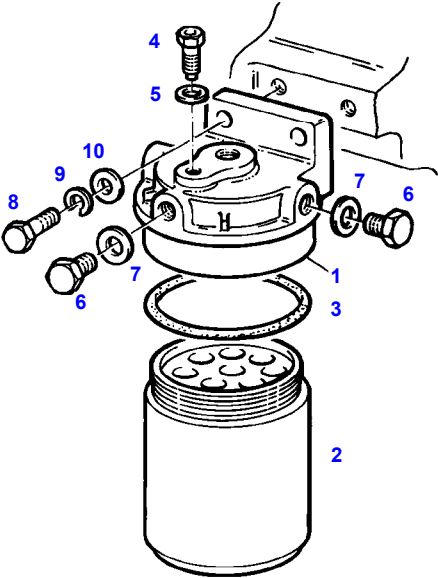
| Item | Part Number | Qty | Description Comments | Technical Specification |
|------|-------------|-----|--|-------------------------|
| 1 | 72358112 | 1 | FUEL LINE | |
| 2 | 72358111 | 1 | FUEL LINE | |
| 3 | 72450303 | 1 | PRESSURE HOSE 260 MM CUT TO LENGTH | L=1000 |
| 4 | 72438345 | 2 | HOSE CLIP | |
| 5 | 72315808 | 2 | BANJO BOLT | DIN 7643-10-3-A3L |
| 6 | 72315094 | 4 | SEALING WASHER | DIN 7603 A14X18-CU |
| 7 | 72311244 | 1 | PIPE CLAMP | |
| 8 | 72311788 | 1 | DISC | DIN 125-8,4-ST.A3L |
| 9 | 72355325 | 1 | FUEL LINE | |
| 10 | 72315808 | 3 | BANJO BOLT | DIN 7643-10-3-A3L |
| 11 | 72315094 | 6 | SEALING WASHER | DIN 7603 A14X18-CU |



8555

| Item | Part Number | Qty | Description Comments | Technical Specification |
|---------------------------------------|-------------|-----|---|-------------------------|
| RAPE SEED OIL METHYLATED ESTER | | | | |
| 1 | 72436293 | 1 | HEAT SHRINK TUBING 1X 2500 MM CUT TO LENGTH | L=2600 |
| | 72436294 | X | HEAT SHRINK TUBING 1X 3000 MM CUT TO LENGTH | L=3100 |
| | 72436295 | 1 | HEAT SHRINK TUBING 1X 2000 MM CUT TO LENGTH | L=2100 |

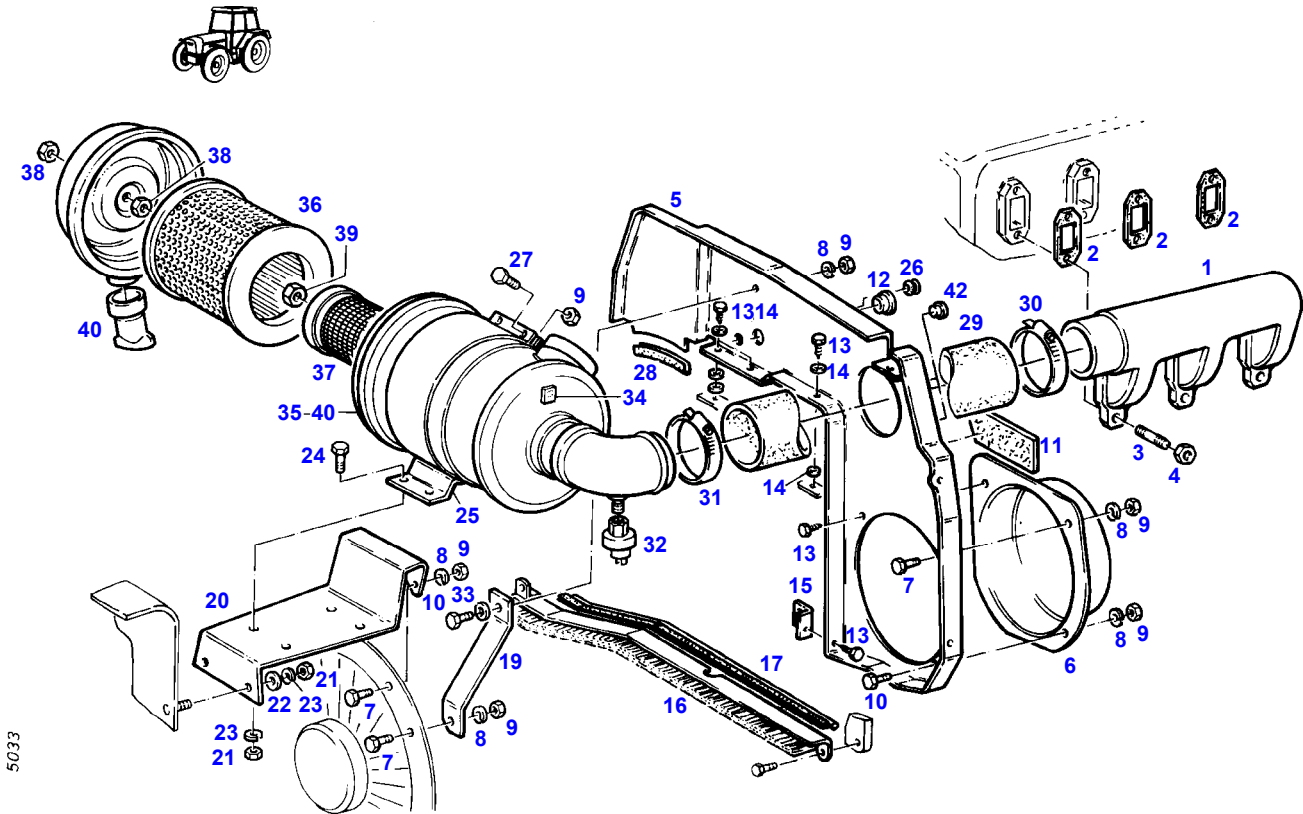
FARMER 240S (294/00001-99999)
5016



5016

| Item | Part Number | Qty | Description Comments | Technical Specification |
|------|-------------|-----|-------------------------|-------------------------|
| 1 | 72329259 | 1 | FILTER ><1-5 | |
| 2 | 72326245 | 1 | FILTER BOX ><2+3 | |
| 3 | 72314995 | 1 | RUBBER RING | |
| 4 | 72380171 | 1 | BLEED SCREW | |
| 5 | 72315084 | 1 | SEALING WASHER | DIN 7603 A6X10-CU |
| 6 | 72315799 | 2 | PLUG | DIN 7604 AM14X1,5-A3L |
| 7 | 72315094 | 2 | SEALING WASHER | DIN 7603 A14X18-CU |
| 8 | 72315653 | 2 | HEXAGONAL HEAD BOLT | DIN 933 M8 X 25-8.8A3L |
| 9 | 72315053 | 2 | SPLIT WASHER | FWN 65208-8-A3L |
| 10 | 72311824 | 2 | DISC | DIN9021-8,4-140HV-A3L |

FARMER 240S (294/00001-99999)
5033



| Item | Part Number | Qty | Description Comments | Technical Specification |
|------|-------------|-----|--|-------------------------|
| | | | --> 294/0259 | |
| 1 | 72323836 | 1 | INTAKE MANIFOLD | |
| 2 | 72431538 | 3 | SEAL REPLACE ALL SEALS | |
| 3 | 72373907 | 6 | STUD BOLT | DIN 835 M8X35-8.8 |
| 4 | 72313268 | 6 | NUT | DIN 934 M8-8A3L |
| 5 | 72358118 | 1 | BARRIER WALL <> | |
| | 72397849 | 2 | PIPE | |
| | 72358131 | 1 | TUBING | |
| | 72358130 | 1 | TUBING | |
| | 72315635 | 2 | HEXAGONAL HEAD BOLT | DIN 933 M6X35-8.8A3L |
| 6 | 72425052 | 1 | COVER | |
| 7 | 72315631 | 4 | HEXAGONAL HEAD BOLT | DIN 933 M6 X 20-8.8A3L |
| 8 | 72315052 | 6 | SPLIT WASHER | FWN 65208-6-A3L |
| 9 | 72313266 | 8 | NUT | DIN 934 M6-8A3L |
| 10 | 72315629 | 2 | HEXAGONAL HEAD BOLT | DIN 933 M6 X 12-8.8A3L |
| 11 | 72397836 | 1 | INSULATING PLATE | |
| 12 | 72314758 | 1 | LOCKING PLUG | SW-F25 |
| 13 | 72315821 | 5 | SCREW | DIN7976-ST6,3X19-C-A3L |
| 14 | 72311787 | 8 | DISC | DIN 125-6,4-ST.A3L |
| 15 | 72397839 | 1 | ANGLE | |
| 16 | 72358113 | 1 | SEALING BRUSH | |
| 17 | 72451235 | 1 | PROTECTIVE STRIP 1X 425 MM CUT TO LENGTH | L=700 FWN 63040 |
| 19 | 72397840 | 1 | BRACE | |
| 20 | 72397833 | 1 | RETAINER | |
| 21 | 72313268 | 6 | NUT | DIN 934 M8-8A3L |
| 22 | 72311788 | 2 | DISC | DIN 125-8,4-ST.A3L |
| 23 | 72315053 | 6 | SPLIT WASHER | FWN 65208-8-A3L |
| 24 | 72315642 | 4 | HEXAGONAL HEAD BOLT | DIN 933 M8 X 16-8.8A3L |
| 25 | 72361211 | 1 | RETAINER | |
| 26 | 72379151 | 1 | CABLE BUSHING | 10X16X20 |
| 27 | 72315633 | 2 | HEXAGONAL HEAD BOLT | DIN 933 M6X25-8.8A3L |
| 28 | 72451141 | 1 | PROTECTIVE STRIP 1X 110 MM CUT TO LENGTH | L=800 FWN 63040 |
| 29 | 72397837 | 1 | HOSE PIECE | |
| 30 | 72311170 | 1 | HOSE CLIP | |
| 31 | 72373528 | 1 | HOSE CLIP | |
| 32 | 72379888 | 1 | MAINTENANCE SWITCH | |
| 33 | 72311812 | 1 | DISC | DIN 1440-8-ST.A3L |
| 34 | 72390689 | 1 | ABSORPTION INDICATOR 1,6 | |
| | 72404957 | 1 | ABSORPTION INDICATOR 1,3 | |
| | 72389314 | 1 | ABSORPTION INDICATOR 1,0 | |
| 35 | 72348836 | 1 | AIR FILTER ><35-40 <> | |
| | 72397842 | 1 | RUBBER ARCH | |
| | 72450420 | 0 | HOSE | L=120 DIN73411-70X5 R |
| | 72358115 | 1 | INTAKE MANIFOLD | |
| | 72339032 | 1 | THREADED SOCKET | |
| | 72373528 | 4 | HOSE CLIP | |
| 36 | 72380181 | 1 | MICRO-STAR INSERT | |
| 37 | 72333112 | 1 | SAFETY INSERT <> | |
| | 72313299 | 1 | NUT | DIN 936-M16X1,5-17H |
| 38 | 72313320 | 2 | NUT | DIN6925-M8-8-A3L |
| 39 | 72333111 | 1 | NUT | |
| 40 | 72332975 | 1 | VALVE | |

Fendt

FARMER 240S (294/00001-99999)

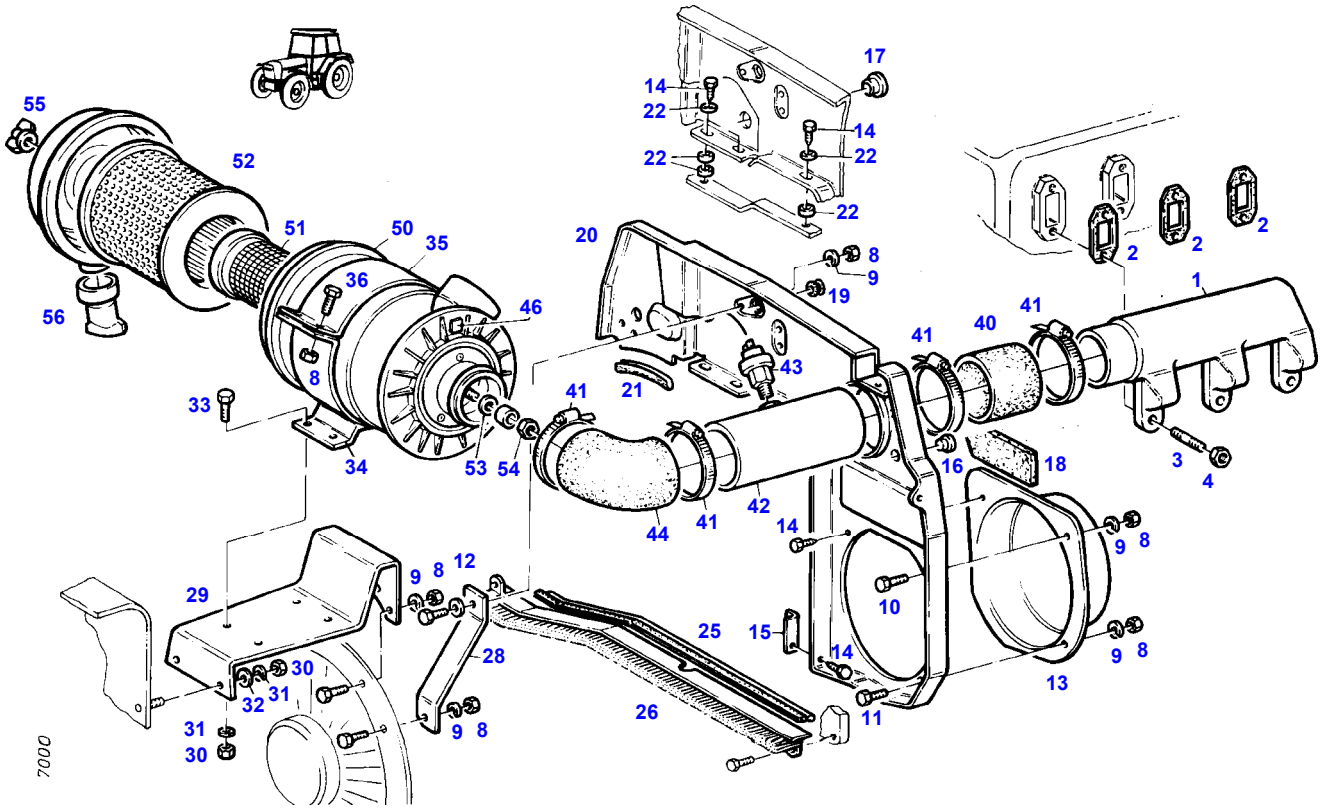
F294000

AIR FILTER

Page01-0007

| Item | Part Number | Qty | Description Comments | Technical Specification |
|------|-------------|-----|-------------------------|-------------------------|
| 42 | 72314744 | 2 | LOCKING PLUG | F4 |

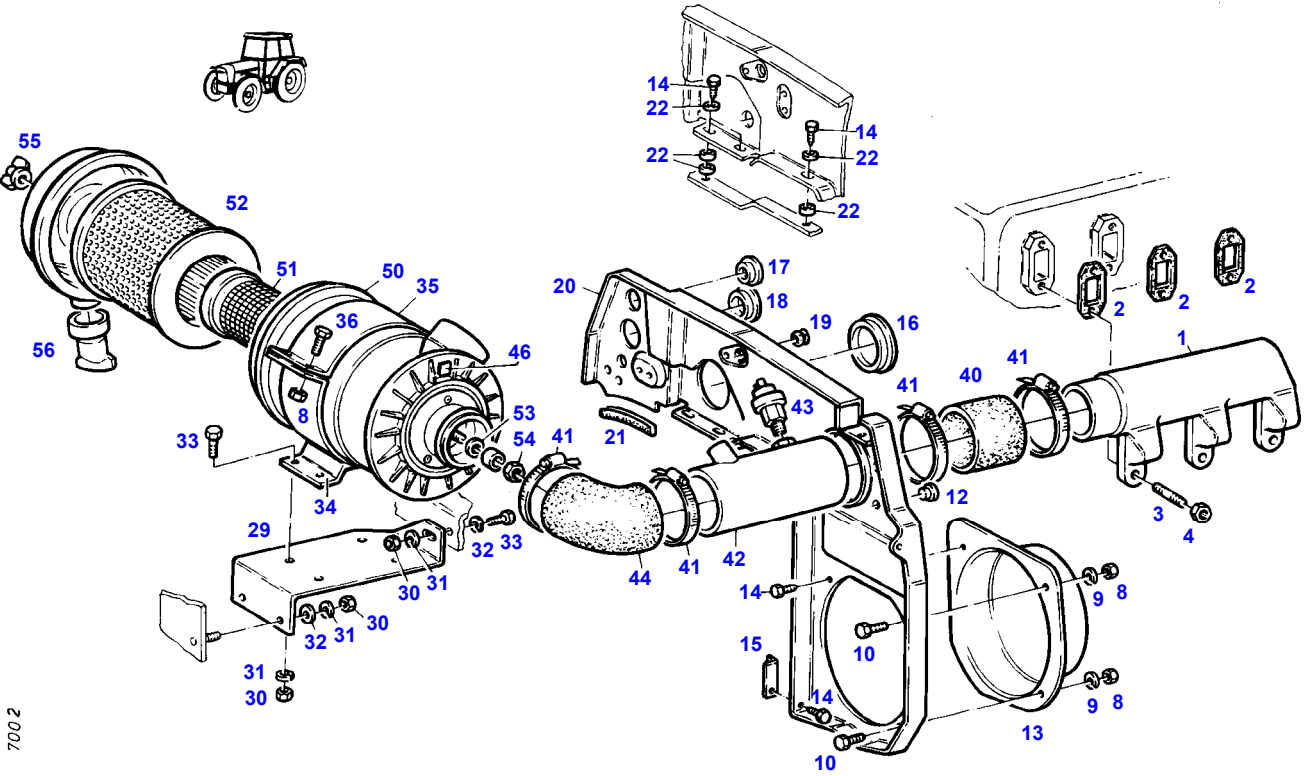
FARMER 240S (294/00001-99999)
7000



| Item | Part Number | Qty | Description Comments | Technical Specification |
|------|-------------|-----|--|-------------------------|
| | | | <-- 294/0260 | |
| 1 | 72323836 | 1 | INTAKE MANIFOLD | |
| 2 | 72431538 | 3 | SEAL REPLACE ALL SEALS | |
| 3 | 72373907 | 6 | STUD BOLT | DIN 835 M8X35-8.8 |
| 4 | 72313268 | 6 | NUT | DIN 934 M8-8A3L |
| 8 | 72313266 | 8 | NUT | DIN 934 M6-8A3L |
| 9 | 72315052 | 6 | SPLIT WASHER | FWN 65208-6-A3L |
| 10 | 72315631 | 4 | HEXAGONAL HEAD BOLT | DIN 933 M6 X 20-8.8A3L |
| 11 | 72315629 | 2 | HEXAGONAL HEAD BOLT | DIN 933 M6 X 12-8.8A3L |
| 12 | 72311812 | 1 | DISC | DIN 1440-8-ST.A3L |
| 13 | 72425052 | 1 | COVER | |
| 14 | 72315821 | 5 | SCREW | DIN7976-ST6,3X19-C-A3L |
| 15 | 72397839 | 1 | ANGLE | |
| 16 | 72314744 | 2 | LOCKING PLUG F4 | F4 |
| 17 | 72314758 | 1 | LOCKING PLUG F25 | SW-F25 |
| 18 | 72397836 | 1 | INSULATING PLATE | |
| 19 | 72379151 | 1 | CABLE BUSHING | 10X16X20 |
| 20 | 72358118 | 1 | BARRIER WALL -->294/0321 <> <> | |
| | 72358130 | 1 | TUBING | |
| | 72358131 | 1 | TUBING | |
| | 72397849 | 2 | PIPE | |
| | 72315635 | 2 | HEXAGONAL HEAD BOLT | DIN 933 M6X35-8.8A3L |
| 21 | 72451141 | 1 | PROTECTIVE STRIP 1X 110 MM CUT TO LENGTH | L=800 FWN 63040 |
| 22 | 72311787 | 8 | DISC | DIN 125-6,4-ST.A3L |
| 25 | 72451235 | 1 | PROTECTIVE STRIP 1X 425 MM CUT TO LENGTH | L=700 FWN 63040 |
| 26 | 72358113 | 1 | SEALING BRUSH | |
| 28 | 72397840 | 1 | BRACE | |
| 29 | 72397833 | 1 | RETAINER | |
| 30 | 72313268 | 6 | NUT | DIN 934 M8-8A3L |
| 31 | 72315053 | 6 | SPLIT WASHER | FWN 65208-8-A3L |
| 32 | 72311788 | 2 | DISC | DIN 125-8,4-ST.A3L |
| 33 | 72315642 | 4 | HEXAGONAL HEAD BOLT | DIN 933 M8 X 16-8.8A3L |
| 34 | 72358116 | 1 | RETAINER | |
| 35 | 72397841 | 1 | CLAMP | |
| 36 | 72315633 | 2 | HEXAGONAL HEAD BOLT | DIN 933 M6X25-8.8A3L |
| 40 | 72450420 | 1 | HOSE 1X 80 MM CUT TO LENGTH | L=120 DIN73411-70X5 R |
| 41 | 72373528 | 4 | HOSE CLIP | |
| 42 | 72358115 | 1 | INTAKE MANIFOLD | |
| 43 | 72379891 | 1 | MAINTENANCE SWITCH | |
| 44 | 72397842 | 1 | RUBBER ARCH | |
| 46 | 72390689 | 1 | ABSORPTION INDICATOR 1,6 | |
| | 72404957 | 1 | ABSORPTION INDICATOR 1,3 | |
| | 72389314 | 1 | ABSORPTION INDICATOR 1,0 | |
| 50 | 72348836 | 1 | AIR FILTER ><50-56 | |
| 51 | 72333112 | 1 | SAFETY INSERT <> | |
| | 72313299 | 1 | NUT | DIN 936-M16X1,5-17H |
| 52 | 72380181 | 1 | MICRO-STAR INSERT | |

| Item | Part Number | Qty | Description Comments | Technical Specification |
|-------------|--------------------|------------|---------------------------------|--------------------------------|
| 53 | 72379537 | 1 | DISK SPRING <--294/0336 | DIN 2093 A16 |
| 54 | 72313320 | 1 | NUT | DIN6925-M8-8-A3L |
| 55 | 72333111 | 1 | NUT -->294/0335 | |
| | 72333113 | 1 | WING NUT <--294/0336 | |
| | 72431470 | 1 | SPRING NUT <--294/0336 | |
| 56 | 72332975 | 1 | VALVE | |

FARMER 240S (294/00001-99999)
7002



7002

| Item | Part Number | Qty | Description Comments | Technical Specification |
|--|-------------|-----|--|-------------------------|
| AIR SUPPLY EQUIPMENT AND/OR ARI COND. | | | | |
| 1 | 72323836 | 1 | INTAKE MANIFOLD | |
| 2 | 72431538 | 3 | SEAL REPLACE ALL SEALS | |
| 3 | 72373907 | 6 | STUD BOLT | DIN 835 M8X35-8.8 |
| 4 | 72313268 | 6 | NUT | DIN 934 M8-8A3L |
| 8 | 72313266 | 4 | NUT | DIN 934 M6-8A3L |
| 9 | 72315052 | 2 | SPLIT WASHER | FWN 65208-6-A3L |
| 10 | 72315629 | 2 | HEXAGONAL HEAD BOLT | DIN 933 M6 X 12-8.8A3L |
| 12 | 72314744 | 2 | LOCKING PLUG F4 | F4 |
| 13 | 72425052 | 1 | COVER | |
| 14 | 72315821 | 5 | SCREW | DIN7976-ST6,3X19-C-A3L |
| 15 | 72397839 | 1 | ANGLE | |
| 16 | 72402786 | 1 | COVER | |
| 17 | 72375089 | 1 | LOCKING PLUG F23 | F233 |
| 18 | 72314761 | 1 | LOCKING PLUG F31 | F31 |
| 19 | 72379152 | 1 | CABLE BUSHING | HV1305 |
| 20 | 72359721 | 1 | BARRIER WALL | |
| 22 | 72311787 | 8 | DISC | DIN 125-6,4-ST.A3L |
| 29 | 72400508 | 1 | RETAINER | |
| 30 | 72313268 | 7 | NUT | DIN 934 M8-8A3L |
| 31 | 72315053 | 7 | SPLIT WASHER | FWN 65208-8-A3L |
| 32 | 72311788 | 2 | DISC | DIN 125-8,4-ST.A3L |
| 33 | 72315642 | 5 | HEXAGONAL HEAD BOLT | DIN 933 M8 X 16-8.8A3L |
| 34 | 72358116 | 1 | RETAINER | |
| 35 | 72397841 | 1 | CLAMP | |
| 36 | 72315633 | 2 | HEXAGONAL HEAD BOLT | DIN 933 M6X25-8.8A3L |
| 40 | 72450420 | 1 | HOSE 1X 110MM | L=120 DIN73411-70X5 R |
| 41 | 72373528 | 4 | HOSE CLIP | |
| 42 | 72359719 | 1 | INTAKE MANIFOLD AIR BRAKING SYSTEM AIR SUPPLY EQUIPMENT WITH ARI CONDITION <> | |
| | 72315797 | 1 | PLUG SCREW | DIN 7604 AM10X1-ST A3L |
| | 72315088 | 1 | SEALING WASHER | DIN 7603 A10X13,5-CU |
| | 72358115 | 1 | INTAKE MANIFOLD AIR CONDITION | |
| 43 | 72379891 | 1 | MAINTENANCE SWITCH | |
| 44 | 72397842 | 1 | RUBBER ARCH | |
| 46 | 72390689 | 1 | ABSORPTION INDICATOR 1,6 | |
| | 72404957 | 1 | ABSORPTION INDICATOR 1,3 | |
| | 72389314 | 1 | ABSORPTION INDICATOR 1,0 | |
| 50 | 72348836 | 1 | AIR FILTER ><50-56 | |
| 51 | 72333112 | 1 | SAFETY INSERT <> | |
| | 72313299 | 1 | NUT | DIN 936-M16X1,5-17H |
| 52 | 72380181 | 1 | MICRO-STAR INSERT | |
| 53 | 72379537 | 1 | DISK SPRING <--294/0336 | DIN 2093 A16 |
| 54 | 72313320 | 1 | NUT | DIN6925-M8-8-A3L |
| 55 | 72333111 | 1 | NUT -->294/0335 | |
| | 72333113 | 1 | WING NUT <--294/0336 | |
| | 72431470 | 1 | SPRING NUT <--294/0336 | |

Fendt

FARMER 240S (294/00001-99999)

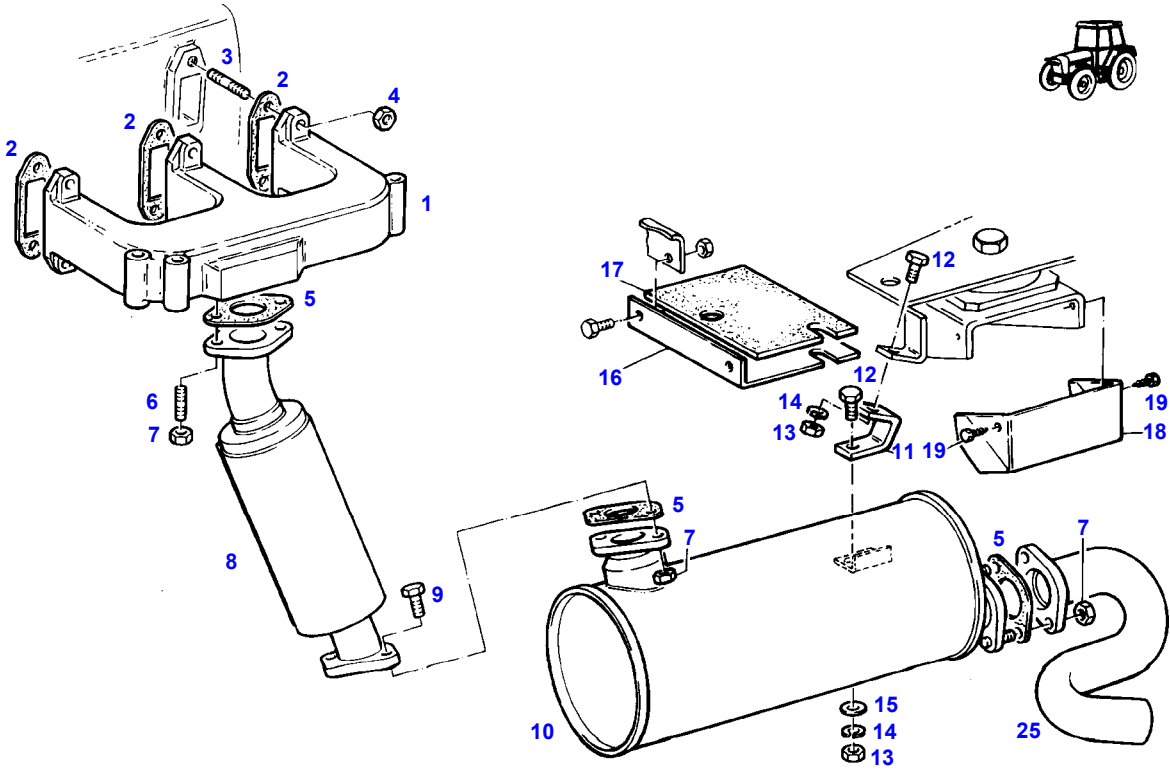
F294000

AIR FILTER

Page01-0009

| Item | Part Number | Qty | Description Comments | Technical Specification |
|------|-------------|-----|-------------------------|-------------------------|
| 56 | 72332975 | 1 | VALVE | |

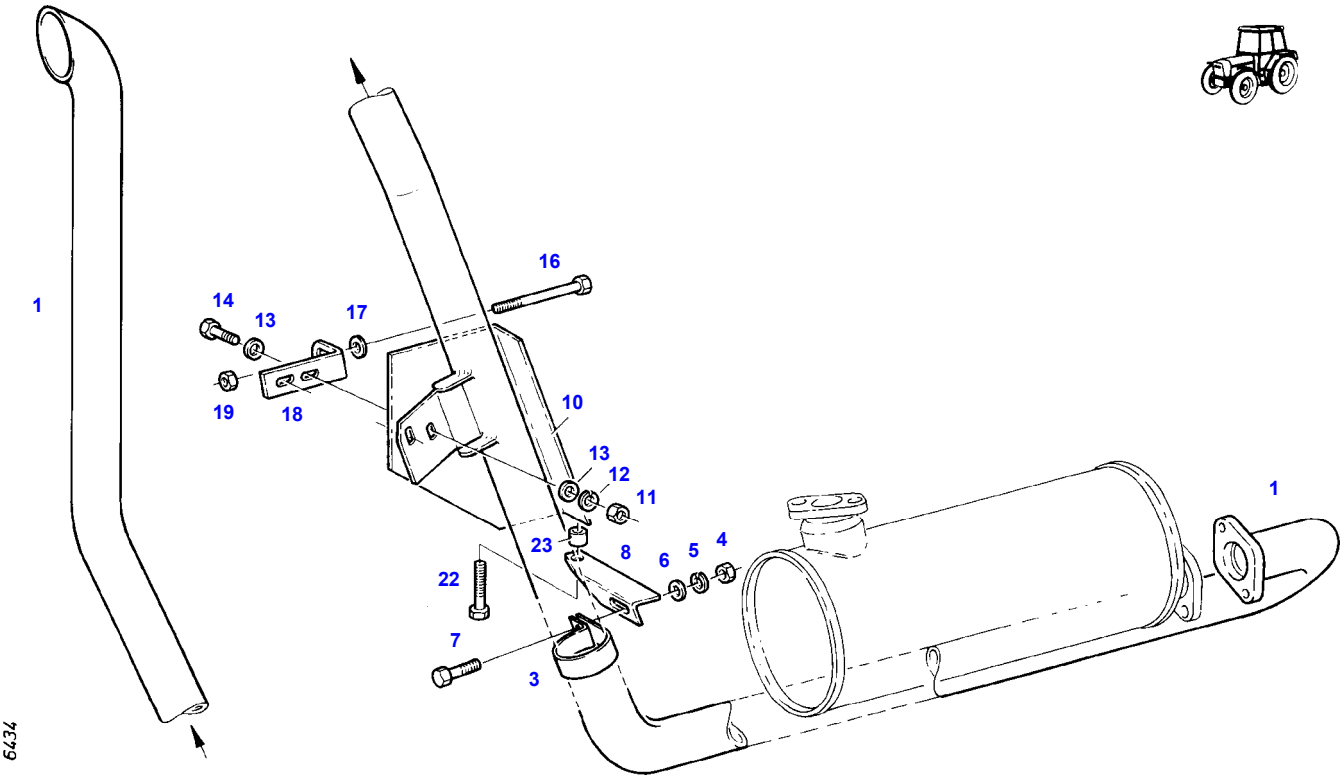
FARMER 240S (294/00001-99999)
5021



5021

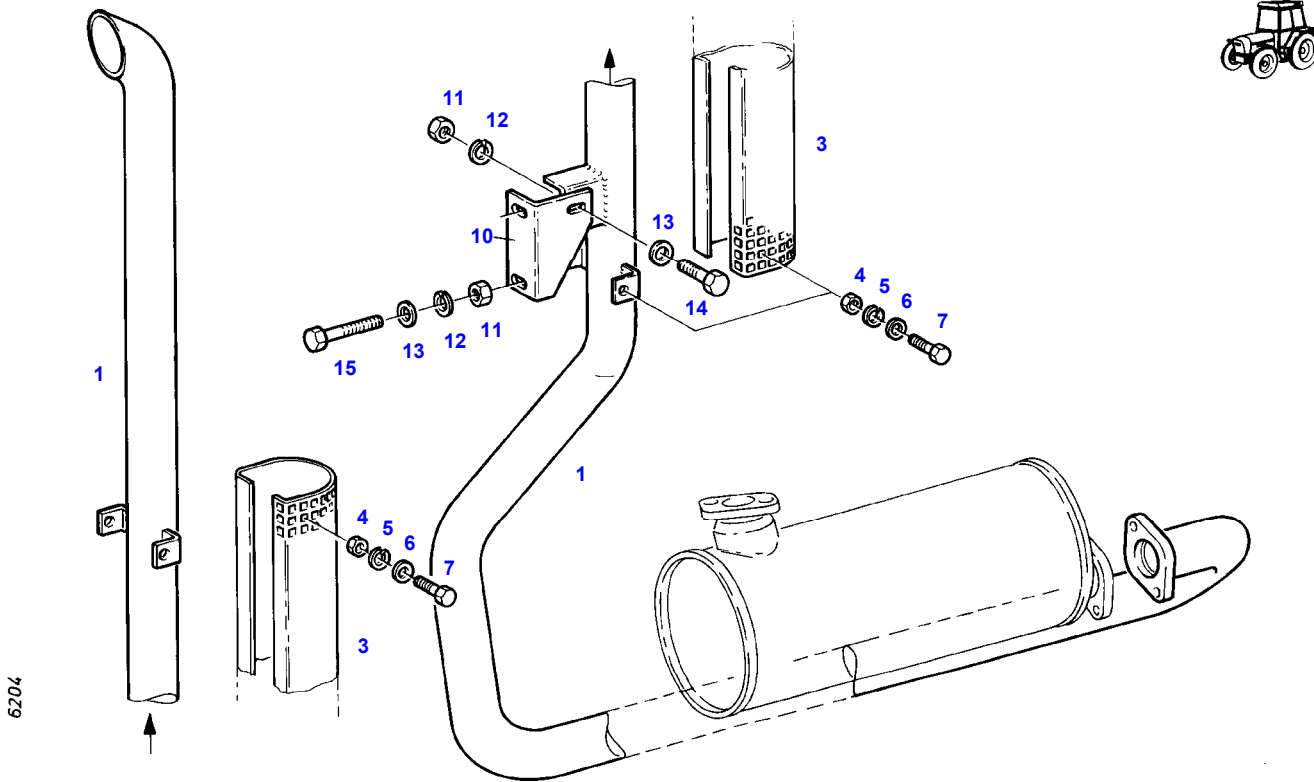
| Item | Part Number | Qty | Description Comments | Technical Specification |
|------|-------------|-----|---------------------------|--------------------------------|
| 1 | 72397848 | 1 | EXHAUST COLLECTING PIPE | |
| 2 | 72431541 | 3 | SEAL REPLACE ALL SEALS | |
| 3 | 72373907 | 6 | STUD BOLT | DIN 835 M8X35-8.8 |
| 4 | 72324283 | 6 | NUT | |
| 5 | 72376173 | 3 | SEAL | DIN71511-56X82X1,5-ST AFM5M.E. |
| 6 | 72313776 | 2 | STUD BOLT | DIN 939 M10X25-8.8 |
| 7 | 72313273 | 6 | NUT | DIN 934 M10-MS |
| 8 | 72358122 | 1 | FRONT SILENCER | |
| | 72358123 | 1 | CATALYTIC CONVERTER | |
| 9 | 72315685 | 2 | HEXAGONAL HEAD BOLT | DIN 933 M10X30-8.8A3L |
| 10 | 72358124 | 1 | MUFFLER | |
| 11 | 72397843 | 1 | ANGLE | |
| 12 | 72315646 | 2 | HEXAGONAL HEAD BOLT | DIN 933 M8X18-8.8A3L |
| 13 | 72313268 | 2 | NUT | DIN 934 M8-8A3L |
| 14 | 72315053 | 2 | SPLIT WASHER | FWN 65208-8-A3L |
| 15 | 72311788 | 1 | DISC | DIN 125-8,4-ST.A3L |
| 16 | 72397846 | 1 | SPLASH PANEL | |
| 17 | 72397847 | 1 | INSULATING PLATE | |
| 18 | 72397845 | 1 | SCREENING SHIELD | |
| 19 | 72315820 | 2 | SCREW | DIN7976-ST6,3X13-C-A3L |
| 25 | 72359726 | 1 | TAIL PIPE | |

FARMER 240S (294/00001-99999)
6434



| Item | Part Number | Qty | Description Comments | Technical Specification |
|----------------|-------------|-----|-----------------------------|-------------------------|
| UPRIGHT | | | | |
| 1 | 72359730 | 1 | TAIL PIPE | |
| 3 | 72408227 | 1 | CLAMP | |
| 4 | 72313266 | 1 | NUT | DIN 934 M6-8A3L |
| 5 | 72315052 | 1 | SPLIT WASHER | FWN 65208-6-A3L |
| 6 | 72311787 | 1 | DISC | DIN 125-6,4-ST.A3L |
| 7 | 72315626 | 1 | HEXAGONAL HEAD BOLT | DIN 933-M6 X 16-8.8-A3L |
| 8 | 72397857 | 1 | ANGLE | |
| 10 | 72397853 | 1 | SCREENING SHIELD | |
| | 72397855 | 1 | SCREENING SHIELD 77DB(A) | |
| 11 | 72313268 | 2 | NUT | DIN 934 M8-8A3L |
| 12 | 72315053 | 2 | SPLIT WASHER | FWN 65208-8-A3L |
| 13 | 72311788 | 4 | DISC | DIN 125-8,4-ST.A3L |
| 14 | 72315651 | 2 | HEXAGONAL HEAD BOLT | DIN 933 M8X22-8.8A3L |
| 16 | 72315701 | 1 | HEXAGONAL HEAD BOLT | DIN 933-M10X120-8.8-A3L |
| 17 | 72311789 | 1 | DISC | DIN 125-10,5-ST.A3L |
| 18 | 72400514 | 1 | ANGLE | |
| 19 | 72313272 | 1 | NUT | DIN 934 M10-8A3L |
| 22 | 72315665 | 1 | HEXAGONAL HEAD BOLT | DIN 933 M8X45-8.8A3L |
| 23 | 72316967 | 1 | SPACER TUBE | |

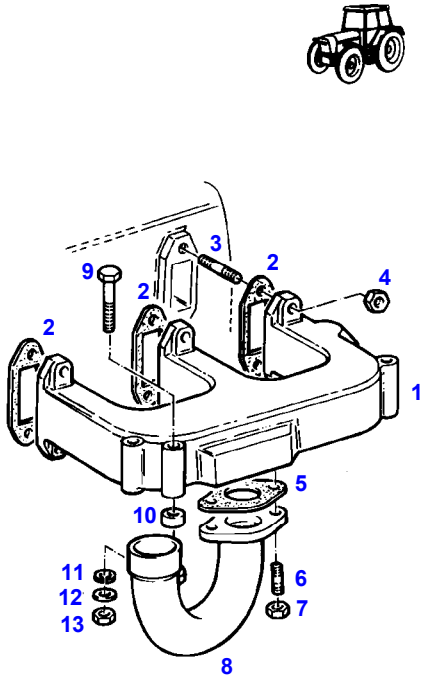
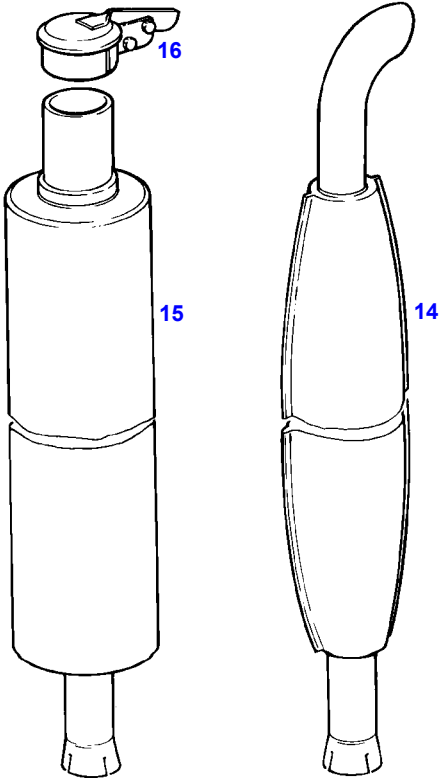
FARMER 240S (294/00001-99999)
6204



6204

| Item | Part Number | Qty | Description Comments | Technical Specification |
|------|-------------|-----|-------------------------|-------------------------|
| | | | UPRIGHT | |
| 1 | 72359728 | 1 | TAIL PIPE | |
| 3 | 72400513 | 1 | SCREENING SHIELD | |
| 4 | 72313264 | 4 | NUT | DIN 934 M5-8A3L |
| 5 | 72315051 | 4 | SPLIT WASHER | FWN 65208-5-A3L |
| 6 | 72311818 | 4 | DISC | DIN9021-5,3-140HV-A3L |
| 7 | 72315619 | 4 | HEXAGONAL HEAD BOLT | DIN 933 M5X16-8.8A3L |
| 10 | 72400512 | 1 | ANGLE | |
| 11 | 72313268 | 3 | NUT | DIN 934 M8-8A3L |
| 12 | 72315053 | 3 | SPLIT WASHER | FWN 65208-8-A3L |
| 13 | 72311788 | 4 | DISC | DIN 125-8,4-ST.A3L |
| 14 | 72315653 | 1 | HEXAGONAL HEAD BOLT | DIN 933 M8 X 25-8.8A3L |
| 15 | 72315665 | 2 | HEXAGONAL HEAD BOLT | DIN 933 M8X45-8.8A3L |

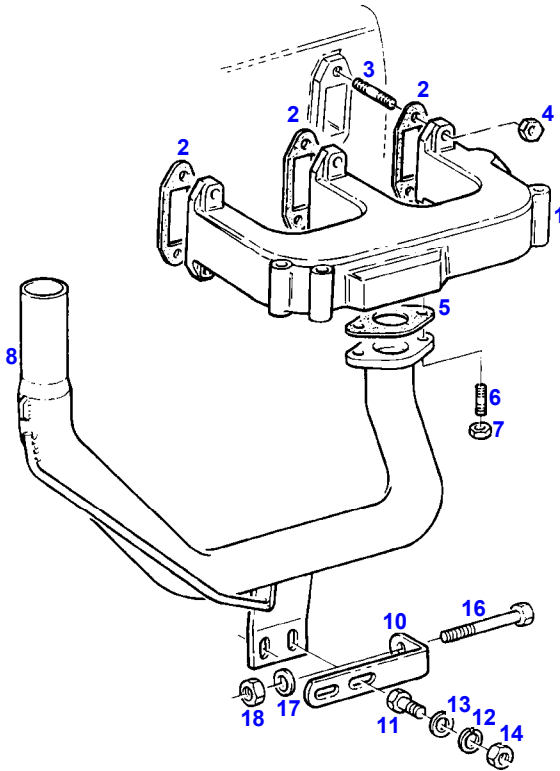
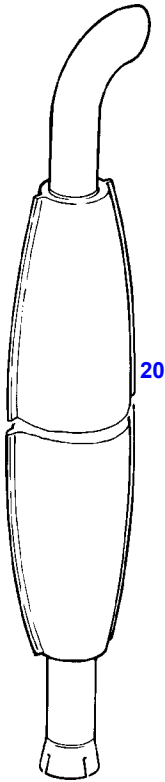
FARMER 240S (294/00001-99999)
5019



5019

| Item | Part Number | Qty | Description Comments | Technical Specification |
|------|-------------|-----|--|--------------------------------|
| | | | --> 294/0352 | |
| 1 | 72397848 | 1 | EXHAUST COLLECTING PIPE | |
| 2 | 72431541 | 3 | SEAL REPLACE ALL SEALS | |
| 3 | 72373907 | 6 | STUD BOLT | DIN 835 M8X35-8.8 |
| 4 | 72324283 | 6 | NUT | |
| 5 | 72376173 | 1 | SEAL | DIN71511-56X82X1,5-ST AFM5M.E. |
| 6 | 72313776 | 2 | STUD BOLT | DIN 939 M10X25-8.8 |
| 7 | 72313273 | 2 | NUT | DIN 934 M10-MS |
| 8 | 72358125 | 1 | EXHAUST PIPE <-- H205.200.103.010 <> <> | |
| | 72311789 | 1 | DISC | DIN 125-10,5-ST.A3L |
| | 72313268 | 2 | NUT | DIN 934 M8-8A3L |
| | 72315553 | 1 | HEXAGONAL HEAD BOLT | DIN 931 M10X110 GWA-10.9 |
| | 72311788 | 2 | DISC | DIN 125-8,4-ST.A3L |
| | 72315651 | 2 | HEXAGONAL HEAD BOLT | DIN 933 M8X22-8.8A3L |
| | 72400514 | 1 | ANGLE | |
| | 72313272 | 1 | NUT | DIN 934 M10-8A3L |
| | 72315053 | 2 | SPLIT WASHER | FWN 65208-8-A3L |
| 9 | 72315525 | 1 | HEXAGONAL HEAD BOLT | DIN 931 M8 X 90-8.8A3L |
| 10 | 72315174 | 1 | RING | |
| 11 | 72311788 | 1 | DISC | DIN 125-8,4-ST.A3L |
| 12 | 72315053 | 1 | SPLIT WASHER | FWN 65208-8-A3L |
| 13 | 72313268 | 1 | NUT | DIN 934 M8-8A3L |
| 14 | 72358126 | 1 | EXHAUST MUFFLER | |
| 15 | 72354927 | 1 | SPARK ARRESTER ><16 <-- H205.200.101.020 | |
| 16 | 72348659 | 1 | EXHAUST WEATHER CAP | |

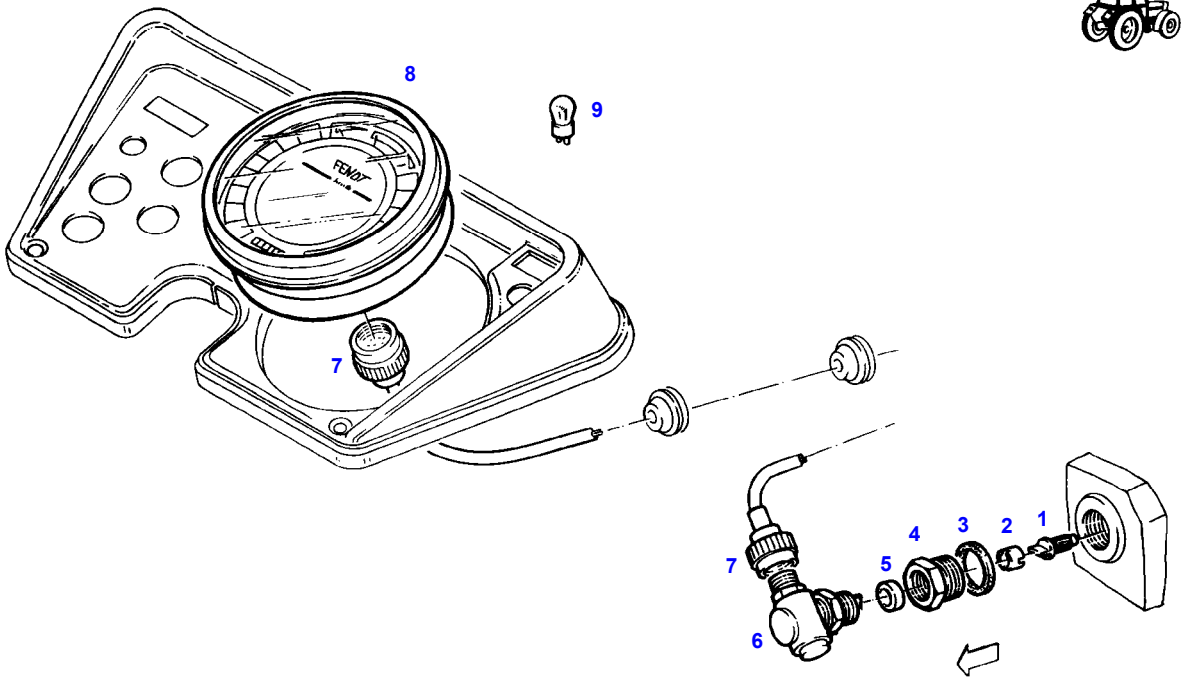
FARMER 240S (294/00001-99999)
10065



10065

| Item | Part Number | Qty | Description Comments | Technical Specification |
|------|-------------|-----|---------------------------|--------------------------------|
| | | | <-- 294/0353 | |
| 1 | 72397848 | 1 | EXHAUST COLLECTING PIPE | |
| 2 | 72431541 | 3 | SEAL REPLACE ALL SEALS | |
| 3 | 72373907 | 6 | STUD BOLT | DIN 835 M8X35-8.8 |
| 4 | 72324283 | 6 | NUT | |
| 5 | 72376173 | 1 | SEAL | DIN71511-56X82X1,5-ST AFM5M.E. |
| 6 | 72313776 | 2 | STUD BOLT | DIN 939 M10X25-8.8 |
| 7 | 72313273 | 2 | NUT | DIN 934 M10-MS |
| 8 | 72358127 | 1 | EXHAUST PIPE | |
| 10 | 72400514 | 1 | ANGLE | |
| 11 | 72315651 | 2 | HEXAGONAL HEAD BOLT | DIN 933 M8X22-8.8A3L |
| 12 | 72315053 | 2 | SPLIT WASHER | FWN 65208-8-A3L |
| 13 | 72311788 | 4 | DISC | DIN 125-8,4-ST.A3L |
| 14 | 72313268 | 2 | NUT | DIN 934 M8-8A3L |
| 16 | 72315553 | 1 | HEXAGONAL HEAD BOLT | DIN 931 M10X110 GWA-10.9 |
| 17 | 72311789 | 1 | DISC | DIN 125-10,5-ST.A3L |
| 18 | 72313272 | 1 | NUT | DIN 934 M10-8A3L |
| 20 | 72358126 | 1 | EXHAUST MUFFLER | |

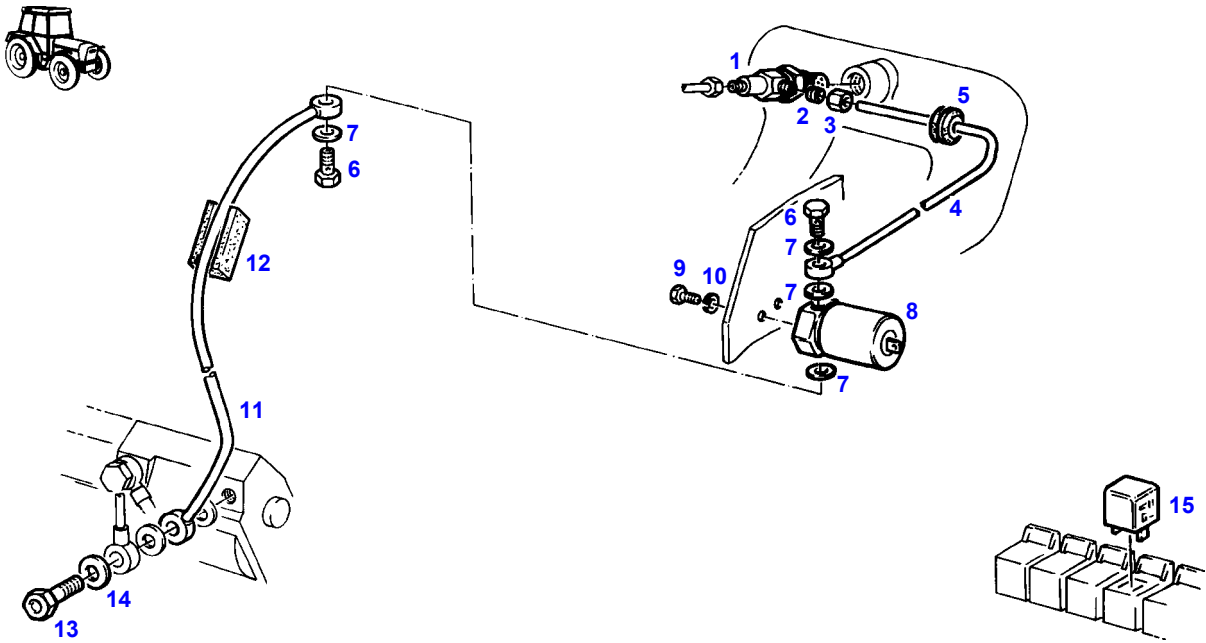
FARMER 240S (294/00001-99999)
5013



5013

| Item | Part Number | Qty | Description Comments | Technical Specification |
|------|-------------|-----|---|-------------------------|
| 1 | 72323885 | 1 | SPIGOT | |
| 2 | 72324243 | 1 | DRIVER | |
| 3 | 72376036 | 1 | SEALING WASHER | DIN7603 A24X30-ALU |
| 4 | 72324020 | 1 | SCREW | |
| 5 | 72323976 | 1 | RING | |
| 6 | 72379876 | 1 | BEVEL GEAR SYSTEM | |
| 7 | 72379883 | 1 | DRIVE SHAFT 995 MM <-- F248.200.160.010 | 1125LG |
| 8 | 72379860 | 1 | INSTRUMENT CLUSTER ><8+9 | |
| 9 | 72379261 | 15 | FILAMENT BULB | 12V2W |

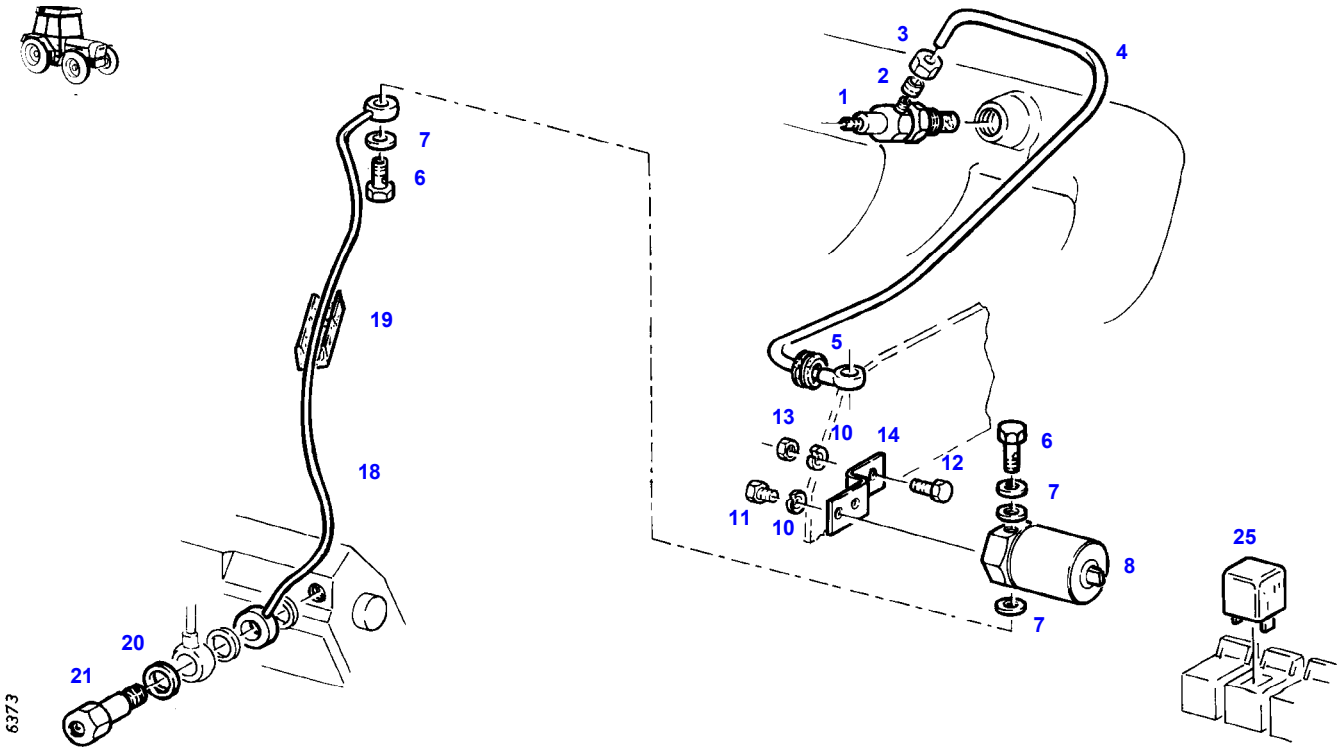
FARMER 240S (294/00001-99999)
5024



5024

| Item | Part Number | Qty | Description Comments | Technical Specification |
|------|-------------|-----|-------------------------|-------------------------|
| | | | --> 294/0321 | |
| 1 | 72433489 | 1 | ROD FLAME GLOW PLUG | |
| 2 | 72377312 | 1 | DOUBLE V-RING | DIN 3862-6-9SMNPB28K+G |
| 3 | 72378005 | 1 | CONNECTING NUT | DIN 3870 ALL6-9S20K A3L |
| 4 | 72358129 | 1 | TUBING | |
| 5 | 72323527 | 1 | RUBBER MOUNTING | |
| 6 | 72315806 | 2 | BANJO BOLT | DIN 7643-6-3-A3L |
| 7 | 72315088 | 4 | SEALING WASHER | DIN 7603 A10X13,5-CU |
| 8 | 72317090 | 1 | VALVE SOLENOID | |
| 9 | 72315628 | 2 | HEXAGONAL HEAD BOLT | DIN 933 M6X10-8.8A3L |
| 10 | 72315052 | 2 | SPLIT WASHER | FWN 65208-6-A3L |
| 11 | 72358128 | 1 | TUBING | |
| 12 | 72393741 | 1 | STRAP | |
| 13 | 72324065 | 1 | VALVE | |
| 14 | 72315095 | 1 | SEALING WASHER | DIN 7603 A14X20-CU |
| 15 | 72428226 | 1 | GLOW TIME RELAY | |
| | | | <> | |
| | 72433489 | 1 | ROD FLAME GLOW PLUG | |

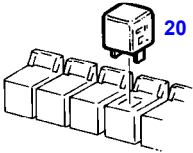
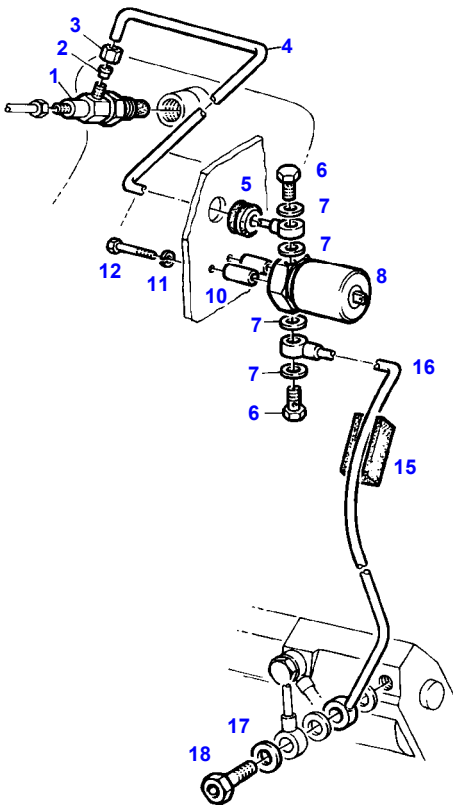
FARMER 240S (294/00001-99999)
6373



6373

| Item | Part Number | Qty | Description Comments | Technical Specification |
|--------------------------|-------------|-----|-------------------------|-------------------------|
| AIR BRAKIN SYSTEM | | | | |
| 1 | 72433489 | 1 | ROD FLAME GLOW PLUG | |
| 2 | 72377312 | 1 | DOUBLE V-RING | DIN 3862-6-9SMNPB28K+G |
| 3 | 72378005 | 1 | CONNECTING NUT | DIN 3870 ALL6-9S20K A3L |
| 4 | 72359723 | 1 | TUBING | |
| 5 | 72323527 | 1 | RUBBER MOUNTING | |
| 6 | 72315806 | 2 | BANJO BOLT | DIN 7643-6-3-A3L |
| 7 | 72315088 | 4 | SEALING WASHER | DIN 7603 A10X13,5-CU |
| 8 | 72317090 | 1 | VALVE SOLENOID | |
| 10 | 72315052 | 4 | SPLIT WASHER | FWN 65208-6-A3L |
| 11 | 72315628 | 2 | HEXAGONAL HEAD BOLT | DIN 933 M6X10-8.8A3L |
| 12 | 72315626 | 2 | HEXAGONAL HEAD BOLT | DIN 933-M6 X 16-8.8-A3L |
| 13 | 72313266 | 2 | NUT | DIN 934 M6-8A3L |
| 14 | 72400511 | 1 | ANGLE | |
| 18 | 72359722 | 1 | TUBING | |
| 19 | 72393741 | 1 | STRAP | |
| 20 | 72315095 | 1 | SEALING WASHER | DIN 7603 A14X20-CU |
| 21 | 72324065 | 1 | VALVE | |
| 25 | 72428226 | 1 | GLOW TIME RELAY | |
| | | | <> | |
| | 72433489 | 1 | ROD FLAME GLOW PLUG | |

FARMER 240S (294/00001-99999)
7004



7004

| Item | Part Number | Qty | Description Comments | Technical Specification |
|------|-------------|-----|-------------------------|-------------------------|
| | | | <-- 294/0322 | |
| 1 | 72433489 | 1 | ROD FLAME GLOW PLUG | |
| 2 | 72377312 | 1 | DOUBLE V-RING | DIN 3862-6-9SMNPB28K+G |
| 3 | 72378005 | 1 | CONNECTING NUT | DIN 3870 ALL6-9S20K A3L |
| 4 | 72358131 | 1 | TUBING | |
| 5 | 72323527 | 1 | RUBBER MOUNTING | |
| 6 | 72315806 | 2 | BANJO BOLT | DIN 7643-6-3-A3L |
| 7 | 72315088 | 4 | SEALING WASHER | DIN 7603 A10X13,5-CU |
| 8 | 72317090 | 1 | VALVE SOLENOID | |
| 10 | 72397849 | 2 | PIPE | |
| 11 | 72315052 | 2 | SPLIT WASHER | FWN 65208-6-A3L |
| 12 | 72315635 | 2 | HEXAGONAL HEAD BOLT | DIN 933 M6X35-8.8A3L |
| 15 | 72393741 | 1 | STRAP | |
| 16 | 72358130 | 1 | TUBING | |
| 17 | 72315095 | 1 | SEALING WASHER | DIN 7603 A14X20-CU |
| 18 | 72324065 | 1 | VALVE | |
| 20 | 72428226 | 1 | GLOW TIME RELAY | |
| | | | <> | |
| | 72433489 | 1 | ROD FLAME GLOW PLUG | |

Thank you so much for reading.
Please click the “Buy Now!”
button below to download the
complete manual.



After you pay.

You can download the most
perfect and complete manual in
the world immediately.

Our support email:

ebooklibonline@outlook.com