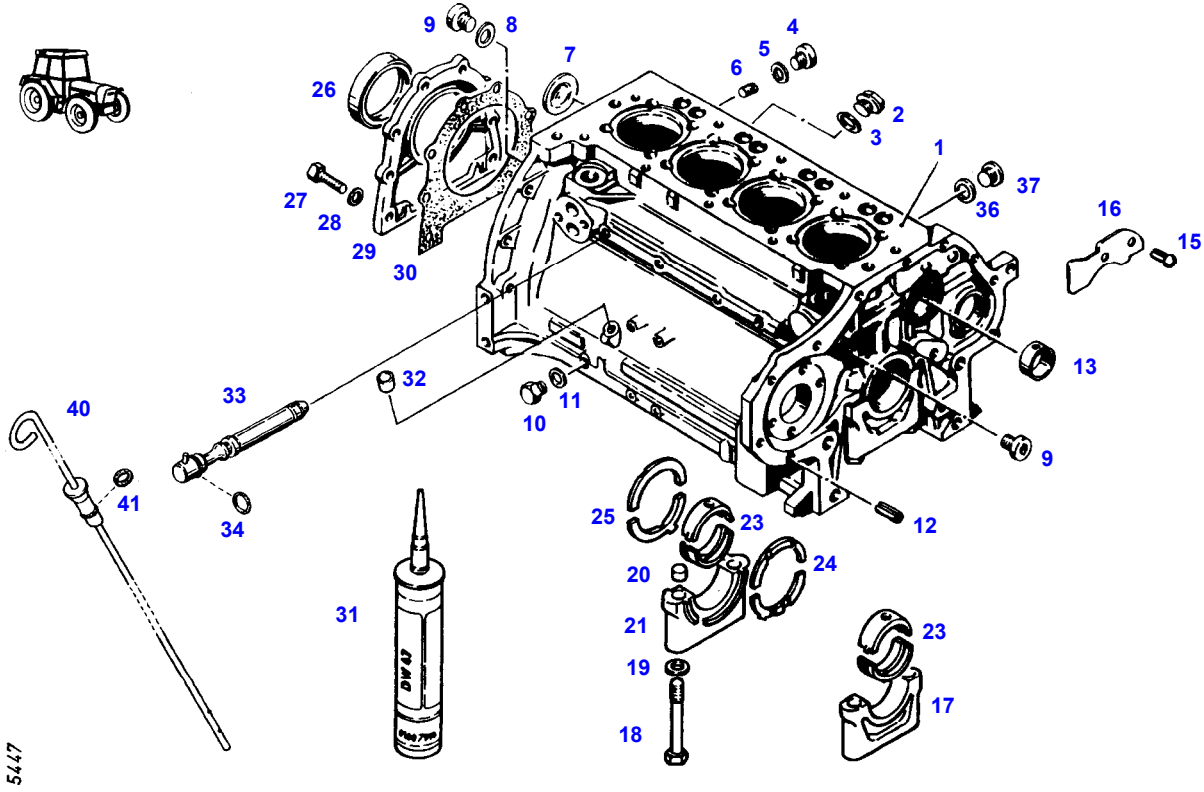


**TABLE OF CONTENT**

<b>Page Number</b>	<b>Page Title</b>	<b>Page Reference</b>
01-000-TOC	ENGINE, FUEL AND EXHAUST SYSTEM	01-000-TOC
02-000-TOC	AXLES	02-000-TOC
03-000-TOC	STEERING SYSTEM	03-000-TOC
04-000-TOC	DRIVE TRAIN SYSTEM	04-000-TOC
05-000-TOC	COMPRESSED AIR SYSTEM	05-000-TOC
06-000-TOC	HYDRAULIC SYSTEM	06-000-TOC
07-000-TOC	ELECTRICAL SYSTEM	07-000-TOC
08-000-TOC	CAB	08-000-TOC
09-000-TOC	AIR CONDITIONING AND HEATING SYSTEM	09-000-TOC
10-000-TOC	CHASSIS	10-000-TOC
11-000-TOC	WHEELS	11-000-TOC
12-000-TOC	IMPLEMENT LIFT SYSTEM FRONT	12-000-TOC
13-000-TOC	IMPLEMENT LIFT SYSTEM REAR	13-000-TOC
14-000-TOC	FRONT/REAR LOADERS	14-000-TOC
15-000-TOC	ATTACHMENTS	15-000-TOC
16-000-TOC	ACCESSORIES	16-000-TOC

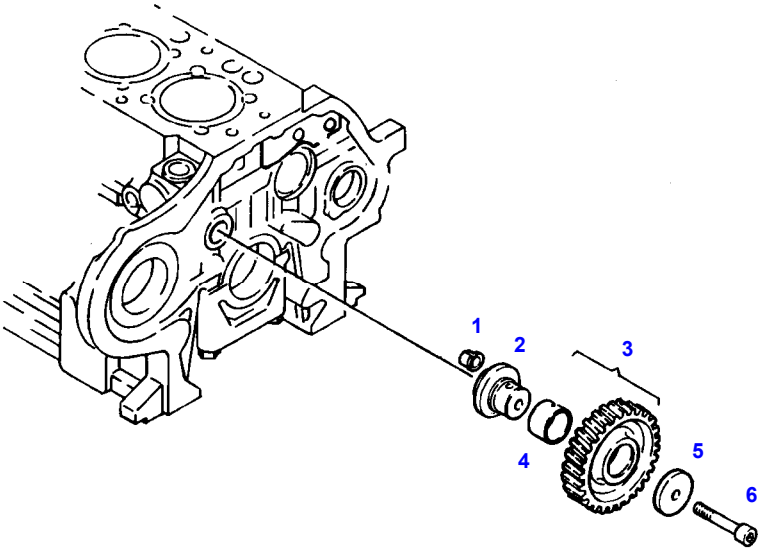
FARMER 275S (297/00001-07000)  
5447



Item	Part Number	Qty	Description Comments	Technical Specification
	72438554	1	DIESEL ENGINE --> 297/4898	
	72436665	1	DIESEL ENGINE <-- 297/4899	
1	72343230	1	CRANKCASE ><1-21 --> 297/4898	
	72333462	1	CRANKCASE ><1-21 <-- 297/4899	
	72324250	1	SEAL KIT	
2	72315803	1	SCREW	DIN 7604 CM26X1,5-ST-A3L
3	72315104	1	SEALING WASHER	DIN 7603 A26X31-CU
4	72427167	5	SCREW	DIN 908 M12 X 1,5-ST-A3
5	72315090	5	SEALING WASHER	DIN 7603 A12X15,5-CU
6	72323675	5	SLOTTED PLUG	
7	72323690	1	LOCKING DISC	
8	72376031	1	SEALING WASHER	DIN 7603 A20X24-CU
9	72323672	2	SCREW	
10	72374942	1	PLUG	DIN 7604 CM10X1-ST
11	72315088	1	SEALING WASHER	DIN 7603 A10X13,5-CU
12	72323573	2	TENSIONER BUSHING	
13	72344344	1	BUSH	
15	72372707	2	SLOTTED PIN	DIN 1476-6X10-ST
16	72324021	1	BAFFLE	
17	72323946	4	BEARING CAP	
18	72323521	10	HEXAGONAL HEAD BOLT --> 297/4898	
	72344343	10	HEXAGONAL HEAD BOLT <-- 297/4899	
19	72323682	10	DISC	
20	72324286	10	ADAPTER BUSH --> 297/4898	
	72344342	10	ADAPTER BUSH <-- 297/4899	
21	72323945	1	BEARING CAP	
23	72324293	5	CRANKSHAFT BEARING 70,00 MM	
	72415975	5	CRANKSHAFT BEARING 69,75 MM	
	72415976	5	CRANKSHAFT BEARING 69,50 MM	
24	72323983	1	THRUST RING 3,00 MM	
	72323984	1	THRUST RING FOR STEEL CRANKSHAFT 3,25 MM	
	72425121	1	THRUST RING FOR CAST STEEL CRANKSHAFT 3,14 MM	
	72323985	1	THRUST RING FOR STEEL CRANKSHAFT 3,50 MM	
25	72425118	1	THRUST RING 2,94 MM	
	72323990	1	THRUST RING FOR STEEL CRANKSHAFT 3,25 MM	
	72323991	1	THRUST RING FOR STEEL CRANKSHAFT 3,50 MM	
	72496405	1	THRUST RING FOR CAST STEEL CRANKSHAFT 3,14 MM	3,14MM
26	72425119	1	SHAFT SEAL	
27	72315650	8	HEXAGONAL HEAD BOLT	DIN 933 M8 X 20-8.8A3L

Item	Part Number	Qty	Description Comments	Technical Specification
28	72311788	8	DISC	DIN 125-8,4-ST.A3L
29	72324099	1	COVER	
30	72324291	1	SEAL /31	
31	72311273	1	SEALING COMPOUND /30	TEROST-63S
32	72323574	1	TENSIONER BUSHING	
33	72324217	1	SPRAY NOZZLE ENG.NO. <-- 7 528 227 --> 7 607 027 ><33+34	
	72324216	1	SPRAY NOZZLE <-- 7 527 189 --> 7 527 198 ENG.NO. ><33+34 <-- 7 608 945	
34	72323628	1	SEAL	
36	72315090	1	SEALING WASHER	DIN 7603 A12X15,5-CU
37	72427167	1	SCREW	DIN 908 M12 X 1,5-ST-A3
40	72323655	1	DIPSTICK ><40+41	
41	72323631	1	SEAL	

FARMER 275S (297/00001-07000)  
5444



5444

---

Fendt

FARMER 275S (297/00001-07000)

F297000

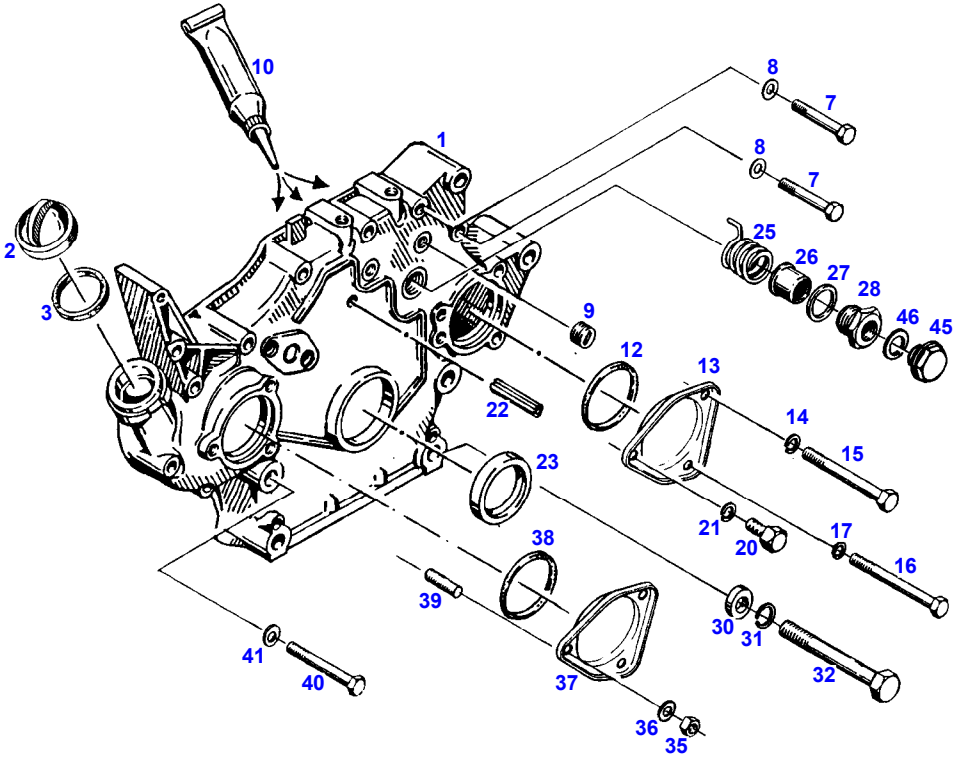
INTERM. GEAR WHEEL

Page01-0024

---

Item	Part Number	Qty	Description Comments
1	72344346	1	TENSIONER BUSHING
2	72344347	1	PIVOT
3	72324456	1	GEAR WHEEL ><3+4
4	72324455	1	BUSH
5	72324457	1	DISC
6	72324090	1	SOCKET HEAD BOLT

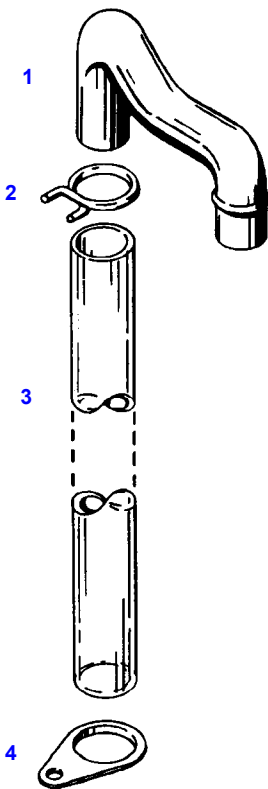
FARMER 275S (297/00001-07000)  
10067



10067

Item	Part Number	Qty	Description Comments	Technical Specification
1	72323843	1	COVER	
2	72323709	1	COVER ><2+3	
3	72323708	1	SEALING WASHER	
7	72315534	2	HEXAGONAL HEAD BOLT	DIN 931 M8 X 70-8.8
8	72311788	2	DISC	DIN 125-8,4-ST.A3L
9	72323556	1	SLOTTED PLUG	
10	72311273	1	SEALING COMPOUND	TEROST-63S
12	72323566	1	PERMANENT REINFORCEMENT	
13	72324418	1	COVER	
	72400932	1	COVER AIR SUPPLY EQUIPEMENT/AIR CONDITION AIR SUPPLY EQUIPMENT WITH ARI CONDITION	
14	72315054	1	SPLIT WASHER	FWN 65208-10-A3L
15	72374183	1	HEXAGONAL HEAD BOLT	DIN 931 M10X75-8.8
16	72315537	1	HEXAGONAL HEAD BOLT	DIN 931 M8X85-8.8A3L
17	72311788	1	DISC	DIN 125-8,4-ST.A3L
20	72374417	1	HEXAGONAL HEAD BOLT	DIN 933 M8X8-8.8
21	72315053	1	SPLIT WASHER	FWN 65208-8-A3L
22	72375153	1	TENSIONING PIN	ISO8752-6X45-A-ST-ZNPHR10F-KOE
23	72317651	1	SHAFT SEAL	
25	72324159	1	COMPRESSION SPRING	
26	72323827	1	START-UP CAP	
27	72376036	1	SEALING WASHER	DIN7603 A24X30-ALU
28	72324020	1	SCREW	
30	72311805	16	DISC	DIN 433-15-ST.A3L
31	72315056	4	SPLIT WASHER	FWN 65208-14-A3L
32	72374266	4	HEXAGONAL HEAD BOLT	DIN 931 M14X100-8.8
35	72313268	3	NUT	DIN 934 M8-8A3L
36	72323688	3	RING	
37	72324418	1	COVER	
38	72323566	1	PERMANENT REINFORCEMENT	
39	72373897	3	STUD BOLT	DIN 835 M8X18-A4C
	72373899	3	STUD BOLT	DIN 835 M8X20-A4C
40	72606335	1	HEXAGONAL HEAD BOLT	M8X60
41	72311788	1	DISC	DIN 125-8,4-ST.A3L
45	72315801	1	SCREW <-- 297/4899	DIN 7604-AM18 X 1,5-ST A3L
46	72315099	1	SEALING WASHER <-- 297/4899	DIN 7603 A18X22-CU





5445

---

Fendt

FARMER 275S (297/00001-07000)

F297000

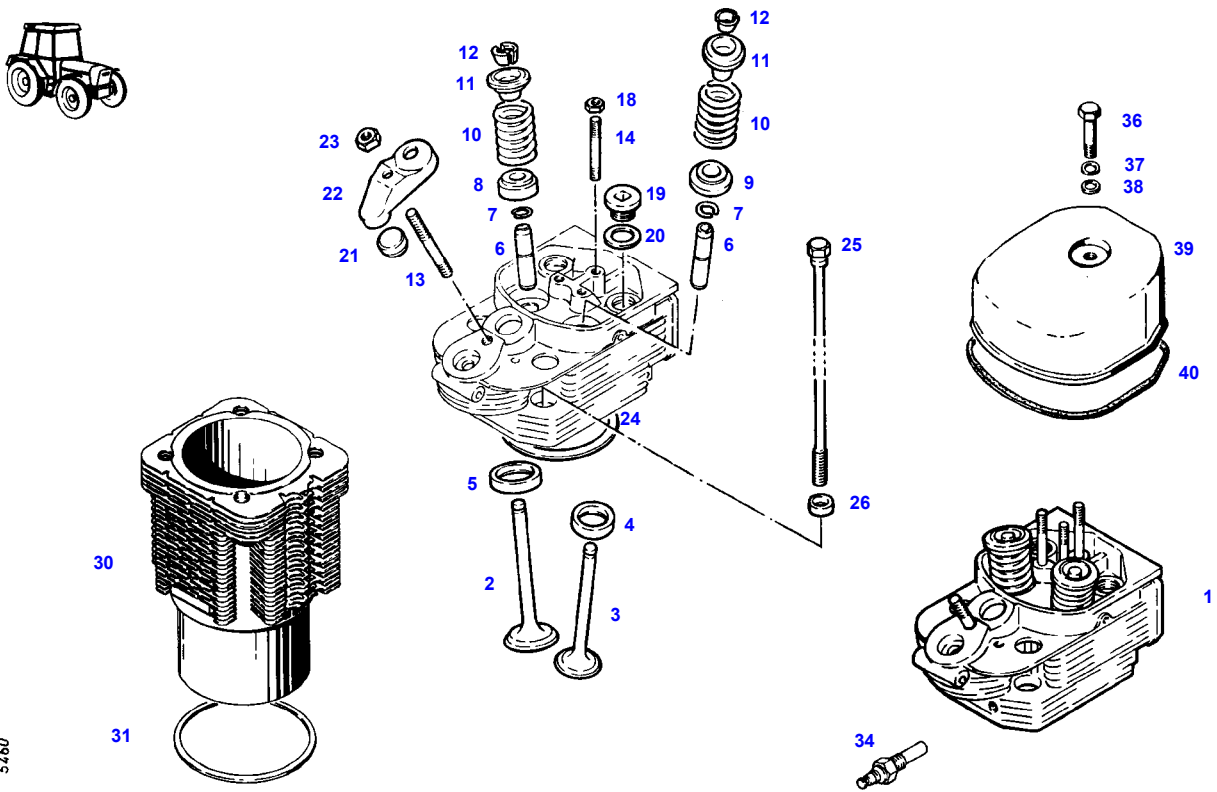
BREATHER PIPE

Page01-0026

---

Item	Part Number	Qty	Description Comments
1	72323767	1	PIPE
2	72323550	1	CLAMP
3	72323735	1	HOSE
4	72323745	1	RETAINING SHEET METAL

FARMER 275S (297/00001-07000)  
5460

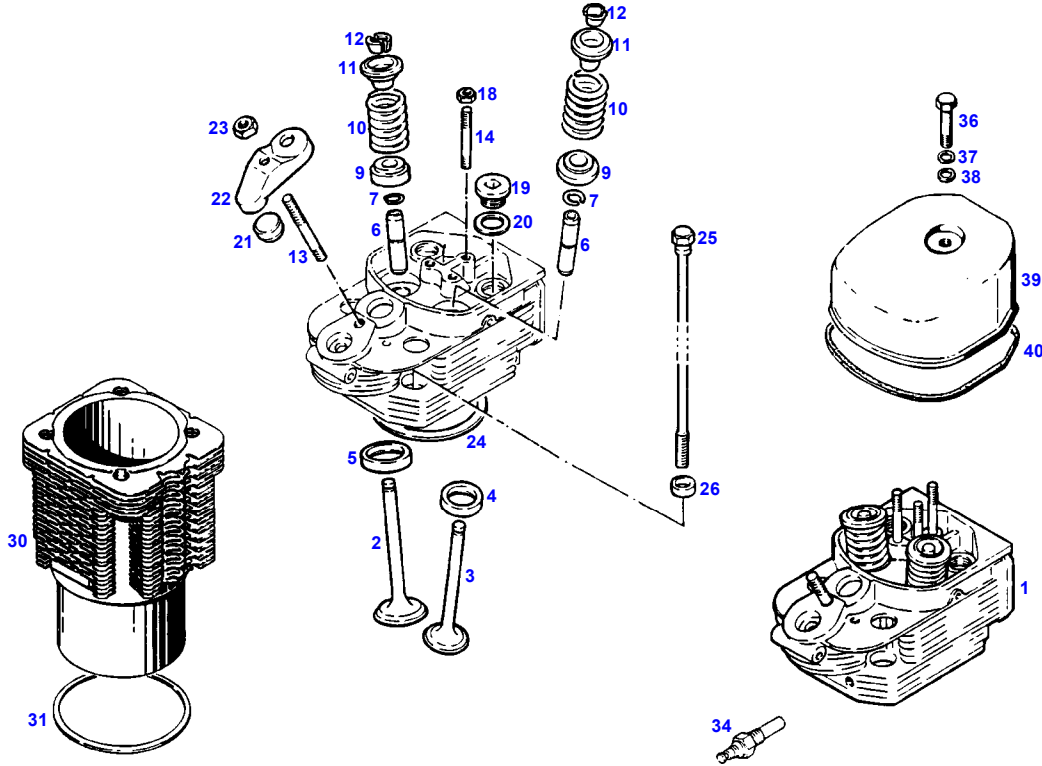


5460

Item	Part Number	Qty	Description Comments	Technical Specification
			--> 297/4898	
1	72324423	4	CYLINDER HEAD ><1-14 <>24 <>	
	72324496	4	COMPENSATING RING	
	72344274	4	COMPENSATING RING	
	72344282	4	COMPENSATING RING	
	72344276	4	COMPENSATING RING	
	72344277	4	COMPENSATING RING	
	72344280	4	COMPENSATING RING	
	72344278	4	COMPENSATING RING	
	72344281	4	COMPENSATING RING	
	72344279	4	COMPENSATING RING	
	72344275	4	COMPENSATING RING	
2	72324437	4	INTAKE VALVE <>	
	72323888	1	SPRING RETAINER	
	72333115	2	VALVE SPRING KEY	
3	72425071	4	OUTLET VALVE <>	
	72323888	1	SPRING RETAINER	
	72333115	1	VALVE SPRING KEY	
4	72323897	4	VALVE SEAT RING 40,16 MM	
	72323898	4	VALVE SEAT RING 40,26 MM	
	72323899	4	VALVE SEAT RING 40,36 MM	
5	72323894	4	VALVE SEAT RING 45,66 MM	
	72323895	4	VALVE SEAT RING 45,76 MM	
	72323896	4	VALVE SEAT RING 45,85 MM	
6	72324060	8	VALVE GUIDE 15,00 MM	
	72324070	8	VALVE GUIDE 15,25 MM	
	72324071	8	VALVE GUIDE 15,50 MM	
7	72323676	8	LOCKWASHER	
8	72323783	4	VALVE TURN. DEV.	
9	72323888	4	SPRING RETAINER	
10	72324338	8	COMPRESSION SPRING	
11	72324349	8	SPRING RETAINER	
12	72323582	16	TAPER PIECE HALF	
13	72373929	4	STUD BOLT	DIN 835 M10X70-8.8
14	72418370	12	STUD BOLT	DIN 835-M8 SN4X55-8.8
18	72313268	12	NUT	DIN 934 M8-8A3L
19	72373957	8	SCREW	DIN 908-M26X1,5-ST-A3L
20	72315104	8	SEALING WASHER	DIN 7603 A26X31-CU
21	72323919	4	DISC	
22	72323921	4	HOLDER	
23	72313272	4	NUT	DIN 934 M10-8A3L
24	72324496	4	COMPENSATING RING 1,10 MM	
	72344274	4	COMPENSATING RING 1,15 MM	
	72344275	4	COMPENSATING RING 1,20 MM	
	72344276	4	COMPENSATING RING 1,25 MM	

Item	Part Number	Qty	Description Comments	Technical Specification
	72344277	4	COMPENSATING RING 1,30 MM	
	72344278	4	COMPENSATING RING 1,35 MM	
	72344279	4	COMPENSATING RING 1,40 MM	
	72344280	4	COMPENSATING RING 1,45 MM	
	72344281	4	COMPENSATING RING 1,50 MM	
	72344282	4	COMPENSATING RING 1,55 MM	
25	72324409	16	SOCKET HEAD BOLT	
26	72324345	16	MACHINE WASHER	
30	72324477	4	CYLINDER 102,00 MM	
31	72323891	X	COMPENSATING RING 0,20 MM	
	72324067	X	COMPENSATING RING 0,50 MM	
	72324374	X	COMPENSATING RING 0,80 MM	
	72324201	X	COMPENSATING RING 1,00 MM	
34			SEE LIGHTS AND HORN	
36	72315657	4	HEXAGONAL HEAD BOLT FLAT	DIN 933 M8 X 30-8.8A3L
	72325293	4	HEXAGONAL HEAD BOLT FOR DOMED CYLINDER HEAD COVER	M8X30
37	72311788	4	DISC	DIN 125-8,4-ST.A3L
38	72323693	4	SEALING WASHER	
	72488855	4	SEALING WASHER FOR DOMED CYLINDER HEAD COVER	
39	72324097	4	CYLINDER HEAD COVER FLAT	
			<-- F149.200.210.240	
	72488845	4	CYLINDER HEAD COVER VAULTED ><36,38,40	
40	72485671	4	SEAL	
	72485671	4	SEAL FOR DOMED CYLINDER HEAD COVER	

FARMER 275S (297/00001-07000)  
10209



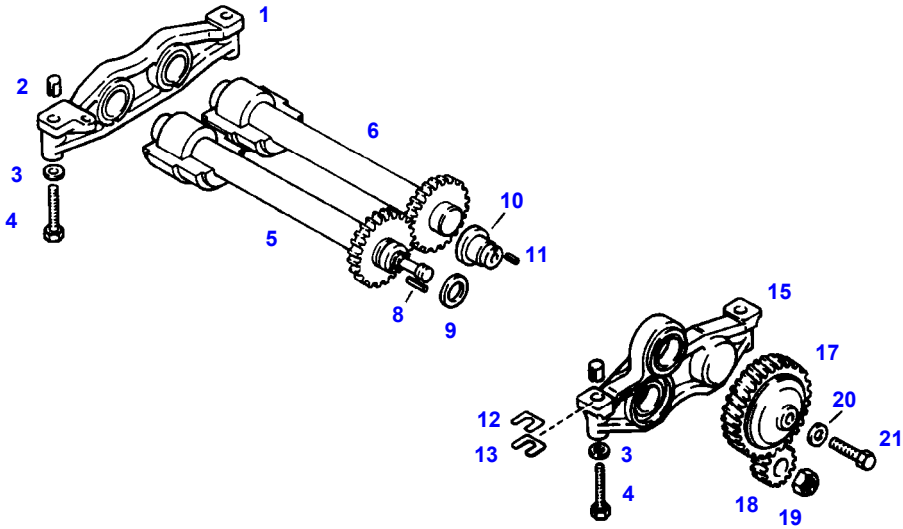
10209

Item	Part Number	Qty	Description Comments	Technical Specification
			<-- 297/4899	
1	72333466	4	CYLINDER HEAD ><1-14 <>24 <>	
	72344274	4	COMPENSATING RING	
	72344280	4	COMPENSATING RING	
	72344277	4	COMPENSATING RING	
	72344281	4	COMPENSATING RING	
	72344282	4	COMPENSATING RING	
	72344278	4	COMPENSATING RING	
	72344279	4	COMPENSATING RING	
	72344275	4	COMPENSATING RING	
	72324496	4	COMPENSATING RING	
	72344276	4	COMPENSATING RING	
2	72324437	4	INTAKE VALVE	
3	72425071	4	OUTLET VALVE	
4	72323897	4	VALVE SEAT RING 40,16 MM	
	72323898	4	VALVE SEAT RING 40,26 MM	
	72323899	4	VALVE SEAT RING 40,36 MM	
5	72323894	4	VALVE SEAT RING 45,66 MM	
	72323895	4	VALVE SEAT RING 45,76 MM	
	72323896	4	VALVE SEAT RING 45,85 MM	
6	72324060	8	VALVE GUIDE 15,00 MM	
	72324070	8	VALVE GUIDE 15,25 MM	
	72324071	8	VALVE GUIDE 15,50 MM	
7	72323676	8	LOCKWASHER	
9	72323888	8	SPRING RETAINER	
10	72324338	8	COMPRESSION SPRING	
11	72324349	8	SPRING RETAINER	
12	72333115	16	VALVE SPRING KEY	
13	72373929	4	STUD BOLT	DIN 835 M10X70-8.8
14	72418370	12	STUD BOLT	DIN 835-M8 SN4X55-8.8
18	72313268	12	NUT	DIN 934 M8-8A3L
19	72373957	8	SCREW	DIN 908-M26X1,5-ST-A3L
20	72315104	8	SEALING WASHER	DIN 7603 A26X31-CU
21	72323919	4	DISC	
22	72323921	4	HOLDER	
23	72313272	4	NUT	DIN 934 M10-8A3L
24	72324496	4	COMPENSATING RING 1,10 MM	
	72344274	4	COMPENSATING RING 1,15 MM	
	72344275	4	COMPENSATING RING 1,20 MM	
	72344276	4	COMPENSATING RING 1,25 MM	
	72344277	4	COMPENSATING RING 1,30 MM	
	72344278	4	COMPENSATING RING 1,35 MM	
	72344279	4	COMPENSATING RING 1,40 MM	
	72344280	4	COMPENSATING RING 1,45 MM	

Item	Part Number	Qty	Description Comments	Technical Specification
	72344281	4	COMPENSATING RING 1,50 MM	
	72344282	4	COMPENSATING RING 1,55 MM	
25	72324409	16	SOCKET HEAD BOLT	
26	72324345	16	MACHINE WASHER	
30	72324477	4	CYLINDER 102,00 MM	
31	72323891	X	COMPENSATING RING 0,20 MM	
	72324067	X	COMPENSATING RING 0,50 MM	
	72324374	X	COMPENSATING RING 0,80 MM	
	72324201	X	COMPENSATING RING 1,00 MM	
34			SEE LIGHTS AND HORN	
36	72315657	4	HEXAGONAL HEAD BOLT	DIN 933 M8 X 30-8.8A3L
	72325293	4	HEXAGONAL HEAD BOLT FOR DOMED CYLINDER HEAD COVER	M8X30
37	72311788	4	DISC	DIN 125-8,4-ST.A3L
38	72323693	4	SEALING WASHER	
	72488855	4	SEALING WASHER FOR DOMED CYLINDER HEAD COVER	
39	72324097	4	CYLINDER HEAD COVER FLAT <-- F149.200.210.240	
	72488845	4	CYLINDER HEAD COVER VAULTED ><36,38,40	
40	72485671	4	SEAL	
	72485671	4	SEAL FOR DOMED CYLINDER HEAD COVER	



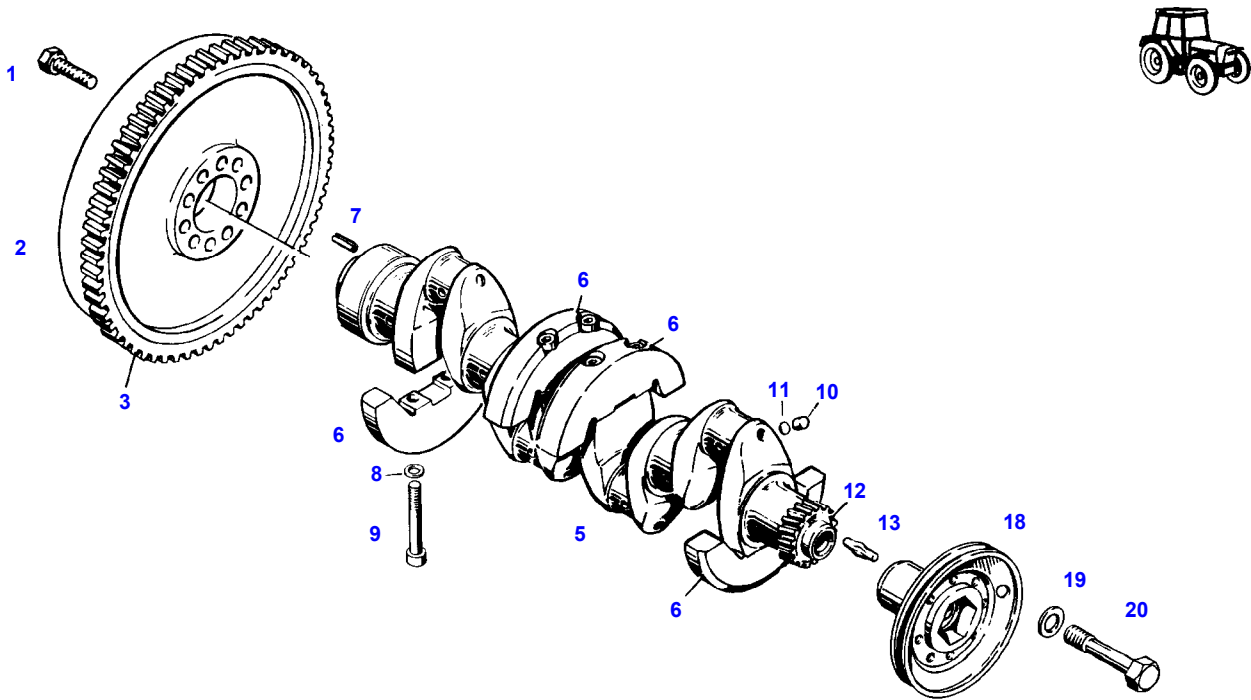
FARMER 275S (297/00001-07000)  
5459



5459

Item	Part Number	Qty	Description Comments	Technical Specification
1	72324145	1	BEARING --> 297/4898	
	72333465	1	BEARING <-- 297/4899	
2	72323642	4	TENSIONER BUSHING	
3	72323685	4	DISC	
4	72374161	4	HEXAGONAL HEAD BOLT	DIN 931 M8X60 GWA-10.9
5	72324131	1	SHAFT --> 297/4898	
	72333464	1	SHAFT <-- 297/4899	
6	72324130	1	SHAFT --> 297/4898	
	72333463	1	SHAFT <-- 297/4899	
8	72313794	1	TENSIONING PIN	ISO8752-3X14-A-ST-ZNPHR10F-KOE
9	72324047	1	DISC	
10	72324134	1	BOLT	
11	72375115	1	TENSIONING PIN	ISO8752-3X8-A-ST-ZNPHR10F-KOEL
12	72323831	2	SHIM SPACER PLATE	
13	72324135	1	SHIM SPACER PLATE	
15	72324146	1	BEARING	
17	72420824	1	INTERMEDIATE GEAR	
18	72324133	1	PINION	
19	72313301	1	NUT	DIN 936 M18X1,5-17H-A3L
20	72431557	1	DISC	
21	72315661	1	HEXAGONAL HEAD BOLT	DIN 933 M8X40-10.9PHR

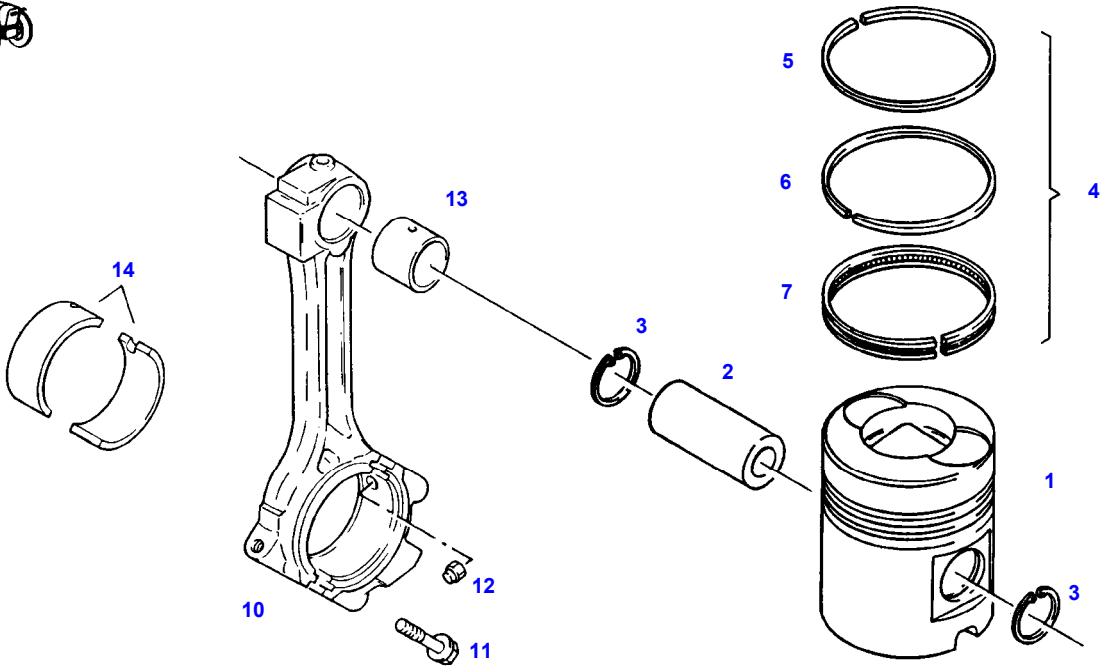
FARMER 275S (297/00001-07000)  
5456



5456

Item	Part Number	Qty	Description Comments	Technical Specification
1	72374803	10	HEXAGONAL HEAD BOLT --> 297/4170	DIN 961 M10X1X45-10.9A4C
	72374802	10	HEXAGONAL HEAD BOLT <-- 297/4171	DIN 961 M10X1X35-10.9A4C
2	72358474	1	FLYWHEEL ><3 --> 297/4170	
	72358475	1	FLYWHEEL ><3 <-- 297/4171	
3	72323784	1	RING GEAR	
5	72324434	1	CRANKSHAFT ><5-13 ENG.NO. --> 8 524 571 <-- F148.200.310.020 1X	
	72317650	1	CRANKSHAFT ><7,12,13 ENG.NO. <-- 8 524 572	
6	72324032	4	COUNTER-BALANCE WEIGHT ENG.NO. --> 8 524 571	
7	72375160	1	TENSIONING PIN	ISO8752-8X18-A-ST
8	72323684	8	DISC ENG.NO. --> 8 524 571	
9	72315513	8	SOCKET HEAD BOLT ENG.NO. --> 8 524 571	DIN 912 M12X60-10.9
10	72323592	4	PLUG ENG.NO. --> 8 524 571	
11	72323572	4	DISC ENG.NO. --> 8 524 571	
12	72324150	1	GEAR WHEEL	
13	72372685	1	DOWEL PIN	
18	72324426	1	V BELT SHEAVE	
19	72323687	1	DISC	
20	72323571	1	WAISTED SHANK BOLT --> 297/4898	
	72344359	1	WAISTED SHANK BOLT <-- 297/4899	

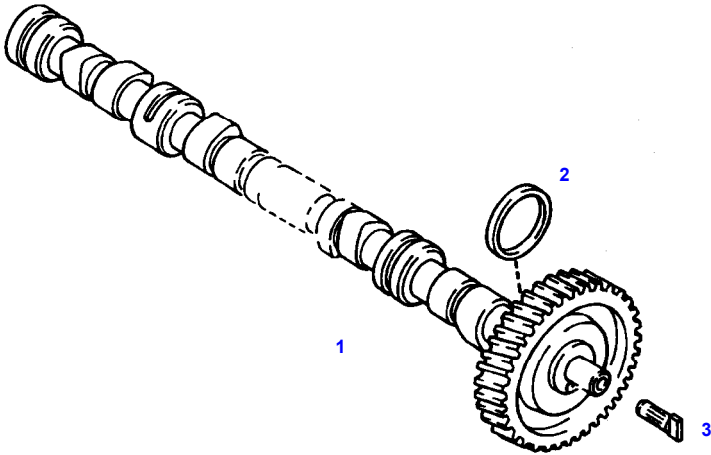
FARMER 275S (297/00001-07000)  
5457



5457

Item	Part Number	Qty	Description Comments	Technical Specification
1	72324501	4	PISTON 102 MM ><1-7 PISTON HEIGHT 113 MM	
	72333417	4	PISTON 102 MM ><1-7 PISTON HEIGHT 105 MM	
	72324442	4	PISTON 102,50 MM ><1-7	
2			NO SPARE PART	
3	72311094	8	LOCK WASHER	DIN 472-35X1,5
4	72324416	4	PISTON RING KIT ><5-7 PISTON HEIGHT 113 MM	
	72333418	4	PISTON RING KIT PISTON HEIGHT 105 MM	
5			NOT AVAILABLE IN SINGLE PARTS	
6			NOT AVAILABLE IN SINGLE PARTS	
7			NOT AVAILABLE IN SINGLE PARTS	
10	72478326	4	PISTON ROD ><10-13	
11	72324484	8	HEXAGONAL HEAD BOLT L=65,00 MM	
	72426149	8	HEXAGONAL HEAD BOLT L=62,50 MM	
12	72323845	4	FIXING PIN	
13	72324343	4	PISTON BUSH	
14	72415974	4	CONNECTING ROD BEARING 60,00 MM	
	72415977	4	CONNECTING ROD BEARING 59,75 MM	
	72415978	4	CONNECTING ROD BEARING 59,50 MM	
	72323927	4	CONNECTING ROD BEARING FOR STEEL CRANKSHAFT 59,25 MM	

FARMER 275S (297/00001-07000)  
5461



5461

---

Fendt

FARMER 275S (297/00001-07000)

F297000

CAMSHAFT

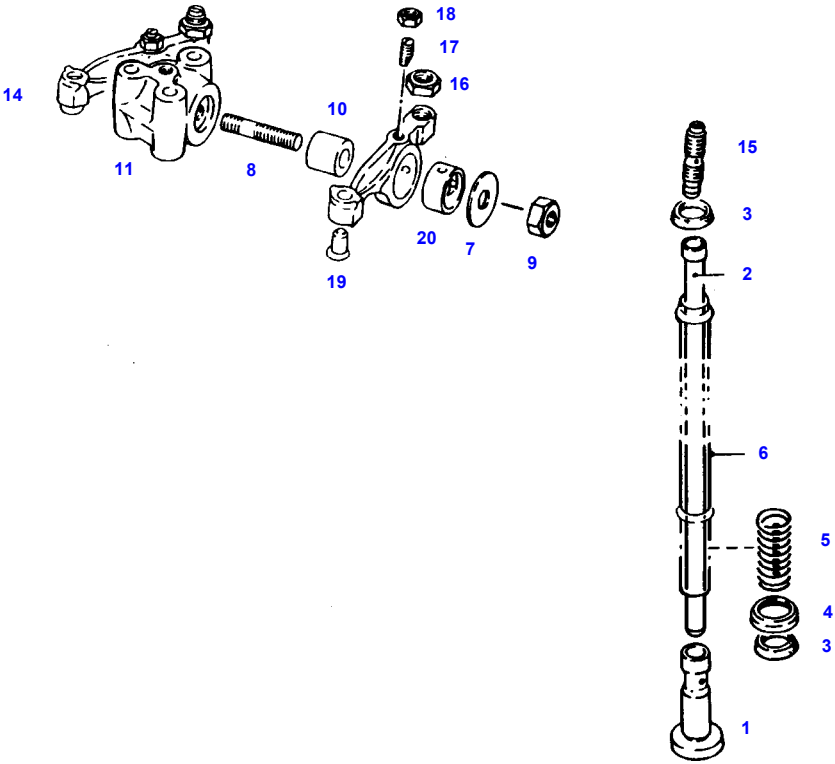
Page01-0032

---

Item	Part Number	Qty	Description Comments
1	72416052	1	CAMSHAFT
2	72324337	1	DISC
3			SEE TRACTOMETER SYSTEM

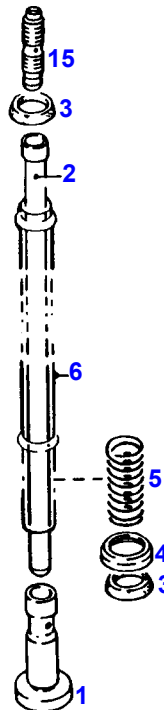
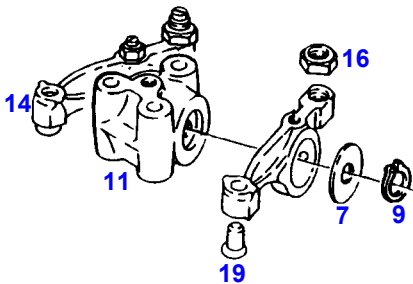


FARMER 275S (297/00001-07000)  
5463



5463

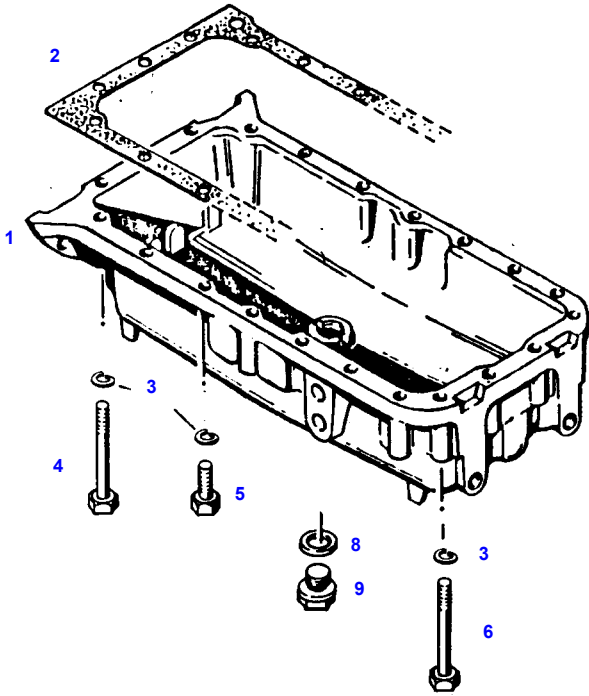
Item	Part Number	Qty	Description Comments	Technical Specification
			--> 297/4898	
1	72324362	8	VALVE TAPPET	
2	72324428	8	BUMPER	
3	72324064	16	SEALING WASHER	
4	72324363	8	CAP	
5	72324360	8	COIL SPRING	
6	72324364	8	SHIELD PIPE	
7	72323681	8	DISC	
8	72313777	8	STUD BOLT	DIN 939 M10X35-8.8
9	72313272	8	NUT	DIN 934 M10-8A3L
10	72324161	8	BUSH	
11	72324359	4	ROCKER ARM SUPPORT	
14	72324142	8	ROCKER ARM ><14-20	
15	72324333	8	ADJUSTING SCREW	
16	72372876	8	NUT	DIN 936 M10X1-17H
17	72324355	8	OIL NOZZLE	
18	72313266	8	NUT	DIN 934 M6-8A3L
19	72324137	8	CLEVIS PIN	
20	72324160	8	BUSH	



10068

Item	Part Number	Qty	Description Comments	Technical Specification
			<-- 297/4899	
1	72324362	8	VALVE TAPPET	
2	72324428	8	BUMPER	
3	72324064	16	SEALING WASHER	
4	72324363	8	CAP	
5	72324360	8	COIL SPRING	
6	72324364	8	SHIELD PIPE	
7	72344293	8	DISC	
9	72375564	8	LOCK WASHER	DIN 471-21X1,2
11	72415982	4	ROCKER ARM SUPPORT	
14	72333469	8	ROCKER ARM ><14-20	
15	72324333	8	ADJUSTING SCREW	
16	72372876	8	NUT	DIN 936 M10X1-17H
19	72324137	8	CLEVIS PIN	

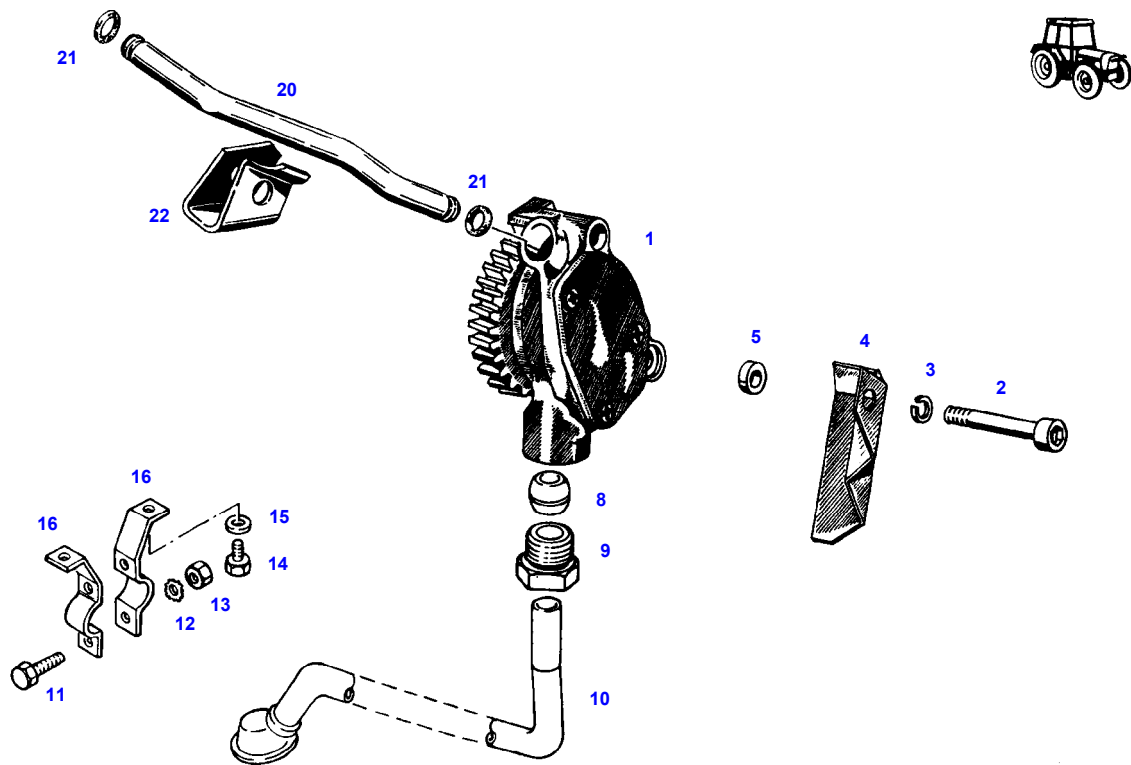
FARMER 275S (297/00001-07000)  
5453



5453

Item	Part Number	Qty	Description Comments	Technical Specification
1	72324476	1	OIL PAN WITH MIDMOUNTING IMPLEMENT 4WD	
	72324170	1	OIL PAN WITHOUT MIDMOUNTING IMPLEMENT 2WD	
2	72324310	1	SEAL	
3	72311788	21	DISC	DIN 125-8,4-ST.A3L
4	72374149	3	HEXAGONAL HEAD BOLT	DIN 931 M8X110-8.8
5	72315657	10	HEXAGONAL HEAD BOLT	DIN 933 M8 X 30-8.8A3L
6	72374145	8	HEXAGONAL HEAD BOLT	DIN 931 M8X90 GWA-10.9
8	72315105	1	SEALING WASHER	DIN 7603 A30X36-CU
9	72374943	1	SCREW	DIN 7604 CM30X1,5-ST

FARMER 275S (297/00001-07000)  
5464

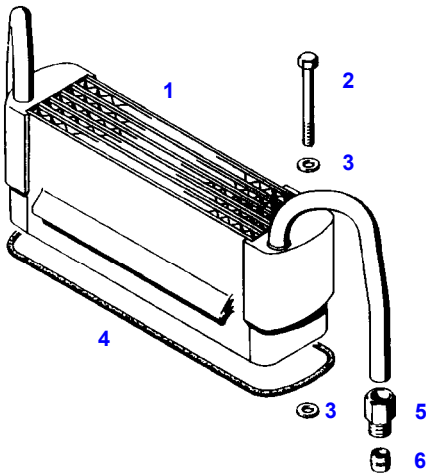


5464

Item	Part Number	Qty	Description Comments	Technical Specification
1	72333449	1	LUBRICATING OIL PUMP --> 297/4898	
	72333470	1	LUBRICATING OIL PUMP <-- 297/4899	
2	72374027	2	SOCKET HEAD BOLT	DIN 912 M8X60-10.9
3	72315063	1	SPLIT WASHER	FWN65237-8-A3L
4	72333471	1	SCREENING PLATE	
5	72431557	2	DISC	
8	72323663	1	DOUBLE CONICAL RING	
9	72323662	1	UNION SCREW	
10	72324435	1	SUCTION PIPE	
11	72315626	2	HEXAGONAL HEAD BOLT	DIN 933-M6 X 16-8.8-A3L
12	72375425	2	TOOTHLOCK WASHER	DIN 6797 J6,4
13	72313266	2	NUT	DIN 934 M6-8A3L
14	72315645	2	HEXAGONAL HEAD BOLT	DIN 933 M8 X 12-8.8A3L
15	72311788	2	DISC	DIN 125-8,4-ST.A3L
16	72324183	2	PIPE CLAMP	
20	72324228	1	BOOST PIPE	
21	72323644	2	O-RING	
22	72324088	1	CLIP PIN	



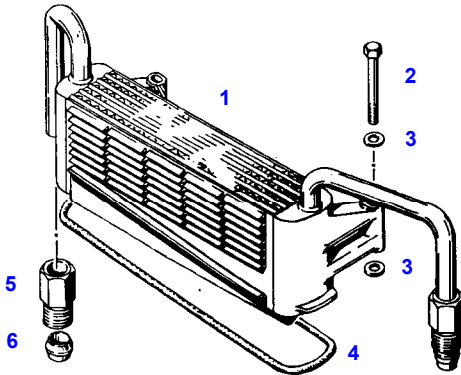
FARMER 275S (297/00001-07000)  
5472



5472

<b>Item</b>	<b>Part Number</b>	<b>Qty</b>	<b>Description Comments</b>	<b>Technical Specification</b>
			<b>ENGINE NUMBER</b> <b>&lt;-- 7527 199 --&gt; 7608 944</b>	
1	72324225	1	LUBRICATION OIL COOLER	
2	72315539	3	HEXAGONAL HEAD BOLT	DIN 931 M8X80-8.8 A3L
3	72323686	5	DISC	
4	72323920	1	SEALING WASHER	
5	72344380	2	CONNECTING NUT	
6	72323699	2	DOUBLE CONICAL RING	

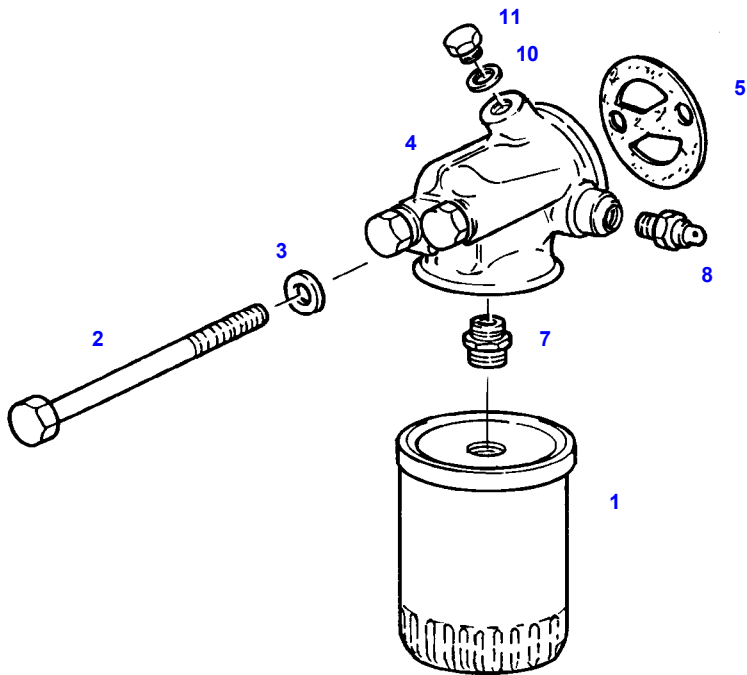
FARMER 275S (297/00001-07000)  
5466



9975

Item	Part Number	Qty	Description Comments	Technical Specification
			<b>ENGINE NUMBER</b> --> 7527 198 <-- 7608 945	
1	72617541	1	LUBRICATION OIL COOLER	
2	72315539	2	HEXAGONAL HEAD BOLT	DIN 931 M8X80-8.8 A3L
3	72323686	4	DISC	
4	72323737	1	SEALING WASHER	
5	72344380	2	CONNECTING NUT	
6	72323699	2	DOUBLE CONICAL RING	

FARMER 275S (297/00001-07000)  
7357



7357

Thank you so much for reading.  
Please click the “Buy Now!”  
button below to download the  
complete manual.



After you pay.

You can download the most  
perfect and complete manual in  
the world immediately.

Our support email:

[ebooklibonline@outlook.com](mailto:ebooklibonline@outlook.com)