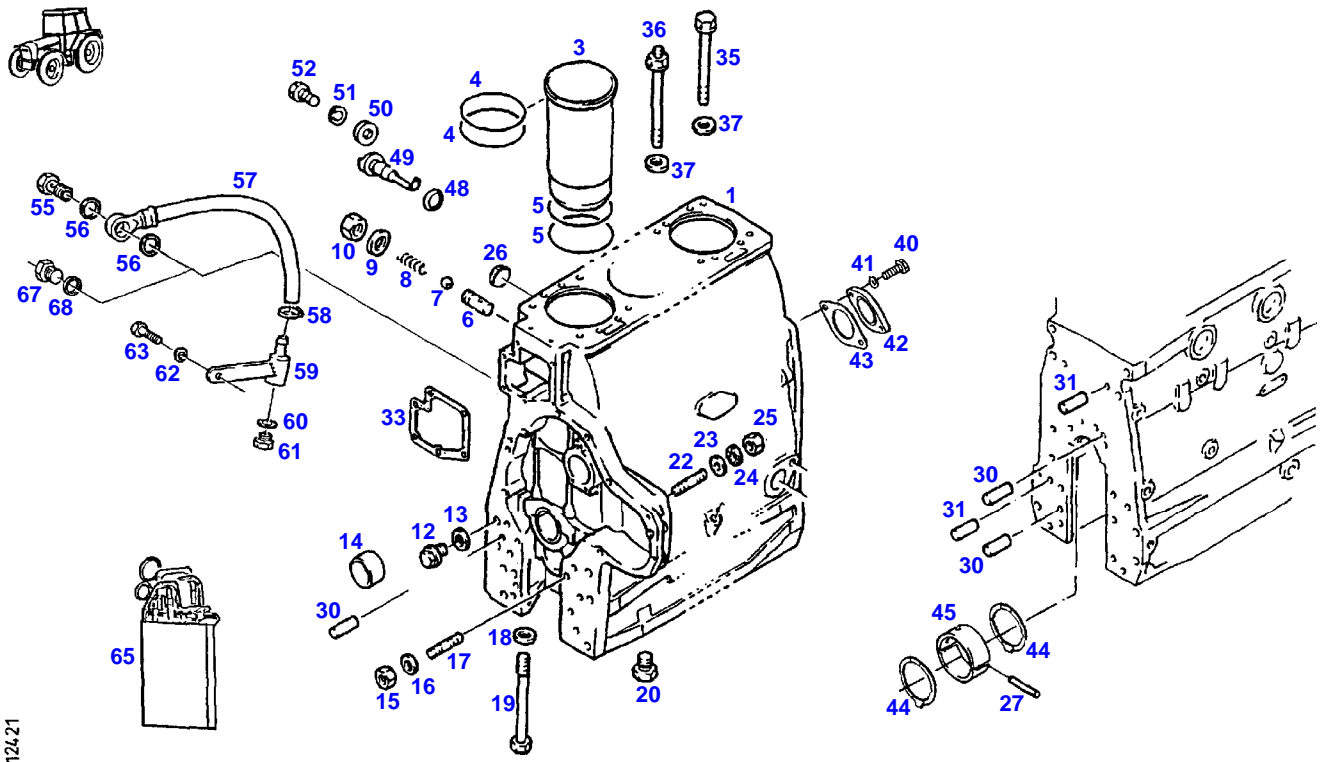


Page Number	Page Title	Page Reference
01-000-TOC	ENGINE, FUEL AND EXHAUST SYSTEM	01-000-TOC
02-000-TOC	AXLES	02-000-TOC
03-000-TOC	STEERING SYSTEM	03-000-TOC
04-000-TOC	DRIVE TRAIN SYSTEM	04-000-TOC
05-000-TOC	COMPRESSED AIR SYSTEM	05-000-TOC
06-000-TOC	HYDRAULIC SYSTEM	06-000-TOC
07-000-TOC	ELECTRICAL SYSTEM	07-000-TOC
08-000-TOC	CAB	08-000-TOC
09-000-TOC	AIR CONDITIONING AND HEATING SYSTEM	09-000-TOC
10-000-TOC	CHASSIS	10-000-TOC
11-000-TOC	WHEELS	11-000-TOC
12-000-TOC	IMPLEMENT LIFT SYSTEM FRONT	12-000-TOC
13-000-TOC	IMPLEMENT LIFT SYSTEM REAR	13-000-TOC
14-000-TOC	FRONT/REAR LOADERS	14-000-TOC
15-000-TOC	ACCESSORIES	15-000-TOC

FARMER 307 (307/00101-99999)
12421

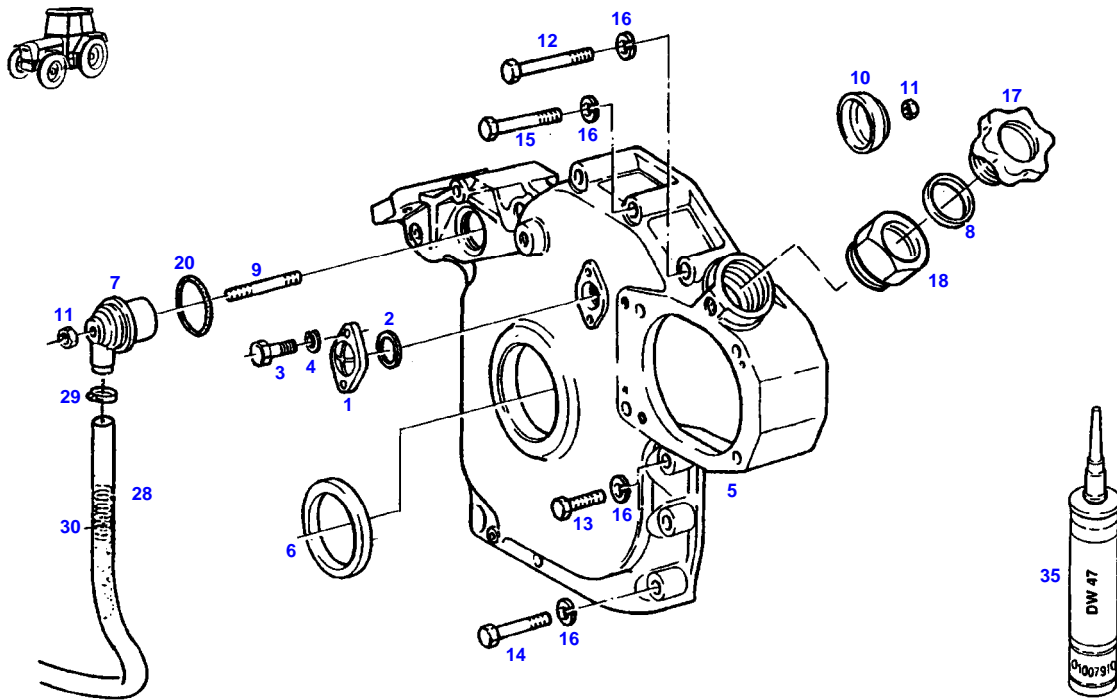


12421

Item	Part Number	Qty	Description Comments	Technical Specification
	72431094	1	DIESEL ENGINE <-- 307/0101 --> 307/0300 <-- 307/1001 --> 307/3000 <-- Z307.200.010.020 ENGINE EXCHANGE	
	72420741	1	DIESEL ENGINE <-- 307/0301 --> 307/0400 <-- 307/3001	
1	72456173	1	CRANKCASE ><3-27	
3	72425044	3	CYLINDER LINER	
	72416175	3	CYLINDER LINER OVERLAP 0,05 MM	
	72416176	3	CYLINDER LINER OVERLAP 0,1 MM	
4	72329541	6	SEAL	
	72431774	1	REPAIR KIT	
5	72343893	6	SEAL	
	72431774	1	REPAIR KIT	
6	72341074	1	SCREW PIECE	
7	72378872	1	BALL	DIN 5401-9,0MM
8	72341075	1	COMPRESSION SPRING	
9	72315097	1	SEALING WASHER	DIN 7603 A16X20-CU
10	72341076	1	CAP NUT	
12	72315436	1	SCREW	DIN 908 M10X1-ST A3L
13	72315088	1	SEALING WASHER	DIN 7603 A10X13,5-CU
14	72329540	1	BUSH	
15	72340921	1	MIDGRIP NUT	
16	72340920	1	DISC	
17	72374623	1	STUD BOLT	DIN 939-M8X25-8.8
18	72324592	8	DISC	
19	72327081	8	HEXAGONAL HEAD BOLT	
20	72337035	1	HEXAGONAL HEAD BOLT	
22	72313772	3	STUD BOLT	DIN 939 M8X30-8.8
23	72321257	3	DISC	
24	72315053	3	SPLIT WASHER	FWN 65208-8-A3L
25	72313268	3	NUT	DIN 934 M8-8A3L
26	72377226	2	COVER	DIN 443-50
27	72375130	4	TENSIONING PIN	ISO8752-4X8-A-ST-ZNPH
30	72313859	4	CYLINDER PIN	DIN 7-8M6X18-ST50K
31	72375324	2	CYLINDER PIN	DIN 7-10M6X28-ST50K
33	72327043	1	MOLDED SEAL	
35	72333013	10	SOCKET HEAD BOLT	
36	72333014	2	HEXAGONAL HEAD BOLT	
37	72324592	12	DISC	
40	72315650	2	HEXAGONAL HEAD BOLT	DIN 933 M8 X 20-8.8A3L
41	72315053	2	SPLIT WASHER	FWN 65208-8-A3L
42	72343896	1	COVER	
43	72333001	1	SEAL	
44	72343910	2	THRUST RING 70,00 MM	
	72343911	2	THRUST RING 69,79 MM	
	72343912	2	THRUST RING 69,54 MM	
	72343913	2	THRUST RING 69,04 MM	
45	72341078	4	MAIN BEARING 70,00 MM	
	72341079	4	MAIN BEARING 69,79 MM	
	72341080	4	MAIN BEARING 69,54 MM	

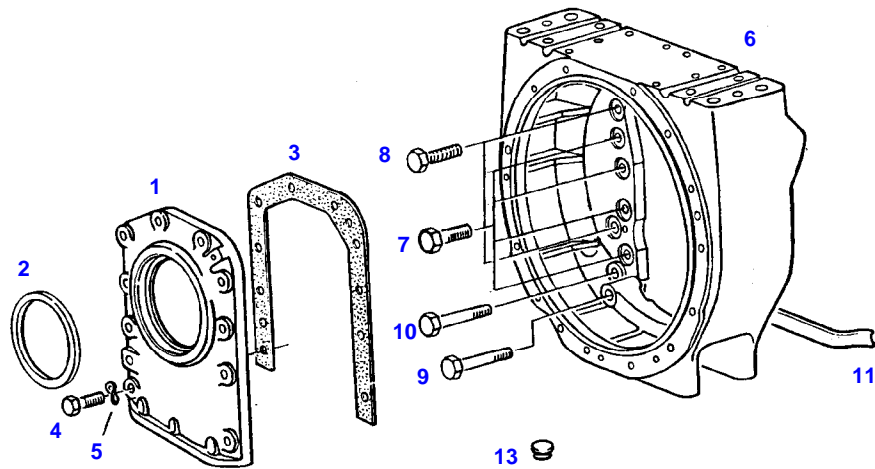
Item	Part Number	Qty	Description Comments	Technical Specification
	72341081	4	MAIN BEARING 69,29 MM	
	72341082	4	MAIN BEARING 69,04 MM	
48	72376423	3	O-RING	14X3-NBR 70 FWN56402
49	72334018	3	NOZZLE	
50	72334019	3	DISC	
51	72315053	3	SPLIT WASHER	FWN 65208-8-A3L
52	72315642	3	HEXAGONAL HEAD BOLT	DIN 933 M8 X 16-8.8A3L
55	72315808	1	BANJO BOLT --> 307/1285	DIN 7643-10-3-A3L
56	72315094	2	SEALING WASHER --> 307/1285	DIN 7603 A14X18-CU
57	72313976	1	COOLING WATER DRAIN LINE --> 307/1285	
58	72438345	1	HOSE CLIP --> 307/1285	
59	72355704	1	HOSE RETAINER --> 307/1285	
60	72315088	1	SEALING WASHER --> 307/1285	DIN 7603 A10X13,5-CU
61	72315436	1	SCREW --> 307/1285	DIN 908 M10X1-ST A3L
62	72315053	1	SPLIT WASHER --> 307/1285	FWN 65208-8-A3L
63	72315642	1	HEXAGONAL HEAD BOLT --> 307/1285	DIN 933 M8 X 16-8.8A3L
65	72376239	1	SEAL KIT TD 226 B-3	TD226B-3
67	72315799	1	PLUG <-- 307/1286	DIN 7604 AM14X1,5-A3L
68	72315094	1	SEALING WASHER <-- 307/1286	DIN 7603 A14X18-CU

FARMER 307 (307/00101-99999)
8328



8328

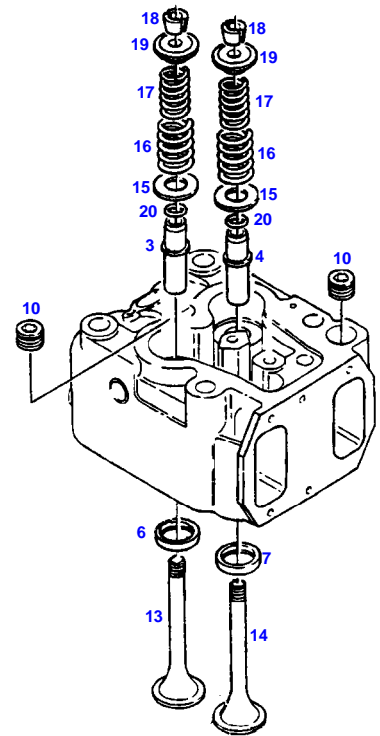
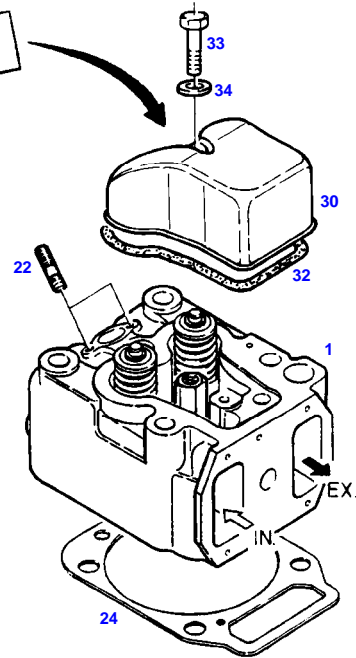
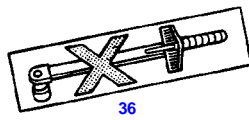
Item	Part Number	Qty	Description Comments	Technical Specification
1	72343896	1	COVER	
2	72376544	1	O-RING	42,2X3-NBR 70 FWN56402
3	72315650	2	HEXAGONAL HEAD BOLT	DIN 933 M8 X 20-8.8A3L
4	72317121	2	SPRING WASHER	DIN 137 B8-MECH.VZK
5	72342971	1	CRANKCASE END COVER	
6	72332982	1	RADIAL SEALING RING	
7	72326907	1	HOUSING	
8	72376514	1	O-RING	32X4-NBR 70 FWN56402
9	72326906	1	THREADED PIN	
10	72326904	1	COVER PANEL	
11	72372804	2	NUT	DIN 934 M6-10
12	72315535	1	HEXAGONAL HEAD BOLT	DIN 931 M8X75 GWA-10.9
13	72315660	1	HEXAGONAL HEAD BOLT	DIN 933 M8X35-8.8A3L
14	72374372	7	HEXAGONAL HEAD BOLT	DIN 931 M8X45S-8.8
15	72315534	5	HEXAGONAL HEAD BOLT	DIN 931 M8 X 70-8.8
16	72315053	13	SPLIT WASHER	FWN 65208-8-A3L
17	72321607	1	PLUG	
18	72342977	1	EXTENSION TUBE	
20	72376538	1	O-RING	40X4
28	72436284	1	HOSE 1X 830MM CUT TO LENGTH	L=1120 FWN65912-19X3-PVC-W-G
29	72311166	1	HOSE CLIP	
30	72407980	1	COMPRESSION SPRING	
35	72311273	1	SEALING COMPOUND	TEROST-63S



8777

Item	Part Number	Qty	Description Comments	Technical Specification
1	72330754	1	CRANKCASE END COVER ><2	
2	72376834	1	SHAFT SEAL	110X130X14,5
3	72330755	1	MOLDED SEAL	
4	72315759	10	HEXAGONAL HEAD BOLT	DIN 933 M8X25 SK-8.8
5	72317121	10	SPRING WASHER	DIN 137 B8-MECH.VZK
6	72393003	1	HOUSING --> 307/1235	
	72407199	1	HOUSING <-- 307/1236	
7	72315686	10	HEXAGONAL HEAD BOLT	DIN 933-M10X35-12.9
8	72374469	3	HEXAGONAL HEAD BOLT	DIN 933-M12X45-12.9
9	72374189	2	HEXAGONAL HEAD BOLT	DIN 931 M10X85-12.9
10	72374220	3	HEXAGONAL HEAD BOLT	DIN 931-M12X80-12.9
11	72325584	1	RUBBER STRIP	
13	72314756	1	LOCKING PLUG F21	F21
	72375075	1	LOCKING PLUG F3	F3
	72314748	4	LOCKING PLUG F11	SW-F11
	72375092	4	LOCKING PLUG F12	V14
	72314763	4	LOCKING PLUG F211	F211
	72375100	1	SCREW PLUG M18	M18
	72317290	1	TAPERED PLUG B47	

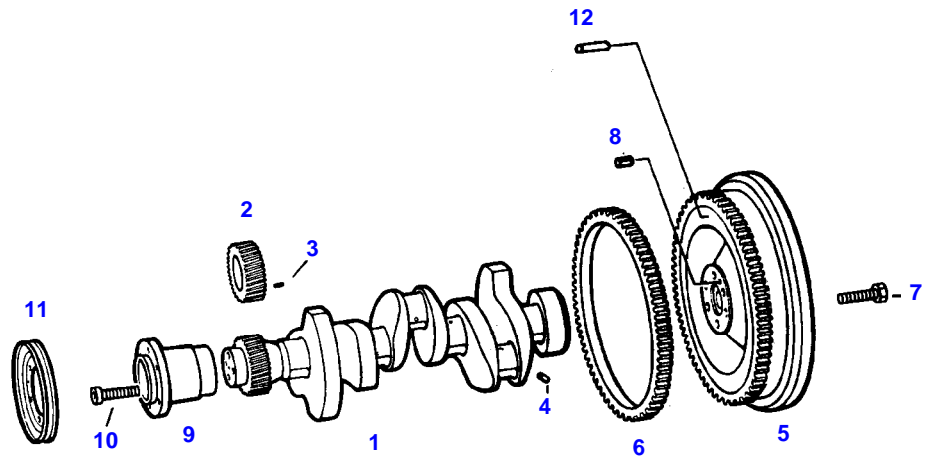
FARMER 307 (307/00101-99999)
10018



10018

Item	Part Number	Qty	Description Comments	Technical Specification
1	72342974	3	CYLINDER HEAD ><3-20	
3	72343644	3	VALVE GUIDE INTAKE	
4	72343645	3	VALVE GUIDE OUTLET	
6	72343650	3	VALVE SEAT RING INTAKE	
7	72343902	3	VALVE SEAT RING OUTLET	
10	72373948	6	PLUG SCREW	DIN 906 M22X1,5-ST
13	72343651	3	POPPET	
14	72343905	3	POPPET	
15	72340915	6	DISC	
16	72340913	6	VALVE SPRING	
17	72340914	6	VALVE SPRING	
18	72327092	12	TAPER PIECE HALF	
19	72327093	6	SPRING RETAINER	
20	72343647	6	SEAL	
22	72374627	6	STUD BOLT	DIN 939 M8X40-8.8
24	72343992	3	CYLINDER HEAD GASKET	
	72431774	1	REPAIR KIT	
30	72343906	3	CYLINDER HEAD COVER	
32	72343908	3	MOLDED SEAL	
33	72315659	3	HEXAGONAL HEAD BOLT	DIN 933 M8X35-8.8
34	72315087	3	SEALING WASHER	DIN 7603 A8X14-CU
36	72342973	3	LABEL	

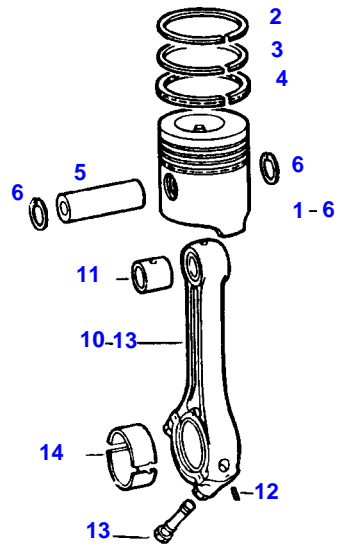
FARMER 307 (307/00101-99999)
5405



5405

Item	Part Number	Qty	Description Comments	Technical Specification
1	72342882	1	CRANKSHAFT ><2-4	
2	72341105	1	SPUR GEAR	
3	72313801	1	TENSIONING PIN	ISO8752-4X14-A-ST
4	72337059	3	PLUG	
5	72332461	1	FLYWHEEL ><6	
6	72330772	1	RING GEAR	
7	72315739	6	HEXAGONAL HEAD BOLT	DIN 933 M16X60 GWA-10.9
8	72375149	1	TENSIONING PIN	ISO8752-6X10-A-ST
9	72329741	1	HUB	
10	72374113	4	SOCKET HEAD BOLT	DIN 912 M16X50-10.9
11			SEE V-BELT	
12	72329545	1	PIN	

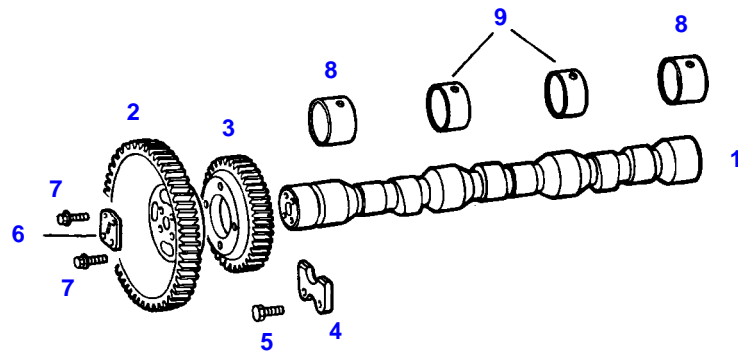
FARMER 307 (307/00101-99999)
3119



3119

Item	Part Number	Qty	Description Comments	Technical Specification
1	72333026	3	PISTON ><2-6	
2	72333027	3	PISTON RING KIT ><2-4	
3			NOT AVAILABLE IN SINGLE PARTS	
4			NOT AVAILABLE IN SINGLE PARTS	
5			NOT AVAILABLE IN SINGLE PARTS	
6	72332584	6	LOCKWASHER	
10	72343926	3	PISTON ROD ><11-13	
11	72341118	3	SMALL-END BUSH	
12	72313802	3	TENSIONING PIN	ISO8752-4X16-A-ST-ZNPHR10F-KOE
13	72327143	6	CONNECTING ROD BOLT	
14	72341119	3	CONNECTING ROD BEARING 63,00 MM	
	72341120	3	CONNECTING ROD BEARING 62,75 MM	
	72341121	3	CONNECTING ROD BEARING 62,50 MM	
	72341122	3	CONNECTING ROD BEARING 62,25 MM	
	72341123	3	CONNECTING ROD BEARING 62,00 MM	

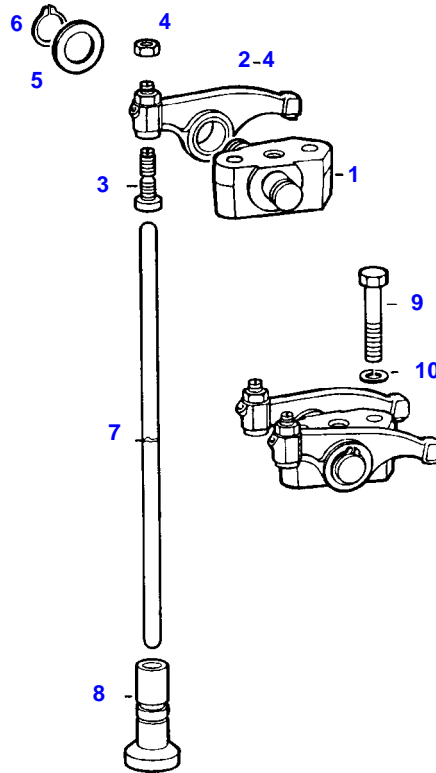
FARMER 307 (307/00101-99999)
5404



5404

Item	Part Number	Qty	Description Comments	Technical Specification
1	72416156	1	CAMSHAFT	
2	72343928	1	SPUR GEAR	
3	72343929	1	SPUR GEAR	
4	72343930	1	SEGMENT	
5	72375061	2	LOCK SCREW	W151.12 M8X16-90
6	72331325	1	PROFILED FLANGE	
7	72375063	8	LOCK SCREW	FWN 64993 M8X22-12.9
8	72332989	2	BUSH REPAIR STEP	
9	72332990	2	BUSH REPAIR STEP	

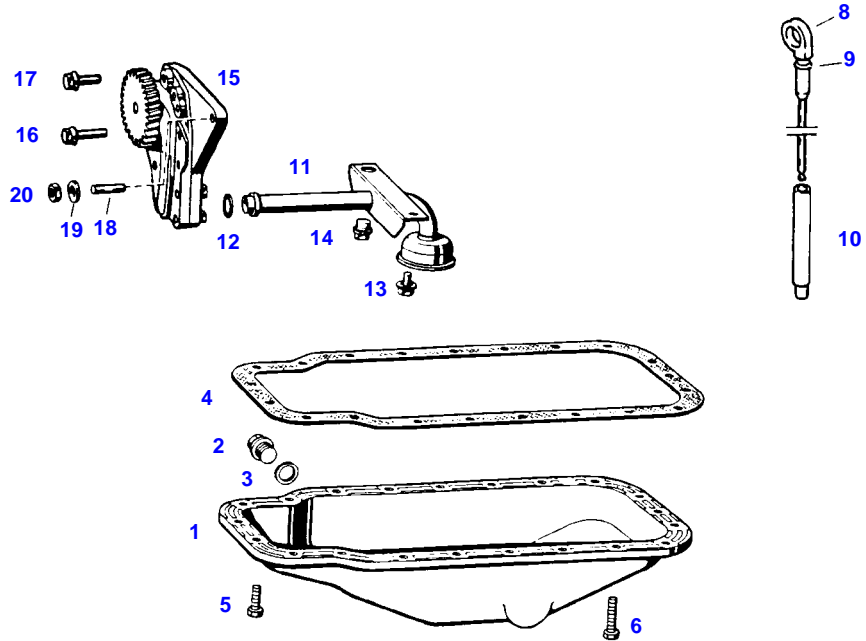
FARMER 307 (307/00101-99999)
3121



3121

Item	Part Number	Qty	Description Comments	Technical Specification
1	72343933	3	ROCKER ARM SUPPORT	
2	72343934	6	ROCKER ARM	
3	72343935	6	ADJUSTING SCREW	
4	72343936	6	NUT	
5	72321237	12	DISC	
6	72375559	6	LOCK WASHER	DIN 471-16X1
7	72330785	6	BUMPER	
8	72343937	6	MUSHROOM TAPPET	
	72423816	6	MUSHROOM TAPPET OVERSIZE 19,5 MM	
9	72315691	6	HEXAGONAL HEAD BOLT	DIN 933 M10X40-8.8A3L
10			NOT USED	

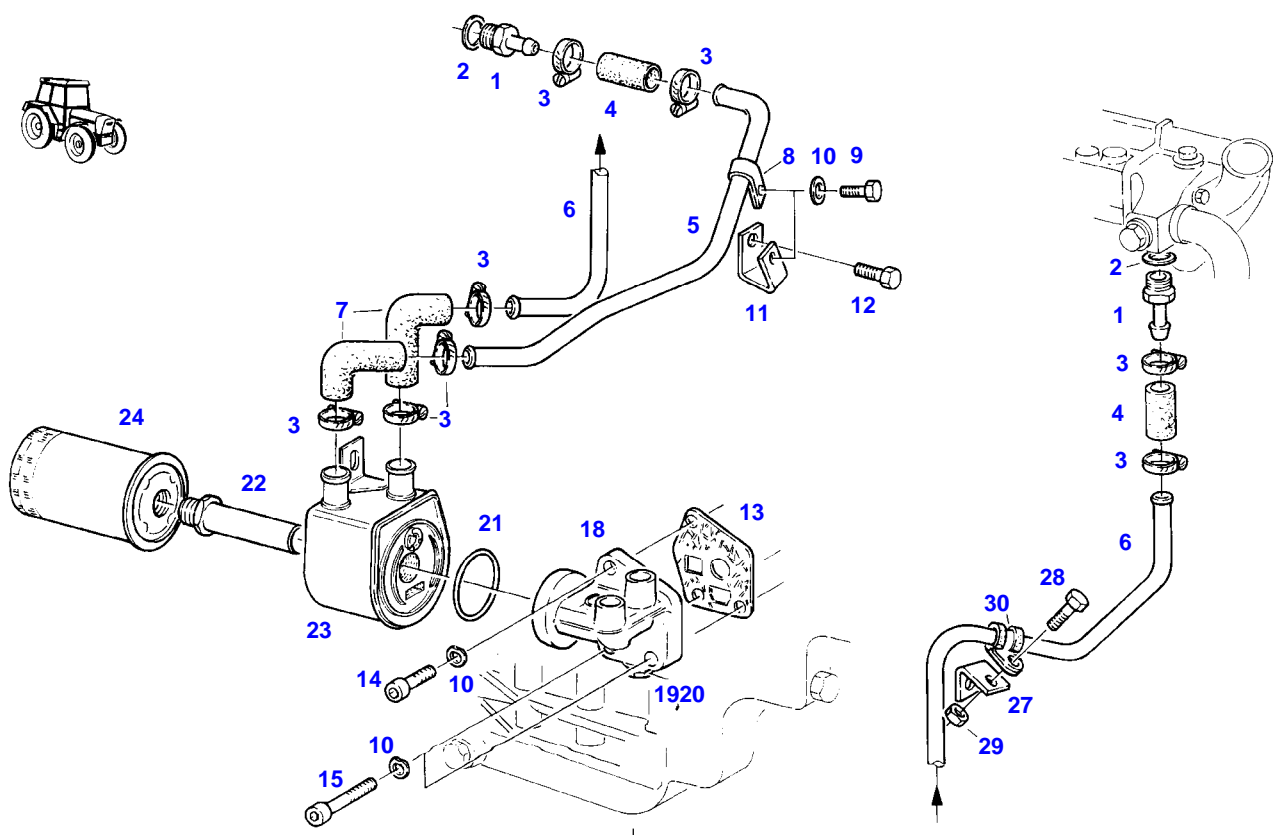
FARMER 307 (307/00101-99999)
7733



7733

Item	Part Number	Qty	Description Comments	Technical Specification
1	72326134	1	OIL PAN ><2+3	
2	72373986	1	SCREW	
3	72332580	1	SEALING WASHER	
4	72327044	1	MOLDED SEAL	
5	72604456	7	HEXAGONAL HEAD BOLT <>	DIN 933 M8X18 8.8
	72321257	1	DISC	
6	72315654	17	HEXAGONAL HEAD BOLT	DIN 933 M8X28-8.8A3L
8	72342877	1	DIPSTICK ><9	
9	72376384	1	O-RING	7,3X2,4
10	72329118	1	PIPE	
11	72326144	1	SUCTION LINE	
12	72376462	1	O-RING	20X4-FPM 70 FWN56402
13	72375061	1	LOCK SCREW	W151.12 M8X16-90
14	72373972	1	PLUG	DIN 910 M16X1,5-ST
15	72330776	1	OIL GEAR PUMP	
16	72375067	1	LOCK SCREW	FWN 64993 M8X35-90
17	72375063	1	LOCK SCREW	FWN 64993 M8X22-12.9
18	72374623	1	STUD BOLT	DIN 939-M8X25-8.8
19	72340920	1	DISC	
20	72340921	1	MIDGRIP NUT	

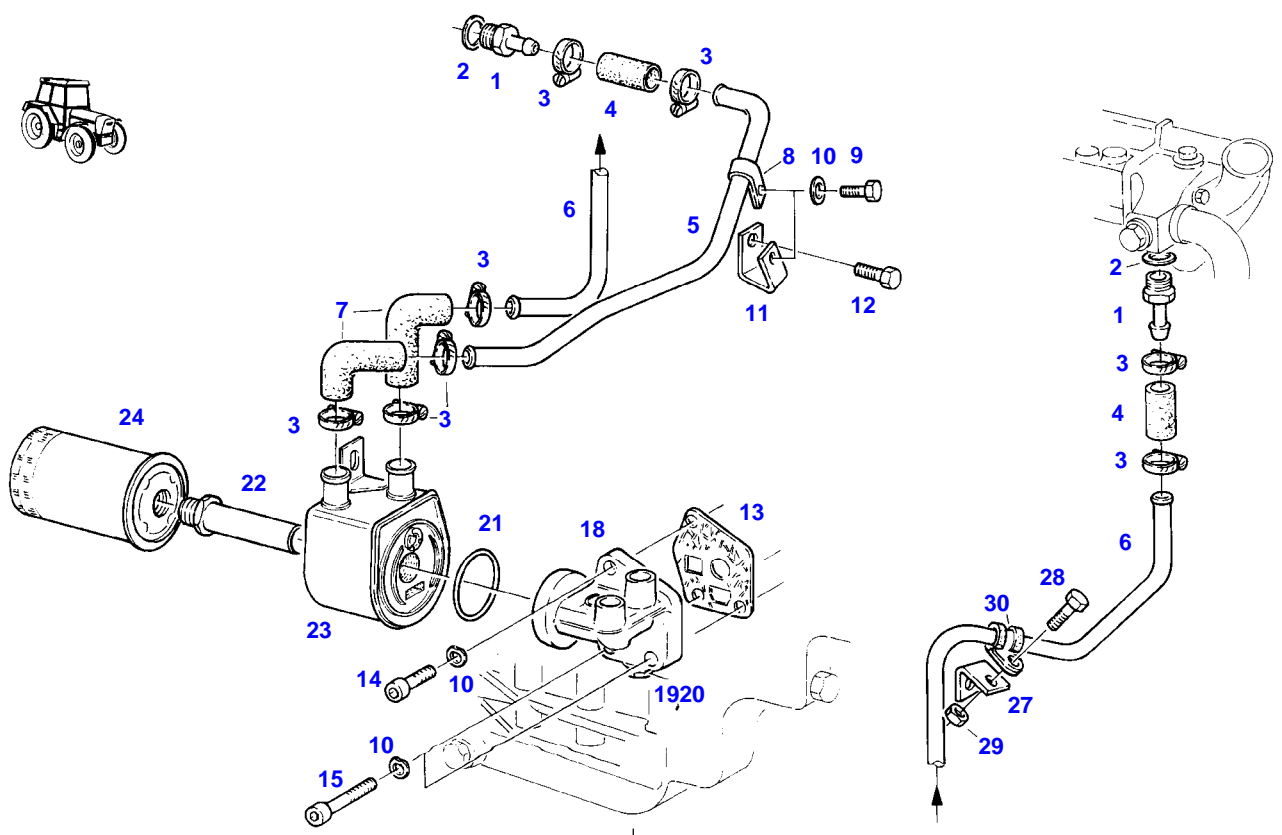
FARMER 307 (307/00101-99999)
7705



7705

Item	Part Number	Qty	Description Comments	Technical Specification
			<-- 307/0101 --> 307/0300 <-- 307/1001 --> 307/3044	
1	72396595	2	HOSE BARB	
2	72315101	2	SEALING WASHER	DIN 7603 A22X27-CU
3	72311167	8	HOSE CLIP	
4	72396335	2	HOSE PIECE	
5	72397336	1	COOLANT LINE	
6	72397337	1	COOLANT LINE	
7	72435869	2	RUBBER ARCH	
8	72386726	1	PIPE CLAMP	
9	72315675	1	HEXAGONAL HEAD BOLT	DIN 933 M10X16-8.8A3L
10	72317122	4	SPRING WASHER	DIN 137 B10-MECH.VZK
11	72397289	1	RETAINER	
12	72315704	1	HEXAGONAL HEAD BOLT	DIN 933 M12X16-8.8A3L
13	72327148	1	MOLDED SEAL	
14	72315494	1	SOCKET HEAD BOLT	DIN 912 M10X30-8.8
15	72315498	2	SOCKET HEAD BOLT	DIN 912 M10X40-8.8 OB1-SW
18	72325601	1	FILTER HEAD ><19+20 <-- G510.201.900.100	
19	72325606	1	VALVE	
20	72376031	1	SEALING WASHER	DIN 7603 A20X24-CU
21	72396334	1	O-RING	
22	72395901	1	SCREW PIECE	
23	72348781	1	OIL COOLER <>	
	72327148	1	MOLDED SEAL	
	72315797	1	PLUG SCREW	DIN 7604 AM10X1-ST A3L
	72315088	1	SEALING WASHER	DIN 7603 A10X13,5-CU
24	72327235	1	OIL FILTER	
27	72397338	1	ANGLE	
28	72315626	1	HEXAGONAL HEAD BOLT	DIN 933-M6 X 16-8.8-A3L
29	72313266	1	NUT	DIN 934 M6-8A3L
30	72311247	1	PIPE CLAMP	

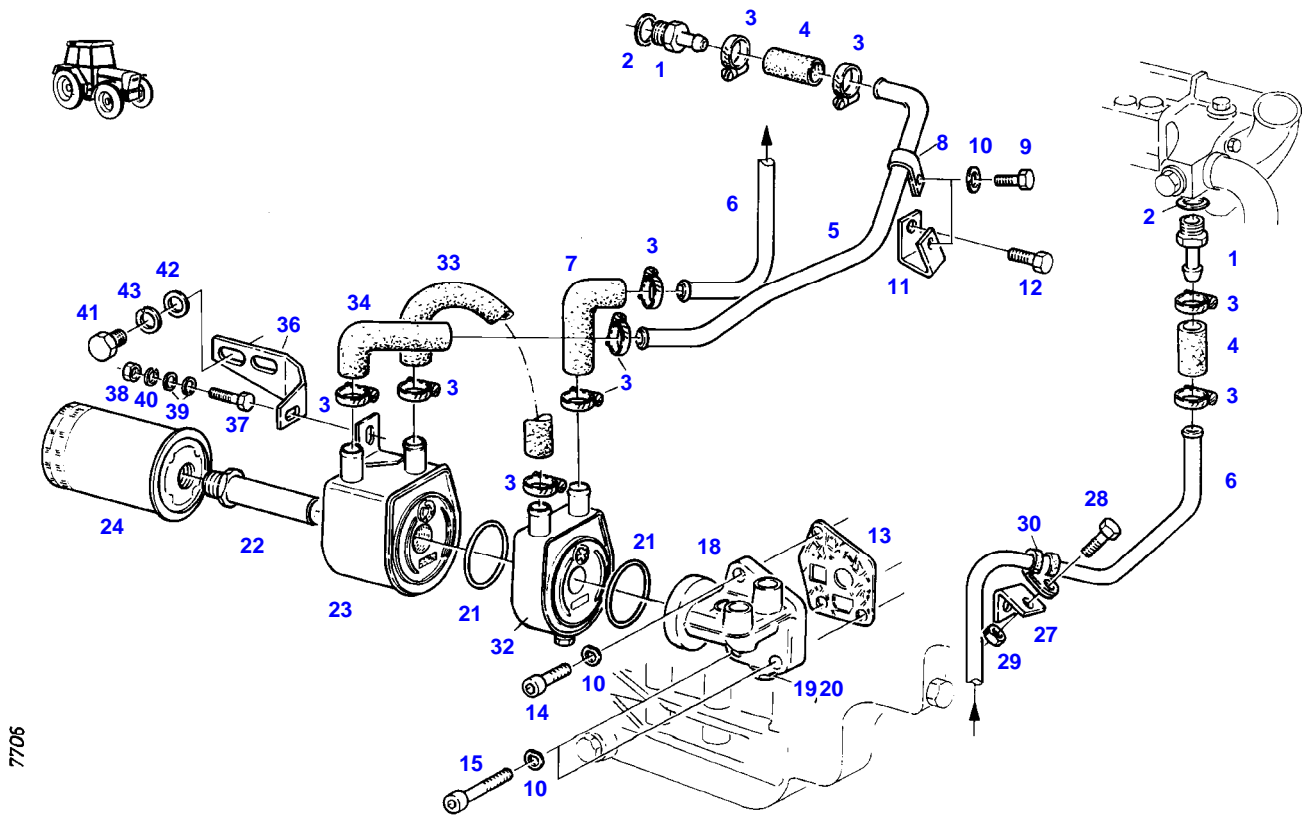
FARMER 307 (307/00101-99999)
7705



7705

Item	Part Number	Qty	Description Comments	Technical Specification
			<-- 307/0301 --> 307/0400 <-- 307/3045	
1	72396595	2	HOSE BARB	
2	72315101	2	SEALING WASHER	DIN 7603 A22X27-CU
3	72311167	8	HOSE CLIP	
4	72396335	2	HOSE PIECE	
5	72397336	1	COOLANT LINE	
6	72397337	1	COOLANT LINE	
7	72435869	2	RUBBER ARCH	
8	72386726	1	PIPE CLAMP	
9	72315675	1	HEXAGONAL HEAD BOLT	DIN 933 M10X16-8.8A3L
10	72317122	4	SPRING WASHER	DIN 137 B10-MECH.VZK
11	72397289	1	RETAINER	
12	72315704	1	HEXAGONAL HEAD BOLT	DIN 933 M12X16-8.8A3L
13	72327148	1	MOLDED SEAL	
14	72315494	1	SOCKET HEAD BOLT	DIN 912 M10X30-8.8
15	72315498	2	SOCKET HEAD BOLT	DIN 912 M10X40-8.8 OB1-SW
18	72325601	1	FILTER HEAD ><19+20 <-- G510.201.900.100	
19	72325606	1	VALVE	
20	72376031	1	SEALING WASHER	DIN 7603 A20X24-CU
21	72410911	1	SEALING RING	
22	72407171	1	SCREW PIECE	
23	72350652	1	OIL COOLER	
	72315797	1	PLUG SCREW	DIN 7604 AM10X1-ST A3L
	72315088	1	SEALING WASHER	DIN 7603 A10X13,5-CU
24	72334900	1	OIL FILTER	
27	72397338	1	ANGLE	
28	72315626	1	HEXAGONAL HEAD BOLT	DIN 933-M6 X 16-8.8-A3L
29	72313266	1	NUT	DIN 934 M6-8A3L
30	72311247	1	PIPE CLAMP	

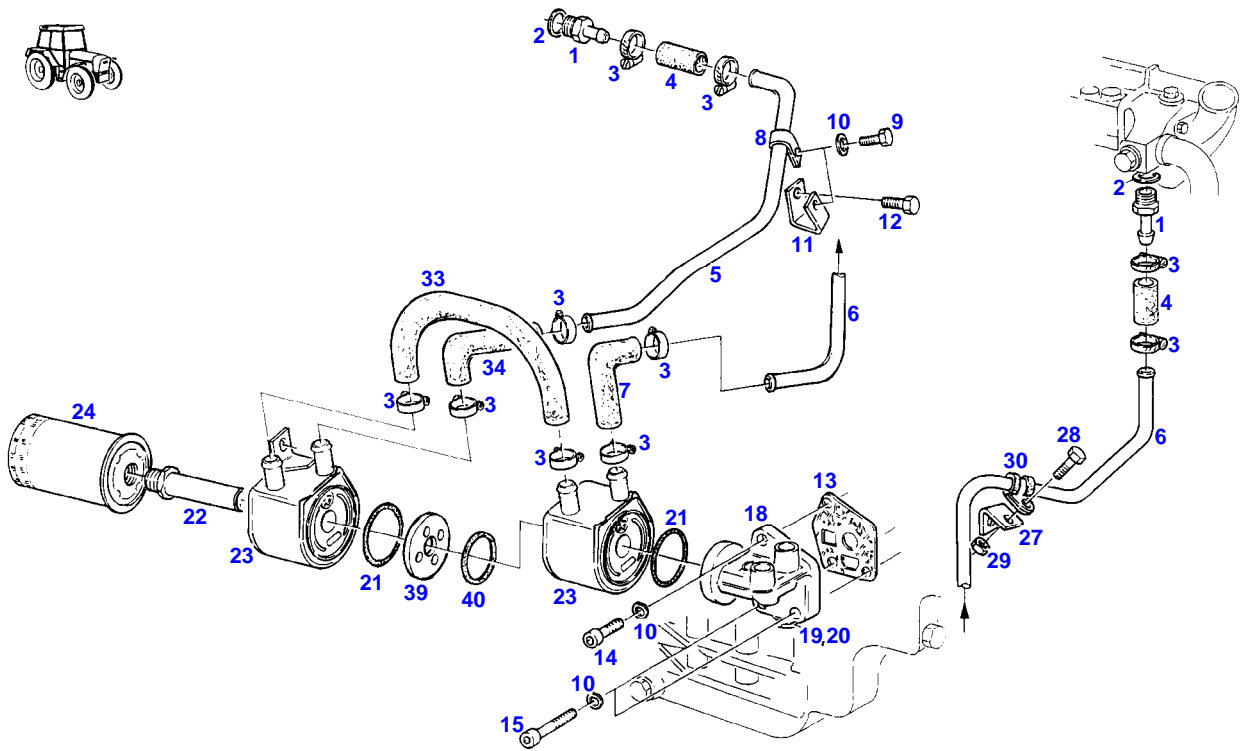
FARMER 307 (307/00101-99999)
7706



7706

Item	Part Number	Qty	Description Comments	Technical Specification
			AIR CONDITION <-- 307/0101 --> 307/0300 <-- 307/1001 --> 307/3044	
1	72396595	2	HOSE BARB	
2	72315101	2	SEALING WASHER	DIN 7603 A22X27-CU
3	72311167	10	HOSE CLIP	
4	72396335	2	HOSE PIECE	
5	72397336	1	COOLANT LINE	
6	72397337	1	COOLANT LINE	
7	72435869	1	RUBBER ARCH	
8	72386726	1	PIPE CLAMP	
9	72315675	1	HEXAGONAL HEAD BOLT	DIN 933 M10X16-8.8A3L
10	72317122	4	SPRING WASHER	DIN 137 B10-MECH.VZK
11	72397289	1	RETAINER	
12	72315704	1	HEXAGONAL HEAD BOLT	DIN 933 M12X16-8.8A3L
13	72327148	1	MOLDED SEAL	
14	72315494	1	SOCKET HEAD BOLT	DIN 912 M10X30-8.8
15	72315498	2	SOCKET HEAD BOLT	DIN 912 M10X40-8.8 OB1-SW
18	72325601	1	FILTER HEAD ><19+20 <-- G510.201.900.100	
19	72325606	1	VALVE	
20	72376031	1	SEALING WASHER	DIN 7603 A20X24-CU
21	72396334	1	O-RING	
22	72395901	1	SCREW PIECE	
23	72348618	1	OIL COOLER SET (2 PIECE) <>	
	72327148	1	MOLDED SEAL	
24	72327235	1	OIL FILTER	
27	72397338	1	ANGLE	
28	72315626	1	HEXAGONAL HEAD BOLT	DIN 933-M6 X 16-8.8-A3L
29	72313266	1	NUT	DIN 934 M6-8A3L
30	72311247	1	PIPE CLAMP	
32			FOR REPLACEMENT USE POS. 23	
33	72395937	1	HOSE ARCH	
34	72395939	1	HOSE ARCH	
36	72395940	1	RETAINER	
37	72315642	1	HEXAGONAL HEAD BOLT	DIN 933 M8 X 16-8.8A3L
38	72313268	1	NUT	DIN 934 M8-8A3L
39	72311788	2	DISC	DIN 125-8,4-ST.A3L
40	72317121	1	SPRING WASHER	DIN 137 B8-MECH.VZK
41	72315721	1	HEXAGONAL HEAD BOLT	DIN 933 M14X25-8.8A3L
42	72311805	1	DISC	DIN 433-15-ST.A3L
43	72375406	1	SPRING WASHER	DIN 137 B14-MECH.VZK GE.CR

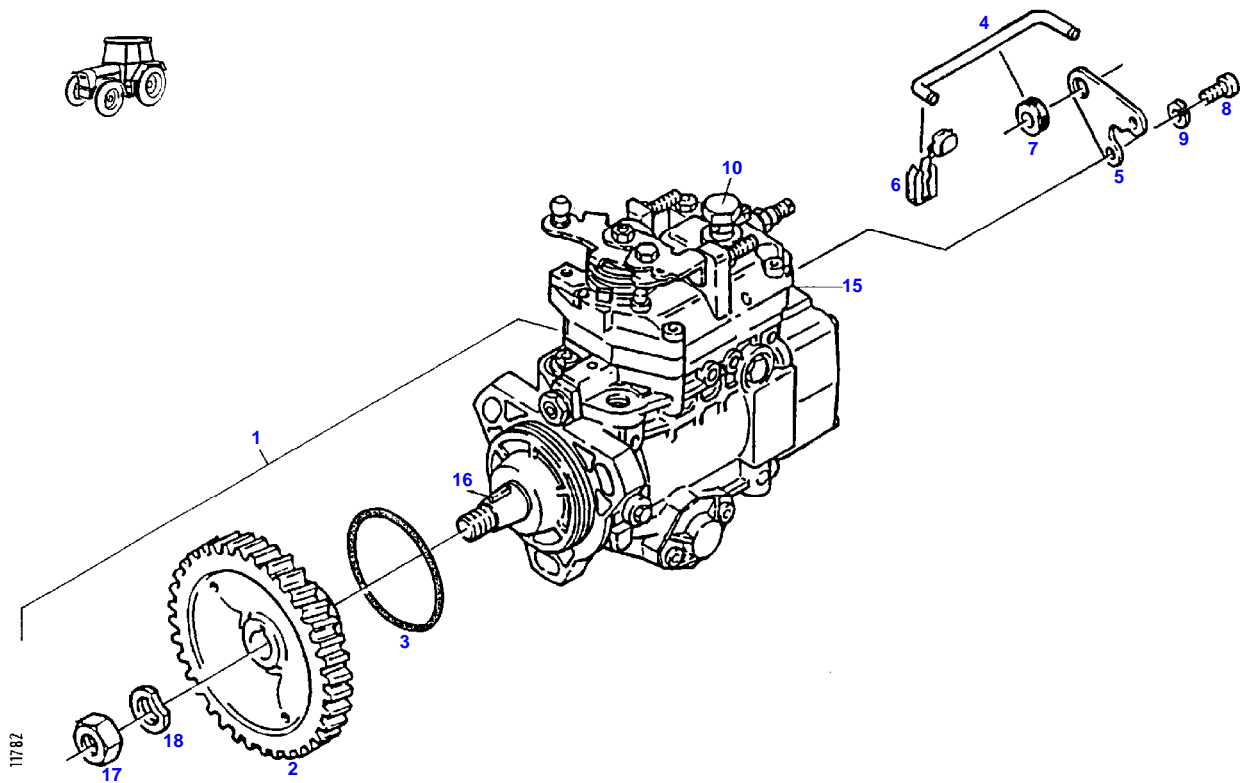
FARMER 307 (307/00101-99999)
10940



10940

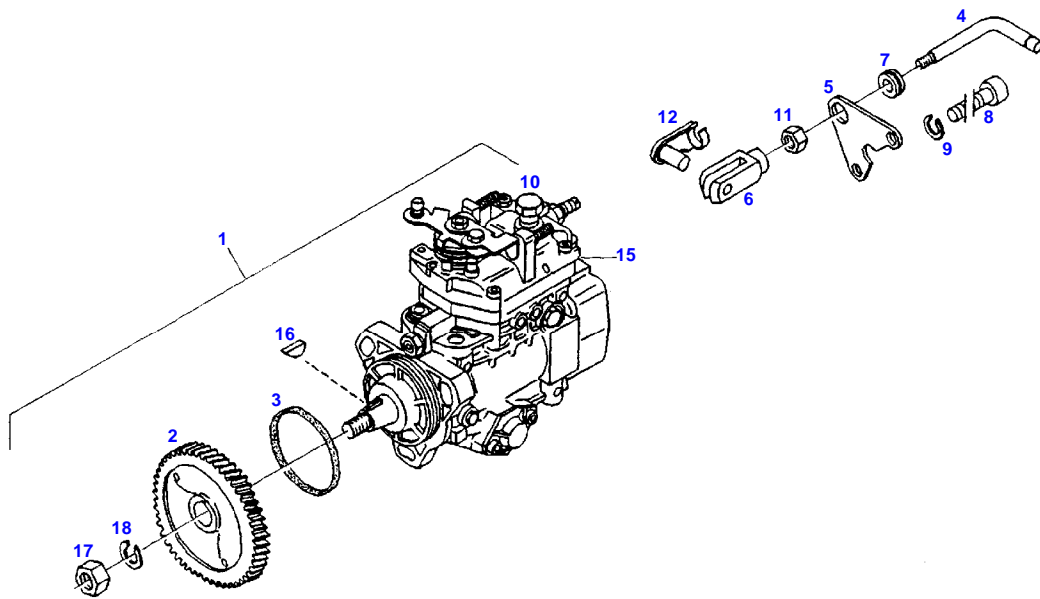
Item	Part Number	Qty	Description Comments	Technical Specification
			AIR CONDITION <-- 307/0301 --> 307/0400 <-- 307/3045	
1	72396595	2	HOSE BARB	
2	72315101	2	SEALING WASHER	DIN 7603 A22X27-CU
3	72311167	10	HOSE CLIP	
4	72396335	2	HOSE PIECE	
5	72397336	1	COOLANT LINE	
6	72397337	1	COOLANT LINE	
7	72435869	1	RUBBER ARCH	
8	72386726	1	PIPE CLAMP	
9	72315675	1	HEXAGONAL HEAD BOLT	DIN 933 M10X16-8.8A3L
10	72317122	4	SPRING WASHER	DIN 137 B10-MECH.VZK
11	72397289	1	RETAINER	
12	72315704	1	HEXAGONAL HEAD BOLT	DIN 933 M12X16-8.8A3L
13	72327148	1	MOLDED SEAL	
14	72315494	1	SOCKET HEAD BOLT	DIN 912 M10X30-8.8
15	72315498	2	SOCKET HEAD BOLT	DIN 912 M10X40-8.8 OB1-SW
18	72325601	1	FILTER HEAD ><18-20 <-- G510.201.900.100	
19	72325606	1	VALVE	
20	72376031	1	SEALING WASHER	DIN 7603 A20X24-CU
21	72410911	2	SEALING RING	
22	72410560	1	SCREW PIECE	
23	72350652	1	OIL COOLER	
	72315797	1	PLUG SCREW	DIN 7604 AM10X1-ST A3L
	72315088	1	SEALING WASHER	DIN 7603 A10X13,5-CU
24	72334900	1	OIL FILTER	
27	72397338	1	ANGLE	
28	72315626	1	HEXAGONAL HEAD BOLT	DIN 933-M6 X 16-8.8-A3L
29	72313266	1	NUT	DIN 934 M6-8A3L
30	72311247	1	PIPE CLAMP	
33	72395937	1	HOSE ARCH	
34	72395939	1	HOSE ARCH	
	72395940	1	RETAINER NOT ILLUSTRATED	
	72315642	1	HEXAGONAL HEAD BOLT NOT ILLUSTRATED	DIN 933 M8 X 16-8.8A3L
39	72410908	1	INTERMEDIATE PLATE	
40	72410912	1	SEAL	

FARMER 307 (307/00101-99999)
11782



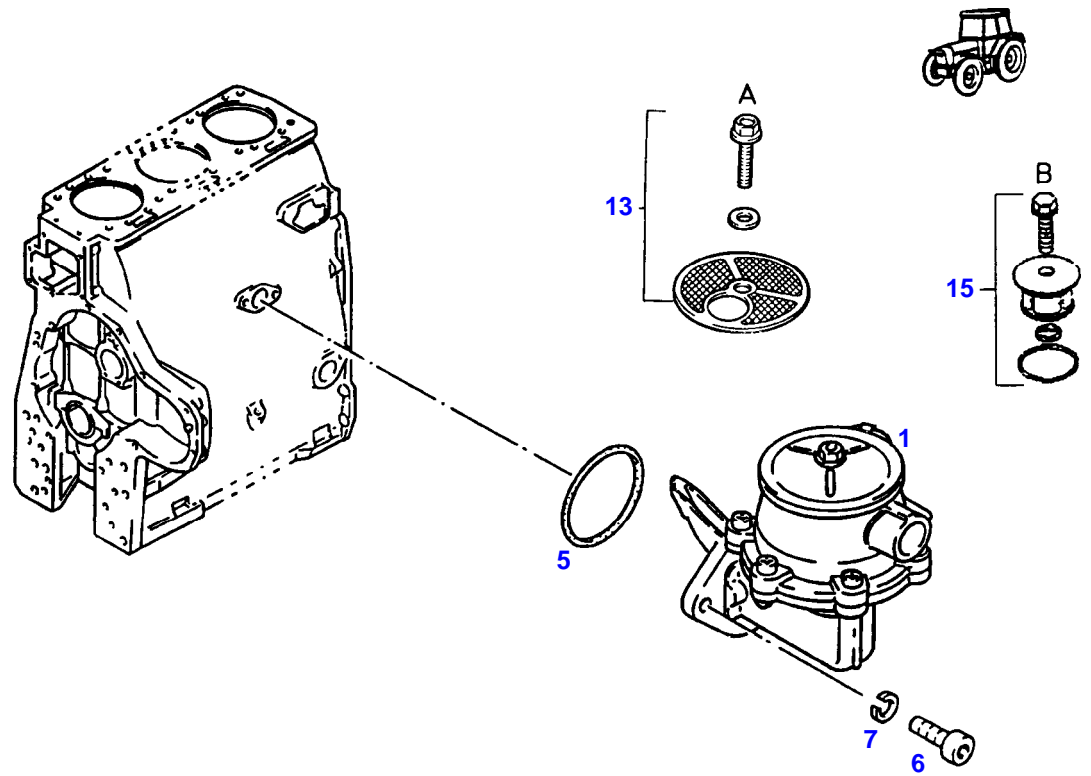
Item	Part Number	Qty	Description Comments	Technical Specification
			<-- 307/0101 --> 307/0400 <-- 307/1001 --> 307/3068	
1	72342883	1	INJECTION PUMP >>10,15-18	
2	72342991	1	SPUR GEAR	
3	72342992	1	O-RING	
4	72410862	1	ROD <>	
	72311306	1	CLEVIS	DIN 71752 G6X12-A3L
	72410863	1	RETAINING SHEET METAL	
	72310445	1	BOLT	FWN 64072 6X12 A3L
	72313266	1	NUT	DIN 934 M6-8A3L
5	72410863	1	RETAINING SHEET METAL <>	
	72311306	1	CLEVIS	DIN 71752 G6X12-A3L
	72410862	1	ROD	
	72310445	1	BOLT	FWN 64072 6X12 A3L
	72313266	1	NUT	DIN 934 M6-8A3L
6	72342995	1	LOCK SPRING	
7	72316354	1	CABLE BUSHING	9X12X16
8	72374005	1	SOCKET HEAD BOLT	DIN 912 M6X16-10.9
9	72315052	1	SPLIT WASHER	FWN 65208-6-A3L
10	72315350	1	BANJO BOLT	
15	72316840	1	SOLENOID SWITCH	
16	72416161	1	FITTING KEY	
17	72313281	1	NUT	DIN 934 M14X1,5-8A3L
18	72315056	1	SPLIT WASHER	FWN 65208-14-A3L

FARMER 307 (307/00101-99999)
12183



12183

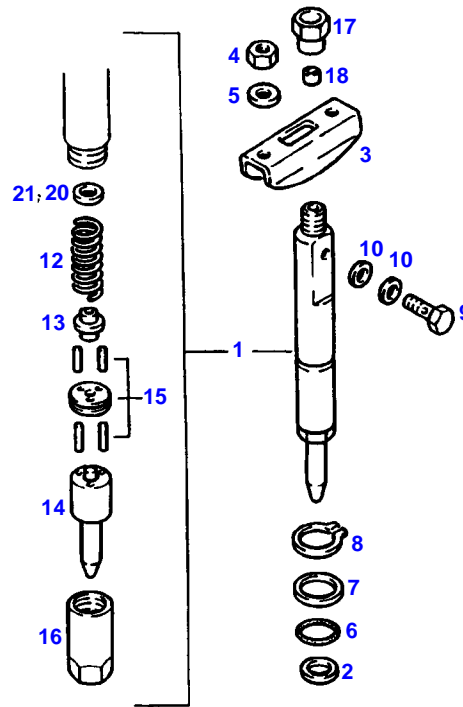
Item	Part Number	Qty	Description Comments	Technical Specification
			<-- 307/3069	
1	72342883	1	INJECTION PUMP ><10,15-18	
2	72342991	1	SPUR GEAR	
3	72342992	1	O-RING	
4	72410862	1	ROD	
5	72410863	1	RETAINING SHEET METAL	
6	72311306	1	CLEVIS	DIN 71752 G6X12-A3L
7	72316354	1	CABLE BUSHING	9X12X16
8	72374005	1	SOCKET HEAD BOLT	DIN 912 M6X16-10.9
9	72315052	1	SPLIT WASHER	FWN 65208-6-A3L
10	72315350	1	BANJO BOLT	
11	72372804	1	NUT	DIN 934 M6-10
12	72310445	1	BOLT	FWN 64072 6X12 A3L
15	72316840	1	SOLENOID SWITCH	
16	72416161	1	FITTING KEY	
17	72313281	1	NUT	DIN 934 M14X1,5-8A3L
18	72315056	1	SPLIT WASHER	FWN 65208-14-A3L



10871

Item	Part Number	Qty	Description Comments	Technical Specification
1	72342988	1	FUEL PUMP	
5	72342989	1	SEAL	
6	72374020	2	SOCKET HEAD BOLT	DIN 912 M8X20-10.9
7	72315053	2	SPLIT WASHER	FWN 65208-8-A3L
13	72324495	1	VERSION "A" REPAIR KIT IMSA	
15	72333472	1	VERSION "B" REPAIR KIT IMSA	

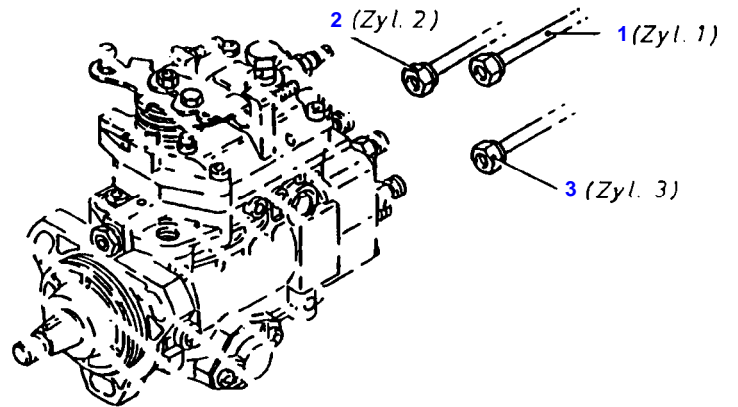
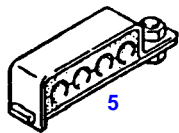
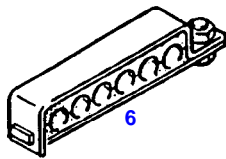
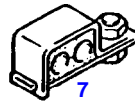
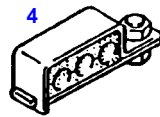
FARMER 307 (307/00101-99999)
8334



8334

Item	Part Number	Qty	Description Comments	Technical Specification
1	72342984	3	NOZZLE HOLDER ><9-13,14,15-21	
2	72343954	3	SEALING WASHER	
3	72343953	3	RETAINER BOW	
4	72313268	3	NUT	DIN 934 M8-8A3L
5	72311788	6	DISC	DIN 125-8,4-ST.A3L
6	72343955	3	SEAL	
7	72343956	3	DISC	
8	72375564	3	LOCK WASHER	DIN 471-21X1,2
9	72342985	3	SCREW	
10	72315084	6	SEALING WASHER	DIN 7603 A6X10-CU
12	72343950	3	COMPRESSION SPRING	
13	72343949	3	PRESSURE BOLT	
14	72342986	3	NOZZLE	
15	72343951	3	SHIM DISC	
16	72332998	3	CONNECTING NUT	
17	72343005	3	CONNECTING NUT	
18	72343006	3	DISC	
20	72311679	X	DISC 1,00 MM	
	72311680	X	DISC 1,10 MM	
	72311681	X	DISC 1,20 MM	
	72311682	X	DISC 1,30 MM	
	72311683	X	DISC 1,40 MM	
	72311684	X	DISC 1,50 MM	
	72311685	X	DISC 1,60 MM	
	72343964	X	DISC 1,70 MM	
	72311686	X	DISC 1,80 MM	
21	72311687	X	DISC 1,90 MM	

FARMER 307 (307/00101-99999)
8778



8778

Thank you so much for reading.
Please click the “Buy Now!”
button below to download the
complete manual.



After you pay.

You can download the most
perfect and complete manual in
the world immediately.

Our support email:

ebooklibonline@outlook.com