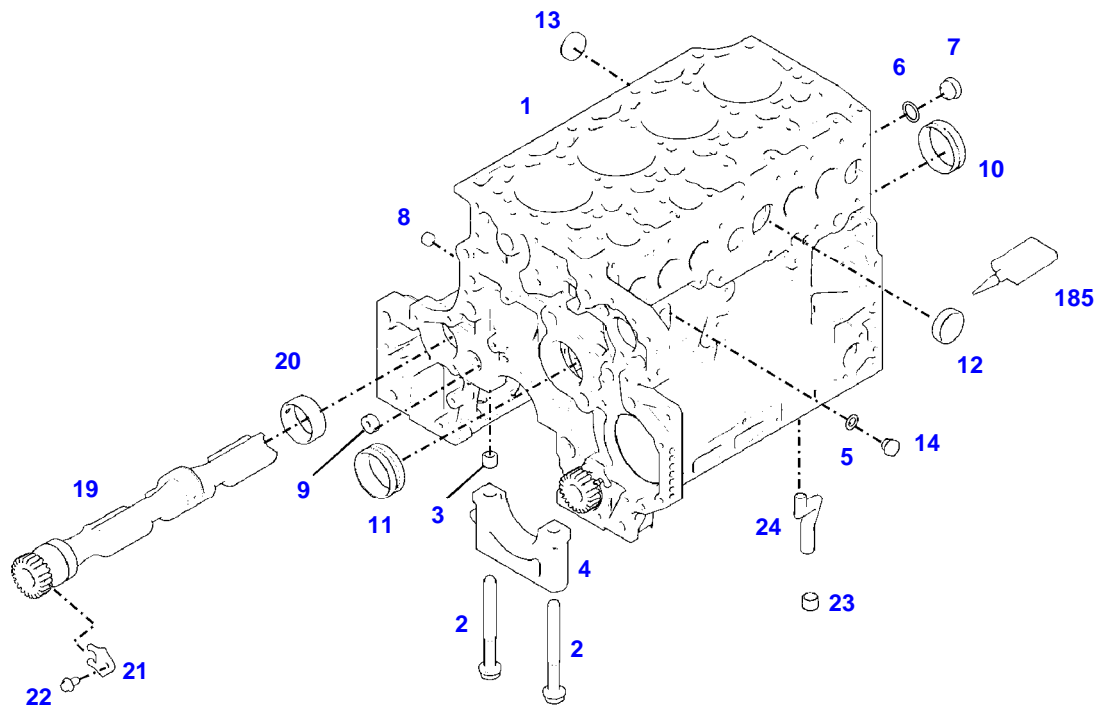


Page Number	Page Title	Page Reference
01-000-TOC	ENGINE, FUEL AND EXHAUST SYSTEM	01-000-TOC
02-000-TOC	AXLES	02-000-TOC
03-000-TOC	STEERING SYSTEM	03-000-TOC
04-000-TOC	DRIVE TRAIN SYSTEM	04-000-TOC
05-000-TOC	COMPRESSED AIR SYSTEM	05-000-TOC
06-000-TOC	HYDRAULIC SYSTEM	06-000-TOC
07-000-TOC	ELECTRICAL SYSTEM	07-000-TOC
08-000-TOC	CAB	08-000-TOC
09-000-TOC	AIR CONDITIONING AND HEATING SYSTEM	09-000-TOC
10-000-TOC	CHASSIS	10-000-TOC
11-000-TOC	WHEELS	11-000-TOC
12-000-TOC	IMPLEMENT LIFT SYSTEM FRONT	12-000-TOC
13-000-TOC	IMPLEMENT LIFT SYSTEM REAR	13-000-TOC
14-000-TOC	FRONT/REAR LOADERS	14-000-TOC
15-000-TOC	ACCESSORIES	15-000-TOC

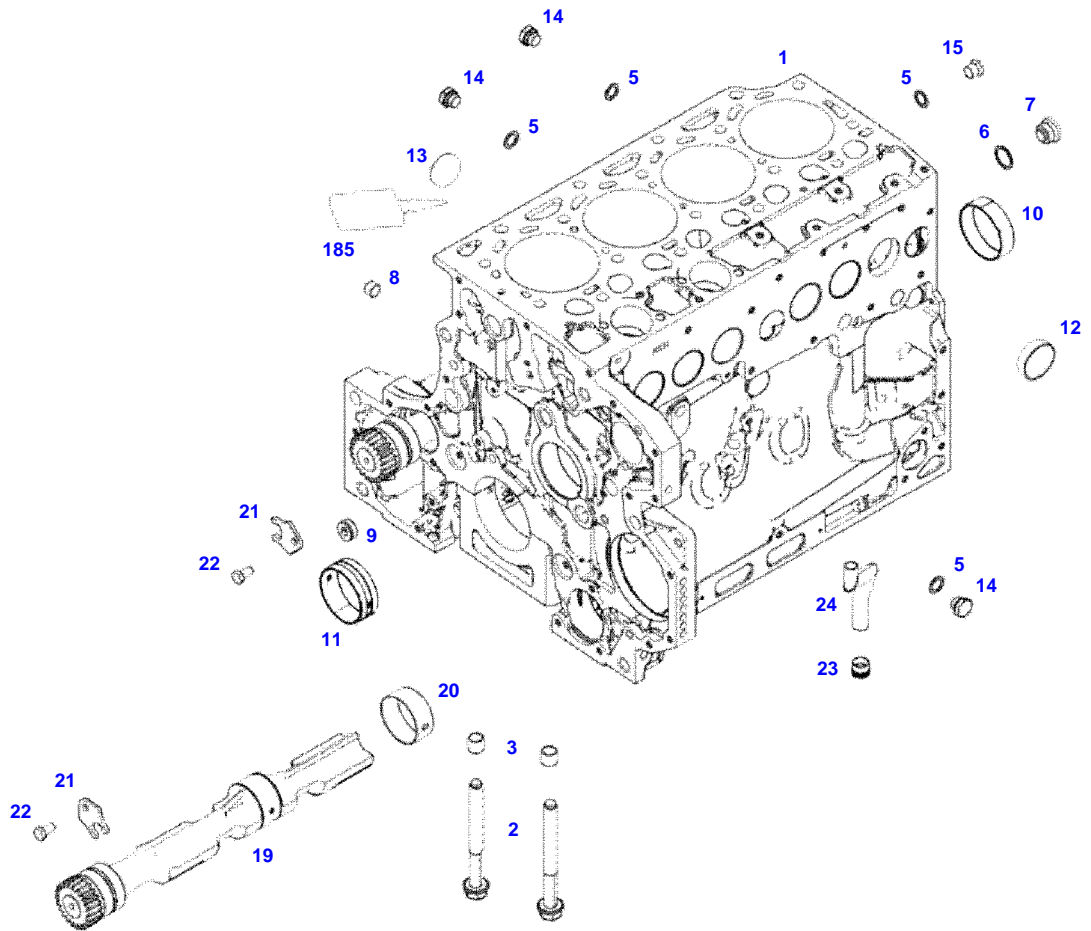
FENDT 309 VARIO SCR (322/00101-99999)
41473



041473

Item	Part Number	Qty	Description Comments	Technical Specification
			UP TO ENGINE S/N 11799185	
	72605671	1	ENGINE <-- 322/1001 --> 322/1299	TCD4.1L4
	72608989	1	REMANUFACTURED SHORT BLOCK ENGINE <-- 322/1001 --> 322/1299	
	72609505	1	ENGINE <-- 322/1300	TCD4.1L4
1	72498220	1	CRANKCASE ><2-14,19-24	
2	72416467	10	HEXAGONAL HEAD BOLT	
3	72344342	10	ADAPTER BUSH	
4				
			NOT AVAILABLE IN SINGLE PARTS	
5	72456134	2	SEALING WASHER	DIN 7603 D14X20-CU-VERZINNT
6	72439874	1	SEALING WASHER	
7	72455559	1	PLUG SCREW	
8	72429347	2	SCREW M14X1,5	M14X1,5
9	72431135	1	LOCKING PLUG	
10	72497417	4	BEARING BUSHING	
11	72491822	1	BEARING BUSHING	
12	72325325	6	CORE HOLE PLUG	
13	72325326	4	CORE HOLE PLUG	
14	72315799	2	PLUG	DIN 7604 AM14X1,5-A3L
19	72439854	2	GANG SHAFT	
20	72325339	4	BUSH	
21	72415943	2	THRUST WASHER	
22	72423137	2	HEXAGONAL HEAD BOLT M8X16	
23	72420773	1	LOCKING PART	
24	72436713	1	LINE	
185	72381391	1	THREADLOCKER	LOCTITE 243 10ML

FENDT 309 VARIO SCR (322/00101-99999)
F061365

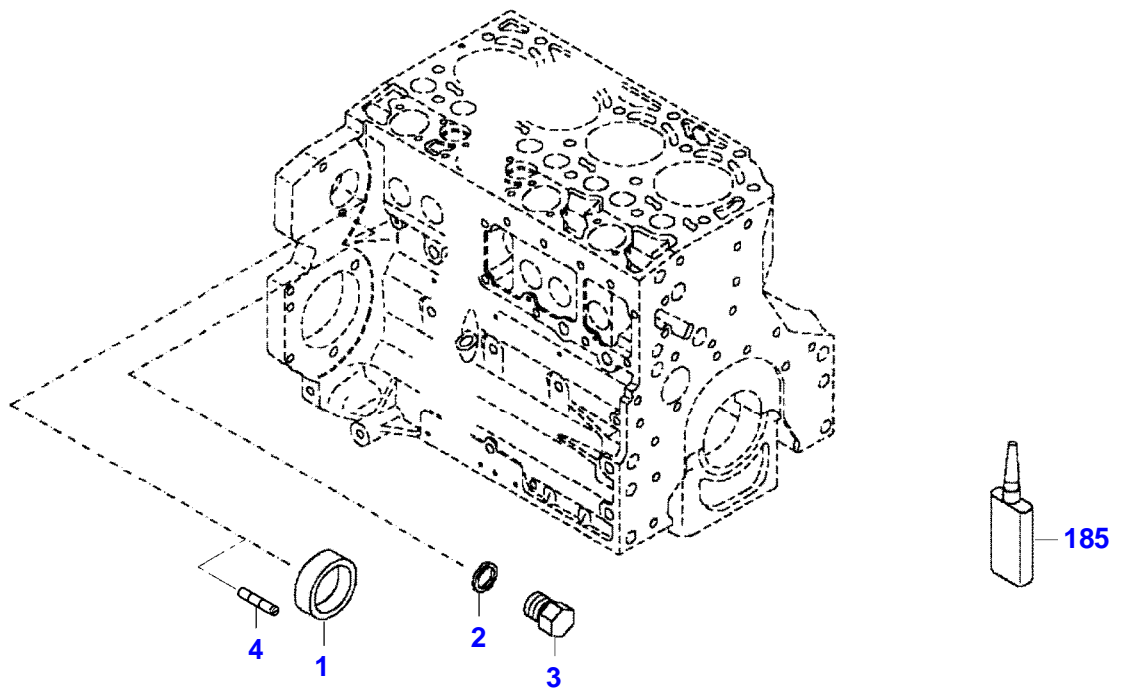


F061365



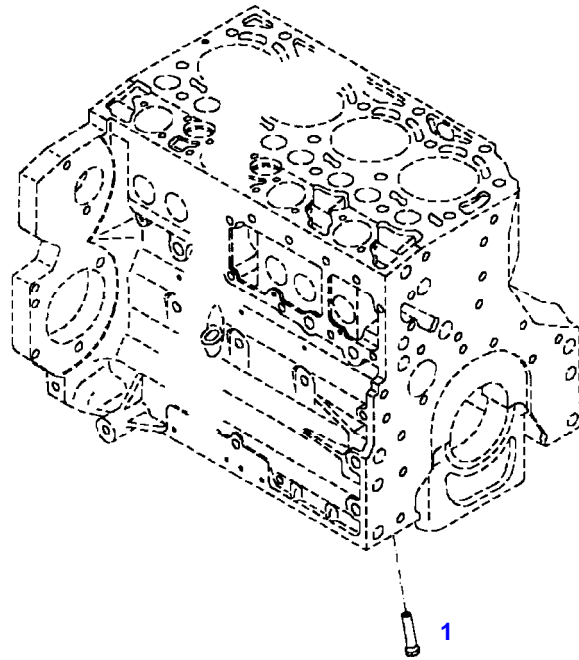
Item	Part Number	Qty	Description Comments	Technical Specification
			FROM ENGINE S/N 11799186	
	72609505	1	ENGINE	TCD4.1L4
1	ACP0152920	1	<-- 322/1300 CRANKCASE ><2-15,19-24	
2	72416467	10	HEXAGONAL HEAD BOLT	
3	72344342	10	ADAPTER BUSH	
5	72456134	4	SEALING WASHER	DIN 7603 D14X20-CU-VERZINNT
6	72439874	1	SEALING WASHER	
7	72455559	1	PLUG SCREW	
8	72429347	1	SCREW	M14X1,5
9	72431135	1	LOCKING PLUG	
10	72615416	4	BEARING BUSHING	
11	72491822	1	BEARING BUSHING	
12	72325325	6	CORE HOLE PLUG	
13	72325326	4	CORE HOLE PLUG	
14	72315799	3	PLUG	DIN 7604 AM14X1,5-A3L
15	72315438	1	PLUG SCREW	DIN 908 M14X1,5-ST
19	72439854	2	GANG SHAFT	
20	72325339	4	BUSH	
21	72415943	2	THRUST WASHER	
22	72423137	2	HEXAGONAL HEAD BOLT M8X16	
23	72420773	1	LOCKING PART	
24	72436713	1	LINE	
185	72381391	1	THREADLOCKER	LOCTITE 243 10ML

FENDT 309 VARIO SCR (322/00101-99999)
432327-M-1



432327-M-1

Item	Part Number	Qty	Description Comments	Technical Specification
BLANKING PARTS				
1	72627515	1	CORE HOLE PLUG	
2	72315088	2	SEALING WASHER	DIN 7603 A10X13,5-CU
3	72323677	2	PLUG	
4	72631860	2	SLUG	
185	72325403	1	SAFE.LOCK AGENT	



030004

Fendt

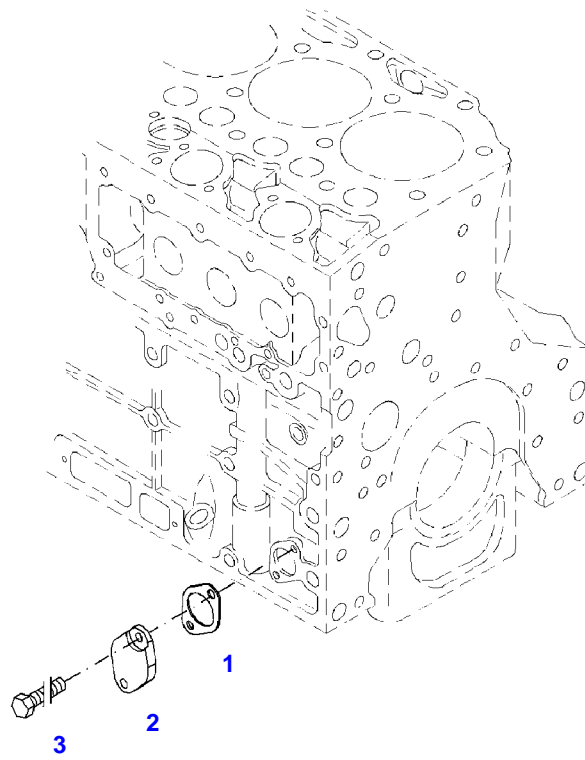
FENDT 309 VARIO SCR (322/00101-99999)

F322000

CRANKCASE

Page01-0004

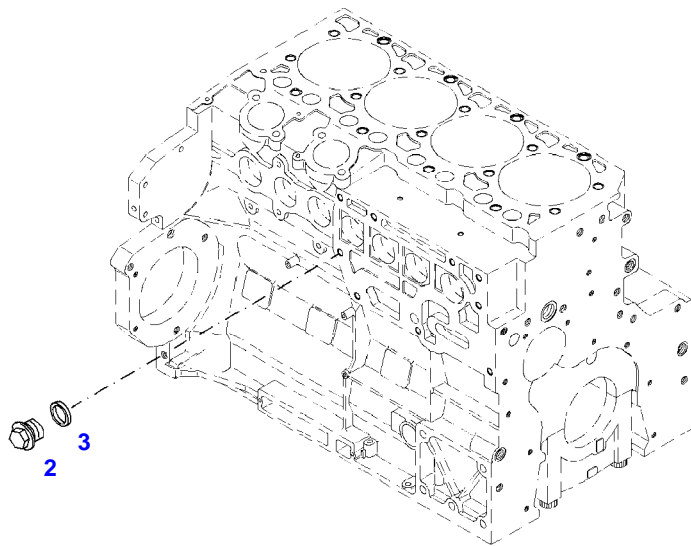
Item	Part Number	Qty	Description Comments
			PISTON COOL.NOZZLE
1	72415140	4	PISTON COOLING JET



041018

Item	Part Number	Qty	Description Comments	Technical Specification
BLANKING PARTS				
1	72325401	1	SEAL	
2	72439814	1	FLANGE NOT NEEDED WITH AIR BRAKE	
3	72374423	2	HEXAGONAL HEAD BOLT NOT NEEDED WITH AIR BRAKE	DIN 933 M8X20-10.9A4C

FENDT 309 VARIO SCR (322/00101-99999)
35632



035632

Fendt

FENDT 309 VARIO SCR (322/00101-99999)

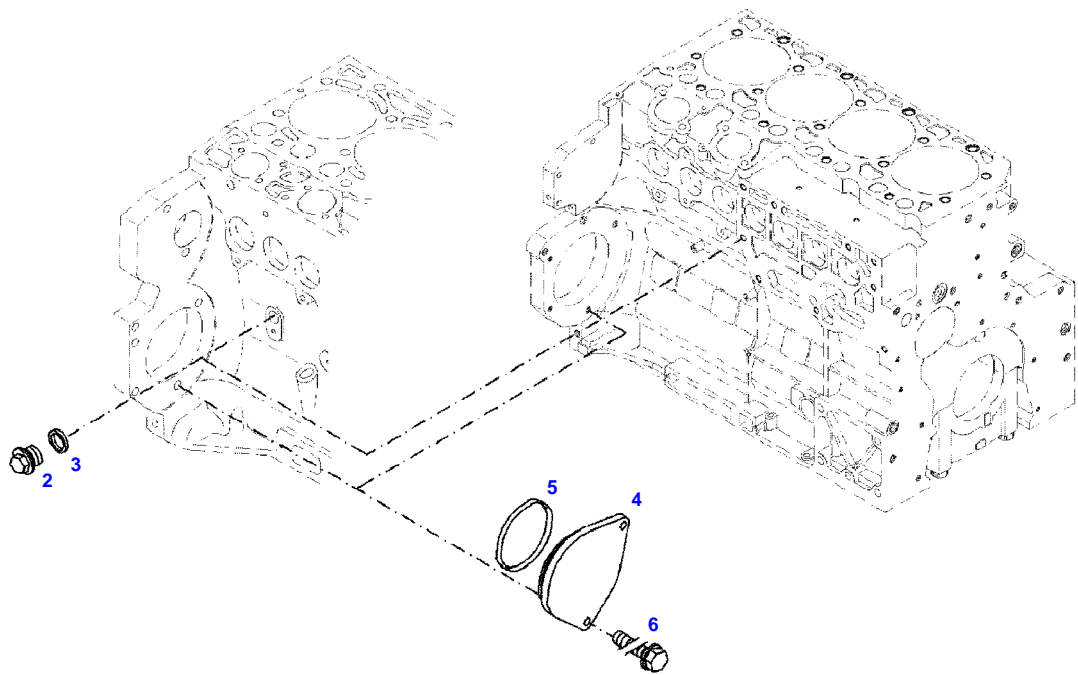
F322000

CRANKCASE

Page01-0006

Item	Part Number	Qty	Description Comments	Technical Specification
			BLANKING PARTS UP TO ENGINE S/N 11128188	
2	72315799	1	PLUG	DIN 7604 AM14X1,5-A3L
3	72315094	1	SEALING WASHER	DIN 7603 A14X18-CU

FENDT 309 VARIO SCR (322/00101-99999)
F51577

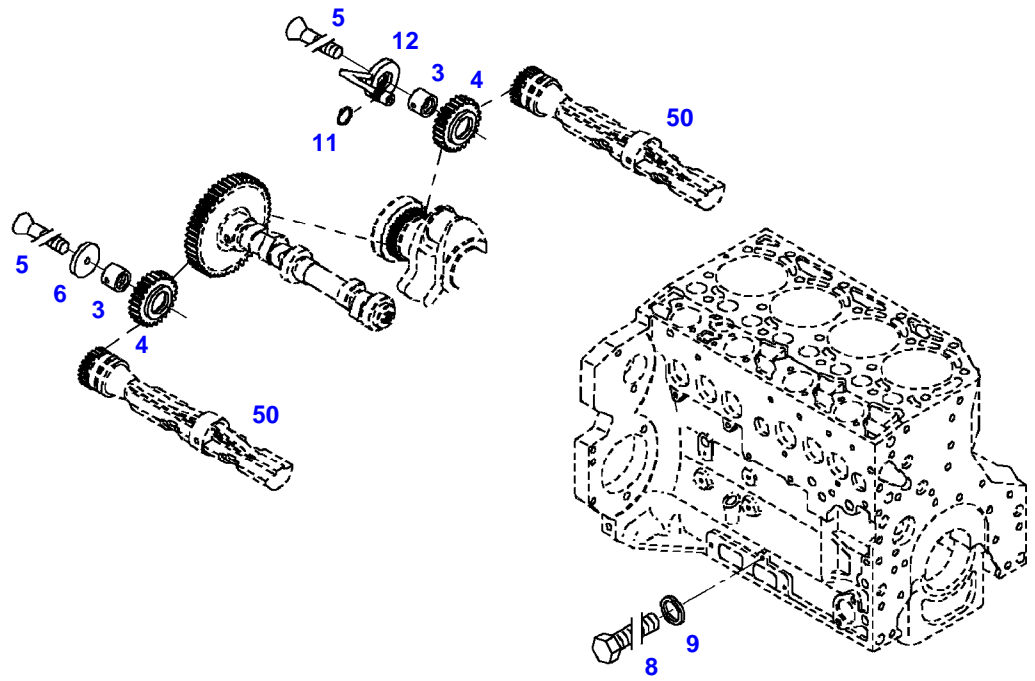


051577



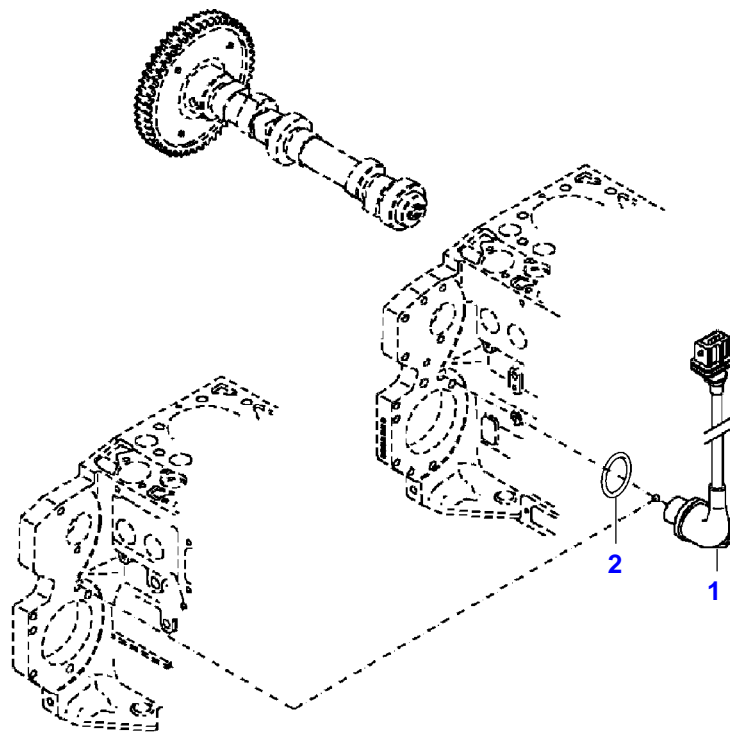
Item	Part Number	Qty	Description Comments	Technical Specification
			BLANKING PARTS FROM ENGINE S/N 11128189	
2	72315799	1	PLUG	DIN 7604 AM14X1,5-A3L
3	72315094	1	SEALING WASHER	DIN 7603 A14X18-CU
4	72431648	1	COVER	
5	72416472	1	SEAL	
6	72438057	2	HEXAGONAL HEAD BOLT	M10X20

FENDT 309 VARIO SCR (322/00101-99999)
33867



033867

Item	Part Number	Qty	Description Comments	Technical Specification
3	72415940	2	PIVOT	
4	72415941	2	GEAR WHEEL	
5	72423136	2	COUNTERSUNK CAPSCREW M8X45	
6	72415942	1	FIXING SHIM	
8	72315644	2	HEXAGONAL HEAD BOLT	DIN 933 M8X10-8.8A3L
9	72315087	2	SEALING WASHER	DIN 7603 A8X14-CU
11	72423138	1	SEAL 7X1,5MM	
12	72415945	1	PIVOT	
50			SEE CRANKCASE	



431755-M-1

Fendt

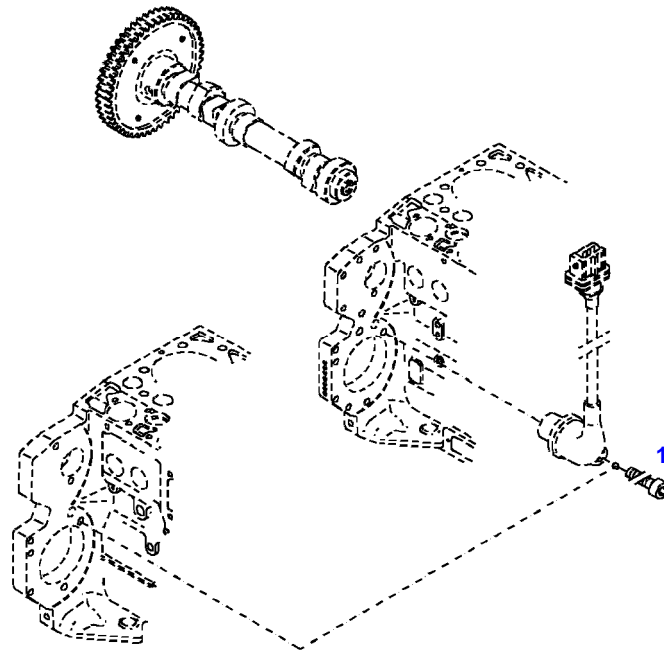
FENDT 309 VARIO SCR (322/00101-99999)

F322000

TRANSMITTER

Page01-0009

Item	Part Number	Qty	Description Comments
			ENGINE SPEED EDC
1	72626758	1	TRANSMITTER
2	72628348	1	O-RING



035317

Fendt

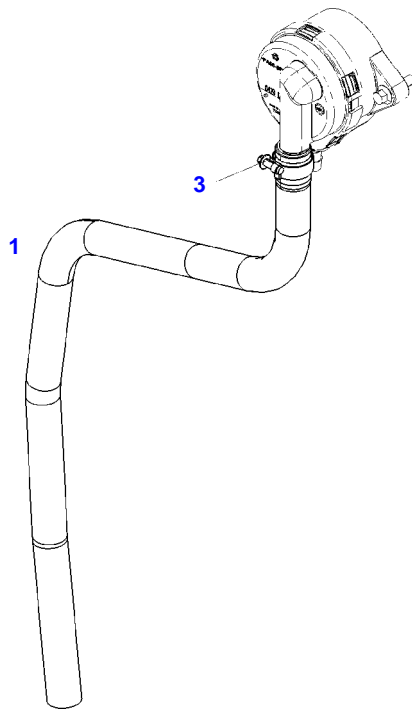
FENDT 309 VARIO SCR (322/00101-99999)

F322000

TRANSMITTER

Page01-0010

Item	Part Number	Qty	Description Comments	Technical Specification
			ENGINE SPEED FASTENINGS	
1	72315460	1	SOCKET HEAD BOLT	DIN 912 M6X16-8.8



039377

Fendt

FENDT 309 VARIO SCR (322/00101-99999)

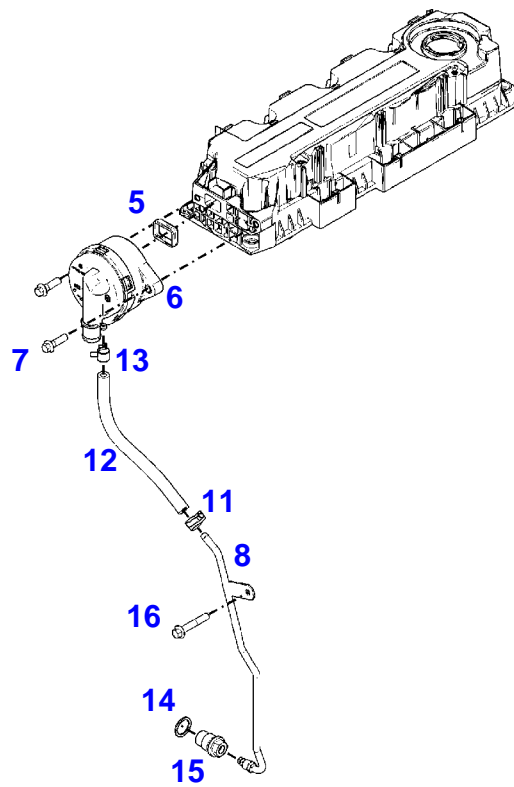
F322000

CRANKCASE BREATHER

Page01-0011

Item	Part Number	Qty	Description Comments
			BREATHER TUBE
1	72496628	1	HOSE
3	72311167	1	HOSE CLIP

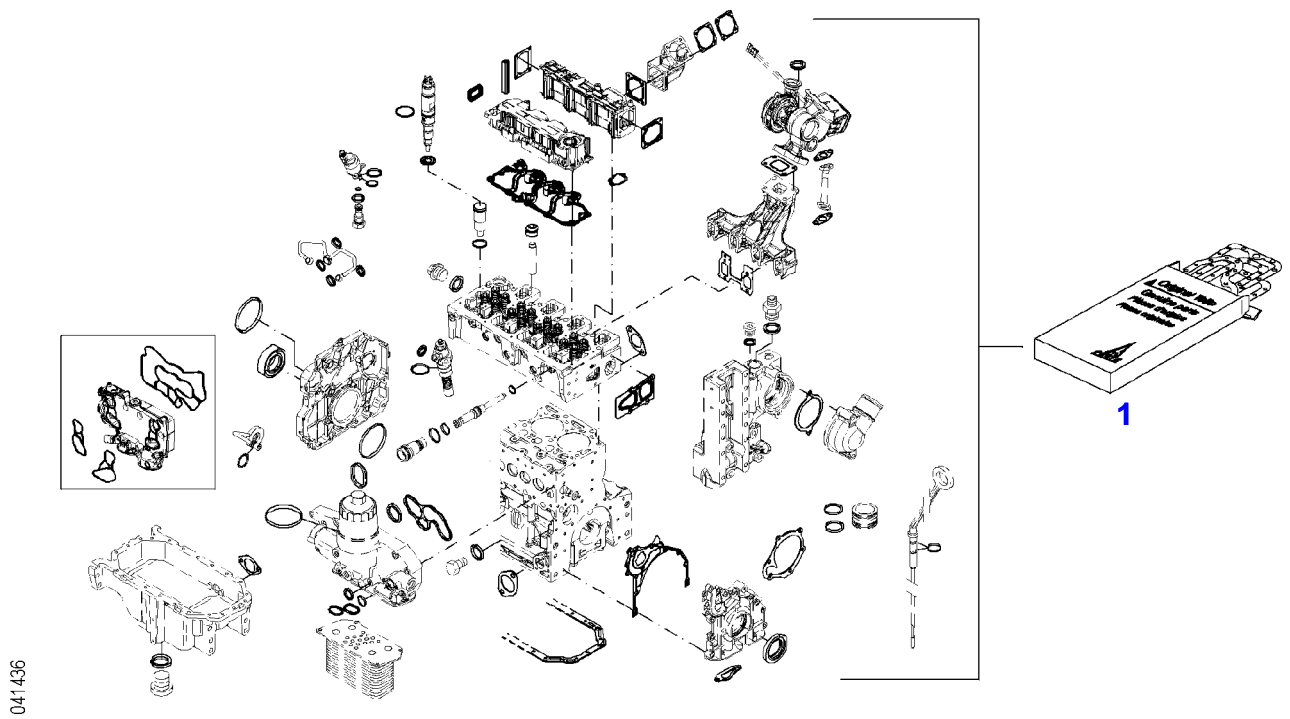
FENDT 309 VARIO SCR (322/00101-99999)
41435



041435

Item	Part Number	Qty	Description Comments	Technical Specification
			OIL RETURN TUBE	
5	72455795	1	SEAL	
6	72437250	1	BREATHER ><5	
7	72325293	2	HEXAGONAL HEAD BOLT M8X30	M8X30
8	72438014	1	OIL RETURN LINE ><11,12	
11	72471856	1	PIPE CLAMP	
12	72437138	1	RUBBER HOSE	
13	72471856	1	PIPE CLAMP	
14	72315101	1	SEALING WASHER	DIN 7603 A22X27-CU
15	72436504	1	LOCK VALVE	
16	72325453	1	HEXAGONAL HEAD BOLT M8X50	

FENDT 309 VARIO SCR (322/00101-99999)
41436



Thank you so much for reading.
Please click the “Buy Now!”
button below to download the
complete manual.



After you pay.

You can download the most
perfect and complete manual in
the world immediately.

Our support email:

ebooklibonline@outlook.com