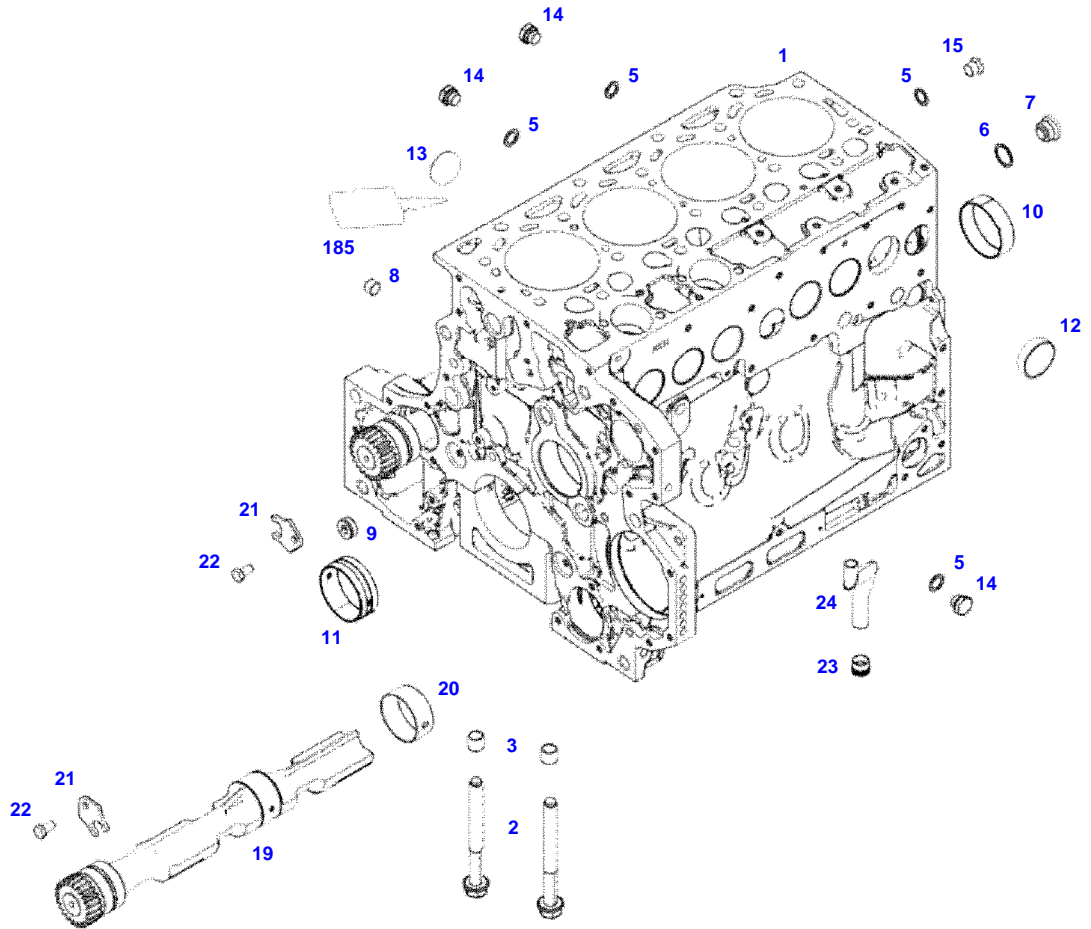


| Page Number | Page Title | Page Reference |
|--------------------|-------------------------------------|-----------------------|
| 01-000-TOC | ENGINE, FUEL AND EXHAUST SYSTEM | 01-000-TOC |
| 02-000-TOC | AXLES | 02-000-TOC |
| 03-000-TOC | STEERING SYSTEM | 03-000-TOC |
| 04-000-TOC | DRIVE TRAIN SYSTEM | 04-000-TOC |
| 05-000-TOC | COMPRESSED AIR SYSTEM | 05-000-TOC |
| 06-000-TOC | HYDRAULIC SYSTEM | 06-000-TOC |
| 07-000-TOC | ELECTRICAL SYSTEM | 07-000-TOC |
| 08-000-TOC | CAB | 08-000-TOC |
| 09-000-TOC | AIR CONDITIONING AND HEATING SYSTEM | 09-000-TOC |
| 10-000-TOC | CHASSIS | 10-000-TOC |
| 11-000-TOC | WHEELS | 11-000-TOC |
| 12-000-TOC | IMPLEMENT LIFT SYSTEM FRONT | 12-000-TOC |
| 13-000-TOC | IMPLEMENT LIFT SYSTEM REAR | 13-000-TOC |
| 14-000-TOC | FRONT/REAR LOADERS | 14-000-TOC |
| 15-000-TOC | ACCESSORIES | 15-000-TOC |

FENDT 312 VARIO SCR (325/00101-99999)
F061365

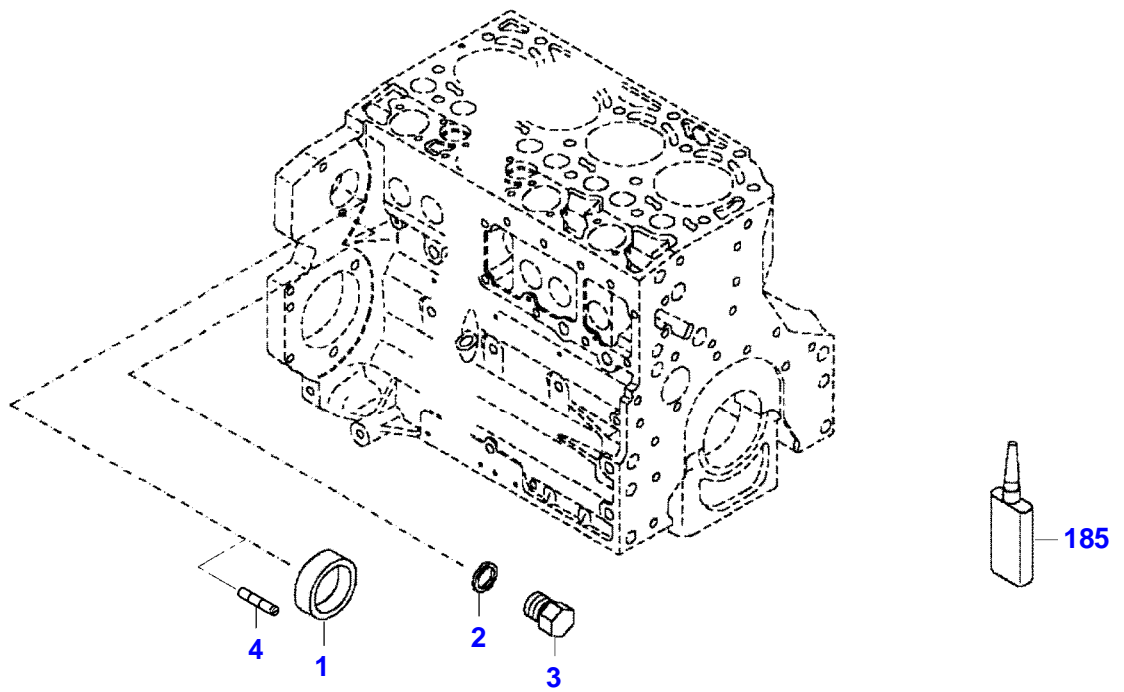


F061365



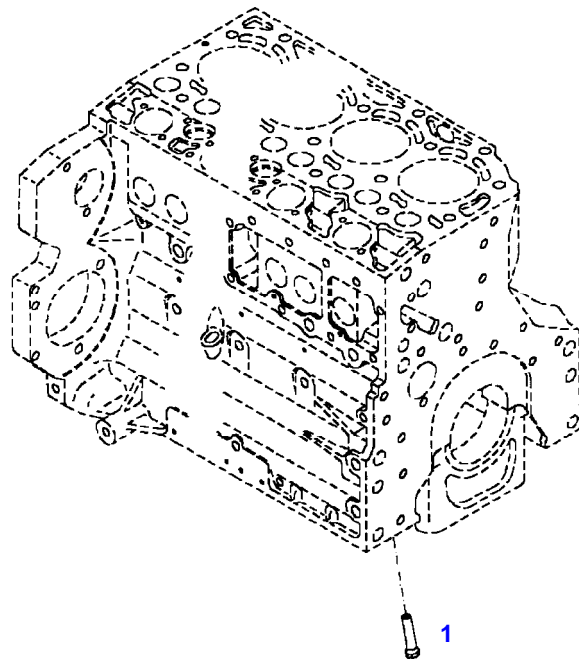
| Item | Part Number | Qty | Description Comments | Technical Specification |
|------|-------------|-----|---|-----------------------------|
| | | | FROM ENGINE S/N 11799622 | |
| | 72626696 | 1 | ENGINE | TCD4.1L4 |
| 1 | 72627536 | 1 | FLEXI ENGINE CRANKCASE ><2-15,19-24 | |
| 2 | 72416467 | 10 | HEXAGONAL HEAD BOLT | |
| 3 | 72344342 | 10 | ADAPTER BUSH | |
| 5 | 72456134 | 4 | SEALING WASHER | DIN 7603 D14X20-CU-VERZINNT |
| 6 | 72439874 | 1 | SEALING WASHER | |
| 7 | 72455559 | 1 | PLUG SCREW | |
| 8 | 72429347 | 1 | SCREW M14X1,5 | M14X1,5 |
| 9 | 72431135 | 1 | LOCKING PLUG | |
| 10 | ACP0152940 | 4 | FEMALE BEARING | |
| 11 | ACP0152930 | 1 | FEMALE BEARING | |
| 12 | 72325325 | 6 | CORE HOLE PLUG | |
| 13 | 72325326 | 4 | CORE HOLE PLUG | |
| 14 | 72315799 | 3 | PLUG | DIN 7604 AM14X1,5-A3L |
| 15 | 72315438 | 1 | PLUG SCREW | DIN 908 M14X1,5-ST |
| 19 | 72439854 | 2 | GANG SHAFT | |
| 20 | 72325339 | 4 | BUSH | |
| 21 | 72415943 | 2 | THRUST WASHER | |
| 22 | 72423137 | 2 | HEXAGONAL HEAD BOLT M8X16 | |
| 23 | 72420773 | 1 | LOCKING PART | |
| 24 | 72436713 | 1 | LINE | |
| 185 | 72381391 | 1 | THREADLOCKER | LOCTITE 243 10ML |

FENDT 312 VARIO SCR (325/00101-99999)
432327-M-1



432327-M-1

| Item | Part Number | Qty | Description Comments | Technical Specification |
|-----------------------|-------------|-----|-------------------------|-------------------------|
| BLANKING PARTS | | | | |
| 1 | 72627515 | 1 | CORE HOLE PLUG | |
| 2 | 72315088 | 2 | SEALING WASHER | DIN 7603 A10X13,5-CU |
| 3 | 72323677 | 2 | PLUG | |
| 4 | 72631860 | 2 | SLUG | |
| 185 | 72325403 | 1 | SAFE.LOCK AGENT | |



030004

Fendt

FENDT 312 VARIO SCR (325/00101-99999)

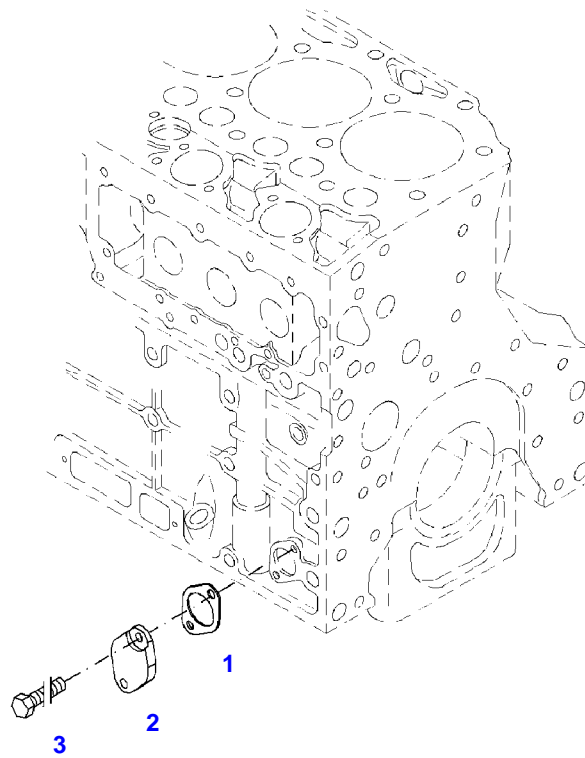
F325000

CRANKCASE

Page01-0005

| Item | Part Number | Qty | Description Comments |
|------|-------------|-----|-------------------------|
| | | | PISTON COOL.NOZZLE |
| 1 | 72415140 | 4 | PISTON COOLING JET |

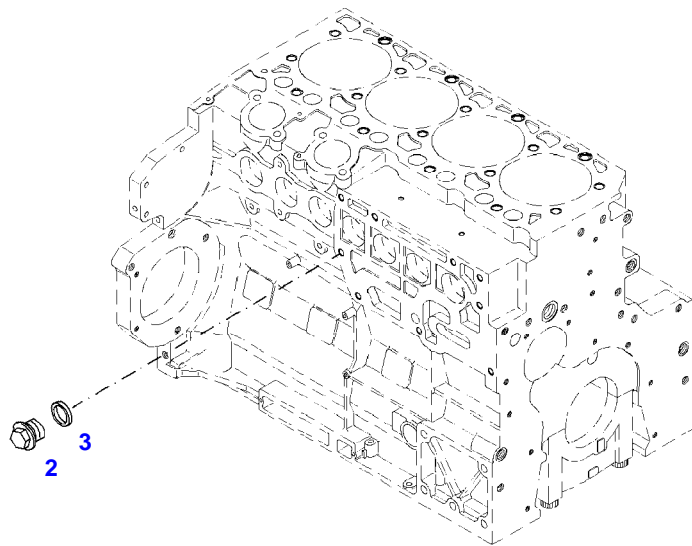
FENDT 312 VARIO SCR (325/00101-99999)
41018



041018

| Item | Part Number | Qty | Description Comments | Technical Specification |
|-----------------------|-------------|-----|--|-------------------------|
| BLANKING PARTS | | | | |
| 1 | 72325401 | 1 | SEAL | |
| 2 | 72439814 | 1 | FLANGE NOT NEEDED WITH AIR BRAKE | |
| 3 | 72374423 | 2 | HEXAGONAL HEAD BOLT NOT NEEDED WITH AIR BRAKE | DIN 933 M8X20-10.9A4C |

FENDT 312 VARIO SCR (325/00101-99999)
35632



035632

Fendt

FENDT 312 VARIO SCR (325/00101-99999)

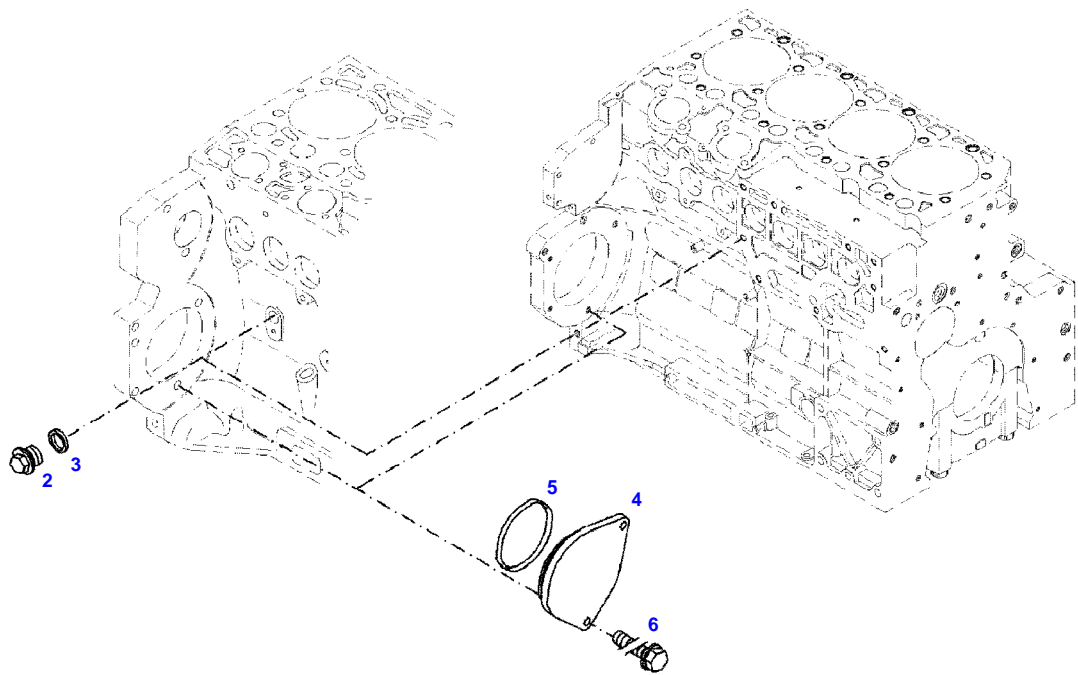
F325000

CRANKCASE

Page01-0007

| Item | Part Number | Qty | Description Comments | Technical Specification |
|------|-------------|-----|--|-------------------------|
| | | | BLANKING PARTS UP TO ENGINE S/N 11128188 | |
| 2 | 72315799 | 1 | PLUG | DIN 7604 AM14X1,5-A3L |
| 3 | 72315094 | 1 | SEALING WASHER | DIN 7603 A14X18-CU |

FENDT 312 VARIO SCR (325/00101-99999)
F51577

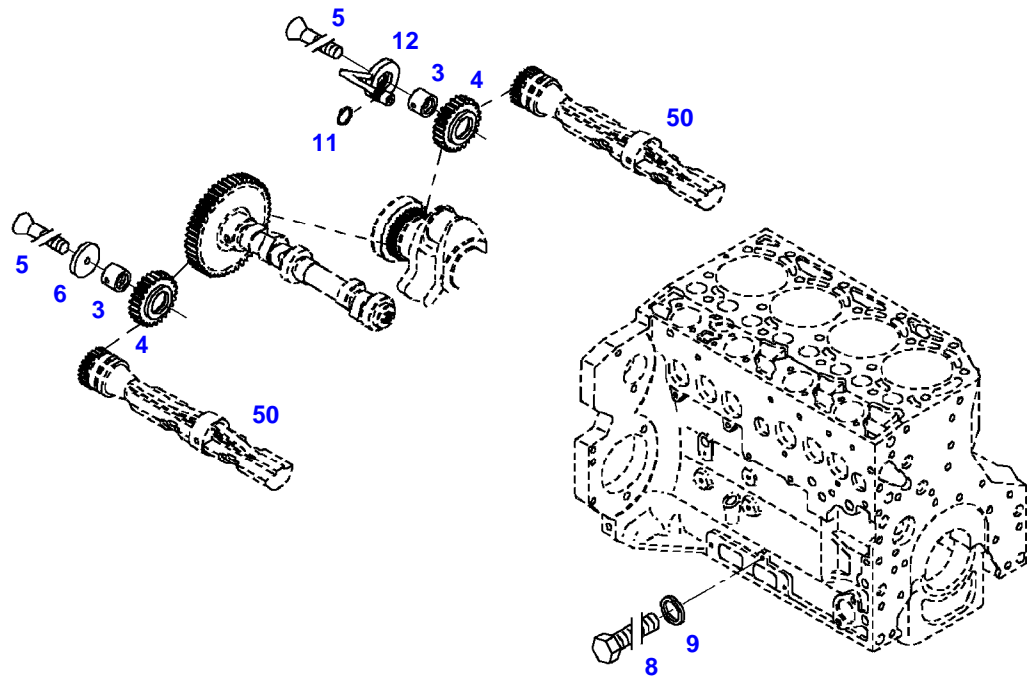


051577



| Item | Part Number | Qty | Description Comments | Technical Specification |
|------|-------------|-----|--|-------------------------|
| | | | BLANKING PARTS FROM ENGINE S/N 11128189 | |
| 2 | 72315799 | 1 | PLUG | DIN 7604 AM14X1,5-A3L |
| 3 | 72315094 | 1 | SEALING WASHER | DIN 7603 A14X18-CU |
| 4 | 72431648 | 1 | COVER | |
| 5 | 72416472 | 1 | SEAL | |
| 6 | 72438057 | 2 | HEXAGONAL HEAD BOLT | M10X20 |

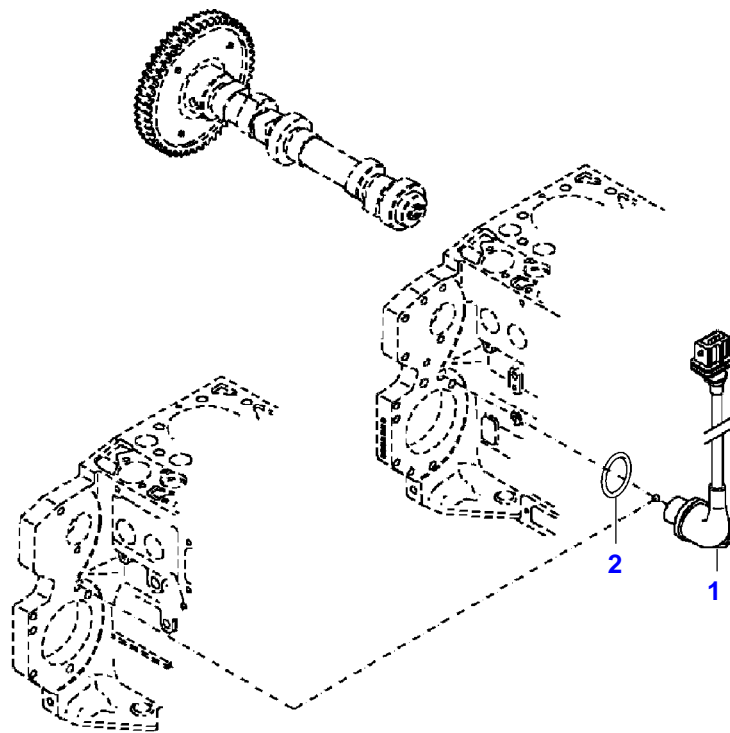
FENDT 312 VARIO SCR (325/00101-99999)
33867



033867

| Item | Part Number | Qty | Description Comments | Technical Specification |
|------|-------------|-----|-------------------------------|-------------------------|
| 3 | 72415940 | 2 | PIVOT | |
| 4 | 72415941 | 2 | GEAR WHEEL | |
| 5 | 72423136 | 2 | COUNTERSUNK CAPSCREW M8X45 | |
| 6 | 72415942 | 1 | FIXING SHIM | |
| 8 | 72315644 | 2 | HEXAGONAL HEAD BOLT | DIN 933 M8X10-8.8A3L |
| 9 | 72315087 | 2 | SEALING WASHER | DIN 7603 A8X14-CU |
| 11 | 72423138 | 1 | SEAL 7X1,5MM | |
| 12 | 72415945 | 1 | PIVOT | |
| 50 | | | SEE CRANKCASE | |

FENDT 312 VARIO SCR (325/00101-99999)
431755-M-1



431755-M-1

Fendt

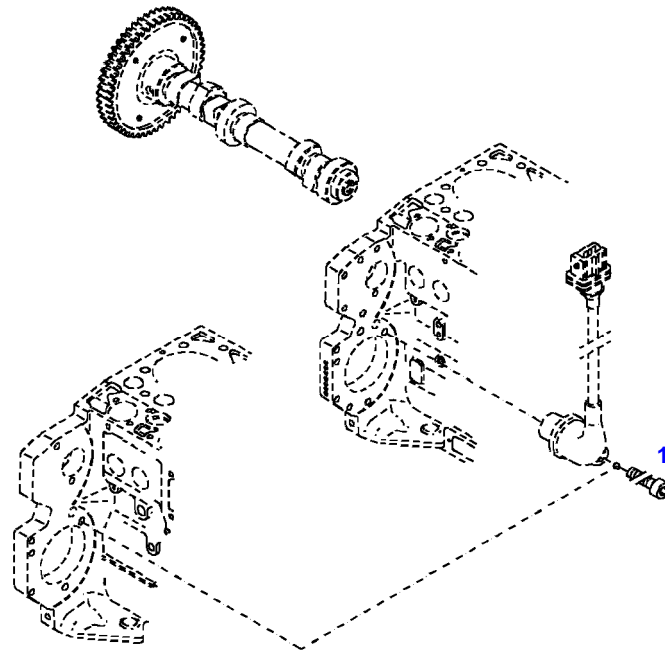
FENDT 312 VARIO SCR (325/00101-99999)

F325000

TRANSMITTER

Page01-0010

| Item | Part Number | Qty | Description Comments |
|------|-------------|-----|-------------------------|
| | | | ENGINE SPEED EDC |
| 1 | 72626758 | 1 | TRANSMITTER |
| 2 | 72628348 | 1 | O-RING |



035317

Fendt

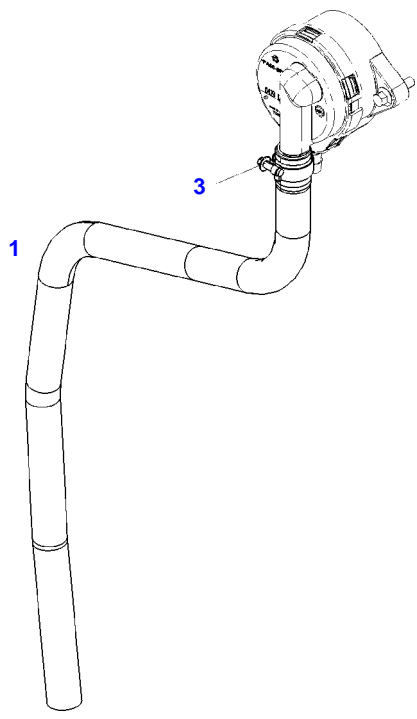
FENDT 312 VARIO SCR (325/00101-99999)

F325000

TRANSMITTER

Page01-0011

| Item | Part Number | Qty | Description Comments | Technical Specification |
|------|-------------|-----|----------------------------|-------------------------|
| | | | ENGINE SPEED FASTENINGS | |
| 1 | 72315460 | 1 | SOCKET HEAD BOLT | DIN 912 M6X16-8.8 |



039377

Fendt

FENDT 312 VARIO SCR (325/00101-99999)

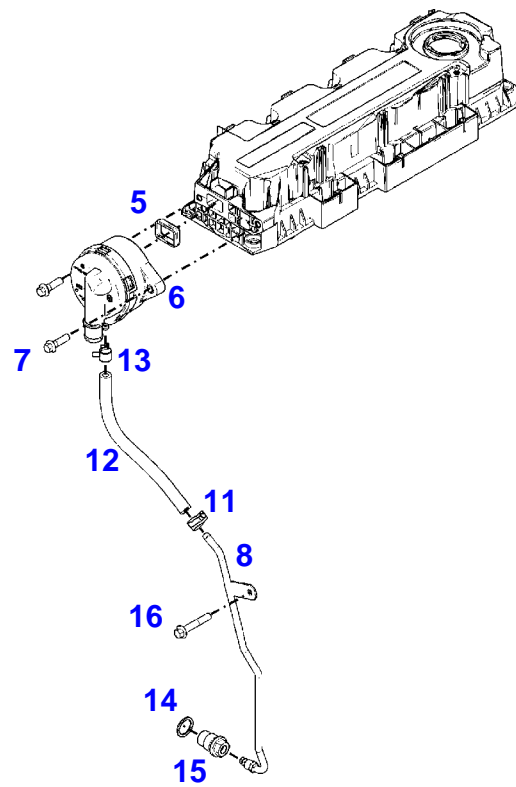
F325000

CRANKCASE BREATHER

Page01-0012

| Item | Part Number | Qty | Description Comments |
|------|-------------|-----|-------------------------|
| | | | BREATHER TUBE |
| 1 | 72496628 | 1 | HOSE |
| 3 | 72311167 | 1 | HOSE CLIP |

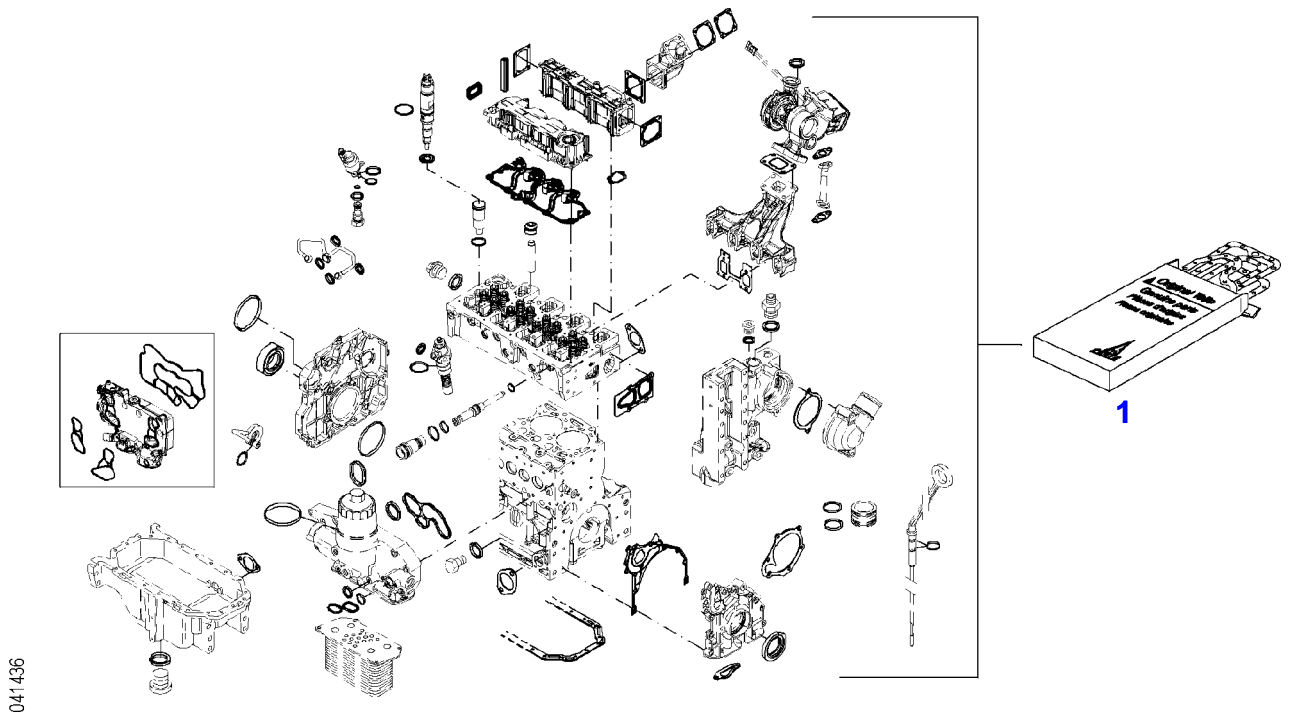
FENDT 312 VARIO SCR (325/00101-99999)
41435



041435

| Item | Part Number | Qty | Description Comments | Technical Specification |
|------|-------------|-----|------------------------------|-------------------------|
| | | | OIL RETURN TUBE | |
| 5 | 72455795 | 1 | SEAL | |
| 6 | 72437250 | 1 | BREATHER ><5 | |
| 7 | 72325293 | 2 | HEXAGONAL HEAD BOLT M8X30 | M8X30 |
| 8 | 72438014 | 1 | OIL RETURN LINE ><11,12 | |
| 11 | 72471856 | 1 | PIPE CLAMP | |
| 12 | 72437138 | 1 | RUBBER HOSE | |
| 13 | 72471856 | 1 | PIPE CLAMP | |
| 14 | 72315101 | 1 | SEALING WASHER | DIN 7603 A22X27-CU |
| 15 | 72436504 | 1 | LOCK VALVE | |
| 16 | 72325453 | 1 | HEXAGONAL HEAD BOLT M8X50 | |

FENDT 312 VARIO SCR (325/00101-99999)
41436



Fendt

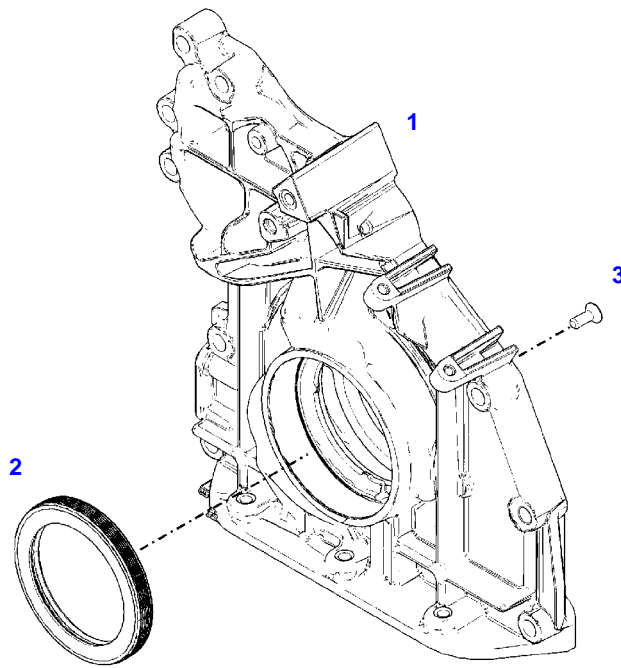
FENDT 312 VARIO SCR (325/00101-99999)

F325000

SET OF GASKETS - MOTOR

Page01-0014

| Item | Part Number | Qty | Description Comments |
|------|-------------|-----|--|
| 1 | 72609180 | 1 | SEAL KIT WITHOUT CYLINDER HEAD GASKET |



041342

Fendt

FENDT 312 VARIO SCR (325/00101-99999)

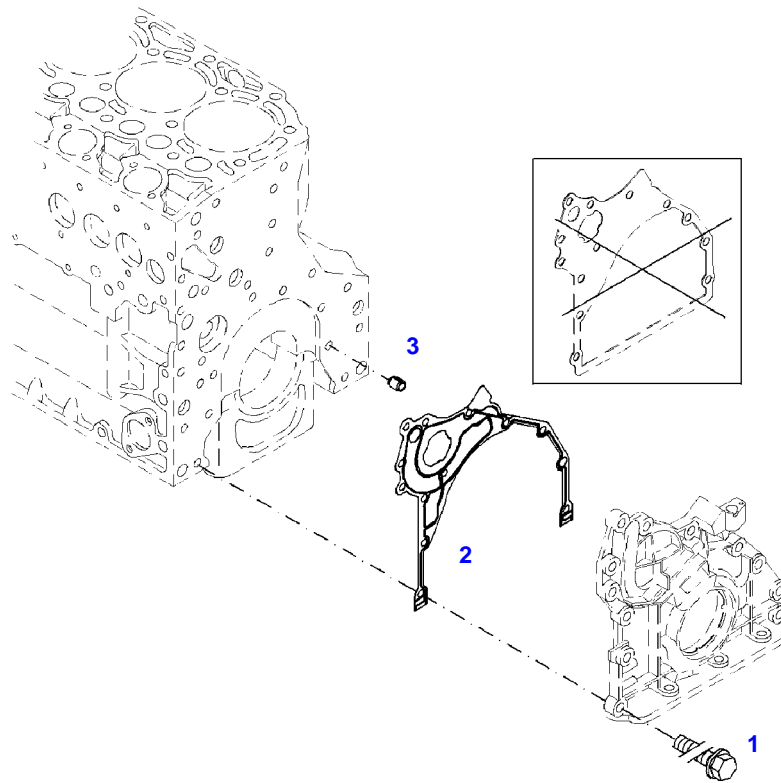
F325000

FRONT COVER

Page01-0015

| Item | Part Number | Qty | Description Comments |
|------|-------------|-----|---|
| | | | INTEGRATED OIL PUMP |
| 1 | 72630300 | 1 | CRANKCASE END COVER INTEGRATED OIL PUMP ><2,3 |
| 2 | 72479487 | 1 | SHAFT SEAL |
| 3 | 72416228 | 8 | COUNTERSUNK CAPSCREW M6X16 |

FENDT 312 VARIO SCR (325/00101-99999)
41308



041308

Fendt

FENDT 312 VARIO SCR (325/00101-99999)

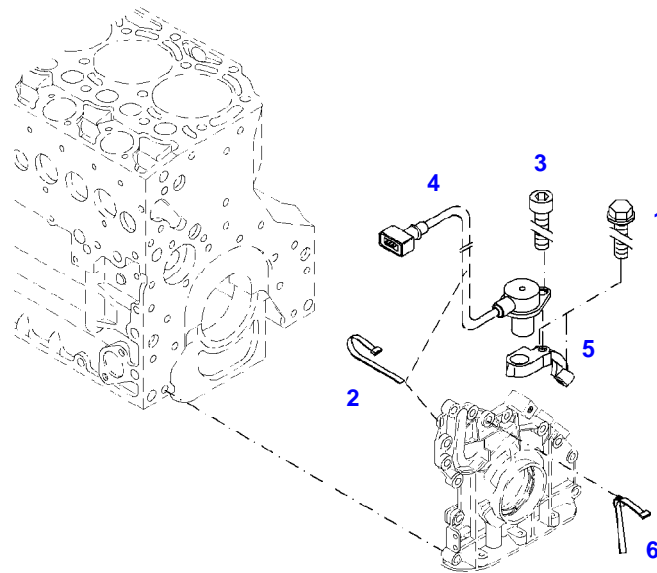
F325000

FRONT COVER

Page01-0016

| Item | Part Number | Qty | Description Comments | Technical Specification |
|-------------------|-------------|-----|------------------------------|-------------------------|
| FASTENINGS | | | | |
| 1 | 72605244 | 10 | HEXAGONAL HEAD BOLT M8X35 | M8X35 |
| 2 | 72486511 | 1 | SEAL | |
| 3 | 72325352 | 1 | TENSIONER BUSHING | |

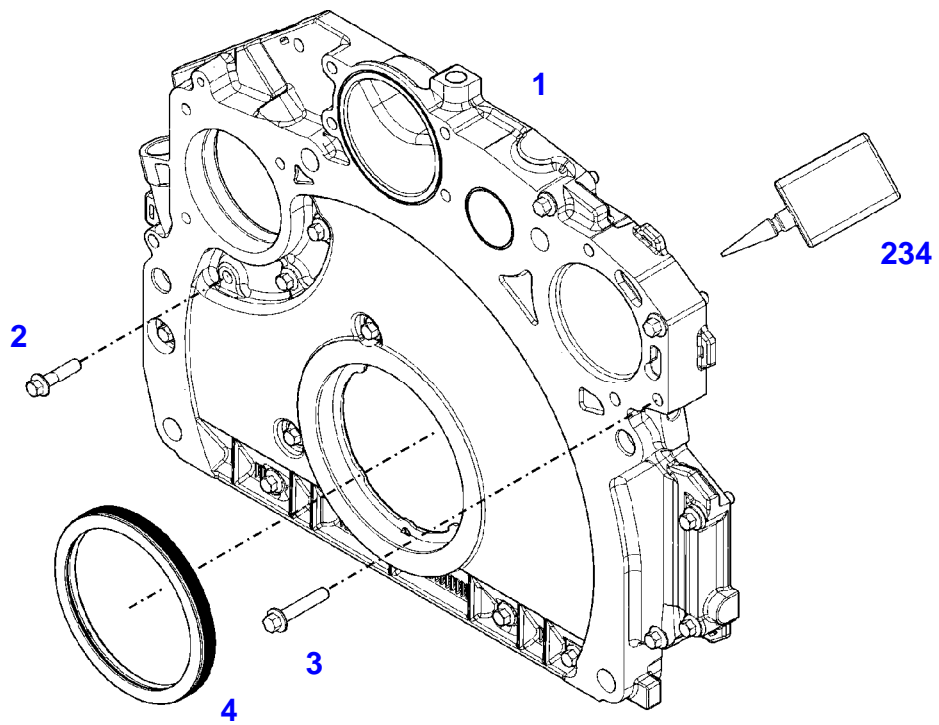
FENDT 312 VARIO SCR (325/00101-99999)
41030



041030

| Item | Part Number | Qty | Description Comments | Technical Specification |
|------|-------------|-----|------------------------------------|-------------------------|
| | | | ENGINE SPEED EDC | |
| 1 | 72436834 | 2 | HEXAGONAL HEAD BOLT M6X30 | |
| 2 | 72416001 | 2 | RETAINING STRAP | |
| 3 | 72315460 | 1 | SOCKET HEAD BOLT | DIN 912 M6X16-8.8 |
| 4 | 72436872 | 1 | TRANSMITTER ENGINE SPEED EDC | |
| 5 | 72495289 | 1 | RETAINER | |
| 6 | 72455561 | 1 | RETAINING STRAP | |

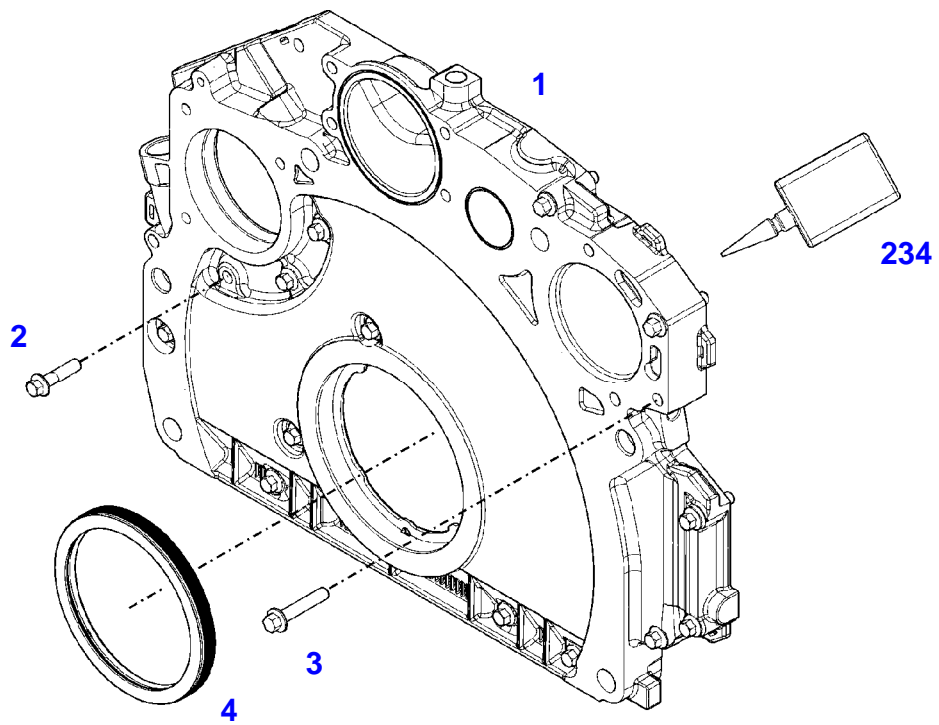
FENDT 312 VARIO SCR (325/00101-99999)
41437



041437

| Item | Part Number | Qty | Description Comments | Technical Specification |
|------|-------------|-----|--------------------------------------|-------------------------|
| | | | ENGINE NUMBER --> 11427405 | |
| 1 | 72608902 | 1 | WHEEL BOX | |
| 2 | 72605244 | 12 | HEXAGONAL HEAD BOLT M8X35 | M8X35 |
| 3 | 72325388 | 9 | HEXAGONAL HEAD BOLT M8X45 | |
| 4 | 72479495 | 1 | SHAFT SEAL | |
| 234 | 72325408 | 1 | SEALING COMPOUND | |

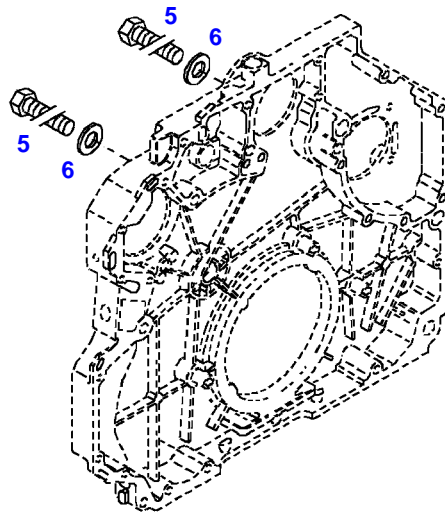
FENDT 312 VARIO SCR (325/00101-99999)
41437



041437

| Item | Part Number | Qty | Description Comments | Technical Specification |
|------|-------------|-----|--|-------------------------|
| | | | ENGINE NUMBER <-- 11427406 | |
| 1 | 72608902 | 1 | WHEEL BOX | |
| 2 | 72605244 | 12 | HEXAGONAL HEAD BOLT M8X35 | M8X35 |
| 3 | 72325388 | 9 | HEXAGONAL HEAD BOLT M8X45 | |
| 4 | 72479495 | 1 | SHAFT SEAL | |
| 234 | 72325408 | 1 | SEALING COMPOUND | |

FENDT 312 VARIO SCR (325/00101-99999)
35322



035322

Thank you so much for reading.
Please click the “Buy Now!”
button below to download the
complete manual.



After you pay.

You can download the most
perfect and complete manual in
the world immediately.

Our support email:

ebooklibonline@outlook.com